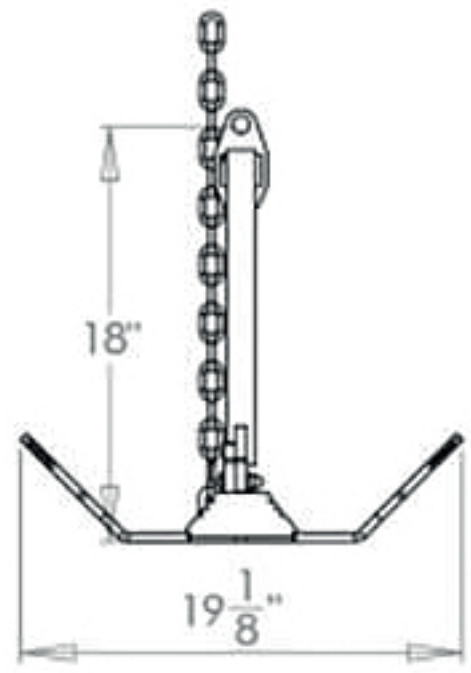
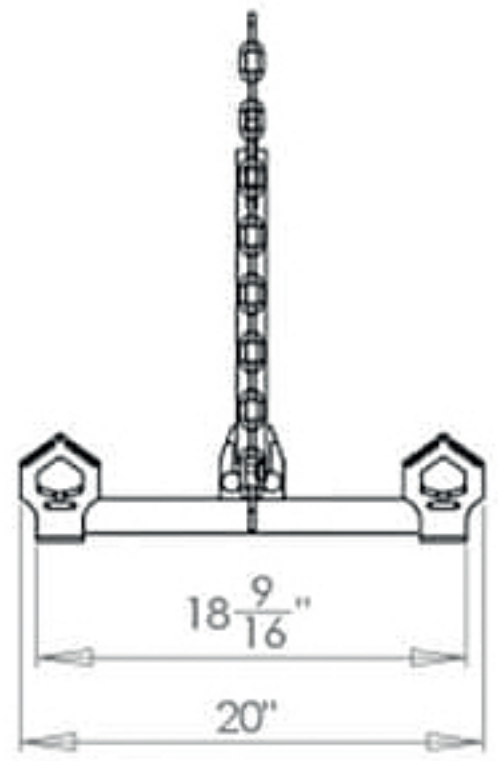


| REV. | DESCRIPTION | DATE | APPROVED |
|------|-------------|------|----------|
|------|-------------|------|----------|



**Weight: 26.19 Pounds**

5

4

3

2

1

|  |   |                              |
|--|---|------------------------------|
| DRAWN BY: <b>BW</b><br>DATE: <b>6/22/2015</b><br>UNLESS OTHERWISE SPECIFIED:<br>DIMENSIONS ARE IN INCHES<br>TOLERANCES:<br>FRACTIONAL: 1/16"<br>ANGULAR: MACH: 0.25° BEND: 1.5°<br>TWO PLACE DECIMAL: ± 0.020"<br>THREE PLACE DECIMAL: ± 0.005"<br>MATERIAL: 3/8<br>DO NOT SCALE DRAWING | <b>Inventive LLC</b><br>In The Ditch Towing Products<br>DESCRIPTION <b>26lb Fixed Anchor Assembly</b><br>SIZE PART NO. <b>A ITD5030</b><br>SHEET SCALE 1:10 | REV <b>1</b><br>SHEET 1 of 2 |
|--|---|------------------------------|