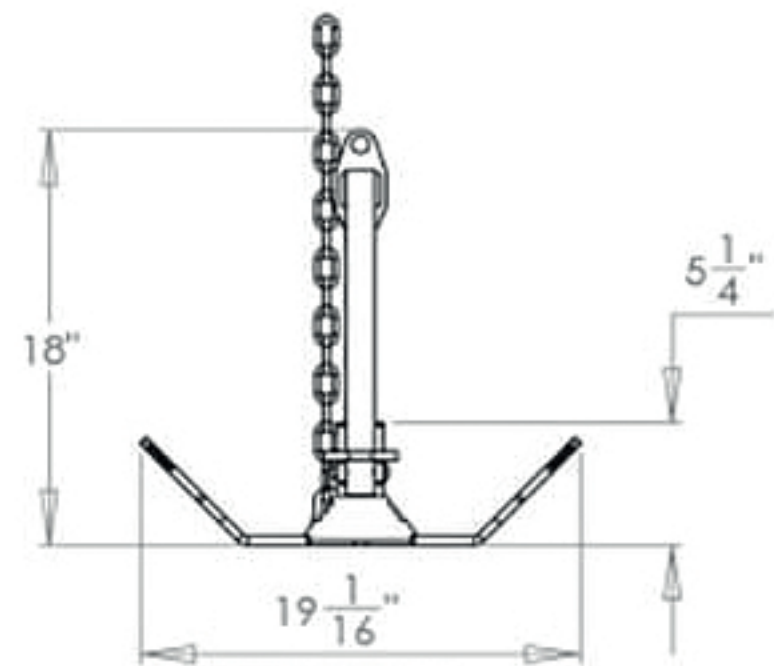
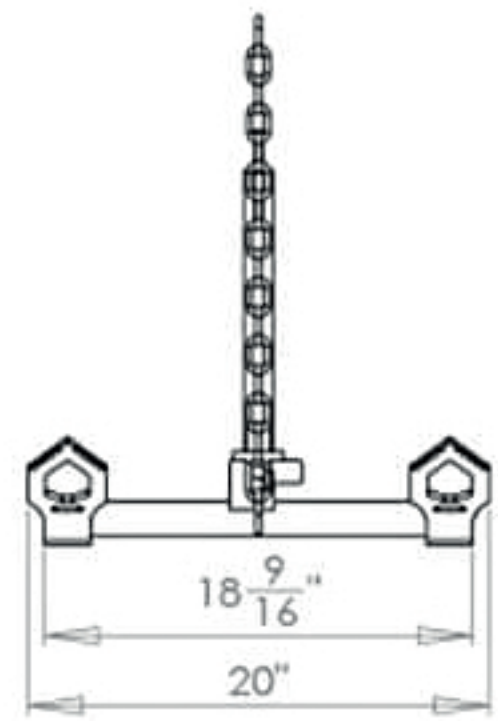


REV.	DESCRIPTION	DATE	APPROVED
------	-------------	------	----------



**Weight: 26.78 Pounds**

DRAWN BY: <b>BW</b> DATE: <b>7/16/2015</b> UNLESS OTHERWISE SPECIFIED: DIMENSIONS ARE IN INCHES TOLERANCES: FRACTIONAL: 1/16" ANGULAR: MACH: 0.25° BEND: 1.5° TWO PLACE DECIMAL: 0.020" THREE PLACE DECIMAL: 0.005" MATERIAL: 3/8 DO NOT SCALE DRAWING	<b>Inventive LLC</b> In The Ditch Towing Products DESCRIPTION: <b>26lb Folding Anchor Assembly</b> SIZE PART NO.: <b>A ITD5040</b> SHEET SCALE: 1:10	REV: <b>1</b> SHEET 1 of 2
--	--	-------------------------------

5 4 3 2 1