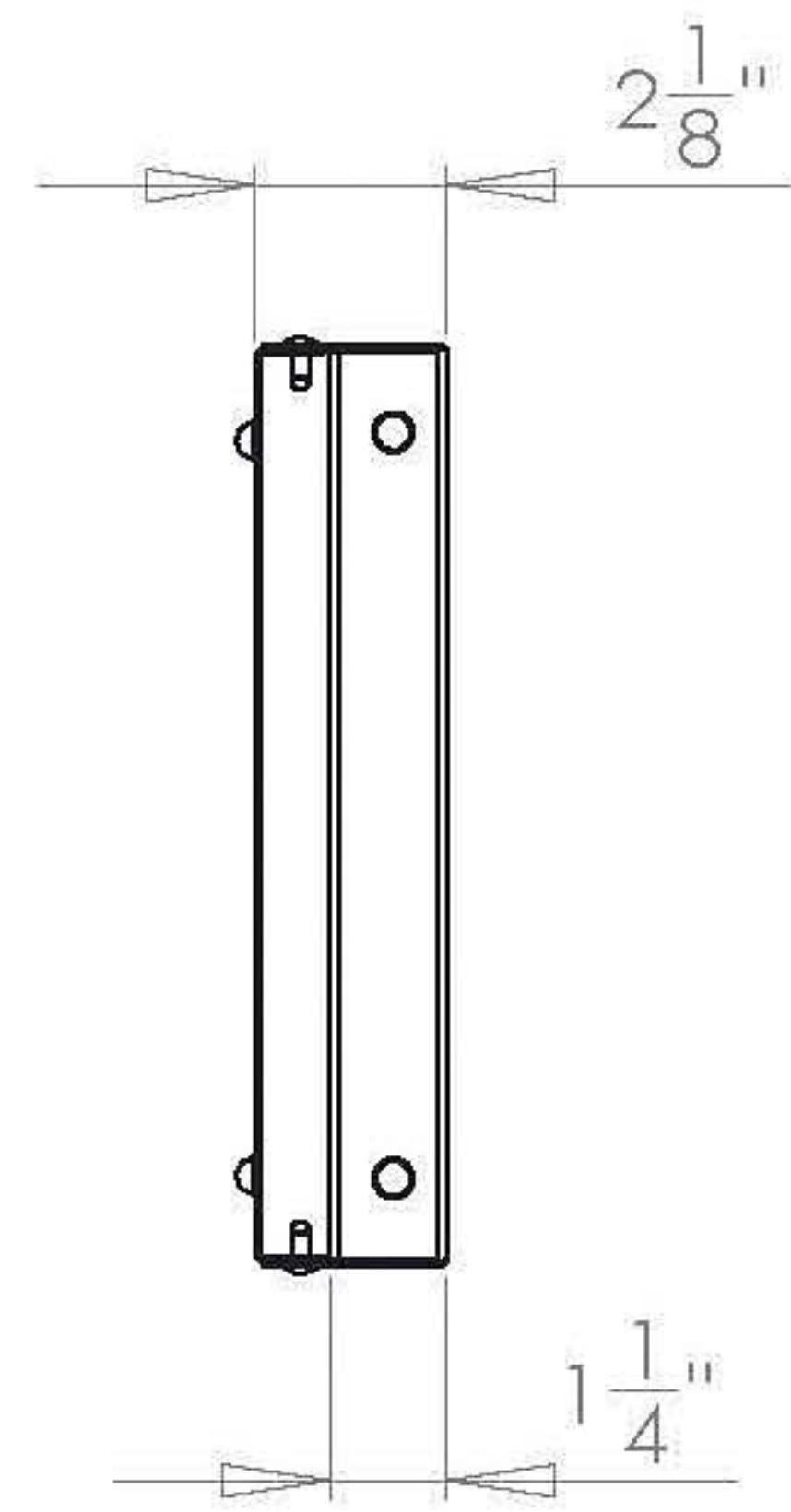
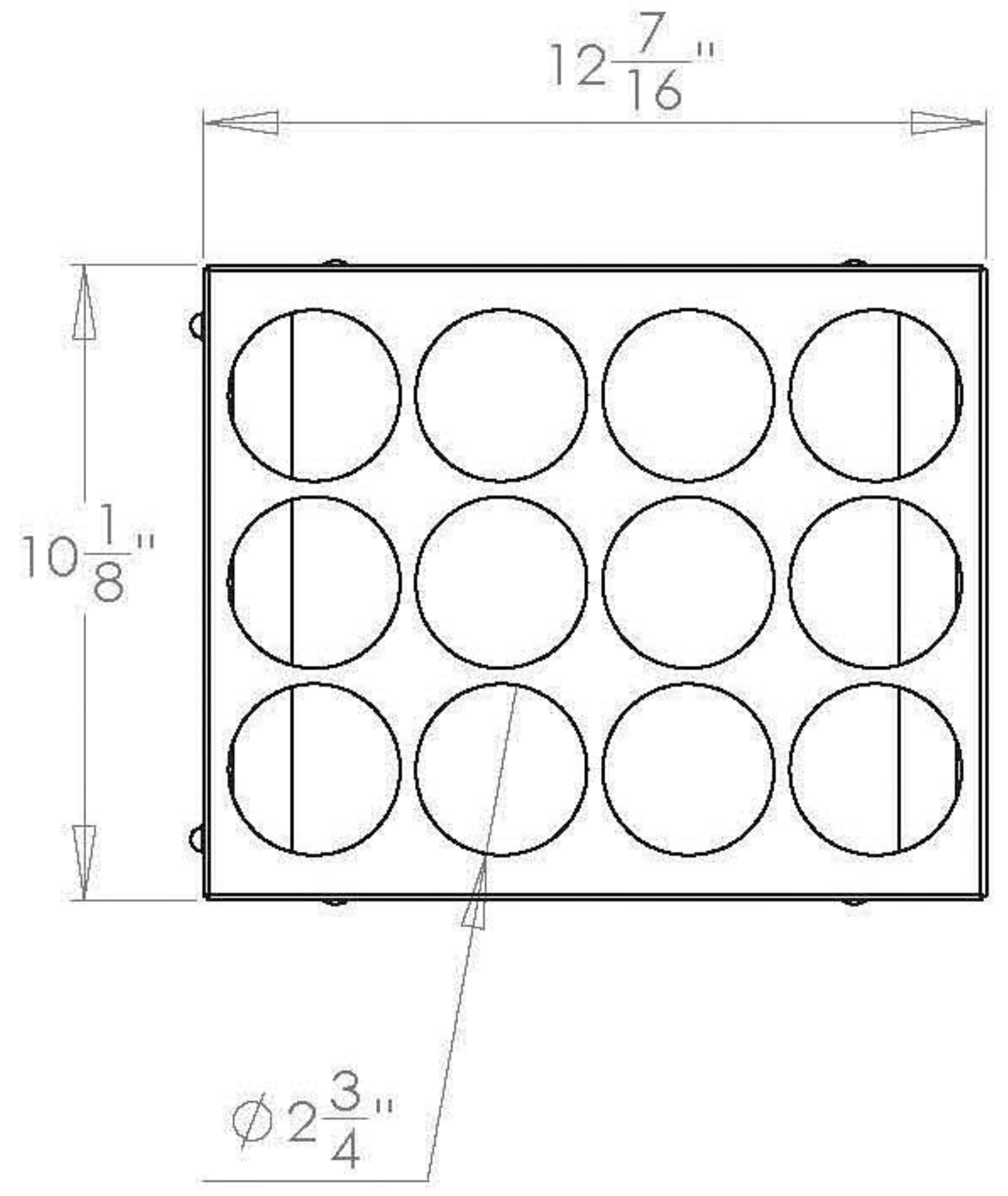
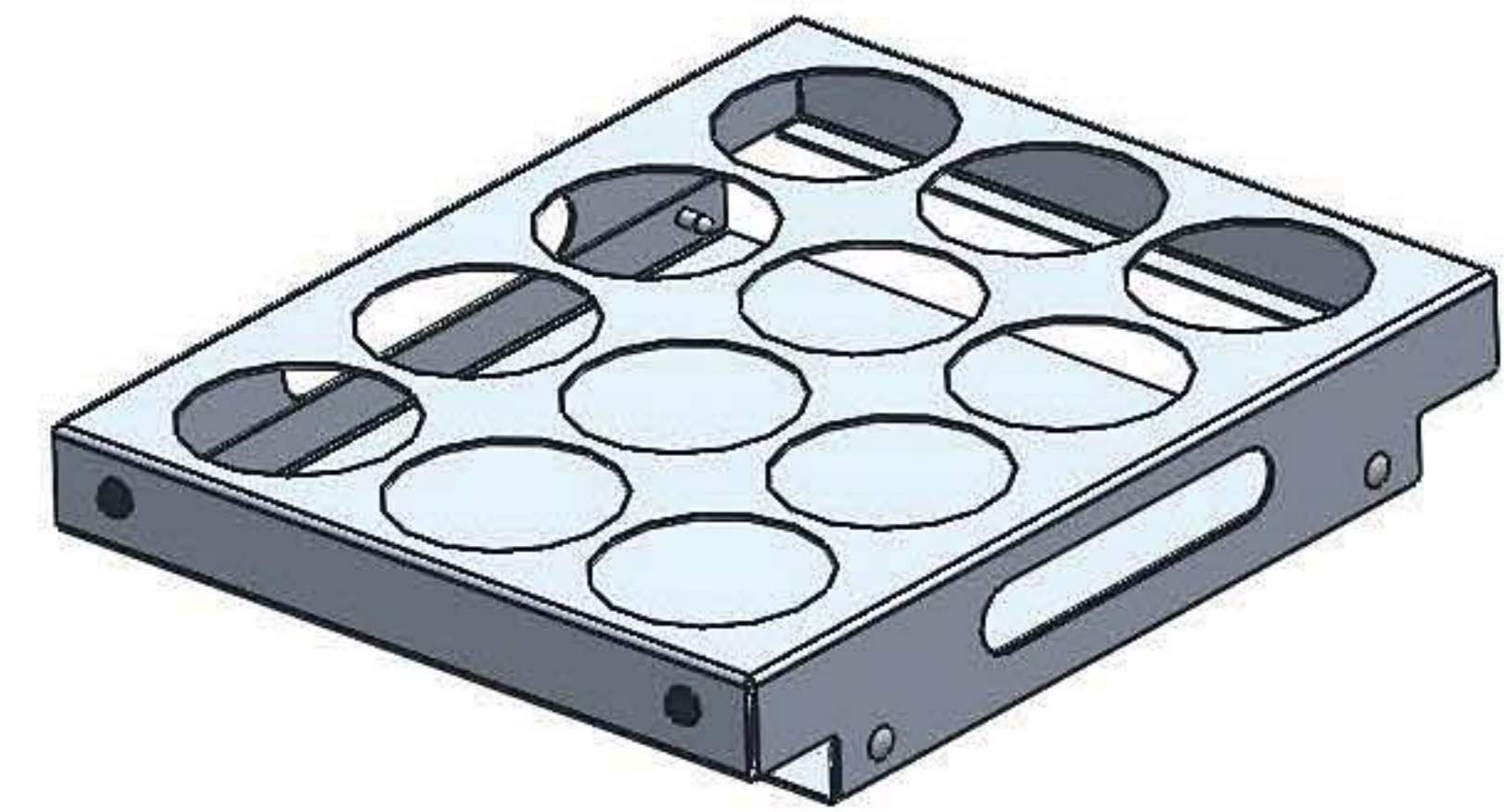
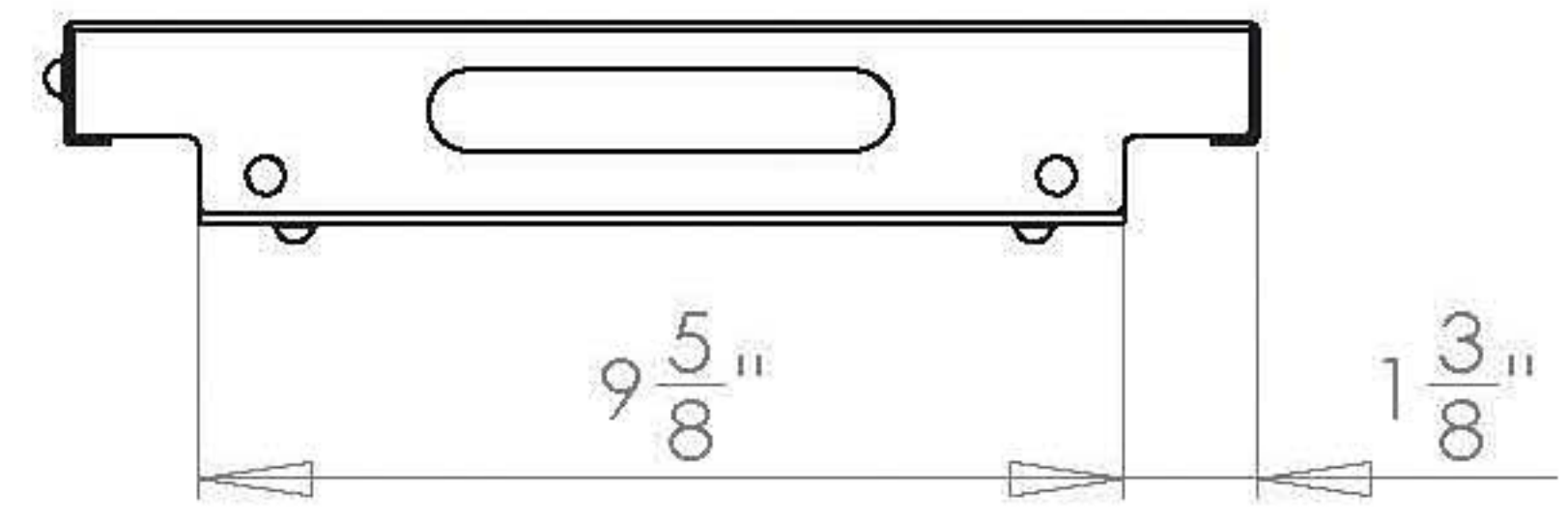


REV.	DESCRIPTION	DATE	APPROVED
------	-------------	------	----------



**1.8 lbs**

DRAWN BY: <b>KSD</b> DRAWN DATE: <b>8/26/2013</b> UNLESS OTHERWISE SPECIFIED: DIMENSIONS ARE IN INCHES TOLERANCES: FRACTIONAL ± 1/16" ANGULAR: MACH ± 0.25° BEND ± 1.5° TWO PLACE DECIMAL ± 0.020" THREE PLACE DECIMAL ± 0.005" MATERIAL: Aluminum DO NOT SCALE DRAWING	<b>Inventive LLC</b> In The Ditch Towing Products DESCRIPTION <b>12 Pack Drink Rack</b> SIZE PART NO. <b>A</b> <b>ITD5070</b> SHEET SCALE 1:5	REV <b>00</b> SHEET 1 of 4
---	---	-------------------------------

5 4 3 2 1