



**FISH FIGHTER**<sup>™</sup>  
Products

**TACKLE  
TRAYS**



# RELENTLESS SERIES™ TACKLE TRAYS

PART #	DESCRIPTION	DIMENSION
ITD5385	Relentless Series™ Tackle Tray 4" X 10"	5" x 11" x 6 13/16" OD 4" x 10" ID
ITD5370	Relentless Series™ Tackle Tray 4" X 16"	5" x 17" x 6 13/16" OD 4" x 16" ID
ITD5373	Relentless Series™ Tackle Tray 6" X 10"	7" x 11" x 6 13/16" OD 6" x 10" ID
ITD5358	Relentless Series™ Tackle Tray 6" X 16"	7" x 17" x 6 13/16" OD 6" x 16" ID
ITD5387	Relentless Series™ Tackle Tray 8" X 10"	9" x 11" x 6 13/16" OD 8" x 10" ID
ITD5372	Relentless Series™ Tackle Tray 8" X 16"	9" x 17" x 6 13/16" OD 8" x 16" ID
ITD5374	Relentless Series™ Angled Tackle Tray 16" Long	4 3/8" x 17" x 5 3/4" OD 3 1/4" x 16" Top Opening ID

## ITD5385



Comes with  
(3) Aluminum  
Dividers

## ITD5370



Comes with  
(5) Aluminum  
Dividers

## ITD5373



Comes with  
(3) Aluminum  
Dividers

## ITD5358



Comes with  
(5) Aluminum  
Dividers

## ITD5387



Comes with  
(3) Aluminum  
Dividers

## ITD5372



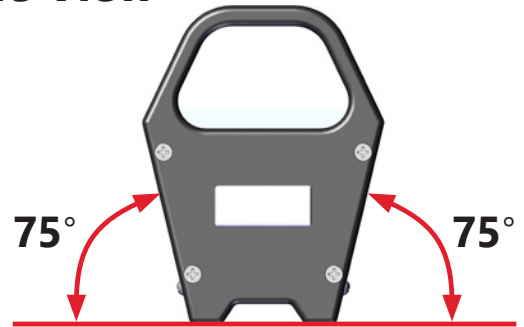
Comes with  
(5) Aluminum  
Dividers

## ITD5374



Comes with  
(5) Aluminum  
Dividers

## Side View



## Divider Installation

**Models:** (ITD5564) Relentless Series™ Tackle Tray 4 X 16,  
(ITD5564) Relentless Series™ Tackle Tray 4 X 16,  
(ITD5565) Relentless Series™ Tackle Tray 6 X 10,  
(ITD5565) Relentless Series™ Tackle Tray 6 X 16,  
(ITD5565) Relentless Series™ Tackle Tray 8 X 10,  
(ITD5565) Relentless Series™ Tackle Tray 8 X 16

1. Rotate the Relentless Series™ Tackle Tray upside down
2. Remove the screws holding the aluminum to remove the bottom
3. Slide your Tackle Dividers into your choice of the provided divider slots
4. Replace the bottom and screws to lock your Tackle Dividers into place

See Fig 1-1

**Model:** (ITD5374) Relentless Series™ Angled Tackle Tray

1. Rotate the Relentless Series™ Tackle Tray on it's side
2. Remove the screws holding the aluminum to remove the bottom
2. Remove the screws, and one side of of the tray
3. Slide your Tackle Dividers in your choice of the provided divider slots
4. Replace the side panel, positioning the Dividers in corresponding divider slots
5. Replace the bottom in position. This will lock your Tackle Dividers in place

See Fig 1-2

Fig 1-1

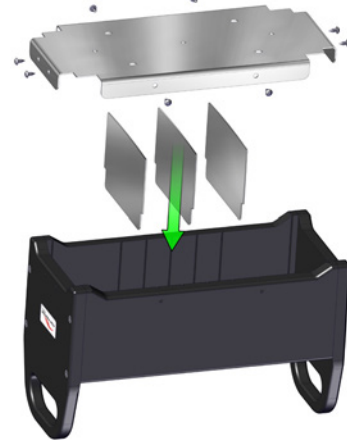
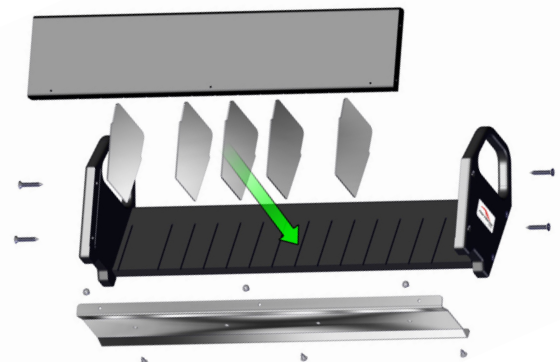


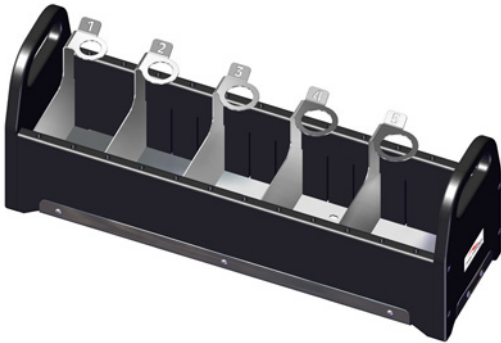
Fig 1-2



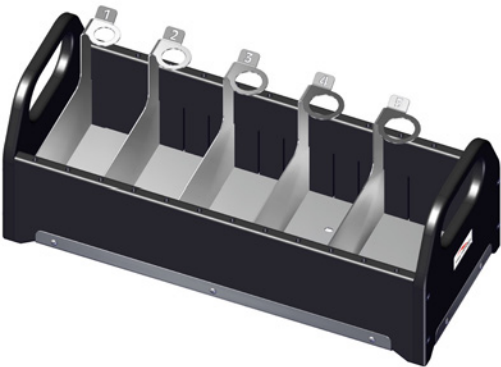
# RELENTLESS SERIES™ SINKER TRAYS

PART #	DESCRIPTION	DIMENSIONS
ITD5564	Relentless Series™ Sinker Tray 4 X 16	5" x 17" x 6 13/16" OD 4" x 16" ID
ITD5565	Relentless Series™ Sinker Tray 6 X 16	7" x 17" x 6 13/16" OD 6" x 16" ID
ITD5566	Relentless Series™ Sinker Tray Angled	4 3/8" x 17" x 5 3/4" OD 3 1/4" x 16" Top Opening ID

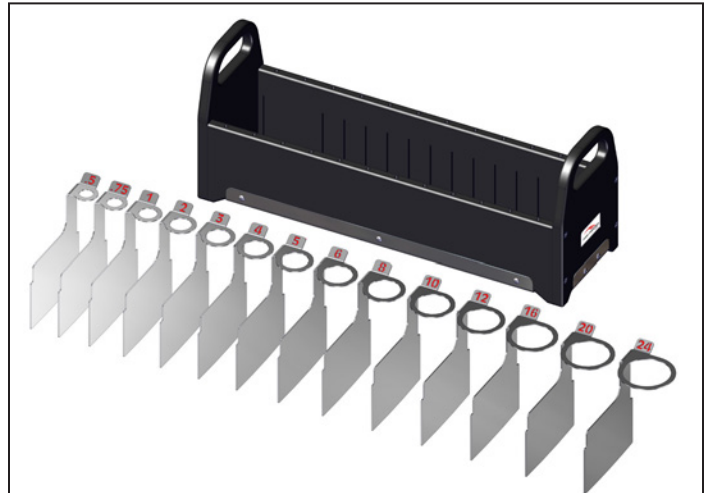
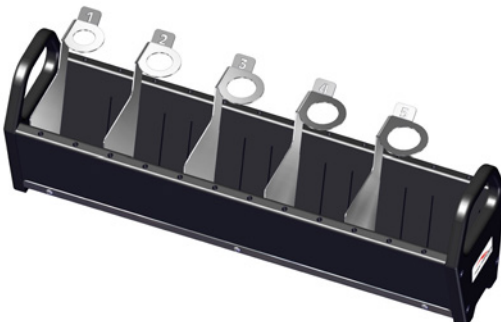
## ITD5564



## ITD5565



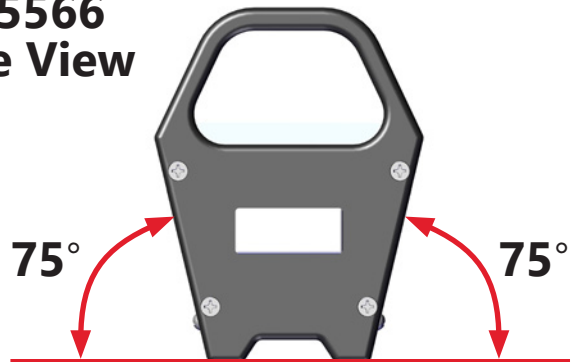
## ITD5566



Each Sinker tray includes (14) stainless steel dividers with sinker size gauges from 0.5 oz to 24 oz.

Sizes include: 0.5-0.75-1-2-3-4-5-6-8-10-12-16-20-24 oz

## ITD5566 Side View

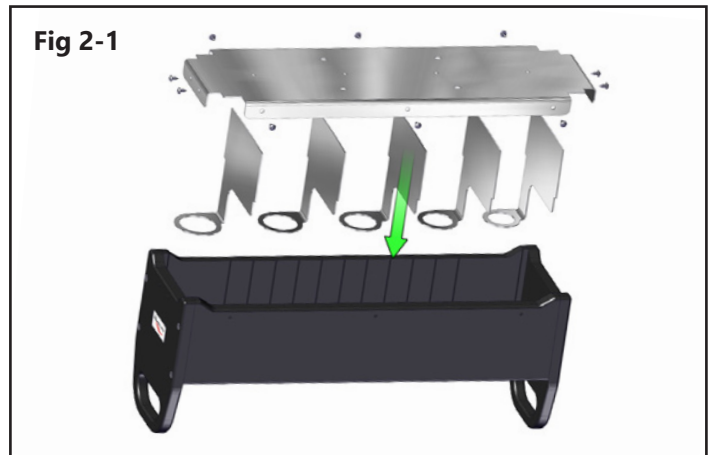


## Sinker Sizing Divider Installation

**Models: (ITD5564) Relentless Series™ Sinker Tray 4 X 16, (ITD5565) Relentless Series™ Sinker Tray 6 X 16**

1. Rotate the Relentless Series™ Sinker Tray upside down
2. Remove the screws holding the aluminum to remove the bottom
3. Slide your Sinker Sizing Dividers into your choice of the provided divider slots
4. Replace the bottom and screws to lock your Sinker Sizing Dividers into place

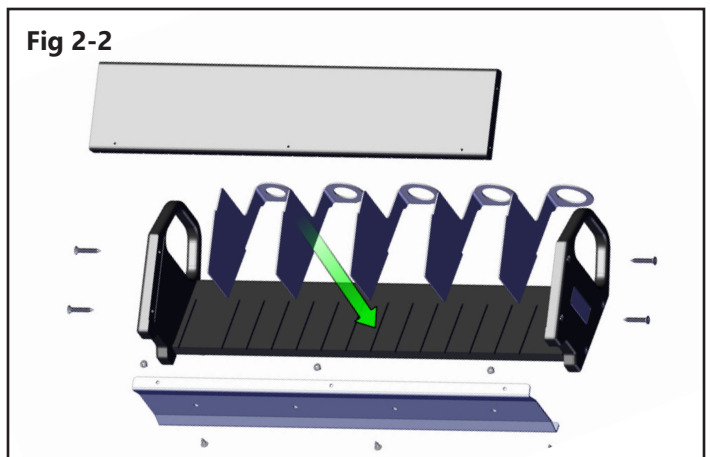
See Fig 2-1



**Model: (ITD5566) Relentless Series™ Sinker Tray Angled**

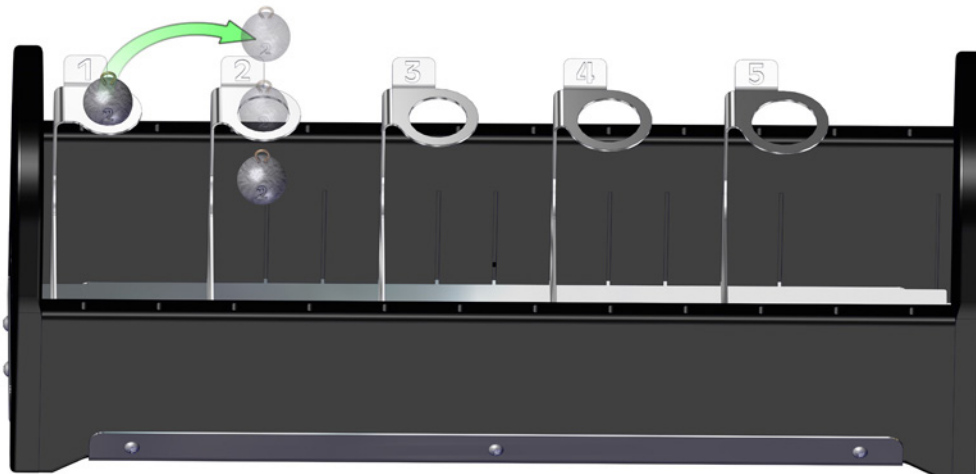
1. Rotate the Relentless Series™ Sinker Tray on it's side
2. Remove the screws holding the aluminum to remove the bottom
2. Remove the screws, and one side of of the tray
3. Slide your Sinker Sizing Dividers in your choice of the provided divider slots
4. Replace the side panel, positioning the Dividers in corresponding divider slots
5. Replace the bottom in position. This will lock your Sinker Sizing Dividers in place

See Fig 2-2



## Using Sinker Sizing Dividers

We developed our Fish Fighter™ Sinker Trays out of frustration from not being able to keep our round cannonball sinkers organized. It seems that with just a few uses, the numbers on the sinker disappears and it's hard to tell if you have a 5 oz or 6 oz sinker in your hand. With our Sinker Tray and Sinker Divider/Gauge you find the hole that closest fits your sinker and just drop it into the bin, it's that simple.

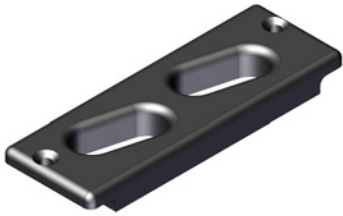




# PLIER HOLDERS

PART #	DESCRIPTION	DIMENSIONS
ITD5381	Plier Holder for 4" Wide Storage Tray	5" x 1 3/4" x 1/2"
ITD5383	Plier Holder for 6" Wide Storage Tray	7" x 1 3/4" x 1/2"
ITD5384	Plier Holder for 8" Wide Storage Tray	9" x 1 3/4" x 1/2"

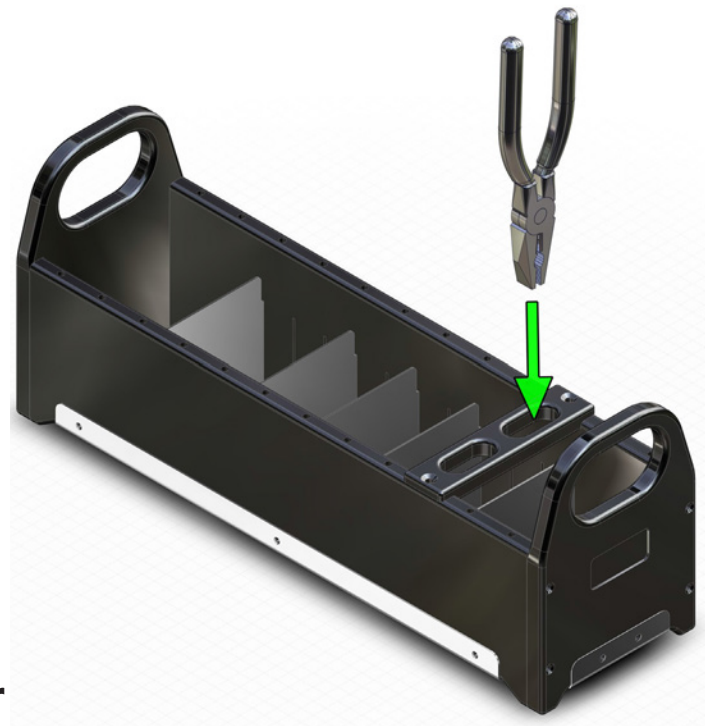
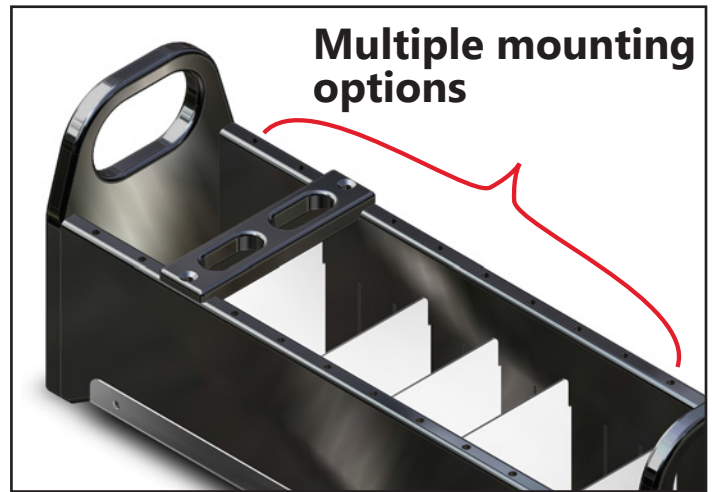
**ITD5381**



**ITD5383**

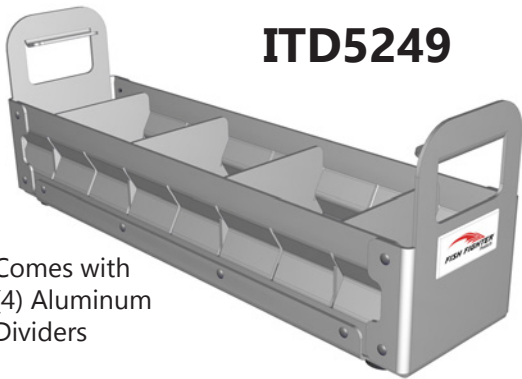


**ITD5384**



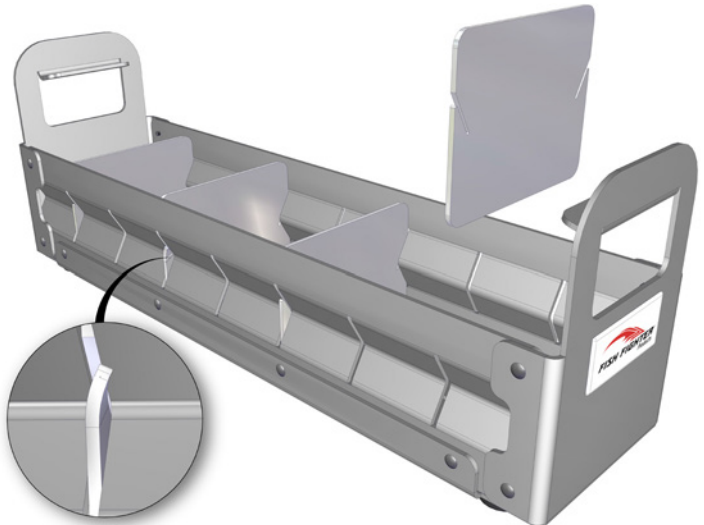
## ***SPORTSMAN'S UTILITY TRAYS***

PART #	DESCRIPTION	DIMENSIONS
<b>ITD5249</b>	<b>Sportsman's Series™ Utility Tray 4" X 16"</b>	<b>4 3/16" x 16 1/4" x 5 15/16" OD 4" x 16" ID</b>
<b>ITD5516</b>	<b>Sportsman's Series™ Utility Tray 5 1/2" X 16"</b>	<b>5 7/16" x 16 1/4" x 6 7/16" OD 5 1/2" x 16" ID</b>
<b>ITD5523</b>	<b>Sportsman's Series™ Utility Tray 8" X 16"</b>	<b>7 7/16" x 16 1/4" x 6 7/16" OD 8" x 16" ID</b>



Comes with  
(4) Aluminum  
Dividers

Place the aluminum dividers into the divider slots.



Comes with  
(4) Aluminum  
Dividers

Bend over divider tab to lock divider into place.



Comes with  
(4) Aluminum  
Dividers