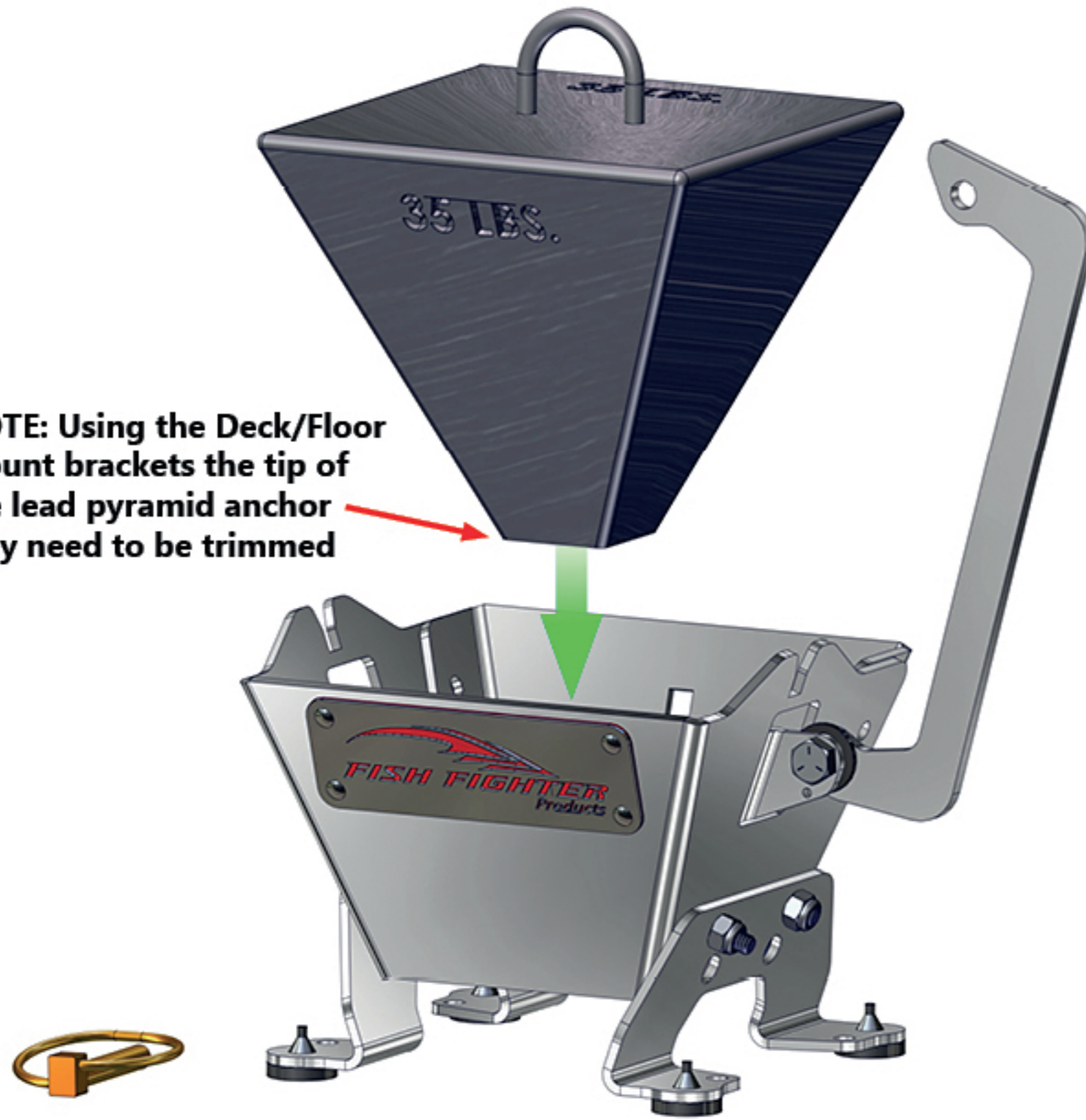


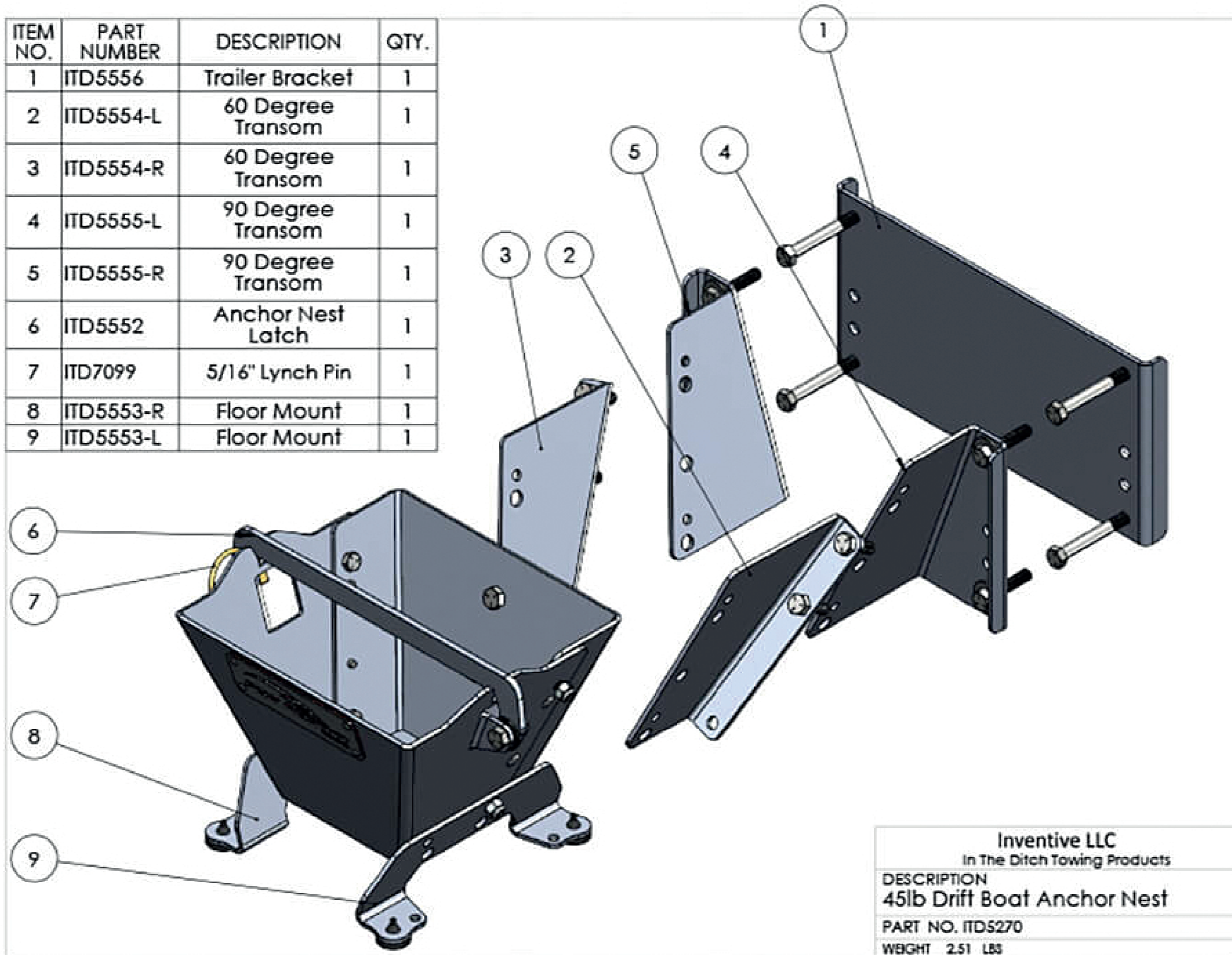
NOTE: Using the Deck/Floor mount brackets the tip of the lead pyramid anchor may need to be trimmed



ITD5210 Drift Boat Anchor Nest for 10-20lb pyramid anchors will fit 25 and 35lb lead anchors



ITEM NO.	PART NUMBER	DESCRIPTION	QTY.
1	ITD5556	Trailer Bracket	1
2	ITD5554-L	60 Degree Transom	1
3	ITD5554-R	60 Degree Transom	1
4	ITD5555-L	90 Degree Transom	1
5	ITD5555-R	90 Degree Transom	1
6	ITD5552	Anchor Nest Latch	1
7	ITD7099	5/16" Lynch Pin	1
8	ITD5553-R	Floor Mount	1
9	ITD5553-L	Floor Mount	1



Inventive LLC
 In The Ditch Towing Products
 DESCRIPTION
45lb Drift Boat Anchor Nest
 PART NO. ITD5270
 WEIGHT 2.51 LBS