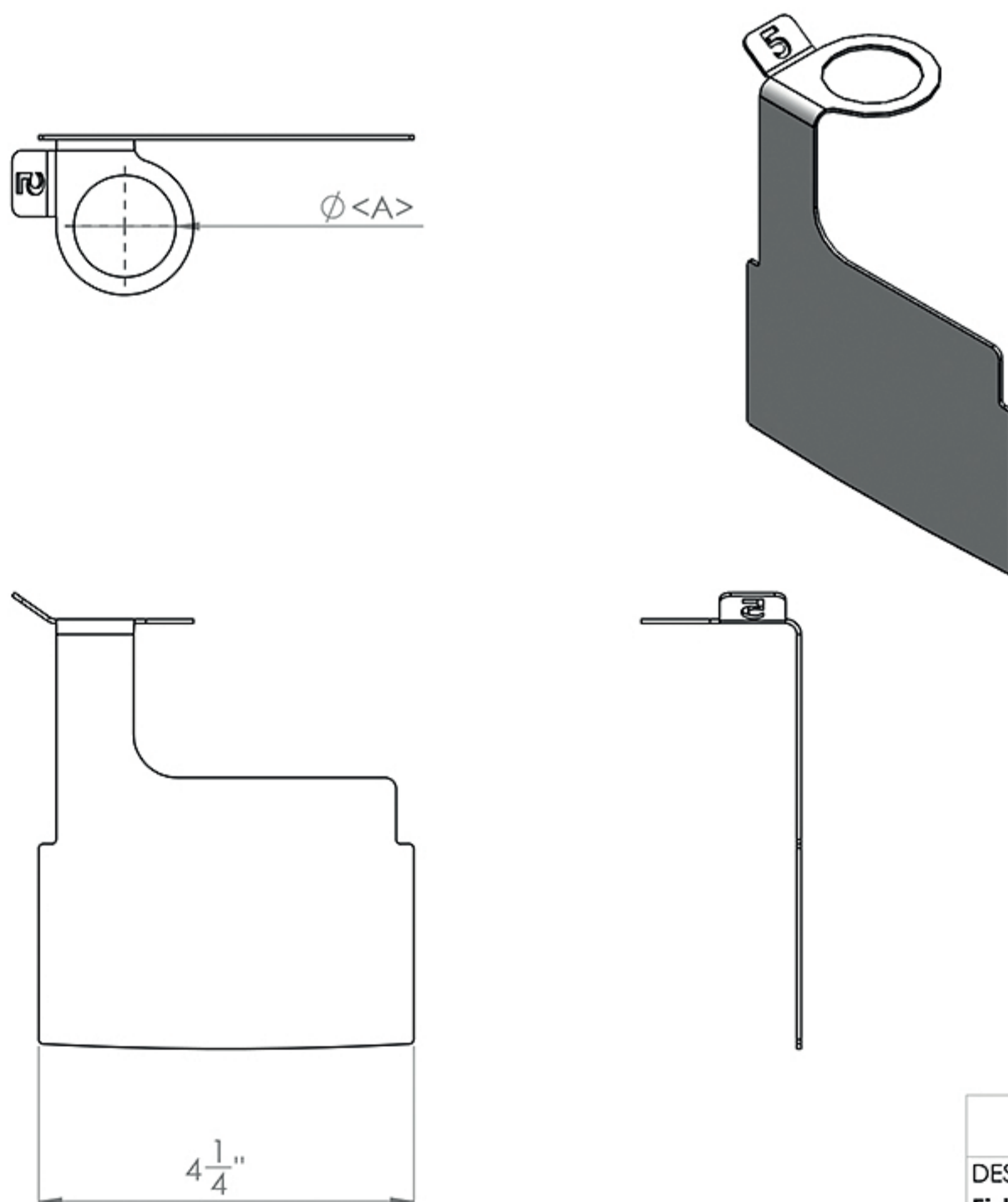


| | |
|--|--|
| Inventive LLC In The Ditch Towing Products | |
| DESCRIPTION 4" X 16" Sinker Tray | |
| PART NO. ITD5564 | |
| WEIGHT SW-Mass LBS | |

Fish Fighter Sinker sizing Divider Kit 4" wide Tray



| Part # | A |
|------------|--------|
| ITD5412-01 | .5 oz |
| ITD5413-01 | .75 oz |
| ITD5414-01 | 1. oz |
| ITD5416-01 | 2 oz |
| ITD5417-01 | 3 oz |
| ITD5418-01 | 4 oz |
| ITD5419-01 | 5 oz |
| ITD5420-01 | 6 oz |
| ITD5421 | 8 oz |
| ITD5422 | 10 oz |
| ITD5423 | 12 oz |
| ITD5424 | 16 oz |
| ITD5425 | 20 oz |
| ITD5426 | 24 oz |

| | |
|---|--|
| Inventive LLC In The Ditch Towing Products | |
| DESCRIPTION Fish Fighter Sinker sizing Divider Kit 4" wide Tray | |
| PART NO. ITD5567 | |
| WEIGHT 0.21 LBS | |