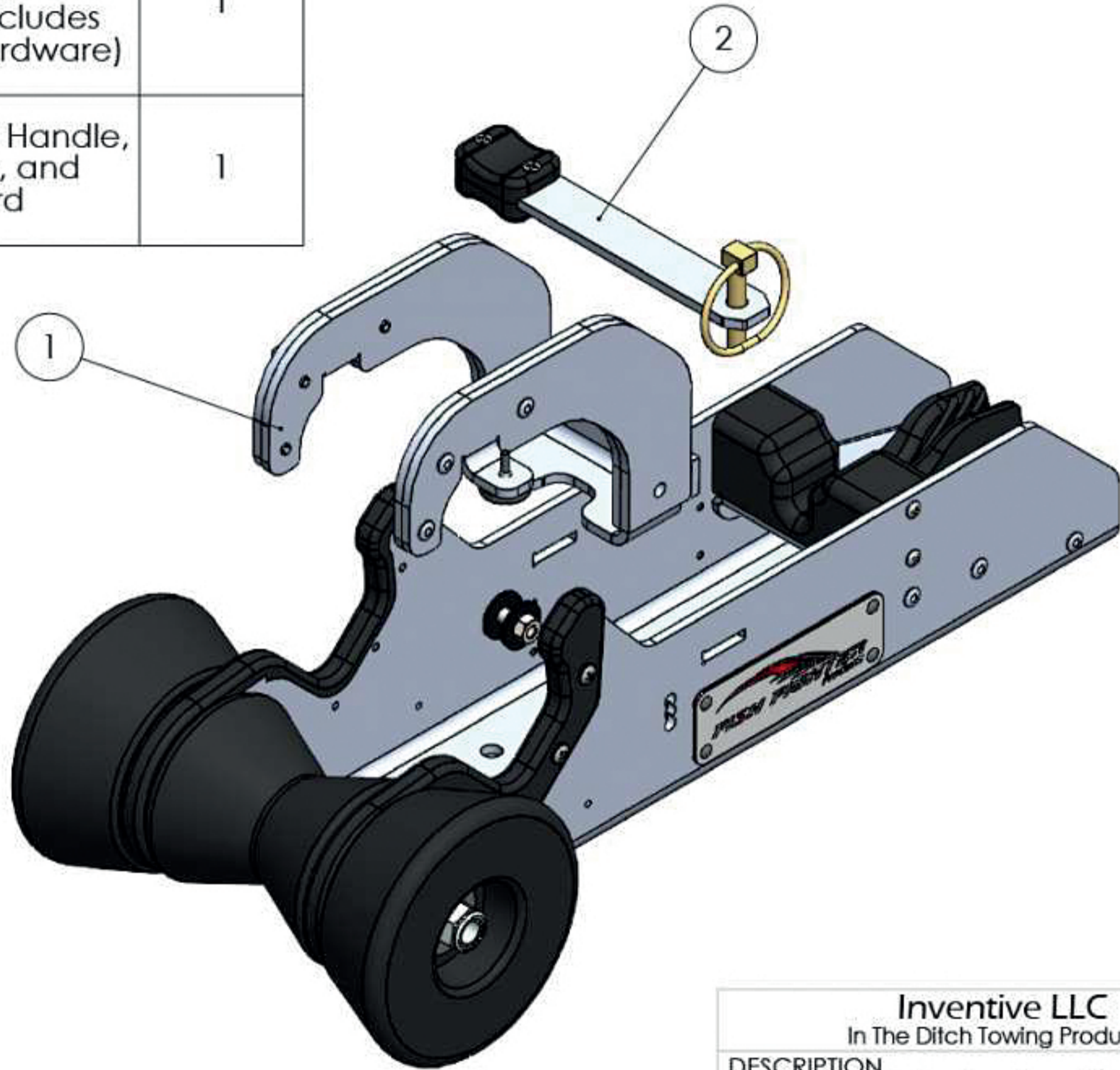


ITEM NO.	PART NUMBER	DESCRIPTION	QTY.
1	ITD5573	Anchor Latch with rubber bumpers(includes Mounting Hardware)	1
2	ITD5574	Lock Bar with Handle, Lynch clip, and Lanyard	1



Inventive LLC In The Ditch Towing Products
DESCRIPTION eXtreme Duty Anchor Nest
PART NO. ITD5690
WEIGHT 8.99 LBS