

4

3

2

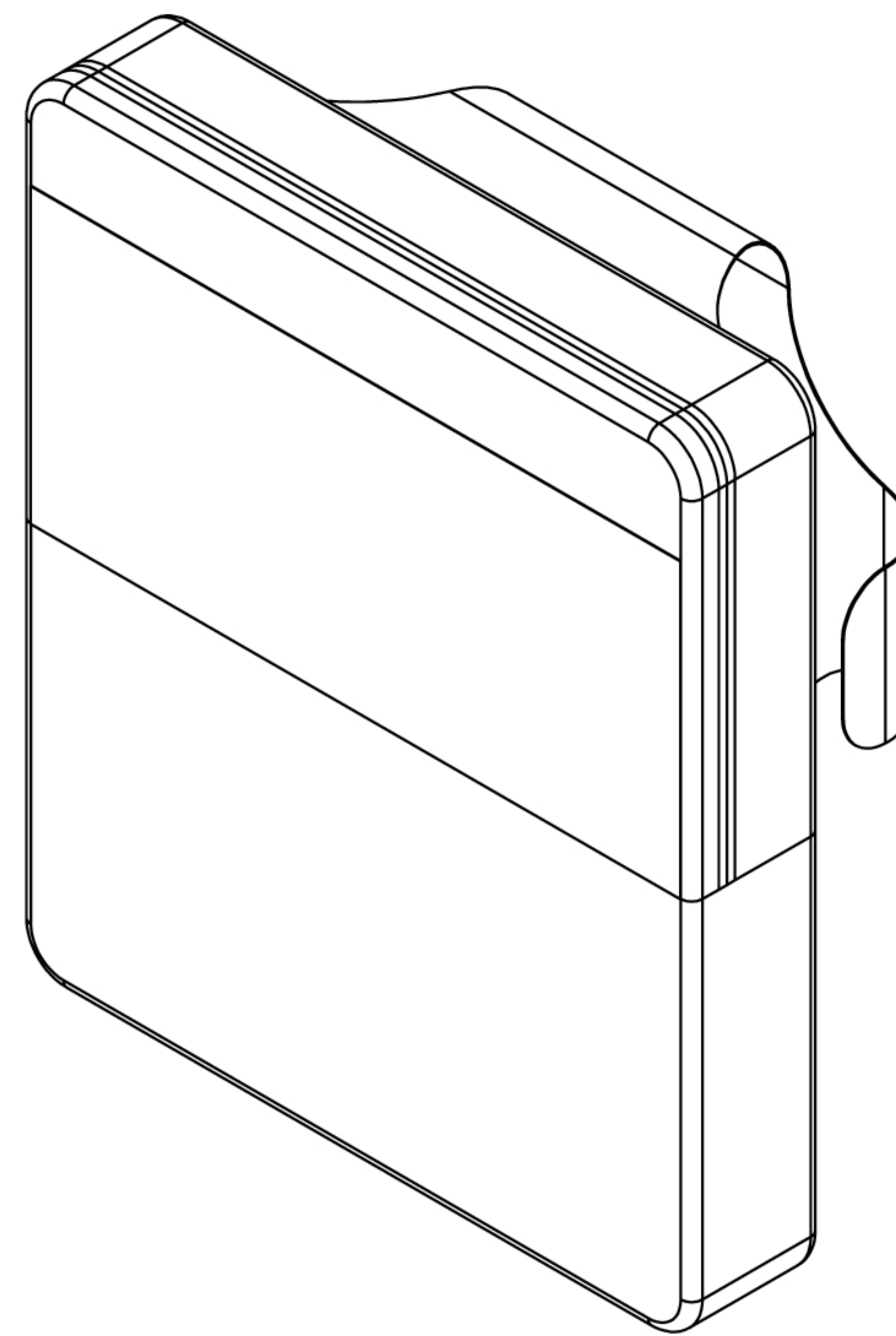
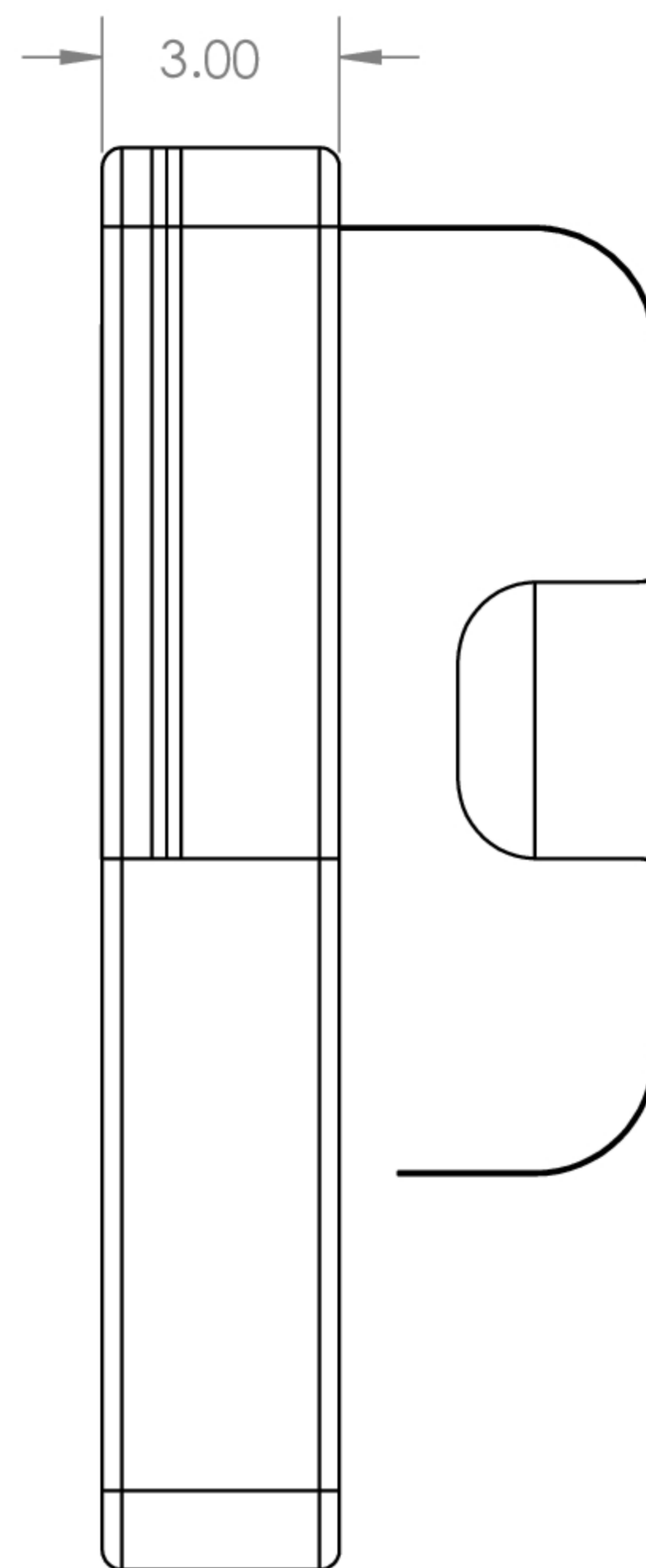
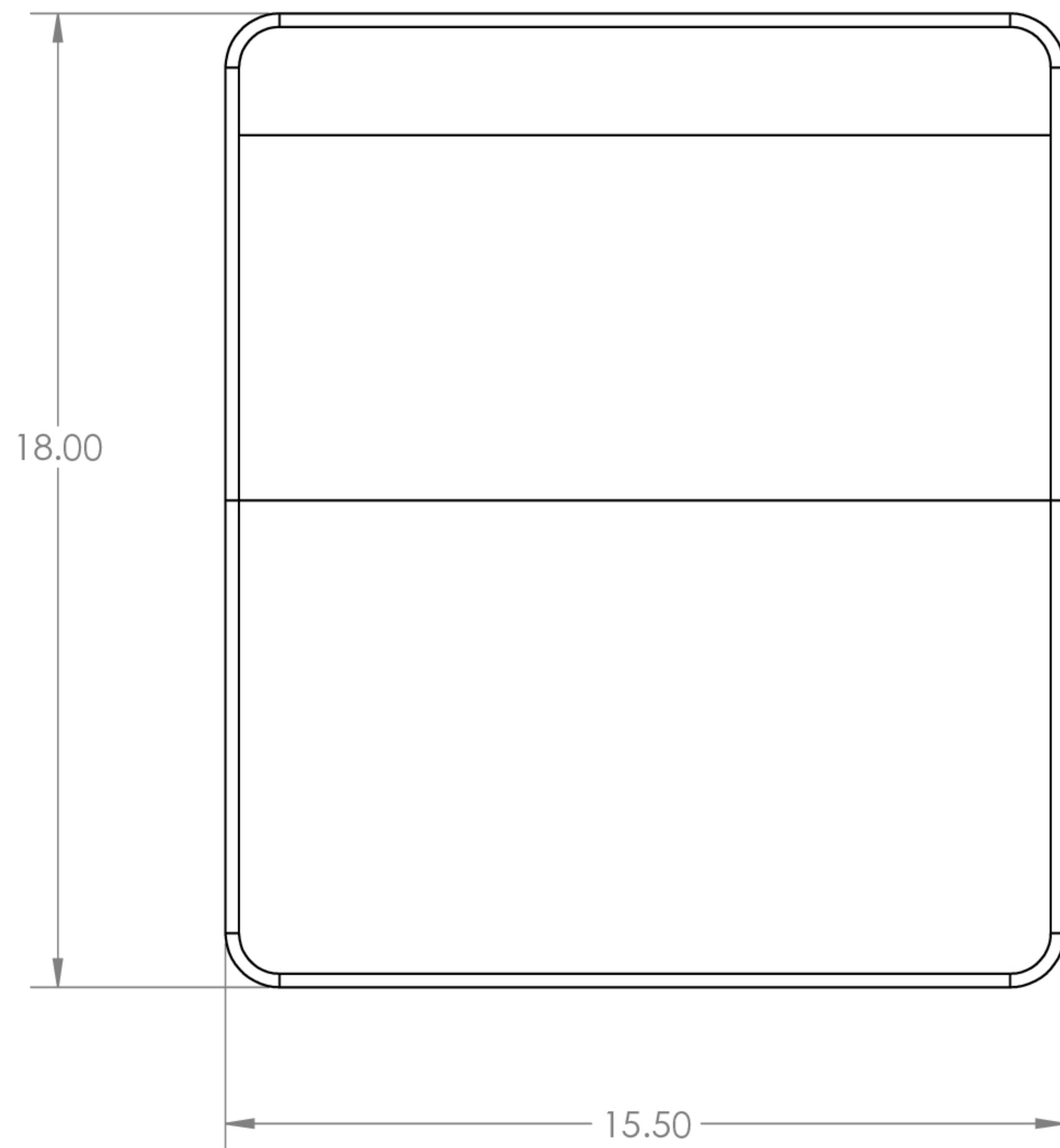
1

B

B

A

A



UNLESS OTHERWISE SPECIFIED:		NAME	DATE		
DIMENSIONS ARE IN INCHES TOLERANCES: ANGULAR: MACH 0.25 FRACTIONAL 1/16" TWO PLACE DECIMAL 0.01" THREE PLACE DECIMAL 0.005"		DRAWN			
		ENG APPR.		TITLE: BOAT SEAT BACKPACK	
		COMMENTS:			
		PROPRIETARY AND CONFIDENTIAL THE INFORMATION CONTAINED IN THIS DRAWING IS THE SOLE PROPERTY OF INVENTIVE GROUP LLC. ANY REPRODUCTION IN PART OR AS A WHOLE WITHOUT THE WRITTEN PERMISSION OF INVENTIVE GROUP LLC. IS PROHIBITED.			
MATERIAL		SIZE	PART NUMBER:	REV	
FINISH		B	ITD5870		
DO NOT SCALE DRAWING		SCALE: 1:8	WEIGHT: lbs	SHEET 1 OF 1	

4

3

2

1