



Rule Bilge Pumps

NEW

360-1100 GPH SUBMERSIBLE BILGE PUMPS

Our bilge pumps provide ultimate pumping performance, which helps keep your bilge clear of nuisance water, building on the genuine Rule design.

Rigorous engineering and testing helped generate the new series of bilge pumps. Our pumps are tested to the highest standard, achieving rated performance at 12V vs. 13.6V, resulting in higher flow with better efficiency for the toughest applications.

Our new designs include:

- **Higher Flow** - optimized impeller to provide greater flow at the same amperage
- **Built-in Thermal Cut-Off (TCO)** - provides added protection for pump and vessel
- **Back Flow Prevention** - reduces the amount of water left over in the bilge, reducing odor and helping keep your bilge cleaner
- **Hidden Air Vents in the Body** - helps prevent air locking in challenging plumbing installations and helps with the check valve
- **Threaded Discharge** - easier installation, easier maintenance

Rule brand builds on over 50 years of operational excellence and application expertise with a broad range of solutions for the marine industry.



FLOJET®

rule
a xylem brand

Rule...The world's most trusted pumps

Rule Next Generation Bilge Pumps

Nominal GPH/LPH	Model No.	Volts	Amps @ 12V	Amps @ 13.6V	Ports	Check Valve	Hose Dia.	UPC
360 (1363)	24DA	12 DC	2.1 (12V)	2.4 (13.6V)	YES	YES	3/4" (19mm)	042237-104700
500 (1890)	25DA	12 DC	1.6 (12V)	1.8 (13.6V)	YES	YES	3/4" (19mm)	042237-104717
500 (1890)	25DA-24	24 DC	0.8 (24V)	0.9 (27.2V)	YES	YES	3/4" (19mm)	042237-104748
800 (3028)	20DA	12 DC	3.4 (12V)	4.3 (13.6V)	YES	YES	3/4" (19mm)	042237-104694
800 (3028)	20DA-24	24 DC	1.7 (24V)	2.2 (27.2V)	YES	YES	3/4" (19mm)	042237-104755
1100 (4164)	27DA	12 DC	3.7 (13.6V)	4.7 (13.6V)	YES	YES	1" (25mm) AND	042237-104724
1100 (4164)	27DA-24	24 DC	1.9 (13.6V)	2.4 (27.2V)	YES	YES	1-1/8" (29mm)	042237-104762

360/500 GPH
(1363/1893 LPH)

800/1100 GPH
(3028/4164 LPH)

* 3.9" (99mm)

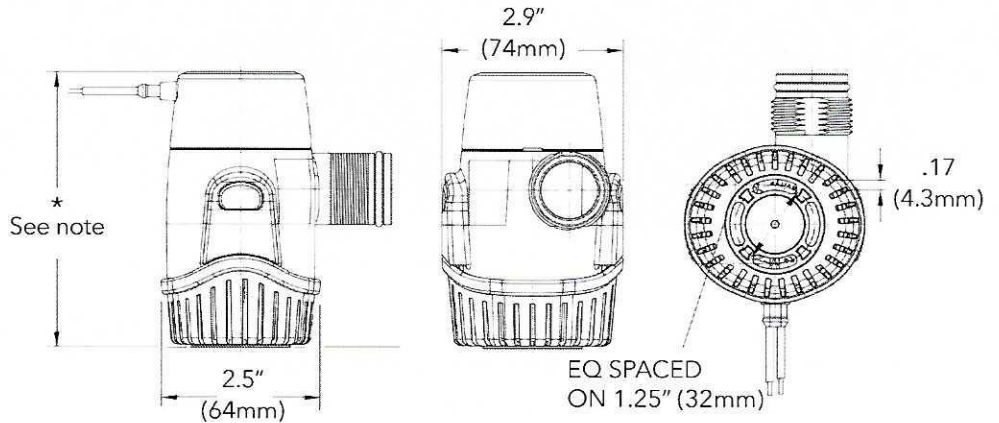
* 4.4" (111mm)

0.7 lbs (0.32kg)

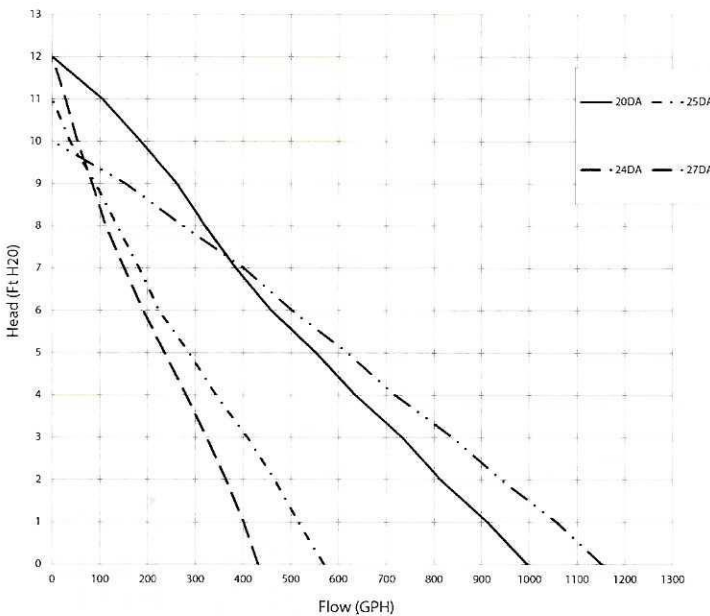
0.85 lbs (0.39kg)



Check Valve Included



Performance at Rated Voltage (12 or 24 Volts)



Extra Spare Parts

Description	Model No.
360/500 3/4" Barbed Port	1200R
360/500 3/4" Barbed Port 90 Degree	1201R
360/500 1" Barbed Port	1202R
800/1100 3/4" Barbed Port 90 Degree	1203R
800/1100 3/4" Barbed Port	1204R
800/1100 1" Barbed Port 90 Degree	1205R
800/1100 1" Barbed Port	1206R
800/1100 1-1/8" Barbed Port 90 Degree	1207R
800/1100 1-1/8" Barbed Port	1208R
360/500 3/4" Check Valve	1220R
800/1100 3/4" Check Valve	1221R
800/1100 1" Check Valve	1222R
800/1100 1-1/8" Check Valve	1223R

