

FULTON[®] BOAT GUIDE/ROLLER GUIDE INSTALLATION INSTRUCTIONS

Read, Understand, Follow and Save These Instructions

Read, understand and follow all of these instructions and warnings (Instructions) before installing and using this product. Install and use this product only as specified in these instructions. Improper installation or use of this product may result in property damage, serious injury, and/or death. Never allow installation or use of this product by anyone without providing them with these instructions. You must read, understand and follow all instructions and warnings for any product(s) to which this product is used in conjunction with or installed. Save these instructions with the product for use as a reference for any future installation and use of the product.

WARNING

Failure to follow these warnings and instructions may result in property damage, serious bodily injury, and/or death.

- Purchaser/owner must ensure that product is installed according to these instructions. Purchaser/owner must not alter or modify product.
- Operator and bystanders should never position any part of body under any portion of this product or the load being supported.
- Do not allow children to play on or around this product or the load being supported.
- Always replace bent, broken, or worn parts before using this product.
- Installation, use, and maintenance of these boat guides must conform to the following instructions only.

- Never come in contact with sharp corners and/or edges as serious injury and/or property damage may result.
- Before installing and/or using this boat guide system verify that none of the mounting hardware, brackets or the end of the mounting tube does not contact the underside of the boat when loading or unloading. NOTE: May not fit all trailers/boats setups.

- When choosing mounting location do not mount directly behind tail lights or in an area that obstructs the view of the lights from behind or side of trailer.
- The boat must be centered and square on the trailer to properly install, locate, and adjust the boat guides.
- Check the hardware for proper tightness every time trailer will be in use. Tighten if necessary.
- Using boat guides as bumpers for loading boat could damage these products. These are only intended as guides.

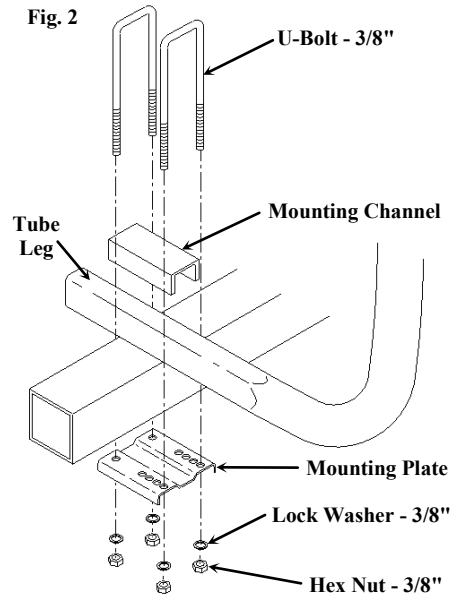
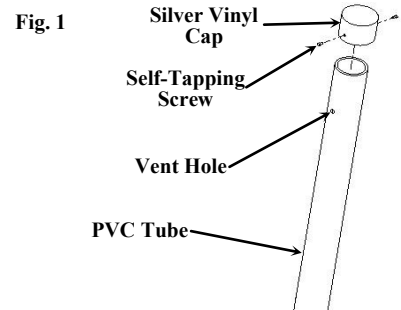
Installation Instructions

Warning: Failure to follow these warnings and instructions may result in property damage, serious bodily injury, and/or death.

BOAT GUIDE MOUNTING: (GB44 & GB150)

See Fig. 1 & 3

- 1) Install the silver vinyl cap, place it over the top end of the PVC tube.
- 2) Screw two self-tapping screws through the cap and into the PVC tube.
NOTE: These screws should be installed in line with the front/back of the boat/trailer to avoid scratching the boat. It is recommended to drill 1/8" diameter pilot holes through the cap and the PVC tube to ease installation of the screws. Drill a small vent hole (1/8" diameter) through one wall of the PVC tube just below the cap.



See Fig. 2

- 3) Select holes in mounting plate that best fit your trailer frame tubing and insert U-bolts through holes as shown. Start a 3/8" lock washer and 3/8" hex nut onto each U-bolt (do not tighten yet).
- 4) Slip mounting channel through U-bolts and position leg of boat guide into channel. Position the square end of PVC tube at the approximate desired location with bend pointing upward. Hand tighten nuts so tube is held in place.
NOTE: Can also be installed below trailer frame by turning hardware around to fit your boat/trailer setup better; however, be aware that U-bolts do not extend too high possibly causing damage to boat.

See Fig. 3 (For GB44 Only: Steps 5 - 6)

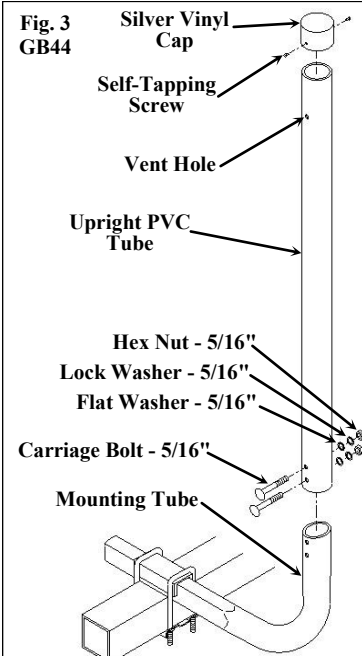
- 5) Place upright PVC tube over the end of the mounting tube so that the holes align. Insert two 5/16" carriage bolts through the holes from the rear of the trailer.
NOTE: The rounded bolt heads must face the rear of trailer to minimize exposure to the boat hull when loading. Failure to assemble the carriage bolts in this configuration could result in property damage.

- 6) Place 5/16" hardware on each carriage bolt as shown. Tighten until the bolt's square neck pulls into the upright tube. **Do not over tighten to avoid cracking PVC.**

Final Adjustment (GB44 & GB150)

See Fig. 2

- 7) Slightly loosen mounting U-bolts just enough to allow you to adjust the mounting tubes so that the upright contacts the rub rails of the boat.
- 8) Keep the tube leg flat on the surface of the frame so it may be tightened evenly. Slight pressure against the boat is recommended to minimize boat guide vibration during trailering.
- 9) Tighten 3/8" nuts firmly, being careful not to collapse PVC tube around the frame member. Adjustments in tension can be made by tightening or loosening front or back U-bolts. Tension should be equal on both sides of boat.



Installation Instructions (cont.)

Warning: Failure to follow these warnings and instructions may result in property damage, serious bodily injury, and/or death.

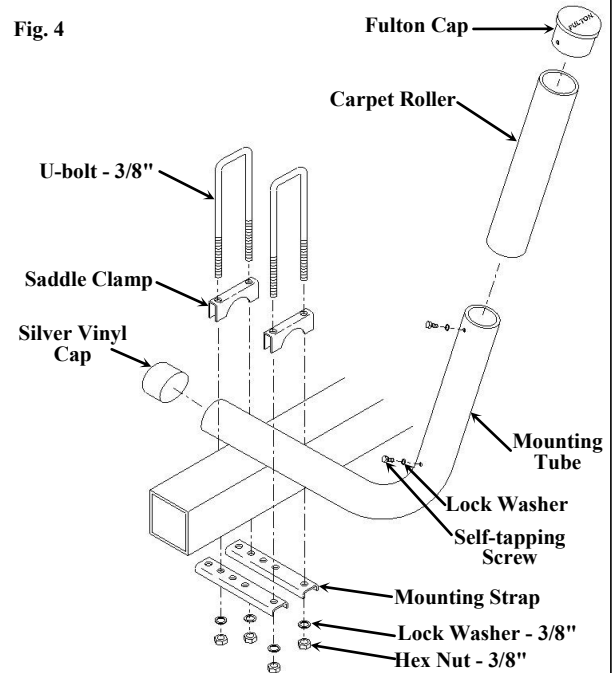
BOAT ROLLER GUIDE MOUNTING: BGR20

See Fig. 4

- 1) Using a Phillips-head screwdriver, insert a self-tapping screw and lock-washer into the LOWER hole of the mounting tube and tighten into place by hand (**CAUTION: Do Not Over Tighten**).
- 2) Place the carpeted roller over the mounting tube.
- 3) Insert the Fulton cap into the top of the mounting tube. Align the hole in the cap with the hole in the mounting tube. Insert and tighten by hand a self-tapping screw and lock washer to hold the roller in place.
- 4) Determine approximate desired location of mounting tube.
- 5) Put U-bolts through saddle clamps.
- 6) Position mounting tube on top of trailer frame and slide U-bolts (with clamps) over the tube on each side of the frame.
- 7) Select holes in mounting straps that best fit your trailer frame tubing. Place mounting straps over U-bolts with the flat surface of the straps against the frame.
- 8) Install 3/8" lock washer and 3/8" hex nut on each end of the U-bolts and finger tighten.
- 9) Place a silver vinyl cap on the bottom end of the tube.
- 10) Adjust the mounting tubes so that the guides lightly contact the sides of the boat and tighten the mounting hardware to 15 ft-lbs of torque.
- 11) Repeat all steps above on the other side.

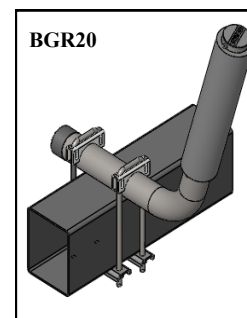
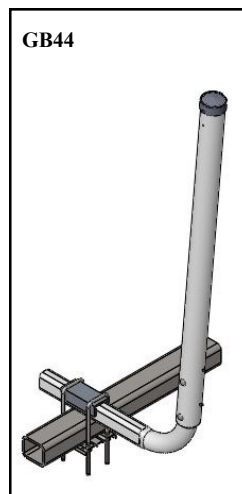
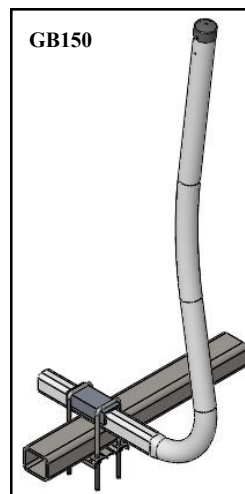
NOTE: Some adjustment may be required the first time you unload the boat.

Fig. 4



Maintenance

Check hardware for proper tightness every time the trailer will be in use. Tighten if necessary.



CEQUENT PERFORMANCE PRODUCTS, INC.