

TABLE 1

(mm) DIMENSION	(mm) TOLERANCE
$0 < L \leq 50$	± 1.5
$50 < L \leq 100$	± 2.5
$100 < L \leq 500$	± 3

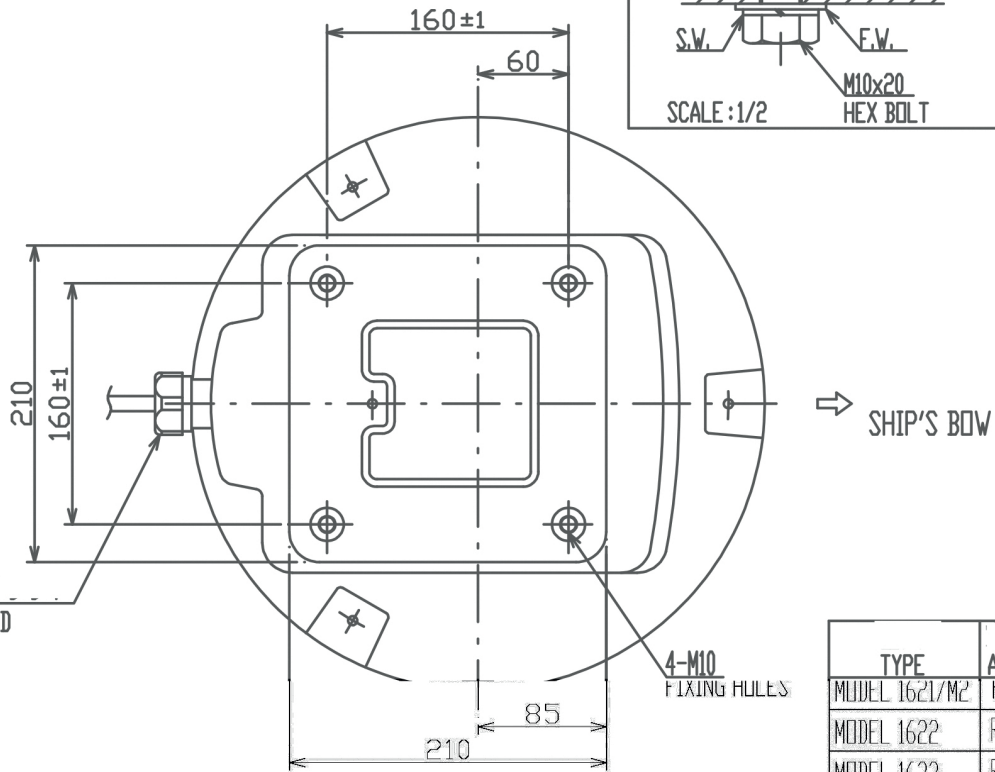
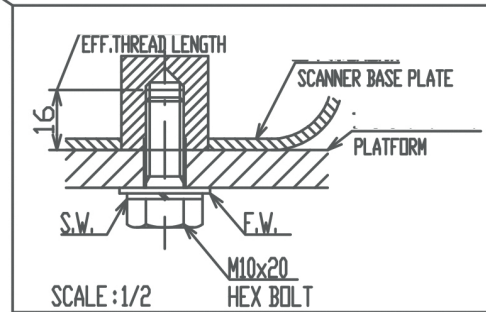
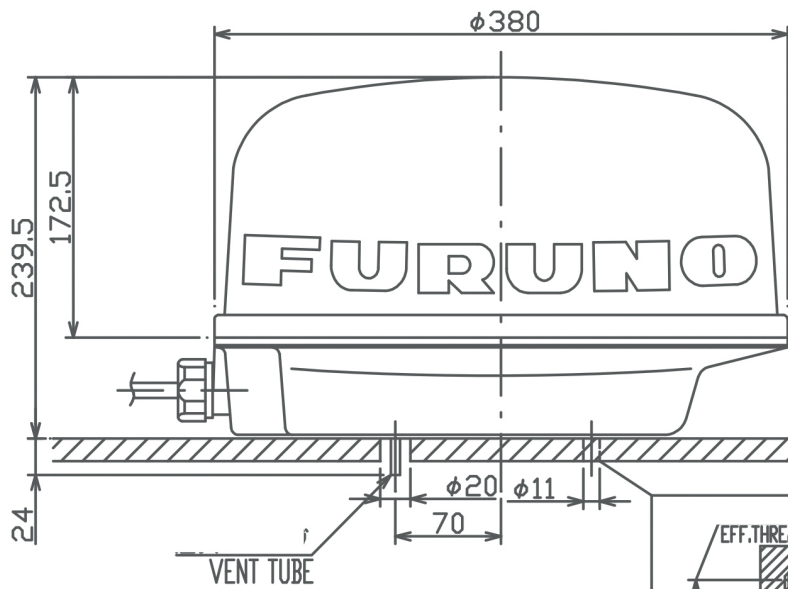


TABLE 3

TYPE	ANT. TYPE	MASS(±10%) (kg)
MODEL 1621/M2	RSB-0060	3.2
MODEL 1622	RSB-0060	4.5
MODEL 1623	RSB-0093	4.6

TABLE 2

	M1621	M1621 M2	M1622/1623
STANDARD	1.7 m	2.0 m	1.25 m
STEERING	1.3 m	1.5 m	0.95 m

NOTE
 1, TABLE 1 INDICATES TOLERANCE OF DIMENSIONS.
 2, VENT TUBE AND CABLE GLAND ARE FITTED AT FACTORY.
 3, TABLE 2 INDICATES COMPASS SAFE DISTANCES.

DRAWN	Oct. 10 '02 T.YAMASAKI	TITLE	RSB-0060/0093
CHECKED	Oct. 10 '02 Y.KIMURA		
APPROVED	MODEL 1621/1621M2 MODEL 1622/1623		