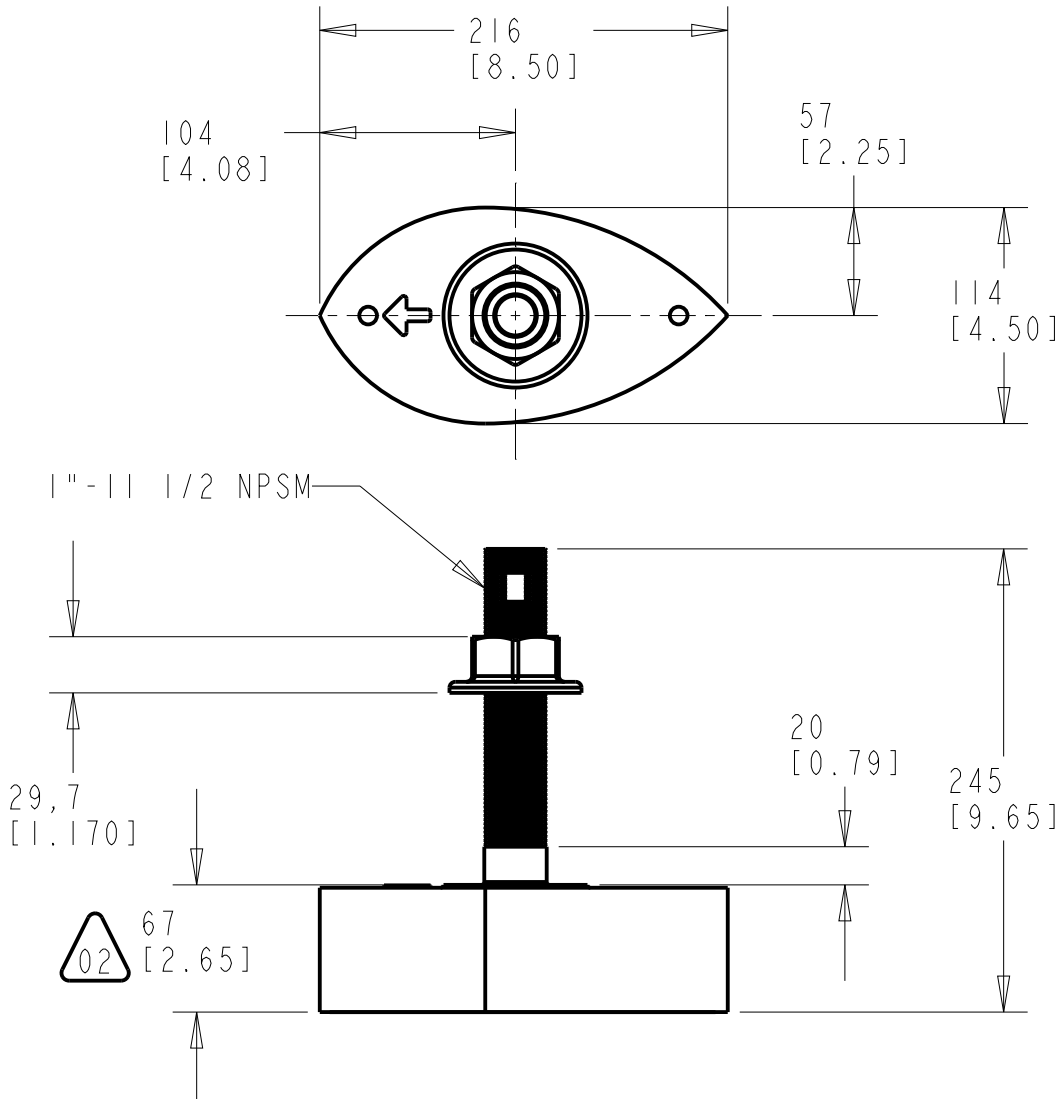


FURUNO

AIRMAR FORM #17-8030-01

THIRD ANGLE PROJECTION		REVISIONS			
	REV	DESCRIPTION	ECO NO	DATE	CHG/CHK
	01	RELEASE TO PRODUCTION	14093	02/03/17	RLE/BVT
	02	CORRECT VERTICAL DIMENSION; 67 [2.65] WAS 67 [2.64].	15135	04/20/18	RLE/BVT



UNLESS OTHERWISE SPECIFIED DIMENSIONS ARE IN MILLIMETERS TOLERANCES ON 0 PL DECIMALS: ±1 1 PL DECIMALS: ±0.5 ANGLES: ±1/2° FRACTIONS: ±1/16	SIGNATURE	DATE	AIRMAR TECHNOLOGY CORPORATION 35 MEADOWBROOK DR MILFORD NH 03055-4613 USA TEL: 603-673-9570 FAX: 603-673-4624
	DRAWN: F.CHASE	09/09/10	
	CHECKED: R.CULLEN	09/14/10	
MATERIAL			TITLE
N/A			OUTLINE DRAWING B260, B265, SS270W AND SS260
SIZE		SCALE: NONE	NUMBER
A		SHEET 1 OF 1	92-201-02 REV 02
THIS DOCUMENT AND THE DATA DISCLOSED HEREIN OR HERewith IS NOT TO BE REPRODUCED, USED, OR DISCLOSED IN WHOLE OR IN PART TO ANYONE WITHOUT THE PERMISSION OF AIRMAR.			CRITICAL DIMENSION DO NOT SCALE DRAWING