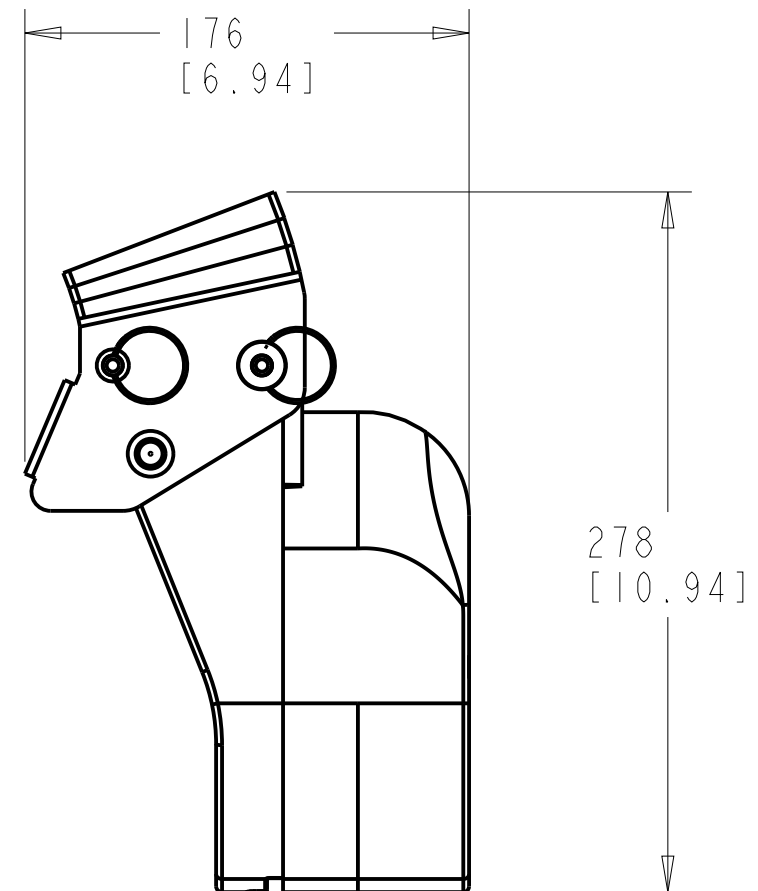
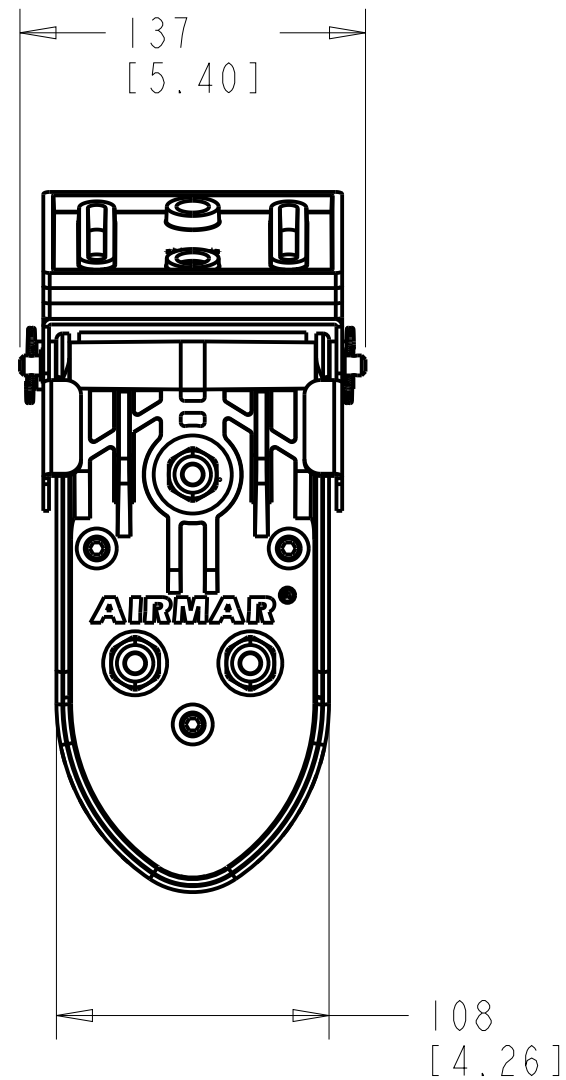


THIRD ANGLE PROJECTION		REVISIONS				
		REV	DESCRIPTION	ECO NO	DATE	CHG/CHK
		A	PRELIMINARY RELEASE	--		BVT/EJB



UNLESS OTHERWISE SPECIFIED DIMENSIONS ARE IN MM [IN] TOLERANCES ON 0 PL DECIMALS: ±1 1 PL DECIMALS: ±0.5 ANGLES: ±1/2° FRACTIONS: ±1/16	SIGNATURE	DATE	AIRMAR AIRMAR TECHNOLOGY CORPORATION
	DRAWN: B. THOMPSON	09/14/17	
MATERIAL N/A	CHECKED: E. BEISWENGER	09/15/17	TITLE OUTLINE DRAWING TM260 DFF-3D, FURUNO
			SIZE: B SCALE: 1/3 SHEET 1 OF 1
			NUMBER: 92-320-01 REV A

THIS DOCUMENT AND THE DATA DISCLOSED HEREIN OR HERewith IS NOT TO BE REPRODUCED, USED, OR DISCLOSED IN WHOLE OR IN PART TO ANYONE WITHOUT THE PERMISSION OF AIRMAR

CRITICAL DIMENSIONS

DO NOT SCALE DRAWING

Looking for dependable marine electronics and navigation? Rely on Furuno for quality and long-lasting products.