



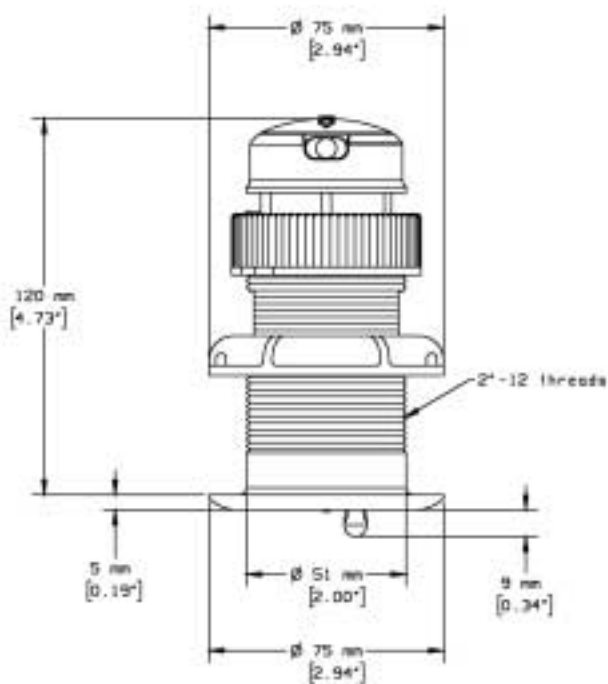
Retractable Tri

Airmar's First Smart™

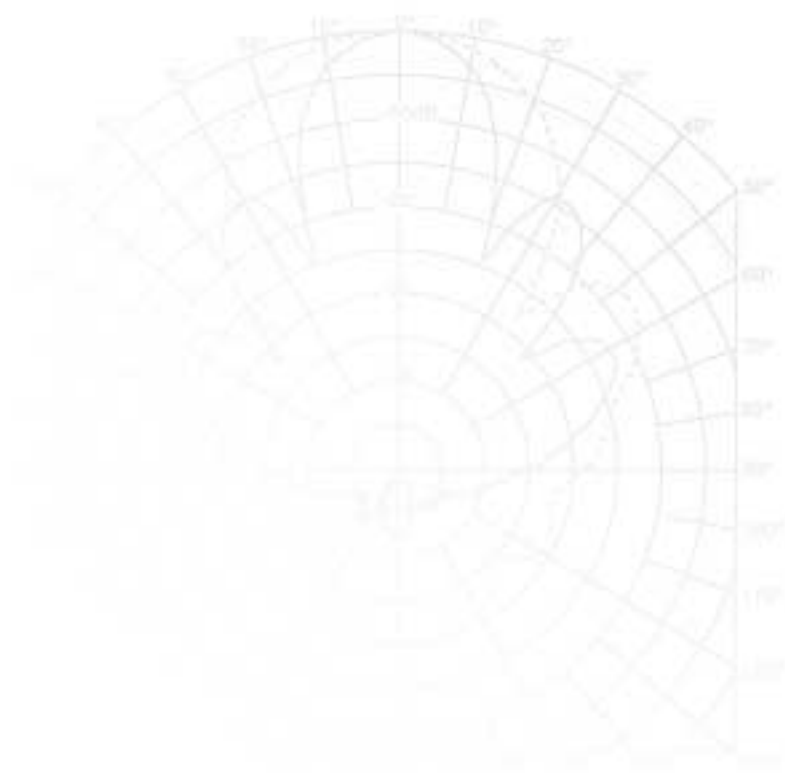
Retractable TRIDUCER®
Multisensor

View depth, speed and temperature functions from any Furuno RD30 or NAVNET package!

- All three functions in a retractable insert contained in ONE COMPACT housing
- Echosounding down to 200 feet
- Fan shaped transducer beam means no performance loss on hulls with up to a 22° deadrise
- Stable and accurate speed measurement from 1 to 60 MPH
- Patent pending signal processing provides linearity correction and jitter control
- Fast response to changes in water temperature



Furuno model
 #235DST-PSE (plastic)
 #235DST-MSE (bronze)



Technical Information:

Operating frequency	235 kHz
Transducer beam width @ -3db--all thru-hull models	45° port/starboard & 12° fore/aft
Data update rate	1/second
Minimum sounding depth	0.4m (1.3')
Maximum sounding depth	100m
Pressure rating:	3m (10')
Complies with CE regulations	Yes, to IERC945
Supply voltage	8 VDC to 28 VDC
Supply voltage @100% sound power output	11.5 VDC to 28 VDC
Supply current	190mA (depth, temp & ultrasonic speed)
Reverse polarity protection	Yes
Over voltage protection	For transients only
Standard data connector	7 pin Furuno connector
Standard cable type	C189, 22 AWG, 2 shielded pairs with standard NMEA colors
Standard cable length	10m (33')
Maximum cable length	100m (330')

Data output protocol:
NMEA 0183 sentence structure:

Depth: DDBT,DDPT
 Speed: VVHW
 Distance: VVWLW
 Water Temperature: YXMTW
 Temp2: YXXDR