

FURUNO

THRU-HULL MOUNT • Depth

- P319** Low Profile
B117 Low Profile
SS555 Low Profile
 50/200 kHz Dual Frequency

Accommodate 50/200 kHz ceramic
 Quick wetting acoustic window
 Stainless steel housing is available



Specifications

- Accommodates 44 mm (1.7") diameter dual frequency 50/200 kHz piezoceramic
- 50/200 kHz frequency provides both good resolution and deep water performance
- The SS555 flanged housing is machined from solid 316 alloy and is extremely robust
- Good high speed performance when mounted well aft
- Minimal drag with only 5 mm ($\frac{3}{16}$ ") extending outside hull
- Shielded piezoceramic element for noise free echosounder display
- SS555 includes an isolation kit to facilitate installation on aluminum or steel hulls.
- Rubber washer allows tightening of hull nut to irregular surfaces.
- Designed to meet CE requirements
- Installation requires 51 mm (2") diameter hole
- Waterproof molded connector
- Standard cable length: 9 m (30')

Weight:

- P319 0.6 kg (1.3 lb.)
 B117 0.9 kg (2 lb.)
 SS555 1.4 kg (3 lb.)

Accommodates hull thickness:

- P319 Min. 5 mm ($\frac{5}{8}$ ") Max. 70 mm ($2\frac{3}{4}$ ")
 B117 Min. 5 mm ($\frac{5}{8}$ ") Max. 70 mm ($2\frac{3}{4}$ ")
 SS555 Min. 3 mm ($\frac{3}{16}$ ") Max. 55 mm ($2\frac{3}{16}$ ")

Applications

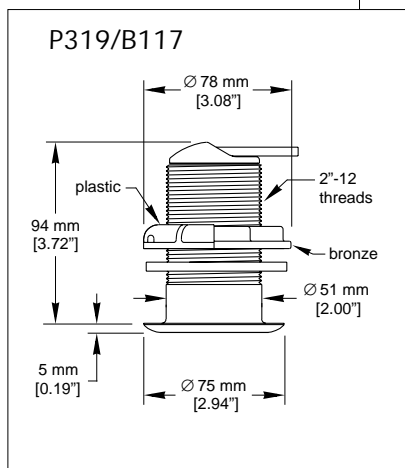
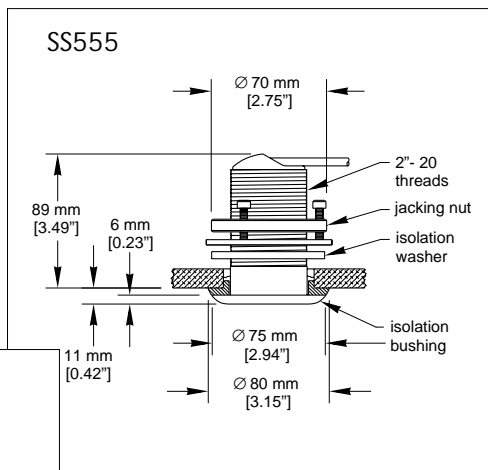
- Fishfinding
- Shallow and deep water bottom detection
- Recommended for hull deadrise angles up to 20°
- B117 for fiberglass wood hulls only
- P319 not for use in wood hulls
- SS555 compatible with any hull material

Notes

- Use with matching ST650 for echosounders requiring depth, speed and temperature inputs

Replacement Parts and Accessories

- Plastic hull nut #04-004
- Bronze hull nut #02-030
- Stainless hull nut #02-040-01



PERFORMANCE DATA		
Frequency ¹ – Airmar Piezoceramic Designator ²	50/200 kHz – A	
Element Material ³ /Diameter (mm)	PZT/44	
Beam Width at –3 dB	45°	12°
Q (fr/Δ f @ –3 dB) ⁴	28	31
Rated RMS Power (W)	600	600
Voltage Responses: Transmit/Receive ⁵ (dB)	155 / –174	164 / –184
Figure of Merit (Insertion Loss) ⁶ (dB)	–31	–21
Balanced Impedance ⁷ : Resistance, Rp (ohm) Capacitance, Cp (pF)	190	410
	720	720
Series Impedance [R – jX] ⁸ (ohm)	175 – j40	360 – j130
Acoustic Window Material	Urethane	

Note: See page m 1 for footnotes.