

FURUNO

B258



The Cost Effective Choice

The B258 is 25 times more sensitive than a single-element 50/200 kHz transducer. This innovative 1 kW transducer makes 600 W fishfinders perform like their more powerful big brothers—especially at 50 kHz. How does it do it? The B258 uses Airmar's new and unique ceramic-element construction. The resulting narrow beams will clearly distinguish individual fish and bottom fish from their habitat at depths down to 670 m (2,200').

Streamlined Performance

Maximize performance by installing the B258 with Airmar's custom fit High-Performance Fairing. At speeds over 30 knots (34 MPH), screen displays show clear images and a clean bottom trace.

Thru-Hull 1 kW Entry-Level

Fishing Applications

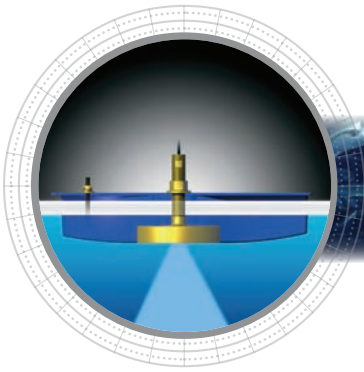
- The versatile 1 kW transducer for all types of fishing
- Inshore and blue-water trolling
- Deep-water bottom and structure fishing up to 500 m (1,640')

Features


- Elliptical beam covers more bottom area thus increasing your catch at all depths
- Depth and fast-response water-temperature sensor
- Recommended for sportfishing boats above 9 m (30') and small to mid-size commercial fishing boats
- Four 50/200 kHz ceramics as compared to one ceramic in 600 W units
- Provides greater surface area resulting in better sensitivity



Sensing Technology



Technical Information

50/200 kHz-BIq		
Number of Elements and Configuration		
Beamwidth (@-3 dB)	15° x 21°	3° x 5°
RMS Power (W)	1 kW	1 kW
TVR	161 dB	173 dB
RVR	-174 dB	-183 dB
FOM	-17 dB	-9 dB
Q	9	15
Impedance	225 Ω	200 Ω

MAXIMUM DEPTH RANGE	
50 kHz	200 kHz
441 m to 647 m (1,500' to 2,200')	206 m to 294 m (700' to 1,000')

BEAM DIAMETER VS DEPTH		
Depth	50 kHz	200 kHz
9 m (30')	2.4 m x 3.3 m (8' x 11')	0.6 m x 0.9 m (2' x 3')
30 m (100')	8 m x 12 m (25' x 40')	1 m x 2.7 m (5' x 9')
122 m (400')	30 m x 50 m (98' x 163')	6 m x 11 m (20' x 35')
305 m (1,000')	74 m x 124 m (245' x 407')	16 m x 26 m (52' x 87')

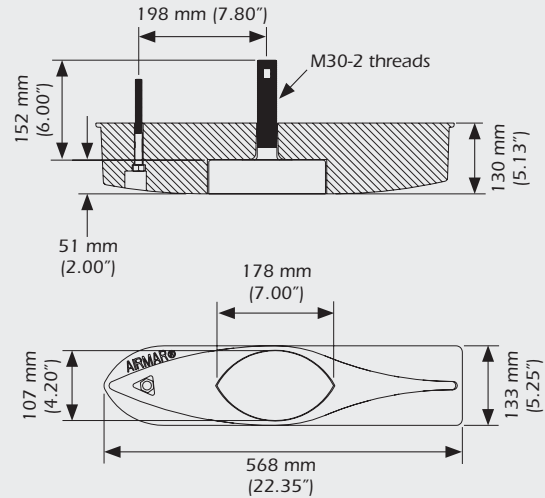
TRANSDUCER COMPARISON			
Model	Power	Rating	Performance Increase
B45 B744V B744VL	600 W	Good	Benchmark model for comparison
B258	1 kW	Better	25 times more sensitive at 50 kHz 16 times more sensitive at 200 kHz
B260 SS260	1 kW	Best	50 times more sensitive at 50 kHz 13 times more sensitive at 200 kHz
R99	2 kW	Superb	200 times more sensitive at 50 kHz 32 times more sensitive at 200 kHz
R209 R309	3 kW	Ultimate	400 times more sensitive at 50 kHz 32 times more sensitive at 200 kHz

Due to the wide beam of the SS270W, it has been omitted from the table.

SPECIFICATIONS
Weight: 3.6 kg (7.9 lb)
Hull Deadrise: Up to 26° with fairing
Acoustic Window: Epoxy/urethane

DIMENSIONS

Transducer and High-Performance Fairing



B258 Transducer

