

# B744V B744VL



## TRIDUCER® Multisensor

The B744V TRIDUCER Multisensor provides you with depth, speed, and temperature in one thru-hull housing. This unit is ideal for all 600 W fishfinders and requires only a single hole in the hull.

## Continuing Innovation

The B744V's patented valve assembly prevents water from rushing into the hull when the insert is removed for cleaning or storage. The innovative housing design allows the TRIDUCER Multisensor to be fully recessed into its custom High-Performance Fairing. The end result is a streamlined installation. At speeds above 30 knots (34 MPH), the B744V will produce clear images and solid bottom tracking!



B744VL

## 600 W

TRIDUCER® Multisensor  
Thru-Hull Transducer

## Fishing Applications

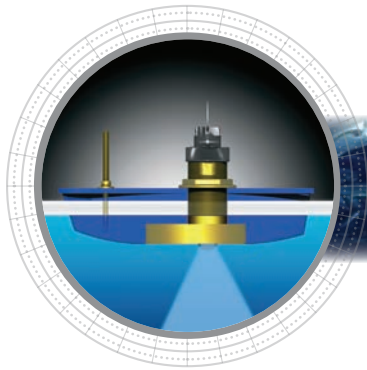
- Inshore or coastal fishing in shallow to medium depths
- Slow trolling, structure fishing and drifting
- Deep-water lake fishing

## Features

- Depth, speed, and temperature in one housing
- Greatly improved high-speed performance at both 50 kHz and 200 kHz when installed with a high-performance fairing
- Patented self-closing sea valve reduces water flow into the hull when paddlewheel insert is removed
- Speed Operating Range:  
1 knot to 45 knots (1 MPH to 52 MPH)
- Fins on sides of paddlewheel cavity provide improved accuracy in cross flow conditions
- The extra length of the B744VL allows mounting into thicker and/or high deadrise hulls
- Boat Size: Up to 9 m (30')



*Sensing Technology*



# B744V, B744VL



## Technical Information

50/200 kHz-A		
<b>Number of Elements and Configuration</b>	○	
<b>Beamwidth (@-3 dB)</b>	45°	12°
<b>RMS Power (W)</b>	600 W	600 W
<b>TVR</b>	155 dB	164 dB
<b>RVR</b>	-174 dB	-184 dB
<b>FOM</b>	-31	-21
<b>Q</b>	28	31
<b>Impedance</b>	200 Ω	375 Ω

MAXIMUM DEPTH RANGE	
50 kHz	200 kHz
235 m to 353 m (800' to 1,200')	118 m to 206 m (400' to 700')

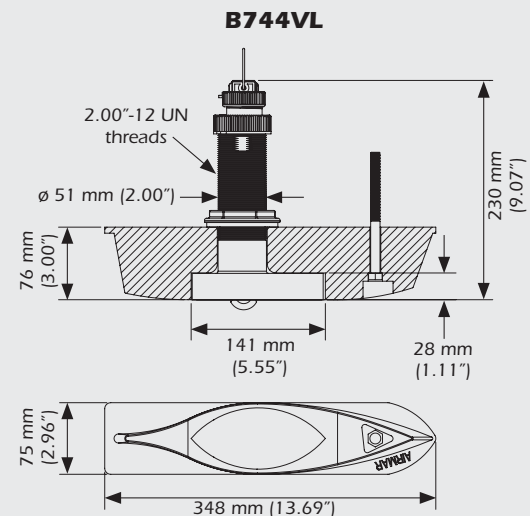
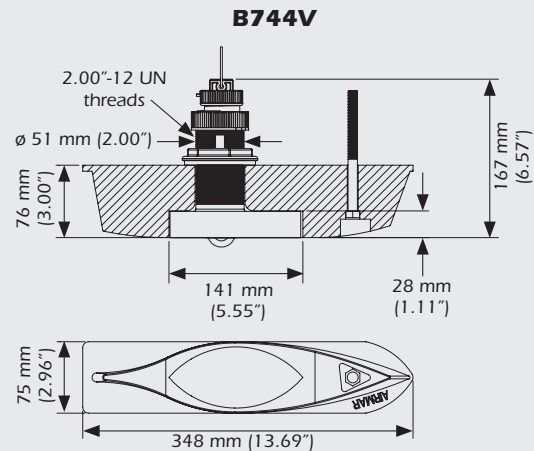
BEAM DIAMETER VS DEPTH		
Depth	50 kHz	200 kHz
9 m (30')	8 m (25')	2 m (6')
30 m (100')	25 m (83')	6 m (21')
122 m (400')	101 m (331')	26 m (84')
305 m (1,000')	252 m (828')	64 m (210')

TRANSDUCER COMPARISON			
Model	Power	Rating	Performance Increase
B45 B744V B744VL	600 W	Good	Benchmark model for comparison
B258	1 kW	Better	25 times more sensitive at 50 kHz 16 times more sensitive at 200 kHz
B260 SS260	1 kW	Best	50 times more sensitive at 50 kHz 13 times more sensitive at 200 kHz
R99	2 kW	Superb	200 times more sensitive at 50 kHz 32 times more sensitive at 200 kHz
R209 R309	3 kW	Ultimate	400 times more sensitive at 50 kHz 32 times more sensitive at 200 kHz

Due to the wide beam of the SS270W, it has been omitted from the table.

SPECIFICATIONS
<b>Weight:</b> 2.5 kg (5.5 lb)
<b>Hull Deadrise:</b> Up to 24° with fairing
<b>Acoustic Window:</b> Urethane

### DIMENSIONS



As Airmar constantly improves its products, all specifications are subject to change without notice. All Airmar products are designed to provide high levels of accuracy and reliability, however they should only be used as aids to navigation and not as a replacement for traditional navigation aids and techniques. TRIDUCER® is a registered trademark of Airmar Technology Corporation. Other company or product names mentioned in this document may be trademarks or registered trademarks of their respective companies, which are not affiliated with Airmar.