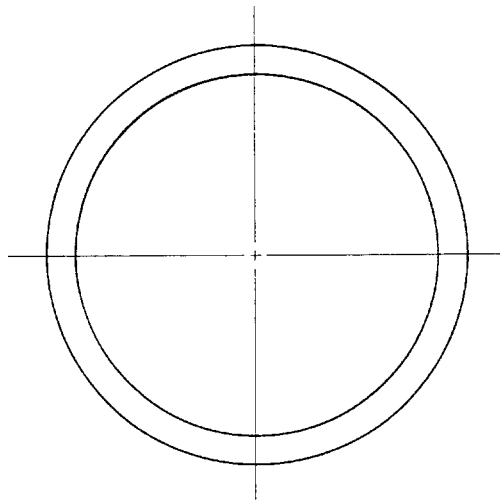
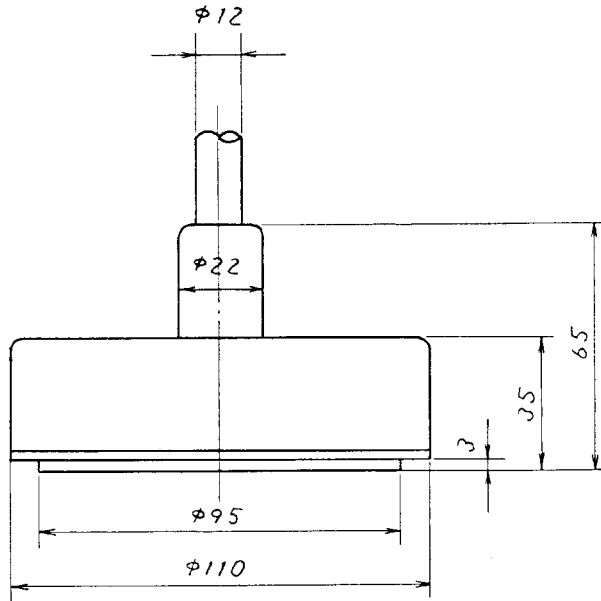


A

B

C

D



ITEM	NAME	MATERIAL	Q'TY	DWG.NO.	REMARKS
APPROVED	<i>[Signature]</i> AUG. 23 '82	THIRD ANGLE PROJECTION	TITLE	200B-8(B)/(N)	
CHECKED	<i>[Signature]</i> AUG. 23 '82	SCALE	1/2	TRANSDUCER OUTLINE	
DRAWN	<i>[Signature]</i> AUG. 16 '82	WEIGHT	3.6 (15m CABLE) ^{7/16"} kg	DWG.NO.	C2003-019-C