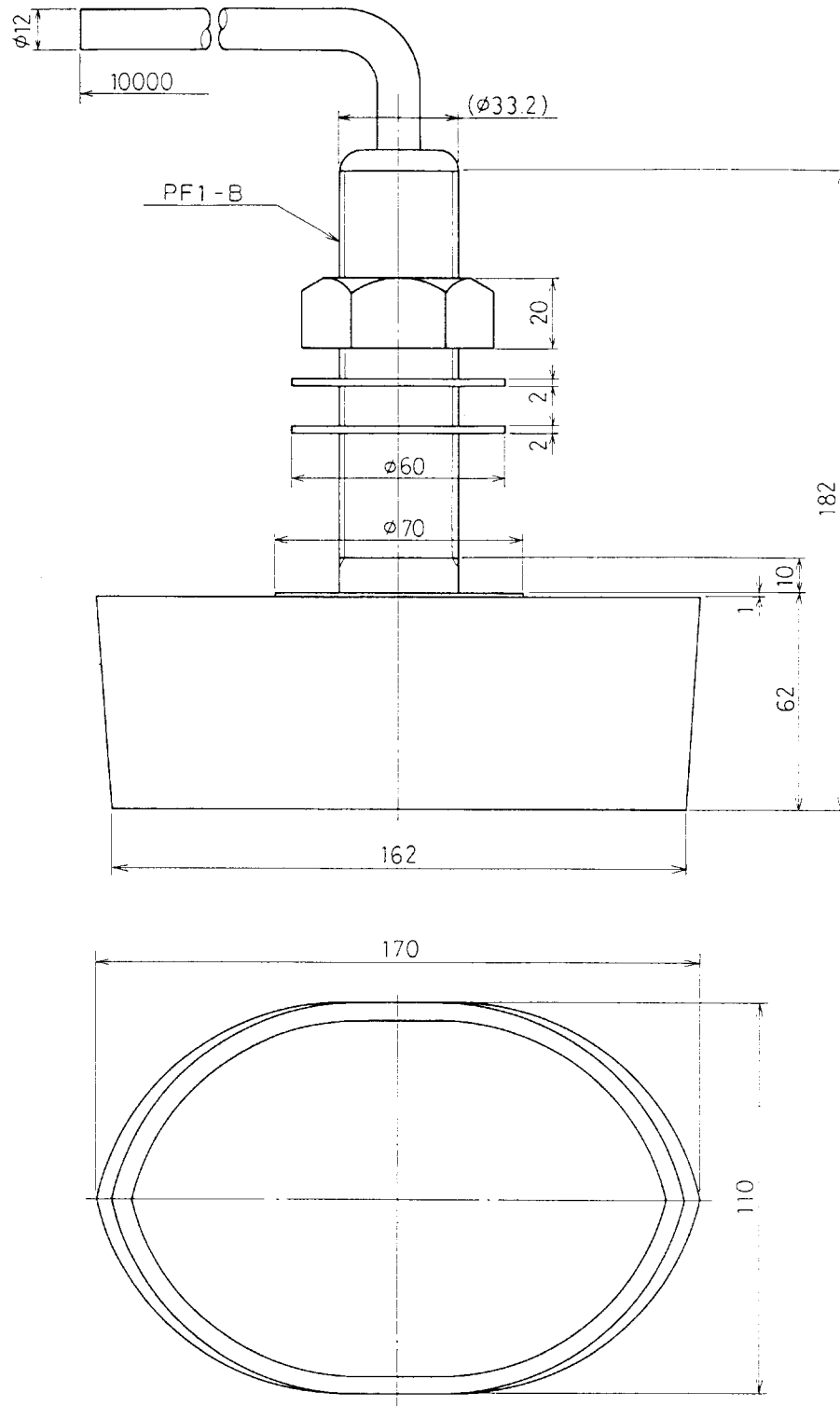


A

B

C

D



ITEM	NAME	MATERIAL	QTY	DWG. NO.	REMARKS
------	------	----------	-----	----------	---------

APPROVED	T. U. AKASHI	THIRD ANGLE PROJECTION	TITLE		
CHECKED	T. K. O. D. I. J.	SCALE	1/2	50/200-12M TRANSDUCER OUTLINE	
DRAWN	OCT. 22. '87 M. HISUDA	WEIGHT	約 8 kg	DWG. NO.	C2003-051-A