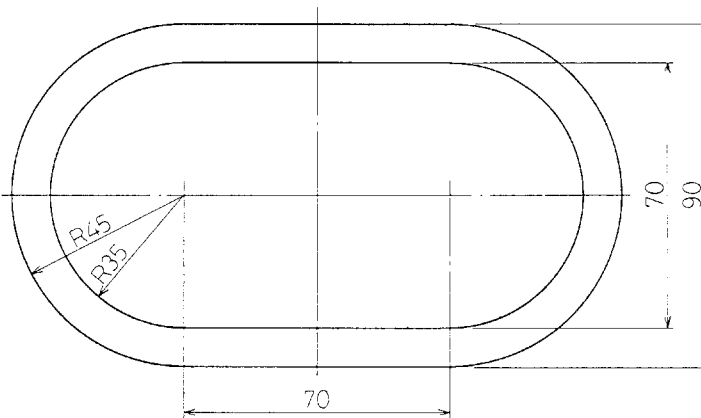
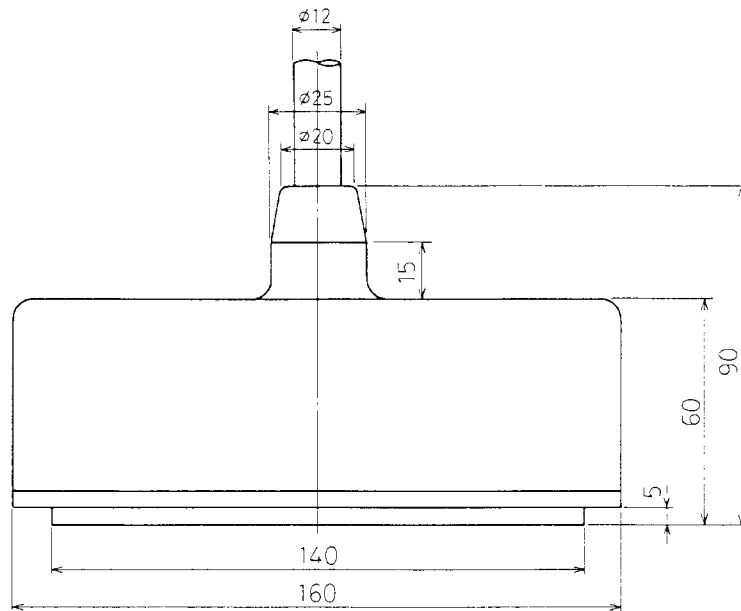


A

B

C

D



	ITEM	NAME	MATERIAL	Q'TY	DWG.NO.	REMARKS
APPROVED	Aug. 5 '88 T. NAKANO	THIRD ANGLE PROJECTION			TITLE 50/200 - 1T	
CHECKED	Aug. 5 '88 T. KOBAYASHI	SCALE 1/2			TRANSDUCER OUTLINE	
DRAWN	JUL. 25 '88 H. USUDA	WEIGHT 3.5 kg			DWG.NO. C2003-052 - A	