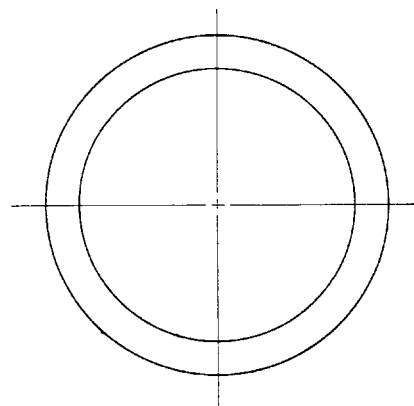
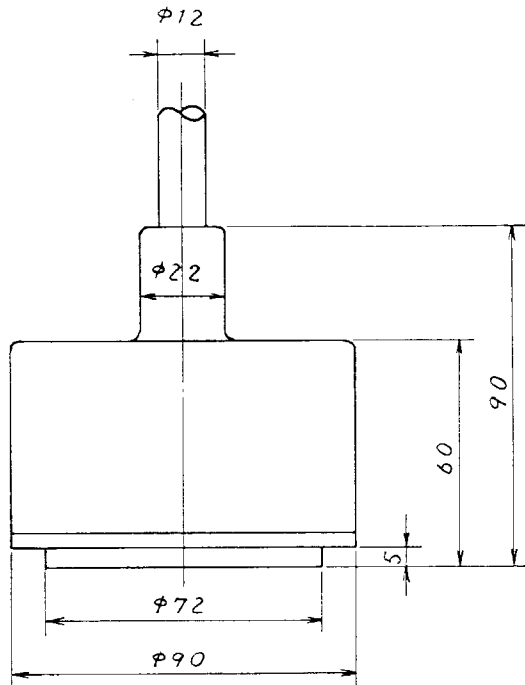


A

B

C

D



	ITEM	NAME	MATERIAL	Q'TY	DWG.NO.	REMARKS
APPROVED	<i>Aug. 22 '82</i> <i>[Signature]</i>	THIRD ANGLE PROJECTION	TITLE	50B-6(B), 60B-5S, 150B-6H		200B-5S
CHECKED	<i>Aug. 23 '82</i> <i>[Signature]</i>	SCALE	1/2		TRANSDUCER OUTLINE	
DRAWN	<i>Aug. 16 '82</i> <i>[Signature]</i>	WEIGHT	50B-6 } 3 kg 60B-5S } 200B-5S: 2.5	DWG.NO.	C 2003-010-C	

50B-6B }  
150B-6H } 4kg **FURUNO ELECTRIC CO., LTD.**

Check out the collection of marine electronics & navigation we offer.