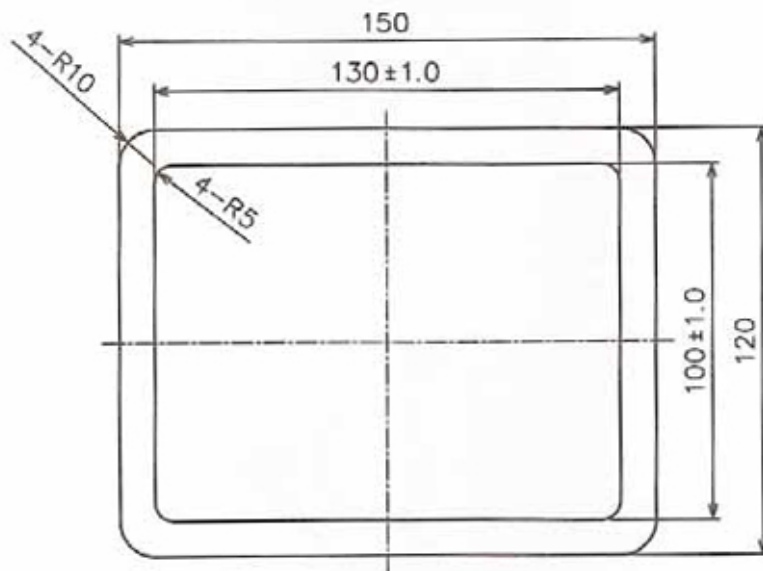
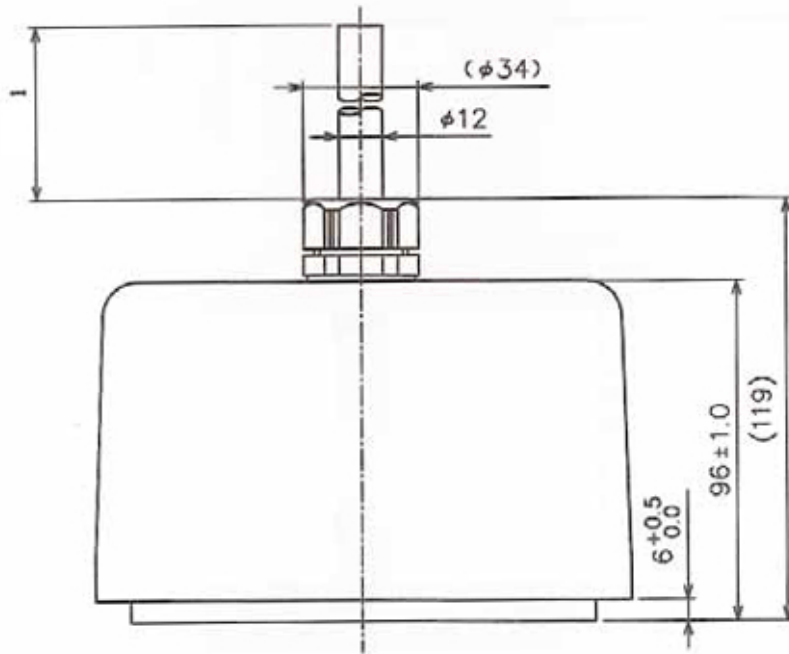


TABLE 1

(mm) DIMENSIONS	(mm) TOLERANCE
$L \leq 50$	$\pm 1.5$
$50 < L \leq 100$	$\pm 2.5$
$100 < L \leq 500$	$\pm 3$



- NOTE 1. CABLE LENGTH IS 14.6M<sup>+0.7</sup>M.  
 2. TABLE 1 INDICATES TOLERANCE OF DIMENSIONS WHICH IS NOT SPECIFIED.  
 3. MASS INCLUDES CABLE.

DRAWN Dec. 18 '03 E. MIYOSHI		TITLE 50BI-12HR
CHECKED Takahashi T.		
APPROVED Y. Hatai		
SCALE 1/2 MASS 5.5 ±0.06 kg		NAME TRANSDUCER
DWG.No. C2003-G29-A	02-148-350G-2	OUTLINE DRAWING

FURUNO ELECTRIC CO., LTD.