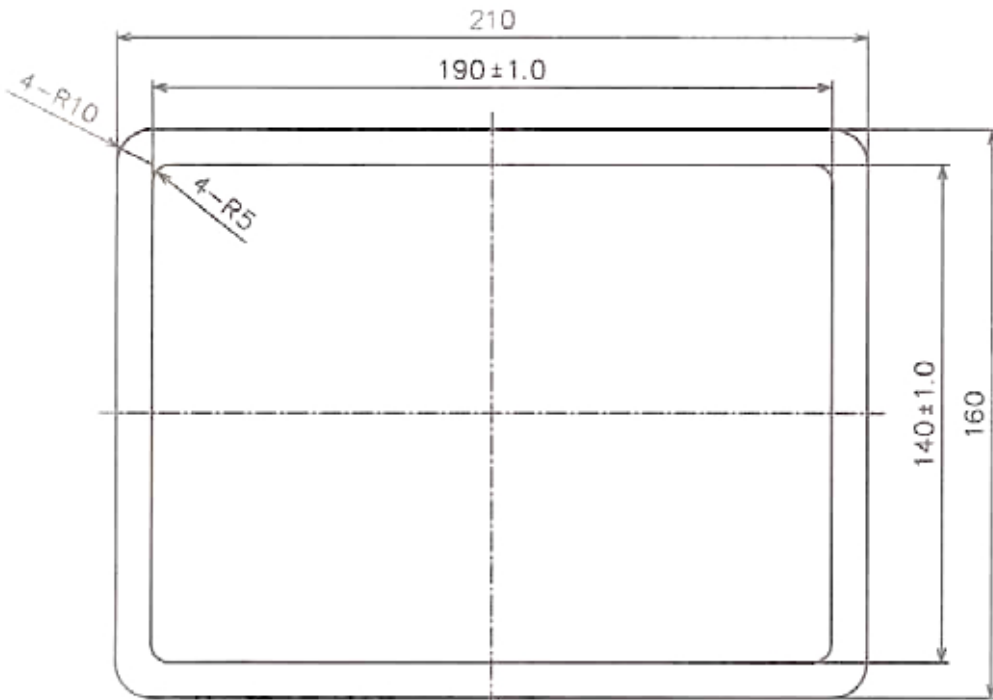
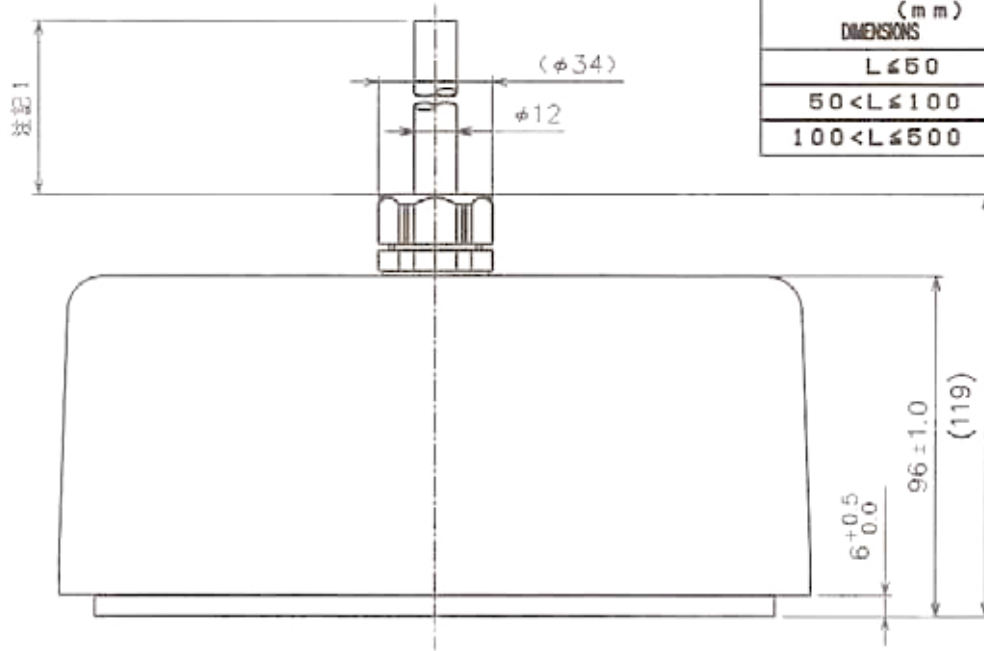


TABLE 1

(mm) DIMENSIONS	(mm) TOLERANCE
$L \leq 50$	± 1.5
$50 < L \leq 100$	± 2.5
$100 < L \leq 500$	± 3



+0.7

- NOTE 1. CABLE LENGTH IS $14.6M \pm 0.7M$.
 2. TABLE 1 INDICATES TOLERANCE OF DIMENSIONS WHICH IS NOT SPECIFIED.
 3. MASS INCLUDES CABLE.

DRAWN Dec. 18 '03 E. MIYOSHI		TITLE 50BL-24HR
CHECKED Takahashi T.		
APPROVED Y. Hatai		
SCALE 1/2	MASS 7.8 ±10% kg	NAME TRANSDUCER
DRG.No. C2003-G28-A	02-148-300G-2	OUTLINE DRAWING