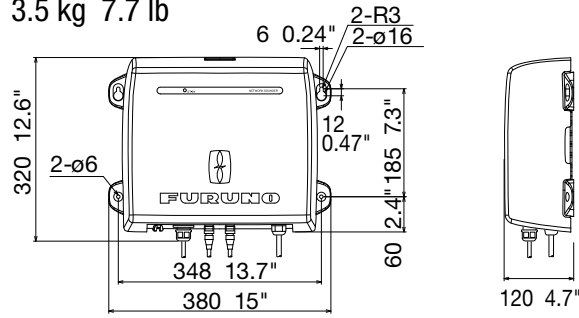


DFF1-UHD SPECIFICATIONS

| | |
|-----------------------|--|
| Display Modes | Single (High or Low frequency), Dual (both High & Low frequencies), Bottom-Lock, Bottom-Zoom, Bottom Discrimination, Marker Zoom (NavNet 3D only), A-Scope |
| Frequency | Dual-frequency Broadband CHIRP 50 kHz +/- 20 kHz, 200 kHz +/- 25 kHz |
| Range Scale | Max. 1,200m |
| Range Phasing | Up to 2,400 m (8,000 ft., 1,300 fa.) |
| Accu-Fish | Available |
| Bottom Discrimination | Available |
| Temperature | -15°C to +55°C |
| Waterproofing | IEC 60529 IP20 |
| Power Supply | 12-24 VDC |

Dimensions

3.5 kg 7.7 lb



Compatible with these AIRMAR Broadband Transducers:



CM265LH



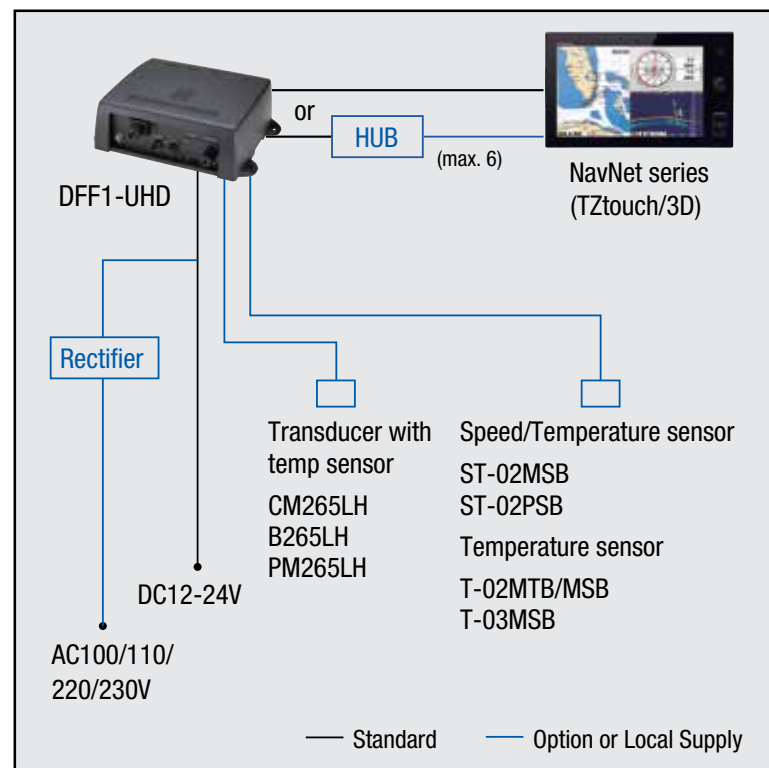
B265LH



PM265LH

Note: The DFF1-UHD is not compatible with LM (low/medium) Frequency Transducers.

Interconnection Diagram

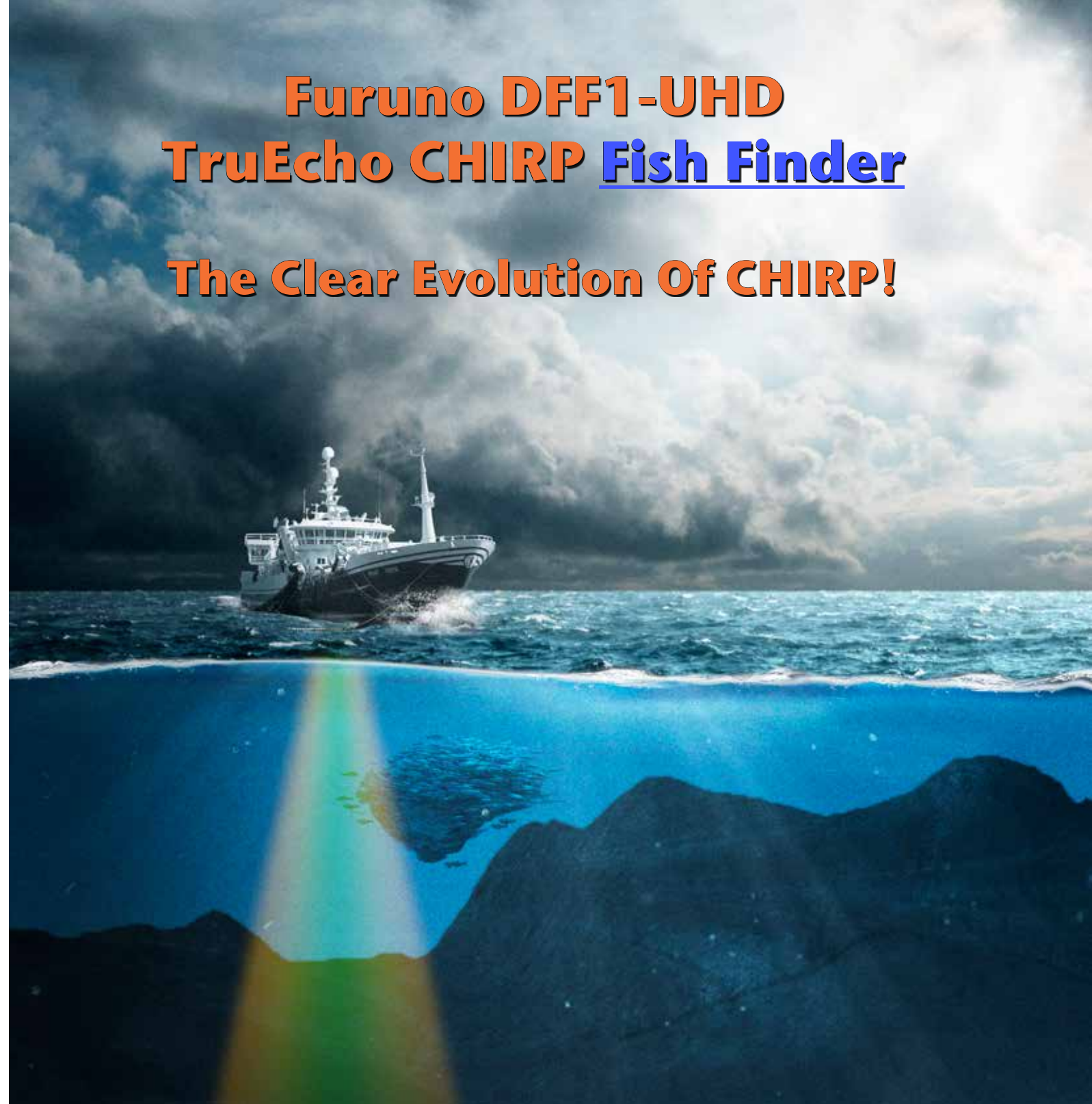


FURUNO

Specifications subject to change without notice. All brand and product names are registered trademarks or service marks of their respective holders.

Furuno DFF1-UHD TruEcho CHIRP Fish Finder

The Clear Evolution Of CHIRP!



Meet the Furuno DFF1-UHD TruEcho CHIRP Fish Finder, developed exclusively for the award-winning NavNet 3D and NavNet TZtouch Multi Function Display systems. The DFF1-UHD presents a huge step forward in fish finding technology, offering serious fishermen the ultimate in underwater detail, precision and clarity.

Furuno's TruEcho CHIRP fuses the very latest CHIRP technology with Bottom Discrimination and Accu-Fish, bringing you the next evolution of CHIRP Fish Finders. Enjoy eye-popping target definition. Reveal the sea floor's structure and composition. Unlock sophisticated fish size and depth information. Whether you are a commercial or sport fisherman, TruEcho CHIRP will help put more fish in your boat!

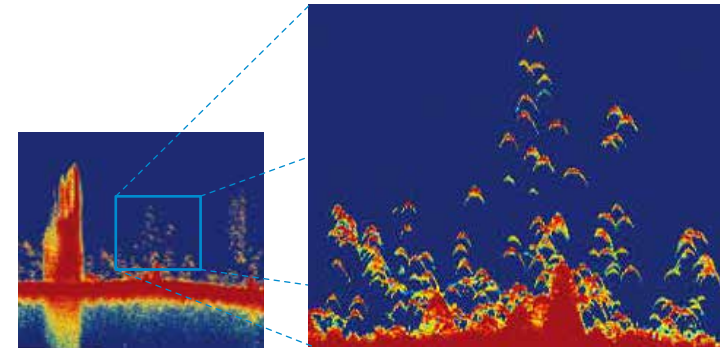


Furuno TruEcho CHIRP - So much more than just a CHIRP Fish Finder!

When is a CHIRP Fish Finder not just another CHIRP Fish Finder? When it's Furuno's TruEcho CHIRP! Designed to sweep across 90 frequencies utilizing a CHIRP transducer, the new DFF1-UHD delivers professional grade fish finding technology into a network Fish Finder.

Why CHIRP?

CHIRP Fish Finders mark individual game fish and bait fish, even when tightly schooled together or near the sea floor. Standard, non-CHIRP Fish Finders operate at one or two individual frequencies and are



generally capable of detecting targets and displaying them only within those narrow frequency bands. CHIRP Fish Finders transmit pulses across a wide range of frequencies. The DFF1-UHD uses a precise sweep pattern across 90 frequencies (50 kHz +/- 20 kHz, 200 kHz +/- 25 kHz) within a long-duration transmission. This allows Furuno's superior Digital Signal Processing (DSP) to display targets with unparalleled clarity, accuracy and resolution. You will also benefit from better shallow water performance, tracking of the bottom, and improved detection of thermoclines.



Benefits of CHIRP Technology

- Scans across a range of frequencies
- Enhanced depth penetration, resolution & clarity
- Precise separation between bait fish and game fish
- Enhanced ability to distinguish targets from noise using improved signal to noise ratio
- Improved bottom tracking at high speeds
- Vastly improved shallow water performance
- Reveals more fish by eliminating surface clutter & noise

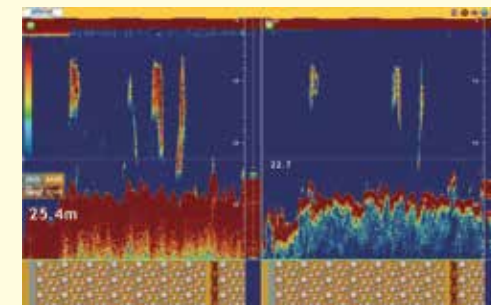


Why Furuno's TruEcho CHIRP?

Furuno's TruEcho CHIRP Fish Finder is based on completely new technology utilizing broadband CHIRP transducers. The sound energy transmitted by the DFF1-UHD into the water is up to 1,000 times greater than a conventional Fish Finder, resulting in more energy on the target. Utilizing our Furuno Digital Filter (FDF) signal processing results in up to 5x greater resolution and depth capability than comparably powered standard Fish Finders. Furuno is evolving CHIRP technology to the next level by adding unique capabilities, such as Bottom Discrimination and Accu-Fish.

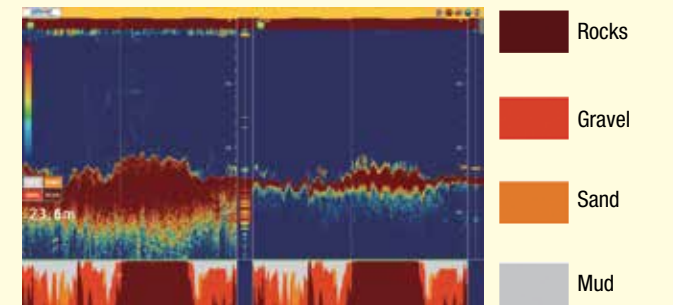


Bottom Discrimination provides detailed graphical information about the make-up of the sea floor. This is accomplished by placing the bottom into one of four classifications; Rocks, Gravel, Sand, and Mud. Knowing the make-up of the bottom provides valuable information that will help you locate rich fishing grounds, potential hazards, and even good anchoring spots. The bottom details are shown on the screen in either a graphical representation or probability graph.



Graphic mode

The standard graphic display mode shows the most probable bottom composition graphically as shown above.



Probability mode

The probability display mode shows the most probable bottom composition in graph form.

- Please keep the following in mind when using the Bottom Discrimination Sounder:
- 1) Use at a depth of 5 m - 150 m.
 - 2) Use an approved transducer.
 - 3) To show a consistent display of the actual bottom, set the range display of the Fish Finder screen to "auto".
 - 4) Enter the ship's draft value
 - 5) Use a ship speed of 10 knots or less.
 - 6) In some instances, bottom component indicated on the display may differ slightly from its actual bottom structure.



ACCU-FISH Accu-Fish is a revolutionary fish size assessment function that can tell you the approximate size of the fish below your boat. Fish symbols appear on the screen, along with the size of the fish or the depth where it found the fish. It can detect fish size from 4 inches up to about 6 feet long, in depths of 7 feet to well over 300 feet of water.

