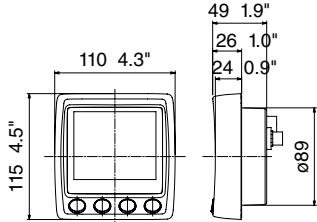


FURUNO

FI50 Instrument Dimensional Drawings

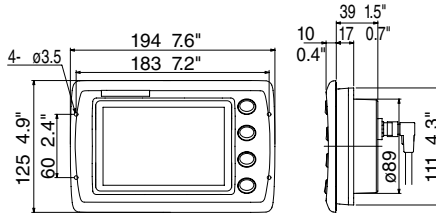
Instruments FI50 Series

0.3 kg 0.7 lb



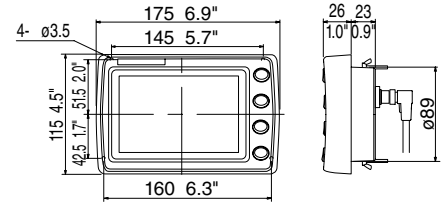
Instruments FI507 (Flush Mount)

0.5 kg 1.1 lb

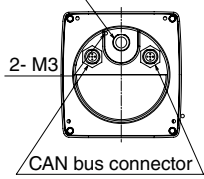


Instruments FI507 (Surface Mount)

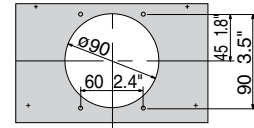
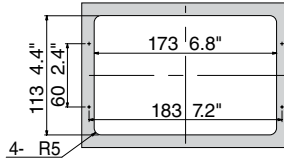
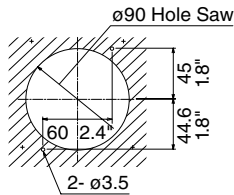
0.5 kg 1.1 lb



Wind sensor connector
(FI-501/502 only)

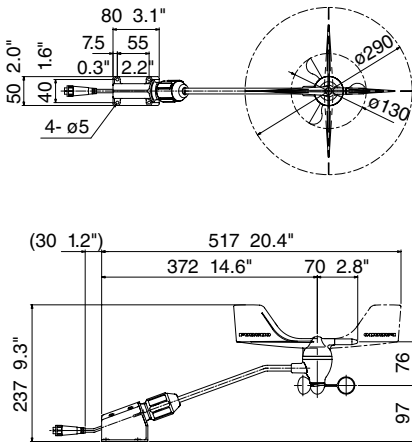


Cutout for flush mount



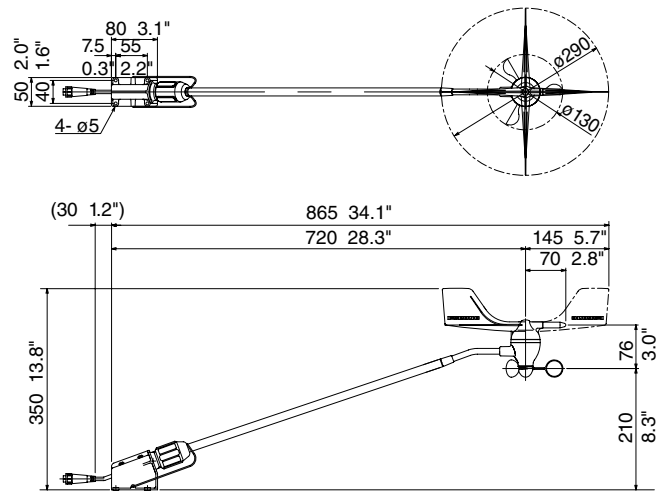
Wind Transducer FI5001

0.3 kg 0.7 lb



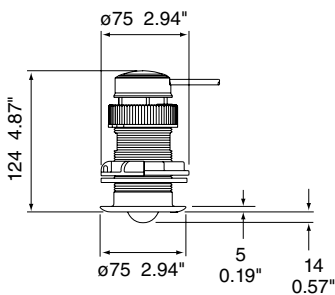
Wind Transducer FI5001L (Long Shaft)

0.4 kg 0.9 lb



[Depth/Speed/Temp Sensor](#) DST800 (Option)

0.9 kg 2.0 lb



Junction Box FI5002 (Option)

0.3 kg 0.7 lb

