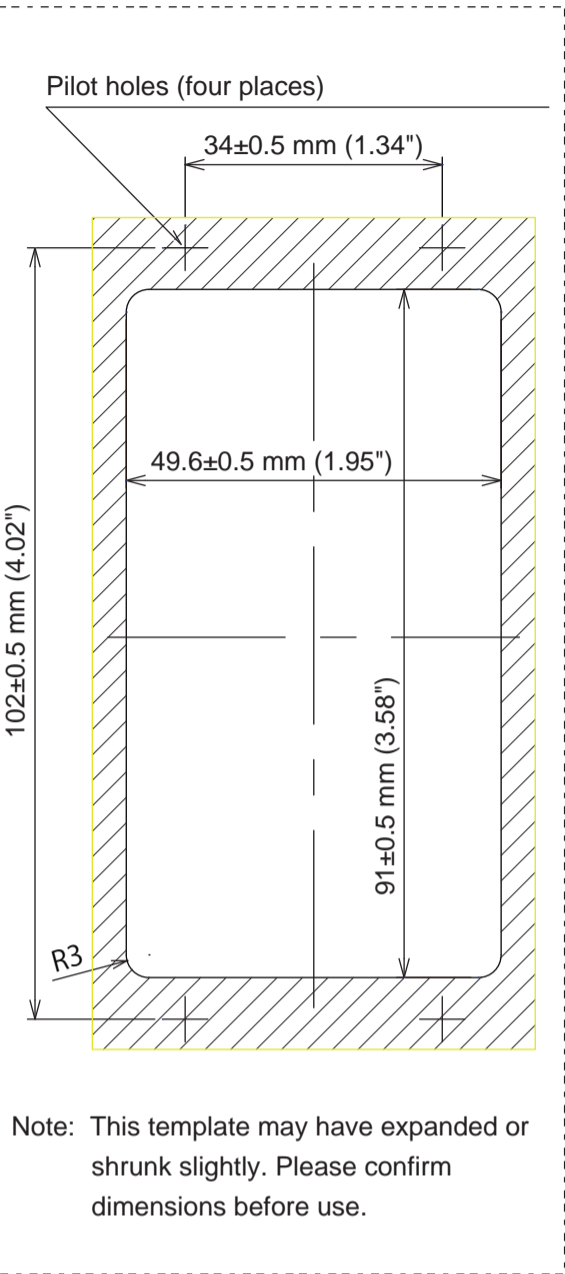


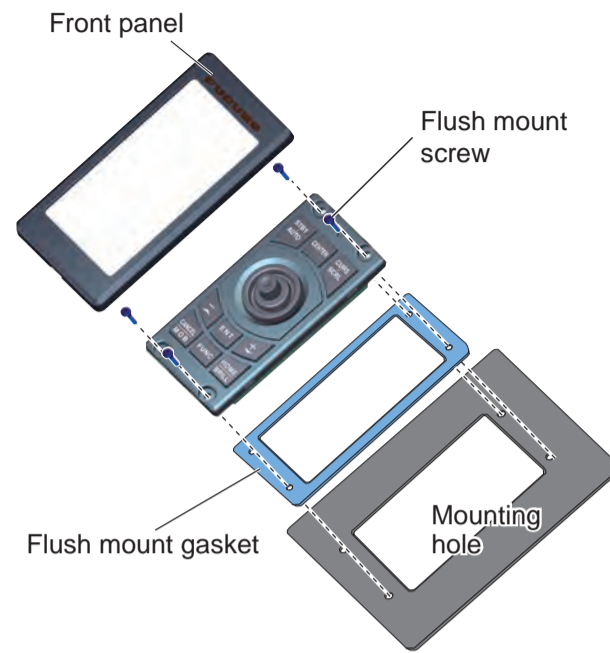
Installation



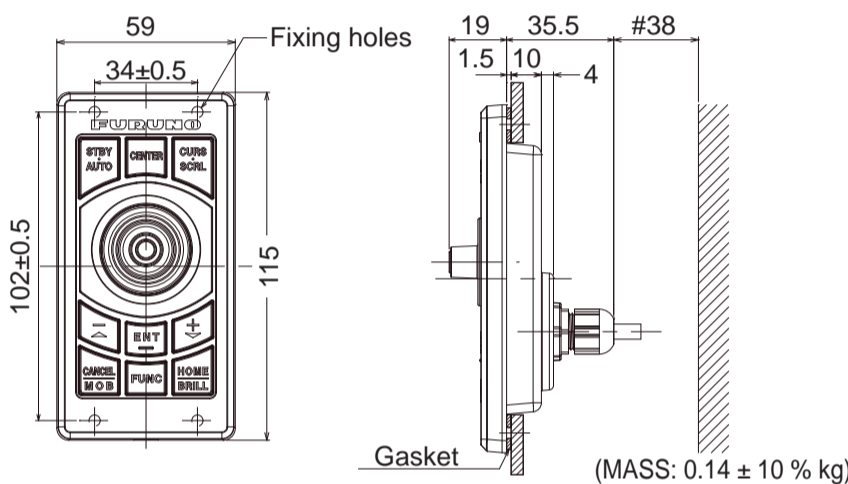
How to install the Remote Control Unit

- 1 Using the mounting template, open a mounting hole in the installation site.
- 2 Set the flush mount gasket and unit to the hole.
- 3 Fix the unit with four flush mount screws (Ø3x13), then attach the front panel.
- 4 Connect the USB connector of the unit to the USB port.

If it is necessary to remove the front panel after the unit is installed, insert a slotted head screwdriver into the slot on the unit, then turn the screwdriver.



Outline and dimensions



Packing List

Name	Type	Qty
Remote Control Unit	MCU-002	1
Front Panel	FRC-D01-003	1
Flush Mount Gasket	FRC-D01-008	1
Flush Mount Screw	SUS304 BH T/S-1	4

Note:

1. Table1 indicates tolerance of dimensions which is not specified.
2. #: Minimum service clearance.

Table 1

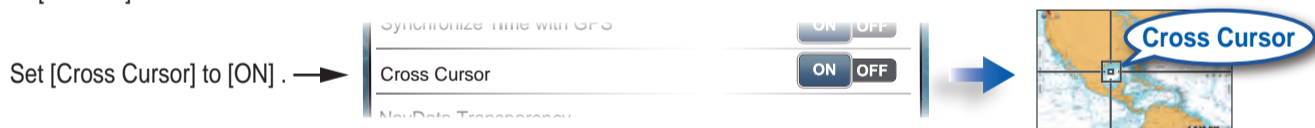
DIMENSIONS (mm)	TOLERANCE (mm)
0 < L ≤ 50	±1.5
50 < L ≤ 100	±2.5
100 < L ≤ 500	±3

Controls

Control description

Tips and Notice

In the cursor mode of the MCU-002, the cross cursor is easier to use than the arrow cursor. To use the cross cursor, set [Cross Cursor] to [ON] in the [General] menu.



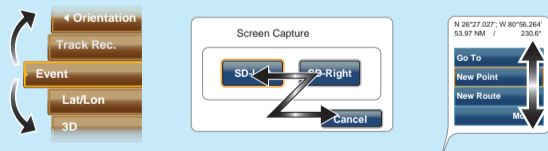
You can not set the guard zone with the MCU-002. Use the touch operation to set the guard zone.

STBY•AUTO key

Switches the steering mode of the FURUNO NAVpilot-700 series Autopilot between the STBY and AUTO modes.

+, - key

Selects an item from the RotoKey™/main/pop-up menu and dialog box.



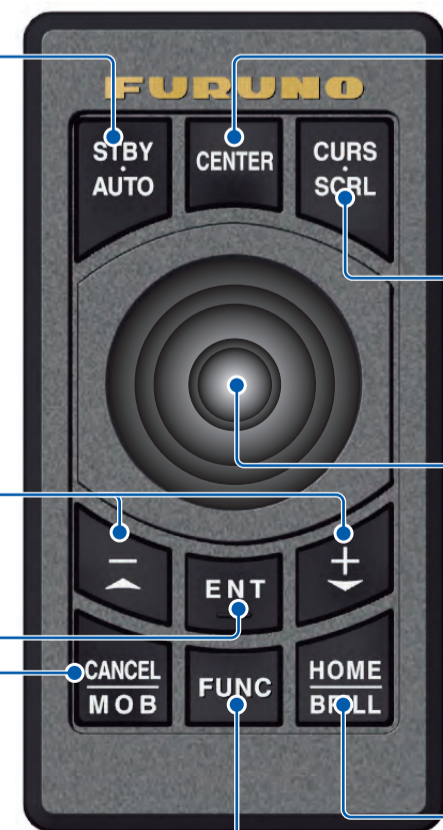
- Zooms in (+) and out (-).
- Raises (+) and lowers (-) the brilliance on the Brilliance/Power window.

ENT key

- Activates a selected item.
- Opens the RotoKey™ menu.

CANCEL/MOB key

- Short press:
- Closes the menu or dialog box.
 - Stops the audio alarm.
 - Ends the tool mode (End Route, End Move, etc.).
- Long press:
- Enters the MOB mark at the own ship's position.



CENTER key

- Returns your ship to the center of the screen (Plotter/Weather/Radar display).
- Cancels the echo history (Fish finder display).

CURS•SCRL key

Switches the joystick gesture between the cursor mode and scroll mode.

Joystick

Short push: Works same as the tap gesture.

- Opens the pop-up menu.
- Activates the item selected by the cursor.

Long push: Works same as the long press gesture.

- Opens the detail pop-up menu.

Operate the joystick:

Cursor mode operation

- Moves the cursor.
- Pans the display (Plotter/Weather/Radar display).
- Shifts the range and scrolls back the picture (Fish finder display).

FUNC key

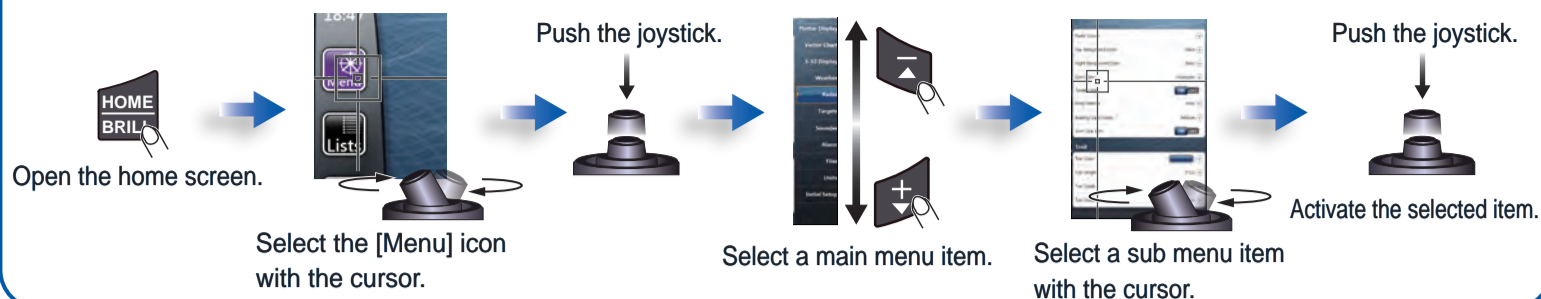
Activates the function set at [Function Gesture] menu.

HOME/BRILL key

- Short press:
- Opens the home screen.
- Long press:
- Opens the Brilliance/Power window.

How to operate the menus

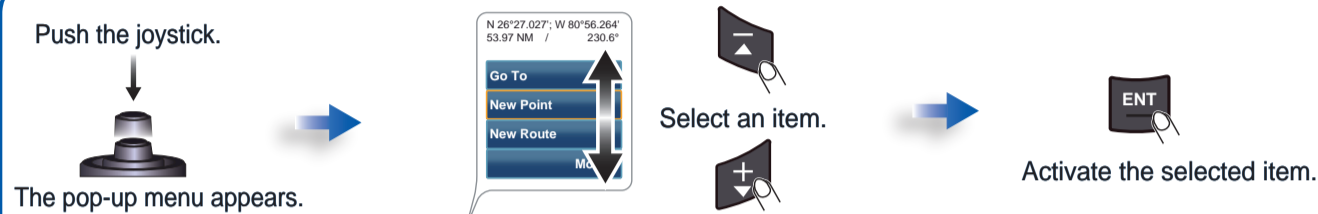
Main menu operation



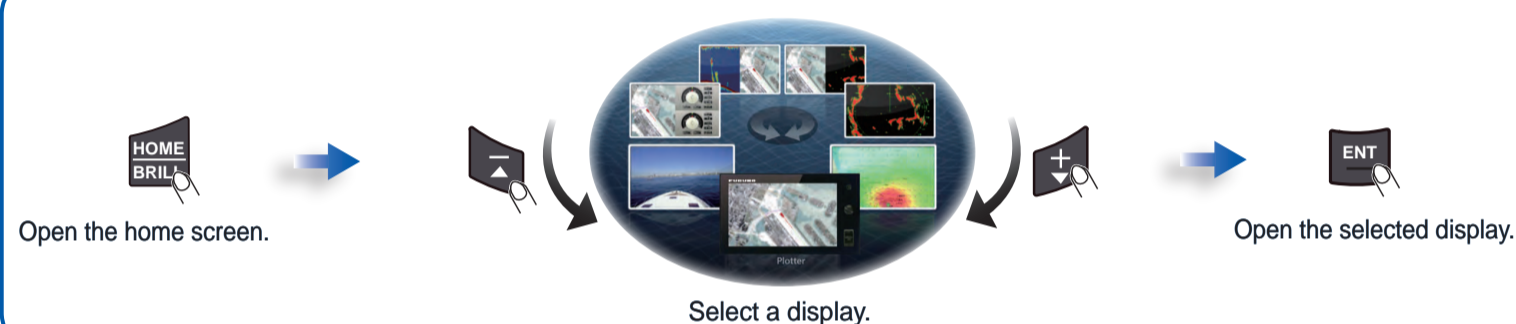
RotoKey™ menu operation



Pop-up menu operation



Display selection



Basic operation

Zoom in and out

The +, - keys zoom in or out the chart scale (Plotter/Weather display) and select the range (Radar/Fish finder display).

Zoom in

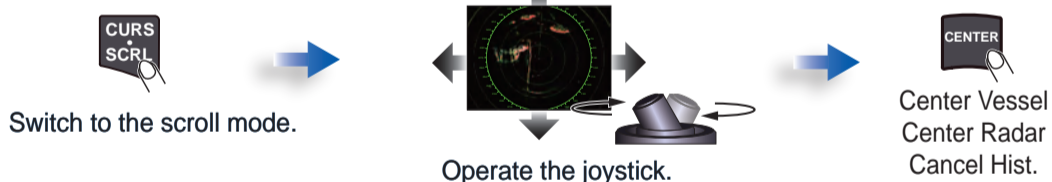


Zoom out



Scroll mode operation

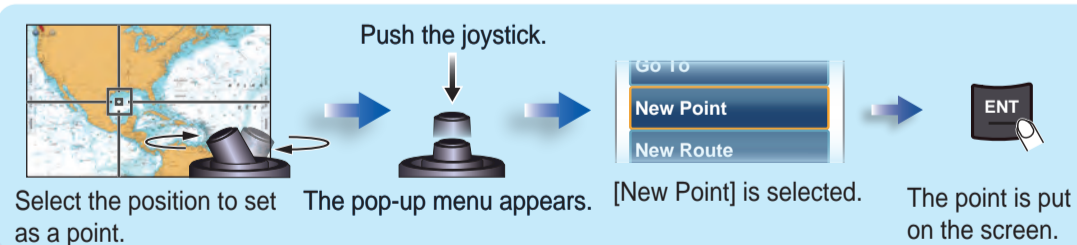
You can pan the display (Plotter/Weather/Radar display), shift the range and scroll back the picture (Fish finder display) with the joystick. To switch to the scroll mode, press the **CURS•SCRL** key. In the scroll mode, the cursor disappears.



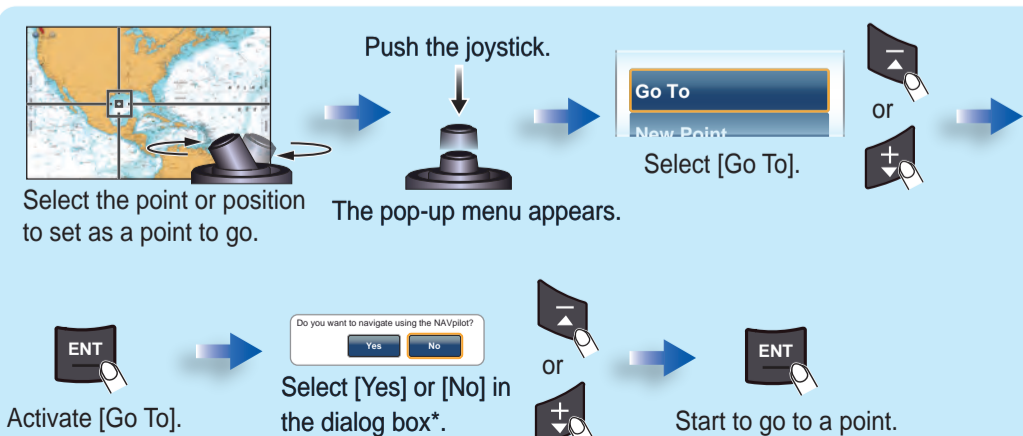
Note: In the cursor mode, you can pan the display by moving the cursor to the edge of the screen. This function is available in the full screen Plotter/Weather/Radar display.

How to put a point, How to go to a point

How to put a point



How to go to a point



*: Appears when the NAVpilot-700 series Autopilot is installed in the TZT network.

How to put an event mark

