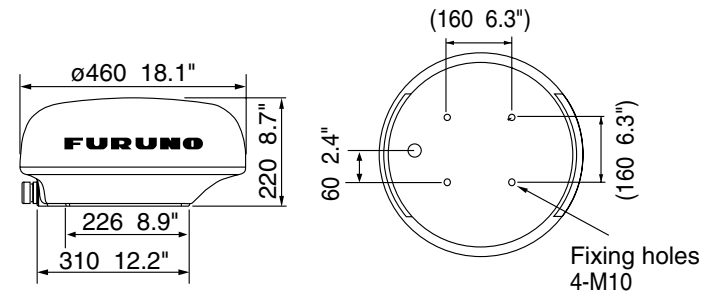


NavNet vx2 [Radar](#) Antenna Dimensional Drawings

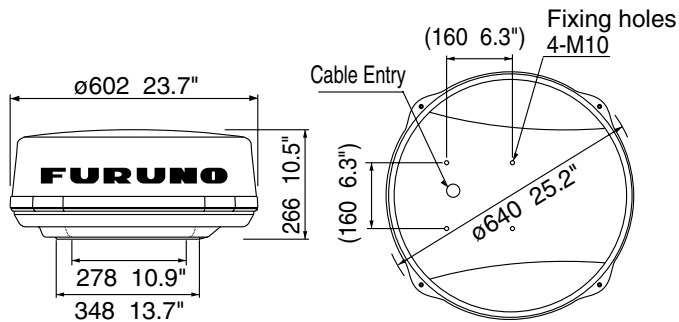
18" Radome Antenna

4.9 kg 10.8 lb



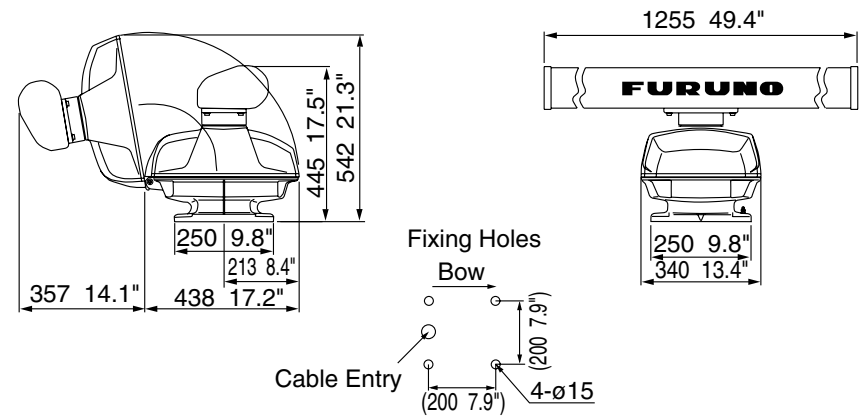
24" Radome Antenna

8 kg 17.6 lb



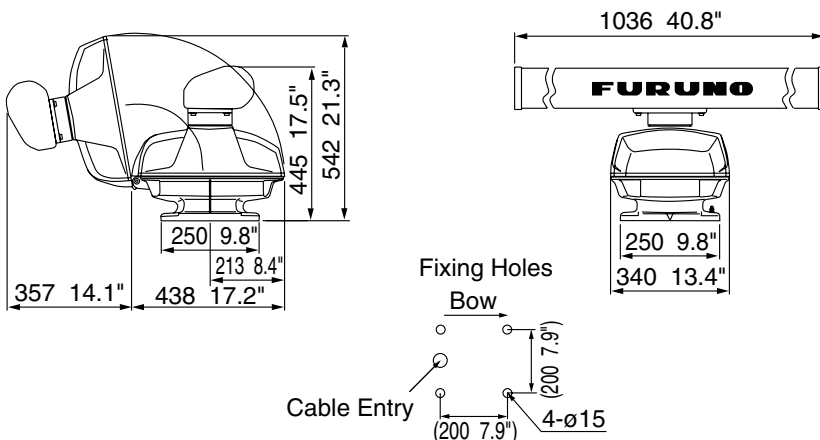
4 ft Open Antenna

23 kg 50.7 lb



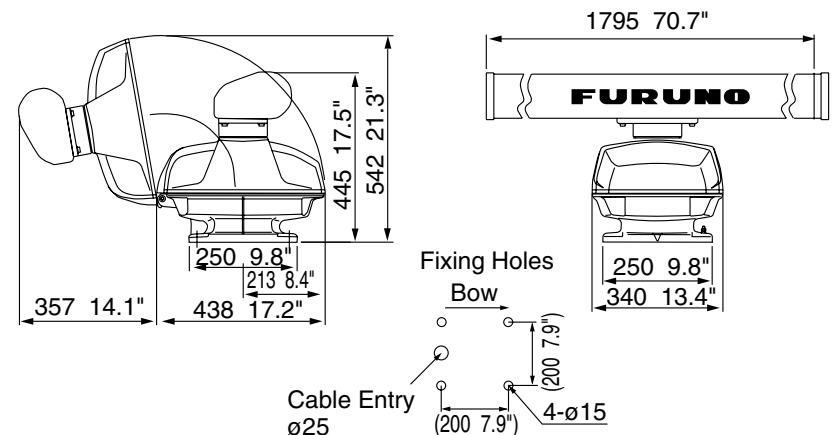
3.5 ft Open Antenna

22 kg 48.5 lb



6 ft Open Antenna

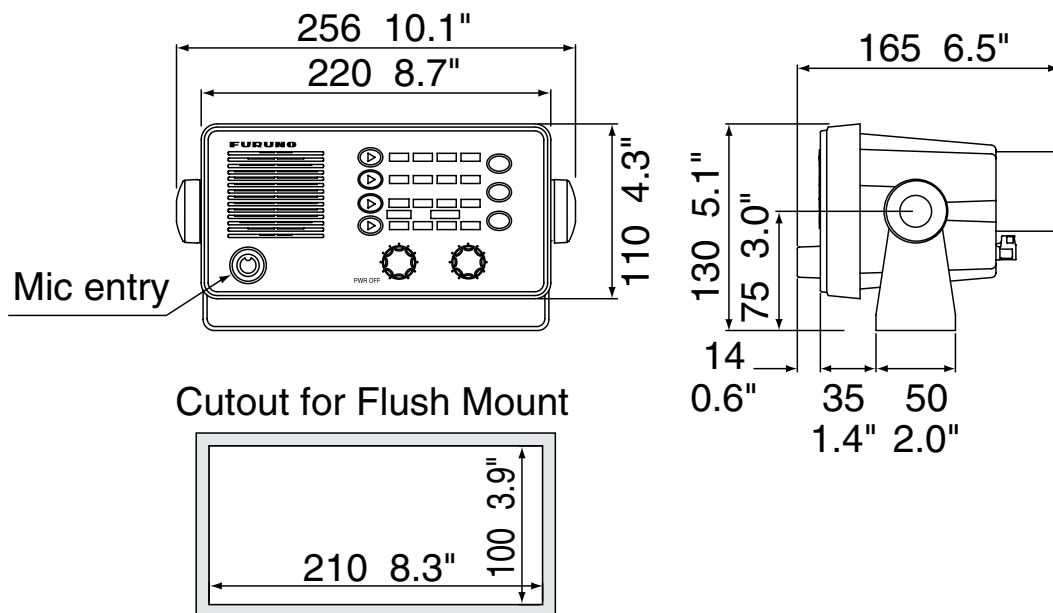
25 kg 55.1 lb



LH3000 Dimensional Drawings

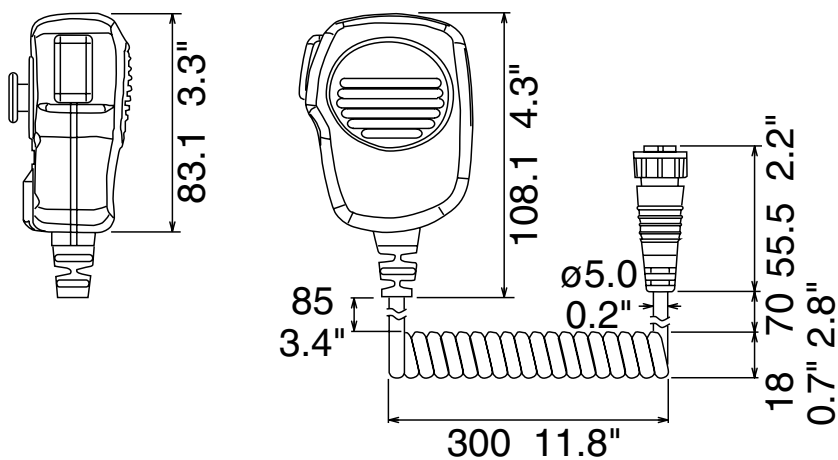
LH3000

2.0 kg 4.4 lb



LH3000 Microphone

0.2 kg 0.44 lb

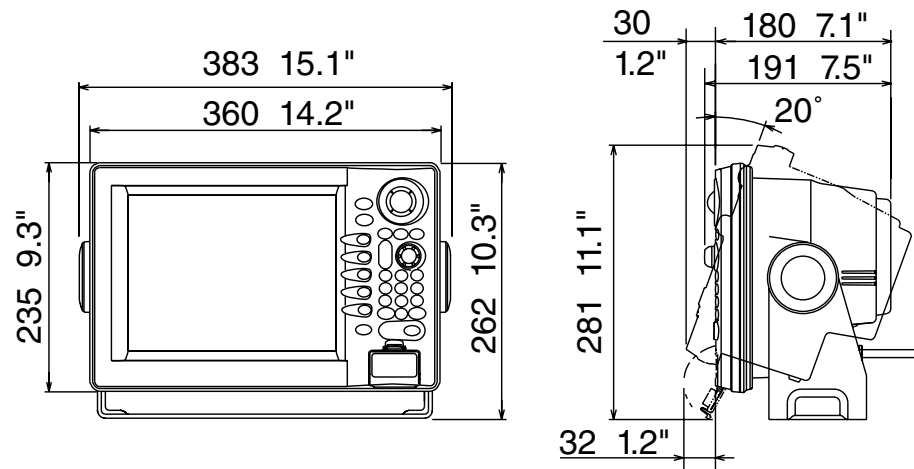


NavNet vx2 10.4" LCD Display

Dimensional Drawings

10.4" LCD (Bracket Mount)

6.0 kg 13.2 lb



10.4" LCD (Flush Mount)

5.2 kg 11.5 lb

