

INTEGRATED HEADING SENSOR PG-700

Fluxgate magnetic sensor with enhanced stability by a solid-state rate gyroscope



- ▶ **A fluxgate magnetic sensor in conjunction with a solid-state angular rate heading**
- ▶ **Offers a high level of accuracy and stability : $\pm 1.0^\circ$**
- ▶ **Compact unit with L-bracket allows flexible installation**
- ▶ **Automatic magnetic field distortion correction*** *Correction should be done first by manual.
- ▶ **Provides precision heading data to Furuno CAN bus devices**



What is CAN bus?

CAN bus is a communication protocol that shares multiple data and signals through a single backbone cable. You can simply connect PG-700 onto the backbone cable to expand your network onboard. With CAN bus, IDs are assigned to all the devices, and status of each sensor in the network can be monitored.

SPECIFICATIONS OF PG-700

- 1. Accuracy** $\pm 1.0^\circ$ (horizontal)*
*When magnetic field distortion corrected.
NOTE: Sensor accuracy depends on installation and other factors
- 2. Heading resolution** 0.1°
- 3. Follow-up** $45^\circ/\text{s}$ rate-of turn
- 4. Interface**
Port: CAN bus: 1
Output: Vessel Heading (127250),
Magnetic Compass Status* (065284),
ISO Acknowledgement (059392),
ISO Request (059904),
Address Claim (060928),
NMEA Acknowledge (126208),
PGN List (126464),
Product Information (126996),
Self Test Report* (130816),
Heading & Attitude Sensor Control Status* (130818),
Unit Division Code* (130822),
Browser Control Status* (130823),

Magnetic Compass Control Status* (065283),
Rate Gyro Data* (065285),
GMM Message* (126720, #4=4)
ISO Request (059904),
Address Claim (060928),
Self Test Group Function* (061184),
Memory Clear & Reset Group Function* (126720),
NMEA-Request & Command Group Function (126208)

Input:
(*:Furuno PGN)

ENVIRONMENT

Temperature: -15° to $+55^\circ\text{C}$
Waterproofing: IP55
12 VDC (9 - 16 VDC)

POWER SUPPLY EQUIPMENT LIST

Standard

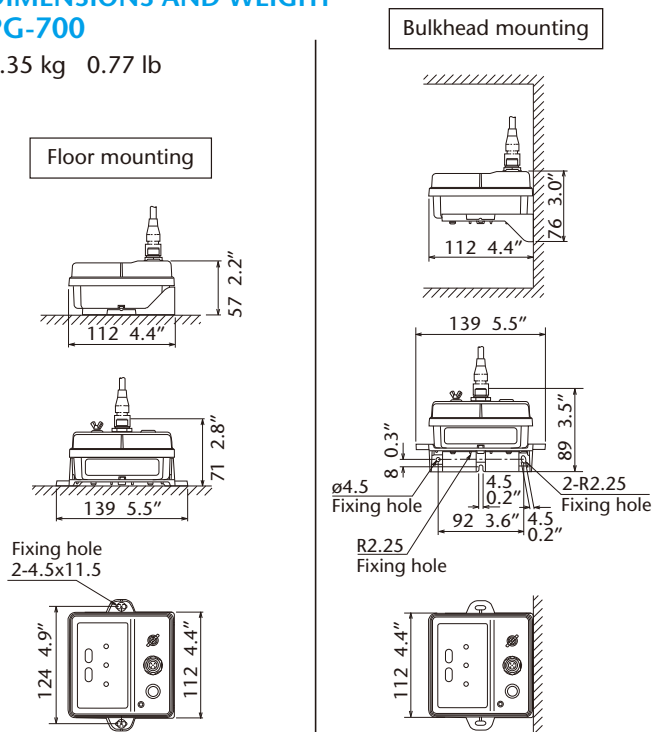
1. Heading Sensor PG-700
2. Installation Materials Includes interface 6m cable: M12-05BM+05BF-060 (19S1162)

Option

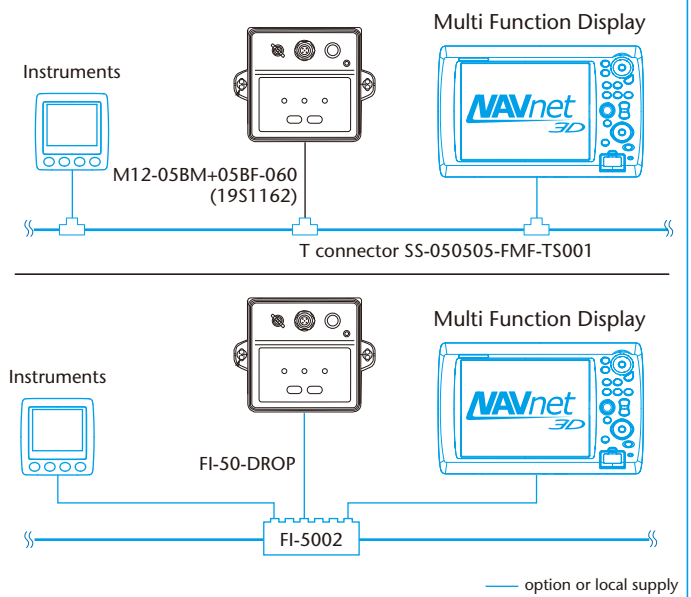
1. Junction Box FI-5002
2. Interface Cable FI-50-DROP

DIMENSIONS AND WEIGHT PG-700

0.35 kg 0.77 lb



INTERCONNECTION DIAGRAM



All brand and product names are registered trademarks, trademarks or service marks of their respective holders.
SPECIFICATIONS SUBJECT TO CHANGE WITHOUT NOTICE