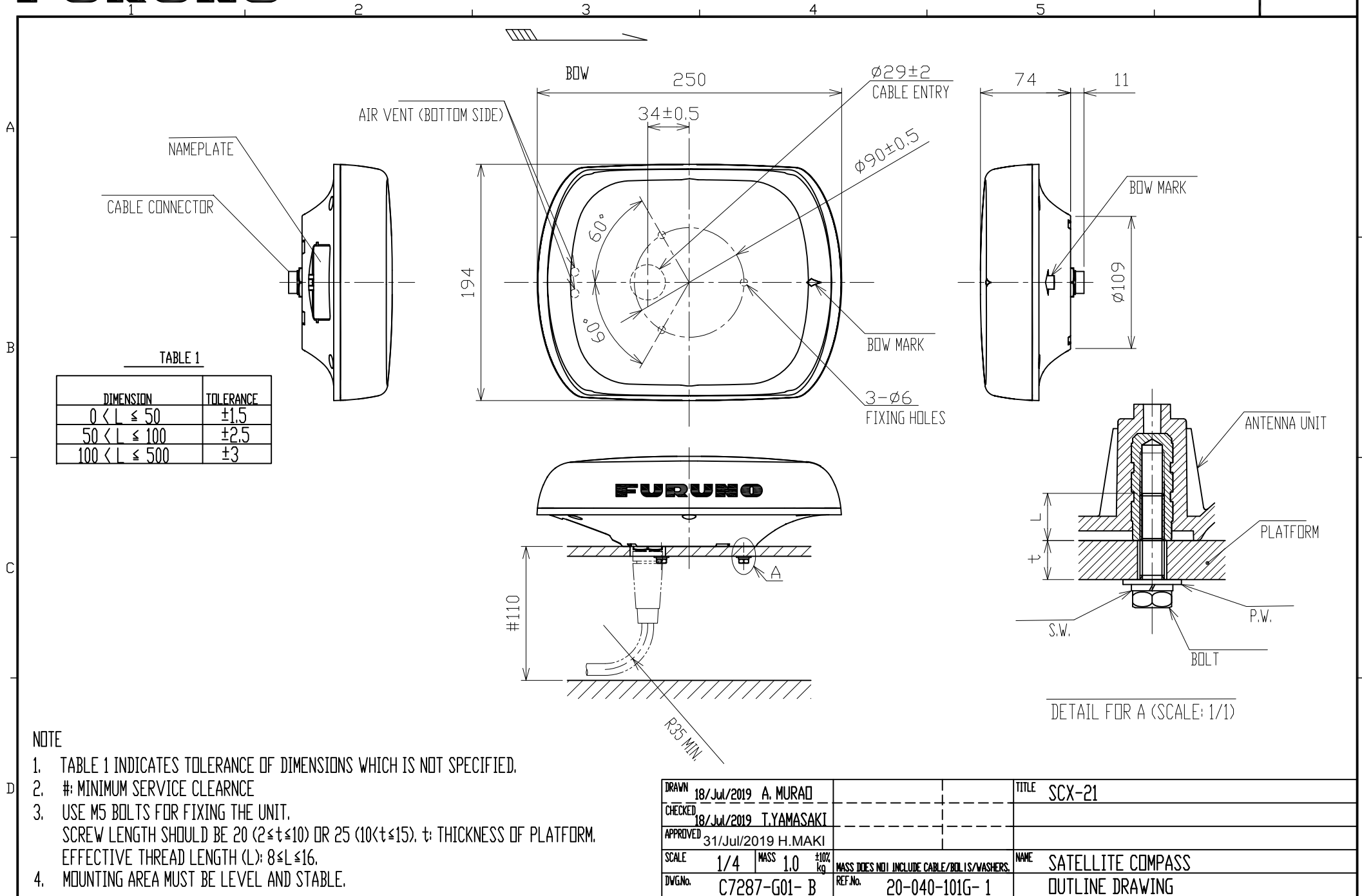


# FURUNO



DRAWN	18/Jul/2019	A. MURAO	TITLE	SCX-21
CHECKED	18/Jul/2019	T. YAMASAKI		
APPROVED	31/Jul/2019	H. MAKI		
SCALE	1/4	MASS 1.0 $\pm 10\%$ kg	NAME	SATELLITE COMPASS
DWG No.	C7287-G01-B	REF.No.	20-040-101G-1	OUTLINE DRAWING