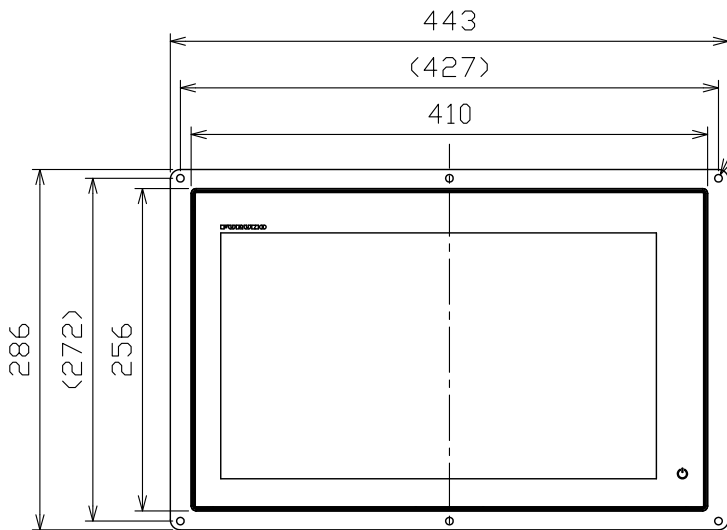
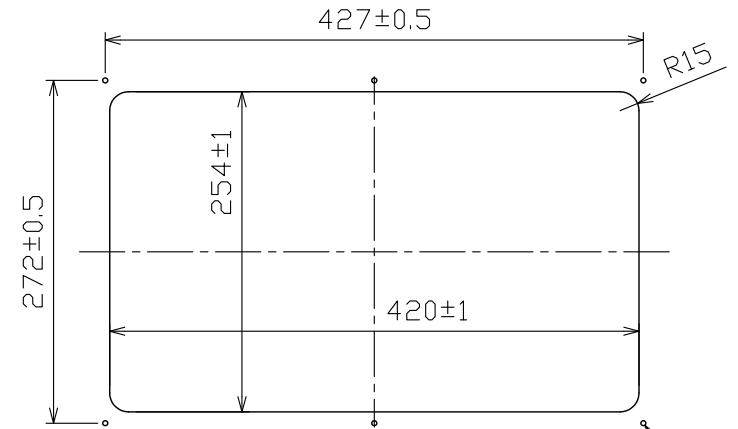
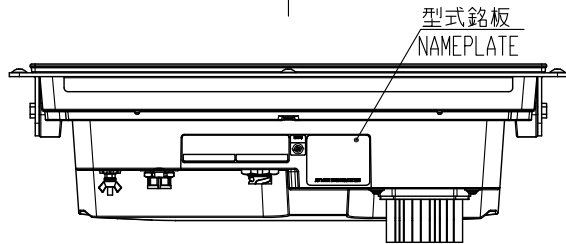
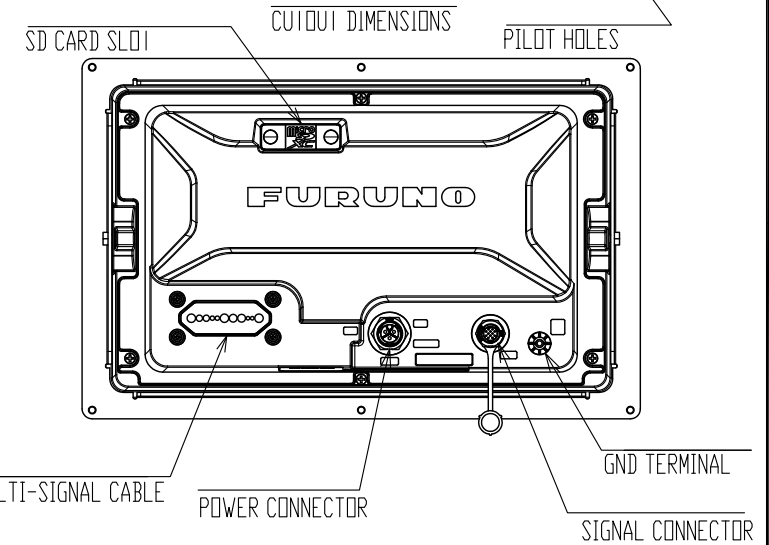
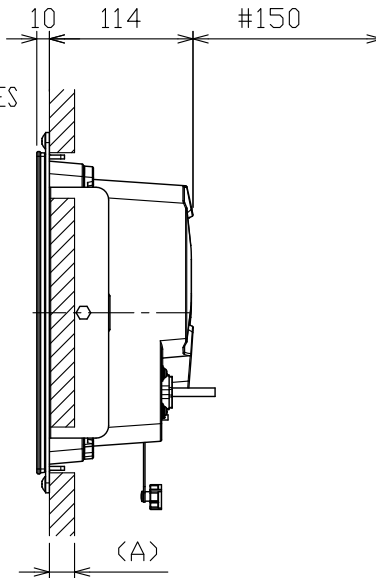


表1 TABLE 1

DIMENSION	TOLERANCE
$L \leq 50$	± 1.5
$50 < L \leq 100$	± 2.5
$100 < L \leq 500$	± 3



6- $\phi 6$
FIXING HOLES



NOTE

1. TABLE 1 INDICATES TOLERANCE OF DIMENSIONS WHICH IS NOT SPECIFIED.
2. #: MINIMUM SERVICE CLEARANCE.
3. USE TAPPING SCREWS $\phi 5 \times 20$ FOR FIXING THE UNIT.
4. BULKHEAD THICKNESS (A): 10 OR MORE.

DRAWN	11/Jun/2019 T.YAMASAKI		TITLE	TZT16F	
CHECKED	11/Jun/2019 H.MAKI				
APPROVED	14/Jun/2019 H.MAKI				
SCALE	1/5	MASS	6.0 $\pm 10\%$ kg	NAME	MULTI FUNCTION DISPLAY (FLUSH MOUNT F)
DWGNo.	C4511-G03-A		MASS INCLUDES MUL 11 SIGNAL CABLE.	REF.No.	19-034-142G-1
					OUTLINE DRAWING