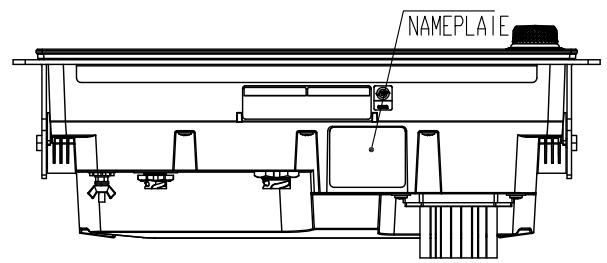
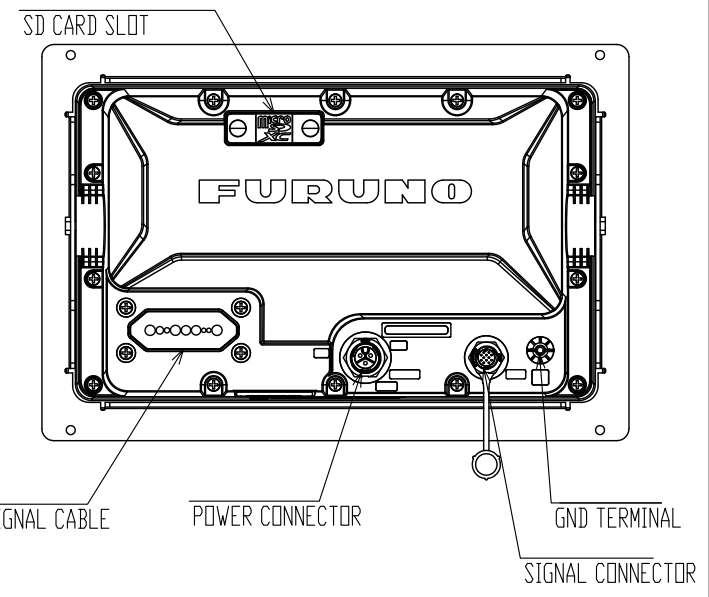
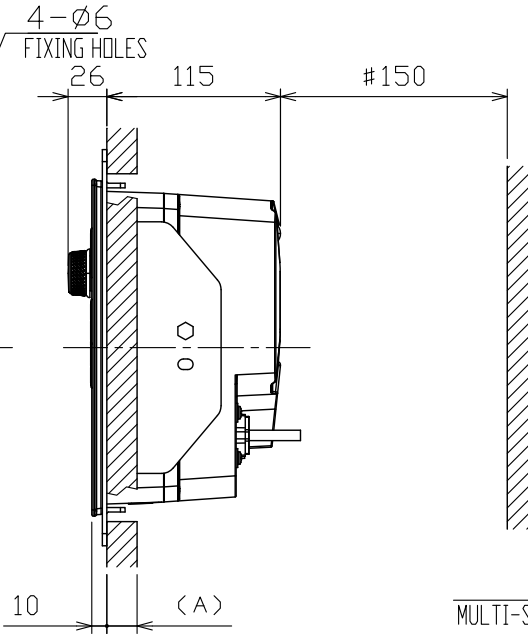
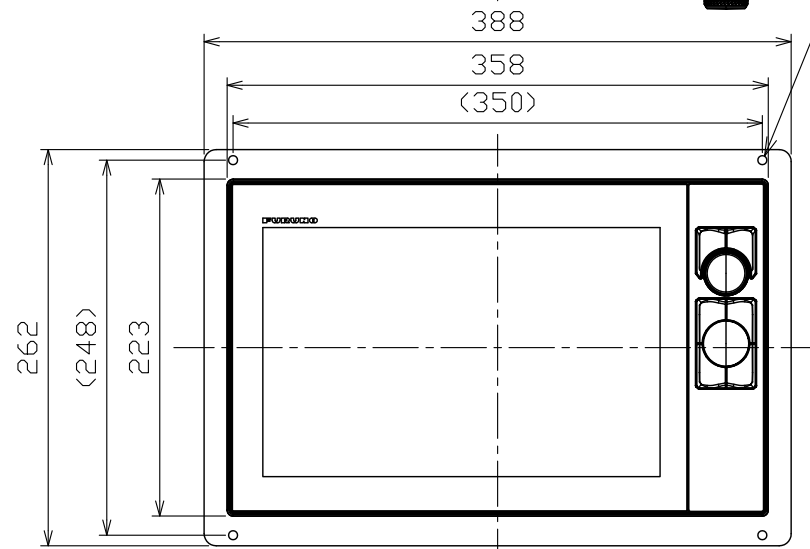
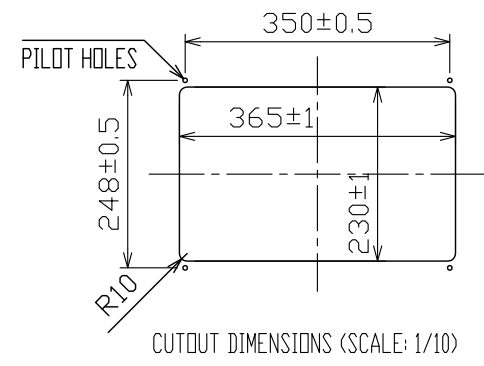


TABLE 1

DIMENSION	TOLERANCE
$L \leq 50$	± 1.5
$50 < L \leq 100$	± 2.5
$100 < L \leq 500$	± 3



NOTE

- TABLE 1 INDICATES TOLERANCE OF DIMENSIONS WHICH IS NOT SPECIFIED.
- #: MINIMUM SERVICE CLEARANCE.
- USE TAPPING SCREWS $\phi 5 \times 20$ FOR FIXING THE UNIT.
- BULKHEAD THICKNESS (A): 10 OR MORE.

DRAWN	10/Jun/2019 T.YAMASAKI	TITLE	TZT12F
CHECKED	10/Jun/2019 H.MAKI		
APPROVED	14/Jun/2019 H.MAKI		
SCALE	1/5	MASS	5.3 ±10% kg
DWG.No.	C4510-G03-A	REF.No.	19-034-122G-1
		MASS INCLUDES MULTI-SIGNAL CABLE.	NAME
			MULTI FUNCTION DISPLAY (FLUSH MOUNT F)
			OUTLINE DRAWING