

Fixed 2 in. NPS Waketower Bracket Installation Instructions

Important Safety Information

⚠ WARNING

Failure to follow these warnings and cautions could result in personal injury, damage to the vehicle or vessel, or poor product performance.

This device must be installed according to these instructions.

Disconnect the vehicle's or vessel's power supply before beginning to install this product.

⚠ CAUTION

Continuous exposure to sound pressure levels over 100 dBA may cause permanent hearing loss. The volume is typically too loud if you cannot hear people speaking around you. Limit the amount of time you listen at high volume. If you experience ringing in your ears or muffled speech, stop listening and have your hearing checked.

Always wear safety goggles, ear protection, and a dust mask when drilling, cutting, or sanding.

NOTICE

When drilling or cutting, always check what is on the opposite side of the surface.

It is strongly recommended that you have your audio system installed by a professional installer to ensure optimum performance.

You must read all installation instructions before beginning the installation.

What's In the Box

- Two fixed 2 in. NPS waketower brackets
These brackets are designed to secure FUSION® Waketower Can speakers to a waketower pipe with a 2 in. NPS (60.33 mm) outer diameter.
- Two rubber gaskets
- Eight hex screws for securing the bracket to the speaker and the waketower

Tools Needed

- Drill and 12 mm (1/2 in.) drill bit
- 6 mm hex driver or hex key
- Wire strippers
- Solder and heat-shrink tubing for wire connections
- Rubber grommets to prevent cable chafing (optional)

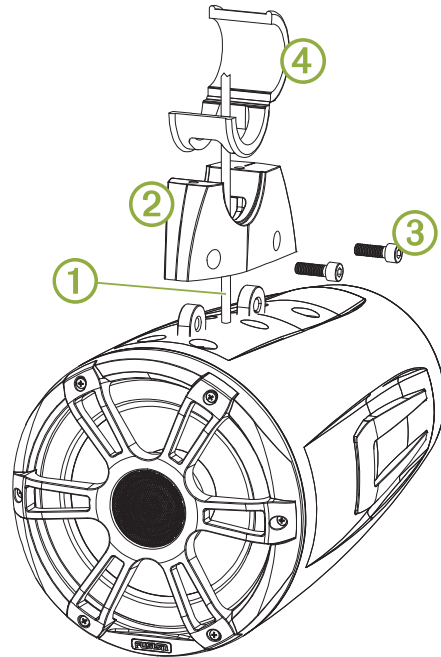
NOTE: For customized installations, additional tools and materials may be needed.

Mounting the Bracket

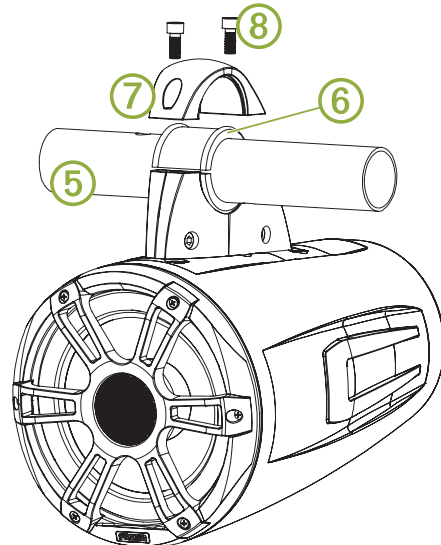
These brackets secure FUSION Waketower Can speakers (sold separately) to a waketower.

- 1 If necessary, mark the locations on the waketower where you plan to mount the speakers.
- 2 If necessary, drill a 12 mm (1/2 in.) cable pass-through hole in the bottom of the waketower.
- 3 If necessary, route the speaker and LED power wires (not included) through the waketower to the mounting locations.
- 4 Install a rubber grommet (not included) in the cable pass-through hole in the bottom of the waketower to help prevent cable chafing (optional).
- 5 Feed the speaker cable ① from the FUSION Waketower Can speaker through the base of the bracket ②, and secure the

bracket to the speakers using the included screws ③ with a 6 mm hex driver or hex key.



- 6 Feed the speaker cable through the bottom of the included rubber gasket ④.
- 7 Using the installation instructions provided with the FUSION Waketower Can speakers, connect the speaker and LED wires.
- 8 Feed the connected wires through the pass-through hole into the waketower.
- 9 Hold the base of the bracket against the waketower ⑤, and place the gasket ⑥ around the waketower.

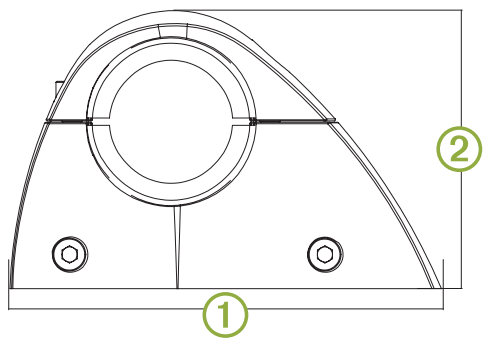


- 10 Place the top of the bracket ⑦ over the waketower and onto the base of the bracket.
- 11 Secure the top of the bracket to the base of the bracket using the included screws ⑧ with a 6 mm hex driver or hex key.

Specifications

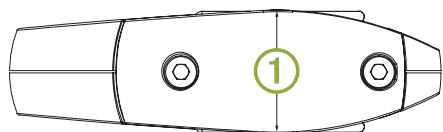
Material	Bracket: aluminum alloy Gasket: rubber
Supported waketower pipe size	2 in. NPS (60.33 mm) outer diameter

Bracket Side Dimensions



①	174 mm (6 ⁷ / ₈ in.)
②	112 mm (4 ⁷ / ₁₆ in.)

Bracket Top Dimensions



①	50 mm (2 in.)
---	---------------