

Universal Fixed Bracket for 8.8 in. Waketower Can Speakers Installation Instructions

Important Safety Information

⚠ WARNING

Failure to follow these warnings and cautions could result in personal injury, damage to the vehicle or vessel, or poor product performance.

This device must be installed according to these instructions.

Disconnect the vehicle's or vessel's power supply before beginning to install this product.

⚠ CAUTION

Continuous exposure to sound pressure levels over 100 dBA may cause permanent hearing loss. The volume is typically too loud if you cannot hear people speaking around you. Limit the amount of time you listen at high volume. If you experience ringing in your ears or muffled speech, stop listening and have your hearing checked.

Always wear safety goggles, ear protection, and a dust mask when drilling, cutting, or sanding.

NOTICE

When drilling or cutting, always check what is on the opposite side of the surface.

It is strongly recommended that you have your audio system installed by a professional installer to ensure optimum performance.

You must read all installation instructions before beginning the installation.

What's In the Box

- Two universal waketower brackets
- Two silicon liners
- Plastic inserts to adjust for the waketower pole diameter
These inserts allow the brackets to attach securely to a waketower with a pipe diameter from 33.4 mm (1.31 in.) to 63.5 mm (2.5 in.). See the specifications for a complete list of compatible pipe diameters.
- Eight hex screws and washers for securing the brackets to the speakers and the waketower

Tools Needed

- Drill and 12 mm (1/2 in.) drill bit
- 6 mm hex driver or hex key
- Scissors or knife
- Wire strippers
- Solder and heat-shrink tubing for wire connections

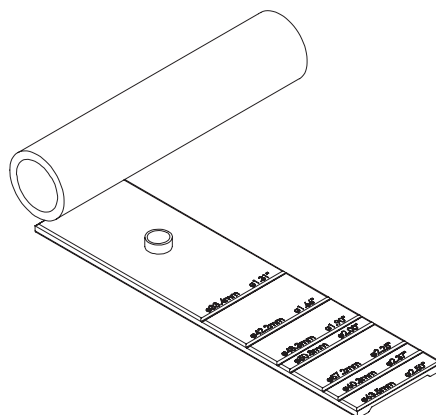
NOTE: For customized installations, additional tools and materials may be needed.

Mounting the Bracket

You can mount FUSION® Waketower Can speakers (sold separately) to a waketower using the included brackets.

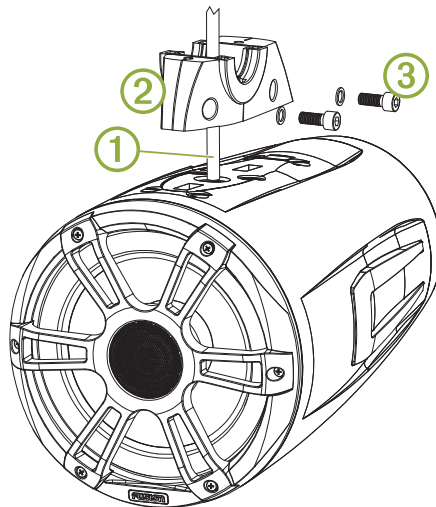
- 1 If necessary, mark the locations on the waketower where you plan to mount the speakers.
- 2 If necessary, drill a 12 mm (1/2 in.) cable pass-through holes in the bottom of the waketower.
- 3 If necessary, route the speaker and LED power wires (not included) through the waketower to the mounting locations.

- 4 Starting with one mounting location, place the included silicon liner onto the waketower pipe and wrap it around the pipe.

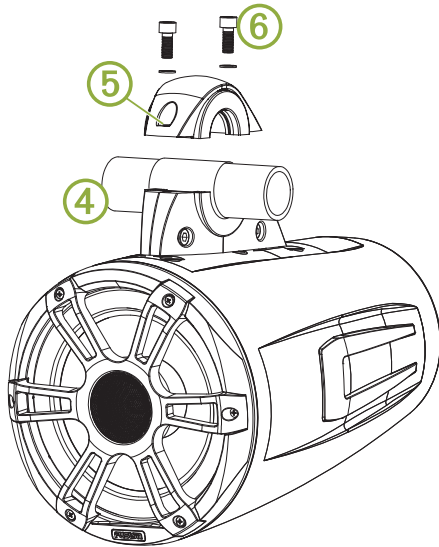


The raised, cable pass-through hole on the liner should fit into the cable pass-through hole on the waketower pipe.

- 5 Verify the diameter marking on the silicon liner, remove the liner from the pipe, and cut the liner to the correct size for your waketower pipe.
- 6 Referring to the mark you cut on the silicon liner, select the appropriate plastic spacer to mount the bracket to the waketower pipe.
NOTE: No spacer is necessary when installing the bracket onto the largest compatible waketower pipe of 63.5 mm (2.5 in.).
- 7 Push each half of the spacer into the base and top of the bracket.
The spacer halves should fit securely into each half of the bracket.
- 8 Feed the speaker cable ① from the FUSION Waketower Can speaker through the base of the bracket ②, and attach the bracket to the speakers using the included screws ③ with a 6 mm hex driver or hex key.



- 9 Feed the speaker cable through the silicon liner you prepared in step 5.
- 10 Using the installation instructions provided with the FUSION Waketower Can speakers, connect the speaker and LED wires.
- 11 Feed the connected wires through the pass-through hole into the waketower.
- 12 Wrap the silicon liner around the waketower pipe ④ and hold the base of the bracket against the pipe.



13 Place the top of the bracket ⑤ over the pipe and silicon liner, and hold it against the base of the bracket.

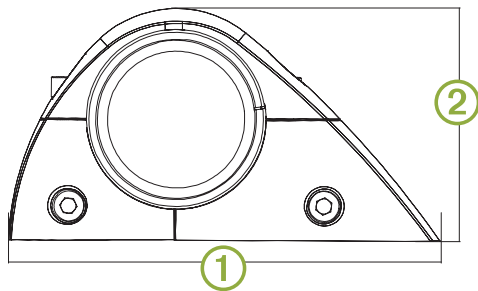
14 Attach the top of the bracket to the base of the bracket using the included screws ⑥ with a 6 mm hex driver or hex key.

15 Repeat these steps for additional brackets.

Specifications

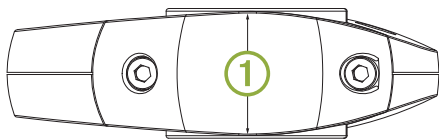
Material	Bracket: aluminum alloy Liner: silicon Spacer: plastic
Supported waketower pipe sizes	33.4 mm (1.31 in.), 42.2 mm (1.66 in.), 48.3 mm (1.90 in.), 50.8 mm (2.00 in.), 57.2 mm (2.25 in.), 60.3 mm (2.37 in.), and 63.5 mm (2.50 in.) outer diameter using the included spacers

Bracket Side Dimensions



①	174 mm (6 ⁷ / ₈ in.)
②	94 mm (3 ³ / ₄ in.)

Bracket Top Dimensions



①	52 mm (2 ¹ / ₁₆ in.)
---	--------------------------------------------