

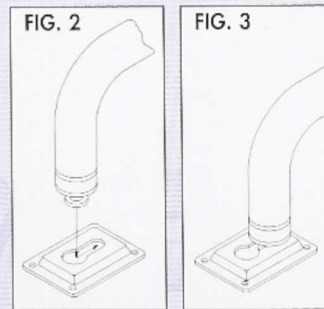
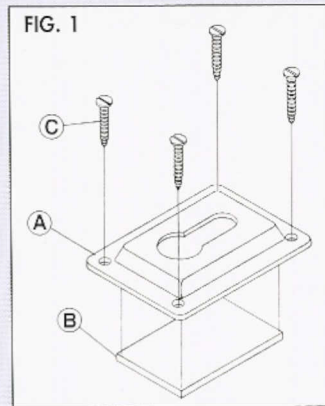
# For Pontoon Boats

## LADDERS BUILT WITH INTEGRITY!

Thank you for selecting our superior quality Garelick EEz-In Brand Boarding Ladder. Your ladder was designed and manufactured using the finest material available to provide long product life. Choosing the proper size ladder for location and correct fit is important to assure safe, convenient, and reliable use.

### MOUNTING INSTRUCTIONS

1. This ladder is designed to be mounted on the pontoon at the side gate as follows:
2. Fold out hooks. Slip ladder catches onto ends of both ladder hooks. Position and mark four mounting holes on deck surface. **(NOTE: Make certain ladder standoffs are at or below the centerline of the pontoon floats.)**
3. See Fig. 1: Drill 8 marked holes with 1/8" dia. drill bit. Secure ladder catch "A" with screws "C" as shown. **(NOTE: Rubber gasket "B" must be inside catch for proper operation. ALSO, larger opening in catch must face away from the ladder and into the deck area.)**
4. Attach ladder to deck by inserting hooks into large opening in catch slot (Fig. 2). Slide latch bolts down into slot (Fig. 3). Make certain ladder hangs perpendicular to water surface. Ladder standoffs can be cut if necessary. To do so, remove rubber tips, cut to desired length and reinstall tips. Rubber tipped standoffs on ladder are intended to abut the pontoon float and cushion the ladder.
5. To remove ladder, slide up and then pull out of catches.



## SAFETY INSTRUCTIONS

- No jumping or diving!
- Do not use when motor is running
- This ladder designed for boat use only
- Face ladder when entering boat or water
- Only one person on the ladder at a time
- Check all steps and hardware before using
- Never operate your boat with the ladder in position. Serious injury or damage to your boat or ladder may result.

## MAINTENANCE

- **Keeping that bright finish!**  
Local weather conditions may contribute to minor corrosion. Aluminum and stainless, like other metals, are not completely free from corrosion attack. Regular fresh water rinsing and periodic cleaning with a mild abrasive cleaner will help to retain lustre.
- **Safety tip**  
Periodically check mounting hardware and re-tighten (due to normal boat operation).

## LIMITED WARRANTY

Garelick Mfg. Co. manufactures a high quality product and wants to ensure that our customers are satisfied. To ensure this we will either repair or replace, at our election, the product if it proves defective because of materials or workmanship at any time within twelve (12) months from the date it is first purchased by a retail customer. This warranty also does not cover repair or replacement required by misuse, abuse or alteration of the product or accidental damage.

In order to obtain this warranty, you must contact us at the address below and upon our authorization, return the defective product with the original purchase invoice to us, at your expense.

This is the only warranty which we give regarding the product and replaces any implied warranty of merchantability or fitness for a purpose as well as any right to incidental, consequential or other damage, unless the laws which apply to you require that we offer a different or additional warranty.