



Installation Instructions for Swimming Ladder Model 15240

Form 12.218

MOUNTING INSTRUCTIONS

1. This ladder was designed to be mounted on the pontoon at the side gate (Fig. 1). Mount ladder at side gate of boat as follows:
2. (Fold out hooks as in Fig. 1.) Slip ladder catches onto ends of both ladder hooks. Position and mark four mounting holes on boat deck. Secure ladder catches (A) in position by drilling eight holes with a 9/64" bit and using screws (C) (Fig. 2). Note: larger opening must face away from ladder and rubber gasket (B) must be inside catch for proper operation.
3. Attach ladder to boat by inserting hooks of ladder into large opening of catch slot (Fig. 3). Slide ladder down (Fig. 4). Make certain that ladder hangs perpendicular to water surface. Vinyl sleeves between first and second step on verticals are intended to abut pontoon and cushion ladder.
4. To remove ladder, slide up and then pull out of catch. Hooks fold flat for easy stowage.
5. **DO NOT USE THIS LADDER WHEN THE BOAT'S MOTOR IS RUNNING.**

FIG. 2

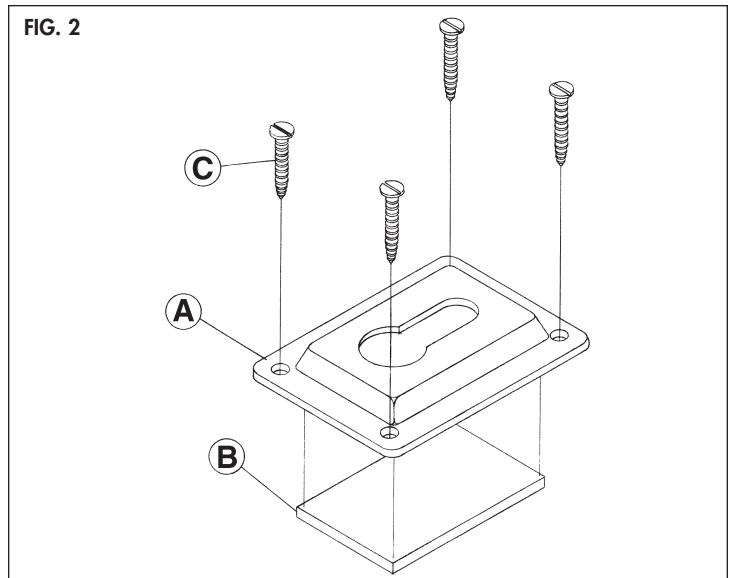


FIG. 1



FIG. 3

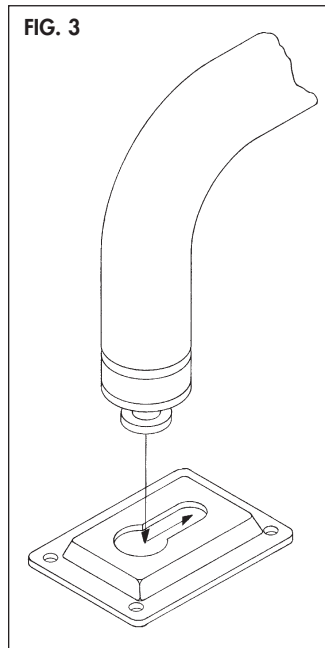


FIG. 4

