



Instructions for: **LOCKING UNDER PLATFORM SLIDING LADDER**

12.643

MOUNTING INSTRUCTIONS

Thank you for selecting our superior quality Garelick EEz-In Brand Boarding Ladder. Your ladder was designed and manufactured using the finest material available to provide long product life. Choosing the proper size ladder for location and correct fit is important to assure safe, convenient, and reliable use.

To select the proper length ladder, choose one that allows at least two steps under water when ladder is deployed.

Choose the most suitable side of your transom platform for mounting the ladder. When mounting, locate a place where the ladder will not interfere with the turning of the motor or be near the propeller of your craft.

See Figure 1

1. Position the mounting bracket with the ladder in the area to be attached. Mark the bracket's six mounting holes onto the deck surface.
2. Drill the six marked holes with a suitable drill bit. **NOTE:** It is recommended to through-bolt this ladder for a secure installation.
3. Mount the ladder in place by holding bracket up to platform and inserting mounting screws. Secure ladder in place with fasteners (not provided, as installations vary).

When underway, fold ladder up and push into locking position. See figure 2.

MAINTENANCE

- **Safety tip**
Periodically check mounting hardware and re-tighten (due to normal boat operation.)
- **Keep that bright finish!**
Local weather conditions may contribute to minor corrosion. Stainless, like other metals, is not completely free from corrosion attack. Regular fresh water rinsing and periodic cleaning with a mild abrasive cleaner will help to retain lustre.

SAFETY GUIDELINES

- No jumping or diving!
- Do not use when motor is running
- This ladder designed for boat use only
- Face ladder when entering boat or water
- Only one person on ladder at a time
- Check all steps and hardware before using
- Never operate your boat with the ladder in "down" position. Serious injury, or damage to your boat or ladder may result.

Figure 1: Fastener Suggestion

Note: Mounting hardware not provided

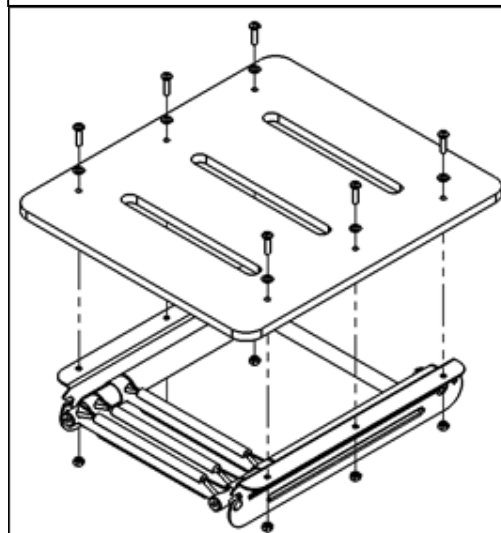


Figure 2

