



Assembly and Installation Instructions for Seat Slides

ASSEMBLY INFORMATION

1. Read instructions completely before starting assembly.
NOTE: This product comes in two separate cartons. One contains the seat cushions; the seat base is in the other.

ASSEMBLY INSTRUCTIONS

Refer to Fig. 1

1. Position your spider on the slideplate (A) so the spider's knob (B) will be opposite the locking hole (C).
2. Align the 4 slotted holes in both the spider casting and the slideplate, insert screws (D) through the slideplate and the spider casting. Secure in position with washers (E) and locknuts (F).

Refer to Fig. 2A or 2B

1. Position the trackplate (B) on your seat's bottom.
2. Align the holes in both the seat and trackplate. Secure the trackplate to your seat with appropriate hardware.
NOTE: Fastener Suggestion is illustrated. Mounting hardware is provided with some slide models.
NOTE: All EEZ-In seats use 1/4"-20 threaded T-nuts.

SPECIAL NOTE: When attaching a slide to an EEZ-In rotational molded seat:

- A. Remove the reinforcement brackets from the seat bottom prior to installation.
- B. Make certain that the portion of the screw entering the seat shell's T-nut does not exceed 3/8". Seat shell T-nuts are 1/4"-20 thread. Use only 1/4"-20 machine screws.

Refer to Fig. 3

1. Pull the packing tape off the trackplate's locking nut (H) and align the holes in the nut and poly sleeve if necessary.
2. Slip the slideplate (A) onto the trackplate (G) as shown.
3. Align the holes in the locking nut and slideplate. Slip the stainless steel washers (I) and the poly washer (J) onto the locking knob (K). Insert the locking knob into the slide plate's hole and thread it into the locking nut. Secure the slide in position.

TO OPERATE

Loosen the locking handle and slide your chair to the desired position. Tighten the handle to secure the slide in place.

CARE AND MAINTENANCE

1. Periodically check all fasteners to insure that they are secure.
2. If necessary, lubricate your slide and spider with a suitable marine grade grease for longevity and smooth operation.

FIG. 2A

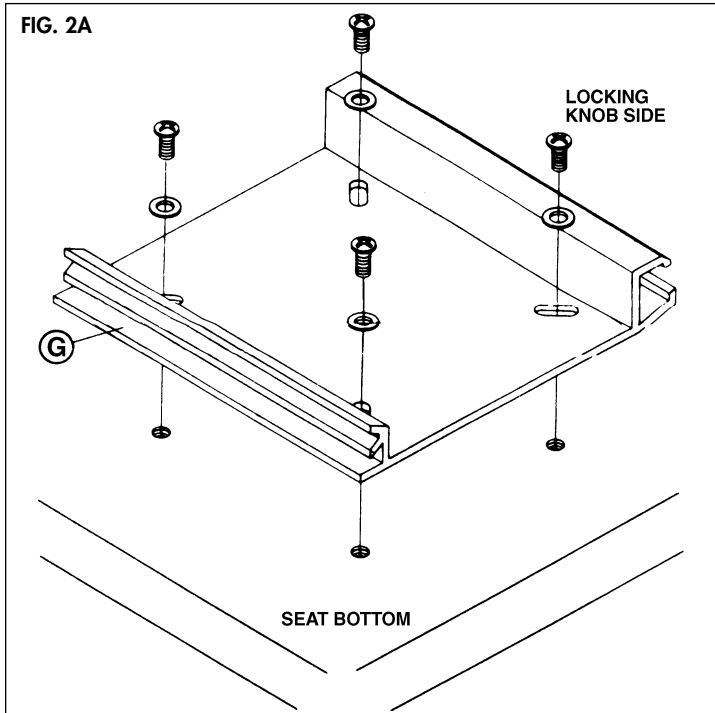


FIG. 2B

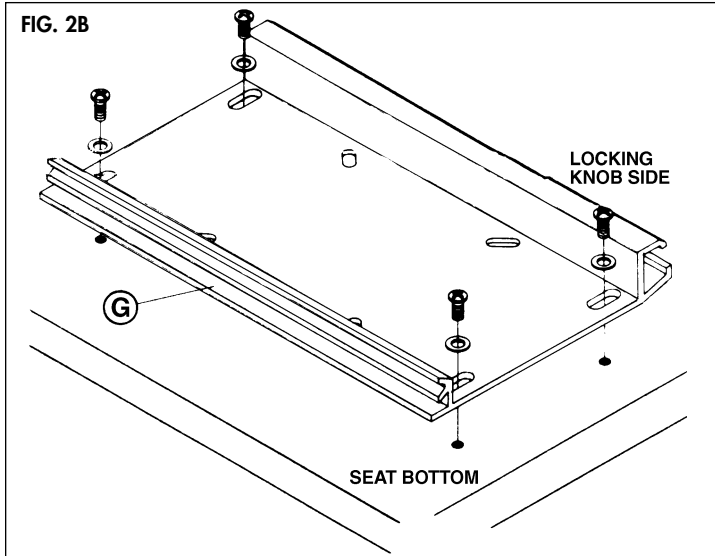


FIG. 3

