



CATALOG



CUSTOM MANUFACTURED SYNTHETIC BUNK COVER FOR TRAILERS, LIFTS, AND DOCKS

Gatorbak Synthetic Bunk Covers are the ONLY clear choice to protect your investment!

Clear Bunk Covers, New For 2017

Gatorbak has always offered three basic colors: grey, black, and white. Over the years we have had customers that have asked for different colors. Now, with our new clear bunk cover you can have ANY color you want. The new covers also allow the user the ability to add thin waterproof LED light strips in any color desired. The possibilities for colors and combinations are unlimited. Because **Gatorbak** offers so many bunk sizes, our customers will be able to add custom color and lighting to any trailer, lift, or dock. Lighted bunks will allow for easier loading and unloading in low light conditions. **Gatorbak** clear synthetic bunks provide the same dependable protection that our customers depend on.

Protect Your Investment



Runway Lighting will Never be the same again.



CHECK OUT MY BUNKS! 

Gatorbak is Protection, Quality, Durability

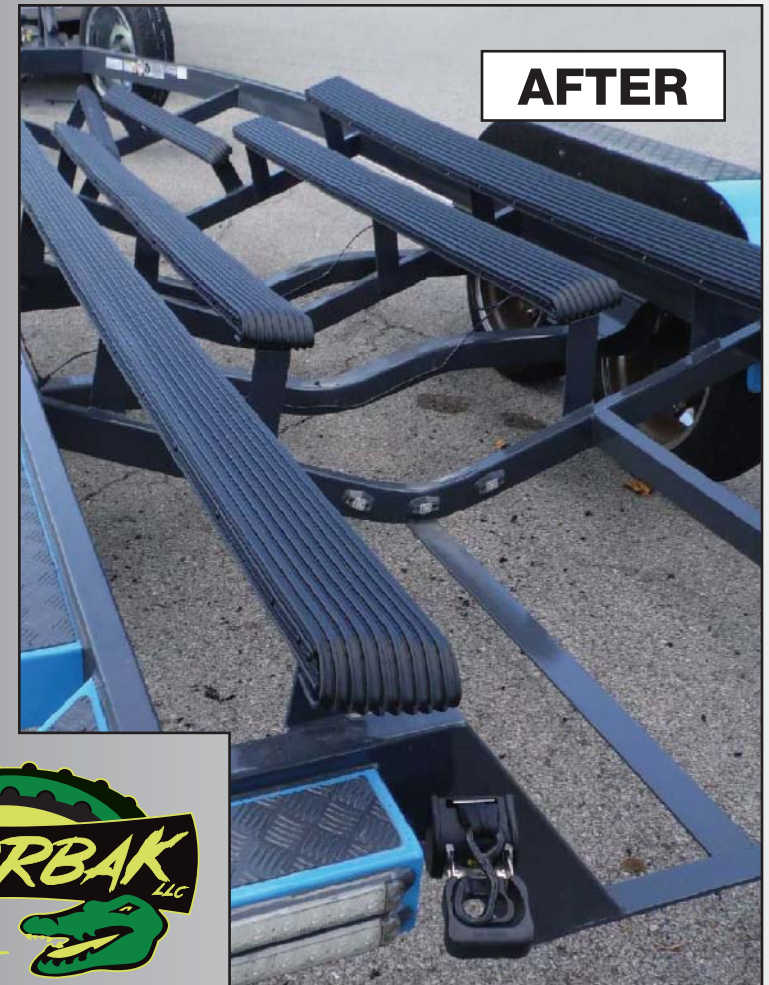
Gatorbak Synthetic Bunk Covers and Dock Bumpers are made from a proprietary compound blend of 100% virgin materials made right here in the USA.

Our products are made to be durable and soft. They are designed for use with any type of hull finish to protect and prolong the life of your watercraft.

Water, debris and other harmful materials easily rinse away, keeping them away from your hull.



Carpet fibers can catch and hold water, dirt, sand, salt and invasive species. Because your boat covers them they may never dry out and the debris is easily caught in the fibers. Over time the build up can make your carpet become rough and cause it to begin scratching your hull. Carpet hot spots and tears are eliminated by **Gatorbak** Bunk Covers. **Gatorbak** provides a three year warranty, is easily rinsed to keep them clean from debris, and will not trap water against the hull allowing blistering or corrosion.





Key Features

***UV resistant, anti-microbial, durable synthetic compound,
3-year limited warranty, direct replacement for bunk
carpeting, stylish long lasting appearance, sizes for any
style bunk, gray, black, white and NEW – premium clear!***

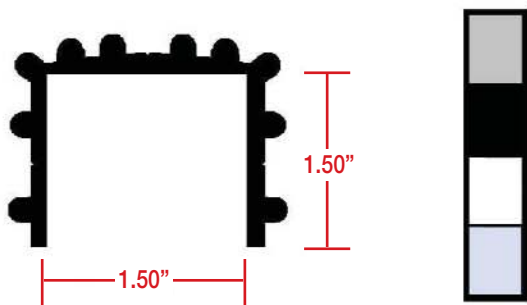


GB150

The GB150 is 1.5" wide, and 1.5" deep and is sold in pairs. It is available in standard lengths of 5, 6, 8, 10, 12 and 14 feet.

This synthetic bunk cover will fit perfectly on the edge of a standard 2x4, 2x6, 2x8, etc., which makes it the perfect boat protection for the side of docks, boat lifts, and boat trailers.

Available in gray, black, white, and clear.

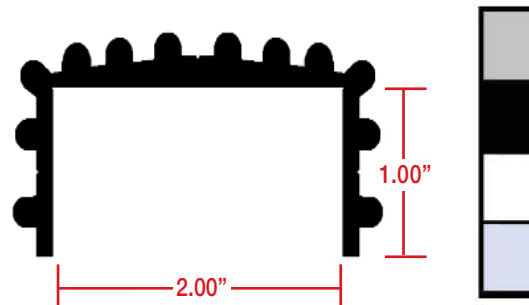


GB200

The GB200 is 2.0" wide, and 1.0" deep and is sold in pairs. It is available in standard lengths of 5, 6, 8, 10, 12 and 14 feet.

The GB200 will fit perfectly over steel or aluminum tubing or channels as well as rough cut marine grade lumber which makes it the perfect protection for docks and lifts as well as dimensional lumber bunks.

Available in gray, black, white, and clear.

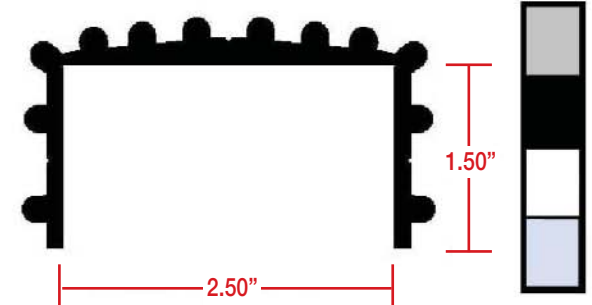


GB250

The GB250 is 2.5" wide, and 1.5" deep and is sold in pairs. It is available in standard lengths of 5, 6, 8, 10, 12 and 14 feet.

The GB250 will fit perfectly over steel or aluminum tubing and channels, which makes it the perfect boat protection for use with metal docks, metal boat lifts, and metal bunk applications.

Available in gray, black, white, and clear.



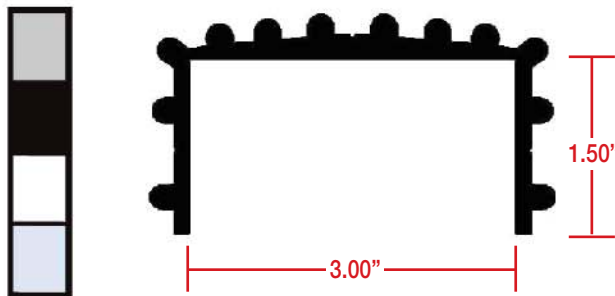


GB300

The GB300 is 3.0" wide, and 1.5" deep and is sold in pairs. It is available in standard lengths of 5, 6, 8, 10, 12 and 14 feet.

The GB300 will fit perfectly over steel or aluminum tubing or channels, which makes it the perfect boat protection for use with metal docks, metal boat lifts, and metal bunk applications.

Available in gray, black, white, and clear.

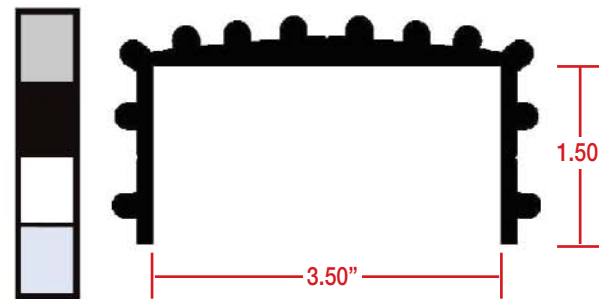


GB350

The GB350 is 3.5" wide, and 1.5" deep and is sold in pairs. It is available in standard lengths of 5, 6, 8, 10, 12 and 14 feet.

The GB350 is designed to fit perfectly over the face of a standard 2x4. One of the most common bunk sizes on the market and a best seller. Used on dry racks, bunk boards, boat lifts and dock applications everywhere.

Available in gray, black, white, and clear.

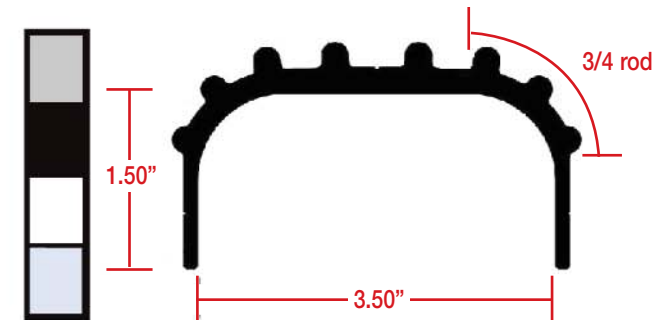


GBRE350

The GBRE350 is 3.5" wide, and 1.5" deep with a 3/4" rounded edge. Sold in pairs and available in standard lengths of 5, 6, 8, 10.5, 12 and 14 feet.

The GBRE350 is designed with rounded edges to fit bunks that are 2x4 on flat and have a 3/4 rounded edge. Used on boats with rounded chines such as Phoenix brand boats and others.

Available in gray, black, white, and clear.



NEW GB350E Plus and GB550E Plus Pontoon Boat Bunk Covers

Our newest line of synthetic bunk covers are geared just for the pontoon boat owner

In recent years the pontoon boat market has been growing and the boats have grown with it. Today's upgraded pontoon boats need just as much protection for their aluminum pontoons as any other type of hull.

Gatorbak Synthetic Bunk Covers will keep your pontoons dry and cushioned with this new lineup of covers designed just for the long bunks found on these trailers.

The design incorporates a back side staple tab to keep things neat and secure. Works with our standard end cap, and has all the durability of a **Gatorbak** brand bunk cover.

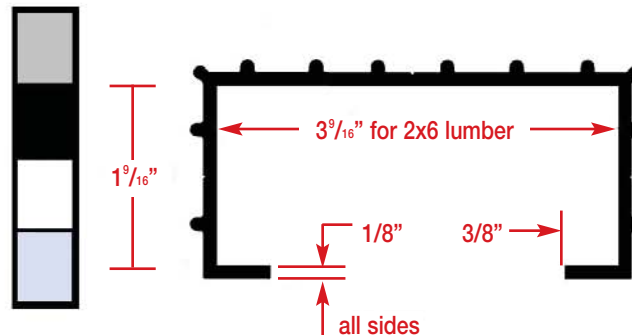


GB350E Plus

The GB350E Plus is 3.56" wide and 1.56" inside height with a 0.187 wrap around mounting lip. Sold in pairs, it is available in standard and extended lengths to accommodate longer bunks.

GB350E Plus is designed to fit pontoon trailer bunks that are made from 2x4 standard lumber. This cover is perfect for V-bracket bunks found on trailers, lifts and storage racks everywhere.

Available in gray, black, white, and clear.

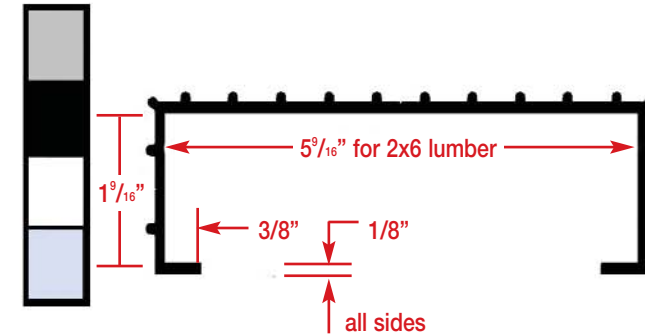


GB550E Plus

The GB550E Plus is 5.56" wide and 1.56" inside height with a 0.187 wrap around mounting lip. Sold in pairs, it is available in standard and extended lengths to accommodate longer bunks.

GB550E Plus is designed to fit pontoon trailer bunks that are made from 2x4 standard lumber. This cover is perfect for V-bracket bunks found on trailers, lifts and storage racks everywhere.

Available in gray, black, white, and clear.



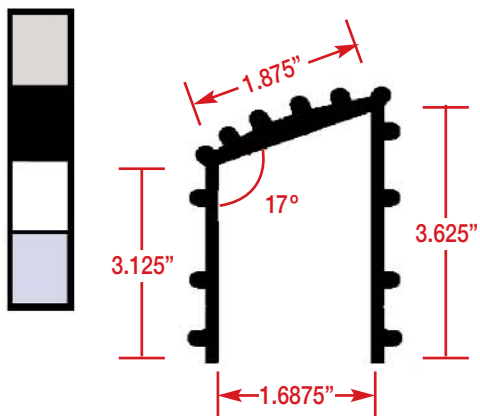


GB175L-17

The GB175L-17 is 1.75" wide and 3.625" on its tallest side, shorter side of 3.125". The top is 1.875" to accommodate a 17 degree top angle. Sold in pairs in lengths of 5, 6, 8, 10, 12, and 14 feet.

GB175L-17 is sized to fit standard 2" marine grade timber used in boat lifts. Easy to install and maintain are the best features next to the protection **Gatorbak** Synthetic Bunk Covers provides

Available in gray, black, white, and clear.

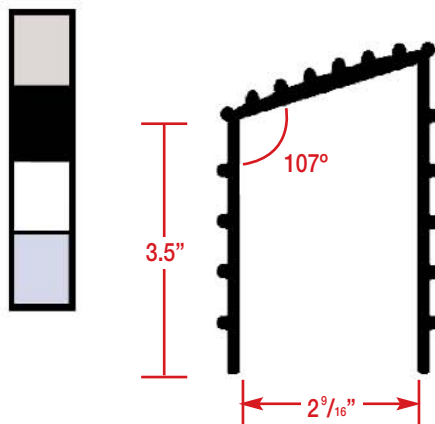


GB275L-17

The GB275L-17 is 2.75" wide and 3.8" on its tallest side, shorter side of 3.5". The top is 2.5625" to accommodate a 17 degree top angle (107 outside). Sold in pairs in lengths of 5, 6, 8, 10, 12, and 14 feet.

GB275L-17 is sized to fit standard 3" marine grade timber used in boat lifts. Easy to install and maintain are the best features next to the protection **Gatorbak** Synthetic Bunk Covers provides

Available in gray, black, white, and clear.

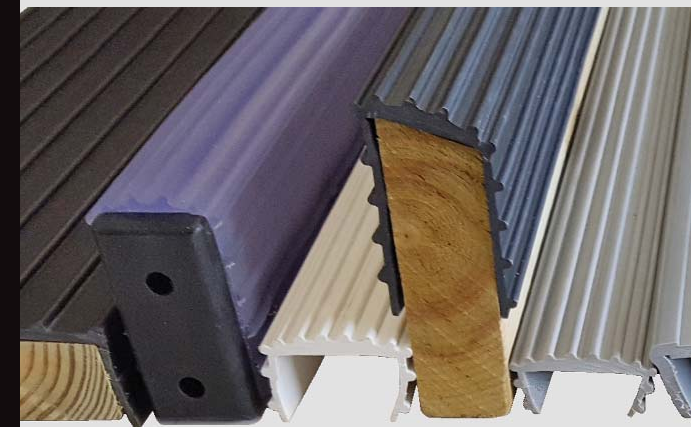


NEW FOR 2017

GB175L-17 and GB275L-17

At **Gatorbak** we provide a large variety of bunk cover sizes. Our lines of bunk products are ever expanding. This year we have taken on the tall bunk lifts with new longer sided legs and additional sizes. These L Series Bunks create a better fit for tall bunk profiles for large and small vessels. GB175-L17 and the larger size GB275-L17 have an angled top to fit the 17 degree angle used on bunks for V-hull types.

Copyright Gatorbak LLC, Patents Pending



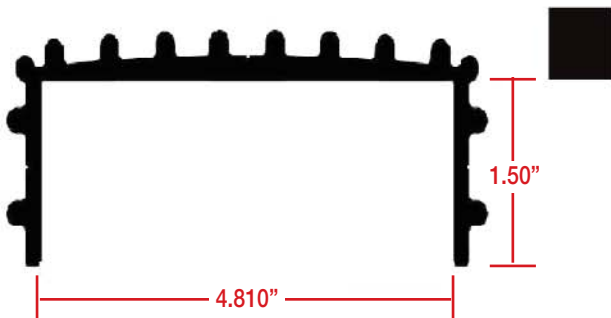


GB475

The GB475 is 4.75" wide, and 1.5" deep and is sold in pairs. It is available in standard lengths of 5, 6, 8, 10, 12 and 14 feet.

GB475 fits 2x4.75 boards. This bunk cover is commonly used for BassCat brand boats and is a direct fit for the chine dimensions found on this craft.

Black – Additional colors available by custom order.

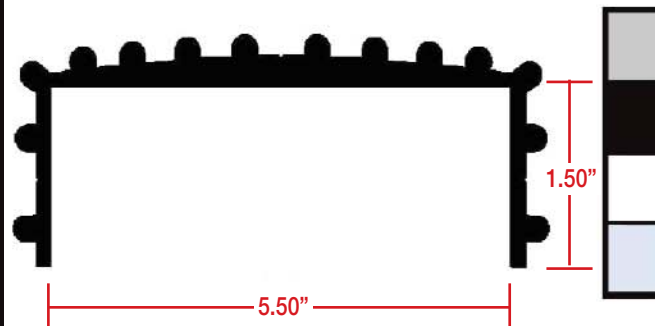


GB550

The GB550 is 5.5" deep, and 1.5" deep and is sold in pairs. It is available in standard lengths of 5, 6, 8, 10, 12 and 14 feet.

The GB550 bunk cover fits perfectly over the face of standard 2x6 boards. This bunk cover is one of the most common sizes used on trailers and lifts. One of our best sellers by far.

Available in gray, black, white, and clear.

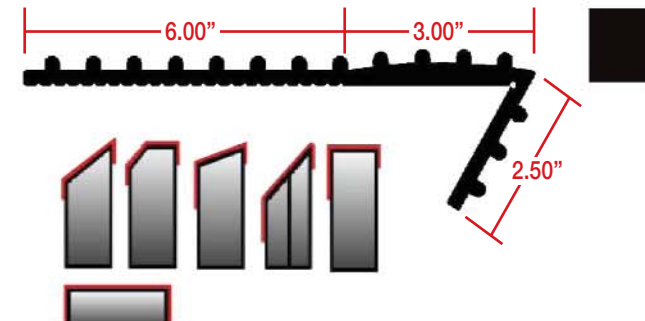


GB7

The GB7 has a 2.5' outside leg, a radial inside corner and 9.0" of overall bunk coverage. After the first 3 inches, the cover has bending points every 1/4" to allow fitment to the inside edge of the bunk.

The GB7 cover is a multi-fit cover designed for use on large beam bunk applications. Perfect for large boats, and heavy duty applications.

Black – Additional colors available by custom order.



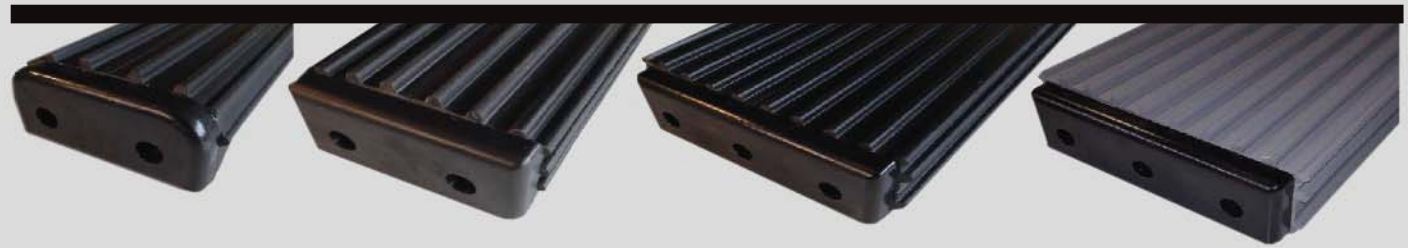
End Cap options

Gatorbak now offers molded end caps for our most popular sizes of bunk covers and we look forward to adding additional sizes in the near future. We currently offer two different types of caps. Flat and molded.

The flat style caps can be used to cap any size bunk profile. Trim them how you like for a fit that matches your bunk look.

Molded ended caps mount directly to the end of the bunk and allow the **Gatorbak** synthetic cover to overlap it by 1/2". Molded end caps include hardware for installation.

See our installation guide for all the tips and tricks for completing your bunk end caps.



GBRE350 ECB

GB350 ECB

GB475 ECB

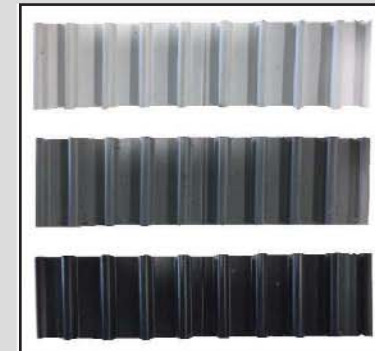
GB550 ECB

Molded end caps are currently only available in black. Easy installation, durable, and gives the bunk a finished look.

Flat style 3 1/2"



Flat style 5 1/2"



Gatorbak flat style end caps are made from the top cover section of the matching bunk cover. They are 3 1/2" or 5 1/2" wide accordingly and are 1 1/2" long to match the end of the bunk board. They are sold in a quantity of four for each package.

Colors available: Gray, black, white, and clear. Mount them flat or recessed. The choice is yours

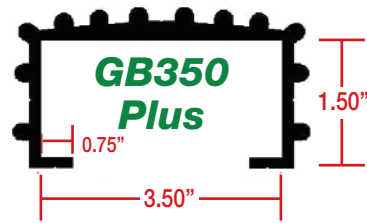


Bunk Covers for Lifts

At **Gatorbak** we manufacture bunk covers for use in all applications. Our lift covers span a wide variety of lift types and profiles to meet the needs of the OEMs we work with.

We use the same quality materials as our standard synthetic bunk covers to manufacture our lift covers.

Our lift covers are durable protection that will last. Our lift covers are used on bunks and other surface areas to add protection for any watercraft. If you have questions about an application, please feel free to contact us for assistance.

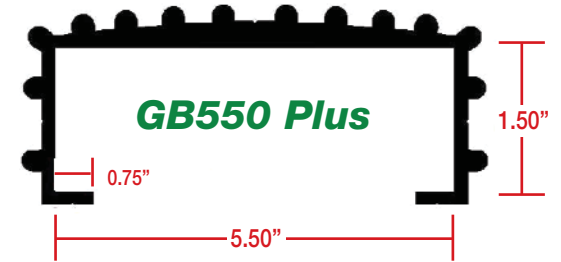


The GB350 Plus is 3.5" wide and 1.5" deep, has 3/4" legs that allow the covers to be attached from the bottom of the bunk board. Typically sold in pairs. It is available in standard lengths of 5, 6, 8, 10, 12 and 14 feet.

This is the bunk cover of choice for 2x4 bunks that will tuck the bunk away and allow hardware to not be seen. Can be used with GB350 ECB molded end caps.



Available in black – Other colors by custom order.

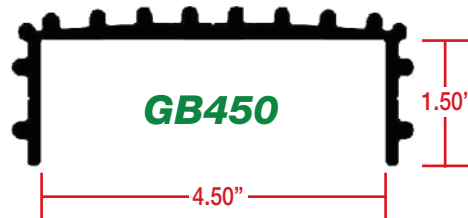


The GB550 Plus is 5.5" wide and 1.5" deep and has 3/4" legs that allow the covers to be attached from the bottom of the bunk board. Typically sold in pairs. It is available in standard lengths of 5, 6, 8, 10, 12 and 14 feet.

This is the bunk cover of choice for 2x6 bunks that will tuck the bunk away and allow hardware to not be seen. Can be used with GB550 ECB molded end caps.



Available in black – Other colors by custom order.



The GB450 is a 4.5" wide and 1.5" deep **Gatorbak** profile bunk cover. Sold in pairs and available in common lengths of 5, 6, 8, 10, 12 and 14 feet lengths.

The GB450 size is ideal for metal tube and channel applications as well as custom width wooden bunks. It incorporates all of the **Gatorbak** standard profile features for special applications in size.



Available in black – Other colors by custom order.



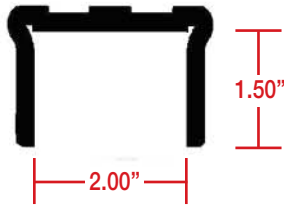
The GB450 HD is 4.5" wide and 1.67" deep. Sold in pairs and available in common lengths of 5, 6, 8, 10, 12 and 14 feet.

This specially designed bunk cover has a thick rib profile on the top that incorporates an arched resting pad. The sides are slightly longer and thicker than our standard bunk profiles. The sides are also smooth to allow easy attachment to metal tube and channel with large head rivets. HD stands for heavy duty and this cover takes the abuse.



Available in black – Other colors by custom order.

GBLB200

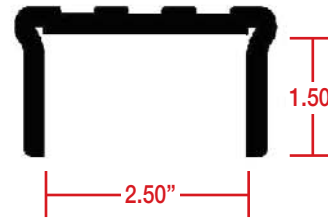


The GBLB200 is 2.0" wide and 1.5" deep. Sold in pairs or by bulk order. Available in standard lengths of 5, 6, 8, 10, 12 and 14 feet.

The Gatorbak Lift Bunk Series feature a thick profile with bolstered corners and flat wide ribs. The GBLB Series covers fits a wide variety of lift bunks. Designed to fit easily on metal channel or tube with robust and flat legs for rivet applications.

Available in black – Other colors by custom order.

GBLB250



The GBLB250 is 2.5" wide and 1.5" deep. Sold in pairs or by bulk order. Available in common lengths of 5, 6, 8, 10, 12 and 14 feet.

The **Gatorbak** lift bunk series features a thick profile with bolstered corners and flat wide ribs. The GBLB series covers fits a wide variety of lift bunks. Designed to fit easily on metal channel or tube with robust and flat legs for rivet applications.

Available in black – Other colors by custom order.

GBLB300

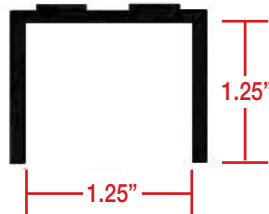


The GBLB300 is 3.0" wide and 1.5" deep. Sold in pairs or by bulk order. Available in common lengths of 5, 6, 8, 10, 12 and 14 feet.

The **Gatorbak** lift bunk series features a thick profile with bolstered corners and flat wide ribs. The GBLB series covers fits a wide variety of lift bunks. Designed to fit easily on metal channel or tube with robust and flat legs for rivet applications.

Available in black – Other colors by custom order.

GBLB125 E ECONOMY



The GBLB125 Economy is 1.25" wide and 1.25" deep. This bunk cover is sold in pairs and is available in lengths of 5 and 5 feet.

Designed to fit personal water craft lifts with metal channel or tube bunks. This cover is the smallest bunk cover we currently make. The Economy Line of **Gatorbak** lift covers is designed for weight and price economy but we have not taken any quality out. Economy Line of covers are surprisingly durable for lift applications.

Available in black – Other colors by custom order.

GBLB300 E ECONOMY



The GBLB300 Economy is 3.0" wide and 1.5" deep. Sold in pairs or by bulk order. Available in common lengths of 5, 6, 8, 10, 12 and 14 foot standard lengths.

Designed to fit metal channel and tube bunk applications as well as wooden bunks in three inch widths.

All Economy Line bunk covers have flat sided legs to allow for easy installation with rivets.

Available in black – Other colors by custom order.

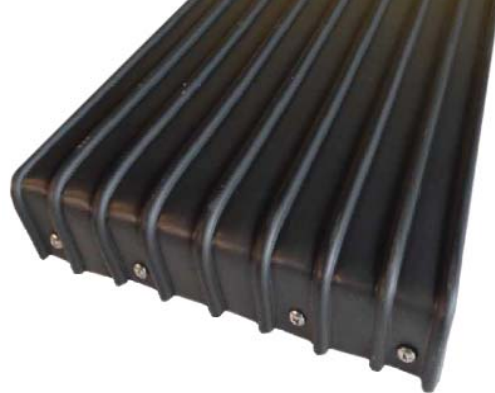
GBLB350 E ECONOMY



The GBLB350 Economy is 3.5" wide and 1.5" deep. Typically sold in pairs. Available in 5, 6, 8, 10, 12 and 14 foot standard lengths.

This cover is our newest addition to the economy line for lift use. Designed to fit the face of standard 2x4 material, making it a natural replacement option for existing lifts on the market with 2x4 bunks. We will continue to grow the Economy Lift Cover Line and new sizes are being developed going into 2017.


Available in black – Other colors by custom order.

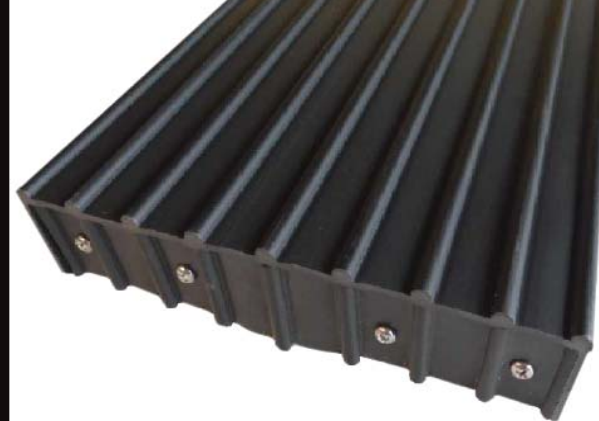
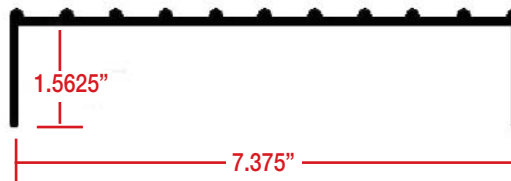


GB750 E

The GB750 Economy is 7.375" wide and 1.5625" deep. This bunk cover is sold in pairs. 10, 12, and 14 foot lengths are available. All other lengths by special order.

The GB750E is designed to be a direct fit for 2x8 standard lumber. Typical application is for pontoon lifts and other vessels with flat bottoms. Also used on V brackets for large catamaran hulls.


 Available in black – Other colors by custom order.

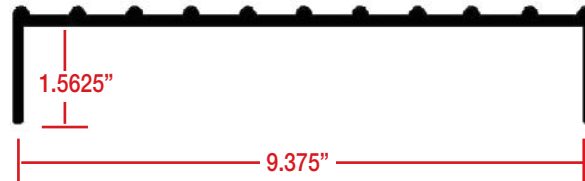


GB950 E

The GB950 Economy is 9.375" wide and 1.5625" deep. This bunk cover is sold in pairs. 10, 12, and 14 foot lengths are available. All other lengths by special order.

The GB950E is designed to be a direct fit for 2x10 standard lumber. Typical application is for pontoon lifts and other vessels with flat bottoms. Also used on V brackets for large catamaran hulls.

 Available in black – Other colors by custom order.



Dock and Watercraft Bumpers

Gatorbak Synthetic Dock and Watercraft Bumpers are a high quality bumper made from the same proprietary material compound that **Gatorbak** bunk covers are made from.

Used around the dock and in utility applications to give your dock and other storage areas a long lasting and durable edge protection.

All dock and watercraft bumpers are available in grey, black, white and NEW premium clear.

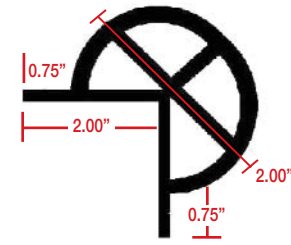


Our bumpers help you protect your investment in every direction.

Didn't see the cover or bumper you are looking for?

Contact us at **Gatorbak** and let us get started on a **new solution** for you!

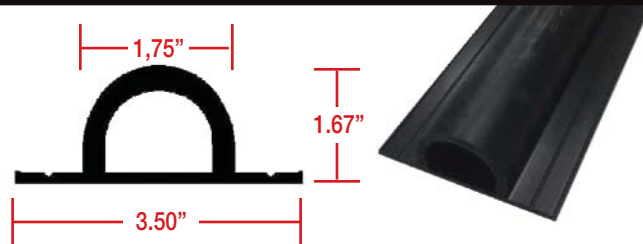
info@gatorbak.com



GB Corner Bumper

Gatorbak Corner Bumper is a 2.0" outside corner bumper. The mounting area is a 90 degree pocket 2.00" deep with a 3/4" mounting tab. The overall bumper profile is a 2.00" round.

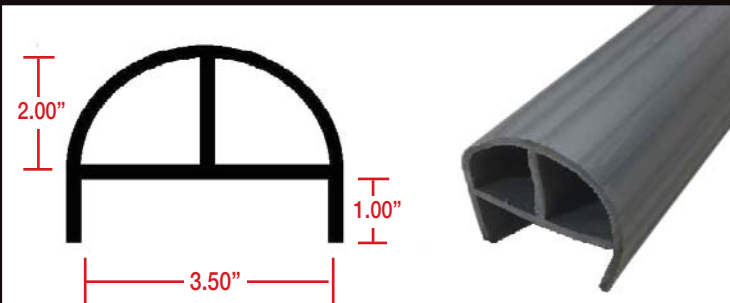
The corner bumper provides cushion to outside corners along the docking area where needed. Available in 5, 6, 8, 10, 12 and 14 foot lengths.



GB D Bumper

Gatorbak D Bumper is a 1.50" thick by 1.75" wide D type profile, medium bumper with a flat style 3.50" wide base and .875" mounting tabs on both sides for mounting to standard 2x4 or larger surfaces.

Provides a medium sized bumper profile for surface mounting anywhere in the docking area to provide protection. Available in 5, 6, 8, 10, 12, and 14 foot lengths.



GB Super Bumper

Gatorbak super Bumper is a 2.0" half round bumper, cap style mounting that incorporates 1.00" mounting tabs on both sides. Mounting cap is 3.50" wide by 1.00" deep.

Provides oversized protection to all docking areas. Available in 5, 6, and 8 foot lengths. Other dimensions by special order.



CHECK OUT MY BUNKS!



Learn more about boat maintenance and winterization we have.