

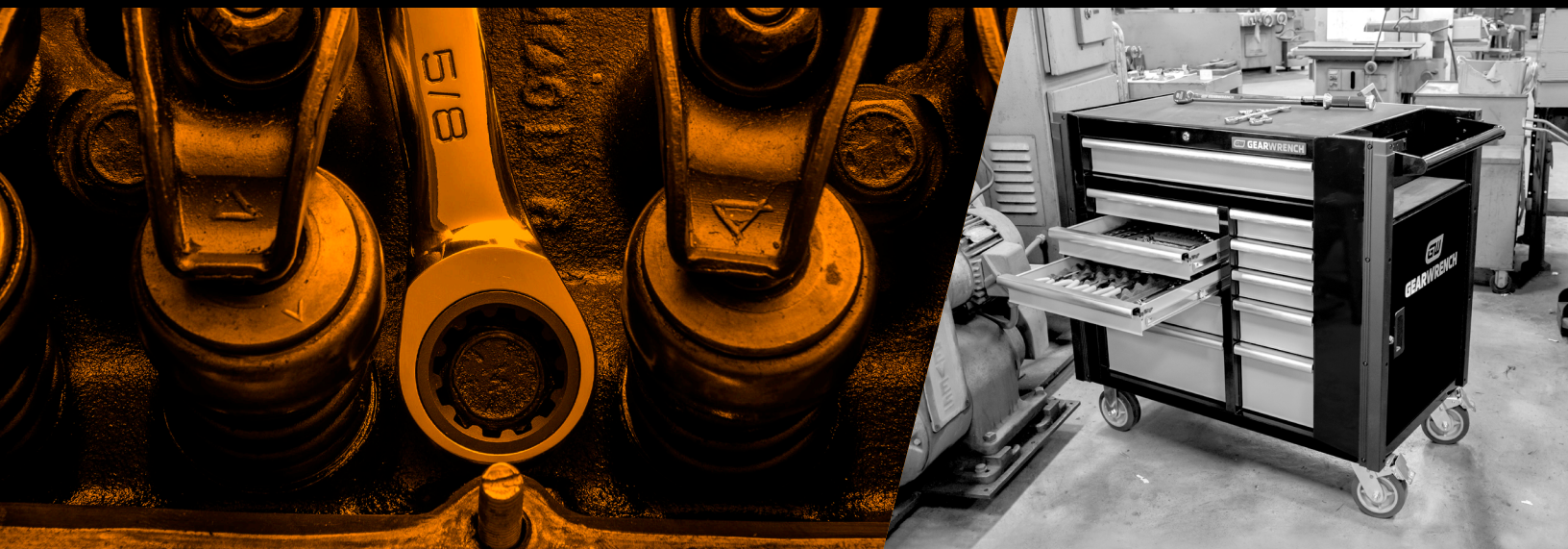
# GEARWRENCH<sup>®</sup>

**FORGE AHEAD**



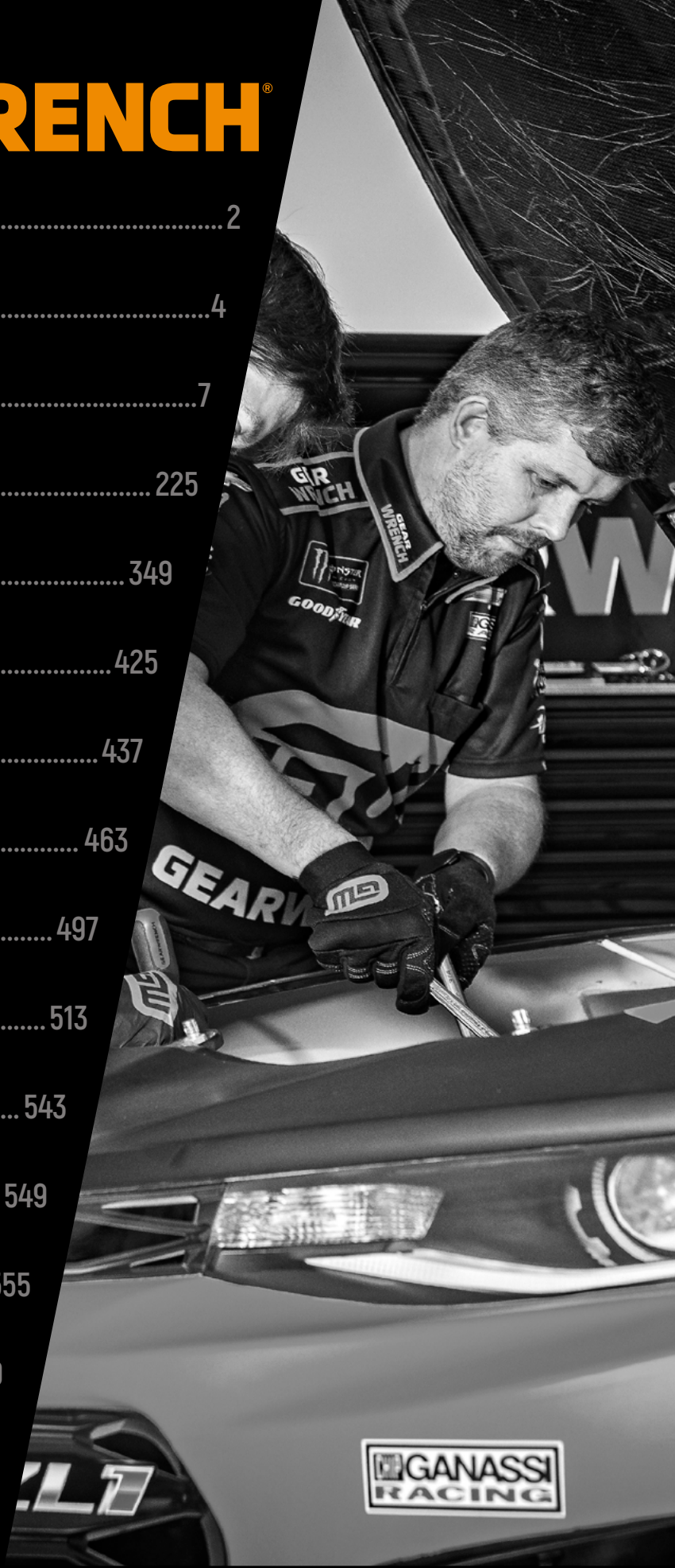
## PRODUCT CATALOG

Ratchets, Sockets, and Drive Tools | Wrenches | Impact Sockets | Torque Wrenches  
Screwdrivers & Nutdrivers | Pliers | Cutting & Filing | Striking & Struck | Pry Bars  
Lighting | Automotive Specialty | Tool Storage | Master Sets



# GEARWRENCH®

<u>GEARWRENCH RACING</u> .....	2
<u>THE GEARWRENCH EVOLUTION</u> .....	4
<u>RATCHETS, SOCKETS, AND DRIVE TOOLS</u> .....	7
<u>WRENCHES</u> .....	225
<u>IMPACT</u> .....	349
<u>TORQUE WRENCHES</u> .....	425
<u>SCREWDRIVERS &amp; NUTDRIVERS</u> .....	437
<u>PLIERS</u> .....	463
<u>CUTTING AND FILING</u> .....	497
<u>STRIKING AND STRUCK</u> .....	513
<u>PRY BARS</u> .....	543
<u>LIGHTING</u> .....	549
<u>AUTOMOTIVE SPECIALTY</u> .....	555
<u>TOOL STORAGE</u> .....	649
<u>MASTER SETS</u> .....	677



**FORGE AHEAD**



# GEARWRENCH®

## GEARWRENCH and Motorsports ... Pursuing Performance Together.

Few competitive pursuits depend on the skilled use of hand tools as much as motorsports. So it stands to reason that GEARWRENCH customers have a special interest and respect for the teams that depend on their mechanics as much as their drivers. GEARWRENCH appreciates this relationship and constantly seeks to align itself with motorsports teams that share its values of integrity, continuous improvement, and innovation.

Unlike the products of most sponsors, GEARWRENCH products can easily be integrated into their competitive activities: Teams can actually use our tools to make themselves more competitive! That's very hard to do if your product is soap or insurance and puts GEARWRENCH in a unique position because our products are essential to motorsports success.

Building a sponsor relationship with motorsports teams not only benefits the teams, but is also an advantage for the much larger community of GEARWRENCH tool users. After using our tools in the most intense competitive situations, team mechanics have the opportunity to provide us with feedback on how well our tools perform under pressure. We then use this valuable input to make GEARWRENCH tools even better for everyone from professional automotive techs to industrial mechanics.





# GEARWRENCH®

## The Evolution of Innovation

GEARWRENCH started in 1996, when we developed a ratcheting wrench that stood up to professional environments – the "Original" combination ratcheting wrench.

Noticing the need for more ratcheting options, we quickly expanded to stubby and double box as these were traditional non-ratcheting wrench configurations.

The Reversible and Flex-style wrenches were born from user feedback, with an eye for how to work in tight spaces.

As more professionals began to use ratcheting wrenches, we spent time solving more access problems and introducing other wrench styles.

Having success in wrenches, we began to integrate ratcheting mechanisms into screwdrivers and other traditionally non-ratcheting tools.

GEARWRENCH has continued to innovate products by adding productivity features to products like pry bars, hemostats, tool boxes, and ratchets.

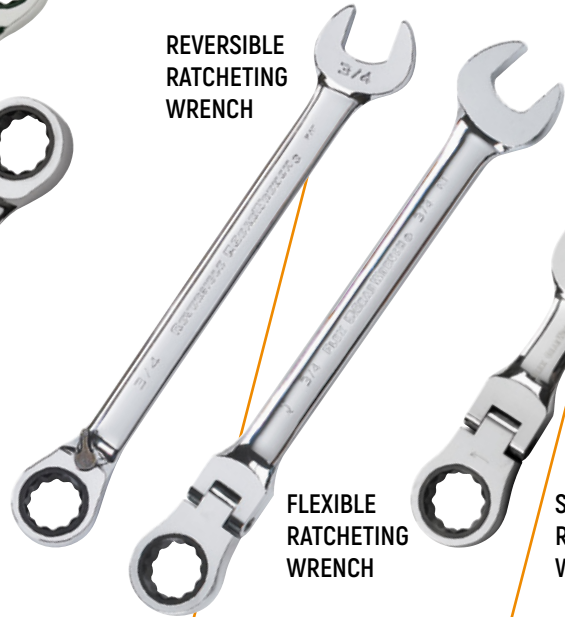
### THE "ORIGINAL"

COMBINATION RATCHETING WRENCH



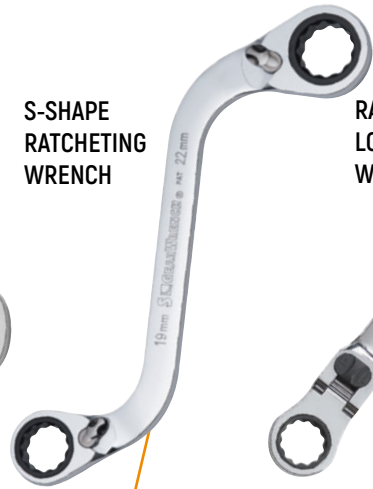
1995

REVERSIBLE RATCHETING WRENCH



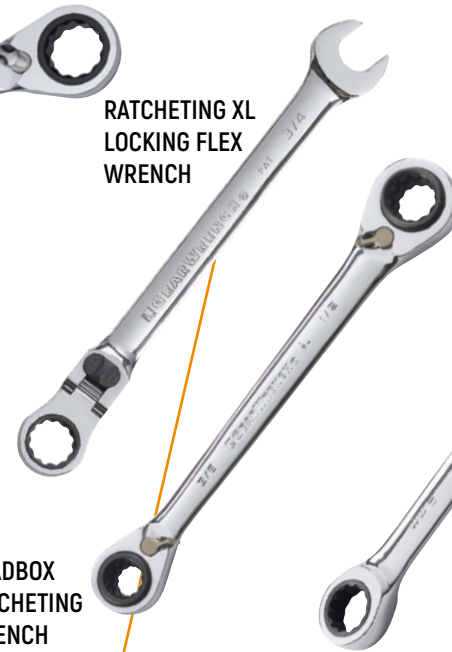
2000

S-SHAPE RATCHETING WRENCH



2005

RATCHETING XL LOCKING FLEX WRENCH

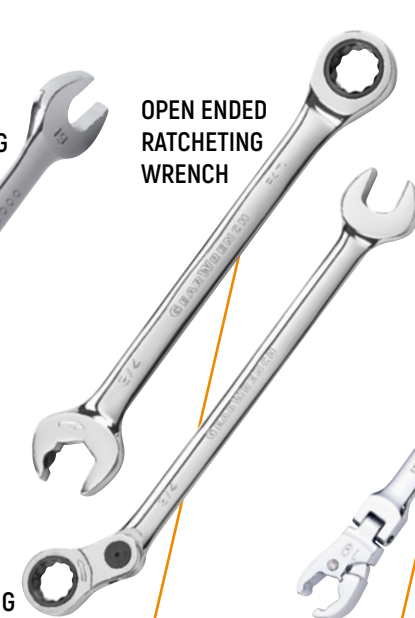


X-BEAM RATCHETING WRENCH



2010

OPEN ENDED RATCHETING WRENCH



2015

RATCHETING FLEX FLARE NUT WRENCH



LED LIGHTING



EXTRACTION SOCKETS

2020

DOUBLE BOX RATCHETING WRENCH



GEARRATCHET VORTEX SOCKET SYSTEM



GEARDRIVER INTERCHANGABLE SHAFT SYSTEM



RATCHETING TAP & DIE



SCREWDRIVERS

FULL POLISH RATCHETS



STANDARD, DEEP, & BIT SOCKETS

INDEXING PRY BAR



### THE ALL NEW 120XP

120XP FLEX HEAD RATCHETS







# GEARWRENCH®



# GEARWRENCH®

RATCHETS, SOCKETS, AND DRIVE TOOLS

WRENCHES

IMPACT

TORQUE WRENCHES

SCREWDRIVERS & NUTDRIVERS

PLIERS

CUTTING AND FILING

STRIKING AND STRUCK

PRY BARS

LIGHTING

AUTOMOTIVE SPECIALTY

TOOL STORAGE

MASTER SETS

Since its revolutionary inception in the mid 1990's, GEARWRENCH has proven itself to be a force to be reckoned with in the tool industry. The original GEARWRENCH® ratcheting wrench is now a tool box necessity for almost every professional tool user. Scores of innovative new products, designed to provide a solution for nearly any task, are being introduced every year. We make it our business to know the challenges you face on the job so we can create the tools that help you get the job done faster.

GEARWRENCH has always focused on continuous improvement in three areas: speed, strength, and access. Using the latest Voice-of-Customer techniques and our proprietary Inventor Connect program, we listen to pro tool users to learn how we can design tools that better answer their needs. As a result, the majority of new GEARWRENCH products begin development because of direct customer feedback. So keep talking to us, and we'll keep listening and designing better products to help make your job go faster and easier. Together we can **Forge Ahead.**



**FORGE AHEAD**



### 613 Pc. Master Mechanics Hand Tool Set

- Comprehensive 613 piece set mix of mechanics hand tools including drive tools, sockets, bit sockets, wrenches, ratcheting wrenches, pliers and screwdrivers
- 84 tooth full polish chrome ratchets with slim head design provides additional access to hard to reach fasteners
- 72 tooth ratcheting wrenches with a 5° swing arc with off-corner loading design on box end provides better grip and reduces fastener rounding
- Flex head ratcheting wrenches with flex head that tilts up to 180 degrees at any interval
- Reversible ratcheting wrenches with compact reversing lever allows for quick changes without removing ratcheting box end from fastener
- Tri-lobe ergonomic dual material handle Phillips® and slotted screwdrivers for optimal balance of strength and comfort
- Precision engineered hex and ball-end hex bit sockets with bits made of S2 steel for added strength and better fastener fit
- Professional assortment of ergonomic dipped grip handle pliers with tongue and groove, slip joint, lineman's, diagonal, long nose, and end nippers included



Cat. No.	Included Storage	Product Weight
89060	None	167.892 lb



Cat. No.	Description	Cat. No.	Description
81011F	1/4" Drive 84 Tooth Teardrop Ratchet 5"	81127	1/4" Drive 1/4" F x 3/8" M Adapter
81012F	1/4" Drive 84 Tooth Flex Head Teardrop Ratchet 7"	81277	3/8" Drive 3/8" F x 1/4" M Adapter
81027	1/4" Drive 72 Tooth Gimbal Ratchet	81278	3/8" Drive 3/8" F x 1/2" M Adapter
81211F	3/8" Drive 84 Tooth Teardrop Ratchet 8-1/4"	81354	1/2" Drive 1/2" F x 3/8" M Adapter
81215F	3/8" Drive 84 Tooth Flex Head Teardrop Ratchet 11-1/2"	9008	1/4" 12 Point Ratcheting Combination Wrench
81212F	3/8" Drive 84 Tooth Stubby Flex Head Teardrop Ratchet 5"	9010D	5/16" 12 Point Ratcheting Combination Wrench
81270	3/8" Drive 72 Tooth Gimbal Ratchet	9012D	3/8" 12 Point Ratcheting Combination Wrench
81304F	1/2" Drive 84 Tooth Teardrop Ratchet 11"	9014	7/16" 12 Point Ratcheting Combination Wrench
81306F	1/2" Drive 84 Tooth Flex Head Teardrop Ratchet 17"	9016D	1/2" 12 Point Ratcheting Combination Wrench
80100	1/4" Drive Universal Joint	9018D	9/16" 12 Point Ratcheting Combination Wrench
80549	3/8" Drive Universal Joint	9020	5/8" 12 Point Ratcheting Combination Wrench
80600D	1/2" Drive Universal Joint	9022	11/16" 12 Point Ratcheting Combination Wrench
81101	1/4" Drive Extension 2"	9024	3/4" 12 Point Ratcheting Combination Wrench
81113D	1/4" Drive Extension 3"	9026D	13/16" 12 Point Ratcheting Combination Wrench
81114D	1/4" Drive Extension 4"	9108D	8mm 12 Point Ratcheting Combination Wrench
81116	1/4" Drive Extension 6"	9109	9mm 12 Point Ratcheting Combination Wrench
81118	1/4" Drive Extension 14"	9110D	10mm 12 Point Ratcheting Combination Wrench
81240	3/8" Drive Extension 1-1/2"	9111	11mm 12 Point Ratcheting Combination Wrench
81241	3/8" Drive Extension 3"	9112	12mm 12 Point Ratcheting Combination Wrench
81242	3/8" Drive Extension 6"	9113D	13mm 12 Point Ratcheting Combination Wrench
81244	3/8" Drive Extension 12"	9114D	14mm 12 Point Ratcheting Combination Wrench
81341	1/2" Drive Extension 5"	9115D	15mm 12 Point Ratcheting Combination Wrench
81342	1/2" Drive Extension 10"	9116D	16mm 12 Point Ratcheting Combination Wrench
81343	1/2" Drive Extension 15"	9117D	17mm 12 Point Ratcheting Combination Wrench

Cat. No.	Description	Cat. No.	Description
-	5/16" 12 Point Stubby Ratcheting Combination Wrench	81657	9/16" 12 Point Long Pattern Combination Wrench
9500DD	3/8" 12 Point Stubby Ratcheting Combination Wrench	81658	5/8" 12 Point Long Pattern Combination Wrench
9501DD	7/16" 12 Point Stubby Ratcheting Combination Wrench	81659	11/16" 12 Point Long Pattern Combination Wrench
9502D	1/2" 12 Point Stubby Ratcheting Combination Wrench	81660	3/4" 12 Point Long Pattern Combination Wrench
9503D	9/16" 12 Point Stubby Ratcheting Combination Wrench	81661	13/16" 12 Point Long Pattern Combination Wrench
9504D	5/8" 12 Point Stubby Ratcheting Combination Wrench	81662	7/8" 12 Point Long Pattern Combination Wrench
9510DD	10mm 12 Point Stubby Ratcheting Combination Wrench	81663	15/16" 12 Point Long Pattern Combination Wrench
9511D	11mm 12 Point Stubby Ratcheting Combination Wrench	81664	1" 12 Point Long Pattern Combination Wrench
9512D	12mm 12 Point Stubby Ratcheting Combination Wrench	81733	1-1/16" 12 Point Long Pattern Combination Wrench
9513D	13mm 12 Point Stubby Ratcheting Combination Wrench	81734	1-1/8" 12 Point Long Pattern Combination Wrench
9514D	14mm 12 Point Stubby Ratcheting Combination Wrench	81735	1-1/4" 12 Point Long Pattern Combination Wrench
9515D	15mm 12 Point Stubby Ratcheting Combination Wrench	81749	1-5/16" 12 Point Long Pattern Combination Wrench
9526ND	3/8" 12 Point Reversible Ratcheting Combination Wrench	81750	1-1/2" 12 Point Long Pattern Combination Wrench
9527N	7/16" 12 Point Reversible Ratcheting Combination Wrench	81736	6mm 12 Point Long Pattern Combination Wrench
9528N	1/2" 12 Point Reversible Ratcheting Combination Wrench	81737	7mm 12 Point Long Pattern Combination Wrench
9529N	9/16" 12 Point Reversible Ratcheting Combination Wrench	81665	8mm 12 Point Long Pattern Combination Wrench
9530ND	5/8" 12 Point Reversible Ratcheting Combination Wrench	81666	9mm 12 Point Long Pattern Combination Wrench
9531ND	11/16" 12 Point Reversible Ratcheting Combination Wrench	81667	10mm 12 Point Long Pattern Combination Wrench
9532N	3/4" 12 Point Reversible Ratcheting Combination Wrench	81668	11mm 12 Point Long Pattern Combination Wrench
9610N	10mm 12 Point Reversible Ratcheting Combination Wrench	81669	12mm 12 Point Long Pattern Combination Wrench
9612N	12mm 12 Point Reversible Ratcheting Combination Wrench	81670	13mm 12 Point Long Pattern Combination Wrench
9613N	13mm 12 Point Reversible Ratcheting Combination Wrench	81671	14mm 12 Point Long Pattern Combination Wrench
9614N	14mm 12 Point Reversible Ratcheting Combination Wrench	81672	15mm 12 Point Long Pattern Combination Wrench
9615N	15mm 12 Point Reversible Ratcheting Combination Wrench	81673	16mm 12 Point Long Pattern Combination Wrench
9617N	17mm 12 Point Reversible Ratcheting Combination Wrench	81674	17mm 12 Point Long Pattern Combination Wrench
9619N	19mm 12 Point Reversible Ratcheting Combination Wrench	81675	18mm 12 Point Long Pattern Combination Wrench
9706	3/8" 12 Point Flex Ratcheting Combination Wrench	81676	19mm 12 Point Long Pattern Combination Wrench
9707	7/16" 12 Point Flex Ratcheting Combination Wrench	81677	20mm 12 Point Long Pattern Combination Wrench
9708	1/2" 12 Point Flex Ratcheting Combination Wrench	81678	21mm 12 Point Long Pattern Combination Wrench
9709	9/16" 12 Point Flex Ratcheting Combination Wrench	81679	22mm 12 Point Long Pattern Combination Wrench
9710	5/8" 12 Point Flex Ratcheting Combination Wrench	81741	23mm 12 Point Long Pattern Combination Wrench
9711	11/16" 12 Point Flex Ratcheting Combination Wrench	81742	24mm 12 Point Long Pattern Combination Wrench
9712	3/4" 12 Point Flex Ratcheting Combination Wrench	81751	25mm 12 Point Long Pattern Combination Wrench
9910D	10mm 12 Point Flex Ratcheting Combination Wrench	81752	26mm 12 Point Long Pattern Combination Wrench
9912D	12mm 12 Point Flex Ratcheting Combination Wrench	81743	27mm 12 Point Long Pattern Combination Wrench
9913D	13mm 12 Point Flex Ratcheting Combination Wrench	81753	28mm 12 Point Long Pattern Combination Wrench
9914D	14mm 12 Point Flex Ratcheting Combination Wrench	81744	30mm 12 Point Long Pattern Combination Wrench
9915D	15mm 12 Point Flex Ratcheting Combination Wrench	81745D	32mm 12 Point Long Pattern Combination Wrench
9917	17mm 12 Point Flex Ratcheting Combination Wrench	80105	1/4" Drive 6 Point Standard SAE Socket 3/16"
9919D	19mm 12 Point Flex Ratcheting Combination Wrench	80106	1/4" Drive 6 Point Standard SAE Socket 7/32"
81650	1/4" 12 Point Long Pattern Combination Wrench	80107	1/4" Drive 6 Point Standard SAE Socket 1/4"
81652D	5/16" 12 Point Long Pattern Combination Wrench	80108	1/4" Drive 6 Point Standard SAE Socket 9/32"
81653	11/32" 12 Point Long Pattern Combination Wrench	80109	1/4" Drive 6 Point Standard SAE Socket 5/16"
81654	3/8" 12 Point Long Pattern Combination Wrench	80110	1/4" Drive 6 Point Standard SAE Socket 11/32"
81655	7/16" 12 Point Long Pattern Combination Wrench	80111	1/4" Drive 6 Point Standard SAE Socket 3/8"
81656	1/2" 12 Point Long Pattern Combination Wrench	80112	1/4" Drive 6 Point Standard SAE Socket 7/16"

■ Continued on next page



**613 Pc. Master Mechanics Hand Tool Set** ■ *Continued from previous page*

Cat. No.	Description	Cat. No.	Description
80113D	1/4" Drive 6 Point Standard SAE Socket 1/2"	80123	1/4" Drive 6 Point Deep SAE Socket 1/2"
80114D	1/4" Drive 6 Point Standard SAE Socket 9/16"	80124	1/4" Drive 6 Point Deep SAE Socket 9/16"
80125	1/4" Drive 6 Point Standard Metric Socket 4mm	80138	1/4" Drive 6 Point Deep Metric Socket 4mm
80126	1/4" Drive 6 Point Standard Metric Socket 5mm	80139	1/4" Drive 6 Point Deep Metric Socket 5mm
80127	1/4" Drive 6 Point Standard Metric Socket 5.5mm	80140	1/4" Drive 6 Point Deep Metric Socket 5.5mm
80128	1/4" Drive 6 Point Standard Metric Socket 6mm	80141	1/4" Drive 6 Point Deep Metric Socket 6mm
80129	1/4" Drive 6 Point Standard Metric Socket 7mm	80142	1/4" Drive 6 Point Deep Metric Socket 7mm
80130	1/4" Drive 6 Point Standard Metric Socket 8mm	80143	1/4" Drive 6 Point Deep Metric Socket 8mm
80131D	1/4" Drive 6 Point Standard Metric Socket 9mm	80144	1/4" Drive 6 Point Deep Metric Socket 9mm
80132	1/4" Drive 6 Point Standard Metric Socket 10mm	80145	1/4" Drive 6 Point Deep Metric Socket 10mm
80133	1/4" Drive 6 Point Standard Metric Socket 11mm	80146D	1/4" Drive 6 Point Deep Metric Socket 11mm
80134	1/4" Drive 6 Point Standard Metric Socket 12mm	80147	1/4" Drive 6 Point Deep Metric Socket 12mm
80135D	1/4" Drive 6 Point Standard Metric Socket 13mm	80148	1/4" Drive 6 Point Deep Metric Socket 13mm
80136	1/4" Drive 6 Point Standard Metric Socket 14mm	80149	1/4" Drive 6 Point Deep Metric Socket 14mm
80137	1/4" Drive 6 Point Standard Metric Socket 15mm	80150	1/4" Drive 6 Point Deep Metric Socket 15mm
80210	1/4" Drive 12 Point Standard SAE Socket 3/16"	80220	1/4" Drive 12 Point Deep SAE Socket 3/16"
80211	1/4" Drive 12 Point Standard SAE Socket 7/32"	80221	1/4" Drive 12 Point Deep SAE Socket 7/32"
80212	1/4" Drive 12 Point Standard SAE Socket 1/4"	80222	1/4" Drive 12 Point Deep SAE Socket 1/4"
80213	1/4" Drive 12 Point Standard SAE Socket 9/32"	80223D	1/4" Drive 12 Point Deep SAE Socket 9/32"
80214	1/4" Drive 12 Point Standard SAE Socket 5/16"	80224	1/4" Drive 12 Point Deep SAE Socket 5/16"
80215D	1/4" Drive 12 Point Standard SAE Socket 11/32"	80225	1/4" Drive 12 Point Deep SAE Socket 11/32"
80216	1/4" Drive 12 Point Standard SAE Socket 3/8"	80226	1/4" Drive 12 Point Deep SAE Socket 3/8"
80217	1/4" Drive 12 Point Standard SAE Socket 7/16"	80227	1/4" Drive 12 Point Deep SAE Socket 7/16"
80218	1/4" Drive 12 Point Standard SAE Socket 1/2"	80228	1/4" Drive 12 Point Deep SAE Socket 1/2"
80219	1/4" Drive 12 Point Standard SAE Socket 9/16"	80229	1/4" Drive 12 Point Deep SAE Socket 9/16"
80197	1/4" Drive 12 Point Standard Metric Socket 4mm	80230	1/4" Drive 12 Point Deep Metric Socket 4mm
80198	1/4" Drive 12 Point Standard Metric Socket 5mm	80231	1/4" Drive 12 Point Deep Metric Socket 5mm
80199	1/4" Drive 12 Point Standard Metric Socket 5.5mm	80232	1/4" Drive 12 Point Deep Metric Socket 5.5mm
80200	1/4" Drive 12 Point Standard Metric Socket 6mm	80233	1/4" Drive 12 Point Deep Metric Socket 6mm
80201	1/4" Drive 12 Point Standard Metric Socket 7mm	80234	1/4" Drive 12 Point Deep Metric Socket 7mm
80202	1/4" Drive 12 Point Standard Metric Socket 8mm	80235	1/4" Drive 12 Point Deep Metric Socket 8mm
80203	1/4" Drive 12 Point Standard Metric Socket 9mm	80236	1/4" Drive 12 Point Deep Metric Socket 9mm
80204	1/4" Drive 12 Point Standard Metric Socket 10mm	80237	1/4" Drive 12 Point Deep Metric Socket 10mm
80205	1/4" Drive 12 Point Standard Metric Socket 11mm	80238	1/4" Drive 12 Point Deep Metric Socket 11mm
80206	1/4" Drive 12 Point Standard Metric Socket 12mm	80239D	1/4" Drive 12 Point Deep Metric Socket 12mm
80207	1/4" Drive 12 Point Standard Metric Socket 13mm	80240	1/4" Drive 12 Point Deep Metric Socket 13mm
80208	1/4" Drive 12 Point Standard Metric Socket 14mm	80241	1/4" Drive 12 Point Deep Metric Socket 14mm
80209	1/4" Drive 12 Point Standard Metric Socket 15mm	80242	1/4" Drive 12 Point Deep Metric Socket 15mm
80115	1/4" Drive 6 Point Deep SAE Socket 3/16"	80115S	1/4" Drive 6 Point Mid Length SAE Socket 3/16"
80116D	1/4" Drive 6 Point Deep SAE Socket 7/32"	80116S	1/4" Drive 6 Point Mid Length SAE Socket 7/32"
80117	1/4" Drive 6 Point Deep SAE Socket 1/4"	80117S	1/4" Drive 6 Point Mid Length SAE Socket 1/4"
80118	1/4" Drive 6 Point Deep SAE Socket 9/32"	80118S	1/4" Drive 6 Point Mid Length SAE Socket 9/32"
80119	1/4" Drive 6 Point Deep SAE Socket 5/16"	80119S	1/4" Drive 6 Point Mid Length SAE Socket 5/16"
80120D	1/4" Drive 6 Point Deep SAE Socket 11/32"	80120S	1/4" Drive 6 Point Mid Length SAE Socket 11/32"
80121	1/4" Drive 6 Point Deep SAE Socket 3/8"	80121S	1/4" Drive 6 Point Mid Length SAE Socket 3/8"
80122D	1/4" Drive 6 Point Deep SAE Socket 7/16"	80122S	1/4" Drive 6 Point Mid Length SAE Socket 7/16"

Cat. No.	Description	Cat. No.	Description
80123S	1/4" Drive 6 Point Mid Length SAE Socket 1/2"	80362	3/8" Drive 6 Point Standard SAE Socket 1"
80124S	1/4" Drive 6 Point Mid Length SAE Socket 9/16"	80374	3/8" Drive 6 Point Standard Metric Socket 6mm
80138S	1/4" Drive 6 Point Mid Length Metric Socket 4mm	80375	3/8" Drive 6 Point Standard Metric Socket 7mm
80139S	1/4" Drive 6 Point Mid Length Metric Socket 5mm	80376	3/8" Drive 6 Point Standard Metric Socket 8mm
80140S	1/4" Drive 6 Point Mid Length Metric Socket 5.5mm	80377	3/8" Drive 6 Point Standard Metric Socket 9mm
80141S	1/4" Drive 6 Point Mid Length Metric Socket 6mm	80378	3/8" Drive 6 Point Standard Metric Socket 10mm
80142S	1/4" Drive 6 Point Mid Length Metric Socket 7mm	80379	3/8" Drive 6 Point Standard Metric Socket 11mm
80143S	1/4" Drive 6 Point Mid Length Metric Socket 8mm	80380	3/8" Drive 6 Point Standard Metric Socket 12mm
80144S	1/4" Drive 6 Point Mid Length Metric Socket 9mm	80381	3/8" Drive 6 Point Standard Metric Socket 13mm
80145S	1/4" Drive 6 Point Mid Length Metric Socket 10mm	80382	3/8" Drive 6 Point Standard Metric Socket 14mm
80146S	1/4" Drive 6 Point Mid Length Metric Socket 11mm	80383	3/8" Drive 6 Point Standard Metric Socket 15mm
80147S	1/4" Drive 6 Point Mid Length Metric Socket 12mm	80384	3/8" Drive 6 Point Standard Metric Socket 16mm
80148S	1/4" Drive 6 Point Mid Length Metric Socket 13mm	80385	3/8" Drive 6 Point Standard Metric Socket 17mm
80149S	1/4" Drive 6 Point Mid Length Metric Socket 14mm	80386	3/8" Drive 6 Point Standard Metric Socket 18mm
80150S	1/4" Drive 6 Point Mid Length Metric Socket 15mm	80387	3/8" Drive 6 Point Standard Metric Socket 19mm
80262	1/4" Drive 6 Point Standard SAE Flex Socket 3/16"	80496	3/8" Drive 12 Point Standard SAE Socket 1/4"
80263D	1/4" Drive 6 Point Standard SAE Flex Socket 1/4"	80497D	3/8" Drive 12 Point Standard SAE Socket 5/16"
80264	1/4" Drive 6 Point Standard SAE Flex Socket 5/16"	80498	3/8" Drive 12 Point Standard SAE Socket 3/8"
80265	1/4" Drive 6 Point Standard SAE Flex Socket 3/8"	80499	3/8" Drive 12 Point Standard SAE Socket 7/16"
80266	1/4" Drive 6 Point Standard SAE Flex Socket 7/16"	80500D	3/8" Drive 12 Point Standard SAE Socket 1/2"
80267	1/4" Drive 6 Point Standard SAE Flex Socket 1/2"	80501	3/8" Drive 12 Point Standard SAE Socket 9/16"
80268	1/4" Drive 6 Point Standard SAE Flex Socket 9/16"	80502	3/8" Drive 12 Point Standard SAE Socket 5/8"
80250	1/4" Drive 6 Point Standard Metric Flex Socket 5mm	80503	3/8" Drive 12 Point Standard SAE Socket 11/16"
80251D	1/4" Drive 6 Point Standard Metric Flex Socket 5.5mm	80504	3/8" Drive 12 Point Standard SAE Socket 3/4"
80252	1/4" Drive 6 Point Standard Metric Flex Socket 6mm	80505	3/8" Drive 12 Point Standard SAE Socket 13/16"
80253	1/4" Drive 6 Point Standard Metric Flex Socket 7mm	80506D	3/8" Drive 12 Point Standard SAE Socket 7/8"
80254	1/4" Drive 6 Point Standard Metric Flex Socket 8mm	80507	3/8" Drive 12 Point Standard SAE Socket 15/16"
80255	1/4" Drive 6 Point Standard Metric Flex Socket 9mm	80508	3/8" Drive 12 Point Standard SAE Socket 1"
80256	1/4" Drive 6 Point Standard Metric Flex Socket 10mm	80482	3/8" Drive 12 Point Standard Metric Socket 6mm
80257	1/4" Drive 6 Point Standard Metric Flex Socket 11mm	80483	3/8" Drive 12 Point Standard Metric Socket 7mm
80258	1/4" Drive 6 Point Standard Metric Flex Socket 12mm	80484	3/8" Drive 12 Point Standard Metric Socket 8mm
80259	1/4" Drive 6 Point Standard Metric Flex Socket 13mm	80485	3/8" Drive 12 Point Standard Metric Socket 9mm
80260	1/4" Drive 6 Point Standard Metric Flex Socket 14mm	80486	3/8" Drive 12 Point Standard Metric Socket 10mm
80261	1/4" Drive 6 Point Standard Metric Flex Socket 15mm	80487	3/8" Drive 12 Point Standard Metric Socket 11mm
80350	3/8" Drive 6 Point Standard SAE Socket 1/4"	80488	3/8" Drive 12 Point Standard Metric Socket 12mm
80351	3/8" Drive 6 Point Standard SAE Socket 5/16"	80489	3/8" Drive 12 Point Standard Metric Socket 13mm
80352	3/8" Drive 6 Point Standard SAE Socket 3/8"	80490	3/8" Drive 12 Point Standard Metric Socket 14mm
80353	3/8" Drive 6 Point Standard SAE Socket 7/16"	80491	3/8" Drive 12 Point Standard Metric Socket 15mm
80354	3/8" Drive 6 Point Standard SAE Socket 1/2"	80492	3/8" Drive 12 Point Standard Metric Socket 16mm
80355	3/8" Drive 6 Point Standard SAE Socket 9/16"	80493	3/8" Drive 12 Point Standard Metric Socket 17mm
80356	3/8" Drive 6 Point Standard SAE Socket 5/8"	80494	3/8" Drive 12 Point Standard Metric Socket 18mm
80357	3/8" Drive 6 Point Standard SAE Socket 11/16"	80495	3/8" Drive 12 Point Standard Metric Socket 19mm
80358	3/8" Drive 6 Point Standard SAE Socket 3/4"	80363	3/8" Drive 6 Point Deep SAE Socket 1/4"
80359	3/8" Drive 6 Point Standard SAE Socket 13/16"	80364	3/8" Drive 6 Point Deep SAE Socket 5/16"
80360	3/8" Drive 6 Point Standard SAE Socket 7/8"	80365	3/8" Drive 6 Point Deep SAE Socket 3/8"
80361	3/8" Drive 6 Point Standard SAE Socket 15/16"	80366	3/8" Drive 6 Point Deep SAE Socket 7/16"

■ *Continued on next page*

**613 Pc. Master Mechanics Hand Tool Set** ■ *Continued from previous page*

Cat. No.	Description	Cat. No.	Description
80367	3/8" Drive 6 Point Deep SAE Socket 1/2"	80363S	3/8" Drive 6 Point Mid Length SAE Socket 1/4"
80368	3/8" Drive 6 Point Deep SAE Socket 9/16"	80364S	3/8" Drive 6 Point Mid Length SAE Socket 5/16"
80369	3/8" Drive 6 Point Deep SAE Socket 5/8"	80365S	3/8" Drive 6 Point Mid Length SAE Socket 3/8"
80370D	3/8" Drive 6 Point Deep SAE Socket 11/16"	80366S	3/8" Drive 6 Point Mid Length SAE Socket 7/16"
80371	3/8" Drive 6 Point Deep SAE Socket 3/4"	80367S	3/8" Drive 6 Point Mid Length SAE Socket 1/2"
80372	3/8" Drive 6 Point Deep SAE Socket 13/16"	80368S	3/8" Drive 6 Point Mid Length SAE Socket 9/16"
80373	3/8" Drive 6 Point Deep SAE Socket 7/8"	80369S	3/8" Drive 6 Point Mid Length SAE Socket 5/8"
80388	3/8" Drive 6 Point Deep Metric Socket 6mm	80370S	3/8" Drive 6 Point Mid Length SAE Socket 11/16"
80389	3/8" Drive 6 Point Deep Metric Socket 7mm	80371S	3/8" Drive 6 Point Mid Length SAE Socket 3/4"
80390	3/8" Drive 6 Point Deep Metric Socket 8mm	80372S	3/8" Drive 6 Point Mid Length SAE Socket 13/16"
80391	3/8" Drive 6 Point Deep Metric Socket 9mm	80373S	3/8" Drive 6 Point Mid Length SAE Socket 7/8"
80392	3/8" Drive 6 Point Deep Metric Socket 10mm	80388S	3/8" Drive 6 Point Mid Length Metric Socket 6mm
80393D	3/8" Drive 6 Point Deep Metric Socket 11mm	80389S	3/8" Drive 6 Point Mid Length Metric Socket 7mm
80394D	3/8" Drive 6 Point Deep Metric Socket 12mm	80390S	3/8" Drive 6 Point Mid Length Metric Socket 8mm
80395	3/8" Drive 6 Point Deep Metric Socket 13mm	80391S	3/8" Drive 6 Point Mid Length Metric Socket 9mm
80396	3/8" Drive 6 Point Deep Metric Socket 14mm	80392S	3/8" Drive 6 Point Mid Length Metric Socket 10mm
80397	3/8" Drive 6 Point Deep Metric Socket 15mm	80393S	3/8" Drive 6 Point Mid Length Metric Socket 11mm
80398	3/8" Drive 6 Point Deep Metric Socket 16mm	80394S	3/8" Drive 6 Point Mid Length Metric Socket 12mm
80399	3/8" Drive 6 Point Deep Metric Socket 17mm	80395S	3/8" Drive 6 Point Mid Length Metric Socket 13mm
80400	3/8" Drive 6 Point Deep Metric Socket 18mm	80396S	3/8" Drive 6 Point Mid Length Metric Socket 14mm
80401	3/8" Drive 6 Point Deep Metric Socket 19mm	80397S	3/8" Drive 6 Point Mid Length Metric Socket 15mm
80509	3/8 Drive 12 Point Deep SAE Socket 1/4"	80398S	3/8" Drive 6 Point Mid Length Metric Socket 16mm
80510D	3/8 Drive 12 Point Deep SAE Socket 5/16"	80399S	3/8" Drive 6 Point Mid Length Metric Socket 17mm
80511	3/8 Drive 12 Point Deep SAE Socket 3/8"	80400S	3/8" Drive 6 Point Mid Length Metric Socket 18mm
80512	3/8 Drive 12 Point Deep SAE Socket 7/16"	80401S	3/8" Drive 6 Point Mid Length Metric Socket 19mm
80513	3/8 Drive 12 Point Deep SAE Socket 1/2"	80343	3/8" Drive 6 Point SAE Flex Socket 3/8"
80514	3/8 Drive 12 Point Deep SAE Socket 9/16"	80344	3/8" Drive 6 Point SAE Flex Socket 7/16"
80515D	3/8 Drive 12 Point Deep SAE Socket 5/8"	80345	3/8" Drive 6 Point SAE Flex Socket 1/2"
80516	3/8 Drive 12 Point Deep SAE Socket 11/16"	80346	3/8" Drive 6 Point SAE Flex Socket 9/16"
80517	3/8 Drive 12 Point Deep SAE Socket 3/4"	80347	3/8" Drive 6 Point SAE Flex Socket 5/8"
80518	3/8 Drive 12 Point Deep SAE Socket 13/16"	80348	3/8" Drive 6 Point SAE Flex Socket 11/16"
80519	3/8 Drive 12 Point Deep SAE Socket 7/8"	80349	3/8" Drive 6 Point SAE Flex Socket 3/4"
80520D	3/8 Drive 12 Point Deep Metric Socket 6mm	80333	3/8" Drive 6 Point Metric Flex Socket 10mm
80521	3/8 Drive 12 Point Deep Metric Socket 7mm	80334	3/8" Drive 6 Point Metric Flex Socket 11mm
80522	3/8 Drive 12 Point Deep Metric Socket 8mm	80335	3/8" Drive 6 Point Metric Flex Socket 12mm
80523	3/8 Drive 12 Point Deep Metric Socket 9mm	80336	3/8" Drive 6 Point Metric Flex Socket 13mm
80524	3/8 Drive 12 Point Deep Metric Socket 10mm	80337	3/8" Drive 6 Point Metric Flex Socket 14mm
80525	3/8 Drive 12 Point Deep Metric Socket 11mm	80338	3/8" Drive 6 Point Metric Flex Socket 15mm
80526	3/8 Drive 12 Point Deep Metric Socket 12mm	80339	3/8" Drive 6 Point Metric Flex Socket 16mm
80527	3/8 Drive 12 Point Deep Metric Socket 13mm	80340	3/8" Drive 6 Point Metric Flex Socket 17mm
80528	3/8 Drive 12 Point Deep Metric Socket 14mm	80341	3/8" Drive 6 Point Metric Flex Socket 18mm
80529	3/8 Drive 12 Point Deep Metric Socket 15mm	80342	3/8" Drive 6 Point Metric Flex Socket 19mm
80530	3/8 Drive 12 Point Deep Metric Socket 16mm	80602	1/2" Drive 6 Point Standard SAE Socket 7/16"
80531	3/8 Drive 12 Point Deep Metric Socket 17mm	80603	1/2" Drive 6 Point Standard SAE Socket 1/2"
80532	3/8 Drive 12 Point Deep Metric Socket 18mm	80604	1/2" Drive 6 Point Standard SAE Socket 9/16"
80533	3/8 Drive 12 Point Deep Metric Socket 19mm	80605	1/2" Drive 6 Point Standard SAE Socket 5/8"

Cat. No.	Description	Cat. No.	Description
80606	1/2" Drive 6 Point Standard SAE Socket 11/16"	80756	1/2" Drive 12 Point Standard Metric Socket 21mm
80607D	1/2" Drive 6 Point Standard SAE Socket 3/4"	80757	1/2" Drive 12 Point Standard Metric Socket 22mm
80608	1/2" Drive 6 Point Standard SAE Socket 13/16"	80758	1/2" Drive 12 Point Standard Metric Socket 23mm
80609	1/2" Drive 6 Point Standard SAE Socket 7/8"	80759	1/2" Drive 12 Point Standard Metric Socket 24mm
80610D	1/2" Drive 6 Point Standard SAE Socket 15/16"	80811	1/2" Drive 12 Point Standard Metric Socket 25mm
80611	1/2" Drive 6 Point Standard SAE Socket 1"	80681	1/2" Drive 12 Point Standard Metric Socket 26mm
80612	1/2" Drive 6 Point Standard SAE Socket 1-1/16"	80812	1/2" Drive 12 Point Standard Metric Socket 27mm
80613	1/2" Drive 6 Point Standard SAE Socket 1-1/8"	80682	1/2" Drive 12 Point Standard Metric Socket 28mm
80678	1/2" Drive 6 Point Standard SAE Socket 1-1/4"	80683	1/2" Drive 12 Point Standard Metric Socket 29mm
80679	1/2" Drive 6 Point Standard SAE Socket 1-1/2"	80813	1/2" Drive 12 Point Standard Metric Socket 30mm
80624	1/2" Drive 6 Point Standard Metric Socket 12mm	80814D	1/2" Drive 12 Point Standard Metric Socket 32mm
80625	1/2" Drive 6 Point Standard Metric Socket 13mm	80815D	1/2" Drive 12 Point Standard Metric Socket 36mm
80626D	1/2" Drive 6 Point Standard Metric Socket 14mm	80614	1/2" Drive 6 Point Deep SAE Socket 1/2"
80627	1/2" Drive 6 Point Standard Metric Socket 15mm	80615	1/2" Drive 6 Point Deep SAE Socket 9/16"
80628	1/2" Drive 6 Point Standard Metric Socket 16mm	80616	1/2" Drive 6 Point Deep SAE Socket 5/8"
80629	1/2" Drive 6 Point Standard Metric Socket 17mm	80617	1/2" Drive 6 Point Deep SAE Socket 11/16"
80630	1/2" Drive 6 Point Standard Metric Socket 18mm	80618	1/2" Drive 6 Point Deep SAE Socket 3/4"
80631	1/2" Drive 6 Point Standard Metric Socket 19mm	80619	1/2" Drive 6 Point Deep SAE Socket 13/16"
80632	1/2" Drive 6 Point Standard Metric Socket 20mm	80620	1/2" Drive 6 Point Deep SAE Socket 7/8"
80633	1/2" Drive 6 Point Standard Metric Socket 21mm	80621	1/2" Drive 6 Point Deep SAE Socket 15/16"
80634	1/2" Drive 6 Point Standard Metric Socket 22mm	80674	1/2" Drive 6 Point Deep SAE Socket 1"
80635	1/2" Drive 6 Point Standard Metric Socket 23mm	80675	1/2" Drive 6 Point Deep SAE Socket 1-1/16"
80636D	1/2" Drive 6 Point Standard Metric Socket 24mm	80676	1/2" Drive 6 Point Deep SAE Socket 1-1/8"
80761	1/2" Drive 12 Point Standard SAE Socket 1/2"	80685	1/2" Drive 6 Point Deep SAE Socket 1-1/4"
80762	1/2" Drive 12 Point Standard SAE Socket 9/16"	80686	1/2" Drive 6 Point Deep SAE Socket 1-1/2"
80763	1/2" Drive 12 Point Standard SAE Socket 5/8"	80637	1/2" Drive 6 Point Deep Metric Socket 10mm
80764	1/2" Drive 12 Point Standard SAE Socket 11/16"	80638	1/2" Drive 6 Point Deep Metric Socket 11mm
80765	1/2" Drive 12 Point Standard SAE Socket 3/4"	80639	1/2" Drive 6 Point Deep Metric Socket 12mm
80766	1/2" Drive 12 Point Standard SAE Socket 13/16"	80640	1/2" Drive 6 Point Deep Metric Socket 13mm
80767	1/2" Drive 12 Point Standard SAE Socket 7/8"	80641	1/2" Drive 6 Point Deep Metric Socket 14mm
80768	1/2" Drive 12 Point Standard SAE Socket 15/16"	80642	1/2" Drive 6 Point Deep Metric Socket 15mm
80769	1/2" Drive 12 Point Standard SAE Socket 1"	80643	1/2" Drive 6 Point Deep Metric Socket 16mm
80770	1/2" Drive 12 Point Standard SAE Socket 1-1/16"	80644	1/2" Drive 6 Point Deep Metric Socket 17mm
80771	1/2" Drive 12 Point Standard SAE Socket 1-1/8"	80645	1/2" Drive 6 Point Deep Metric Socket 18mm
80806	1/2" Drive 12 Point Standard Metric Socket 9mm	80646D	1/2" Drive 6 Point Deep Metric Socket 19mm
80745	1/2" Drive 12 Point Standard Metric Socket 10mm	80773	1/2" Drive 12 Point Deep SAE Socket 1/2"
80746	1/2" Drive 12 Point Standard Metric Socket 11mm	80774	1/2" Drive 12 Point Deep SAE Socket 9/16"
80747	1/2" Drive 12 Point Standard Metric Socket 12mm	80775	1/2" Drive 12 Point Deep SAE Socket 5/8"
80748D	1/2" Drive 12 Point Standard Metric Socket 13mm	80776	1/2" Drive 12 Point Deep SAE Socket 11/16"
80749	1/2" Drive 12 Point Standard Metric Socket 14mm	80777D	1/2" Drive 12 Point Deep SAE Socket 3/4"
80750	1/2" Drive 12 Point Standard Metric Socket 15mm	80778	1/2" Drive 12 Point Deep SAE Socket 13/16"
80751	1/2" Drive 12 Point Standard Metric Socket 16mm	80779	1/2" Drive 12 Point Deep SAE Socket 7/8"
80752	1/2" Drive 12 Point Standard Metric Socket 17mm	80780	1/2" Drive 12 Point Deep SAE Socket 15/16"
80753	1/2" Drive 12 Point Standard Metric Socket 18mm	80785	1/2" Drive 12 Point Deep Metric Socket 14mm
80754	1/2" Drive 12 Point Standard Metric Socket 19mm	80786	1/2" Drive 12 Point Deep Metric Socket 15mm
80755D	1/2" Drive 12 Point Standard Metric Socket 20mm	80787	1/2" Drive 12 Point Deep Metric Socket 16mm

■ *Continued on next page*



**613 Pc. Master Mechanics Hand Tool Set** ■ *Continued from previous page*

Cat. No.	Description	Cat. No.	Description
80788	1/2" Drive 12 Point Deep Metric Socket 17mm	80430	3/8" Drive Hex Bit Metric Socket 9mm
80789	1/2" Drive 12 Point Deep Metric Socket 18mm	80431	3/8" Drive Hex Bit Metric Socket 10mm
80790	1/2" Drive 12 Point Deep Metric Socket 19mm	80432	3/8" Drive Hex Bit Metric Socket 11mm
80817D	1/2" Drive 12 Point Deep Metric Socket 20mm	80433	3/8" Drive Hex Bit Metric Socket 12mm
80818	1/2" Drive 12 Point Deep Metric Socket 21mm	80434	3/8" Drive Long Ball End Hex Bit SAE Socket 1/8"
80820	1/2" Drive 12 Point Deep Metric Socket 22mm	80435	3/8" Drive Long Ball End Hex Bit SAE Socket 5/32"
80822	1/2" Drive 12 Point Deep Metric Socket 24mm	80436D	3/8" Drive Long Ball End Hex Bit SAE Socket 3/16"
80824	1/2" Drive 12 Point Deep Metric Socket 27mm	80437	3/8" Drive Long Ball End Hex Bit SAE Socket 7/32"
80826	1/2" Drive 12 Point Deep Metric Socket 30mm	80438	3/8" Drive Long Ball End Hex Bit SAE Socket 1/4"
80827	1/2" Drive 12 Point Deep Metric Socket 32mm	80439	3/8" Drive Long Ball End Hex Bit SAE Socket 5/16"
80151D	1/4" Drive Hex Bit SAE Socket 1/16"	80440	3/8" Drive Long Ball End Hex Bit SAE Socket 3/8"
80152	1/4" Drive Hex Bit SAE Socket 5/64"	80441	3/8" Drive Long Ball End Hex Bit Metric Socket 3mm
80153	1/4" Drive Hex Bit SAE Socket 3/32"	80442	3/8" Drive Long Ball End Hex Bit Metric Socket 4mm
80154	1/4" Drive Hex Bit SAE Socket 7/64"	80443	3/8" Drive Long Ball End Hex Bit Metric Socket 5mm
80155	1/4" Drive Hex Bit SAE Socket 1/8"	80444	3/8" Drive Long Ball End Hex Bit Metric Socket 6mm
80156	1/4" Drive Hex Bit SAE Socket 9/64"	80445	3/8" Drive Long Ball End Hex Bit Metric Socket 7mm
80157	1/4" Drive Hex Bit SAE Socket 5/32"	80446	3/8" Drive Long Ball End Hex Bit Metric Socket 8mm
80158	1/4" Drive Hex Bit SAE Socket 3/16"	80447	3/8" Drive Long Ball End Hex Bit Metric Socket 9mm
80159	1/4" Drive Hex Bit SAE Socket 7/32"	80448	3/8" Drive Long Ball End Hex Bit Metric Socket 10mm
80160	1/4" Drive Hex Bit SAE Socket 1/4"	80467	3/8" Drive Phillips® Bit Socket #1
80161	1/4" Drive Hex Bit Metric Socket 2mm	80468	3/8" Drive Phillips® Bit Socket #2
80162	1/4" Drive Hex Bit Metric Socket 2.5mm	80469	3/8" Drive Phillips® Bit Socket #3
80163	1/4" Drive Hex Bit Metric Socket 3mm	80464	3/8" Drive Slotted Bit Socket 4mm
80164	1/4" Drive Hex Bit Metric Socket 4mm	80465	3/8" Drive Slotted Bit Socket 5mm
80165	1/4" Drive Hex Bit Metric Socket 5mm	80466	3/8" Drive Slotted Bit Socket 6mm
80166	1/4" Drive Hex Bit Metric Socket 6mm	80470	3/8" Drive Pozidriv® Bit Socket #2
80410	3/8" Drive Hex Bit SAE Socket 1/16"	80651	1/2" Drive Hex Bit SAE Socket 5/16"
80411	3/8" Drive Hex Bit SAE Socket 5/64"	80652	1/2" Drive Hex Bit SAE Socket 3/8"
80412D	3/8" Drive Hex Bit SAE Socket 3/32"	80653	1/2" Drive Hex Bit SAE Socket 7/16"
80413	3/8" Drive Hex Bit SAE Socket 7/64"	80654	1/2" Drive Hex Bit SAE Socket 1/2"
80414	3/8" Drive Hex Bit SAE Socket 1/8"	80655	1/2" Drive Hex Bit SAE Socket 9/16"
80415D	3/8" Drive Hex Bit SAE Socket 9/64"	80656	1/2" Drive Hex Bit SAE Socket 5/8"
80416	3/8" Drive Hex Bit SAE Socket 5/32"	80657	1/2" Drive Hex Bit SAE Socket 3/4"
80417	3/8" Drive Hex Bit SAE Socket 3/16"	80658	1/2" Drive Hex Bit Metric Socket 6mm
80418	3/8" Drive Hex Bit SAE Socket 7/32"	80659	1/2" Drive Hex Bit Metric Socket 8mm
80419	3/8" Drive Hex Bit SAE Socket 1/4"	80660	1/2" Drive Hex Bit Metric Socket 10mm
80420	3/8" Drive Hex Bit SAE Socket 5/16"	80661	1/2" Drive Hex Bit Metric Socket 12mm
80421	3/8" Drive Hex Bit SAE Socket 3/8"	80662	1/2" Drive Hex Bit Metric Socket 14mm
80422	3/8" Drive Hex Bit Metric Socket 2mm	80663	1/2" Drive Hex Bit Metric Socket 17mm
80423	3/8" Drive Hex Bit Metric Socket 2.5mm	80664	1/2" Drive Hex Bit Metric Socket 19mm
80424	3/8" Drive Hex Bit Metric Socket 3mm	82063	10" Straight Jaw Tongue and Groove Pliers
80425	3/8" Drive Hex Bit Metric Socket 4mm	82065	12" Straight Jaw Tongue and Groove Pliers
80426	3/8" Drive Hex Bit Metric Socket 5mm	82069	8" Slip Joint Pliers
80427	3/8" Drive Hex Bit Metric Socket 6mm	82071	7" Heavy-Duty Diagonal Cutting Pliers
80428D	3/8" Drive Hex Bit Metric Socket 7mm	82073	7-1/2" Long Nose Side Cutting Pliers
80429	3/8" Drive Hex Bit Metric Socket 8mm	82075	8" Lineman's Side Cutting Pliers

Cat. No.	Description	Cat. No.	Description
82076	7" End Cutting Nipper Pliers	80011	Dual Material Phillips® Screwdriver #3 x 6"
80000	Dual Material Phillips® Screwdriver #0 x 2-1/2"	80018D	Dual Material Slotted Screwdriver 3/16" x 6"
80001	Dual Material Phillips® Screwdriver #1 x 3"	80012D	Dual Material Slotted Screwdriver 1/4" x 1-1/2"
80004	Dual Material Phillips® Screwdriver #1 x 6"	80013	Dual Material Slotted Screwdriver 1/4" x 4"
80005	Dual Material Phillips® Screwdriver #2 x 1-1/2"	80014	Dual Material Slotted Screwdriver 1/4" x 6"
80007	Dual Material Phillips® Screwdriver #2 x 4"	80023	Dual Material Slotted Screwdriver 5/16" x 6"
		80022	Dual Material Slotted Screwdriver 3/8" x 8"

**243 Pc. 1/4", 3/8", and 1/2" Drive 6 Point SAE/Metric Mechanics Tool Set**

- Full polish chrome SAE and metric 1/4, 3/8" and 1/2" standard sockets, and 1/4" and 3/8" deep sockets
- 84 tooth full polish chrome teardrop ratchets, with flush mounted on/off lever
- Contains 6 point full polish long pattern combination wrenches and sockets
- Combination wrenches feature a 15° offset box end for added knuckle clearance
- Sockets and wrenches feature off-corner loading design to reduce fastener rounding
- Universal joints provide additional access to hard to reach fasteners
- Magnetic bit driver with 30 bits including Torx®, hex, slotted and Phillips®
- Extension bars feature a knurled grip, providing a non slip surface
- 3-drawer storage box with independent sliding drawers, locking side flaps, a steel hinged lid and a durable handle
- Meets or exceeds ASME specifications



Cat. No.	Included Storage	Product Weight
80966	3 Drawer Storage Box	48.000 lb



Cat. No.	Description	Cat. No.	Description
81011F	1/4" Drive 84 Tooth Teardrop Ratchet 5"	81342	1/2" Drive Extension 10"
81211F	3/8" Drive 84 Tooth Teardrop Ratchet 8-1/4"	80480	1/4" Bit Adapter 1/4" Drive
81304F	1/2" Drive 84 Tooth Teardrop Ratchet 11"	81127	1/4" Drive 1/4" F x 3/8" M Adapter
82783	1/4" Magnetic Bit Holding Screwdriver Handle	81277	3/8" Drive 3/8" F x 1/4" M Adapter
81101	1/4" Drive Extension 2"	81278	3/8" Drive 3/8" F x 1/2" M Adapter
81113D	1/4" Drive Extension 3"	81354	1/2" Drive 1/2" F x 3/8" M Adapter
81114D	1/4" Drive Extension 4"	80100	1/4" Drive Universal Joint
81116	1/4" Drive Extension 6"	80549	3/8" Drive Universal Joint
81240	3/8" Drive Extension 1-1/2"	80600D	1/2" Drive Universal Joint
81241	3/8" Drive Extension 3"	81768	1/4" 6 Point Combination Wrench
81242	3/8" Drive Extension 6"	81769	5/16" 6 Point Combination Wrench
81243	3/8" Drive Extension 10"	81771	3/8" 6 Point Combination Wrench
81340	1/2" Drive Extension 3"	81772	7/16" 6 Point Combination Wrench
81341	1/2" Drive Extension 5"	81773	1/2" 6 Point Combination Wrench

■ *Continued on next page*

**243 Pc. 6 Point Mechanics Tool Set** ■ *Continued from previous page*

Cat. No.	Description	Cat. No.	Description
81774	9/16" 6 Point Combination Wrench	80119	1/4" Drive 6 Point Deep SAE Socket 5/16"
81775	5/8" 6 Point Combination Wrench	80120D	1/4" Drive 6 Point Deep SAE Socket 11/32"
81776	11/16" 6 Point Combination Wrench	80121	1/4" Drive 6 Point Deep SAE Socket 3/8"
81777	3/4" 6 Point Combination Wrench	80122D	1/4" Drive 6 Point Deep SAE Socket 7/16"
81754	6mm 6 Point Combination Wrench	80123	1/4" Drive 6 Point Deep SAE Socket 1/2"
81755	7mm 6 Point Combination Wrench	80124	1/4" Drive 6 Point Deep SAE Socket 9/16"
81756	8mm 6 Point Combination Wrench	80138	1/4" Drive 6 Point Deep Metric Socket 4mm
81757	9mm 6 Point Combination Wrench	80139	1/4" Drive 6 Point Deep Metric Socket 5mm
81758	10mm 6 Point Combination Wrench	80140	1/4" Drive 6 Point Deep Metric Socket 5.5mm
81759	11mm 6 Point Combination Wrench	80141	1/4" Drive 6 Point Deep Metric Socket 6mm
81760D	12mm 6 Point Combination Wrench	80142	1/4" Drive 6 Point Deep Metric Socket 7mm
81761	13mm 6 Point Combination Wrench	80143	1/4" Drive 6 Point Deep Metric Socket 8mm
81762	14mm 6 Point Combination Wrench	80144	1/4" Drive 6 Point Deep Metric Socket 9mm
81763	15mm 6 Point Combination Wrench	80145	1/4" Drive 6 Point Deep Metric Socket 10mm
81764	16mm 6 Point Combination Wrench	80146D	1/4" Drive 6 Point Deep Metric Socket 11mm
81765D	17mm 6 Point Combination Wrench	80147	1/4" Drive 6 Point Deep Metric Socket 12mm
81766	18mm 6 Point Combination Wrench	80148	1/4" Drive 6 Point Deep Metric Socket 13mm
81767	19mm 6 Point Combination Wrench	80149	1/4" Drive 6 Point Deep Metric Socket 14mm
80104D	1/4" Drive 6 Point Standard SAE Socket 5/32"	80150	1/4" Drive 6 Point Deep Metric Socket 15mm
80105	1/4" Drive 6 Point Standard SAE Socket 3/16"	80350	3/8" Drive 6 Point Standard SAE Socket 1/4"
80106	1/4" Drive 6 Point Standard SAE Socket 7/32"	80351	3/8" Drive 6 Point Standard SAE Socket 5/16"
80107	1/4" Drive 6 Point Standard SAE Socket 1/4"	80352	3/8" Drive 6 Point Standard SAE Socket 3/8"
80108	1/4" Drive 6 Point Standard SAE Socket 9/32"	80353	3/8" Drive 6 Point Standard SAE Socket 7/16"
80109	1/4" Drive 6 Point Standard SAE Socket 5/16"	80354	3/8" Drive 6 Point Standard SAE Socket 1/2"
80110	1/4" Drive 6 Point Standard SAE Socket 11/32"	80355	3/8" Drive 6 Point Standard SAE Socket 9/16"
80111	1/4" Drive 6 Point Standard SAE Socket 3/8"	80356	3/8" Drive 6 Point Standard SAE Socket 5/8"
80112	1/4" Drive 6 Point Standard SAE Socket 7/16"	80357	3/8" Drive 6 Point Standard SAE Socket 11/16"
80113D	1/4" Drive 6 Point Standard SAE Socket 1/2"	80358	3/8" Drive 6 Point Standard SAE Socket 3/4"
80114D	1/4" Drive 6 Point Standard SAE Socket 9/16"	80359	3/8" Drive 6 Point Standard SAE Socket 13/16"
80125	1/4" Drive 6 Point Standard Metric Socket 4mm	80360	3/8" Drive 6 Point Standard SAE Socket 7/8"
80126	1/4" Drive 6 Point Standard Metric Socket 5mm	80361	3/8" Drive 6 Point Standard SAE Socket 15/16"
80127	1/4" Drive 6 Point Standard Metric Socket 5.5mm	80362	3/8" Drive 6 Point Standard SAE Socket 1"
80128	1/4" Drive 6 Point Standard Metric Socket 6mm	80374	3/8" Drive 6 Point Standard Metric Socket 6mm
80129	1/4" Drive 6 Point Standard Metric Socket 7mm	80375	3/8" Drive 6 Point Standard Metric Socket 7mm
80130	1/4" Drive 6 Point Standard Metric Socket 8mm	80376	3/8" Drive 6 Point Standard Metric Socket 8mm
80131D	1/4" Drive 6 Point Standard Metric Socket 9mm	80377	3/8" Drive 6 Point Standard Metric Socket 9mm
80132	1/4" Drive 6 Point Standard Metric Socket 10mm	80378	3/8" Drive 6 Point Standard Metric Socket 10mm
80133	1/4" Drive 6 Point Standard Metric Socket 11mm	80379	3/8" Drive 6 Point Standard Metric Socket 11mm
80134	1/4" Drive 6 Point Standard Metric Socket 12mm	80380	3/8" Drive 6 Point Standard Metric Socket 12mm
80135D	1/4" Drive 6 Point Standard Metric Socket 13mm	80381	3/8" Drive 6 Point Standard Metric Socket 13mm
80136	1/4" Drive 6 Point Standard Metric Socket 14mm	80382	3/8" Drive 6 Point Standard Metric Socket 14mm
80137	1/4" Drive 6 Point Standard Metric Socket 15mm	80383	3/8" Drive 6 Point Standard Metric Socket 15mm
80115	1/4" Drive 6 Point Deep SAE Socket 3/16"	80384	3/8" Drive 6 Point Standard Metric Socket 16mm
80116D	1/4" Drive 6 Point Deep SAE Socket 7/32"	80385	3/8" Drive 6 Point Standard Metric Socket 17mm
80117	1/4" Drive 6 Point Deep SAE Socket 1/4"	80386	3/8" Drive 6 Point Standard Metric Socket 18mm
80118	1/4" Drive 6 Point Deep SAE Socket 9/32"	80387	3/8" Drive 6 Point Standard Metric Socket 19mm

Cat. No.	Description	Cat. No.	Description
80330	3/8" Drive 6 Point Standard Metric Socket 20mm	80603	1/2" Drive 6 Point Standard SAE Socket 1/2"
80331	3/8" Drive 6 Point Standard Metric Socket 21mm	80604	1/2" Drive 6 Point Standard SAE Socket 9/16"
80332	3/8" Drive 6 Point Standard Metric Socket 22mm	80605	1/2" Drive 6 Point Standard SAE Socket 5/8"
80363	3/8" Drive 6 Point Deep SAE Socket 1/4"	80606	1/2" Drive 6 Point Standard SAE Socket 11/16"
80364	3/8" Drive 6 Point Deep SAE Socket 5/16"	80607D	1/2" Drive 6 Point Standard SAE Socket 3/4"
80365	3/8" Drive 6 Point Deep SAE Socket 3/8"	80608	1/2" Drive 6 Point Standard SAE Socket 13/16"
80366	3/8" Drive 6 Point Deep SAE Socket 7/16"	80609	1/2" Drive 6 Point Standard SAE Socket 7/8"
80367	3/8" Drive 6 Point Deep SAE Socket 1/2"	80610D	1/2" Drive 6 Point Standard SAE Socket 15/16"
80368	3/8" Drive 6 Point Deep SAE Socket 9/16"	80611	1/2" Drive 6 Point Standard SAE Socket 1"
80369	3/8" Drive 6 Point Deep SAE Socket 5/8"	80612	1/2" Drive 6 Point Standard SAE Socket 1-1/16"
80370D	3/8" Drive 6 Point Deep SAE Socket 11/16"	80613	1/2" Drive 6 Point Standard SAE Socket 1-1/8"
80371	3/8" Drive 6 Point Deep SAE Socket 3/4"	80677	1/2" Drive 6 Point Standard SAE Socket 1-3/16"
80372	3/8" Drive 6 Point Deep SAE Socket 13/16"	80678	1/2" Drive 6 Point Standard SAE Socket 1-1/4"
80373	3/8" Drive 6 Point Deep SAE Socket 7/8"	80679	1/2" Drive 6 Point Standard SAE Socket 1-1/2"
80592	3/8 Drive 6 Point Deep SAE Socket 15/16"	80622	1/2" Drive 6 Point Standard Metric Socket 10mm
80593	3/8 Drive 6 Point Deep SAE Socket 1"	80623	1/2" Drive 6 Point Standard Metric Socket 11mm
80388	3/8" Drive 6 Point Deep Metric Socket 6mm	80624	1/2" Drive 6 Point Standard Metric Socket 12mm
80389	3/8" Drive 6 Point Deep Metric Socket 7mm	80625	1/2" Drive 6 Point Standard Metric Socket 13mm
80390	3/8" Drive 6 Point Deep Metric Socket 8mm	80626D	1/2" Drive 6 Point Standard Metric Socket 14mm
80391	3/8" Drive 6 Point Deep Metric Socket 9mm	80627	1/2" Drive 6 Point Standard Metric Socket 15mm
80392	3/8" Drive 6 Point Deep Metric Socket 10mm	80628	1/2" Drive 6 Point Standard Metric Socket 16mm
80393D	3/8" Drive 6 Point Deep Metric Socket 11mm	80629	1/2" Drive 6 Point Standard Metric Socket 17mm
80394D	3/8" Drive 6 Point Deep Metric Socket 12mm	80630	1/2" Drive 6 Point Standard Metric Socket 18mm
80395	3/8" Drive 6 Point Deep Metric Socket 13mm	80631	1/2" Drive 6 Point Standard Metric Socket 19mm
80396	3/8" Drive 6 Point Deep Metric Socket 14mm	80632	1/2" Drive 6 Point Standard Metric Socket 20mm
80397	3/8" Drive 6 Point Deep Metric Socket 15mm	80633	1/2" Drive 6 Point Standard Metric Socket 21mm
80398	3/8" Drive 6 Point Deep Metric Socket 16mm	80634	1/2" Drive 6 Point Standard Metric Socket 22mm
80399	3/8" Drive 6 Point Deep Metric Socket 17mm	80635	1/2" Drive 6 Point Standard Metric Socket 23mm
80400	3/8" Drive 6 Point Deep Metric Socket 18mm	80636D	1/2" Drive 6 Point Standard Metric Socket 24mm
80401	3/8" Drive 6 Point Deep Metric Socket 19mm	80402	3/8" Drive 6 Point 2-1/2" Spark Plug Socket 5/8"
-	3/8" Dr. Hex Bit Socket 5/32"	80403	3/8" Drive 6 Point 2-1/2" Spark Plug Socket 13/16"
-	3/8" Dr. Hex Bit Socket 3/16"	-	30 Pc. Bit Set with Box
-	3/8" Dr. Hex Bit Socket 7/32"	-	3/16" Nutdriver Bit
-	3/8" Dr. Hex Bit Socket 1/4"	-	1/4" Nutdriver Bit
-	3/8" Dr. Hex Bit Socket 5/16"	-	5/16" Nutdriver Bit
-	3/8" Dr. Hex Bit Socket 3/8"	-	11/32" Nutdriver Bit
-	3/8" Dr. Hex Bit Socket 2mm	-	3/8" Nutdriver Bit
-	3/8" Dr. Hex Bit Socket 2.5mm	-	7/16" Nutdriver Bit
-	3/8" Dr. Hex Bit Socket 3mm	-	1/2" Nutdriver Bit
-	3/8" Dr. Hex Bit Socket 4mm	-	5mm Nutdriver Bit
-	3/8" Dr. Hex Bit Socket 5mm	-	6mm Nutdriver Bit
-	3/8" Dr. Hex Bit Socket 6mm	-	7mm Nutdriver Bit
-	3/8" Dr. Hex Bit Socket 7mm	-	8mm Nutdriver Bit
-	3/8" Dr. Hex Bit Socket 8mm	-	9mm Nutdriver Bit
-	3/8" Dr. Hex Bit Socket 9mm	-	10mm Nutdriver Bit
-	3/8" Dr. Hex Bit Socket 10mm	-	11mm Nutdriver Bit
80648	1/2" Drive 6 Point Standard SAE Socket 3/8"		
80602	1/2" Drive 6 Point Standard SAE Socket 7/16"		



## 243 Pc. 1/4", 3/8", and 1/2" Drive 12 Point SAE/Metric Mechanics Tool Set

- Full polish chrome SAE and metric 1/4, 3/8" and 1/2" standard sockets, and 1/4" and 3/8" deep sockets
- 84 tooth full polish chrome teardrop ratchets, with flush mounted on/off lever
- Contains 12 point full polish long pattern combination wrenches and sockets
- Combination wrenches feature a 15° offset box end for added knuckle clearance
- Sockets and wrenches feature off-corner loading design to reduce fastener rounding
- Universal joints provide additional access to hard to reach fasteners
- Magnetic bit driver with 30 bits including Torx®, hex, slotted and Phillips®
- Extension bars feature a knurled grip, providing a non slip surface
- 3 drawer storage box with independent sliding drawers, locking side flaps, a steel hinged lid and a durable handle
- Meets or exceeds ASME specifications



Cat. No.	Included Storage	Product Weight
80972	3 Drawer Storage Box	48.000 lb

Cat. No.	Description	Cat. No.	Description
81011F	1/4" Drive 84 Tooth Teardrop Ratchet 5"	81659	11/16" 12 Point Long Pattern Combination Wrench
81211F	3/8" Drive 84 Tooth Teardrop Ratchet 8-1/4"	81660	3/4" 12 Point Long Pattern Combination Wrench
81304F	1/2" Drive 84 Tooth Teardrop Ratchet 11"	81736	6mm 12 Point Long Pattern Combination Wrench
82783	1/4" Magnetic Bit Holding Screwdriver Handle	81737	7mm 12 Point Long Pattern Combination Wrench
80480	1/4" Bit Adapter 1/4" Drive	81665	8mm 12 Point Long Pattern Combination Wrench
81101	1/4" Drive Extension 2"	81666	9mm 12 Point Long Pattern Combination Wrench
81113D	1/4" Drive Extension 3"	81667	10mm 12 Point Long Pattern Combination Wrench
81114D	1/4" Drive Extension 4"	81668	11mm 12 Point Long Pattern Combination Wrench
81116	1/4" Drive Extension 6"	81669	12mm 12 Point Long Pattern Combination Wrench
81240	3/8" Drive Extension 1-1/2"	81670	13mm 12 Point Long Pattern Combination Wrench
81241	3/8" Drive Extension 3"	81671	14mm 12 Point Long Pattern Combination Wrench
81242	3/8" Drive Extension 6"	81672	15mm 12 Point Long Pattern Combination Wrench
81243	3/8" Drive Extension 10"	81673	16mm 12 Point Long Pattern Combination Wrench
81340	1/2" Drive Extension 3"	81674	17mm 12 Point Long Pattern Combination Wrench
81341	1/2" Drive Extension 5"	81675	18mm 12 Point Long Pattern Combination Wrench
81342	1/2" Drive Extension 10"	81676	19mm 12 Point Long Pattern Combination Wrench
81127	1/4" Drive 1/4" F x 3/8" M Adapter	80290	1/4" Drive 12 Point Standard SAE Socket 5/32"
81277	3/8" Drive 3/8" F x 1/4" M Adapter	80210	1/4" Drive 12 Point Standard SAE Socket 3/16"
81278	3/8" Drive 3/8" F x 1/2" M Adapter	80211	1/4" Drive 12 Point Standard SAE Socket 7/32"
81354	1/2" Drive 1/2" F x 3/8" M Adapter	80212	1/4" Drive 12 Point Standard SAE Socket 1/4"
80100	1/4" Drive Universal Joint	80213	1/4" Drive 12 Point Standard SAE Socket 9/32"
80549	3/8" Drive Universal Joint	80214	1/4" Drive 12 Point Standard SAE Socket 5/16"
80600D	1/2" Drive Universal Joint	80215D	1/4" Drive 12 Point Standard SAE Socket 11/32"
81650	1/4" 12 Point Long Pattern Combination Wrench	80216	1/4" Drive 12 Point Standard SAE Socket 3/8"
81652D	5/16" 12 Point Long Pattern Combination Wrench	80217	1/4" Drive 12 Point Standard SAE Socket 7/16"
81654	3/8" 12 Point Long Pattern Combination Wrench	80218	1/4" Drive 12 Point Standard SAE Socket 1/2"
81655	7/16" 12 Point Long Pattern Combination Wrench	80219	1/4" Drive 12 Point Standard SAE Socket 9/16"
81656	1/2" 12 Point Long Pattern Combination Wrench	80197	1/4" Drive 12 Point Standard Metric Socket 4mm
81657	9/16" 12 Point Long Pattern Combination Wrench	80198	1/4" Drive 12 Point Standard Metric Socket 5mm
81658	5/8" 12 Point Long Pattern Combination Wrench	80199	1/4" Drive 12 Point Standard Metric Socket 5.5mm

Cat. No.	Description	Cat. No.	Description
80200	1/4" Drive 12 Point Standard Metric Socket 6mm	80482	3/8" Drive 12 Point Standard Metric Socket 6mm
80201	1/4" Drive 12 Point Standard Metric Socket 7mm	80483	3/8" Drive 12 Point Standard Metric Socket 7mm
80202	1/4" Drive 12 Point Standard Metric Socket 8mm	80484	3/8" Drive 12 Point Standard Metric Socket 8mm
80203	1/4" Drive 12 Point Standard Metric Socket 9mm	80485	3/8" Drive 12 Point Standard Metric Socket 9mm
80204	1/4" Drive 12 Point Standard Metric Socket 10mm	80486	3/8" Drive 12 Point Standard Metric Socket 10mm
80205	1/4" Drive 12 Point Standard Metric Socket 11mm	80487	3/8" Drive 12 Point Standard Metric Socket 11mm
80206	1/4" Drive 12 Point Standard Metric Socket 12mm	80488	3/8" Drive 12 Point Standard Metric Socket 12mm
80207	1/4" Drive 12 Point Standard Metric Socket 13mm	80489	3/8" Drive 12 Point Standard Metric Socket 13mm
80208	1/4" Drive 12 Point Standard Metric Socket 14mm	80490	3/8" Drive 12 Point Standard Metric Socket 14mm
80209	1/4" Drive 12 Point Standard Metric Socket 15mm	80491	3/8" Drive 12 Point Standard Metric Socket 15mm
80220	1/4" Drive 12 Point Deep SAE Socket 3/16"	80492	3/8" Drive 12 Point Standard Metric Socket 16mm
80221	1/4" Drive 12 Point Deep SAE Socket 7/32"	80493	3/8" Drive 12 Point Standard Metric Socket 17mm
80222	1/4" Drive 12 Point Deep SAE Socket 1/4"	80494	3/8" Drive 12 Point Standard Metric Socket 18mm
80223D	1/4" Drive 12 Point Deep SAE Socket 9/32"	80495	3/8" Drive 12 Point Standard Metric Socket 19mm
80224	1/4" Drive 12 Point Deep SAE Socket 5/16"	80596	3/8" Drive 12 Point Standard Metric Socket 20mm
80225	1/4" Drive 12 Point Deep SAE Socket 11/32"	80597	3/8" Drive 12 Point Standard Metric Socket 21mm
80226	1/4" Drive 12 Point Deep SAE Socket 3/8"	80598	3/8" Drive 12 Point Standard Metric Socket 22mm
80227	1/4" Drive 12 Point Deep SAE Socket 7/16"	80509	3/8" Drive 12 Point Deep SAE Socket 1/4"
80228	1/4" Drive 12 Point Deep SAE Socket 1/2"	80510D	3/8" Drive 12 Point Deep SAE Socket 5/16"
80229	1/4" Drive 12 Point Deep SAE Socket 9/16"	80511	3/8" Drive 12 Point Deep SAE Socket 3/8"
80230	1/4" Drive 12 Point Deep Metric Socket 4mm	80512	3/8" Drive 12 Point Deep SAE Socket 7/16"
80231	1/4" Drive 12 Point Deep Metric Socket 5mm	80513	3/8" Drive 12 Point Deep SAE Socket 1/2"
80232	1/4" Drive 12 Point Deep Metric Socket 5.5mm	80514	3/8" Drive 12 Point Deep SAE Socket 9/16"
80233	1/4" Drive 12 Point Deep Metric Socket 6mm	80515D	3/8" Drive 12 Point Deep SAE Socket 5/8"
80234	1/4" Drive 12 Point Deep Metric Socket 7mm	80516	3/8" Drive 12 Point Deep SAE Socket 11/16"
80235	1/4" Drive 12 Point Deep Metric Socket 8mm	80517	3/8" Drive 12 Point Deep SAE Socket 3/4"
80236	1/4" Drive 12 Point Deep Metric Socket 9mm	80518	3/8" Drive 12 Point Deep SAE Socket 13/16"
80237	1/4" Drive 12 Point Deep Metric Socket 10mm	80519	3/8" Drive 12 Point Deep SAE Socket 7/8"
80238	1/4" Drive 12 Point Deep Metric Socket 11mm	80594	3/8" Drive 12 Point Deep SAE Socket 15/16"
80239D	1/4" Drive 12 Point Deep Metric Socket 12mm	80595	3/8" Drive 12 Point Deep SAE Socket 1"
80240	1/4" Drive 12 Point Deep Metric Socket 13mm	80520D	3/8" Drive 12 Point Deep Metric Socket 6mm
80241	1/4" Drive 12 Point Deep Metric Socket 14mm	80521	3/8" Drive 12 Point Deep Metric Socket 7mm
80242	1/4" Drive 12 Point Deep Metric Socket 15mm	80522	3/8" Drive 12 Point Deep Metric Socket 8mm
80496	3/8" Drive 12 Point Standard SAE Socket 1/4"	80523	3/8" Drive 12 Point Deep Metric Socket 9mm
80497D	3/8" Drive 12 Point Standard SAE Socket 5/16"	80524	3/8" Drive 12 Point Deep Metric Socket 10mm
80498	3/8" Drive 12 Point Standard SAE Socket 3/8"	80525	3/8" Drive 12 Point Deep Metric Socket 11mm
80499	3/8" Drive 12 Point Standard SAE Socket 7/16"	80526	3/8" Drive 12 Point Deep Metric Socket 12mm
80500D	3/8" Drive 12 Point Standard SAE Socket 1/2"	80527	3/8" Drive 12 Point Deep Metric Socket 13mm
80501	3/8" Drive 12 Point Standard SAE Socket 9/16"	80528	3/8" Drive 12 Point Deep Metric Socket 14mm
80502	3/8" Drive 12 Point Standard SAE Socket 5/8"	80529	3/8" Drive 12 Point Deep Metric Socket 15mm
80503	3/8" Drive 12 Point Standard SAE Socket 11/16"	80530	3/8" Drive 12 Point Deep Metric Socket 16mm
80504	3/8" Drive 12 Point Standard SAE Socket 3/4"	80531	3/8" Drive 12 Point Deep Metric Socket 17mm
80505	3/8" Drive 12 Point Standard SAE Socket 13/16"	80532	3/8" Drive 12 Point Deep Metric Socket 18mm
80506D	3/8" Drive 12 Point Standard SAE Socket 7/8"	80533	3/8" Drive 12 Point Deep Metric Socket 19mm
80507	3/8" Drive 12 Point Standard SAE Socket 15/16"	80689	1/2" Drive 12 Point Standard SAE Socket 3/8"
80508	3/8" Drive 12 Point Standard SAE Socket 1"	80760	1/2" Drive 12 Point Standard SAE Socket 7/16"

■ continued on next page

**243 Pc. 12 Point Mechanics Tool Set** ■ *continued from previous page*

Cat. No.	Description	Cat. No.	Description
80761	1/2" Drive 12 Point Standard SAE Socket 1/2"	-	3/8" Dr. Hex Bit Socket 5/32"
80762	1/2" Drive 12 Point Standard SAE Socket 9/16"	-	3/8" Dr. Hex Bit Socket 3/16"
80763	1/2" Drive 12 Point Standard SAE Socket 5/8"	-	3/8" Dr. Hex Bit Socket 7/32"
80764	1/2" Drive 12 Point Standard SAE Socket 11/16"	-	3/8" Dr. Hex Bit Socket 1/4"
80765	1/2" Drive 12 Point Standard SAE Socket 3/4"	-	3/8" Dr. Hex Bit Socket 5/16"
80766	1/2" Drive 12 Point Standard SAE Socket 13/16"	-	3/8" Dr. Hex Bit Socket 3/8"
80767	1/2" Drive 12 Point Standard SAE Socket 7/8"	-	3/8" Dr. Hex Bit Socket 2mm
80768	1/2" Drive 12 Point Standard SAE Socket 15/16"	-	3/8" Dr. Hex Bit Socket 2.5mm
80769	1/2" Drive 12 Point Standard SAE Socket 1"	-	3/8" Dr. Hex Bit Socket 3mm
80770	1/2" Drive 12 Point Standard SAE Socket 1-1/16"	-	3/8" Dr. Hex Bit Socket 4mm
80771	1/2" Drive 12 Point Standard SAE Socket 1-1/8"	-	3/8" Dr. Hex Bit Socket 5mm
80793	1/2" Drive 12 Point Standard SAE Socket 1-3/16"	-	3/8" Dr. Hex Bit Socket 6mm
80794	1/2" Drive 12 Point Standard SAE Socket 1-1/4"	-	3/8" Dr. Hex Bit Socket 7mm
80680	1/2" Drive 12 Point Standard SAE Socket 1-1/2"	-	3/8" Dr. Hex Bit Socket 8mm
80745	1/2" Drive 12 Point Standard Metric Socket 10mm	-	3/8" Dr. Hex Bit Socket 9mm
80746	1/2" Drive 12 Point Standard Metric Socket 11mm	-	3/8" Dr. Hex Bit Socket 10mm
80747	1/2" Drive 12 Point Standard Metric Socket 12mm	-	3/8" Nutdriver Bit
80748D	1/2" Drive 12 Point Standard Metric Socket 13mm	-	3/16" Nutdriver Bit
80749	1/2" Drive 12 Point Standard Metric Socket 14mm	-	1/4" Nutdriver Bit
80750	1/2" Drive 12 Point Standard Metric Socket 15mm	-	5/16" Nutdriver Bit
80751	1/2" Drive 12 Point Standard Metric Socket 16mm	-	11/32" Nutdriver Bit
80752	1/2" Drive 12 Point Standard Metric Socket 17mm	-	7/16" Nutdriver Bit
80753	1/2" Drive 12 Point Standard Metric Socket 18mm	-	1/2" Nutdriver Bit
80754	1/2" Drive 12 Point Standard Metric Socket 19mm	-	5mm Nutdriver Bit
80755D	1/2" Drive 12 Point Standard Metric Socket 20mm	-	6mm Nutdriver Bit
80756	1/2" Drive 12 Point Standard Metric Socket 21mm	-	7mm Nutdriver Bit
80757	1/2" Drive 12 Point Standard Metric Socket 22mm	-	8mm Nutdriver Bit
80758	1/2" Drive 12 Point Standard Metric Socket 23mm	-	9mm Nutdriver Bit
80759	1/2" Drive 12 Point Standard Metric Socket 24mm	-	10mm Nutdriver Bit
80402	3/8" Drive 6 Point 2-1/2" Spark Plug Socket 5/8"	-	11mm Nutdriver Bit
80403	3/8" Drive 6 Point 2-1/2" Spark Plug Socket 13/16"	-	
-	30 Pc. Bit Set with Box		

**239 Pc. 1/4", 3/8", and 1/2" Dr. 6 and 12 Point SAE/Metric Mechanics Tool Set**

- Full polish chrome SAE and metric 1/4", 3/8" and 1/2" standard socket and 1/4" and 3/8" deep sockets
- 45 tooth quick release full polish chrome teardrop ratchets, with flush-mounted on/off lever
- Contains 12 point full polish long pattern combination wrenches and sockets
- Combination wrenches feature a 15° offset box end for added knuckle clearance
- Sockets and wrenches feature off-corner loading design to reduce fastener rounding
- SAE and metric long arm hex keys
- Magnetic bit driver with 9 bits including Torx®, slotted and Phillips®
- Extension bars feature a knurled grip, providing a non slip surface
- 3 drawer storage box with independent sliding drawers, locking side flaps, a steel hinged lid and a durable handle
- Meets or exceeds ASME specifications



Cat. No.	Included Storage	Product Weight
80942	3 Drawer Storage Box	41.7 lb



Cat. No.	Description	Cat. No.	Description
81014	1/4" Drive 45 Tooth Quick Release Teardrop Ratchet 5-1/2"	81666	9mm 12 Point Long Pattern Combination Wrench
81218	3/8" Drive 45 Tooth Quick Release Teardrop Ratchet 7-3/4"	81667	10mm 12 Point Long Pattern Combination Wrench
81309	1/2" Drive 45 Tooth Quick Release Teardrop Ratchet 9-1/2"	81668	11mm 12 Point Long Pattern Combination Wrench
82783	1/4" Magnetic Bit Holding Screwdriver Handle	81669	12mm 12 Point Long Pattern Combination Wrench
81101	1/4" Drive Extension 2"	81670	13mm 12 Point Long Pattern Combination Wrench
81113D	1/4" Drive Extension 3"	81671	14mm 12 Point Long Pattern Combination Wrench
81116	1/4" Drive Extension 6"	81672	15mm 12 Point Long Pattern Combination Wrench
81241	3/8" Drive Extension 3"	81673	16mm 12 Point Long Pattern Combination Wrench
81242	3/8" Drive Extension 6"	81674	17mm 12 Point Long Pattern Combination Wrench
81340	1/2" Drive Extension 3"	81675	18mm 12 Point Long Pattern Combination Wrench
81341	1/2" Drive Extension 5"	81676	19mm 12 Point Long Pattern Combination Wrench
56603G	13 Piece Long Arm SAE Hex Key Set	80104D	1/4" Drive 6 Point Standard SAE Socket 5/32"
56606G	9 Piece Long Arm Metric Hex Key Set	80105	1/4" Drive 6 Point Standard SAE Socket 3/16"
81650	1/4" 12 Point Long Pattern Combination Wrench	80106	1/4" Drive 6 Point Standard SAE Socket 7/32"
81652D	5/16" 12 Point Long Pattern Combination Wrench	80107	1/4" Drive 6 Point Standard SAE Socket 1/4"
81653	11/32" 12 Point Long Pattern Combination Wrench	80108	1/4" Drive 6 Point Standard SAE Socket 9/32"
81654	3/8" 12 Point Long Pattern Combination Wrench	80109	1/4" Drive 6 Point Standard SAE Socket 5/16"
81655	7/16" 12 Point Long Pattern Combination Wrench	80110	1/4" Drive 6 Point Standard SAE Socket 11/32"
81656	1/2" 12 Point Long Pattern Combination Wrench	80111	1/4" Drive 6 Point Standard SAE Socket 3/8"
81657	9/16" 12 Point Long Pattern Combination Wrench	80112	1/4" Drive 6 Point Standard SAE Socket 7/16"
81658	5/8" 12 Point Long Pattern Combination Wrench	80113D	1/4" Drive 6 Point Standard SAE Socket 1/2"
81659	11/16" 12 Point Long Pattern Combination Wrench	80114D	1/4" Drive 6 Point Standard SAE Socket 9/16"
81660	3/4" 12 Point Long Pattern Combination Wrench	80115	1/4" Drive 6 Point Deep SAE Socket 3/16"
81736	6mm 12 Point Long Pattern Combination Wrench	80116D	1/4" Drive 6 Point Deep SAE Socket 7/32"
81737	7mm 12 Point Long Pattern Combination Wrench	80117	1/4" Drive 6 Point Deep SAE Socket 1/4"
81665	8mm 12 Point Long Pattern Combination Wrench		

■ *continued on next page*



**239 Pc. Mechanics Tool Set** ■ *continued from previous page*

Cat. No.	Description	Cat. No.	Description
80118	1/4" Drive 6 Point Deep SAE Socket 9/32"	80355	3/8" Drive 6 Point Standard SAE Socket 9/16"
80119	1/4" Drive 6 Point Deep SAE Socket 5/16"	80356	3/8" Drive 6 Point Standard SAE Socket 5/8"
80120D	1/4" Drive 6 Point Deep SAE Socket 11/32"	80357	3/8" Drive 6 Point Standard SAE Socket 11/16"
80121	1/4" Drive 6 Point Deep SAE Socket 3/8"	80358	3/8" Drive 6 Point Standard SAE Socket 3/4"
80122D	1/4" Drive 6 Point Deep SAE Socket 7/16"	80359	3/8" Drive 6 Point Standard SAE Socket 13/16"
80123	1/4" Drive 6 Point Deep SAE Socket 1/2"	80360	3/8" Drive 6 Point Standard SAE Socket 7/8"
80124	1/4" Drive 6 Point Deep SAE Socket 9/16"	80365	3/8" Drive 6 Point Deep SAE Socket 3/8"
80125	1/4" Drive 6 Point Standard Metric Socket 4mm	80366	3/8" Drive 6 Point Deep SAE Socket 7/16"
80126	1/4" Drive 6 Point Standard Metric Socket 5mm	80367	3/8" Drive 6 Point Deep SAE Socket 1/2"
80127	1/4" Drive 6 Point Standard Metric Socket 5.5mm	80368	3/8" Drive 6 Point Deep SAE Socket 9/16"
80128	1/4" Drive 6 Point Standard Metric Socket 6mm	80369	3/8" Drive 6 Point Deep SAE Socket 5/8"
80129	1/4" Drive 6 Point Standard Metric Socket 7mm	80370D	3/8" Drive 6 Point Deep SAE Socket 11/16"
80130	1/4" Drive 6 Point Standard Metric Socket 8mm	80371	3/8" Drive 6 Point Deep SAE Socket 3/4"
80131D	1/4" Drive 6 Point Standard Metric Socket 9mm	80374	3/8" Drive 6 Point Standard Metric Socket 6mm
80132	1/4" Drive 6 Point Standard Metric Socket 10mm	80375	3/8" Drive 6 Point Standard Metric Socket 7mm
80133	1/4" Drive 6 Point Standard Metric Socket 11mm	80376	3/8" Drive 6 Point Standard Metric Socket 8mm
80134	1/4" Drive 6 Point Standard Metric Socket 12mm	80377	3/8" Drive 6 Point Standard Metric Socket 9mm
80135D	1/4" Drive 6 Point Standard Metric Socket 13mm	80378	3/8" Drive 6 Point Standard Metric Socket 10mm
80136	1/4" Drive 6 Point Standard Metric Socket 14mm	80379	3/8" Drive 6 Point Standard Metric Socket 11mm
80137	1/4" Drive 6 Point Standard Metric Socket 15mm	80380	3/8" Drive 6 Point Standard Metric Socket 12mm
80138	1/4" Drive 6 Point Deep Metric Socket 4mm	80381	3/8" Drive 6 Point Standard Metric Socket 13mm
80139	1/4" Drive 6 Point Deep Metric Socket 5mm	80382	3/8" Drive 6 Point Standard Metric Socket 14mm
80141	1/4" Drive 6 Point Deep Metric Socket 6mm	80383	3/8" Drive 6 Point Standard Metric Socket 15mm
80142	1/4" Drive 6 Point Deep Metric Socket 7mm	80384	3/8" Drive 6 Point Standard Metric Socket 16mm
80143	1/4" Drive 6 Point Deep Metric Socket 8mm	80385	3/8" Drive 6 Point Standard Metric Socket 17mm
80144	1/4" Drive 6 Point Deep Metric Socket 9mm	80386	3/8" Drive 6 Point Standard Metric Socket 18mm
80145	1/4" Drive 6 Point Deep Metric Socket 10mm	80387	3/8" Drive 6 Point Standard Metric Socket 19mm
80146D	1/4" Drive 6 Point Deep Metric Socket 11mm	80330	3/8" Drive 6 Point Standard Metric Socket 20mm
80147	1/4" Drive 6 Point Deep Metric Socket 12mm	80331	3/8" Drive 6 Point Standard Metric Socket 21mm
80148	1/4" Drive 6 Point Deep Metric Socket 13mm	80332	3/8" Drive 6 Point Standard Metric Socket 22mm
80149	1/4" Drive 6 Point Deep Metric Socket 14mm	80391	3/8" Drive 6 Point Deep Metric Socket 9mm
80210	1/4" Drive 12 Point Standard SAE Socket 3/16"	80392	3/8" Drive 6 Point Deep Metric Socket 10mm
80211	1/4" Drive 12 Point Standard SAE Socket 7/32"	80393D	3/8" Drive 6 Point Deep Metric Socket 11mm
80212	1/4" Drive 12 Point Standard SAE Socket 1/4"	80394D	3/8" Drive 6 Point Deep Metric Socket 12mm
80213	1/4" Drive 12 Point Standard SAE Socket 9/32"	80395	3/8" Drive 6 Point Deep Metric Socket 13mm
80214	1/4" Drive 12 Point Standard SAE Socket 5/16"	80396	3/8" Drive 6 Point Deep Metric Socket 14mm
80215D	1/4" Drive 12 Point Standard SAE Socket 11/32"	80397	3/8" Drive 6 Point Deep Metric Socket 15mm
80216	1/4" Drive 12 Point Standard SAE Socket 3/8"	80398	3/8" Drive 6 Point Deep Metric Socket 16mm
80217	1/4" Drive 12 Point Standard SAE Socket 7/16"	80399	3/8" Drive 6 Point Deep Metric Socket 17mm
80218	1/4" Drive 12 Point Standard SAE Socket 1/2"	80400	3/8" Drive 6 Point Deep Metric Socket 18mm
80219	1/4" Drive 12 Point Standard SAE Socket 9/16"	80401	3/8" Drive 6 Point Deep Metric Socket 19mm
80350	3/8" Drive 6 Point Standard SAE Socket 1/4"	80496	3/8" Drive 12 Point Standard SAE Socket 1/4"
80351	3/8" Drive 6 Point Standard SAE Socket 5/16"	80497D	3/8" Drive 12 Point Standard SAE Socket 5/16"
80352	3/8" Drive 6 Point Standard SAE Socket 3/8"	80498	3/8" Drive 12 Point Standard SAE Socket 3/8"
80353	3/8" Drive 6 Point Standard SAE Socket 7/16"	80499	3/8" Drive 12 Point Standard SAE Socket 7/16"
80354	3/8" Drive 6 Point Standard SAE Socket 1/2"	80500D	3/8" Drive 12 Point Standard SAE Socket 1/2"

Cat. No.	Description	Cat. No.	Description
80501	3/8" Drive 12 Point Standard SAE Socket 9/16"	80750	1/2" Drive 12 Point Standard Metric Socket 15mm
80502	3/8" Drive 12 Point Standard SAE Socket 5/8"	80751	1/2" Drive 12 Point Standard Metric Socket 16mm
80503	3/8" Drive 12 Point Standard SAE Socket 11/16"	80752	1/2" Drive 12 Point Standard Metric Socket 17mm
80504	3/8" Drive 12 Point Standard SAE Socket 3/4"	80753	1/2" Drive 12 Point Standard Metric Socket 18mm
80505	3/8" Drive 12 Point Standard SAE Socket 13/16"	80754	1/2" Drive 12 Point Standard Metric Socket 19mm
80506D	3/8" Drive 12 Point Standard SAE Socket 7/8"	80755D	1/2" Drive 12 Point Standard Metric Socket 20mm
80482	3/8" Drive 12 Point Standard Metric Socket 6mm	80756	1/2" Drive 12 Point Standard Metric Socket 21mm
80483	3/8" Drive 12 Point Standard Metric Socket 7mm	80757	1/2" Drive 12 Point Standard Metric Socket 22mm
80484	3/8" Drive 12 Point Standard Metric Socket 8mm	80758	1/2" Drive 12 Point Standard Metric Socket 23mm
80485	3/8" Drive 12 Point Standard Metric Socket 9mm	80759	1/2" Drive 12 Point Standard Metric Socket 24mm
80486	3/8" Drive 12 Point Standard Metric Socket 10mm	80811	1/2" Drive 12 Point Standard Metric Socket 25mm
80487	3/8" Drive 12 Point Standard Metric Socket 11mm	80681	1/2" Drive 12 Point Standard Metric Socket 26mm
80488	3/8" Drive 12 Point Standard Metric Socket 12mm	80812	1/2" Drive 12 Point Standard Metric Socket 27mm
80489	3/8" Drive 12 Point Standard Metric Socket 13mm	80402	3/8" Drive 6 Point 2-1/2" Spark Plug Socket 5/8"
80490	3/8" Drive 12 Point Standard Metric Socket 14mm	80403	3/8" Drive 6 Point 2-1/2" Spark Plug Socket 13/16"
80491	3/8" Drive 12 Point Standard Metric Socket 15mm	-	#1 Phillips® Bit
80492	3/8" Drive 12 Point Standard Metric Socket 16mm	-	#2 Phillips® Bit
80493	3/8" Drive 12 Point Standard Metric Socket 17mm	-	#3 Phillips® Bit
80494	3/8" Drive 12 Point Standard Metric Socket 18mm	-	4mm Slotted Bit
80495	3/8" Drive 12 Point Standard Metric Socket 19mm	-	5mm Slotted Bit
80596	3/8" Drive 12 Point Standard Metric Socket 20mm	-	6mm Slotted Bit
80597	3/8" Drive 12 Point Standard Metric Socket 21mm	-	T40 Torx® Bit
80598	3/8" Drive 12 Point Standard Metric Socket 22mm	-	T45 Torx® Bit
80760	1/2" Drive 12 Point Standard SAE Socket 7/16"	-	T50 Torx® Bit
80761	1/2" Drive 12 Point Standard SAE Socket 1/2"	-	3/16" Nutdriver Bit
80762	1/2" Drive 12 Point Standard SAE Socket 9/16"	-	1/4" Nutdriver Bit
80763	1/2" Drive 12 Point Standard SAE Socket 5/8"	-	5/16" Nutdriver Bit
80764	1/2" Drive 12 Point Standard SAE Socket 11/16"	-	11/32" Nutdriver Bit
80765	1/2" Drive 12 Point Standard SAE Socket 3/4"	-	3/8" Nutdriver Bit
80766	1/2" Drive 12 Point Standard SAE Socket 13/16"	-	7/16" Nutdriver Bit
80767	1/2" Drive 12 Point Standard SAE Socket 7/8"	-	1/2" Nutdriver Bit
80768	1/2" Drive 12 Point Standard SAE Socket 15/16"	-	5mm Nutdriver Bit
80769	1/2" Drive 12 Point Standard SAE Socket 1"	-	6mm Nutdriver Bit
80770	1/2" Drive 12 Point Standard SAE Socket 1-1/16"	-	7mm Nutdriver Bit
80771	1/2" Drive 12 Point Standard SAE Socket 1-1/8"	-	8mm Nutdriver Bit
80793	1/2" Drive 12 Point Standard SAE Socket 1-3/16"	-	9mm Nutdriver Bit
80794	1/2" Drive 12 Point Standard SAE Socket 1-1/4"	-	10mm Nutdriver Bit
80680	1/2" Drive 12 Point Standard SAE Socket 1-1/2"	-	11mm Nutdriver Bit

## 219 Pc. 1/4", 3/8", and 1/2" Drive 6 and 12 Point SAE/Metric Mechanics Tool Set

- Full polish chrome 1/4", 3/8" and 1/2" standard sockets, and 1/4" and 3/8" deep sockets
- 45 tooth quick release full polish chrome teardrop ratchets, with flush-mounted on/off lever
- Contains 12 point full polish long pattern combination wrenches and sockets
- Combination wrenches feature a 15° offset box end for added knuckle clearance
- Sockets and wrenches feature off-corner loading design to reduce fastener rounding
- SAE and metric long arm hex keys
- Magnetic bit driver with ergonomic dual material handle
- Extension bars feature a knurled grip, providing a non slip surface
- 3 drawer storage box with independent sliding drawers, locking side flaps, a steel hinged lid and a durable handle
- Meets or exceeds ASME specifications



Cat. No.	Included Storage	Product Weight
80940	3 Drawer Storage Box	36.825 lb



Cat. No.	Description	Cat. No.	Description
81014	1/4" Drive 45 Tooth Quick Release Teardrop Ratchet 5-1/2"	81668	11mm 12 Point Long Pattern Combination Wrench
81218	3/8" Drive 45 Tooth Quick Release Teardrop Ratchet 7-3/4"	81669	12mm 12 Point Long Pattern Combination Wrench
81309	1/2" Drive 45 Tooth Quick Release Teardrop Ratchet 9-1/2"	81670	13mm 12 Point Long Pattern Combination Wrench
82783	1/4" Magnetic Bit Holding Screwdriver Handle	81671	14mm 12 Point Long Pattern Combination Wrench
56603G	13 Piece Long Arm SAE Hex Key Set	81672	15mm 12 Point Long Pattern Combination Wrench
56606G	9 Piece Long Arm Metric Hex Key Set	81673	16mm 12 Point Long Pattern Combination Wrench
81113D	1/4" Drive Extension 3"	81674	17mm 12 Point Long Pattern Combination Wrench
81241	3/8" Drive Extension 3"	80104D	1/4" Drive 6 Point Standard SAE Socket 5/32"
81242	3/8" Drive Extension 6"	80105	1/4" Drive 6 Point Standard SAE Socket 3/16"
81340	1/2" Drive Extension 3"	80106	1/4" Drive 6 Point Standard SAE Socket 7/32"
81341	1/2" Drive Extension 5"	80107	1/4" Drive 6 Point Standard SAE Socket 1/4"
81650	1/4" 12 Point Long Pattern Combination Wrench	80108	1/4" Drive 6 Point Standard SAE Socket 9/32"
81652D	5/16" 12 Point Long Pattern Combination Wrench	80109	1/4" Drive 6 Point Standard SAE Socket 5/16"
81653	11/32" 12 Point Long Pattern Combination Wrench	80110	1/4" Drive 6 Point Standard SAE Socket 11/32"
81654	3/8" 12 Point Long Pattern Combination Wrench	80111	1/4" Drive 6 Point Standard SAE Socket 3/8"
81655	7/16" 12 Point Long Pattern Combination Wrench	80112	1/4" Drive 6 Point Standard SAE Socket 7/16"
81656	1/2" 12 Point Long Pattern Combination Wrench	80113D	1/4" Drive 6 Point Standard SAE Socket 1/2"
81657	9/16" 12 Point Long Pattern Combination Wrench	80114D	1/4" Drive 6 Point Standard SAE Socket 9/16"
81658	5/8" 12 Point Long Pattern Combination Wrench	80115	1/4" Drive 6 Point Deep SAE Socket 3/16"
81659	11/16" 12 Point Long Pattern Combination Wrench	80116D	1/4" Drive 6 Point Deep SAE Socket 7/32"
81660	3/4" 12 Point Long Pattern Combination Wrench	80117	1/4" Drive 6 Point Deep SAE Socket 1/4"
81736	6mm 12 Point Long Pattern Combination Wrench	80118	1/4" Drive 6 Point Deep SAE Socket 9/32"
81737	7mm 12 Point Long Pattern Combination Wrench	80119	1/4" Drive 6 Point Deep SAE Socket 5/16"
81665	8mm 12 Point Long Pattern Combination Wrench	80120D	1/4" Drive 6 Point Deep SAE Socket 11/32"
81666	9mm 12 Point Long Pattern Combination Wrench	80121	1/4" Drive 6 Point Deep SAE Socket 3/8"
81667	10mm 12 Point Long Pattern Combination Wrench	80122D	1/4" Drive 6 Point Deep SAE Socket 7/16"

Cat. No.	Description	Cat. No.	Description
80123	1/4" Drive 6 Point Deep SAE Socket 1/2"	80379	3/8" Drive 6 Point Standard Metric Socket 11mm
80124	1/4" Drive 6 Point Deep SAE Socket 9/16"	80380	3/8" Drive 6 Point Standard Metric Socket 12mm
80125	1/4" Drive 6 Point Standard Metric Socket 4mm	80381	3/8" Drive 6 Point Standard Metric Socket 13mm
80126	1/4" Drive 6 Point Standard Metric Socket 5mm	80382	3/8" Drive 6 Point Standard Metric Socket 14mm
80128	1/4" Drive 6 Point Standard Metric Socket 6mm	80383	3/8" Drive 6 Point Standard Metric Socket 15mm
80129	1/4" Drive 6 Point Standard Metric Socket 7mm	80384	3/8" Drive 6 Point Standard Metric Socket 16mm
80130	1/4" Drive 6 Point Standard Metric Socket 8mm	80385	3/8" Drive 6 Point Standard Metric Socket 17mm
80131D	1/4" Drive 6 Point Standard Metric Socket 9mm	80386	3/8" Drive 6 Point Standard Metric Socket 18mm
80132	1/4" Drive 6 Point Standard Metric Socket 10mm	80387	3/8" Drive 6 Point Standard Metric Socket 19mm
80133	1/4" Drive 6 Point Standard Metric Socket 11mm	80330	3/8" Drive 6 Point Standard Metric Socket 20mm
80134	1/4" Drive 6 Point Standard Metric Socket 12mm	80331	3/8" Drive 6 Point Standard Metric Socket 21mm
80135D	1/4" Drive 6 Point Standard Metric Socket 13mm	80332	3/8" Drive 6 Point Standard Metric Socket 22mm
80138	1/4" Drive 6 Point Deep Metric Socket 4mm	80391	3/8" Drive 6 Point Deep Metric Socket 9mm
80139	1/4" Drive 6 Point Deep Metric Socket 5mm	80392	3/8" Drive 6 Point Deep Metric Socket 10mm
80141	1/4" Drive 6 Point Deep Metric Socket 6mm	80393D	3/8" Drive 6 Point Deep Metric Socket 11mm
80142	1/4" Drive 6 Point Deep Metric Socket 7mm	80394D	3/8" Drive 6 Point Deep Metric Socket 12mm
80143	1/4" Drive 6 Point Deep Metric Socket 8mm	80395	3/8" Drive 6 Point Deep Metric Socket 13mm
80144	1/4" Drive 6 Point Deep Metric Socket 9mm	80396	3/8" Drive 6 Point Deep Metric Socket 14mm
80145	1/4" Drive 6 Point Deep Metric Socket 10mm	80397	3/8" Drive 6 Point Deep Metric Socket 15mm
80146D	1/4" Drive 6 Point Deep Metric Socket 11mm	80398	3/8" Drive 6 Point Deep Metric Socket 16mm
80147	1/4" Drive 6 Point Deep Metric Socket 12mm	80399	3/8" Drive 6 Point Deep Metric Socket 17mm
80148	1/4" Drive 6 Point Deep Metric Socket 13mm	80400	3/8" Drive 6 Point Deep Metric Socket 18mm
80149	1/4" Drive 6 Point Deep Metric Socket 14mm	80401	3/8" Drive 6 Point Deep Metric Socket 19mm
80350	3/8" Drive 6 Point Standard SAE Socket 1/4"	80484	3/8" Drive 12 Point Standard Metric Socket 8mm
80351	3/8" Drive 6 Point Standard SAE Socket 5/16"	80485	3/8" Drive 12 Point Standard Metric Socket 9mm
80352	3/8" Drive 6 Point Standard SAE Socket 3/8"	80486	3/8" Drive 12 Point Standard Metric Socket 10mm
80353	3/8" Drive 6 Point Standard SAE Socket 7/16"	80487	3/8" Drive 12 Point Standard Metric Socket 11mm
80354	3/8" Drive 6 Point Standard SAE Socket 1/2"	80488	3/8" Drive 12 Point Standard Metric Socket 12mm
80355	3/8" Drive 6 Point Standard SAE Socket 9/16"	80489	3/8" Drive 12 Point Standard Metric Socket 13mm
80356	3/8" Drive 6 Point Standard SAE Socket 5/8"	80490	3/8" Drive 12 Point Standard Metric Socket 14mm
80357	3/8" Drive 6 Point Standard SAE Socket 11/16"	80491	3/8" Drive 12 Point Standard Metric Socket 15mm
80358	3/8" Drive 6 Point Standard SAE Socket 3/4"	80492	3/8" Drive 12 Point Standard Metric Socket 16mm
80359	3/8" Drive 6 Point Standard SAE Socket 13/16"	80493	3/8" Drive 12 Point Standard Metric Socket 17mm
80360	3/8" Drive 6 Point Standard SAE Socket 7/8"	80494	3/8" Drive 12 Point Standard Metric Socket 18mm
80365	3/8" Drive 6 Point Deep SAE Socket 3/8"	80495	3/8" Drive 12 Point Standard Metric Socket 19mm
80366	3/8" Drive 6 Point Deep SAE Socket 7/16"	80760	1/2" Drive 12 Point Standard SAE Socket 7/16"
80367	3/8" Drive 6 Point Deep SAE Socket 1/2"	80761	1/2" Drive 12 Point Standard SAE Socket 1/2"
80368	3/8" Drive 6 Point Deep SAE Socket 9/16"	80762	1/2" Drive 12 Point Standard SAE Socket 9/16"
80369	3/8" Drive 6 Point Deep SAE Socket 5/8"	80763	1/2" Drive 12 Point Standard SAE Socket 5/8"
80370D	3/8" Drive 6 Point Deep SAE Socket 11/16"	80764	1/2" Drive 12 Point Standard SAE Socket 11/16"
80371	3/8" Drive 6 Point Deep SAE Socket 3/4"	80765	1/2" Drive 12 Point Standard SAE Socket 3/4"
80374	3/8" Drive 6 Point Standard Metric Socket 6mm	80766	1/2" Drive 12 Point Standard SAE Socket 13/16"
80375	3/8" Drive 6 Point Standard Metric Socket 7mm	80767	1/2" Drive 12 Point Standard SAE Socket 7/8"
80376	3/8" Drive 6 Point Standard Metric Socket 8mm	80768	1/2" Drive 12 Point Standard SAE Socket 15/16"
80377	3/8" Drive 6 Point Standard Metric Socket 9mm	80769	1/2" Drive 12 Point Standard SAE Socket 1"
80378	3/8" Drive 6 Point Standard Metric Socket 10mm	80750	1/2" Drive 12 Point Standard Metric Socket 15mm

■ continued on next page



**219 Pc. Mechanics Tool Set** ■ *continued from previous page*

Cat. No.	Description	Cat. No.	Description
80751	1/2" Drive 12 Point Standard Metric Socket 16mm	-	11/32" Nutdriver Bit
80752	1/2" Drive 12 Point Standard Metric Socket 17mm	-	5/16" Nutdriver Bit
80753	1/2" Drive 12 Point Standard Metric Socket 18mm	-	3/8" Nutdriver Bit
80754	1/2" Drive 12 Point Standard Metric Socket 19mm	-	7/16" Nutdriver Bit
80755D	1/2" Drive 12 Point Standard Metric Socket 20mm	-	1/2" Nutdriver Bit
80756	1/2" Drive 12 Point Standard Metric Socket 21mm	-	5mm Nutdriver Bit
80757	1/2" Drive 12 Point Standard Metric Socket 22mm	-	6mm Nutdriver Bit
80758	1/2" Drive 12 Point Standard Metric Socket 23mm	-	7mm Nutdriver Bit
80759	1/2" Drive 12 Point Standard Metric Socket 24mm	-	8mm Nutdriver Bit
80811	1/2" Drive 12 Point Standard Metric Socket 25mm	-	9mm Nutdriver Bit
80402	3/8" Drive 6 Point 2-1/2" Spark Plug Socket 5/8"	-	10mm Nutdriver Bit
-	30 Pc. Bit Set with Box	-	11mm Nutdriver Bit
-	3/16" Nutdriver Bit		
-	1/4" Nutdriver Bit		

**216 Pc. 1/4", 3/8", and 1/2" Drive 6 and 12 Point SAE/Metric Mechanics Tool Set**

- Full polish chrome 1/4", 3/8" and 1/2" standard sockets, and 1/4" and 3/8" deep sockets
- 45 tooth quick release full polish chrome teardrop ratchets, with flush-mounted on/off lever
- Contains 12 point full polish long pattern combination wrenches and sockets
- Sockets feature off-corner loading design to reduce fastener rounding
- Includes long arm hex keys
- Magnetic bit driver with ergonomic dual material handle
- Extension bars feature a knurled grip, providing a non slip surface
- Includes blow mold case for storage and organization
- Meets or exceeds ASME specifications



Cat. No.	Included Storage	Product Weight
80933	Blow Mold Case	15.00 lb

Catalog No.	Description	Catalog No.	Description
81014	1/4" Drive 45 Tooth Quick Release Teardrop Ratchet 5-1/2"	81241	3/8" Drive Extension 3"
81218	3/8" Drive 45 Tooth Quick Release Teardrop Ratchet 7-3/4"	81242	3/8" Drive Extension 6"
81309	1/2" Drive 45 Tooth Quick Release Teardrop Ratchet 9-1/2"	81340	1/2" Drive Extension 3"
81128	1/4" Drive Spinner Handle 7-3/4"	56603G	13 Piece Long Arm SAE Hex Key Set
80480	1/4" Bit Adapter 1/4" Drive	56606G	9 Piece Long Arm Metric Hex Key Set
81113D	1/4" Drive Extension 3"	81650	1/4" 12 Point Long Pattern Combination Wrench

Catalog No.	Description	Catalog No.	Description
81652D	5/16" 12 Point Long Pattern Combination Wrench	80132	1/4" Drive 6 Point Standard Metric Socket 10mm
81653	11/32" 12 Point Long Pattern Combination Wrench	80133	1/4" Drive 6 Point Standard Metric Socket 11mm
81654	3/8" 12 Point Long Pattern Combination Wrench	80134	1/4" Drive 6 Point Standard Metric Socket 12mm
81655	7/16" 12 Point Long Pattern Combination Wrench	80135D	1/4" Drive 6 Point Standard Metric Socket 13mm
81656	1/2" 12 Point Long Pattern Combination Wrench	80136	1/4" Drive 6 Point Standard Metric Socket 14mm
81657	9/16" 12 Point Long Pattern Combination Wrench	80137	1/4" Drive 6 Point Standard Metric Socket 15mm
81658	5/8" 12 Point Long Pattern Combination Wrench	80138	1/4" Drive 6 Point Deep Metric Socket 4mm
81659	11/16" 12 Point Long Pattern Combination Wrench	80139	1/4" Drive 6 Point Deep Metric Socket 5mm
81660	3/4" 12 Point Long Pattern Combination Wrench	80141	1/4" Drive 6 Point Deep Metric Socket 6mm
81737	7mm 12 Point Long Pattern Combination Wrench	80142	1/4" Drive 6 Point Deep Metric Socket 7mm
81665	8mm 12 Point Long Pattern Combination Wrench	80143	1/4" Drive 6 Point Deep Metric Socket 8mm
81666	9mm 12 Point Long Pattern Combination Wrench	80144	1/4" Drive 6 Point Deep Metric Socket 9mm
81667	10mm 12 Point Long Pattern Combination Wrench	80145	1/4" Drive 6 Point Deep Metric Socket 10mm
81668	11mm 12 Point Long Pattern Combination Wrench	80146D	1/4" Drive 6 Point Deep Metric Socket 11mm
81669	12mm 12 Point Long Pattern Combination Wrench	80147	1/4" Drive 6 Point Deep Metric Socket 12mm
81670	13mm 12 Point Long Pattern Combination Wrench	80148	1/4" Drive 6 Point Deep Metric Socket 13mm
81671	14mm 12 Point Long Pattern Combination Wrench	80149	1/4" Drive 6 Point Deep Metric Socket 14mm
81672	15mm 12 Point Long Pattern Combination Wrench	80350	3/8" Drive 6 Point Standard SAE Socket 1/4"
80104D	1/4" Drive 6 Point Standard SAE Socket 5/32"	80330	3/8" Drive 6 Point Standard Metric Socket 20mm
80105	1/4" Drive 6 Point Standard SAE Socket 3/16"	80351	3/8" Drive 6 Point Standard SAE Socket 5/16"
80106	1/4" Drive 6 Point Standard SAE Socket 7/32"	80352	3/8" Drive 6 Point Standard SAE Socket 3/8"
80107	1/4" Drive 6 Point Standard SAE Socket 1/4"	80353	3/8" Drive 6 Point Standard SAE Socket 7/16"
80108	1/4" Drive 6 Point Standard SAE Socket 9/32"	80354	3/8" Drive 6 Point Standard SAE Socket 1/2"
80109	1/4" Drive 6 Point Standard SAE Socket 5/16"	80355	3/8" Drive 6 Point Standard SAE Socket 9/16"
80110	1/4" Drive 6 Point Standard SAE Socket 11/32"	80356	3/8" Drive 6 Point Standard SAE Socket 5/8"
80111	1/4" Drive 6 Point Standard SAE Socket 3/8"	80357	3/8" Drive 6 Point Standard SAE Socket 11/16"
80112	1/4" Drive 6 Point Standard SAE Socket 7/16"	80358	3/8" Drive 6 Point Standard SAE Socket 3/4"
80113D	1/4" Drive 6 Point Standard SAE Socket 1/2"	80359	3/8" Drive 6 Point Standard SAE Socket 13/16"
80114D	1/4" Drive 6 Point Standard SAE Socket 9/16"	80360	3/8" Drive 6 Point Standard SAE Socket 7/8"
80115	1/4" Drive 6 Point Deep SAE Socket 3/16"	80365	3/8" Drive 6 Point Deep SAE Socket 3/8"
80116D	1/4" Drive 6 Point Deep SAE Socket 7/32"	80366	3/8" Drive 6 Point Deep SAE Socket 7/16"
80117	1/4" Drive 6 Point Deep SAE Socket 1/4"	80367	3/8" Drive 6 Point Deep SAE Socket 1/2"
80118	1/4" Drive 6 Point Deep SAE Socket 9/32"	80368	3/8" Drive 6 Point Deep SAE Socket 9/16"
80119	1/4" Drive 6 Point Deep SAE Socket 5/16"	80369	3/8" Drive 6 Point Deep SAE Socket 5/8"
80120D	1/4" Drive 6 Point Deep SAE Socket 11/32"	80370D	3/8" Drive 6 Point Deep SAE Socket 11/16"
80121	1/4" Drive 6 Point Deep SAE Socket 3/8"	80371	3/8" Drive 6 Point Deep SAE Socket 3/4"
80122D	1/4" Drive 6 Point Deep SAE Socket 7/16"	80377	3/8" Drive 6 Point Standard Metric Socket 9mm
80123	1/4" Drive 6 Point Deep SAE Socket 1/2"	80378	3/8" Drive 6 Point Standard Metric Socket 10mm
80124	1/4" Drive 6 Point Deep SAE Socket 9/16"	80379	3/8" Drive 6 Point Standard Metric Socket 11mm
80125	1/4" Drive 6 Point Standard Metric Socket 4mm	80380	3/8" Drive 6 Point Standard Metric Socket 12mm
80126	1/4" Drive 6 Point Standard Metric Socket 5mm	80381	3/8" Drive 6 Point Standard Metric Socket 13mm
80127	1/4" Drive 6 Point Standard Metric Socket 5.5mm	80382	3/8" Drive 6 Point Standard Metric Socket 14mm
80128	1/4" Drive 6 Point Standard Metric Socket 6mm	80383	3/8" Drive 6 Point Standard Metric Socket 15mm
80129	1/4" Drive 6 Point Standard Metric Socket 7mm	80384	3/8" Drive 6 Point Standard Metric Socket 16mm
80130	1/4" Drive 6 Point Standard Metric Socket 8mm	80385	3/8" Drive 6 Point Standard Metric Socket 17mm
80131D	1/4" Drive 6 Point Standard Metric Socket 9mm	80386	3/8" Drive 6 Point Standard Metric Socket 18mm

■ *continued on next page*

**216 Pc. Mechanics Tool Set** ■ *continued from previous page*

Catalog No.	Description	Catalog No.	Description
80387	3/8" Drive 6 Point Standard Metric Socket 19mm	80767	1/2" Drive 12 Point Standard SAE Socket 7/8"
80331	3/8" Drive 6 Point Standard Metric Socket 21mm	80768	1/2" Drive 12 Point Standard SAE Socket 15/16"
80332	3/8" Drive 6 Point Standard Metric Socket 22mm	80769	1/2" Drive 12 Point Standard SAE Socket 1"
80391	3/8" Drive 6 Point Deep Metric Socket 9mm	80770	1/2" Drive 12 Point Standard SAE Socket 1-1/16"
80392	3/8" Drive 6 Point Deep Metric Socket 10mm	80771	1/2" Drive 12 Point Standard SAE Socket 1-1/8"
80393D	3/8" Drive 6 Point Deep Metric Socket 11mm	80793	1/2" Drive 12 Point Standard SAE Socket 1-3/16"
80394D	3/8" Drive 6 Point Deep Metric Socket 12mm	80794	1/2" Drive 12 Point Standard SAE Socket 1-1/4"
80395	3/8" Drive 6 Point Deep Metric Socket 13mm	80680	1/2" Drive 12 Point Standard SAE Socket 1-1/2"
80396	3/8" Drive 6 Point Deep Metric Socket 14mm	80750	1/2" Drive 12 Point Standard Metric Socket 15mm
80397	3/8" Drive 6 Point Deep Metric Socket 15mm	80751	1/2" Drive 12 Point Standard Metric Socket 16mm
80398	3/8" Drive 6 Point Deep Metric Socket 16mm	80752	1/2" Drive 12 Point Standard Metric Socket 17mm
80399	3/8" Drive 6 Point Deep Metric Socket 17mm	80753	1/2" Drive 12 Point Standard Metric Socket 18mm
80400	3/8" Drive 6 Point Deep Metric Socket 18mm	80754	1/2" Drive 12 Point Standard Metric Socket 19mm
80401	3/8" Drive 6 Point Deep Metric Socket 19mm	80756	1/2" Drive 12 Point Standard Metric Socket 21mm
80496	3/8" Drive 12 Point Standard SAE Socket 1/4"	80757	1/2" Drive 12 Point Standard Metric Socket 22mm
80497D	3/8" Drive 12 Point Standard SAE Socket 5/16"	80759	1/2" Drive 12 Point Standard Metric Socket 24mm
80498	3/8" Drive 12 Point Standard SAE Socket 3/8"	80811	1/2" Drive 12 Point Standard Metric Socket 25mm
80499	3/8" Drive 12 Point Standard SAE Socket 7/16"	80812	1/2" Drive 12 Point Standard Metric Socket 27mm
80500D	3/8" Drive 12 Point Standard SAE Socket 1/2"	80682	1/2" Drive 12 Point Standard Metric Socket 28mm
80501	3/8" Drive 12 Point Standard SAE Socket 9/16"	80813	1/2" Drive 12 Point Standard Metric Socket 30mm
80502	3/8" Drive 12 Point Standard SAE Socket 5/8"	80814D	1/2" Drive 12 Point Standard Metric Socket 32mm
80503	3/8" Drive 12 Point Standard SAE Socket 11/16"	80402	3/8" Drive 6 Point 2-1/2" Spark Plug Socket 5/8"
80504	3/8" Drive 12 Point Standard SAE Socket 3/4"	80403	3/8" Drive 6 Point 2-1/2" Spark Plug Socket 13/16"
80505	3/8" Drive 12 Point Standard SAE Socket 13/16"	-	#1 Phillips® Bit
80506D	3/8" Drive 12 Point Standard SAE Socket 7/8"	-	#2 Phillips® Bit
80485	3/8" Drive 12 Point Standard Metric Socket 9mm	-	#3 Phillips® Bit
80486	3/8" Drive 12 Point Standard Metric Socket 10mm	-	4mm Slotted Bit
80487	3/8" Drive 12 Point Standard Metric Socket 11mm	-	5mm Slotted Bit
80488	3/8" Drive 12 Point Standard Metric Socket 12mm	-	6mm Slotted Bit
80489	3/8" Drive 12 Point Standard Metric Socket 13mm	-	T40 Torx® Bit
80490	3/8" Drive 12 Point Standard Metric Socket 14mm	-	T45 Torx® Bit
80491	3/8" Drive 12 Point Standard Metric Socket 15mm	-	T50 Torx® Bit
80492	3/8" Drive 12 Point Standard Metric Socket 16mm	-	3/16" Nutdriver Bit
80493	3/8" Drive 12 Point Standard Metric Socket 17mm	-	1/4" Nutdriver Bit
80494	3/8" Drive 12 Point Standard Metric Socket 18mm	-	5/16" Nutdriver Bit
80495	3/8" Drive 12 Point Standard Metric Socket 19mm	-	11/32" Nutdriver Bit
80596	3/8" Drive 12 Point Standard Metric Socket 20mm	-	3/8" Nutdriver Bit
80597	3/8" Drive 12 Point Standard Metric Socket 21mm	-	7/16" Nutdriver Bit
80598	3/8" Drive 12 Point Standard Metric Socket 22mm	-	1/2" Nutdriver Bit
80760	1/2" Drive 12 Point Standard SAE Socket 7/16"	-	5mm Nutdriver Bit
80761	1/2" Drive 12 Point Standard SAE Socket 1/2"	-	6mm Nutdriver Bit
80762	1/2" Drive 12 Point Standard SAE Socket 9/16"	-	7mm Nutdriver Bit
80763	1/2" Drive 12 Point Standard SAE Socket 5/8"	-	8mm Nutdriver Bit
80764	1/2" Drive 12 Point Standard SAE Socket 11/16"	-	11mm Nutdriver Bit
80765	1/2" Drive 12 Point Standard SAE Socket 3/4"	-	9mm Nutdriver Bit
80766	1/2" Drive 12 Point Standard SAE Socket 13/16"	-	10mm Nutdriver Bit

**165 Pc. 1/4", 3/8", and 1/2" Drive 6 Point SAE/Metric Mechanics Tool Set**

- Full polish chrome 1/4", 3/8" and 1/2" standard sockets, and 1/4" and 3/8" deep sockets
- 45 tooth quick release full polish chrome teardrop ratchets, with flush-mounted on/off lever
- Contains 12 point full polish long pattern combination wrenches and sockets
- Sockets feature off-corner loading design to reduce fastener rounding
- Includes long arm hex keys
- Magnetic bit driver with ergonomic dual material handle
- Extension bars feature a knurled grip, providing a non slip surface
- Includes blow mold case for storage and organization
- Meets or exceeds ASME specifications



Cat. No.	Included Storage	Product Weight
80932	Blow Mold Case	23.54 lb



Catalog No.	Description	Catalog No.	Description
81014	1/4" Drive 45 Tooth Quick Release Teardrop Ratchet 5-1/2"	80110	1/4" Drive 6 Point Standard SAE Socket 11/32"
81218	3/8" Drive 45 Tooth Quick Release Teardrop Ratchet 7-3/4"	80111	1/4" Drive 6 Point Standard SAE Socket 3/8"
81309	1/2" Drive 45 Tooth Quick Release Teardrop Ratchet 9-1/2"	80112	1/4" Drive 6 Point Standard SAE Socket 7/16"
81128	1/4" Drive Spinner Handle 7-3/4"	80113D	1/4" Drive 6 Point Standard SAE Socket 1/2"
80480	1/4" Bit Adapter 1/4" Drive	80114D	1/4" Drive 6 Point Standard SAE Socket 9/16"
81113D	1/4" Drive Extension 3"	80115	1/4" Drive 6 Point Deep SAE Socket 3/16"
81241	3/8" Drive Extension 3"	80116D	1/4" Drive 6 Point Deep SAE Socket 7/32"
81242	3/8" Drive Extension 6"	80117	1/4" Drive 6 Point Deep SAE Socket 1/4"
81340	1/2" Drive Extension 3"	80118	1/4" Drive 6 Point Deep SAE Socket 9/32"
56603G	13 Piece Long Arm SAE Hex Key Set	80119	1/4" Drive 6 Point Deep SAE Socket 5/16"
81652D	5/16" 12 Point Long Pattern Combination Wrench	80120D	1/4" Drive 6 Point Deep SAE Socket 11/32"
81654	3/8" 12 Point Long Pattern Combination Wrench	80121	1/4" Drive 6 Point Deep SAE Socket 3/8"
81655	7/16" 12 Point Long Pattern Combination Wrench	80122D	1/4" Drive 6 Point Deep SAE Socket 7/16"
81656	1/2" 12 Point Long Pattern Combination Wrench	80123	1/4" Drive 6 Point Deep SAE Socket 1/2"
81657	9/16" 12 Point Long Pattern Combination Wrench	80124	1/4" Drive 6 Point Deep SAE Socket 9/16"
81660	3/4" 12 Point Long Pattern Combination Wrench	80125	1/4" Drive 6 Point Standard Metric Socket 4mm
81666	9mm 12 Point Long Pattern Combination Wrench	80126	1/4" Drive 6 Point Standard Metric Socket 5mm
81667	10mm 12 Point Long Pattern Combination Wrench	80127	1/4" Drive 6 Point Standard Metric Socket 5.5mm
81669	12mm 12 Point Long Pattern Combination Wrench	80128	1/4" Drive 6 Point Standard Metric Socket 6mm
81670	13mm 12 Point Long Pattern Combination Wrench	80129	1/4" Drive 6 Point Standard Metric Socket 7mm
81671	14mm 12 Point Long Pattern Combination Wrench	80130	1/4" Drive 6 Point Standard Metric Socket 8mm
81672	15mm 12 Point Long Pattern Combination Wrench	80131D	1/4" Drive 6 Point Standard Metric Socket 9mm
80104D	1/4" Drive 6 Point Standard SAE Socket 5/32"	80132	1/4" Drive 6 Point Standard Metric Socket 10mm
80105	1/4" Drive 6 Point Standard SAE Socket 3/16"	80133	1/4" Drive 6 Point Standard Metric Socket 11mm
80106	1/4" Drive 6 Point Standard SAE Socket 7/32"	80134	1/4" Drive 6 Point Standard Metric Socket 12mm
80107	1/4" Drive 6 Point Standard SAE Socket 1/4"	80135D	1/4" Drive 6 Point Standard Metric Socket 13mm
80108	1/4" Drive 6 Point Standard SAE Socket 9/32"	80136	1/4" Drive 6 Point Standard Metric Socket 14mm
80109	1/4" Drive 6 Point Standard SAE Socket 5/16"	80137	1/4" Drive 6 Point Standard Metric Socket 15mm

■ *continued on next page*



**165 Pc. Mechanics Tool Set** ■ *continued from previous page*

Catalog No.	Description	Catalog No.	Description
80138	1/4" Drive 6 Point Deep Metric Socket 4mm	80396	3/8" Drive 6 Point Deep Metric Socket 14mm
80139	1/4" Drive 6 Point Deep Metric Socket 5mm	80397	3/8" Drive 6 Point Deep Metric Socket 15mm
80141	1/4" Drive 6 Point Deep Metric Socket 6mm	80398	3/8" Drive 6 Point Deep Metric Socket 16mm
80142	1/4" Drive 6 Point Deep Metric Socket 7mm	80399	3/8" Drive 6 Point Deep Metric Socket 17mm
80143	1/4" Drive 6 Point Deep Metric Socket 8mm	80400	3/8" Drive 6 Point Deep Metric Socket 18mm
80144	1/4" Drive 6 Point Deep Metric Socket 9mm	80401	3/8" Drive 6 Point Deep Metric Socket 19mm
80145	1/4" Drive 6 Point Deep Metric Socket 10mm	80602	1/2" Drive 6 Point Standard SAE Socket 7/16"
80146D	1/4" Drive 6 Point Deep Metric Socket 11mm	80603	1/2" Drive 6 Point Standard SAE Socket 1/2"
80147	1/4" Drive 6 Point Deep Metric Socket 12mm	80604	1/2" Drive 6 Point Standard SAE Socket 9/16"
80148	1/4" Drive 6 Point Deep Metric Socket 13mm	80605	1/2" Drive 6 Point Standard SAE Socket 5/8"
80149	1/4" Drive 6 Point Deep Metric Socket 14mm	80606	1/2" Drive 6 Point Standard SAE Socket 11/16"
80350	3/8" Drive 6 Point Standard SAE Socket 1/4"	80607D	1/2" Drive 6 Point Standard SAE Socket 3/4"
80351	3/8" Drive 6 Point Standard SAE Socket 5/16"	80608	1/2" Drive 6 Point Standard SAE Socket 13/16"
80352	3/8" Drive 6 Point Standard SAE Socket 3/8"	80609	1/2" Drive 6 Point Standard SAE Socket 7/8"
80353	3/8" Drive 6 Point Standard SAE Socket 7/16"	80610D	1/2" Drive 6 Point Standard SAE Socket 15/16"
80354	3/8" Drive 6 Point Standard SAE Socket 1/2"	80611	1/2" Drive 6 Point Standard SAE Socket 1"
80355	3/8" Drive 6 Point Standard SAE Socket 9/16"	80622	1/2" Drive 6 Point Standard Metric Socket 10mm
80356	3/8" Drive 6 Point Standard SAE Socket 5/8"	80623	1/2" Drive 6 Point Standard Metric Socket 11mm
80357	3/8" Drive 6 Point Standard SAE Socket 11/16"	80624	1/2" Drive 6 Point Standard Metric Socket 12mm
80358	3/8" Drive 6 Point Standard SAE Socket 3/4"	80625	1/2" Drive 6 Point Standard Metric Socket 13mm
80359	3/8" Drive 6 Point Standard SAE Socket 13/16"	80626D	1/2" Drive 6 Point Standard Metric Socket 14mm
80360	3/8" Drive 6 Point Standard SAE Socket 7/8"	80627	1/2" Drive 6 Point Standard Metric Socket 15mm
80365	3/8" Drive 6 Point Deep SAE Socket 3/8"	80628	1/2" Drive 6 Point Standard Metric Socket 16mm
80366	3/8" Drive 6 Point Deep SAE Socket 7/16"	80629	1/2" Drive 6 Point Standard Metric Socket 17mm
80367	3/8" Drive 6 Point Deep SAE Socket 1/2"	80630	1/2" Drive 6 Point Standard Metric Socket 18mm
80368	3/8" Drive 6 Point Deep SAE Socket 9/16"	80631	1/2" Drive 6 Point Standard Metric Socket 19mm
80369	3/8" Drive 6 Point Deep SAE Socket 5/8"	80402	3/8" Drive 6 Point 2-1/2" Spark Plug Socket 5/8"
80370D	3/8" Drive 6 Point Deep SAE Socket 11/16"	80403	3/8" Drive 6 Point 2-1/2" Spark Plug Socket 13/16"
80371	3/8" Drive 6 Point Deep SAE Socket 3/4"	-	#1 Phillips® Bit
80377	3/8" Drive 6 Point Standard Metric Socket 9mm	-	#2 Phillips® Bit
80378	3/8" Drive 6 Point Standard Metric Socket 10mm	-	#3 Phillips® Bit
80379	3/8" Drive 6 Point Standard Metric Socket 11mm	-	4mm Slotted Bit
80380	3/8" Drive 6 Point Standard Metric Socket 12mm	-	5mm Slotted Bit
80381	3/8" Drive 6 Point Standard Metric Socket 13mm	-	6mm Slotted Bit
80382	3/8" Drive 6 Point Standard Metric Socket 14mm	-	T40 Torx® Bit
80383	3/8" Drive 6 Point Standard Metric Socket 15mm	-	T45 Torx® Bit
80384	3/8" Drive 6 Point Standard Metric Socket 16mm	-	T50 Torx® Bit
80385	3/8" Drive 6 Point Standard Metric Socket 17mm	-	3/16" Nutdriver Bit
80386	3/8" Drive 6 Point Standard Metric Socket 18mm	-	1/4" Nutdriver Bit
80387	3/8" Drive 6 Point Standard Metric Socket 19mm	-	5/16" Nutdriver Bit
80330	3/8" Drive 6 Point Standard Metric Socket 20mm	-	11/32" Nutdriver Bit
80391	3/8" Drive 6 Point Deep Metric Socket 9mm	-	3/8" Nutdriver Bit
80392	3/8" Drive 6 Point Deep Metric Socket 10mm	-	7/16" Nutdriver Bit
80393D	3/8" Drive 6 Point Deep Metric Socket 11mm	-	1/2" Nutdriver Bit
80394D	3/8" Drive 6 Point Deep Metric Socket 12mm	-	5mm Nutdriver Bit
80395	3/8" Drive 6 Point Deep Metric Socket 13mm	-	6mm Nutdriver Bit

Catalog No.	Description	Catalog No.	Description
-	7mm Nutdriver Bit	-	9mm Nutdriver Bit
-	8mm Nutdriver Bit	-	10mm Nutdriver Bit
-		-	11mm Nutdriver Bit

**141 Pc. 1/4", 3/8", and 1/2" Drive 6 and 12 Point SAE/Metric Mechanics Tool Set**

- Full polish chrome 1/4", 3/8" and 1/2" standard sockets, and 1/4" and 3/8" deep sockets
- 45 tooth quick release full polish chrome teardrop ratchets, with flush-mounted on/off lever
- Contains open end wrenches with full polish chrome finish
- Sockets feature off-corner loading design to reduce fastener rounding
- Includes long arm hex keys
- Magnetic bit driver with ergonomic dual material handle
- Extension bars feature a knurled grip, providing a non slip surface
- Includes blow mold case for storage and organization
- Meets or exceeds ASME specifications



Cat. No.	Included Storage	Product Weight
80931	Blow Mold Case	20.33 lb



Catalog No.	Description	Catalog No.	Description
81014	1/4" Drive 45 Tooth Quick Release Teardrop Ratchet 5-1/2"	80112	1/4" Drive 6 Point Standard SAE Socket 7/16"
81218	3/8" Drive 45 Tooth Quick Release Teardrop Ratchet 7-3/4"	80113D	1/4" Drive 6 Point Standard SAE Socket 1/2"
81309	1/2" Drive 45 Tooth Quick Release Teardrop Ratchet 9-1/2"	80117	1/4" Drive 6 Point Deep SAE Socket 1/4"
80480	1/4" Bit Adapter 1/4" Drive	80118	1/4" Drive 6 Point Deep SAE Socket 9/32"
81113D	1/4" Drive Extension 3"	80119	1/4" Drive 6 Point Deep SAE Socket 5/16"
81242	3/8" Drive Extension 6"	80120D	1/4" Drive 6 Point Deep SAE Socket 11/32"
81340	1/2" Drive Extension 3"	80121	1/4" Drive 6 Point Deep SAE Socket 3/8"
56603G	13 Piece Long Arm SAE Hex Key Set	80122D	1/4" Drive 6 Point Deep SAE Socket 7/16"
81799	3/8" x 7/16" Full Polish Open End Wrench	80123	1/4" Drive 6 Point Deep SAE Socket 1/2"
81801	1/2" x 9/16" Full Polish Open End Wrench	80125	1/4" Drive 6 Point Standard Metric Socket 4mm
81794D	10 x 12mm Full Polish Open End Wrench	80126	1/4" Drive 6 Point Standard Metric Socket 5mm
81796	12 x 14mm Full Polish Open End Wrench	80127	1/4" Drive 6 Point Standard Metric Socket 5.5mm
80104D	1/4" Drive 6 Point Standard SAE Socket 5/32"	80128	1/4" Drive 6 Point Standard Metric Socket 6mm
80105	1/4" Drive 6 Point Standard SAE Socket 3/16"	80129	1/4" Drive 6 Point Standard Metric Socket 7mm
80106	1/4" Drive 6 Point Standard SAE Socket 7/32"	80130	1/4" Drive 6 Point Standard Metric Socket 8mm
80107	1/4" Drive 6 Point Standard SAE Socket 1/4"	80131D	1/4" Drive 6 Point Standard Metric Socket 9mm
80108	1/4" Drive 6 Point Standard SAE Socket 9/32"	80132	1/4" Drive 6 Point Standard Metric Socket 10mm
80109	1/4" Drive 6 Point Standard SAE Socket 5/16"	80133	1/4" Drive 6 Point Standard Metric Socket 11mm
80110	1/4" Drive 6 Point Standard SAE Socket 11/32"	80134	1/4" Drive 6 Point Standard Metric Socket 12mm
80111	1/4" Drive 6 Point Standard SAE Socket 3/8"	80135D	1/4" Drive 6 Point Standard Metric Socket 13mm

■ *continued on next page*

**141 Pc. Mechanics Tool Set** ■ *continued from previous page*

Catalog No.	Description	Catalog No.	Description
80142	1/4" Drive 6 Point Deep Metric Socket 7mm	80503	3/8" Drive 12 Point Standard SAE Socket 11/16"
80143	1/4" Drive 6 Point Deep Metric Socket 8mm	80504	3/8" Drive 12 Point Standard SAE Socket 3/4"
80144	1/4" Drive 6 Point Deep Metric Socket 9mm	80489	3/8" Drive 12 Point Standard Metric Socket 13mm
80145	1/4" Drive 6 Point Deep Metric Socket 10mm	80490	3/8" Drive 12 Point Standard Metric Socket 14mm
80146D	1/4" Drive 6 Point Deep Metric Socket 11mm	80491	3/8" Drive 12 Point Standard Metric Socket 15mm
80147	1/4" Drive 6 Point Deep Metric Socket 12mm	80492	3/8" Drive 12 Point Standard Metric Socket 16mm
80148	1/4" Drive 6 Point Deep Metric Socket 13mm	80493	3/8" Drive 12 Point Standard Metric Socket 17mm
80352	3/8" Drive 6 Point Standard SAE Socket 3/8"	80494	3/8" Drive 12 Point Standard Metric Socket 18mm
80353	3/8" Drive 6 Point Standard SAE Socket 7/16"	80495	3/8" Drive 12 Point Standard Metric Socket 19mm
80354	3/8" Drive 6 Point Standard SAE Socket 1/2"	80764	1/2" Drive 12 Point Standard SAE Socket 11/16"
80355	3/8" Drive 6 Point Standard SAE Socket 9/16"	80765	1/2" Drive 12 Point Standard SAE Socket 3/4"
80356	3/8" Drive 6 Point Standard SAE Socket 5/8"	80766	1/2" Drive 12 Point Standard SAE Socket 13/16"
80357	3/8" Drive 6 Point Standard SAE Socket 11/16"	80767	1/2" Drive 12 Point Standard SAE Socket 7/8"
80358	3/8" Drive 6 Point Standard SAE Socket 3/4"	80768	1/2" Drive 12 Point Standard SAE Socket 15/16"
80365	3/8" Drive 6 Point Deep SAE Socket 3/8"	80769	1/2" Drive 12 Point Standard SAE Socket 1"
80366	3/8" Drive 6 Point Deep SAE Socket 7/16"	80750	1/2" Drive 12 Point Standard Metric Socket 15mm
80367	3/8" Drive 6 Point Deep SAE Socket 1/2"	80751	1/2" Drive 12 Point Standard Metric Socket 16mm
80368	3/8" Drive 6 Point Deep SAE Socket 9/16"	80752	1/2" Drive 12 Point Standard Metric Socket 17mm
80369	3/8" Drive 6 Point Deep SAE Socket 5/8"	80753	1/2" Drive 12 Point Standard Metric Socket 18mm
80370D	3/8" Drive 6 Point Deep SAE Socket 11/16"	80754	1/2" Drive 12 Point Standard Metric Socket 19mm
80371	3/8" Drive 6 Point Deep SAE Socket 3/4"	80756	1/2" Drive 12 Point Standard Metric Socket 21mm
80378	3/8" Drive 6 Point Standard Metric Socket 10mm	80402	3/8" Drive 6 Point 2-1/2" Spark Plug Socket 5/8"
80379	3/8" Drive 6 Point Standard Metric Socket 11mm	-	#1 Phillips® Bit
80380	3/8" Drive 6 Point Standard Metric Socket 12mm	-	#2 Phillips® Bit
80381	3/8" Drive 6 Point Standard Metric Socket 13mm	-	#3 Phillips® Bit
80382	3/8" Drive 6 Point Standard Metric Socket 14mm	-	4mm Slotted Bit
80383	3/8" Drive 6 Point Standard Metric Socket 15mm	-	5mm Slotted Bit
80384	3/8" Drive 6 Point Standard Metric Socket 16mm	-	6mm Slotted Bit
80385	3/8" Drive 6 Point Standard Metric Socket 17mm	-	T40 Torx® Bit
80386	3/8" Drive 6 Point Standard Metric Socket 18mm	-	T45 Torx® Bit
80387	3/8" Drive 6 Point Standard Metric Socket 19mm	-	T50 Torx® Bit
80392	3/8" Drive 6 Point Deep Metric Socket 10mm	-	3/16" Nutdriver Bit
80393D	3/8" Drive 6 Point Deep Metric Socket 11mm	-	1/4" Nutdriver Bit
80394D	3/8" Drive 6 Point Deep Metric Socket 12mm	-	5/16" Nutdriver Bit
80395	3/8" Drive 6 Point Deep Metric Socket 13mm	-	11/32" Nutdriver Bit
80396	3/8" Drive 6 Point Deep Metric Socket 14mm	-	3/8" Nutdriver Bit
80397	3/8" Drive 6 Point Deep Metric Socket 15mm	-	7/16" Nutdriver Bit
80398	3/8" Drive 6 Point Deep Metric Socket 16mm	-	1/2" Nutdriver Bit
80399	3/8" Drive 6 Point Deep Metric Socket 17mm	-	5mm Nutdriver Bit
80400	3/8" Drive 6 Point Deep Metric Socket 18mm	-	6mm Nutdriver Bit
80401	3/8" Drive 6 Point Deep Metric Socket 19mm	-	7mm Nutdriver Bit
80498	3/8" Drive 12 Point Standard SAE Socket 3/8"	-	8mm Nutdriver Bit
80499	3/8" Drive 12 Point Standard SAE Socket 7/16"	-	9mm Nutdriver Bit
80500D	3/8" Drive 12 Point Standard SAE Socket 1/2"	-	10mm Nutdriver Bit
80501	3/8" Drive 12 Point Standard SAE Socket 9/16"	-	11mm Nutdriver Bit
80502	3/8" Drive 12 Point Standard SAE Socket 5/8"	-	

**118 Pc. 1/4", 3/8", and 1/2" Drive 6 and 12 Point SAE/Metric Mechanics Tool Set**

- 84 tooth ratchet mechanism offers a 4.3° swing arc for easy access
- Contains 12 point full polish long pattern combination wrenches and sockets
- Sockets feature off-corner loading design to reduce fastener rounding
- Extension bars feature a knurled grip, providing a non slip surface
- Spinner handle design delivers ultra-fast action
- Bit made of S2 steel for strength and durability
- Bright, full polish chrome finish easily wipes clean and resists corrosion
- Includes blow mold case for storage and organization
- Meets or exceeds ASME specifications



Cat. No.	Included Storage	Product Weight
83001D	Blow Mold Case	18.72 lb



Catalog No.	Description	Catalog No.	Description
81011F	1/4" Drive 84 Tooth Teardrop Ratchet 5"	80123	1/4" Drive 6 Point Deep SAE Socket 1/2"
81211F	3/8" Drive 84 Tooth Teardrop Ratchet 8-1/4"	80125	1/4" Drive 6 Point Standard Metric Socket 4mm
81304F	1/2" Drive 84 Tooth Teardrop Ratchet 11"	80126	1/4" Drive 6 Point Standard Metric Socket 5mm
81128	1/4" Drive Spinner Handle 7-3/4"	80128	1/4" Drive 6 Point Standard Metric Socket 6mm
80480	1/4" Bit Adapter 1/4" Drive	80129	1/4" Drive 6 Point Standard Metric Socket 7mm
81241	3/8" Drive Extension 3"	80130	1/4" Drive 6 Point Standard Metric Socket 8mm
81242	3/8" Drive Extension 6"	80131D	1/4" Drive 6 Point Standard Metric Socket 9mm
81119	1/4" Drive Wobble Extension 2"	80132	1/4" Drive 6 Point Standard Metric Socket 10mm
81345	1/2" Drive Wobble Extension 5"	80133	1/4" Drive 6 Point Standard Metric Socket 11mm
81655	7/16" 12 Point Long Pattern Combination Wrench	80134	1/4" Drive 6 Point Standard Metric Socket 12mm
81656	1/2" 12 Point Long Pattern Combination Wrench	80135D	1/4" Drive 6 Point Standard Metric Socket 13mm
81657	9/16" 12 Point Long Pattern Combination Wrench	80142	1/4" Drive 6 Point Deep Metric Socket 7mm
81675	18mm 12 Point Long Pattern Combination Wrench	80143	1/4" Drive 6 Point Deep Metric Socket 8mm
81676	19mm 12 Point Long Pattern Combination Wrench	80144	1/4" Drive 6 Point Deep Metric Socket 9mm
80105	1/4" Drive 6 Point Standard SAE Socket 3/16"	80145	1/4" Drive 6 Point Deep Metric Socket 10mm
80106	1/4" Drive 6 Point Standard SAE Socket 7/32"	80146D	1/4" Drive 6 Point Deep Metric Socket 11mm
80107	1/4" Drive 6 Point Standard SAE Socket 1/4"	80147	1/4" Drive 6 Point Deep Metric Socket 12mm
80108	1/4" Drive 6 Point Standard SAE Socket 9/32"	80148	1/4" Drive 6 Point Deep Metric Socket 13mm
80109	1/4" Drive 6 Point Standard SAE Socket 5/16"	80210	1/4" Drive 12 Point Standard SAE Socket 3/16"
80110	1/4" Drive 6 Point Standard SAE Socket 11/32"	80211	1/4" Drive 12 Point Standard SAE Socket 7/32"
80111	1/4" Drive 6 Point Standard SAE Socket 3/8"	80212	1/4" Drive 12 Point Standard SAE Socket 1/4"
80112	1/4" Drive 6 Point Standard SAE Socket 7/16"	80213	1/4" Drive 12 Point Standard SAE Socket 9/32"
80113D	1/4" Drive 6 Point Standard SAE Socket 1/2"	80214	1/4" Drive 12 Point Standard SAE Socket 5/16"
80114D	1/4" Drive 6 Point Standard SAE Socket 9/16"	80215D	1/4" Drive 12 Point Standard SAE Socket 11/32"
80117	1/4" Drive 6 Point Deep SAE Socket 1/4"	80216	1/4" Drive 12 Point Standard SAE Socket 3/8"
80118	1/4" Drive 6 Point Deep SAE Socket 9/32"	80217	1/4" Drive 12 Point Standard SAE Socket 7/16"
80119	1/4" Drive 6 Point Deep SAE Socket 5/16"	80218	1/4" Drive 12 Point Standard SAE Socket 1/2"
80120D	1/4" Drive 6 Point Deep SAE Socket 11/32"	80377	3/8" Drive 6 Point Standard Metric Socket 9mm
80121	1/4" Drive 6 Point Deep SAE Socket 3/8"	80378	3/8" Drive 6 Point Standard Metric Socket 10mm
80122D	1/4" Drive 6 Point Deep SAE Socket 7/16"		

■ *continued on next page*



**118 Pc. Mechanics Tool Set** ■ *continued from previous page*

Catalog No.	Description	Catalog No.	Description
80379	3/8" Drive 6 Point Standard Metric Socket 11mm	80486	3/8" Drive 12 Point Standard Metric Socket 10mm
80380	3/8" Drive 6 Point Standard Metric Socket 12mm	80487	3/8" Drive 12 Point Standard Metric Socket 11mm
80381	3/8" Drive 6 Point Standard Metric Socket 13mm	80488	3/8" Drive 12 Point Standard Metric Socket 12mm
80382	3/8" Drive 6 Point Standard Metric Socket 14mm	80489	3/8" Drive 12 Point Standard Metric Socket 13mm
80383	3/8" Drive 6 Point Standard Metric Socket 15mm	80490	3/8" Drive 12 Point Standard Metric Socket 14mm
80385	3/8" Drive 6 Point Standard Metric Socket 17mm	80491	3/8" Drive 12 Point Standard Metric Socket 15mm
80387	3/8" Drive 6 Point Standard Metric Socket 19mm	80492	3/8" Drive 12 Point Standard Metric Socket 16mm
80392	3/8" Drive 6 Point Deep Metric Socket 10mm	80493	3/8" Drive 12 Point Standard Metric Socket 17mm
80394D	3/8" Drive 6 Point Deep Metric Socket 12mm	80494	3/8" Drive 12 Point Standard Metric Socket 18mm
80395	3/8" Drive 6 Point Deep Metric Socket 13mm	80495	3/8" Drive 12 Point Standard Metric Socket 19mm
80396	3/8" Drive 6 Point Deep Metric Socket 14mm	80772	1/2" Drive 12 Point Deep SAE Socket 7/16"
80397	3/8" Drive 6 Point Deep Metric Socket 15mm	80773	1/2" Drive 12 Point Deep SAE Socket 1/2"
80398	3/8" Drive 6 Point Deep Metric Socket 16mm	80774	1/2" Drive 12 Point Deep SAE Socket 9/16"
80399	3/8" Drive 6 Point Deep Metric Socket 17mm	80775	1/2" Drive 12 Point Deep SAE Socket 5/8"
80498	3/8" Drive 12 Point Standard SAE Socket 3/8"	80776	1/2" Drive 12 Point Deep SAE Socket 11/16"
80499	3/8" Drive 12 Point Standard SAE Socket 7/16"	80777D	1/2" Drive 12 Point Deep SAE Socket 3/4"
80500D	3/8" Drive 12 Point Standard SAE Socket 1/2"	80778	1/2" Drive 12 Point Deep SAE Socket 13/16"
80501	3/8" Drive 12 Point Standard SAE Socket 9/16"	80402	3/8" Drive 6 Point 2-1/2" Spark Plug Socket 5/8"
80502	3/8" Drive 12 Point Standard SAE Socket 5/8"	80180	1/4" Drive Tamper-Proof Torx® Bit Socket T10
80503	3/8" Drive 12 Point Standard SAE Socket 11/16"	80181	1/4" Drive Tamper-Proof Torx® Bit Socket T15
80504	3/8" Drive 12 Point Standard SAE Socket 3/4"	80182	1/4" Drive Tamper-Proof Torx® Bit Socket T20
80505	3/8" Drive 12 Point Standard SAE Socket 13/16"	80178	1/4" Drive Tamper-Proof Torx® Bit Socket T7
80510D	3/8 Drive 12 Point Deep SAE Socket 5/16"	80179	1/4" Drive Tamper-Proof Torx® Bit Socket T8
80511	3/8 Drive 12 Point Deep SAE Socket 3/8"	80471	Tamper Proof Torx® Inset Bit T10
80512	3/8 Drive 12 Point Deep SAE Socket 7/16"	80472	Tamper Proof Torx® Inset Bit T15
80513	3/8 Drive 12 Point Deep SAE Socket 1/2"	80473	Tamper Proof Torx® Inset Bit T20
80514	3/8 Drive 12 Point Deep SAE Socket 9/16"	80474	Tamper Proof Torx® Inset Bit T25
80515D	3/8 Drive 12 Point Deep SAE Socket 5/8"	80475	Tamper Proof Torx® Inset Bit T27
80516	3/8 Drive 12 Point Deep SAE Socket 11/16"	80476	Tamper Proof Torx® Inset Bit T30
80485	3/8" Drive 12 Point Standard Metric Socket 9mm		

**110 Pc. 1/4", 3/8", and 1/2" Drive 6 and 12 Point SAE/Metric Mechanics Tool Set**

- 84 tooth ratchet mechanism offers a 4.3° swing arc for easy access
- Contains 12 point full polish long pattern combination wrenches and sockets
- Sockets feature off-corner loading design to reduce fastener rounding
- Bright, full polish chrome finish easily wipes clean and resists corrosion
- Includes blow mold case for storage and organization
- Meets or exceeds ASME specifications



Cat. No.	Included Storage	Product Weight
89058	Blow Mold Case	18.700 lb



Cat. No.	Description	Cat. No.	Description
81011F	1/4" Drive 84 Tooth Teardrop Ratchet 5"	80135D	1/4" Drive 6 Point Standard Metric Socket 13mm
81211F	3/8" Drive 84 Tooth Teardrop Ratchet 8-1/4"	80117	1/4" Drive 6 Point Deep SAE Socket 1/4"
81304F	1/2" Drive 84 Tooth Teardrop Ratchet 11"	80118	1/4" Drive 6 Point Deep SAE Socket 9/32"
81113D	1/4" Drive Extension 3"	80119	1/4" Drive 6 Point Deep SAE Socket 5/16"
81242	3/8" Drive Extension 6"	80120D	1/4" Drive 6 Point Deep SAE Socket 11/32"
81340	1/2" Drive Extension 3"	80121	1/4" Drive 6 Point Deep SAE Socket 3/8"
81654	3/8" 12 Point Long Pattern Combination Wrench	80122D	1/4" Drive 6 Point Deep SAE Socket 7/16"
81655	7/16" 12 Point Long Pattern Combination Wrench	80123	1/4" Drive 6 Point Deep SAE Socket 1/2"
81656	1/2" 12 Point Long Pattern Combination Wrench	80142	1/4" Drive 6 Point Deep Metric Socket 7mm
81657	9/16" 12 Point Long Pattern Combination Wrench	80143	1/4" Drive 6 Point Deep Metric Socket 8mm
81667	10mm 12 Point Long Pattern Combination Wrench	80144	1/4" Drive 6 Point Deep Metric Socket 9mm
81669	12mm 12 Point Long Pattern Combination Wrench	80145	1/4" Drive 6 Point Deep Metric Socket 10mm
81670	13mm 12 Point Long Pattern Combination Wrench	80146D	1/4" Drive 6 Point Deep Metric Socket 11mm
81671	14mm 12 Point Long Pattern Combination Wrench	80147	1/4" Drive 6 Point Deep Metric Socket 12mm
80104D	1/4" Drive 6 Point Standard SAE Socket 5/32"	80148	1/4" Drive 6 Point Deep Metric Socket 13mm
80105	1/4" Drive 6 Point Standard SAE Socket 3/16"	80352	3/8" Drive 6 Point Standard SAE Socket 3/8"
80106	1/4" Drive 6 Point Standard SAE Socket 7/32"	80353	3/8" Drive 6 Point Standard SAE Socket 7/16"
80107	1/4" Drive 6 Point Standard SAE Socket 1/4"	80354	3/8" Drive 6 Point Standard SAE Socket 1/2"
80108	1/4" Drive 6 Point Standard SAE Socket 9/32"	80355	3/8" Drive 6 Point Standard SAE Socket 9/16"
80109	1/4" Drive 6 Point Standard SAE Socket 5/16"	80356	3/8" Drive 6 Point Standard SAE Socket 5/8"
80110	1/4" Drive 6 Point Standard SAE Socket 11/32"	80357	3/8" Drive 6 Point Standard SAE Socket 11/16"
80111	1/4" Drive 6 Point Standard SAE Socket 3/8"	80358	3/8" Drive 6 Point Standard SAE Socket 3/4"
80112	1/4" Drive 6 Point Standard SAE Socket 7/16"	80378	3/8" Drive 6 Point Standard Metric Socket 10mm
80113D	1/4" Drive 6 Point Standard SAE Socket 1/2"	80379	3/8" Drive 6 Point Standard Metric Socket 11mm
80125	1/4" Drive 6 Point Standard Metric Socket 4mm	80380	3/8" Drive 6 Point Standard Metric Socket 12mm
80126	1/4" Drive 6 Point Standard Metric Socket 5mm	80381	3/8" Drive 6 Point Standard Metric Socket 13mm
80127	1/4" Drive 6 Point Standard Metric Socket 5.5mm	80382	3/8" Drive 6 Point Standard Metric Socket 14mm
80128	1/4" Drive 6 Point Standard Metric Socket 6mm	80383	3/8" Drive 6 Point Standard Metric Socket 15mm
80129	1/4" Drive 6 Point Standard Metric Socket 7mm	80384	3/8" Drive 6 Point Standard Metric Socket 16mm
80130	1/4" Drive 6 Point Standard Metric Socket 8mm	80385	3/8" Drive 6 Point Standard Metric Socket 17mm
80131D	1/4" Drive 6 Point Standard Metric Socket 9mm	80386	3/8" Drive 6 Point Standard Metric Socket 18mm
80132	1/4" Drive 6 Point Standard Metric Socket 10mm	80387	3/8" Drive 6 Point Standard Metric Socket 19mm
80133	1/4" Drive 6 Point Standard Metric Socket 11mm	80365	3/8" Drive 6 Point Deep SAE Socket 3/8"
80134	1/4" Drive 6 Point Standard Metric Socket 12mm		

■ *continued on next page*

**110 Pc. Mechanics Tool Set** ■ *continued from previous page*

Cat. No.	Description	Cat. No.	Description
80366	3/8" Drive 6 Point Deep SAE Socket 7/16"	80504	3/8" Drive 12 Point Standard SAE Socket 3/4"
80367	3/8" Drive 6 Point Deep SAE Socket 1/2"	80489	3/8" Drive 12 Point Standard Metric Socket 13mm
80368	3/8" Drive 6 Point Deep SAE Socket 9/16"	80490	3/8" Drive 12 Point Standard Metric Socket 14mm
80369	3/8" Drive 6 Point Deep SAE Socket 5/8"	80491	3/8" Drive 12 Point Standard Metric Socket 15mm
80370D	3/8" Drive 6 Point Deep SAE Socket 11/16"	80492	3/8" Drive 12 Point Standard Metric Socket 16mm
80371	3/8" Drive 6 Point Deep SAE Socket 3/4"	80493	3/8" Drive 12 Point Standard Metric Socket 17mm
80392	3/8" Drive 6 Point Deep Metric Socket 10mm	80494	3/8" Drive 12 Point Standard Metric Socket 18mm
80393D	3/8" Drive 6 Point Deep Metric Socket 11mm	80495	3/8" Drive 12 Point Standard Metric Socket 19mm
80394D	3/8" Drive 6 Point Deep Metric Socket 12mm	80764	1/2" Drive 12 Point Standard SAE Socket 11/16"
80395	3/8" Drive 6 Point Deep Metric Socket 13mm	80765	1/2" Drive 12 Point Standard SAE Socket 3/4"
80396	3/8" Drive 6 Point Deep Metric Socket 14mm	80766	1/2" Drive 12 Point Standard SAE Socket 13/16"
80397	3/8" Drive 6 Point Deep Metric Socket 15mm	80767	1/2" Drive 12 Point Standard SAE Socket 7/8"
80398	3/8" Drive 6 Point Deep Metric Socket 16mm	80768	1/2" Drive 12 Point Standard SAE Socket 15/16"
80399	3/8" Drive 6 Point Deep Metric Socket 17mm	80769	1/2" Drive 12 Point Standard SAE Socket 1"
80400	3/8" Drive 6 Point Deep Metric Socket 18mm	80750	1/2" Drive 12 Point Standard Metric Socket 15mm
80401	3/8" Drive 6 Point Deep Metric Socket 19mm	80751	1/2" Drive 12 Point Standard Metric Socket 16mm
80498	3/8" Drive 12 Point Standard SAE Socket 3/8"	80752	1/2" Drive 12 Point Standard Metric Socket 17mm
80499	3/8" Drive 12 Point Standard SAE Socket 7/16"	80753	1/2" Drive 12 Point Standard Metric Socket 18mm
80500D	3/8" Drive 12 Point Standard SAE Socket 1/2"	80754	1/2" Drive 12 Point Standard Metric Socket 19mm
80501	3/8" Drive 12 Point Standard SAE Socket 9/16"	80756	1/2" Drive 12 Point Standard Metric Socket 21mm
80502	3/8" Drive 12 Point Standard SAE Socket 5/8"	80402	3/8" Drive 6 Point 2-1/2" Spark Plug Socket 5/8"
80503	3/8" Drive 12 Point Standard SAE Socket 11/16"		

**232 Pc. 1/4" and 3/8" Drive 6 and 12 Point SAE/Metric Mechanics Tool Set**

- Full polish chrome SAE and metric 1/4" and 3/8" standard and deep sockets
- 84 tooth quick release full polish chrome teardrop ratchets, with flush-mounted on/off lever
- Full polish chrome SAE and metric 72 tooth ratcheting wrenches, with a 5° swing arc
- Set includes comprehensive bit socket offering including: hex bit, Torx® bit, and External Torx® sockets
- Sockets feature off-corner loading design to reduce fastener rounding
- Magnetic bit driver with ergonomic dual material handle
- Extension bars feature a knurled grip, providing a non slip surface
- Includes long arm hex keys
- 3 drawer storage box with independent sliding drawers, locking side flaps, a steel hinged lid and a durable handle
- Meets or exceeds ASME specifications



Cat. No.	Included Storage	Product Weight
80944	3 Drawer Storage Box	41.050 lb



Cat. No.	Description	Cat. No.	Description
81011F	1/4" Drive 84 Tooth Teardrop Ratchet 5"	9113D	13mm 12 Point Ratcheting Combination Wrench
81211F	3/8" Drive 84 Tooth Teardrop Ratchet 8-1/4"	9114D	14mm 12 Point Ratcheting Combination Wrench
81113D	1/4" Drive Extension 3"	9115D	15mm 12 Point Ratcheting Combination Wrench
81241	3/8" Drive Extension 3"	9116D	16mm 12 Point Ratcheting Combination Wrench
81242	3/8" Drive Extension 6"	9117D	17mm 12 Point Ratcheting Combination Wrench
82783	1/4" Magnetic Bit Holding Screwdriver Handle	9118D	18mm 12 Point Ratcheting Combination Wrench
-	30 Pc. Bit Set with Box	9119	19mm 12 Point Ratcheting Combination Wrench
56603G	13 Piece Long Arm SAE Hex Key Set	80104D	1/4" Drive 6 Point Standard SAE Socket 5/32"
56606G	9 Piece Long Arm Metric Hex Key Set	80105	1/4" Drive 6 Point Standard SAE Socket 3/16"
9008	1/4" 12 Point Ratcheting Combination Wrench	80106	1/4" Drive 6 Point Standard SAE Socket 7/32"
9010D	5/16" 12 Point Ratcheting Combination Wrench	80107	1/4" Drive 6 Point Standard SAE Socket 1/4"
9011D	11/32" 12 Point Ratcheting Combination Wrench	80108	1/4" Drive 6 Point Standard SAE Socket 9/32"
9012D	3/8" 12 Point Ratcheting Combination Wrench	80109	1/4" Drive 6 Point Standard SAE Socket 5/16"
9014	7/16" 12 Point Ratcheting Combination Wrench	80110	1/4" Drive 6 Point Standard SAE Socket 11/32"
9016D	1/2" 12 Point Ratcheting Combination Wrench	80111	1/4" Drive 6 Point Standard SAE Socket 3/8"
9018D	9/16" 12 Point Ratcheting Combination Wrench	80112	1/4" Drive 6 Point Standard SAE Socket 7/16"
9020	5/8" 12 Point Ratcheting Combination Wrench	80113D	1/4" Drive 6 Point Standard SAE Socket 1/2"
9022	11/16" 12 Point Ratcheting Combination Wrench	80114D	1/4" Drive 6 Point Standard SAE Socket 9/16"
9024	3/4" 12 Point Ratcheting Combination Wrench	80115	1/4" Drive 6 Point Deep SAE Socket 3/16"
9106	6mm 12 Point Ratcheting Combination Wrench	80116D	1/4" Drive 6 Point Deep SAE Socket 7/32"
9107	7mm 12 Point Ratcheting Combination Wrench	80117	1/4" Drive 6 Point Deep SAE Socket 1/4"
9108D	8mm 12 Point Ratcheting Combination Wrench	80118	1/4" Drive 6 Point Deep SAE Socket 9/32"
9109	9mm 12 Point Ratcheting Combination Wrench	80119	1/4" Drive 6 Point Deep SAE Socket 5/16"
9110D	10mm 12 Point Ratcheting Combination Wrench	80120D	1/4" Drive 6 Point Deep SAE Socket 11/32"
9111	11mm 12 Point Ratcheting Combination Wrench	80121	1/4" Drive 6 Point Deep SAE Socket 3/8"
9112	12mm 12 Point Ratcheting Combination Wrench	80122D	1/4" Drive 6 Point Deep SAE Socket 7/16"

■ *continued on next page*



**232 Pc. Mechanics Tool Set** ■ *continued from previous page*

Cat. No.	Description	Cat. No.	Description
80123	1/4" Drive 6 Point Deep SAE Socket 1/2"	80379	3/8" Drive 6 Point Standard Metric Socket 11mm
80124	1/4" Drive 6 Point Deep SAE Socket 9/16"	80380	3/8" Drive 6 Point Standard Metric Socket 12mm
80125	1/4" Drive 6 Point Standard Metric Socket 4mm	80381	3/8" Drive 6 Point Standard Metric Socket 13mm
80126	1/4" Drive 6 Point Standard Metric Socket 5mm	80382	3/8" Drive 6 Point Standard Metric Socket 14mm
80128	1/4" Drive 6 Point Standard Metric Socket 6mm	80383	3/8" Drive 6 Point Standard Metric Socket 15mm
80129	1/4" Drive 6 Point Standard Metric Socket 7mm	80384	3/8" Drive 6 Point Standard Metric Socket 16mm
80130	1/4" Drive 6 Point Standard Metric Socket 8mm	80385	3/8" Drive 6 Point Standard Metric Socket 17mm
80131D	1/4" Drive 6 Point Standard Metric Socket 9mm	80386	3/8" Drive 6 Point Standard Metric Socket 18mm
80132	1/4" Drive 6 Point Standard Metric Socket 10mm	80387	3/8" Drive 6 Point Standard Metric Socket 19mm
80133	1/4" Drive 6 Point Standard Metric Socket 11mm	80330	3/8" Drive 6 Point Standard Metric Socket 20mm
80134	1/4" Drive 6 Point Standard Metric Socket 12mm	80331	3/8" Drive 6 Point Standard Metric Socket 21mm
80135D	1/4" Drive 6 Point Standard Metric Socket 13mm	80332	3/8" Drive 6 Point Standard Metric Socket 22mm
80138	1/4" Drive 6 Point Deep Metric Socket 4mm	80391	3/8" Drive 6 Point Deep Metric Socket 9mm
80139	1/4" Drive 6 Point Deep Metric Socket 5mm	80392	3/8" Drive 6 Point Deep Metric Socket 10mm
80141	1/4" Drive 6 Point Deep Metric Socket 6mm	80393D	3/8" Drive 6 Point Deep Metric Socket 11mm
80142	1/4" Drive 6 Point Deep Metric Socket 7mm	80394D	3/8" Drive 6 Point Deep Metric Socket 12mm
80143	1/4" Drive 6 Point Deep Metric Socket 8mm	80395	3/8" Drive 6 Point Deep Metric Socket 13mm
80144	1/4" Drive 6 Point Deep Metric Socket 9mm	80396	3/8" Drive 6 Point Deep Metric Socket 14mm
80145	1/4" Drive 6 Point Deep Metric Socket 10mm	80397	3/8" Drive 6 Point Deep Metric Socket 15mm
80146D	1/4" Drive 6 Point Deep Metric Socket 11mm	80398	3/8" Drive 6 Point Deep Metric Socket 16mm
80147	1/4" Drive 6 Point Deep Metric Socket 12mm	80399	3/8" Drive 6 Point Deep Metric Socket 17mm
80148	1/4" Drive 6 Point Deep Metric Socket 13mm	80400	3/8" Drive 6 Point Deep Metric Socket 18mm
80149	1/4" Drive 6 Point Deep Metric Socket 14mm	80401	3/8" Drive 6 Point Deep Metric Socket 19mm
80350	3/8" Drive 6 Point Standard SAE Socket 1/4"	80484	3/8" Drive 12 Point Standard Metric Socket 8mm
80351	3/8" Drive 6 Point Standard SAE Socket 5/16"	80485	3/8" Drive 12 Point Standard Metric Socket 9mm
80352	3/8" Drive 6 Point Standard SAE Socket 3/8"	80486	3/8" Drive 12 Point Standard Metric Socket 10mm
80353	3/8" Drive 6 Point Standard SAE Socket 7/16"	80487	3/8" Drive 12 Point Standard Metric Socket 11mm
80354	3/8" Drive 6 Point Standard SAE Socket 1/2"	80488	3/8" Drive 12 Point Standard Metric Socket 12mm
80355	3/8" Drive 6 Point Standard SAE Socket 9/16"	80489	3/8" Drive 12 Point Standard Metric Socket 13mm
80356	3/8" Drive 6 Point Standard SAE Socket 5/8"	80490	3/8" Drive 12 Point Standard Metric Socket 14mm
80357	3/8" Drive 6 Point Standard SAE Socket 11/16"	80491	3/8" Drive 12 Point Standard Metric Socket 15mm
80358	3/8" Drive 6 Point Standard SAE Socket 3/4"	80492	3/8" Drive 12 Point Standard Metric Socket 16mm
80359	3/8" Drive 6 Point Standard SAE Socket 13/16"	80493	3/8" Drive 12 Point Standard Metric Socket 17mm
80360	3/8" Drive 6 Point Standard SAE Socket 7/8"	80494	3/8" Drive 12 Point Standard Metric Socket 18mm
80365	3/8" Drive 6 Point Deep SAE Socket 3/8"	80495	3/8" Drive 12 Point Standard Metric Socket 19mm
80366	3/8" Drive 6 Point Deep SAE Socket 7/16"	80172	1/4" Drive Torx® Bit Socket T10
80367	3/8" Drive 6 Point Deep SAE Socket 1/2"	80173	1/4" Drive Torx® Bit Socket T15
80368	3/8" Drive 6 Point Deep SAE Socket 9/16"	80182	1/4" Drive Tamper-Proof Torx® Bit Socket T20
80369	3/8" Drive 6 Point Deep SAE Socket 5/8"	80183	1/4" Drive Tamper-Proof Torx® Bit Socket T25
80370D	3/8" Drive 6 Point Deep SAE Socket 11/16"	80184	1/4" Drive Tamper-Proof Torx® Bit Socket T27
80371	3/8" Drive 6 Point Deep SAE Socket 3/4"	80185	1/4" Drive Tamper-Proof Torx® Bit Socket T30
80374	3/8" Drive 6 Point Standard Metric Socket 6mm	80187	1/4" Drive External Torx® Socket E5
80375	3/8" Drive 6 Point Standard Metric Socket 7mm	80188D	1/4" Drive External Torx® Socket E6
80376	3/8" Drive 6 Point Standard Metric Socket 8mm	80189	1/4" Drive External Torx® Socket E7
80377	3/8" Drive 6 Point Standard Metric Socket 9mm	80190	1/4" Drive External Torx® Socket E8
80378	3/8" Drive 6 Point Standard Metric Socket 10mm	80416	3/8" Drive Hex Bit SAE Socket 5/32"

Cat. No.	Description	Cat. No.	Description
80417	3/8" Drive Hex Bit SAE Socket 3/16"	80460	3/8" Drive External Torx® Socket E10
80418	3/8" Drive Hex Bit SAE Socket 7/32"	80461	3/8" Drive External Torx® Socket E12
80419	3/8" Drive Hex Bit SAE Socket 1/4"	80462	3/8" Drive External Torx® Socket E14
80420	3/8" Drive Hex Bit SAE Socket 5/16"	80463	3/8" Drive External Torx® Socket E16
80421	3/8" Drive Hex Bit SAE Socket 3/8"	80402	3/8" Drive 6 Point 2-1/2" Spark Plug Socket 5/8"
80422	3/8" Drive Hex Bit Metric Socket 2mm	-	3/16" Nutdriver Bit
80423	3/8" Drive Hex Bit Metric Socket 2.5mm	-	1/4" Nutdriver Bit
80424	3/8" Drive Hex Bit Metric Socket 3mm	-	5/16" Nutdriver Bit
80425	3/8" Drive Hex Bit Metric Socket 4mm	-	11/32" Nutdriver Bit
80426	3/8" Drive Hex Bit Metric Socket 5mm	-	3/8" Nutdriver Bit
80427	3/8" Drive Hex Bit Metric Socket 6mm	-	7/16" Nutdriver Bit
80428D	3/8" Drive Hex Bit Metric Socket 7mm	-	1/2" Nutdriver Bit
80429	3/8" Drive Hex Bit Metric Socket 8mm	-	5mm Nutdriver Bit
80430	3/8" Drive Hex Bit Metric Socket 9mm	-	6mm Nutdriver Bit
80431	3/8" Drive Hex Bit Metric Socket 10mm	-	7mm Nutdriver Bit
80451	3/8" Drive Torx® Bit Socket T40	-	8mm Nutdriver Bit
80452	3/8" Drive Torx® Bit Socket T45	-	9mm Nutdriver Bit
80453	3/8" Drive Torx® Bit Socket T47	-	10mm Nutdriver Bit
80454	3/8" Drive Torx® Bit Socket T50	-	11mm Nutdriver Bit
80455	3/8" Drive Torx® Bit Socket T55	-	

### 88 Pc. 1/4" and 3/8" Drive 6 and 12 Point SAE/Metric Mechanics Tool Set

- Full polish chrome 1/4" and 3/8" standard sockets
- 45 tooth quick release full polish chrome teardrop ratchets, with flush-mounted on/off lever
- Contains open end wrenches with full polish chrome finish
- Sockets feature off-corner loading design to reduce fastener rounding
- Includes long arm hex keys
- Magnetic bit driver with ergonomic dual material handle
- Extension bars feature a knurled grip, providing a non slip surface
- Includes blow mold case for storage and organization
- Meets or exceeds ASME specifications



Cat. No.	Included Storage	Product Weight
80930	Blow Mold Case	8.91 lb



Cat. No.	Description	Cat. No.	Description
81218	3/8" Drive 45 Tooth Quick Release Teardrop Ratchet 7-3/4"	80135D	1/4" Drive 6 Point Standard Metric Socket 13mm
81128	1/4" Drive Spinner Handle 7-3/4"	80136	1/4" Drive 6 Point Standard Metric Socket 14mm
81241	3/8" Drive Extension 3"	80496	3/8" Drive 12 Point Standard SAE Socket 1/4"
81277	3/8" Drive 3/8" F x 1/4" M Adapter	80497D	3/8" Drive 12 Point Standard SAE Socket 5/16"
56603G	13 Piece Long Arm SAE Hex Key Set	80498	3/8" Drive 12 Point Standard SAE Socket 3/8"
81794D	10 x 12mm Full Polish Open End Wrench	80499	3/8" Drive 12 Point Standard SAE Socket 7/16"
81796	12 x 14mm Full Polish Open End Wrench	80500D	3/8" Drive 12 Point Standard SAE Socket 1/2"
81799	3/8" x 7/16" Full Polish Open End Wrench	80501	3/8" Drive 12 Point Standard SAE Socket 9/16"
81801	1/2" x 9/16" Full Polish Open End Wrench	80502	3/8" Drive 12 Point Standard SAE Socket 5/8"
80104D	1/4" Drive 6 Point Standard SAE Socket 5/32"	80503	3/8" Drive 12 Point Standard SAE Socket 11/16"
80105	1/4" Drive 6 Point Standard SAE Socket 3/16"	80504	3/8" Drive 12 Point Standard SAE Socket 3/4"
80106	1/4" Drive 6 Point Standard SAE Socket 7/32"	80505	3/8" Drive 12 Point Standard SAE Socket 13/16"
80107	1/4" Drive 6 Point Standard SAE Socket 1/4"	80506D	3/8" Drive 12 Point Standard SAE Socket 7/8"
80108	1/4" Drive 6 Point Standard SAE Socket 9/32"	80485	3/8" Drive 12 Point Standard Metric Socket 9mm
80109	1/4" Drive 6 Point Standard SAE Socket 5/16"	80486	3/8" Drive 12 Point Standard Metric Socket 10mm
80110	1/4" Drive 6 Point Standard SAE Socket 11/32"	80487	3/8" Drive 12 Point Standard Metric Socket 11mm
80111	1/4" Drive 6 Point Standard SAE Socket 3/8"	80488	3/8" Drive 12 Point Standard Metric Socket 12mm
80112	1/4" Drive 6 Point Standard SAE Socket 7/16"	80489	3/8" Drive 12 Point Standard Metric Socket 13mm
80113D	1/4" Drive 6 Point Standard SAE Socket 1/2"	80490	3/8" Drive 12 Point Standard Metric Socket 14mm
80114D	1/4" Drive 6 Point Standard SAE Socket 9/16"	80491	3/8" Drive 12 Point Standard Metric Socket 15mm
80125	1/4" Drive 6 Point Standard Metric Socket 4mm	80492	3/8" Drive 12 Point Standard Metric Socket 16mm
80126	1/4" Drive 6 Point Standard Metric Socket 5mm	80493	3/8" Drive 12 Point Standard Metric Socket 17mm
80127	1/4" Drive 6 Point Standard Metric Socket 5.5mm	80494	3/8" Drive 12 Point Standard Metric Socket 18mm
80128	1/4" Drive 6 Point Standard Metric Socket 6mm	80495	3/8" Drive 12 Point Standard Metric Socket 19mm
80129	1/4" Drive 6 Point Standard Metric Socket 7mm	80402	3/8" Drive 6 Point 2-1/2" Spark Plug Socket 5/8"
80130	1/4" Drive 6 Point Standard Metric Socket 8mm	80480	1/4" Bit Adapter 1/4" Drive
80131D	1/4" Drive 6 Point Standard Metric Socket 9mm	-	#1 Phillips® Bit
80132	1/4" Drive 6 Point Standard Metric Socket 10mm	-	#2 Phillips® Bit
80133	1/4" Drive 6 Point Standard Metric Socket 11mm	-	#3 Phillips® Bit
80134	1/4" Drive 6 Point Standard Metric Socket 12mm	-	4mm Slotted Bit

Cat. No.	Description	Cat. No.	Description
-	5mm Slotted Bit	-	1/2" Nutdriver Bit
-	6mm Slotted Bit	-	5mm Nutdriver Bit
-	3/16" Nutdriver Bit	-	6mm Nutdriver Bit
-	1/4" Nutdriver Bit	-	7mm Nutdriver Bit
-	5/16" Nutdriver Bit	-	8mm Nutdriver Bit
-	11/32" Nutdriver Bit	-	9mm Nutdriver Bit
-	3/8" Nutdriver Bit	-	10mm Nutdriver Bit
-	7/16" Nutdriver Bit	-	11mm Nutdriver Bit

### 76 Pc. 1/4", and 3/8" Drive 12 Point SAE/Metric Mechanics Tool Set

- Full polish chrome SAE and metric 1/4" and 3/8" standard and deep sockets
- 84 tooth quick release full polish chrome teardrop ratchets, with flush-mounted on/off lever
- Sockets feature off-corner loading design to reduce fastener rounding
- Double line (SAE) or knurled (metric) ring to easily identify standard vs. metric sockets
- Extension bars feature a knurled grip, providing a non slip surface
- Bright, full polish chrome finish easily wipes clean and resists corrosion
- Includes blow mold case for storage and organization



Cat. No.	Included Storage	Product Weight
80948	Blow Mold Case	12.400 lb



Cat. No.	Description	Cat. No.	Description
81011F	1/4" Drive 84 Tooth Teardrop Ratchet 5"	80197	1/4" Drive 12 Point Standard Metric Socket 4mm
81211F	3/8" Drive 84 Tooth Teardrop Ratchet 8-1/4"	80198	1/4" Drive 12 Point Standard Metric Socket 5mm
81114D	1/4" Drive Extension 4"	80199	1/4" Drive 12 Point Standard Metric Socket 5.5mm
81242	3/8" Drive Extension 6"	80200	1/4" Drive 12 Point Standard Metric Socket 6mm
81127	1/4" Drive 1/4" F x 3/8" M Adapter	80201	1/4" Drive 12 Point Standard Metric Socket 7mm
81277	3/8" Drive 3/8" F x 1/4" M Adapter	80202	1/4" Drive 12 Point Standard Metric Socket 8mm
80100	1/4" Drive Universal Joint	80203	1/4" Drive 12 Point Standard Metric Socket 9mm
80549	3/8" Drive Universal Joint	80204	1/4" Drive 12 Point Standard Metric Socket 10mm
80210	1/4" Drive 12 Point Standard SAE Socket 3/16"	80205	1/4" Drive 12 Point Standard Metric Socket 11mm
80211	1/4" Drive 12 Point Standard SAE Socket 7/32"	80206	1/4" Drive 12 Point Standard Metric Socket 12mm
80212	1/4" Drive 12 Point Standard SAE Socket 1/4"	80220	1/4" Drive 12 Point Deep SAE Socket 3/16"
80213	1/4" Drive 12 Point Standard SAE Socket 9/32"	80221	1/4" Drive 12 Point Deep SAE Socket 7/32"
80214	1/4" Drive 12 Point Standard SAE Socket 5/16"	80222	1/4" Drive 12 Point Deep SAE Socket 1/4"
80215D	1/4" Drive 12 Point Standard SAE Socket 11/32"	80223D	1/4" Drive 12 Point Deep SAE Socket 9/32"
80216	1/4" Drive 12 Point Standard SAE Socket 3/8"	80224	1/4" Drive 12 Point Deep SAE Socket 5/16"
80217	1/4" Drive 12 Point Standard SAE Socket 7/16"		

Continued on next page



**76 Pc. Mechanics Tool Set** ■ *continued from previous page*

Cat. No.	Description	Cat. No.	Description
80225	1/4" Drive 12 Point Deep SAE Socket 11/32"	80489	3/8" Drive 12 Point Standard Metric Socket 13mm
80226	1/4" Drive 12 Point Deep SAE Socket 3/8"	80490	3/8" Drive 12 Point Standard Metric Socket 14mm
80227	1/4" Drive 12 Point Deep SAE Socket 7/16"	80491	3/8" Drive 12 Point Standard Metric Socket 15mm
80230	1/4" Drive 12 Point Deep Metric Socket 4mm	80492	3/8" Drive 12 Point Standard Metric Socket 16mm
80231	1/4" Drive 12 Point Deep Metric Socket 5mm	80493	3/8" Drive 12 Point Standard Metric Socket 17mm
80232	1/4" Drive 12 Point Deep Metric Socket 5.5mm	80494	3/8" Drive 12 Point Standard Metric Socket 18mm
80233	1/4" Drive 12 Point Deep Metric Socket 6mm	80495	3/8" Drive 12 Point Standard Metric Socket 19mm
80234	1/4" Drive 12 Point Deep Metric Socket 7mm	80513	3/8 Drive 12 Point Deep SAE Socket 1/2"
80235	1/4" Drive 12 Point Deep Metric Socket 8mm	80514	3/8 Drive 12 Point Deep SAE Socket 9/16"
80236	1/4" Drive 12 Point Deep Metric Socket 9mm	80515D	3/8 Drive 12 Point Deep SAE Socket 5/8"
80237	1/4" Drive 12 Point Deep Metric Socket 10mm	80516	3/8 Drive 12 Point Deep SAE Socket 11/16"
80238	1/4" Drive 12 Point Deep Metric Socket 11mm	80517	3/8 Drive 12 Point Deep SAE Socket 3/4"
80239D	1/4" Drive 12 Point Deep Metric Socket 12mm	80518	3/8 Drive 12 Point Deep SAE Socket 13/16"
80500D	3/8" Drive 12 Point Standard SAE Socket 1/2"	80519	3/8 Drive 12 Point Deep SAE Socket 7/8"
80501	3/8" Drive 12 Point Standard SAE Socket 9/16"	80594	3/8 Drive 12 Point Deep SAE Socket 15/16"
80502	3/8" Drive 12 Point Standard SAE Socket 5/8"	80595	3/8 Drive 12 Point Deep SAE Socket 1"
80503	3/8" Drive 12 Point Standard SAE Socket 11/16"	80527	3/8 Drive 12 Point Deep Metric Socket 13mm
80504	3/8" Drive 12 Point Standard SAE Socket 3/4"	80528	3/8 Drive 12 Point Deep Metric Socket 14mm
80505	3/8" Drive 12 Point Standard SAE Socket 13/16"	80529	3/8 Drive 12 Point Deep Metric Socket 15mm
80506D	3/8" Drive 12 Point Standard SAE Socket 7/8"	80530	3/8 Drive 12 Point Deep Metric Socket 16mm
80507	3/8" Drive 12 Point Standard SAE Socket 15/16"	80531	3/8 Drive 12 Point Deep Metric Socket 17mm
80508	3/8" Drive 12 Point Standard SAE Socket 1"	80532	3/8 Drive 12 Point Deep Metric Socket 18mm
		80533	3/8 Drive 12 Point Deep Metric Socket 19mm

**68 Pc. 1/4" and 3/8" Drive 6 and 12 Point SAE/Metric Mechanics Tool Set**

- 84 tooth ratchet mechanism offers a 4.3° swing arc for easy access
- Sockets feature off-corner loading design to reduce fastener rounding
- Bright, full polish chrome finish easily wipes clean and resists corrosion
- Extension bars feature a knurled grip, providing a non slip surface
- Includes blow mold case for storage and organization
- Meets or exceeds ASME specifications



Cat. No.	Included Storage	Product Weight
83000	Blow Mold Case	9.90 lb

Cat. No.	Description	Cat. No.	Description
81011F	1/4" Drive 84 Tooth Teardrop Ratchet 5"	80198	1/4" Drive 12 Point Standard Metric Socket 5mm
81211F	3/8" Drive 84 Tooth Teardrop Ratchet 8-1/4"	80200	1/4" Drive 12 Point Standard Metric Socket 6mm
81101	1/4" Drive Extension 2"	80201	1/4" Drive 12 Point Standard Metric Socket 7mm
81116	1/4" Drive Extension 6"	80202	1/4" Drive 12 Point Standard Metric Socket 8mm
81241	3/8" Drive Extension 3"	80203	1/4" Drive 12 Point Standard Metric Socket 9mm
81242	3/8" Drive Extension 6"	80204	1/4" Drive 12 Point Standard Metric Socket 10mm
80115	1/4" Drive 6 Point Deep SAE Socket 3/16"	80205	1/4" Drive 12 Point Standard Metric Socket 11mm
80116D	1/4" Drive 6 Point Deep SAE Socket 7/32"	80206	1/4" Drive 12 Point Standard Metric Socket 12mm
80117	1/4" Drive 6 Point Deep SAE Socket 1/4"	80365	3/8" Drive 6 Point Deep SAE Socket 3/8"
80118	1/4" Drive 6 Point Deep SAE Socket 9/32"	80366	3/8" Drive 6 Point Deep SAE Socket 7/16"
80119	1/4" Drive 6 Point Deep SAE Socket 5/16"	80367	3/8" Drive 6 Point Deep SAE Socket 1/2"
80120D	1/4" Drive 6 Point Deep SAE Socket 11/32"	80368	3/8" Drive 6 Point Deep SAE Socket 9/16"
80121	1/4" Drive 6 Point Deep SAE Socket 3/8"	80369	3/8" Drive 6 Point Deep SAE Socket 5/8"
80122D	1/4" Drive 6 Point Deep SAE Socket 7/16"	80370D	3/8" Drive 6 Point Deep SAE Socket 11/16"
80123	1/4" Drive 6 Point Deep SAE Socket 1/2"	80371	3/8" Drive 6 Point Deep SAE Socket 3/4"
80141	1/4" Drive 6 Point Deep Metric Socket 6mm	80372	3/8" Drive 6 Point Deep SAE Socket 13/16"
80142	1/4" Drive 6 Point Deep Metric Socket 7mm	80498	3/8" Drive 12 Point Standard SAE Socket 3/8"
80143	1/4" Drive 6 Point Deep Metric Socket 8mm	80499	3/8" Drive 12 Point Standard SAE Socket 7/16"
80144	1/4" Drive 6 Point Deep Metric Socket 9mm	80500D	3/8" Drive 12 Point Standard SAE Socket 1/2"
80145	1/4" Drive 6 Point Deep Metric Socket 10mm	80501	3/8" Drive 12 Point Standard SAE Socket 9/16"
80146D	1/4" Drive 6 Point Deep Metric Socket 11mm	80502	3/8" Drive 12 Point Standard SAE Socket 5/8"
80147	1/4" Drive 6 Point Deep Metric Socket 12mm	80503	3/8" Drive 12 Point Standard SAE Socket 11/16"
80148	1/4" Drive 6 Point Deep Metric Socket 13mm	80504	3/8" Drive 12 Point Standard SAE Socket 3/4"
80149	1/4" Drive 6 Point Deep Metric Socket 14mm	80505	3/8" Drive 12 Point Standard SAE Socket 13/16"
80210	1/4" Drive 12 Point Standard SAE Socket 3/16"	80506D	3/8" Drive 12 Point Standard SAE Socket 7/8"
80211	1/4" Drive 12 Point Standard SAE Socket 7/32"	80485	3/8" Drive 12 Point Standard Metric Socket 9mm
80212	1/4" Drive 12 Point Standard SAE Socket 1/4"	80486	3/8" Drive 12 Point Standard Metric Socket 10mm
80213	1/4" Drive 12 Point Standard SAE Socket 9/32"	80487	3/8" Drive 12 Point Standard Metric Socket 11mm
80214	1/4" Drive 12 Point Standard SAE Socket 5/16"	80488	3/8" Drive 12 Point Standard Metric Socket 12mm
80215D	1/4" Drive 12 Point Standard SAE Socket 11/32"	80489	3/8" Drive 12 Point Standard Metric Socket 13mm
80216	1/4" Drive 12 Point Standard SAE Socket 3/8"	80490	3/8" Drive 12 Point Standard Metric Socket 14mm
80217	1/4" Drive 12 Point Standard SAE Socket 7/16"	80491	3/8" Drive 12 Point Standard Metric Socket 15mm
80218	1/4" Drive 12 Point Standard SAE Socket 1/2"	80492	3/8" Drive 12 Point Standard Metric Socket 16mm
80197	1/4" Drive 12 Point Standard Metric Socket 4mm	80493	3/8" Drive 12 Point Standard Metric Socket 17mm

### 84 Pc. 1/4", 3/8", and 1/2" Drive Hex and Torx® Bit Socket Set

- Set contains hex, ball end hex, Torx® bit sockets, external Torx® bit sockets, tamper proof Torx® bit sockets
- Large, hard-stamped markings offer easy size identification
- Heat treated socket bases for durability
- Bright, full polish chrome finish easily wipes clean and resists corrosion
- Bits made of S2 steel for strength and durability
- Black oxide finish is corrosion resistant on External Torx sockets
- For use with manual drive tools only
- Includes blow mold case for storage and organization
- Hex bit sockets meet or exceed ASME specifications



Cat. No.	Included Storage	Product Weight
80742	Blow Mold Case	12.465 lb



Cat. No.	Description	Cat. No.	Description
-	1/4" Drive Hex Bit Socket 1/8"	-	1/4" Drive Tamper-Proof Torx® Bit Socket T20
-	1/4" Drive Hex Bit Socket 9/64"	-	1/4" Drive Tamper-Proof Torx® Bit Socket T25
-	1/4" Drive Hex Bit Socket 5/32"	-	1/4" Drive Tamper-Proof Torx® Bit Socket T27
-	1/4" Drive Hex Bit Socket 3/16"	-	1/4" Drive Tamper-Proof Torx® Bit Socket T30
-	1/4" Drive Hex Bit Socket 7/32"	-	3/8" Drive Hex Bit Socket 7/32"
-	1/4" Drive Hex Bit Socket 1/4"	-	3/8" Drive Hex Bit Socket, 1/4"
-	1/4" Drive Hex Bit Socket 2.5mm	-	3/8" Drive Hex Bit Socket 5/16"
-	1/4" Drive Hex Bit Socket 3mm	-	3/8" Drive Hex Bit Socket 3/8"
-	1/4" Drive Hex Bit Socket 4mm	-	3/8" Drive Hex Bit Socket 6mm
-	1/4" Drive Hex Bit Socket 5mm	-	3/8" Drive Hex Bit Socket 7mm
-	1/4" Drive Hex Bit Socket 6mm	-	3/8" Drive Hex Bit Socket 8mm
-	1/4" Drive Torx® Bit Socket T8	-	3/8" Drive Hex Bit Socket 9mm
-	1/4" Drive Torx® Bit Socket T10	-	3/8" Drive Hex Bit Socket 10mm
-	1/4" Drive Torx® Bit Socket T15	-	3/8" Drive Torx® Bit Socket T30
-	1/4" Drive Torx® Bit Socket T20	-	3/8" Drive Torx® Bit Socket T40
-	1/4" Drive Torx® Bit Socket T25	-	3/8" Drive Torx® Bit Socket T45
-	1/4" Drive Torx® Bit Socket T27	-	3/8" Drive Torx® Bit Socket T50
-	1/4" Drive Long Torx® Bit Socket T8	-	3/8" Drive Torx® Bit Socket T55
-	1/4" Drive Long Torx® Bit Socket T10	-	3/8" Drive Long Torx® Bit Socket T40
-	1/4" Drive Long Torx® Bit Socket T15	-	3/8" Drive Long Torx® Bit Socket T45
-	1/4" Drive Long Torx® Bit Socket T20	-	3/8" Drive Long Torx® Bit Socket T50
-	1/4" Drive Long Torx® Bit Socket T25	-	3/8" Drive Long Ball Hex Bit Socket 4mm
-	1/4" Drive Long Torx® Bit Socket T27	-	3/8" Drive Long Ball Hex Bit Socket 5mm
-	1/4" Drive Long Torx® Bit Socket T30	-	3/8" Drive Long Ball Hex Bit Socket 6mm
-	1/4" Drive External Torx® Bit Socket E4	-	3/8" Drive Long Ball Hex Bit Socket 7mm
-	1/4" Drive External Torx® Bit Socket E5	-	3/8" Drive Long Ball Hex Bit Socket 8mm
-	1/4" Drive External Torx® Bit Socket E6	-	3/8" Drive Long Ball Hex Bit Socket 9mm
-	1/4" Drive External Torx® Bit Socket E7	-	3/8" Drive Long Ball Hex Bit Socket 10mm
-	1/4" Drive External Torx® Bit Socket E8	-	3/8" Drive External Torx® Bit Socket E10
-	1/4" Drive Tamper-Proof Torx® Bit Socket T8	-	3/8" Drive External Torx® Bit Socket E12
-	1/4" Drive Tamper-Proof Torx® Bit Socket T10	-	3/8" Drive External Torx® Bit Socket E14
-	1/4" Drive Tamper-Proof Torx® Bit Socket T15	-	3/8" Drive External Torx® Bit Socket E16

Cat. No.	Description	Cat. No.	Description
-	3/8" Drive Tamper-Proof Torx® Bit Socket T40	-	1/2" Drive Hex Bit Socket 12mm
-	3/8" Drive Tamper-Proof Torx® Bit Socket T45	-	1/2" Drive Hex Bit Socket 14mm
-	3/8" Drive Tamper-Proof Torx® Bit Socket T50	-	1/2" Drive Hex Bit Socket 17mm
-	3/8" Drive Tamper-Proof Torx® Bit Socket T55	-	1/2" Drive Hex Bit Socket 19mm
-	1/2" Drive Hex Bit Socket 7/16"	-	1/2" Drive Torx® Bit Socket, T50
-	1/2" Drive Hex Bit Socket 1/2"	-	1/2" Drive External Torx® Bit Socket E18
-	1/2" Drive Hex Bit Socket 9/16"	-	1/2" Drive External Torx® Bit Socket E20
-	1/2" Drive Hex Bit Socket 5/8"	-	1/2" Drive External Torx® Bit Socket E22
-	1/2" Drive Hex Bit Socket 3/4"	-	1/2" Drive External Torx® Bit Socket E24
-	1/2" Drive Hex Bit Socket 10mm	-	1/2" Drive Tamper-Proof Torx® Bit Socket T60

### 36 Pc. 1/4", 3/8", and 1/2" Drive Hex and Torx® Bit Socket Set

- Heat treated for maximum durability
- Bits made of S2 steel for strength and durability
- Bright, full polish chrome finish easily wipes clean and resists corrosion
- Hard stamped size markings
- Includes socket rail for storage and organization
- Meets or exceeds ASME specifications



Cat. No.	Included Storage	Product Weight
80726	Blow Mold Case	3.86 lb



Cat. No.	Description	Cat. No.	Description
80172	1/4" Drive Torx® Bit Socket T10	80463	3/8" Drive External Torx® Socket E16
80173	1/4" Drive Torx® Bit Socket T15	80416	3/8" Drive Hex Bit SAE Socket 5/32"
80174	1/4" Drive Torx® Bit Socket T20	80417	3/8" Drive Hex Bit SAE Socket 3/16"
80175	1/4" Drive Torx® Bit Socket T25	80418	3/8" Drive Hex Bit SAE Socket 7/32"
80176D	1/4" Drive Torx® Bit Socket T27	80419	3/8" Drive Hex Bit SAE Socket 1/4"
80177D	1/4" Drive Torx® Bit Socket T30	80420	3/8" Drive Hex Bit SAE Socket 5/16"
80187	1/4" Drive External Torx® Socket E5	80421	3/8" Drive Hex Bit SAE Socket 3/8"
80188D	1/4" Drive External Torx® Socket E6	80422	3/8" Drive Hex Bit Metric Socket 2mm
80189	1/4" Drive External Torx® Socket E7	80423	3/8" Drive Hex Bit Metric Socket 2.5mm
80190	1/4" Drive External Torx® Socket E8	80424	3/8" Drive Hex Bit Metric Socket 3mm
80451	3/8" Drive Torx® Bit Socket T40	80425	3/8" Drive Hex Bit Metric Socket 4mm
80452	3/8" Drive Torx® Bit Socket T45	80426	3/8" Drive Hex Bit Metric Socket 5mm
80453	3/8" Drive Torx® Bit Socket T47	80427	3/8" Drive Hex Bit Metric Socket 6mm
80454	3/8" Drive Torx® Bit Socket T50	80428D	3/8" Drive Hex Bit Metric Socket 7mm
80455	3/8" Drive Torx® Bit Socket T55	80429	3/8" Drive Hex Bit Metric Socket 8mm
80460	3/8" Drive External Torx® Socket E10	80430	3/8" Drive Hex Bit Metric Socket 9mm
80461	3/8" Drive External Torx® Socket E12	80431	3/8" Drive Hex Bit Metric Socket 10mm
80462	3/8" Drive External Torx® Socket E14	80669D	1/2" Drive External Torx® Socket E18



### 10 Pc. 3/8" and 1/2" Drive SAE Hex Bit Socket Set

- Heat treated for maximum durability
- Bits made of S2 steel for strength and durability
- Bright, full polish chrome finish easily wipes clean and resists corrosion
- Hard stamped size markings
- Includes socket rail for storage and organization
- Meets or exceeds ASME specifications



SAE



Cat. No.	Included Storage	Product Weight
80579	Socket Rail	1.99 lb

Cat. No.	Description	Cat. No.	Description
80414	3/8" Drive Hex Bit SAE Socket 1/8"	80420	3/8" Drive Hex Bit SAE Socket 5/16"
80416	3/8" Drive Hex Bit SAE Socket 5/32"	80421	3/8" Drive Hex Bit SAE Socket 3/8"
80417	3/8" Drive Hex Bit SAE Socket 3/16"	80654	1/2" Drive Hex Bit SAE Socket 1/2"
80418	3/8" Drive Hex Bit SAE Socket 7/32"	80655	1/2" Drive Hex Bit SAE Socket 9/16"
80419	3/8" Drive Hex Bit SAE Socket 1/4"	80656	1/2" Drive Hex Bit SAE Socket 5/8"

### 10 Pc. 3/8" and 1/2" Drive Metric Hex Bit Socket Set

- Heat treated for maximum durability
- Bits made of S2 steel for strength and durability
- Bright, full polish chrome finish easily wipes clean and resists corrosion
- Hard stamped size markings
- Includes socket rail for storage and organization
- Meets or exceeds ASME specifications



mm



Cat. No.	Included Storage	Product Weight
80578	Socket Rail	1.89 lb

Cat. No.	Description	Cat. No.	Description
80425	3/8" Drive Hex Bit Metric Socket 4mm	80430	3/8" Drive Hex Bit Metric Socket 9mm
80426	3/8" Drive Hex Bit Metric Socket 5mm	80431	3/8" Drive Hex Bit Metric Socket 10mm
80427	3/8" Drive Hex Bit Metric Socket 6mm	80661	1/2" Drive Hex Bit Metric Socket 12mm
80428D	3/8" Drive Hex Bit Metric Socket 7mm	80662	1/2" Drive Hex Bit Metric Socket 14mm
80429	3/8" Drive Hex Bit Metric Socket 8mm	80663	1/2" Drive Hex Bit Metric Socket 17mm

### 36 Pc. 1/4", 3/8", and 1/2" Drive Torx® Bit Socket Set

- Set contains Torx® bit sockets, external Torx® bit sockets, tamper proof Torx® bit sockets
- Large, hard stamped markings offer easy size identification
- Heat treated socket bases for durability
- Bright, full polish chrome finish easily wipes clean and resists corrosion
- Bits made of S2 steel for strength and durability
- Black oxide finish is corrosion resistant on External Torx® sockets
- For use with manual drive tools only
- Includes blow mold case for storage and organization



Cat. No.	Included Storage	Product Weight
80728	Blow Mold Case	3.640 lb



Cat. No.	Description	Cat. No.	Description
-	1/4" Drive Torx® Bit Socket T8	-	1/4" Drive External Torx® Bit Socket E7
-	1/4" Drive Torx® Bit Socket T10	-	1/4" Drive External Torx® Bit Socket E8
-	1/4" Drive Torx® Bit Socket T15	-	3/8" Drive Torx® Bit Socket T40
-	1/4" Drive Torx® Bit Socket T20	-	3/8" Drive Torx® Bit Socket T45
-	1/4" Drive Torx® Bit Socket T25	-	3/8" Drive Torx® Bit Socket T47
-	1/4" Drive Torx® Bit Socket T27	-	3/8" Drive Torx® Bit Socket T50
-	1/4" Drive Torx® Bit Socket T30	-	3/8" Drive Torx® Bit Socket T55
-	1/4" Drive Tamper-Proof Torx® Bit Socket T7	-	3/8" Drive Tamper-Proof Torx® Bit Socket T40
-	1/4" Drive Tamper-Proof Torx® Bit Socket T8	-	3/8" Drive Tamper-Proof Torx® Bit Socket T45
-	1/4" Drive Tamper-Proof Torx® Bit Socket T10	-	3/8" Drive Tamper-Proof Torx® Bit Socket T50
-	1/4" Drive Tamper-Proof Torx® Bit Socket T15	-	3/8" Drive Tamper-Proof Torx® Bit Socket T55
-	1/4" Drive Tamper-Proof Torx® Bit Socket T20	-	3/8" Drive External Torx® Bit Socket E10
-	1/4" Drive Tamper-Proof Torx® Bit Socket T25	-	3/8" Drive External Torx® Bit Socket E12
-	1/4" Drive Tamper-Proof Torx® Bit Socket T27	-	3/8" Drive External Torx® Bit Socket E14
-	1/4" Drive Tamper-Proof Torx® Bit Socket T30	-	3/8" Drive External Torx® Bit Socket E16
-	1/4" Drive External Torx® Bit Socket E4	-	1/2" Drive Torx® Bit Socket, T50
-	1/4" Drive External Torx® Bit Socket E5	-	1/2" Drive External Torx® Bit Socket E18
-	1/4" Drive External Torx® Bit Socket E6	-	1/2" Drive External Torx® Bit Socket E20

### 13 Pc. 1/4", 3/8", and 1/2" Drive Torx® Bit Socket Set

- Heat treated for maximum durability
- Bits made of S2 steel for strength and durability
- Bright, full polish chrome finish easily wipes clean and resists corrosion
- Hard stamped size markings
- Includes socket rail for storage and organization
- Meets or exceeds ASME specifications



Cat. No.	Included Storage	Product Weight
80723	Socket Rail	1.32 lb

Cat. No.	Description	Cat. No.	Description
80171	1/4" Drive Torx® Bit Socket T8	80451	3/8" Drive Torx® Bit Socket T40
80172	1/4" Drive Torx® Bit Socket T10	80452	3/8" Drive Torx® Bit Socket T45
80173	1/4" Drive Torx® Bit Socket T15	80453	3/8" Drive Torx® Bit Socket T47
80174	1/4" Drive Torx® Bit Socket T20	80454	3/8" Drive Torx® Bit Socket T50
80175	1/4" Drive Torx® Bit Socket T25	80455	3/8" Drive Torx® Bit Socket T55
80176D	1/4" Drive Torx® Bit Socket T27	80667	1/2" Drive Torx® Bit Socket T60
80177D	1/4" Drive Torx® Bit Socket T30		

### 10 Pc. 1/4" and 3/8" Drive Torx® Bit Socket Set

- Heat treated for maximum durability
- Bits made of S2 steel for strength and durability
- Bright, full polish chrome finish easily wipes clean and resists corrosion
- Hard stamped size markings
- Includes socket rail for storage and organization
- Meets or exceeds ASME specifications



Cat. No.	Included Storage	Product Weight
80722	Socket Rail	0.98 lb

Cat. No.	Description	Cat. No.	Description
80172	1/4" Drive Torx® Bit Socket T10	80177D	1/4" Drive Torx® Bit Socket T30
80173	1/4" Drive Torx® Bit Socket T15	80451	3/8" Drive Torx® Bit Socket T40
80174	1/4" Drive Torx® Bit Socket T20	80452	3/8" Drive Torx® Bit Socket T45
80175	1/4" Drive Torx® Bit Socket T25	80454	3/8" Drive Torx® Bit Socket T50
80176D	1/4" Drive Torx® Bit Socket T27	80455	3/8" Drive Torx® Bit Socket T55

### 10 Pc. 1/4" and 3/8" Drive Long Torx® Bit Socket Set

- Bright, full polish chrome finish easily wipes clean and resists corrosion
- Hard stamped size markings
- All bit sockets 6" in length
- Includes socket rail for storage and organization
- Meets or exceeds ASME specifications



Cat. No.	Included Storage	Product Weight
80588	Socket Rail	1.65 lb

Cat. No.	Description	Cat. No.	Description
82510	1/4" Drive Long Torx® Bit Socket T8	82515	1/4" Drive Long Torx® Bit Socket T27
82511	1/4" Drive Long Torx® Bit Socket T10	82516	1/4" Drive Long Torx® Bit Socket T30
82512	1/4" Drive Long Torx® Bit Socket T15	82517	3/8" Drive Long Torx® Bit Socket T40
82513	1/4" Drive Long Torx® Bit Socket T20	82518	3/8" Drive Long Torx® Bit Socket T45
82514	1/4" Drive Long Torx® Bit Socket T25	82519	3/8" Drive Long Torx® Bit Socket T50

### 13 Pc. 1/4", 3/8" and 1/2" Drive Torx® Stubby Bit Socket Set

- Reduced overall bit length provides better access in tight spaces
- Heat-treated socket base for durability
- S2 steel insert bits offer maximum strength
- Hard stamped size markings
- Bright, full polish chrome finish easily wipes clean and resists corrosion
- Includes socket rail for storage and organization
- Meets or exceeds ASME specifications



Cat. No.	Included Storage	Product Weight
80898	Socket Rail	1.13 lb

Cat. No.	Description	Cat. No.	Description
80883	1/4" Drive Stubby Torx® Bit Socket T8	80890	3/8" Drive Stubby Torx® Bit Socket T40
80884	1/4" Drive Stubby Torx® Bit Socket T10	80891	3/8" Drive Stubby Torx® Bit Socket T45
80885	1/4" Drive Stubby Torx® Bit Socket T15	80892	3/8" Drive Stubby Torx® Bit Socket T47
80886	1/4" Drive Stubby Torx® Bit Socket T20	80893	3/8" Drive Stubby Torx® Bit Socket T50
80887	1/4" Drive Stubby Torx® Bit Socket T25	80894	1/2" Drive Stubby Torx® Bit Socket T55
80888	1/4" Drive Stubby Torx® Bit Socket T27	80896	1/2" Drive Stubby Torx® Bit Socket T60
80889	1/4" Drive Stubby Torx® Bit Socket T30		



### 10 Pc. 1/4" and 3/8" Drive Torx® Stubby Bit Driver Set

- Short overall length provides better access in tight spaces
- S2 steel for strength and durability
- Hard stamped size markings
- Satin finish for corrosion protection and simple cleaning
- Compact design provides additional access compared to standard bit sockets
- Includes socket rail for storage and organization



Cat. No.	Included Storage	Product Weight
81196	Socket Rail	0.46 lb

Cat. No.	Description	Cat. No.	Description
81184	1/4" Drive Stubby Torx® Bit Driver Socket T10	81189	1/4" Drive Stubby Torx® Bit Driver Socket T30
81185	1/4" Drive Stubby Torx® Bit Driver Socket T15	81190	1/4" Drive Stubby Torx® Bit Driver Socket T40
81186	1/4" Drive Stubby Torx® Bit Driver Socket T20	81191	3/8" Drive Stubby Torx® Bit Driver Socket T45
81187	1/4" Drive Stubby Torx® Bit Driver Socket T25	81192	3/8" Drive Stubby Torx® Bit Driver Socket T47
81188	1/4" Drive Stubby Torx® Bit Driver Socket T27	81193	3/8" Drive Stubby Torx® Bit Driver Socket T50

### 13 Pc. 1/4", 3/8", and 1/2" Drive Torx® Tamper Proof Bit Socket Set

- Heat treated for maximum durability
- Bits made of S2 steel for strength and durability
- Bright, full polish chrome finish easily wipes clean and resists corrosion
- Hard stamped size markings
- Includes socket rail for storage and organization
- Meets or exceeds ASME specifications



Cat. No.	Included Storage	Product Weight
80725	Socket Rail	1.38 lb

Cat. No.	Description	Cat. No.	Description
80178	1/4" Drive Tamper-Proof Torx® Bit Socket T7	80185	1/4" Drive Tamper-Proof Torx® Bit Socket T30
80179	1/4" Drive Tamper-Proof Torx® Bit Socket T8	80456D	3/8" Drive Tamper-Proof Torx® Bit Socket T40
80180	1/4" Drive Tamper-Proof Torx® Bit Socket T10	80457	3/8" Drive Tamper-Proof Torx® Bit Socket T45
80181	1/4" Drive Tamper-Proof Torx® Bit Socket T15	80458	3/8" Drive Tamper-Proof Torx® Bit Socket T50
80182	1/4" Drive Tamper-Proof Torx® Bit Socket T20	80459	3/8" Drive Tamper-Proof Torx® Bit Socket T55
80183	1/4" Drive Tamper-Proof Torx® Bit Socket T25	80668	1/2" Drive Tamper-Proof Torx® Bit Sockets T60
80184	1/4" Drive Tamper-Proof Torx® Bit Socket T27		

### 11 Pc. 1/4" and 3/8" Drive Universal Stubby Tamper Proof Torx® Bit Socket Set

- For use with tamper proof security fasteners
- Universal joint allows for greater access
- Bits made of S2 steel for strength and durability
- Hard stamped size markings
- Bright, full polish chrome finish easily wipes clean and resists corrosion
- Includes socket rail for storage and organization



Cat. No.	Included Storage	Product Weight
81052	Socket Rail	1.30 lb

Cat. No.	Description	Cat. No.	Description
81040	1/4" Drive Universal Stubby Tamper Proof Torx® Bit Socket T8	81046	1/4" Drive Universal Stubby Tamper Proof Torx® Bit Socket T30
81041	1/4" Drive Universal Stubby Tamper Proof Torx® Bit Socket T10	81047	3/8" Drive Universal Stubby Tamper Proof Torx® Bit Socket T40
81042	1/4" Drive Universal Stubby Tamper Proof Torx® Bit Socket T15	81048	3/8" Drive Universal Stubby Tamper Proof Torx® Bit Socket T45
81043	1/4" Drive Universal Stubby Tamper Proof Torx® Bit Socket T20	81049	3/8" Drive Universal Stubby Tamper Proof Torx® Bit Socket T50
81044	1/4" Drive Universal Stubby Tamper Proof Torx® Bit Socket T25	81050	3/8" Drive Universal Stubby Tamper Proof Torx® Bit Socket T55
81045	1/4" Drive Universal Stubby Tamper Proof Torx® Bit Socket T27		

### 13 Pc. 1/4", 3/8", and 1/2" Drive External Torx® Socket Set

- For use with external torx fasteners
- Black oxide finish is corrosion resistant
- Heat treated socket for durability
- Hard stamped size markings
- For use with manual drive tools only
- Includes socket rail for storage and organization



Cat. No.	Included Storage	Product Weight
80583	Socket Rail	2.08 lb

Cat. No.	Description	Cat. No.	Description
80186	1/4" Drive External Torx® Socket E4	80462	3/8" Drive External Torx® Socket E14
80187	1/4" Drive External Torx® Socket E5	80463	3/8" Drive External Torx® Socket E16
80188D	1/4" Drive External Torx® Socket E6	80669D	1/2" Drive External Torx® Socket E18
80189	1/4" Drive External Torx® Socket E7	80670	1/2" Drive External Torx® Socket E20
80190	1/4" Drive External Torx® Socket E8	80672	1/2" Drive External Torx® Socket E22
80460	3/8" Drive External Torx® Socket E10	80673	1/2" Drive External Torx® Socket E24
80461	3/8" Drive External Torx® Socket E12		

### 10 Pc. 1/4", 3/8", and 1/2" Drive External Torx® Socket Set

- For use with external torx fasteners
- Black oxide finish is corrosion resistant
- Heat treated socket for durability
- Hard stamped size markings
- For use with manual drive tools only
- Includes socket rail for storage and organization



Cat. No.	Included Storage	Product Weight
80582	Socket Rail	1.59 lb

Cat. No.	Description	Cat. No.	Description
80186	1/4" Drive External Torx® Socket E4	80460	3/8" Drive External Torx® Socket E10
80187	1/4" Drive External Torx® Socket E5	80461	3/8" Drive External Torx® Socket E12
80188D	1/4" Drive External Torx® Socket E6	80462	3/8" Drive External Torx® Socket E14
80189	1/4" Drive External Torx® Socket E7	80463	3/8" Drive External Torx® Socket E16
80190	1/4" Drive External Torx® Socket E8	80669D	1/2" Drive External Torx® Socket E18

### 4 Pc. 3/8" and 1/2" Drive Triple Square Bit Socket Set

- Heat treated for maximum durability
- Bits made of S2 steel for strength and durability
- Bright, full polish chrome finish easily wipes clean and resists corrosion
- Hard stamped size markings
- Includes socket rail for storage and organization
- Meets or exceeds ASME specifications



Cat. No.	Included Storage	Product Weight
80572	Socket Rail	0.46 lb

Cat. No.	Description	Cat. No.	Description
80449	3/8" Drive Triple Square Bit Socket 6mm	80665	1/2" Drive Triple Square Bit Socket 10mm
80450	3/8" Drive Triple Square Bit Socket 8mm	80666	1/2" Drive Triple Square Bit Socket 12mm

### 5 Pc. 3/8" and 1/2" Drive Long Triple Square Bit Socket Set

- Longer overall bit length provides better access
- Heat-treated socket base for durability
- S2 steel insert bits offer maximum strength
- Hard stamped size markings
- Bright, full polish chrome finish easily wipes clean and resists corrosion
- Includes socket rail for storage and organization
- Meets or exceeds ASME specifications



Cat. No.	Included Storage	Product Weight
80874	Socket Rail	1.66 lb

Cat. No.	Description	Cat. No.	Description
80868	3/8" Drive Triple Square Bit Socket 8mm	80871	1/2" Drive Triple Square Bit Socket 14mm
80869	1/2" Drive Triple Square Bit Socket 10mm	80872	1/2" Drive Triple Square Bit Socket 16mm
80870	1/2" Drive Triple Square Bit Socket 12mm		

### 6 Pc. 3/8" and 1/2" Drive Triple Square Stubby Bit Socket Set

- Reduced overall bit length provides better access in tight spaces
- Heat-treated socket base for durability
- S2 steel insert bits offer maximum strength
- Hard stamped size markings
- Bright, full polish chrome finish easily wipes clean and resists corrosion
- Includes socket rail for storage and organization
- Meets or exceeds ASME specifications



Cat. No.	Included Storage	Product Weight
80744	Socket Rail	1.50 lb

Cat. No.	Description	Cat. No.	Description
80736	3/8" Drive Stubby Triple Square Bit Socket 8mm	80739	1/2" Drive Stubby Triple Square Bit Socket 14mm
80737	1/2" Drive Stubby Triple Square Bit Socket 10mm	80740	1/2" Drive Stubby Triple Square Bit Socket 16mm
80738	1/2" Drive Stubby Triple Square Bit Socket 12mm	80741	1/2" Drive Stubby Triple Square Bit Socket 18mm



### 9 Pc. 1/4" and 3/8" Drive Triple Square Bit Driver Set

- Short overall length provides better access in tight spaces
- S2 steel for strength and durability
- Hard stamped size markings
- Satin finish for corrosion protection and simple cleaning
- Compact design provides additional access compared to standard bit sockets
- Includes socket rail for storage and organization



Cat. No.	Included Storage	Product Weight
81100	Socket Rail	0.72 lb



Cat. No.	Description	Cat. No.	Description
81090	1/4" Drive Stubby Triple Square Bit Metric Driver Socket 4mm	81095	3/8" Drive Stubby Triple Square Bit Metric Driver Socket 12mm
81091	1/4" Drive Stubby Triple Square Bit Metric Driver Socket 5mm	81096	3/8" Drive Stubby Triple Square Bit Metric Driver Socket 14mm
81092	1/4" Drive Stubby Triple Square Bit Metric Driver Socket 6mm	81097	3/8" Drive Stubby Triple Square Bit Metric Driver Socket 16mm
81093	3/8" Drive Stubby Triple Square Bit Metric Driver Socket 8mm	81098	3/8" Drive Stubby Triple Square Bit Metric Driver Socket 18mm
81094	3/8" Drive Stubby Triple Square Bit Metric Driver Socket 10mm		

### 10 Pc. 1/4" and 3/8" Drive 6 Point 10MM Socket Set

- 5 different styles of sockets ensure you can reach any fastener quickly and easily
- Set includes flex, deep, mid-length, standard and magnetic sockets of the same size
- Bright, full polish chrome finish easily wipes clean and resists corrosion
- Magnetic sockets are chrome molybdenum with manganese phosphate coating to resist corrosion
- Includes socket rail for storage and organization



Cat. No.	Included Storage	Product Weight
80319	Socket Rail	0.985 lb



Cat. No.	Description	Cat. No.	Description
80333	3/8" Drive 6 Point Metric Flex Socket 10mm	80256	1/4" Drive 6 Point Standard Metric Flex Socket 10mm
80392	3/8" Drive 6 Point Deep Metric Socket 10mm	80145	1/4" Drive 6 Point Deep Metric Socket 10mm
80392S	3/8" Drive 6 Point Mid Length Metric Socket 10mm	80145S	1/4" Drive 6 Point Mid Length Metric Socket 10mm
80378	3/8" Drive 6 Point Standard Metric Socket 10mm	80132	1/4" Drive 6 Point Standard Metric Socket 10mm
-	1/4" Drive 6 Point Magnetic Standard Impact Socket 10mm	-	1/4" Drive 6 Point Magnetic Standard Impact Socket 10mm

### 10 Pc. 1/4" and 3/8" Drive 6 Point 12MM Socket Set

- 5 different styles of sockets ensure you can reach any fastener quickly and easily
- Set includes flex, deep, mid-length, standard and magnetic sockets of the same size
- Bright, full polish chrome finish easily wipes clean and resists corrosion
- Magnetic sockets are chrome molybdenum with manganese phosphate coating to resist corrosion
- Includes socket rail for storage and organization



Cat. No.	Included Storage	Product Weight
80576	Socket Rail	1.190 lb



Cat. No.	Description	Cat. No.	Description
80134	1/4" Drive 6 Point Standard Metric Socket 12mm	80380	3/8" Drive 6 Point Standard Metric Socket 12mm
80147S	1/4" Drive 6 Point Mid Length Metric Socket 12mm	80394S	3/8" Drive 6 Point Mid Length Metric Socket 12mm
80147	1/4" Drive 6 Point Deep Metric Socket 12mm	80394D	3/8" Drive 6 Point Deep Metric Socket 12mm
80258	1/4" Drive 6 Point Standard Metric Flex Socket 12mm	80335	3/8" Drive 6 Point Metric Flex Socket 12mm
-	1/4" Drive 6 Point Magnetic Standard Impact Socket 12mm	-	1/4" Drive 6 Point Magnetic Standard Impact Socket 12mm

### 3 Pc. 1/4", 3/8" and 1/2" Drive 120XP™ Full Polish Ratchet Set



- 120XP ratchets have two double stacked 60-tooth pawls (120 positions) providing a 3° swing arc so you can turn fasteners in tighter confines
- Double-stacked pawls alternately engage the 60 tooth gear, providing exceptional strength
- Teardrop, low-profile head and flush-mounted on/off switch allow better access in tight spaces
- Enclosed head design for extreme resistance to dirt infiltration
- Highly visible markings on the head
- Longer reach handle to access hard-to-reach fasteners
- Bright, full polish chrome finish easily wipes clean and resists corrosion
- Meets or exceeds ASME specifications



Cat. No.	Included Storage	Product Weight
81206P	Tray	3.20 lb

Cat. No.	Description
81011P	1/4" Drive 120XP™ Teardrop Ratchet 5"
81211P	3/8" Drive 120XP™ Teardrop Ratchet 8-1/4"
81304P	1/2" Drive 120XP™ Teardrop Ratchet 11"

### 2 Pc. 1/4" and 3/8" Drive 120XP™ Extra Long Handle Full Polish Teardrop Ratchet Set



- 120XP™ ratchets have two double stacked 60-tooth pawls (120 positions) providing a 3° swing arc so you can turn fasteners in tighter confines
- Double-stacked pawls alternately engage the 60 tooth gear, providing exceptional strength
- Teardrop, low-profile head and flush-mounted on/off switch allow better access in tight spaces
- Enclosed head design for extreme resistance to dirt infiltration
- Extra-long handles for additional access, 9-inch 1/4" drive and 18-inch 3/8" drive
- Highly visible markings on the head
- Bright, full polish chrome finish easily wipes clean and resists corrosion
- Includes tray for storage and organization
- Meets or exceeds ASME specifications



Cat. No.	Included Storage	Product Weight
81271	Tray	4.620 lb

Cat. No.	Description
81034	1/4" Drive 120XP™ Extra Long Handle Teardrop Ratchet 9"
81269	3/8" Drive 120XP™ Extra Long Handle Teardrop Ratchet 18"

### 4 Pc. 1/4", 3/8", and 1/2" Drive 120XP™ Full Polish Flex Handle Ratchet Set



- 120XP™ ratchets have two double stacked 60-tooth pawls (120 positions) providing a 3° swing arc so you can turn fasteners in tighter confines
- Double-stacked pawls alternately engage the 60 tooth gear, providing exceptional strength
- Flexible head provides access for hard to reach fasteners
- Teardrop, low-profile head and flush-mounted on/off switch allow better access in tight spaces
- Enclosed head design for extreme resistance to dirt infiltration
- Highly visible markings on the head
- Longer reach handle to access hard-to-reach fasteners
- Bright, full polish chrome finish easily wipes clean and resists corrosion
- Includes tray for storage and organization
- Meets or exceeds ASME specifications



Cat. No.	Included Storage	Product Weight
81230P	Tray	4.83 lb

Cat. No.	Description	Cat. No.	Description
81012P	1/4" Drive 120XP™ Flex Head Teardrop Ratchet 6-3/4"	81215P	3/8" Drive 120XP™ Flex Head Teardrop Ratchet 11-1/2"
81212P	3/8" Drive 120XP™ Stubby Flex Head Teardrop Ratchet 5"	81306P	1/2" Drive 120XP™ Flex Head Teardrop Ratchet 17"

### 2 Pc. 1/4" and 3/8" Drive 120XP™ Dual Material Flex Handle Ratchet Set



- 120XP™ ratchets have two double stacked 60-tooth pawls (120 positions) providing a 3° swing arc so you can turn fasteners in tighter confines
- Double-stacked pawls alternately engage the 60 tooth gear, providing exceptional strength
- Flexible head provides access for hard to reach fasteners
- Enclosed head design for extreme resistance to dirt infiltration
- Highly visible markings on the head
- Longer reach handle to access hard-to-reach fasteners
- Bright, full polish chrome finish easily wipes clean and resists corrosion
- Dual material comfort grip handle
- Meets or exceeds ASME specifications



Cat. No.	Included Storage	Product Weight
81204P	Tray	1.76 lb

Cat. No.	Description
81009P	1/4" Drive 120XP™ Dual Material Flex Head Teardrop Ratchet 8"
81210P	3/8" Drive 120XP™ Dual Material Flex Head Teardrop Ratchet 13-1/2"

### 3 Pc. 1/4", 3/8", and 1/2" Drive Full Polish Teardrop 84 Tooth Ratchet Set

- 84 tooth gear offers a 4.3° swing arc for easy access
- Teardrop, low-profile head and flush-mounted on/off switch allow better access in tight spaces
- Bright, full polish chrome finish easily wipes clean and resists corrosion
- Includes tray for storage and organization
- Meets or exceeds ASME specifications



Cat. No.	Included Storage	Product Weight
81206F	Tray	2.646 lb

Cat. No.	Description
81011F	1/4" Drive 84 Tooth Teardrop Ratchet 5"
81211F	3/8" Drive 84 Tooth Teardrop Ratchet 8-1/4"
81304F	1/2" Drive 84 Tooth Teardrop Ratchet 11"



### 2 Pc. 1/4" and 3/8" Drive Full Polish Long Handle 84 Tooth Teardrop Ratchet Set

- 84 tooth gear offers a 4.3° swing arc for easy access
- Teardrop, low-profile head and flush-mounted on/off switch allow better access in tight spaces
- Bright, full polish chrome finish easily wipes clean and resists corrosion
- Includes tray for storage and organization
- Meets or exceeds ASME specifications



Cat. No.	Included Storage	Product Weight
81268	Tray	1.34 lb

Cat. No.	Description
81028	1/4" Drive 84 Tooth Long Handle Teardrop Ratchet 6-3/4"
81264	3/8" Drive 84 Tooth Long Handle Teardrop Ratchet 11"

### 3 Pc. 1/4", 3/8", and 1/2" Drive Dual Material Teardrop 84 Tooth Ratchet Set

- 84 tooth gear offers a 4.3° swing arc for easy access
- Teardrop, low-profile head and flush-mounted on/off switch allow better access in tight spaces
- Bright, full polish chrome finish easily wipes clean and resists corrosion
- Dual material comfort grip handle
- Includes tray for storage and organization
- Meets or exceeds ASME specifications



Cat. No.	Included Storage	Product Weight
81207F	Tray	2.87 lb

Cat. No.	Description
81007F	1/4" Drive 84 Tooth Dual Material Teardrop Ratchet 6-1/4"
81208F	3/8" Drive 84 Tooth Dual Material Teardrop Ratchet 9"
81303F	1/2" Drive 84 Tooth Dual Material Teardrop Ratchet 11-1/2"

### 3 Pc. 1/4" and 3/8" Drive Dual Material Flex 84 Tooth Ratchet Set

- 84 tooth gear offers a 4.3° swing arc for easy access
- Teardrop, low-profile head and flush-mounted on/off switch allow better access in tight spaces
- Bright, full polish chrome finish easily wipes clean and resists corrosion
- Dual material comfort grip handle
- Includes tray for storage and organization
- Meets or exceeds ASME specifications



Cat. No.	Included Storage	Product Weight
81203F	Tray	2.22 lb

Cat. No.	Description
81007F	1/4" Drive 84 Tooth Dual Material Teardrop Ratchet 6-1/4"
81208F	3/8" Drive 84 Tooth Dual Material Teardrop Ratchet 9"
81210F	3/8" Drive 84 Tooth Dual Material Flex Head Teardrop Ratchet 13"

### 4 Pc. 1/4", 3/8", and 1/2" Drive Full Polish Flex Handle 84 Tooth Ratchet Set

- 84 tooth gear offers a 4.3° swing arc for easy access
- Teardrop, low-profile head and flush-mounted on/off switch allow better access in tight spaces
- Bright, full polish chrome finish easily wipes clean and resists corrosion
- Includes tray for storage and organization
- Meets or exceeds ASME specifications



Cat. No.	Included Storage	Product Weight
81230F	Tray	3.121 lb

Cat. No.	Description	Cat. No.	Description
81012F	1/4" Drive 84 Tooth Flex Head Teardrop Ratchet 7"	81215F	3/8" Drive 84 Tooth Flex Head Teardrop Ratchet 11-1/2"
81212F	3/8" Drive 84 Tooth Stubby Flex Head Teardrop Ratchet 5"	81306F	1/2" Drive 84 Tooth Flex Head Teardrop Ratchet 17"

### 2 Pc. 1/4" and 3/8" Drive Full Polish Flex Handle 84 Tooth Ratchet Set

- 84 tooth gear offers a 4.3° swing arc for easy access
- Teardrop, low-profile head and flush-mounted on/off switch allow better access in tight spaces
- Flexible head provides access for hard to reach fasteners
- Bright, full polish chrome finish easily wipes clean and resists corrosion
- Meets or exceeds ASME specifications



Cat. No.	Included Storage	Product Weight
81216F	None	2.184 lb

Cat. No.	Description
81012F	1/4" Drive 84 Tooth Flex Head Teardrop Ratchet 7"
81215F	3/8" Drive 84 Tooth Flex Head Teardrop Ratchet 11-1/2"

### 2 Pc. 1/4" and 3/8" Drive Dual Material Flex 84 Tooth Ratchet Set

- 84 tooth gear offers a 4.3° swing arc for easy access
- Teardrop, low-profile head and flush-mounted on/off switch allow better access in tight spaces
- Bright, full polish chrome finish easily wipes clean and resists corrosion
- Dual material comfort grip handle
- Includes tray for storage and organization
- Meets or exceeds ASME specifications



Cat. No.	Included Storage	Product Weight
81204F	Tray	1.763 lb

Cat. No.	Description
81009F	1/4" Drive 84 Tooth Dual Material Flex Head Teardrop Ratchet 7-3/4"
81210F	3/8" Drive 84 Tooth Dual Material Flex Head Teardrop Ratchet 13"

### 3 Pc. 1/4", 3/8" and 1/2" Drive Full Polish Locking Flex Handle 84 Tooth Ratchet Set

- 84 tooth gear offers a 4.3° swing arc for easy access
- Locking flex head with 9 locked and unlocked positions for adjustable access angle
- Teardrop, low-profile head and flush-mounted on/off switch allow even more access in tight spaces
- Enclosed head design for extreme resistance to dirt infiltration
- Bright, full polish chrome finish easily wipes clean and resists corrosion
- Includes tray for storage and organization
- Meets or exceeds ASME specifications



Cat. No.	Included Storage	Product Weight
81276	Tray	3.08 lb

Cat. No.	Description
81015	1/4" Drive 84 Tooth Locking Flex Head Teardrop Ratchet 7"
81266	3/8" Drive 84 Tooth Locking Flex Head Teardrop Ratchet 11-1/2"
81362	1/2" Drive 84 Tooth Locking Flex Head Teardrop Ratchet 17"

### 2 Pc. 1/4" and 3/8" Drive Full Polish Locking Flex Handle 84 Tooth Ratchet Set

- 84 tooth gear offers a 4.3° swing arc for easy access
- Locking flex head with 9 locked and unlocked positions for adjustable access angle
- Teardrop, low-profile head and flush-mounted on/off switch allow even more access in tight spaces
- Enclosed head design for extreme resistance to dirt infiltration
- Bright, full polish chrome finish easily wipes clean and resists corrosion
- Includes tray for storage and organization
- Meets or exceeds ASME specifications



Cat. No.	Included Storage	Product Weight
81274	Tray	1.76 lb

Cat. No.	Description
81015	1/4" Drive 84 Tooth Locking Flex Head Teardrop Ratchet 7"
81266	3/8" Drive 84 Tooth Locking Flex Head Teardrop Ratchet 11-1/2"



### 2 Pc. 1/4" and 3/8" Drive Dual Material Locking Flex Handle 84 Tooth Ratchet

- 84 tooth gear offers a 4.3° swing arc for easy access
- Locking flex head with 9 locked and unlocked positions for adjustable access angle
- Teardrop, low-profile head and flush-mounted on/off switch allow even more access in tight spaces
- Enclosed head design for extreme resistance to dirt infiltration
- Bright, full polish chrome finish easily wipes clean and resists corrosion
- Dual material comfort grip handle
- Includes tray for storage and organization
- Meets or exceeds ASME specifications



Cat. No.	Included Storage	Product Weight
81275	Tray	1.76 lb

Cat. No.	Description
81016	1/4" Drive 84 Tooth Dual Material Locking Flex Head Teardrop Ratchet 8-1/4"
81267	3/8" Drive 84 Tooth Dual Material Locking Flex Head Teardrop Ratchet 13-1/2"

### 2 Pc. 1/4" and 3/8" Drive Dual Material Roto Ratchet Set

- 360° rotating head for maximum speed and access
- 72 tooth ratchet turns fasteners with a 5° swing arc
- Round shaped head works well around obstacles
- Dual material comfort grip handle for a non-clip grip
- Bright, full polish chrome finish easily wipes clean and resists corrosion
- Meets or exceeds ASME specifications



Cat. No.	Included Storage	Product Weight
81223	None	1.26 lb

Cat. No.	Description
81224	1/4" Drive 72 Tooth Dual Material Roto Ratchet 6-3/4"
81225	3/8" Drive 72 Tooth Dual Material Roto Ratchet 9-3/4"

### 3 Pc. 1/4", 3/8", and 1/2" Drive Quick-Release Teardrop Ratchet Set

- 45 tooth teardrop shaped head with on/off switch allow even more access in tight spaces
- Quick release design allows for rapid socket removal
- Bright, full polish chrome finish easily wipes clean and resists corrosion
- Meets or exceeds ASME specifications



Cat. No.	Included Storage	Product Weight
81310	None	2.73 lb

Cat. No.	Description
81014	1/4" Drive 45 Tooth Quick Release Teardrop Ratchet 5-1/2"
81218	3/8" Drive 45 Tooth Quick Release Teardrop Ratchet 7-3/4"
81309	1/2" Drive 45 Tooth Quick Release Teardrop Ratchet 9-1/2"

### 2 Pc. 1/4" and 3/8" Drive Thumbwheel Ratchet Set

- 72 tooth gear for 5° ratchet angle
- Easy to adjust reversing lever for improved functionality
- Contoured handle offers maximum grip force



Cat. No.	Included Storage	Product Weight
81222	None	0.40 lb

Cat. No.	Description
81008	1/4" Drive 72 Tooth Thumbwheel Ratchet
81226	3/8" Drive 72 Tooth Thumbwheel Ratchet

### 10 Pc. 1/4", 3/8", and 1/2" Drive Universal Adapter Set

- Ball detent for secure socket retention
- Impact rated universal joints are made from Chrome Molybdenum steel for strength and durability
- Impact universal joints have a manganese phosphate coating for resistance to corrosion
- 1/4", 3/8" and 1/2" drive chrome adapters allow different drive size ratchets, sockets and extensions to be used
- 1/4" and 3/8" drive chrome universal joints allow access to hard to reach fasteners
- Bright, full polish chrome finish easily wipes clean and resists corrosion
- Includes blow mold case for storage and organization



Cat. No.	Included Storage	Product Weight
81205	Blow Mold Case	2.09 lb

Cat. No.	Description	Cat. No.	Description
80100	1/4" Drive Universal Joint	81127	1/4" Drive 1/4" F x 3/8" M Adapter
80549	3/8" Drive Universal Joint	81277	3/8" Drive 3/8" F x 1/4" M Adapter
80101	1/4" Drive Impact Universal Joint	81278	3/8" Drive 3/8" F x 1/2" M Adapter
80548	3/8" Drive Impact Universal Joint	81354	1/2" Drive 1/2" F x 3/8" M Adapter
80671	1/2" Drive Impact Universal Joint	81355	1/2" Drive 1/2" F x 3/4" M Adapter

### 4 Pc. 1/4", 3/8", and 1/2" Drive Adapter Set

- Ball detent for secure socket retention
- 1/4", 3/8" and 1/2" drive chrome adapters allow different drive size ratchets, sockets and extensions to be used
- Bright, full polish chrome finish easily wipes clean and resists corrosion
- Includes socket rail for storage and organization



Cat. No.	Included Storage	Product Weight
81217	None	0.32 lb

Cat. No.	Description	Cat. No.	Description
81127	1/4" Drive 1/4" F x 3/8" M Adapter	81278	3/8" Drive 3/8" F x 1/2" M Adapter
81277	3/8" Drive 3/8" F x 1/4" M Adapter	81354	1/2" Drive 1/2" F x 3/8" M Adapter

### 2 Pc. 1/4" and 3/8" Drive Flex Extension Set

- Flex shaft allows extension to bend into multiple positions
- Reach difficult to access fasteners that standard sockets/extensions cannot reach
- Designed to access extreme angled fasteners, for use in low torque applications
- 1/4" drive, 6" length flexible extension
- 3/8" drive, 8" length flexible extension



Cat. No.	Included Storage	Product Weight
87912	None	0.440 lb

Cat. No.	Description
-	1/4" Drive Flexible Extension 6"
-	3/8" Drive Flexible Extension 8"



### 51 Pc. 1/4" Drive 120XP™ 6 Point SAE/Metric Standard and Deep Mechanics Tool Set

- 120XP™ ratchets have two double stacked 60 tooth pawls (120 positions) providing a 3° swing arc so you can turn fasteners in tighter confines
- Double-stacked pawls alternately engage the 60 tooth gear, providing exceptional strength
- Extension bars features a knurled grip, providing a non slip surface
- Sockets feature off-corner loading design to reduce fastener rounding
- Bright, full polish chrome finish easily wipes clean and resists corrosion
- Hard stamped size markings
- Includes blow mold case for storage and organization
- Meets or exceeds ASME specifications



**120XP**



Cat. No.	Included Storage	Product Weight
80300P	Blow Mold Case	4.75 lb

Cat. No.	Description	Cat. No.	Description
81011P	1/4" Drive 120XP™ Teardrop Ratchet 5"	80126	1/4" Drive 6 Point Standard Metric Socket 5mm
81008	1/4" Drive 72 Tooth Thumbwheel Ratchet	80127	1/4" Drive 6 Point Standard Metric Socket 5.5mm
81101	1/4" Drive Extension 2"	80128	1/4" Drive 6 Point Standard Metric Socket 6mm
81116	1/4" Drive Extension 6"	80129	1/4" Drive 6 Point Standard Metric Socket 7mm
80100	1/4" Drive Universal Joint	80130	1/4" Drive 6 Point Standard Metric Socket 8mm
80105	1/4" Drive 6 Point Standard SAE Socket 3/16"	80131D	1/4" Drive 6 Point Standard Metric Socket 9mm
80106	1/4" Drive 6 Point Standard SAE Socket 7/32"	80132	1/4" Drive 6 Point Standard Metric Socket 10mm
80107	1/4" Drive 6 Point Standard SAE Socket 1/4"	80133	1/4" Drive 6 Point Standard Metric Socket 11mm
80108	1/4" Drive 6 Point Standard SAE Socket 9/32"	80134	1/4" Drive 6 Point Standard Metric Socket 12mm
80109	1/4" Drive 6 Point Standard SAE Socket 5/16"	80135D	1/4" Drive 6 Point Standard Metric Socket 13mm
80110	1/4" Drive 6 Point Standard SAE Socket 11/32"	80136	1/4" Drive 6 Point Standard Metric Socket 14mm
80111	1/4" Drive 6 Point Standard SAE Socket 3/8"	80137	1/4" Drive 6 Point Standard Metric Socket 15mm
80112	1/4" Drive 6 Point Standard SAE Socket 7/16"	80138	1/4" Drive 6 Point Deep Metric Socket 4mm
80113D	1/4" Drive 6 Point Standard SAE Socket 1/2"	80139	1/4" Drive 6 Point Deep Metric Socket 5mm
80114D	1/4" Drive 6 Point Standard SAE Socket 9/16"	80140	1/4" Drive 6 Point Deep Metric Socket 5.5mm
80115	1/4" Drive 6 Point Deep SAE Socket 3/16"	80141	1/4" Drive 6 Point Deep Metric Socket 6mm
80116D	1/4" Drive 6 Point Deep SAE Socket 7/32"	80142	1/4" Drive 6 Point Deep Metric Socket 7mm
80117	1/4" Drive 6 Point Deep SAE Socket 1/4"	80143	1/4" Drive 6 Point Deep Metric Socket 8mm
80118	1/4" Drive 6 Point Deep SAE Socket 9/32"	80144	1/4" Drive 6 Point Deep Metric Socket 9mm
80119	1/4" Drive 6 Point Deep SAE Socket 5/16"	80145	1/4" Drive 6 Point Deep Metric Socket 10mm
80120D	1/4" Drive 6 Point Deep SAE Socket 11/32"	80146D	1/4" Drive 6 Point Deep Metric Socket 11mm
80121	1/4" Drive 6 Point Deep SAE Socket 3/8"	80147	1/4" Drive 6 Point Deep Metric Socket 12mm
80122D	1/4" Drive 6 Point Deep SAE Socket 7/16"	80148	1/4" Drive 6 Point Deep Metric Socket 13mm
80123	1/4" Drive 6 Point Deep SAE Socket 1/2"	80149	1/4" Drive 6 Point Deep Metric Socket 14mm
80124	1/4" Drive 6 Point Deep SAE Socket 9/16"	80150	1/4" Drive 6 Point Deep Metric Socket 15mm
80125	1/4" Drive 6 Point Standard Metric Socket 4mm		

### 51 Pc. 1/4" Drive 6 Point SAE/Metric Standard and Deep Mechanics Tool Set

- 84 tooth teardrop ratchets, with flush-mounted on/off levers and a full polish chrome finish
- Includes a thumbwheel ratchet for access to tight spaces
- Sockets feature off-corner loading design to reduce fastener rounding
- Full polish chrome sockets with large hard stamp size markings
- Knurled full polish chrome extensions
- Includes blow mold case for storage and organization
- Meets or exceeds ASME specifications



Cat. No.	Included Storage	Product Weight
80300	Blow Mold Case	4.85 lb

Cat. No.	Description	Cat. No.	Description
81011F	1/4" Drive 84 Tooth Teardrop Ratchet 5"	80126	1/4" Drive 6 Point Standard Metric Socket 5mm
81008	1/4" Drive 72 Tooth Thumbwheel Ratchet	80127	1/4" Drive 6 Point Standard Metric Socket 5.5mm
81101	1/4" Drive Extension 2"	80128	1/4" Drive 6 Point Standard Metric Socket 6mm
81116	1/4" Drive Extension 6"	80129	1/4" Drive 6 Point Standard Metric Socket 7mm
80100	1/4" Drive Universal Joint	80130	1/4" Drive 6 Point Standard Metric Socket 8mm
80105	1/4" Drive 6 Point Standard SAE Socket 3/16"	80131D	1/4" Drive 6 Point Standard Metric Socket 9mm
80106	1/4" Drive 6 Point Standard SAE Socket 7/32"	80132	1/4" Drive 6 Point Standard Metric Socket 10mm
80107	1/4" Drive 6 Point Standard SAE Socket 1/4"	80133	1/4" Drive 6 Point Standard Metric Socket 11mm
80108	1/4" Drive 6 Point Standard SAE Socket 9/32"	80134	1/4" Drive 6 Point Standard Metric Socket 12mm
80109	1/4" Drive 6 Point Standard SAE Socket 5/16"	80135D	1/4" Drive 6 Point Standard Metric Socket 13mm
80110	1/4" Drive 6 Point Standard SAE Socket 11/32"	80136	1/4" Drive 6 Point Standard Metric Socket 14mm
80111	1/4" Drive 6 Point Standard SAE Socket 3/8"	80137	1/4" Drive 6 Point Standard Metric Socket 15mm
80112	1/4" Drive 6 Point Standard SAE Socket 7/16"	80138	1/4" Drive 6 Point Deep Metric Socket 4mm
80113D	1/4" Drive 6 Point Standard SAE Socket 1/2"	80139	1/4" Drive 6 Point Deep Metric Socket 5mm
80114D	1/4" Drive 6 Point Standard SAE Socket 9/16"	80140	1/4" Drive 6 Point Deep Metric Socket 5.5mm
80115	1/4" Drive 6 Point Deep SAE Socket 3/16"	80141	1/4" Drive 6 Point Deep Metric Socket 6mm
80116D	1/4" Drive 6 Point Deep SAE Socket 7/32"	80142	1/4" Drive 6 Point Deep Metric Socket 7mm
80117	1/4" Drive 6 Point Deep SAE Socket 1/4"	80143	1/4" Drive 6 Point Deep Metric Socket 8mm
80118	1/4" Drive 6 Point Deep SAE Socket 9/32"	80144	1/4" Drive 6 Point Deep Metric Socket 9mm
80119	1/4" Drive 6 Point Deep SAE Socket 5/16"	80145	1/4" Drive 6 Point Deep Metric Socket 10mm
80120D	1/4" Drive 6 Point Deep SAE Socket 11/32"	80146D	1/4" Drive 6 Point Deep Metric Socket 11mm
80121	1/4" Drive 6 Point Deep SAE Socket 3/8"	80147	1/4" Drive 6 Point Deep Metric Socket 12mm
80122D	1/4" Drive 6 Point Deep SAE Socket 7/16"	80148	1/4" Drive 6 Point Deep Metric Socket 13mm
80123	1/4" Drive 6 Point Deep SAE Socket 1/2"	80149	1/4" Drive 6 Point Deep Metric Socket 14mm
80124	1/4" Drive 6 Point Deep SAE Socket 9/16"	80150	1/4" Drive 6 Point Deep Metric Socket 15mm
80125	1/4" Drive 6 Point Standard Metric Socket 4mm		

### 51 Pc. 1/4" Drive 12 Point SAE/Metric Standard and Deep Mechanics Tool Set

- 84 tooth teardrop ratchets, with flush-mounted on/off levers and a full polish chrome finish
- Includes a thumbwheel ratchet for access to tight spaces
- Sockets feature off-corner loading design to reduce fastener rounding
- Full polish chrome sockets with large hard stamp size markings
- Knurled full polish chrome extensions
- Includes blow mold case for storage and organization
- Meets or exceeds ASME specifications



Cat. No.	Included Storage	Product Weight
80301	Blow Mold Case	4.85 lb

Cat. No.	Description	Cat. No.	Description
81011F	1/4" Drive 84 Tooth Teardrop Ratchet 5"	80198	1/4" Drive 12 Point Standard Metric Socket 5mm
81008	1/4" Drive 72 Tooth Thumbwheel Ratchet	80199	1/4" Drive 12 Point Standard Metric Socket 5.5mm
81101	1/4" Drive Extension 2"	80200	1/4" Drive 12 Point Standard Metric Socket 6mm
81116	1/4" Drive Extension 6"	80201	1/4" Drive 12 Point Standard Metric Socket 7mm
80100	1/4" Drive Universal Joint	80202	1/4" Drive 12 Point Standard Metric Socket 8mm
80210	1/4" Drive 12 Point Standard SAE Socket 3/16"	80203	1/4" Drive 12 Point Standard Metric Socket 9mm
80211	1/4" Drive 12 Point Standard SAE Socket 7/32"	80204	1/4" Drive 12 Point Standard Metric Socket 10mm
80212	1/4" Drive 12 Point Standard SAE Socket 1/4"	80205	1/4" Drive 12 Point Standard Metric Socket 11mm
80213	1/4" Drive 12 Point Standard SAE Socket 9/32"	80206	1/4" Drive 12 Point Standard Metric Socket 12mm
80214	1/4" Drive 12 Point Standard SAE Socket 5/16"	80207	1/4" Drive 12 Point Standard Metric Socket 13mm
80215D	1/4" Drive 12 Point Standard SAE Socket 11/32"	80208	1/4" Drive 12 Point Standard Metric Socket 14mm
80216	1/4" Drive 12 Point Standard SAE Socket 3/8"	80209	1/4" Drive 12 Point Standard Metric Socket 15mm
80217	1/4" Drive 12 Point Standard SAE Socket 7/16"	80230	1/4" Drive 12 Point Deep Metric Socket 4mm
80218	1/4" Drive 12 Point Standard SAE Socket 1/2"	80231	1/4" Drive 12 Point Deep Metric Socket 5mm
80219	1/4" Drive 12 Point Standard SAE Socket 9/16"	80232	1/4" Drive 12 Point Deep Metric Socket 5.5mm
80220	1/4" Drive 12 Point Deep SAE Socket 3/16"	80233	1/4" Drive 12 Point Deep Metric Socket 6mm
80221	1/4" Drive 12 Point Deep SAE Socket 7/32"	80234	1/4" Drive 12 Point Deep Metric Socket 7mm
80222	1/4" Drive 12 Point Deep SAE Socket 1/4"	80235	1/4" Drive 12 Point Deep Metric Socket 8mm
80223D	1/4" Drive 12 Point Deep SAE Socket 9/32"	80236	1/4" Drive 12 Point Deep Metric Socket 9mm
80224	1/4" Drive 12 Point Deep SAE Socket 5/16"	80237	1/4" Drive 12 Point Deep Metric Socket 10mm
80225	1/4" Drive 12 Point Deep SAE Socket 11/32"	80238	1/4" Drive 12 Point Deep Metric Socket 11mm
80226	1/4" Drive 12 Point Deep SAE Socket 3/8"	80239D	1/4" Drive 12 Point Deep Metric Socket 12mm
80227	1/4" Drive 12 Point Deep SAE Socket 7/16"	80240	1/4" Drive 12 Point Deep Metric Socket 13mm
80228	1/4" Drive 12 Point Deep SAE Socket 1/2"	80241	1/4" Drive 12 Point Deep Metric Socket 14mm
80229	1/4" Drive 12 Point Deep SAE Socket 9/16"	80242	1/4" Drive 12 Point Deep Metric Socket 15mm
80197	1/4" Drive 12 Point Standard Metric Socket 4mm		

### 26 Pc. 1/4" Drive 6 Point SAE Standard and Deep Mechanics Tool Set

- 84 tooth teardrop ratchets, with flush-mounted on/off levers and a full polish chrome finish
- 1/4" socket driver with ergonomic dual material handle
- Sockets feature off-corner loading design to reduce fastener rounding
- Full polish chrome sockets with large hard stamp size markings
- Knurled full polish chrome extensions
- Hard stamped size markings
- Includes blow mold case for storage and organization
- Meets or exceeds ASME specifications



Cat. No.	Included Storage	Product Weight
80312DD	Blow Mold Case	2.95 lb

Cat. No.	Description	Cat. No.	Description
81011F	1/4" Drive 84 Tooth Teardrop Ratchet 5"	80112	1/4" Drive 6 Point Standard SAE Socket 7/16"
81128	1/4" Drive Spinner Handle 7-3/4"	80113D	1/4" Drive 6 Point Standard SAE Socket 1/2"
81113D	1/4" Drive Extension 3"	80114D	1/4" Drive 6 Point Standard SAE Socket 9/16"
81116	1/4" Drive Extension 6"	80115	1/4" Drive 6 Point Deep SAE Socket 3/16"
80100	1/4" Drive Universal Joint	80116D	1/4" Drive 6 Point Deep SAE Socket 7/32"
80104D	1/4" Drive 6 Point Standard SAE Socket 5/32"	80117	1/4" Drive 6 Point Deep SAE Socket 1/4"
80105	1/4" Drive 6 Point Standard SAE Socket 3/16"	80118	1/4" Drive 6 Point Deep SAE Socket 9/32"
80106	1/4" Drive 6 Point Standard SAE Socket 7/32"	80119	1/4" Drive 6 Point Deep SAE Socket 5/16"
80107	1/4" Drive 6 Point Standard SAE Socket 1/4"	80120D	1/4" Drive 6 Point Deep SAE Socket 11/32"
80108	1/4" Drive 6 Point Standard SAE Socket 9/32"	80121	1/4" Drive 6 Point Deep SAE Socket 3/8"
80109	1/4" Drive 6 Point Standard SAE Socket 5/16"	80122D	1/4" Drive 6 Point Deep SAE Socket 7/16"
80110	1/4" Drive 6 Point Standard SAE Socket 11/32"	80123	1/4" Drive 6 Point Deep SAE Socket 1/2"
80111	1/4" Drive 6 Point Standard SAE Socket 3/8"	80124	1/4" Drive 6 Point Deep SAE Socket 9/16"



### 26 Pc. 1/4" Drive 12 Point SAE Standard and Deep Mechanics Tool Set

- 84 tooth teardrop ratchets, with flush-mounted on/off levers and a full polish chrome finish
- 1/4" socket driver with ergonomic dual material handle
- Sockets feature off-corner loading design to reduce fastener rounding
- Full polish chrome sockets with large hard stamp size markings
- Knurled full polish chrome extensions
- Hard stamped size markings
- Includes blow mold case for storage and organization
- Meets or exceeds ASME specifications



Cat. No.	Included Storage	Product Weight
80313	Blow Mold Case	2.89 lb

Cat. No.	Description	Cat. No.	Description
81011F	1/4" Drive 84 Tooth Teardrop Ratchet 5"	80217	1/4" Drive 12 Point Standard SAE Socket 7/16"
81128	1/4" Drive Spinner Handle 7-3/4"	80218	1/4" Drive 12 Point Standard SAE Socket 1/2"
81113D	1/4" Drive Extension 3"	80219	1/4" Drive 12 Point Standard SAE Socket 9/16"
81116	1/4" Drive Extension 6"	80220	1/4" Drive 12 Point Deep SAE Socket 3/16"
80100	1/4" Drive Universal Joint	80221	1/4" Drive 12 Point Deep SAE Socket 7/32"
80290	1/4" Drive 12 Point Standard SAE Socket 5/32"	80222	1/4" Drive 12 Point Deep SAE Socket 1/4"
80210	1/4" Drive 12 Point Standard SAE Socket 3/16"	80223D	1/4" Drive 12 Point Deep SAE Socket 9/32"
80211	1/4" Drive 12 Point Standard SAE Socket 7/32"	80224	1/4" Drive 12 Point Deep SAE Socket 5/16"
80212	1/4" Drive 12 Point Standard SAE Socket 1/4"	80225	1/4" Drive 12 Point Deep SAE Socket 11/32"
80213	1/4" Drive 12 Point Standard SAE Socket 9/32"	80226	1/4" Drive 12 Point Deep SAE Socket 3/8"
80214	1/4" Drive 12 Point Standard SAE Socket 5/16"	80227	1/4" Drive 12 Point Deep SAE Socket 7/16"
80215D	1/4" Drive 12 Point Standard SAE Socket 11/32"	80228	1/4" Drive 12 Point Deep SAE Socket 1/2"
80216	1/4" Drive 12 Point Standard SAE Socket 3/8"	80229	1/4" Drive 12 Point Deep SAE Socket 9/16"

### 22 Pc. 1/4" Drive 6 and 12 Point SAE Standard and Deep Mechanics Tool Set

- 84 tooth teardrop ratchets, with flush-mounted on/off levers and a full polish chrome finish
- 1/4" socket driver with ergonomic dual material handle
- Sockets feature off-corner loading design to reduce fastener rounding
- Full polish chrome sockets with large hard stamp size markings
- Knurled full polish chrome extensions
- Hard stamped size markings
- Includes blow mold case for storage and organization
- Meets or exceeds ASME specifications



Cat. No.	Included Storage	Product Weight
80325	Blow Mold Case	2.86 lb

Cat. No.	Description	Cat. No.	Description
81011F	1/4" Drive 84 Tooth Teardrop Ratchet 5"	80217	1/4" Drive 12 Point Standard SAE Socket 7/16"
81128	1/4" Drive Spinner Handle 7-3/4"	80218	1/4" Drive 12 Point Standard SAE Socket 1/2"
81101	1/4" Drive Extension 2"	80115	1/4" Drive 6 Point Deep SAE Socket 3/16"
81116	1/4" Drive Extension 6"	80116D	1/4" Drive 6 Point Deep SAE Socket 7/32"
80210	1/4" Drive 12 Point Standard SAE Socket 3/16"	80117	1/4" Drive 6 Point Deep SAE Socket 1/4"
80211	1/4" Drive 12 Point Standard SAE Socket 7/32"	80118	1/4" Drive 6 Point Deep SAE Socket 9/32"
80212	1/4" Drive 12 Point Standard SAE Socket 1/4"	80119	1/4" Drive 6 Point Deep SAE Socket 5/16"
80213	1/4" Drive 12 Point Standard SAE Socket 9/32"	80120D	1/4" Drive 6 Point Deep SAE Socket 11/32"
80214	1/4" Drive 12 Point Standard SAE Socket 5/16"	80121	1/4" Drive 6 Point Deep SAE Socket 3/8"
80215D	1/4" Drive 12 Point Standard SAE Socket 11/32"	80122D	1/4" Drive 6 Point Deep SAE Socket 7/16"
80216	1/4" Drive 12 Point Standard SAE Socket 3/8"	80123	1/4" Drive 6 Point Deep SAE Socket 1/2"

### 22 Pc. 1/4" Drive 6 and 12 Point Metric Standard and Deep Mechanics Tool Set

- 84 tooth teardrop ratchets, with flush-mounted on/off levers and a full polish chrome finish
- 1/4" socket driver with ergonomic dual material handle
- Sockets feature off-corner loading design to reduce fastener rounding
- Full polish chrome sockets with large hard stamp size markings
- Knurled full polish chrome extensions
- Hard stamped size markings
- Includes blow mold case for storage and organization
- Meets or exceeds ASME specifications



Cat. No.	Included Storage	Product Weight
80327	Blow Mold Case	3.04 lb

Cat. No.	Description	Cat. No.	Description
81011F	1/4" Drive 84 Tooth Teardrop Ratchet 5"	80148	1/4" Drive 6 Point Deep Metric Socket 13mm
81128	1/4" Drive Spinner Handle 7-3/4"	80149	1/4" Drive 6 Point Deep Metric Socket 14mm
81116	1/4" Drive Extension 6"	80197	1/4" Drive 12 Point Standard Metric Socket 4mm
81101	1/4" Drive Extension 2"	80198	1/4" Drive 12 Point Standard Metric Socket 5mm
80141	1/4" Drive 6 Point Deep Metric Socket 6mm	80200	1/4" Drive 12 Point Standard Metric Socket 6mm
80142	1/4" Drive 6 Point Deep Metric Socket 7mm	80201	1/4" Drive 12 Point Standard Metric Socket 7mm
80143	1/4" Drive 6 Point Deep Metric Socket 8mm	80202	1/4" Drive 12 Point Standard Metric Socket 8mm
80144	1/4" Drive 6 Point Deep Metric Socket 9mm	80203	1/4" Drive 12 Point Standard Metric Socket 9mm
80145	1/4" Drive 6 Point Deep Metric Socket 10mm	80204	1/4" Drive 12 Point Standard Metric Socket 10mm
80146D	1/4" Drive 6 Point Deep Metric Socket 11mm	80205	1/4" Drive 12 Point Standard Metric Socket 11mm
80147	1/4" Drive 6 Point Deep Metric Socket 12mm	80206	1/4" Drive 12 Point Standard Metric Socket 12mm

### 15 Pc. 1/4" Drive 6 Point SAE Mechanics Tool Set

- 84 tooth teardrop ratchets, with flush-mounted on/off levers and a full polish chrome finish
- Dual material comfort grip spinner handle
- Sockets feature off-corner loading design to reduce fastener rounding
- Hard stamped size markings
- Includes blow mold case for storage and organization
- Meets or exceeds ASME specifications



Cat. No.	Included Storage	Product Weight
80650	Blow Mold Case	1.705 lb



Cat. No.	Description	Cat. No.	Description
81011F	1/4" Drive 84 Tooth Teardrop Ratchet 5"	80108	1/4" Drive 6 Point Standard SAE Socket 9/32"
81128	1/4" Drive Spinner Handle 7-3/4"	80109	1/4" Drive 6 Point Standard SAE Socket 5/16"
81101	1/4" Drive Extension 2"	80110	1/4" Drive 6 Point Standard SAE Socket 11/32"
81116	1/4" Drive Extension 6"	80111	1/4" Drive 6 Point Standard SAE Socket 3/8"
80100	1/4" Drive Universal Joint	80112	1/4" Drive 6 Point Standard SAE Socket 7/16"
80105	1/4" Drive 6 Point Standard SAE Socket 3/16"	80113D	1/4" Drive 6 Point Standard SAE Socket 1/2"
80106	1/4" Drive 6 Point Standard SAE Socket 7/32"	80114D	1/4" Drive 6 Point Standard SAE Socket 9/16"
80107	1/4" Drive 6 Point Standard SAE Socket 1/4"		

### 14 Pc. 1/4" Drive 6 Point Metric Mechanics Tool Set

- 84 tooth teardrop ratchets, with flush-mounted on/off levers and a full polish chrome finish
- 1/4" socket driver with ergonomic dual material handle"
- Sockets feature off-corner loading design to reduce fastener rounding
- Bright, full polish chrome finish easily wipes clean and resists corrosion
- Knurled full polish chrome extensions
- Hard stamped size markings
- Includes blow mold case for storage and organization
- Meets or exceeds ASME specifications



Cat. No.	Included Storage	Product Weight
80326	Blow Mold Case	1.74 lb



Cat. No.	Description	Cat. No.	Description
81011F	1/4" Drive 84 Tooth Teardrop Ratchet 5"	80129	1/4" Drive 6 Point Standard Metric Socket 7mm
81128	1/4" Drive Spinner Handle 7-3/4"	80130	1/4" Drive 6 Point Standard Metric Socket 8mm
81101	1/4" Drive Extension 2"	80131D	1/4" Drive 6 Point Standard Metric Socket 9mm
81116	1/4" Drive Extension 6"	80132	1/4" Drive 6 Point Standard Metric Socket 10mm
80125	1/4" Drive 6 Point Standard Metric Socket 4mm	80133	1/4" Drive 6 Point Standard Metric Socket 11mm
80126	1/4" Drive 6 Point Standard Metric Socket 5mm	80134	1/4" Drive 6 Point Standard Metric Socket 12mm
80128	1/4" Drive 6 Point Standard Metric Socket 6mm	80135D	1/4" Drive 6 Point Standard Metric Socket 13mm



### 45 Pc. 1/4" Drive 6 Point Metric Slim Head Mechanics Tool Set

- Multi-functional adaptor head converts between bit driver and 1/4" drive ratchet
- Locking flex-head has 9 positions for maximum access
- Includes 6 & 12 inch slim head ratchets for access to a wider variety of fasteners
- Slim line head design - 0.73" wide, 0.49" thick - for improved access
- Flush-mounted forward/reverse lever
- Bright, full polish chrome finish easily wipes clean and resists corrosion
- Sockets feature off-corner loading design to reduce fastener rounding
- Bits made of S2 steel for strength and durability
- Ratchet/bit driver head and ratchet adapter meet or exceed all ASME specifications



Cat. No.	Included Storage	Product Weight
81032	Bit Holder	2.020 lb



Cat. No.	Description	Cat. No.	Description
81025	1/4" Drive 72 Tooth Quick Release Locking Flex Slim Head Ratchet 6"	80130	1/4" Drive 6 Point Standard Metric Socket 8mm
81030	1/4" Drive 72 Tooth Quick Release Locking Flex Slim Head Ratchet 12"	80131D	1/4" Drive 6 Point Standard Metric Socket 9mm
81114D	1/4" Drive Extension 4"	80132	1/4" Drive 6 Point Standard Metric Socket 10mm
-	Drive Tang Adapter x 2	80133	1/4" Drive 6 Point Standard Metric Socket 11mm
80125	1/4" Drive 6 Point Standard Metric Socket 4mm	80134	1/4" Drive 6 Point Standard Metric Socket 12mm
80126	1/4" Drive 6 Point Standard Metric Socket 5mm	80135D	1/4" Drive 6 Point Standard Metric Socket 13mm
80128	1/4" Drive 6 Point Standard Metric Socket 6mm	890003GD	30 Pc. Bit Set in Box
80129	1/4" Drive 6 Point Standard Metric Socket 7mm		

### 43 Pc. 1/4" Drive 6 Point Metric Slim Head Mechanics Tool Set

- Multi-functional adaptor head converts between bit driver and 1/4" drive ratchet
- Locking flex-head has 9 positions for maximum access
- Includes 6 & 12 inch slim head ratchets for access to a wider variety of fasteners
- Slim line head design - 0.73" wide, 0.49" thick - for improved access
- Flush-mounted forward/reverse lever
- Bright, full polish chrome finish easily wipes clean and resists corrosion
- Sockets feature off-corner loading design to reduce fastener rounding
- Bits made of S2 steel for strength and durability
- Ratchet/bit driver head and ratchet adapter meet or exceed all ASME specifications



Cat. No.	Included Storage	Product Weight
81031	Bit Holder	2.055 lb



Cat. No.	Description	Cat. No.	Description
81025	1/4" Drive 72 Tooth Quick Release Locking Flex Slim Head Ratchet 6"	80130	1/4" Drive 6 Point Standard Metric Socket 8mm
81030	1/4" Drive 72 Tooth Quick Release Locking Flex Slim Head Ratchet 12"	80131D	1/4" Drive 6 Point Standard Metric Socket 9mm
81114D	1/4" Drive Extension 4"	80132	1/4" Drive 6 Point Standard Metric Socket 10mm
80125	1/4" Drive 6 Point Standard Metric Socket 4mm	80133	1/4" Drive 6 Point Standard Metric Socket 11mm
80126	1/4" Drive 6 Point Standard Metric Socket 5mm	80134	1/4" Drive 6 Point Standard Metric Socket 12mm
80128	1/4" Drive 6 Point Standard Metric Socket 6mm	80135D	1/4" Drive 6 Point Standard Metric Socket 13mm
80129	1/4" Drive 6 Point Standard Metric Socket 7mm	890003GD	30 Pc. Bit Set in Box

### 35 Pc. MicroDriver Set

- Needs only a 6° arc to turn fasteners
- Offset 15 degrees for improved knuckle clearance
- Set includes: 1/4" x 5/16" reversible double-box micro-driver (5" oal)
- 1/4" drive-socket adapter
- Ten 1/4" 6 point sockets including 5/16, 3/8, 7/16, 1/2 and 9/16" SAE sockets and 8mm, 10mm, 12mm, 13mm and 14mm metric sockets
- Eighteen 1/4" bits including 5/32, 7/32 and 9/32" slotted bits, #1, #2 and #3 Phillips® bits, 3/32, 1/8, 5/32, 3/16, 1/4 and 5/16" hex bits, T20, T25, T30 and T40 Torx® bits and #2 and #3 square bits
- Five 5/16" bits including 5/16" and 3/8" slotted bits, a 3/8" hex bit and T45 and T50 Torx® bits
- Includes plastic case for storage and organization



Cat. No.	Included Storage	Product Weight
85035	Plastic Case	1 lb



Cat. No.	Description	Cat. No.	Description
-	1/4" x 5/16" 12 Point Reversible Double Box Ratcheting Wrench	-	3/8" Hex Bit
-	1/4" Square Drive Adapter	-	#1 Phillips® Bit
-	1/4" Drive 6 Point Standard Socket 5/16"	-	#2 Phillips® Bit
-	1/4" Drive 6 Point Standard Socket 3/8"	-	#3 Phillips® Bit
-	1/4" Drive 6 Point Standard Socket 7/16"	-	5/32" Slotted Bit
-	1/4" Drive 6 Point Standard Socket 1/2"	-	7/32" Slotted Bit
-	1/4" Drive 6 Point Standard Socket 9/16"	-	9/32" Slotted Bit
-	1/4" Drive 6 Point Standard Socket 8mm	-	5/16" Slotted Bit
-	1/4" Drive 6 Point Standard Socket 10mm	-	3/8" Slotted Bit
-	1/4" Drive 6 Point Standard Socket 12mm	-	T20 Torx® Bit
-	1/4" Drive 6 Point Standard Socket 13mm	-	T25 Torx® Bit
-	1/4" Drive 6 Point Standard Socket 14mm	-	T30 Torx® Bit
-	3/32" Hex Bit	-	T40 Torx® Bit
-	1/8" Hex Bit	-	T45 Torx® Bit
-	5/32" Hex Bit	-	T50 Torx® Bit
-	3/16" Hex Bit	-	#2 Square Bit
-	1/4" Hex Bit	-	#3 Square Bit
-	5/16" Hex Bit	-	

### 47 Pc. 1/4" Drive 6 Point SAE/Metric Standard and Deep Socket Set

- Off-corner loading design reduces fastener rounding
- Chamfered opening quickly guides fasteners into socket
- Hard stamped size markings
- Double line (SAE) and knurled (metric) ring help easily identify standard and metric sockets
- Bright, full polish chrome finish easily wipes clean and resists corrosion
- Meets or exceeds ASME specifications



Cat. No.	Included Storage	Product Weight
80314D	None	3.61 lb



Cat. No.	Description	Cat. No.	Description
80104D	1/4" Drive 6 Point Standard SAE Socket 5/32"	80128	1/4" Drive 6 Point Standard Metric Socket 6mm
80105	1/4" Drive 6 Point Standard SAE Socket 3/16"	80129	1/4" Drive 6 Point Standard Metric Socket 7mm
80106	1/4" Drive 6 Point Standard SAE Socket 7/32"	80130	1/4" Drive 6 Point Standard Metric Socket 8mm
80107	1/4" Drive 6 Point Standard SAE Socket 1/4"	80131D	1/4" Drive 6 Point Standard Metric Socket 9mm
80108	1/4" Drive 6 Point Standard SAE Socket 9/32"	80132	1/4" Drive 6 Point Standard Metric Socket 10mm
80109	1/4" Drive 6 Point Standard SAE Socket 5/16"	80133	1/4" Drive 6 Point Standard Metric Socket 11mm
80110	1/4" Drive 6 Point Standard SAE Socket 11/32"	80134	1/4" Drive 6 Point Standard Metric Socket 12mm
80111	1/4" Drive 6 Point Standard SAE Socket 3/8"	80135D	1/4" Drive 6 Point Standard Metric Socket 13mm
80112	1/4" Drive 6 Point Standard SAE Socket 7/16"	80136	1/4" Drive 6 Point Standard Metric Socket 14mm
80113D	1/4" Drive 6 Point Standard SAE Socket 1/2"	80137	1/4" Drive 6 Point Standard Metric Socket 15mm
80114D	1/4" Drive 6 Point Standard SAE Socket 9/16"	80138	1/4" Drive 6 Point Deep Metric Socket 4mm
80115	1/4" Drive 6 Point Deep SAE Socket 3/16"	80139	1/4" Drive 6 Point Deep Metric Socket 5mm
80116D	1/4" Drive 6 Point Deep SAE Socket 7/32"	80140	1/4" Drive 6 Point Deep Metric Socket 5.5mm
80117	1/4" Drive 6 Point Deep SAE Socket 1/4"	80141	1/4" Drive 6 Point Deep Metric Socket 6mm
80118	1/4" Drive 6 Point Deep SAE Socket 9/32"	80142	1/4" Drive 6 Point Deep Metric Socket 7mm
80119	1/4" Drive 6 Point Deep SAE Socket 5/16"	80143	1/4" Drive 6 Point Deep Metric Socket 8mm
80120D	1/4" Drive 6 Point Deep SAE Socket 11/32"	80144	1/4" Drive 6 Point Deep Metric Socket 9mm
80121	1/4" Drive 6 Point Deep SAE Socket 3/8"	80145	1/4" Drive 6 Point Deep Metric Socket 10mm
80122D	1/4" Drive 6 Point Deep SAE Socket 7/16"	80146D	1/4" Drive 6 Point Deep Metric Socket 11mm
80123	1/4" Drive 6 Point Deep SAE Socket 1/2"	80147	1/4" Drive 6 Point Deep Metric Socket 12mm
80124	1/4" Drive 6 Point Deep SAE Socket 9/16"	80148	1/4" Drive 6 Point Deep Metric Socket 13mm
80125	1/4" Drive 6 Point Standard Metric Socket 4mm	80149	1/4" Drive 6 Point Deep Metric Socket 14mm
80126	1/4" Drive 6 Point Standard Metric Socket 5mm	80150	1/4" Drive 6 Point Deep Metric Socket 15mm
80127	1/4" Drive 6 Point Standard Metric Socket 5.5mm		



### 10 Pc. 1/4" Drive 6 Point SAE Standard Socket Set

- Off-corner loading design reduces fastener rounding
- Chamfered opening quickly guides fasteners into socket
- Hard stamped size markings
- Double line (SAE) and knurled (metric) ring help easily identify standard and metric sockets
- Bright, full polish chrome finish easily wipes clean and resists corrosion
- Includes socket rail for storage and organization
- Meets or exceeds ASME specifications



Cat. No.	Included Storage	Product Weight
80303	Socket Rail	0.55 lb



Cat. No.	Description	Cat. No.	Description
80105	1/4" Drive 6 Point Standard SAE Socket 3/16"	80110	1/4" Drive 6 Point Standard SAE Socket 11/32"
80106	1/4" Drive 6 Point Standard SAE Socket 7/32"	80111	1/4" Drive 6 Point Standard SAE Socket 3/8"
80107	1/4" Drive 6 Point Standard SAE Socket 1/4"	80112	1/4" Drive 6 Point Standard SAE Socket 7/16"
80108	1/4" Drive 6 Point Standard SAE Socket 9/32"	80113D	1/4" Drive 6 Point Standard SAE Socket 1/2"
80109	1/4" Drive 6 Point Standard SAE Socket 5/16"	80114D	1/4" Drive 6 Point Standard SAE Socket 9/16"

### 10 Pc. 1/4" Drive 6 Point SAE Mid Length Socket Set

- Mid-length design for access to fasteners in hard-to-reach places
- Off-corner loading reduces fastener rounding
- Chamfered opening quickly guides fasteners into the socket
- Double line (SAE) and knurled (metric) ring help easily identify standard and metric sockets
- Hard stamped size markings
- Bright, full polish chrome finish easily wipes clean and resists corrosion
- Includes socket rail for storage and organization
- Meets or exceeds ASME specifications



Cat. No.	Included Storage	Product Weight
80305S	Socket Rail	0.59 lb



Cat. No.	Description	Cat. No.	Description
80115S	1/4" Drive 6 Point Mid Length SAE Socket 3/16"	80120S	1/4" Drive 6 Point Mid Length SAE Socket 11/32"
80116S	1/4" Drive 6 Point Mid Length SAE Socket 7/32"	80121S	1/4" Drive 6 Point Mid Length SAE Socket 3/8"
80117S	1/4" Drive 6 Point Mid Length SAE Socket 1/4"	80122S	1/4" Drive 6 Point Mid Length SAE Socket 7/16"
80118S	1/4" Drive 6 Point Mid Length SAE Socket 9/32"	80123S	1/4" Drive 6 Point Mid Length SAE Socket 1/2"
80119S	1/4" Drive 6 Point Mid Length SAE Socket 5/16"	80124S	1/4" Drive 6 Point Mid Length SAE Socket 9/16"

### 10 Pc. 1/4" Drive 12 Point SAE Standard Socket Set

- Off-corner loading design reduces fastener rounding
- Chamfered opening quickly guides fasteners into socket
- Hard stamped size markings
- Double line (SAE) and knurled (metric) ring help easily identify standard and metric sockets
- Bright, full polish chrome finish easily wipes clean and resists corrosion
- Includes socket rail for storage and organization
- Meets or exceeds ASME specifications



Cat. No.	Included Storage	Product Weight
80307D	Socket Rail	0.55 lb



Cat. No.	Description	Cat. No.	Description
80210	1/4" Drive 12 Point Standard SAE Socket 3/16"	80215D	1/4" Drive 12 Point Standard SAE Socket 11/32"
80211	1/4" Drive 12 Point Standard SAE Socket 7/32"	80216	1/4" Drive 12 Point Standard SAE Socket 3/8"
80212	1/4" Drive 12 Point Standard SAE Socket 1/4"	80217	1/4" Drive 12 Point Standard SAE Socket 7/16"
80213	1/4" Drive 12 Point Standard SAE Socket 9/32"	80218	1/4" Drive 12 Point Standard SAE Socket 1/2"
80214	1/4" Drive 12 Point Standard SAE Socket 5/16"	80219	1/4" Drive 12 Point Standard SAE Socket 9/16"

### 10 Pc. 1/4" Drive 6 Point SAE Deep Socket Set

- Off-corner loading design reduces fastener rounding
- Chamfered opening quickly guides fasteners into socket
- Hard stamped size markings
- Double line (SAE) and knurled (metric) ring help easily identify standard and metric sockets
- Bright, full polish chrome finish easily wipes clean and resists corrosion
- Includes socket rail for storage and organization
- Meets or exceeds ASME specifications



Cat. No.	Included Storage	Product Weight
80305	Socket Rail	0.97 lb



Cat. No.	Description	Cat. No.	Description
80115	1/4" Drive 6 Point Deep SAE Socket 3/16"	80120D	1/4" Drive 6 Point Deep SAE Socket 11/32"
80116D	1/4" Drive 6 Point Deep SAE Socket 7/32"	80121	1/4" Drive 6 Point Deep SAE Socket 3/8"
80117	1/4" Drive 6 Point Deep SAE Socket 1/4"	80122D	1/4" Drive 6 Point Deep SAE Socket 7/16"
80118	1/4" Drive 6 Point Deep SAE Socket 9/32"	80123	1/4" Drive 6 Point Deep SAE Socket 1/2"
80119	1/4" Drive 6 Point Deep SAE Socket 5/16"	80124	1/4" Drive 6 Point Deep SAE Socket 9/16"

### 10 Pc. 1/4" Drive 12 Point SAE Deep Socket Set

- Off-corner loading design reduces fastener rounding
- Chamfered opening quickly guides fasteners into socket
- Hard stamped size markings
- Double line (SAE) and knurled (metric) ring help easily identify standard and metric sockets
- Bright, full polish chrome finish easily wipes clean and resists corrosion
- Includes socket rail for storage and organization
- Meets or exceeds ASME specifications



Cat. No.	Included Storage	Product Weight
80309D	Socket Rail	0.97 lb



Cat. No.	Description	Cat. No.	Description
80220	1/4" Drive 12 Point Deep SAE Socket 3/16"	80225	1/4" Drive 12 Point Deep SAE Socket 11/32"
80221	1/4" Drive 12 Point Deep SAE Socket 7/32"	80226	1/4" Drive 12 Point Deep SAE Socket 3/8"
80222	1/4" Drive 12 Point Deep SAE Socket 1/4"	80227	1/4" Drive 12 Point Deep SAE Socket 7/16"
80223D	1/4" Drive 12 Point Deep SAE Socket 9/32"	80228	1/4" Drive 12 Point Deep SAE Socket 1/2"
80224	1/4" Drive 12 Point Deep SAE Socket 5/16"	80229	1/4" Drive 12 Point Deep SAE Socket 9/16"

### 5 Pc. 1/4" Drive 6 Point 8MM Socket Set

- 5 different styles of sockets ensure you can reach any fastener quickly and easily
- Set includes flex, deep, mid-length, standard and magnetic sockets of the same size
- Bright, full polish chrome finish easily wipes clean and resists corrosion
- Magnetic sockets are chrome molybdenum with manganese phosphate coating to resist corrosion
- Includes socket rail for storage and organization



Cat. No.	Included Storage	Product Weight
80102	Socket Rail	0.335 lb



Cat. No.	Description	Cat. No.	Description
80130	1/4" Drive 6 Point Standard Metric Socket 8mm	80254	1/4" Drive 6 Point Standard Metric Flex Socket 8mm
80143S	1/4" Drive 6 Point Mid Length Metric Socket 8mm	-	1/4" Drive 6 Point Magnetic Standard Impact Socket 8mm
80143	1/4" Drive 6 Point Deep Metric Socket 8mm		

### 13 Pc. 1/4" Drive 6 Point Metric Standard Socket Set

- Off-corner loading design reduces fastener rounding
- Chamfered opening quickly guides fasteners into socket
- Hard stamped size markings
- Double line (SAE) and knurled (metric) ring help easily identify standard and metric sockets
- Bright, full polish chrome finish easily wipes clean and resists corrosion
- Includes socket rail for storage and organization
- Meets or exceeds ASME specifications



Cat. No.	Included Storage	Product Weight
80302D	Socket Rail	0.71 lb



Cat. No.	Description	Cat. No.	Description
80125	1/4" Drive 6 Point Standard Metric Socket 4mm	80132	1/4" Drive 6 Point Standard Metric Socket 10mm
80126	1/4" Drive 6 Point Standard Metric Socket 5mm	80133	1/4" Drive 6 Point Standard Metric Socket 11mm
80127	1/4" Drive 6 Point Standard Metric Socket 5.5mm	80134	1/4" Drive 6 Point Standard Metric Socket 12mm
80128	1/4" Drive 6 Point Standard Metric Socket 6mm	80135D	1/4" Drive 6 Point Standard Metric Socket 13mm
80129	1/4" Drive 6 Point Standard Metric Socket 7mm	80136	1/4" Drive 6 Point Standard Metric Socket 14mm
80130	1/4" Drive 6 Point Standard Metric Socket 8mm	80137	1/4" Drive 6 Point Standard Metric Socket 15mm
80131D	1/4" Drive 6 Point Standard Metric Socket 9mm		

### 13 Pc. 1/4" Drive 6 Point Metric Mid Length Socket Set

- Mid-length design for access to fasteners in hard-to-reach places
- Off-corner loading reduces fastener rounding
- Chamfered opening quickly guides fasteners into the socket
- Double line (SAE) and knurled (metric) ring help easily identify standard and metric sockets
- Hard stamped size markings
- Bright, full polish chrome finish easily wipes clean and resists corrosion
- Includes socket rail for storage and organization
- Meets or exceeds ASME specifications



Cat. No.	Included Storage	Product Weight
80304S	Socket Rail	0.82 lb



Cat. No.	Description	Cat. No.	Description
80138S	1/4" Drive 6 Point Mid Length Metric Socket 4mm	80145S	1/4" Drive 6 Point Mid Length Metric Socket 10mm
80139S	1/4" Drive 6 Point Mid Length Metric Socket 5mm	80146S	1/4" Drive 6 Point Mid Length Metric Socket 11mm
80140S	1/4" Drive 6 Point Mid Length Metric Socket 5.5mm	80147S	1/4" Drive 6 Point Mid Length Metric Socket 12mm
80141S	1/4" Drive 6 Point Mid Length Metric Socket 6mm	80148S	1/4" Drive 6 Point Mid Length Metric Socket 13mm
80142S	1/4" Drive 6 Point Mid Length Metric Socket 7mm	80149S	1/4" Drive 6 Point Mid Length Metric Socket 14mm
80143S	1/4" Drive 6 Point Mid Length Metric Socket 8mm	80150S	1/4" Drive 6 Point Mid Length Metric Socket 15mm
80144S	1/4" Drive 6 Point Mid Length Metric Socket 9mm		

### 13 Pc. 1/4" Drive 12 Point Metric Standard Socket Set

- Off-corner loading design reduces fastener rounding
- Chamfered opening quickly guides fasteners into socket
- Hard stamped size markings
- Double line (SAE) and knurled (metric) ring help easily identify standard and metric sockets
- Bright, full polish chrome finish easily wipes clean and resists corrosion
- Includes socket rail for storage and organization
- Meets or exceeds ASME specifications



Cat. No.	Included Storage	Product Weight
80306	Socket Rail	0.70 lb



Cat. No.	Description	Cat. No.	Description
80197	1/4" Drive 12 Point Standard Metric Socket 4mm	80204	1/4" Drive 12 Point Standard Metric Socket 10mm
80198	1/4" Drive 12 Point Standard Metric Socket 5mm	80205	1/4" Drive 12 Point Standard Metric Socket 11mm
80199	1/4" Drive 12 Point Standard Metric Socket 5.5mm	80206	1/4" Drive 12 Point Standard Metric Socket 12mm
80200	1/4" Drive 12 Point Standard Metric Socket 6mm	80207	1/4" Drive 12 Point Standard Metric Socket 13mm
80201	1/4" Drive 12 Point Standard Metric Socket 7mm	80208	1/4" Drive 12 Point Standard Metric Socket 14mm
80202	1/4" Drive 12 Point Standard Metric Socket 8mm	80209	1/4" Drive 12 Point Standard Metric Socket 15mm
80203	1/4" Drive 12 Point Standard Metric Socket 9mm		

### 13 Pc. 1/4" Drive 6 Point Metric Deep Socket Set

- Off-corner loading design reduces fastener rounding
- Chamfered opening quickly guides fasteners into socket
- Hard stamped size markings
- Double line (SAE) and knurled (metric) ring help easily identify standard and metric sockets
- Bright, full polish chrome finish easily wipes clean and resists corrosion
- Includes socket rail for storage and organization
- Meets or exceeds ASME specifications



Cat. No.	Included Storage	Product Weight
80304	Socket Rail	1.28 lb



Cat. No.	Description	Cat. No.	Description
80138	1/4" Drive 6 Point Deep Metric Socket 4mm	80145	1/4" Drive 6 Point Deep Metric Socket 10mm
80139	1/4" Drive 6 Point Deep Metric Socket 5mm	80146D	1/4" Drive 6 Point Deep Metric Socket 11mm
80140	1/4" Drive 6 Point Deep Metric Socket 5.5mm	80147	1/4" Drive 6 Point Deep Metric Socket 12mm
80141	1/4" Drive 6 Point Deep Metric Socket 6mm	80148	1/4" Drive 6 Point Deep Metric Socket 13mm
80142	1/4" Drive 6 Point Deep Metric Socket 7mm	80149	1/4" Drive 6 Point Deep Metric Socket 14mm
80143	1/4" Drive 6 Point Deep Metric Socket 8mm	80150	1/4" Drive 6 Point Deep Metric Socket 15mm
80144	1/4" Drive 6 Point Deep Metric Socket 9mm		

### 13 Pc. 1/4" Drive 12 Point Metric Deep Socket Set

- Off-corner loading design reduces fastener rounding
- Chamfered opening quickly guides fasteners into socket
- Hard stamped size markings
- Double line (SAE) and knurled (metric) ring help easily identify standard and metric sockets
- Bright, full polish chrome finish easily wipes clean and resists corrosion
- Includes socket rail for storage and organization
- Meets or exceeds ASME specifications



Cat. No.	Included Storage	Product Weight
80308	Socket Rail	1.28 lb



Cat. No.	Description	Cat. No.	Description
80230	1/4" Drive 12 Point Deep Metric Socket 4mm	80237	1/4" Drive 12 Point Deep Metric Socket 10mm
80231	1/4" Drive 12 Point Deep Metric Socket 5mm	80238	1/4" Drive 12 Point Deep Metric Socket 11mm
80232	1/4" Drive 12 Point Deep Metric Socket 5.5mm	80239D	1/4" Drive 12 Point Deep Metric Socket 12mm
80233	1/4" Drive 12 Point Deep Metric Socket 6mm	80240	1/4" Drive 12 Point Deep Metric Socket 13mm
80234	1/4" Drive 12 Point Deep Metric Socket 7mm	80241	1/4" Drive 12 Point Deep Metric Socket 14mm
80235	1/4" Drive 12 Point Deep Metric Socket 8mm	80242	1/4" Drive 12 Point Deep Metric Socket 15mm
80236	1/4" Drive 12 Point Deep Metric Socket 9mm		

### 7 Pc. 1/4" Drive 6 Point SAE Flex Socket Set

- Universal socket design allows for greater angled access to fasteners
- Off-corner loading design reduces fastener rounding
- Bright, full polish chrome finish easily wipes clean and resists corrosion
- Hard stamped size markings
- Includes socket rail for storage and organization



Cat. No.	Included Storage	Product Weight
80310D	Socket Rail	1.20 lb



Cat. No.	Description	Cat. No.	Description
80262	1/4" Drive 6 Point Standard SAE Flex Socket 3/16"	80266	1/4" Drive 6 Point Standard SAE Flex Socket 7/16"
80263D	1/4" Drive 6 Point Standard SAE Flex Socket 1/4"	80267	1/4" Drive 6 Point Standard SAE Flex Socket 1/2"
80264	1/4" Drive 6 Point Standard SAE Flex Socket 5/16"	80268	1/4" Drive 6 Point Standard SAE Flex Socket 9/16"
80265	1/4" Drive 6 Point Standard SAE Flex Socket 3/8"		



### 12 Pc. 1/4" Drive 6 Point Metric Flex Socket Set

- Universal socket design allows for greater angled access to fasteners
- Off-corner loading design reduces fastener rounding
- Bright, full polish chrome finish easily wipes clean and resists corrosion
- Hard stamped size markings
- Includes socket rail for storage and organization



Cat. No.	Included Storage	Product Weight
80311	Socket Rail	2.50 lb



Cat. No.	Description	Cat. No.	Description
80250	1/4" Drive 6 Point Standard Metric Flex Socket 5mm	80256	1/4" Drive 6 Point Standard Metric Flex Socket 10mm
80251D	1/4" Drive 6 Point Standard Metric Flex Socket 5.5mm	80257	1/4" Drive 6 Point Standard Metric Flex Socket 11mm
80252	1/4" Drive 6 Point Standard Metric Flex Socket 6mm	80258	1/4" Drive 6 Point Standard Metric Flex Socket 12mm
80253	1/4" Drive 6 Point Standard Metric Flex Socket 7mm	80259	1/4" Drive 6 Point Standard Metric Flex Socket 13mm
80254	1/4" Drive 6 Point Standard Metric Flex Socket 8mm	80260	1/4" Drive 6 Point Standard Metric Flex Socket 14mm
80255	1/4" Drive 6 Point Standard Metric Flex Socket 9mm	80261	1/4" Drive 6 Point Standard Metric Flex Socket 15mm

### 10 Pc. 1/4" Drive SAE Hex Bit Socket Set

- Heat treated for maximum durability
- Bits made of S2 steel for strength and durability
- Hard stamped size markings
- Bright, full polish chrome finish easily wipes clean and resists corrosion
- Includes socket rail for storage and organization
- Meets or exceeds ASME specifications



Cat. No.	Included Storage	Product Weight
80323	Socket Rail	0.67 lb



Cat. No.	Description	Cat. No.	Description
80151D	1/4" Drive Hex Bit SAE Socket 1/16"	80156	1/4" Drive Hex Bit SAE Socket 9/64"
80152	1/4" Drive Hex Bit SAE Socket 5/64"	80157	1/4" Drive Hex Bit SAE Socket 5/32"
80153	1/4" Drive Hex Bit SAE Socket 3/32"	80158	1/4" Drive Hex Bit SAE Socket 3/16"
80154	1/4" Drive Hex Bit SAE Socket 7/64"	80159	1/4" Drive Hex Bit SAE Socket 7/32"
80155	1/4" Drive Hex Bit SAE Socket 1/8"	80160	1/4" Drive Hex Bit SAE Socket 1/4"

### 6 Pc. 1/4" Drive Metric Hex Bit Socket Set

- Heat treated for maximum durability
- Bits made of S2 steel for strength and durability
- Hard stamped size markings
- Bright, full polish chrome finish easily wipes clean and resists corrosion
- Includes socket rail for storage and organization
- Meets or exceeds ASME specifications



Cat. No.	Included Storage	Product Weight
80321	Socket Rail	0.43 lb



Cat. No.	Description	Cat. No.	Description
80161	1/4" Drive Hex Bit Metric Socket 2mm	80164	1/4" Drive Hex Bit Metric Socket 4mm
80162	1/4" Drive Hex Bit Metric Socket 2.5mm	80165	1/4" Drive Hex Bit Metric Socket 5mm
80163	1/4" Drive Hex Bit Metric Socket 3mm	80166	1/4" Drive Hex Bit Metric Socket 6mm

### 9 Pc. 1/4" Drive SAE Stubby Hex Bit Driver Set

- Short overall length provides better access in tight spaces
- S2 steel for strength and durability
- Hard stamped size markings
- Satin finish for corrosion protection and simple cleaning
- Compact design provides additional access compared to standard bit sockets
- Includes socket rail for storage and organization



Cat. No.	Included Storage	Product Weight
81149	Socket Rail	0.33 lb



Cat. No.	Description	Cat. No.	Description
81140	1/4" Drive Stubby Hex Bit SAE Driver Socket 3/32"	81145	1/4" Drive Stubby Hex Bit SAE Driver Socket 7/32"
81141	1/4" Drive Stubby Hex Bit SAE Driver Socket 7/64"	81146	1/4" Drive Stubby Hex Bit SAE Driver Socket 1/4"
81142	1/4" Drive Stubby Hex Bit SAE Driver Socket 1/8"	81147	1/4" Drive Stubby Hex Bit SAE Driver Socket 5/16"
81143	1/4" Drive Stubby Hex Bit SAE Driver Socket 5/32"	81148	1/4" Drive Stubby Hex Bit SAE Driver Socket 3/8"
81144	1/4" Drive Stubby Hex Bit SAE Driver Socket 3/16"		

### 9 Pc. 1/4" Drive Metric Stubby Hex Bit Driver Set

- Short overall length provides better access in tight spaces
- S2 steel for strength and durability
- Hard stamped size markings
- Satin finish for corrosion protection and simple cleaning
- Compact design provides additional access compared to standard bit sockets
- Includes socket rail for storage and organization



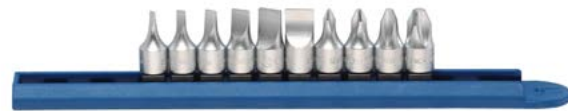
Cat. No.	Included Storage	Product Weight
81160	Socket Rail	0.33 lb



Cat. No.	Description	Cat. No.	Description
81150	1/4" Drive Stubby Hex Bit Metric Driver Socket 2mm	81155	1/4" Drive Stubby Hex Bit Metric Driver Socket 7mm
81151	1/4" Drive Stubby Hex Bit Metric Driver Socket 3mm	81156	1/4" Drive Stubby Hex Bit Metric Driver Socket 8mm
81152	1/4" Drive Stubby Hex Bit Metric Driver Socket 4mm	81157	1/4" Drive Stubby Hex Bit Metric Driver Socket 9mm
81153	1/4" Drive Stubby Hex Bit Metric Driver Socket 5mm	81158	1/4" Drive Stubby Hex Bit Metric Driver Socket 10mm
81154	1/4" Drive Stubby Hex Bit Metric Driver Socket 6mm		

### 10 Pc. 1/4" Drive Bit Driver Set

- Short overall length provides better access in tight spaces
- S2 steel for strength and durability
- Hard stamped size markings
- Satin finish for corrosion protection and simple cleaning
- Compact design provides additional access compared to standard bit sockets
- Includes socket rail for storage and organization



Cat. No.	Included Storage	Product Weight
81180	Socket Rail	0.370 lb



Cat. No.	Description	Cat. No.	Description
81176	1/4" Drive Stubby Phillips® Bit Driver Socket #1	81165	1/4" Drive Stubby Slotted Metric Bit Driver Socket 4mm
81177	1/4" Drive Stubby Phillips® Bit Driver Socket #2	81166	1/4" Drive Stubby Slotted Metric Bit Driver Socket 5.5mm
81178	1/4" Drive Stubby Phillips® Bit Driver Socket #3	81167	1/4" Drive Stubby Slotted Metric Bit Driver Socket 8mm
81179	1/4" Drive Stubby Phillips® Bit Driver Socket #4	81168	1/4" Drive Stubby Slotted Metric Bit Driver Socket 10mm
81164	1/4" Drive Stubby Slotted Metric Bit Driver Socket 3.5mm	81169	1/4" Drive Stubby Slotted Metric Bit Driver Socket 12mm

### 6 Pc. 1/4" Drive External Torx® Deep Socket Set

- Heat treated for maximum durability
- Bits made of S2 steel for strength and durability
- Hard stamped size markings
- Bright, full polish chrome finish easily wipes clean and resists corrosion
- Includes socket rail for storage and organization
- Meets or exceeds ASME specifications



Cat. No.	Included Storage	Product Weight
80322	Socket Rail	0.46 lb



Cat. No.	Description	Cat. No.	Description
80191	1/4" Drive Deep External Torx® Socket E4	80194	1/4" Drive Deep External Torx® Socket E7
80192	1/4" Drive Deep External Torx® Socket E5	80195	1/4" Drive Deep External Torx® Socket E8
80193	1/4" Drive Deep External Torx® Socket E6	80196	1/4" Drive Deep External Torx® Socket E10

### 1/4" Drive 120XP™ Teardrop Ratchet

- 120XP™ ratchets have two double stacked 60 tooth pawls (120 positions) providing a 3° swing arc so you can turn fasteners in tighter confines
- Double-stacked pawls alternately engage the 60 tooth gear, providing exceptional strength
- Highly visible on/off markings on the head for fast size identification
- Enclosed head design for extreme resistance to dirt infiltration
- Teardrop, low-profile head and flush-mounted on/off switch allow better access in tight spaces
- Longer reach handle to access hard-to-reach fasteners
- Bright, full polish chrome finish easily wipes clean and resists corrosion
- Meets or exceeds ASME specifications



Cat. No.	Overall Length	Head Width	Head Thickness	Tooth Count	Repair Kit	Product Weight
81011P	5.118 in	0.94 in	0.36 in	120XP	81099P	0.29 lb

### 1/4" Drive 120XP™ Extra Long Handle Teardrop Ratchet

- 120XP™ ratchets have two double stacked 60 tooth pawls (120 positions) providing a 3° swing arc so you can turn fasteners in tighter confines
- Double-stacked pawls alternately engage the 60 tooth gear, providing exceptional strength
- 9-inch extra-long handle for additional access
- Low-profile teardrop head and flush-mounted on/off switch for better access in tight spaces
- Enclosed head design with extreme resistance to dirt infiltration
- Highly visible on/off markings on the head for fast size identification
- Bright, full polish chrome finish easily wipes clean and resists corrosion
- Meets or exceeds ASME specifications



**120XP**

Cat. No.	Overall Length	Head Width	Head Thickness	Tooth Count	Repair Kit	Product Weight
81034	9 in	.98 in	.39 in	120XP	81099P	0.765 lb

### 1/4" Drive 120XP™ Flex Head Teardrop Ratchet

- 120XP™ ratchets have two double stacked 60 tooth pawls (120 positions) providing a 3° swing arc so you can turn fasteners in tighter confines
- Double-stacked pawls alternately engage the 60 tooth gear, providing exceptional strength
- Flexible head provides access for hard to reach fasteners
- Highly visible on/off markings on the head for fast size identification
- Enclosed head design for extreme resistance to dirt infiltration
- Teardrop, low-profile head and flush-mounted on/off switch allow better access in tight spaces
- Longer reach handle to access hard-to-reach fasteners
- Bright, full polish chrome finish easily wipes clean and resists corrosion
- Meets or exceeds ASME specifications



**120XP**

Cat. No.	Overall Length	Head Width	Head Thickness	Tooth Count	No. of Positions	Repair Kit	Product Weight
81012P	6.85 in	1.02 in	0.41 in	120XP	6	81099P	0.33 lb

### 1/4" Drive 120XP™ Dual Material Flex Head Teardrop Ratchet

- 120XP™ ratchets have two double stacked 60 tooth pawls (120 positions) providing a 3° swing arc so you can turn fasteners in tighter confines
- Double-stacked pawls alternately engage the 60 tooth gear, providing exceptional strength
- Flexible head provides access for hard to reach fasteners
- Highly visible on/off markings on the head for fast size identification
- Enclosed head design for extreme resistance to dirt infiltration
- Teardrop, low-profile head and flush-mounted on/off switch allow better access in tight spaces
- Longer reach handle to access hard-to-reach fasteners
- Dual material comfort grip handle
- Bright, full polish chrome finish easily wipes clean and resists corrosion
- Meets or exceeds ASME specifications



**120XP**

Cat. No.	Overall Length	Head Width	Head Thickness	Tooth Count	No. of Positions	Repair Kit	Product Weight
81009P	8.18 in	1.01 in	0.41 in	120XP	6	81099P	0.33 lb

### 1/4" Drive 84 Tooth Teardrop Ratchet

- 84 tooth teardrop ratchets, with flush-mounted on/off levers and a full polish chrome finish
- Bright, full polish chrome finish easily wipes clean and resists corrosion
- Meets or exceeds ASME specifications



Cat. No.	Overall Length	Head Width	Head Thickness	Tooth Count	Repair Kit	Product Weight
81011F	5.130 in	0.98 in	0.35 in	84	81099F	0.27 lb

### 1/4" Drive 84 Tooth Dual Material Teardrop Ratchet

- 84 tooth gear offers a 4.3° swing arc for easy access
- Teardrop shaped head and flush-mounted on/off switch allow even more access in tight spaces
- Bright, full polish chrome finish easily wipes clean and resists corrosion
- Dual material comfort grip handle
- Meets or exceeds ASME specifications



Cat. No.	Overall Length	Head Width	Head Thickness	Tooth Count	Repair Kit	Product Weight
81007F	6.42 in	0.98 in	0.35 in	84	81099F	0.34 lb



### 1/4" Drive 84 Tooth Long Handle Teardrop Ratchet

- 84 tooth gear offers a 4.3° swing arc for easy access
- Flush mounted on/off lever
- Teardrop shaped head for improved access
- Long, full polish chrome handle for increased access
- Meets or exceeds ASME specifications



Cat. No.	Overall Length	Head Width	Head Thickness	Tooth Count	Repair Kit	Product Weight
81028	6.87 in	0.96 in	0.35 in	84	81099F	0.28 lb

### 1/4" Drive 84 Tooth Long Handle Dual Material Teardrop Ratchet

- 84 tooth teardrop ratchets, with flush-mounted on/off levers and a full polish chrome finish
- Bright, full polish chrome finish easily wipes clean and resists corrosion
- Long, dual material comfort handle for increased access
- Meets or exceeds ASME specifications



Cat. No.	Overall Length	Head Width	Head Thickness	Tooth Count	Repair Kit	Product Weight
81029	8.18 in	0.98 in	0.35 in	84	81099F	0.28 lb

### 1/4" Drive 84 Tooth Flex Head Teardrop Ratchet

- 84 tooth gear offers a 4.3° swing arc for easy access
- Teardrop shaped head and flush-mounted on/off switch allow even more access in tight spaces
- Bright, full polish chrome finish easily wipes clean and resists corrosion
- Meets or exceeds ASME specifications



Cat. No.	Overall Length	Head Width	Head Thickness	Tooth Count	Repair Kit	Product Weight
81012F	6.970 in	0.98 in	0.35 in	84	81099F	0.32 lb

### 1/4" Drive 84 Tooth Dual Material Flex Head Teardrop Ratchet

- 84 tooth gear offers a 4.3° swing arc for easy access
- Teardrop shaped head and flush-mounted on/off switch allow even more access in tight spaces
- Bright, full polish chrome finish easily wipes clean and resists corrosion
- Dual material comfort grip handle
- Meets or exceeds ASME specifications



Cat. No.	Overall Length	Head Width	Head Thickness	Tooth Count	Repair Kit	Product Weight
81009F	7.76 in	0.98 in	0.35 in	84	81099F	0.39 lb

### 1/4" Drive 84 Tooth Locking Flex Head Teardrop Ratchet

- 84 tooth gear offers a 4.3° swing arc for easy access
- Locking flex head with 9-locked and unlocked positions for adjustable access angle
- Teardrop, low-profile head and flush-mounted on/off switch allow even more access in tight spaces
- Enclosed head design for extreme resistance to dirt infiltration
- Bright, full polish chrome finish easily wipes clean and resists corrosion
- Meets or exceeds ASME specifications



Cat. No.	Overall Length	Head Width	Head Thickness	Tooth Count	No. of Positions	Repair Kit	Product Weight
81015	6.97 in	0.98 in	0.35 in	84	9	81099F	0.33 lb

### 1/4" Drive 84 Tooth Dual Material Locking Flex Head Teardrop Ratchet

- 84 tooth gear offers a 4.3° swing arc for easy access
- Locking flex head with 9-locked and unlocked positions for adjustable access angle
- Teardrop, low-profile head and flush-mounted on/off switch allow even more access in tight spaces
- Enclosed head design for extreme resistance to dirt infiltration
- Bright, full polish chrome finish easily wipes clean and resists corrosion
- Dual material comfort grip handle
- Meets or exceeds ASME specifications



Cat. No.	Overall Length	Head Width	Head Thickness	Tooth Count	No. of Positions	Repair Kit	Product Weight
81016	8.23 in	0.98 in	0.35 in	84	9	81099F	0.33 lb

### 1/4" Drive 72 Tooth Dual Material Roto Ratchet

- 360° rotating head for maximum speed and access
- 72 tooth ratchet turns fasteners with a 5° swing arc
- Round shaped head works well around obstacles
- Dual material comfort grip handle for a non-clip grip
- Bright, full polish chrome finish easily wipes clean and resists corrosion
- Meets or exceeds ASME specifications



Cat. No.	Overall Length	Head Width	Head Thickness	Tooth Count	Product Weight
81224	6.75 in	1.25 in	0.59 in	72	0.36 lb

### 1/4" Drive 72 Tooth Quick Release Locking Flex Slim Head Ratchets

- Multi-functional adaptor head converts between bit driver and 1/4" drive ratchet
- Locking flex-head has 9 positions for maximum access
- Includes 6 & 12 inch slim head ratchets for access to a wider variety of fasteners
- Slim line head design - 0.73" wide, 0.49" thick - for improved access
- Flush-mounted forward/reverse lever
- Bright, full polish chrome finish easily wipes clean and resists corrosion
- Meets or exceeds ASME specifications



Cat. No.	Overall Length	Head Width	Head Thickness	Tooth Count	No. of Positions	Repair Kit	Product Weight
81025	6 in	.73 in	.49 in	72	9	81022 81038	0.315 lb
81030	12 in	.73 in	.49 in	72	9	81022 81038	0.455 lb

### 1/4" Drive 45 Tooth Quick Release Teardrop Ratchet

- 45 tooth teardrop shaped head with on/off switch allow even more access in tight spaces
- Quick release design allows for rapid socket removal
- Bright chrome finish wipes clean easily and resists rust or corrosion
- Meets or exceeds ASME specifications



Cat. No.	Overall Length	Head Width	Head Thickness	Tooth Count	Product Weight
81014	5.630 in	1.00 in	0.47 in	45	0.30 lb

### 1/4" Drive 72 Tooth Gimbal Ratchet

- Gimbal design allows ratchet to pivot in two directions for easier access
- 72 tooth ratcheting mechanism with a 5° swing arc
- Anodized aluminum finish
- Easy to use forward/reverse lever
- Meets or exceeds ASME specifications



Cat. No.	Tooth Count	Product Weight
81027	72	0.20 lb

### 1/4" Drive 72 Tooth Thumbwheel Ratchet

- 72 tooth gear for 5° ratchet angle
- Easy to adjust reversing lever for improved functionality
- Contoured handle offers maximum grip force



Cat. No.	Tooth Count	Product Weight
81008	72	0.31 lb

### 1/4" Drive Ratchet Repair Kits

- For non-quick release and non-roto ratchets



Cat. No.	Description	Fits Product Number	Tooth Count	Product Weight
81099F	1/4" Drive Non-Quick Release Ratchet Repair Kit 84 Tooth	81011 81012 81007 81009 81011F 81012F 81007F 81009F	84	0.04 lb
81099P	1/4" Drive 120XP™ Non-Quick Release Dual Pawl Ratchet Repair Kit	81009P 81011P 81012P	120XP	0.06 lb

### 1/4" Drive Slim Head Ratchet Repair Parts

- For GEARWRENCH slim head ratchets 81025, 81030 and 81032



Cat. No.	Description	Fits Product Number	Tooth Count	Product Weight
81022	1/4" Drive 72 Tooth Slim Head Ratchet Repair Kit	81025 81030	72	0.085 lb
81038	1/4" Drive Slim Head Ratchet Tang Adapters	81025 81030	-	0.050 lb

### 1/4" Drive Spinner Handle

- Ball detent for secure socket retention
- Bright, full polish chrome finish easily wipes clean and resists corrosion
- Dual material handles offers a more comfortable grip



Cat. No.	Overall Length	Product Weight
81128	7.75 in	0.30 lb

### 1/4" Drive Flex Handle/Breaker Bar

- 180° flex tang for greater access
- Ball detent for secure socket retention
- 5-1/4" overall length
- Ergonomic handle for reduced user fatigue
- Bright, full polish chrome finish easily wipes clean and resists corrosion
- Meets or exceeds ASME specifications



Cat. No.	Overall Length	Product Weight
81013	5.4 in	0.26 lb

### 1/4" Drive Universal Joint

- Universal joint allows for greater access
- Ball detent for secure socket retention
- Bright, full polish chrome finish easily wipes clean and resists corrosion



Cat. No.	Overall Length	Product Weight
80100	1.375 in	0.04 lb

### 1/4" Drive Adapter

- Ball detent for secure socket retention
- Bright, full polish chrome finish easily wipes clean and resists corrosion



Cat. No.	Overall Length	Female Drive Size	Male Drive Size	Product Weight
81127	1 in	1/4"	3/8"	0.04 lb

### 5 Pc. 1/4" Drive Extension Set

- Ball detent for secure socket retention
- Knurled grip provides a nonslip surface
- Bright, full polish chrome finish easily wipes clean and resists corrosion
- Includes tray for storage and organization



Cat. No.	Included Storage	Product Weight
81002D	Tray	0.99 lb

Cat. No.	Description	Cat. No.	Description
81101	1/4" Drive Extension 2"	81116	1/4" Drive Extension 6"
81113D	1/4" Drive Extension 3"	81118	1/4" Drive Extension 14"
81114D	1/4" Drive Extension 4"		



### 1/4" Drive Extensions

- Ball detent for secure socket retention
- Knurled grip provides a nonslip surface
- Hard stamped size markings
- Bright, full polish chrome finish easily wipes clean and resists corrosion



Cat. No.	Overall Length	Wobble	Product Weight
81101	2 in	No	0.04 lb
81113D	3 in	No	0.07 lb
81114D	4 in	No	0.09 lb
81116	6 in	No	0.15 lb
81117D	10 in	No	0.38 lb
81118	14 in	No	0.31 lb

### 4 Pc. 1/4" Drive Wobble Extension Set

- Functions as a standard extension when fully inserted or as a wobble extension if partially inserted
- Knurled grip provides non-slip surface
- Full polish chrome finish wipes clean easily
- Includes tray for storage and organization



Cat. No.	Included Storage	Product Weight
81004D	Tray	0.83 lb

Cat. No.	Description	Cat. No.	Description
81119	1/4" Drive Wobble Extension 2"	81121	1/4" Drive Wobble Extension 6"
81120	1/4" Drive Wobble Extension 4"	81122	1/4" Drive Wobble Extension 14"

### 1/4" Drive Wobble Extensions

- Ball detent for secure socket retention
- Knurled grip provides a nonslip surface
- Bright, full polish chrome finish easily wipes clean and resists corrosion



Cat. No.	Overall Length	Wobble	Product Weight
81119	2 in	Yes	0.04 lb
81120	4 in	Yes	0.09 lb
81121	6 in	Yes	0.15 lb
81122	14 in	Yes	0.31 lb

### 3 Pc. 1/4" Drive Locking Extension Set

- Ball detent for secure socket retention
- Knurled grip provides a nonslip surface
- Bright, full polish chrome finish easily wipes clean and resists corrosion



Cat. No.	Included Storage	Product Weight
81003	None	0.35 lb

Cat. No.	Description
81123	1/4" Drive Locking Extension 2"
81124	1/4" Drive Locking Extension 3"
81126	1/4" Drive Locking Extension 6"

### 1/4" Drive Locking Extensions

- Ball detent for secure socket retention
- Knurled grip provides a nonslip surface
- Bright, full polish chrome finish easily wipes clean and resists corrosion



Cat. No.	Overall Length	Wobble	Product Weight
81123	2 in	No	0.04 lb
81124	3 in	No	0.09 lb
81126	6 in	No	0.20 lb

### 1/4" Drive 6 Point Standard Length Sockets

- Off-corner loading design reduces fastener rounding
- Chamfered opening quickly guides fasteners into socket
- Hard stamped size markings
- Double line (SAE) and knurled (metric) ring help easily identify standard and metric sockets
- Bright, full polish chrome finish easily wipes clean and resists corrosion
- Meets or exceeds ASME specifications



Cat. No.	SAE/Metric	Fastener Size	Dim. A: Drive End	Dim. B: Wrench End	Dim. C: Overall Length	Dim. D: Bolt Clearance	Dim. E: Wrench Depth	Dim. F: Length to Shoulder	Product Weight
80104D	SAE	5/32 in	0.465 in	0.272 in	0.965 in	0.134 in	0.295 in	0.453 in	0.02 lb
80105	SAE	3/16 in	0.465 in	0.307 in	0.965 in	0.157 in	0.315 in	0.453 in	0.02 lb
80106	SAE	7/32 in	0.465 in	0.335 in	0.965 in	0.157 in	0.315 in	0.453 in	0.02 lb
80107	SAE	1/4 in	0.465 in	0.374 in	0.965 in	0.157 in	0.354 in	0.453 in	0.02 lb
80108	SAE	9/32 in	0.465 in	0.421 in	0.965 in	0.220 in	0.394 in	0.453 in	0.02 lb
80109	SAE	5/16 in	0.465 in	0.453 in	0.965 in	0.220 in	0.413 in	0.453 in	0.02 lb
80110	SAE	11/32 in	0.492 in	0.492 in	0.965 in	0.220 in	0.413 in	0.453 in	0.04 lb
80111	SAE	3/8 in	0.543 in	0.543 in	0.965 in	0.220 in	0.492 in	0.453 in	0.02 lb
80112	SAE	7/16 in	0.618 in	0.618 in	0.965 in	0.220 in	0.492 in	0.453 in	0.03 lb
80113D	SAE	1/2 in	0.681 in	0.681 in	0.965 in	0.220 in	0.492 in	0.453 in	0.03 lb
80114D	SAE	9/16 in	0.768 in	0.768 in	0.965 in	0.220 in	0.571 in	0.453 in	0.04 lb
80125	Metric	4 mm	0.465 in	0.264 in	0.965 in	0.134 in	0.315 in	0.453 in	0.01 lb
80126	Metric	5 mm	0.465 in	0.315 in	0.965 in	0.157 in	0.315 in	0.453 in	0.02 lb
80127	Metric	5.5 mm	0.465 in	0.339 in	0.965 in	0.157 in	0.315 in	0.453 in	0.02 lb
80128	Metric	6 mm	0.465 in	0.362 in	0.965 in	0.157 in	0.354 in	0.453 in	0.02 lb
80129	Metric	7 mm	0.465 in	0.421 in	0.965 in	0.220 in	0.374 in	0.453 in	0.02 lb
80130	Metric	8 mm	0.465 in	0.453 in	0.965 in	0.220 in	0.394 in	0.453 in	0.02 lb
80131D	Metric	9 mm	0.516 in	0.516 in	0.965 in	0.220 in	0.413 in	0.453 in	0.02 lb
80132	Metric	10 mm	0.563 in	0.563 in	0.965 in	0.220 in	0.492 in	0.453 in	0.04 lb
80133	Metric	11 mm	0.622 in	0.622 in	0.965 in	0.220 in	0.492 in	0.453 in	0.03 lb
80134	Metric	12 mm	0.661 in	0.661 in	0.965 in	0.220 in	0.492 in	0.453 in	0.03 lb
80135D	Metric	13 mm	0.705 in	0.705 in	0.965 in	0.220 in	0.492 in	0.453 in	0.04 lb
80136	Metric	14 mm	0.768 in	0.768 in	0.965 in	0.220 in	0.571 in	0.453 in	0.04 lb
80137	Metric	15 mm	0.819 in	0.819 in	0.965 in	0.220 in	0.571 in	0.453 in	0.07 lb

### 1/4" Drive 12 Point Standard Length Sockets

- Off-corner loading design reduces fastener rounding
- Chamfered opening quickly guides fasteners into socket
- Hard stamped size markings
- Double line (SAE) and knurled (metric) ring help easily identify standard and metric sockets
- Bright, full polish chrome finish easily wipes clean and resists corrosion
- Meets or exceeds ASME specifications



Cat. No.	SAE/Metric	Fastener Size	Dim. A: Drive End	Dim. B: Wrench End	Dim. C: Overall Length	Dim. D: Bolt Clearance	Dim. E: Wrench Depth	Dim. F: Length to Shoulder	Product Weight
80290	SAE	5/32 in	0.465 in	0.272 in	0.965 in	0.134 in	0.295 in	0.453 in	0.02 lb
80210	SAE	3/16 in	0.465 in	0.307 in	0.965 in	0.157 in	0.315 in	0.453 in	0.02 lb
80211	SAE	7/32 in	0.465 in	0.335 in	0.965 in	0.157 in	0.315 in	0.453 in	0.02 lb
80212	SAE	1/4 in	0.465 in	0.374 in	0.965 in	0.157 in	0.354 in	0.453 in	0.02 lb
80213	SAE	9/32 in	0.465 in	0.421 in	0.965 in	0.220 in	0.394 in	0.453 in	0.02 lb
80214	SAE	5/16 in	0.465 in	0.453 in	0.965 in	0.220 in	0.413 in	0.453 in	0.02 lb
80215D	SAE	11/32 in	0.492 in	0.492 in	0.965 in	0.220 in	0.413 in	0.453 in	0.03 lb
80216	SAE	3/8 in	0.543 in	0.543 in	0.965 in	0.220 in	0.492 in	0.453 in	0.03 lb
80217	SAE	7/16 in	0.618 in	0.618 in	0.965 in	0.220 in	0.492 in	0.453 in	0.04 lb
80218	SAE	1/2 in	0.681 in	0.681 in	0.965 in	0.220 in	0.492 in	0.453 in	0.06 lb
80219	SAE	9/16 in	0.768 in	0.768 in	0.965 in	0.220 in	0.571 in	0.453 in	0.06 lb
80197	Metric	4 mm	0.465 in	0.264 in	0.965 in	0.134 in	0.315 in	0.453 in	0.02 lb
80198	Metric	5 mm	0.465 in	0.315 in	0.965 in	0.157 in	0.315 in	0.453 in	0.02 lb
80199	Metric	5.5 mm	0.465 in	0.339 in	0.965 in	0.157 in	0.315 in	0.453 in	0.02 lb
80200	Metric	6 mm	0.465 in	0.362 in	0.965 in	0.157 in	0.354 in	0.453 in	0.02 lb
80201	Metric	7 mm	0.465 in	0.421 in	0.965 in	0.220 in	0.374 in	0.453 in	0.02 lb
80202	Metric	8 mm	0.465 in	0.453 in	0.965 in	0.220 in	0.394 in	0.453 in	0.03 lb
80203	Metric	9 mm	0.516 in	0.516 in	0.965 in	0.220 in	0.413 in	0.453 in	0.03 lb
80204	Metric	10 mm	0.563 in	0.563 in	0.965 in	0.220 in	0.492 in	0.453 in	0.04 lb
80205	Metric	11 mm	0.622 in	0.622 in	0.965 in	0.220 in	0.492 in	0.453 in	0.04 lb
80206	Metric	12 mm	0.661 in	0.661 in	0.965 in	0.220 in	0.492 in	0.453 in	0.05 lb
80207	Metric	13 mm	0.705 in	0.705 in	0.965 in	0.220 in	0.492 in	0.453 in	0.06 lb
80208	Metric	14 mm	0.768 in	0.768 in	0.965 in	0.220 in	0.571 in	0.453 in	0.06 lb
80209	Metric	15 mm	0.819 in	0.819 in	0.965 in	0.220 in	0.571 in	0.453 in	0.07 lb

### 1/4" Drive 6 Point Mid Length Sockets

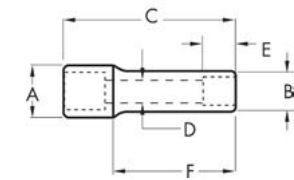
- Mid-length design for access to fasteners in hard-to-reach places
- Off-corner loading reduces fastener rounding
- Chamfered opening quickly guides fasteners into the socket
- Double line (SAE) and knurled (metric) ring help easily identify standard and metric sockets
- Hard stamped size markings
- Bright, full polish chrome finish easily wipes clean and resists corrosion
- Meets or exceeds ASME specifications



Cat. No.	SAE/Metric	Fastener Size	Dim. A: Drive End	Dim. B: Wrench End	Dim. C: Overall Length	Dim. D: Bolt Clearance	Dim. E: Wrench Depth	Product Weight
80115S	SAE	3/16 in	0.46 in	0.30 in	1.25 in	0.12 in	0.31 in	0.03 lb
80116S	SAE	7/32 in	0.46 in	0.34 in	1.25 in	0.16 in	0.47 in	0.03 lb
80117S	SAE	1/4 in	0.46 in	0.37 in	1.25 in	0.18 in	0.51 in	0.03 lb
80118S	SAE	9/32 in	0.46 in	0.42 in	1.25 in	0.20 in	0.51 in	0.03 lb
80119S	SAE	5/16 in	0.46 in	0.46 in	1.25 in	0.20 in	0.53 in	0.03 lb
80120S	SAE	11/32 in	0.50 in	0.50 in	1.25 in	0.24 in	0.53 in	0.04 lb
80121S	SAE	3/8 in	0.57 in	0.57 in	1.25 in	0.30 in	0.53 in	0.05 lb
80122S	SAE	7/16 in	0.55 in	0.62 in	1.25 in	0.35 in	0.57 in	0.06 lb
80123S	SAE	1/2 in	0.63 in	0.70 in	1.25 in	0.39 in	0.57 in	0.07 lb
80124S	SAE	9/16 in	0.71 in	0.78 in	1.25 in	0.47 in	0.57 in	0.09 lb
80138S	Metric	4 mm	0.46 in	0.27 in	1.25 in	0.08 in	0.31 in	0.03 lb
80139S	Metric	5 mm	0.46 in	0.31 in	1.25 in	0.12 in	0.31 in	0.03 lb
80140S	Metric	5.5 mm	0.46 in	0.34 in	1.25 in	0.14 in	0.47 in	0.03 lb
80141S	Metric	6 mm	0.46 in	0.36 in	1.25 in	0.16 in	0.51 in	0.03 lb
80142S	Metric	7 mm	0.46 in	0.41 in	1.25 in	0.20 in	0.51 in	0.03 lb
80143S	Metric	8 mm	0.46 in	0.46 in	1.25 in	0.24 in	0.53 in	0.03 lb
80144S	Metric	9 mm	0.50 in	0.50 in	1.25 in	0.28 in	0.53 in	0.04 lb
80145S	Metric	10 mm	0.57 in	0.57 in	1.25 in	0.31 in	0.53 in	0.05 lb
80146S	Metric	11 mm	0.55 in	0.55 in	1.25 in	0.35 in	0.57 in	0.06 lb
80147S	Metric	12 mm	0.59 in	0.59 in	1.25 in	0.39 in	0.57 in	0.06 lb
80148S	Metric	13 mm	0.63 in	0.63 in	1.25 in	0.43 in	0.57 in	0.07 lb
80149S	Metric	14 mm	0.71 in	0.71 in	1.25 in	0.47 in	0.57 in	0.10 lb
80150S	Metric	15 mm	0.79 in	0.79 in	1.25 in	0.51 in	0.57 in	0.12 lb

### 1/4" Drive 6 Point Deep Length Sockets

- Off-corner loading design reduces fastener rounding
- Chamfered opening quickly guides fasteners into socket
- Hard stamped size markings
- Double line (SAE) and knurled (metric) ring help easily identify standard and metric sockets
- Bright, full polish chrome finish easily wipes clean and resists corrosion
- Meets or exceeds ASME specifications

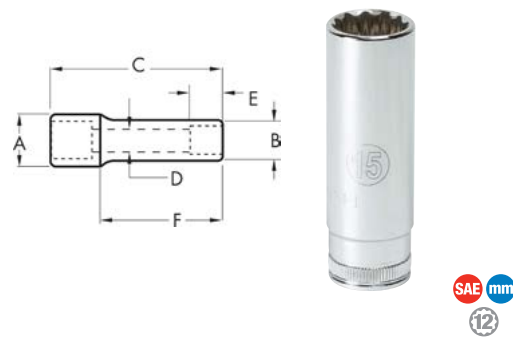


Cat. No.	Drive Type	Fastener Size	Dim. A: Drive End	Dim. B: Wrench End	Dim. C: Overall Length	Dim. D: Bolt Clearance	Dim. E: Wrench Depth	Dim. F: Length to Shoulder	Product Weight
80115	6 Point	3/16 in	0.469 in	0.307 in	1.929 in	0.177 in	0.138 in	0.866 in	0.044 lb
80116D	6 Point	7/32 in	0.469 in	0.346 in	1.929 in	0.197 in	0.138 in	0.866 in	0.03 lb
80117	6 Point	1/4 in	0.469 in	0.390 in	1.929 in	0.217 in	0.157 in	0.866 in	0.04 lb
80118	6 Point	9/32 in	0.469 in	0.433 in	1.929 in	0.217 in	0.197 in	0.866 in	0.04 lb
80119	6 Point	5/16 in	0.469 in	0.453 in	1.929 in	0.217 in	0.197 in	0.866 in	0.03 lb
80120D	6 Point	11/32 in	0.516 in	0.516 in	1.929 in	0.217 in	0.197 in	0.866 in	0.04 lb
80121	6 Point	3/8 in	0.575 in	0.575 in	1.929 in	0.217 in	0.201 in	0.866 in	0.08 lb
80122D	6 Point	7/16 in	0.626 in	0.626 in	1.929 in	0.217 in	0.236 in	0.866 in	0.06 lb
80123	6 Point	1/2 in	0.705 in	0.705 in	1.929 in	0.217 in	0.287 in	0.866 in	0.12 lb
80124	6 Point	9/16 in	0.772 in	0.772 in	1.929 in	0.217 in	0.350 in	0.866 in	0.07 lb
80138	6 Point	4 mm	0.469 in	0.264 in	1.929 in	0.138 in	0.118 in	0.866 in	0.03 lb
80139	6 Point	5 mm	0.469 in	0.315 in	1.929 in	0.177 in	0.138 in	0.866 in	0.03 lb
80140	6 Point	5.5 mm	0.469 in	0.339 in	1.929 in	0.197 in	0.138 in	0.866 in	0.03 lb
80141	6 Point	6 mm	0.469 in	0.362 in	1.929 in	0.217 in	0.157 in	0.866 in	0.03 lb
80142	6 Point	7 mm	0.469 in	0.425 in	1.929 in	0.217 in	0.197 in	0.866 in	0.07 lb
80143	6 Point	8 mm	0.469 in	0.453 in	1.929 in	0.217 in	0.197 in	0.866 in	0.07 lb
80144	6 Point	9 mm	0.516 in	0.516 in	1.929 in	0.217 in	0.197 in	0.866 in	0.04 lb
80145	6 Point	10 mm	0.575 in	0.575 in	1.929 in	0.217 in	0.217 in	0.866 in	0.11 lb
80146D	6 Point	11 mm	0.626 in	0.626 in	1.929 in	0.217 in	0.256 in	0.866 in	0.10 lb
80147	6 Point	12 mm	0.665 in	0.665 in	1.929 in	0.217 in	0.276 in	0.866 in	0.13 lb
80148	6 Point	13 mm	0.705 in	0.705 in	1.929 in	0.217 in	0.303 in	0.866 in	0.12 lb
80149	6 Point	14 mm	0.772 in	0.772 in	1.929 in	0.217 in	0.350 in	0.866 in	0.13 lb
80150	6 Point	15 mm	0.819 in	0.819 in	1.929 in	0.217 in	0.350 in	0.866 in	0.15 lb



### 1/4" Drive 12 Point Deep Length Sockets

- Off-corner loading design reduces fastener rounding
- Chamfered opening quickly guides fasteners into socket
- Hard stamped size markings
- Double line (SAE) and knurled (metric) ring help easily identify standard and metric sockets
- Bright, full polish chrome finish easily wipes clean and resists corrosion
- Meets or exceeds ASME specifications



Cat. No.	SAE/Metric	Fastener Size	Dim. A: Drive End	Dim. B: Wrench End	Dim. C: Overall Length	Dim. D: Bolt Clearance	Dim. E: Wrench Depth	Dim. F: Length to Shoulder	Product Weight
80220	SAE	3/16 in	0.469 in	0.307 in	1.929 in	0.177 in	0.138 in	0.866 in	0.04 lb
80221	SAE	7/32 in	0.469 in	0.346 in	1.929 in	0.197 in	0.138 in	0.866 in	0.04 lb
80222	SAE	1/4 in	0.469 in	0.390 in	1.929 in	0.217 in	0.157 in	0.866 in	0.05 lb
80223D	SAE	9/32 in	0.469 in	0.433 in	1.929 in	0.217 in	0.197 in	0.866 in	0.05 lb
80224	SAE	5/16 in	0.469 in	0.453 in	1.929 in	0.217 in	0.197 in	0.866 in	0.05 lb
80225	SAE	11/32 in	0.516 in	0.516 in	1.929 in	0.217 in	0.197 in	0.866 in	0.05 lb
80226	SAE	3/8 in	0.575 in	0.575 in	1.929 in	0.217 in	0.201 in	0.866 in	0.06 lb
80227	SAE	7/16 in	0.626 in	0.626 in	1.929 in	0.217 in	0.236 in	0.866 in	0.09 lb
80228	SAE	1/2 in	0.705 in	0.705 in	1.929 in	0.217 in	0.287 in	0.866 in	0.10 lb
80229	SAE	9/16 in	0.772 in	0.772 in	1.929 in	0.217 in	0.350 in	0.866 in	0.13 lb
80230	Metric	4 mm	0.469 in	0.264 in	1.929 in	0.138 in	0.118 in	0.866 in	0.13 lb
80231	Metric	5 mm	0.469 in	0.315 in	1.929 in	0.177 in	0.138 in	0.866 in	0.04 lb
80232	Metric	5.5 mm	0.469 in	0.339 in	1.929 in	0.197 in	0.138 in	0.866 in	0.04 lb
80233	Metric	6 mm	0.469 in	0.362 in	1.929 in	0.217 in	0.157 in	0.866 in	0.04 lb
80234	Metric	7 mm	0.469 in	0.425 in	1.929 in	0.217 in	0.197 in	0.866 in	0.05 lb
80235	Metric	8 mm	0.469 in	0.453 in	1.929 in	0.217 in	0.197 in	0.866 in	0.06 lb
80236	Metric	9 mm	0.516 in	0.516 in	1.929 in	0.217 in	0.197 in	0.866 in	0.06 lb
80237	Metric	10 mm	0.575 in	0.575 in	1.929 in	0.217 in	0.217 in	0.866 in	0.07 lb
80238	Metric	11 mm	0.626 in	0.626 in	1.929 in	0.217 in	0.256 in	0.866 in	0.08 lb
80239D	Metric	12 mm	0.665 in	0.665 in	1.929 in	0.217 in	0.276 in	0.866 in	0.11 lb
80240	Metric	13 mm	0.705 in	0.705 in	1.929 in	0.217 in	0.303 in	0.866 in	0.12 lb
80241	Metric	14 mm	0.772 in	0.772 in	1.929 in	0.217 in	0.350 in	0.866 in	0.13 lb
80242	Metric	15 mm	0.819 in	0.819 in	1.929 in	0.217 in	0.350 in	0.866 in	0.15 lb

### 1/4" Drive 6 Point Flex Sockets

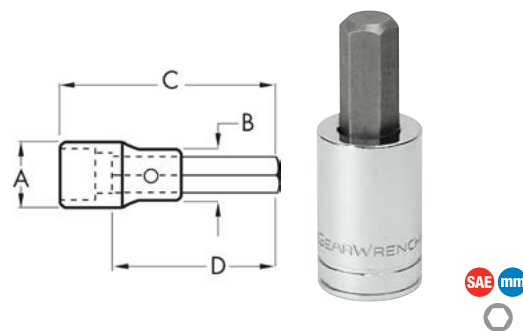
- Universal socket design allows for greater angled access to fasteners
- Off-corner loading design reduces fastener rounding
- Bright, full polish chrome finish easily wipes clean and resists corrosion
- Hard stamped size markings



Cat. No.	SAE/Metric	Fastener Size	Dim. A: Drive End	Dim. B: Wrench End	Dim. C: Overall Length	Dim. E: Wrench Depth	Product Weight
80262	SAE	3/16 in	0.551 in	0.378 in	1.378 in	0.240 in	0.04 lb
80263D	SAE	1/4 in	0.551 in	0.378 in	1.378 in	0.270 in	0.04 lb
80264	SAE	5/16 in	0.551 in	0.465 in	1.378 in	0.240 in	0.04 lb
80265	SAE	3/8 in	0.551 in	0.598 in	1.457 in	0.300 in	0.06 lb
80266	SAE	7/16 in	0.551 in	0.677 in	1.457 in	0.320 in	0.06 lb
80267	SAE	1/2 in	0.551 in	0.740 in	1.457 in	0.320 in	0.06 lb
80268	SAE	9/16 in	0.551 in	0.315 in	1.457 in	0.420 in	0.06 lb
80250	Metric	5 mm	0.551 in	0.337 in	1.378 in	0.270 in	0.04 lb
80251D	Metric	5.5 mm	0.551 in	0.378 in	1.378 in	0.290 in	0.04 lb
80252	Metric	6 mm	0.551 in	0.425 in	1.378 in	0.290 in	0.04 lb
80253	Metric	7 mm	0.551 in	0.465 in	1.378 in	0.270 in	0.06 lb
80254	Metric	8 mm	0.551 in	0.465 in	1.378 in	0.270 in	0.04 lb
80255	Metric	9 mm	0.551 in	0.500 in	1.457 in	0.300 in	0.05 lb
80256	Metric	10 mm	0.551 in	0.543 in	1.457 in	0.270 in	0.06 lb
80257	Metric	11 mm	0.551 in	0.598 in	1.457 in	0.320 in	0.06 lb
80258	Metric	12 mm	0.551 in	0.646 in	1.457 in	0.320 in	0.06 lb
80259	Metric	13 mm	0.551 in	0.677 in	1.457 in	0.320 in	0.06 lb
80260	Metric	14 mm	0.551 in	0.740 in	1.457 in	0.400 in	0.07 lb
80261	Metric	15 mm	0.551 in	0.799 in	1.457 in	0.400 in	0.07 lb

### 1/4" Drive Hex Bit Sockets

- Heat-treated socket base for durability
- S2 steel insert bits offer maximum strength
- Double line (SAE) and knurled (metric) ring help easily identify standard and metric sockets
- Hard stamped size markings
- Bright, full polish chrome finish easily wipes clean and resists corrosion
- Meets or exceeds ASME specifications



Cat. No.	SAE/Metric	Fastener Size	Dim. A: Drive End	Dim. B: Nose Diameter	Dim. C: Overall Length	Dim. D: Bit Length	Product Weight
80151D	SAE	1/16 in	0.508 in	0.508 in	1.53 in	0.984 in	0.05 lb
80152	SAE	5/64 in	0.508 in	0.508 in	1.53 in	0.984 in	0.05 lb
80153	SAE	3/32 in	0.508 in	0.508 in	1.53 in	0.984 in	0.05 lb
80154	SAE	7/64 in	0.508 in	0.508 in	1.53 in	0.984 in	0.05 lb
80155	SAE	1/8 in	0.508 in	0.508 in	1.53 in	0.984 in	0.05 lb
80156	SAE	9/64 in	0.508 in	0.508 in	1.53 in	0.984 in	0.05 lb
80157	SAE	5/32 in	0.508 in	0.508 in	1.53 in	0.984 in	0.05 lb
80158	SAE	3/16 in	0.508 in	0.508 in	1.53 in	0.984 in	0.05 lb
80159	SAE	7/32 in	0.508 in	0.508 in	1.53 in	0.984 in	0.05 lb
80160	SAE	1/4 in	0.508 in	0.508 in	1.53 in	0.984 in	0.05 lb
80161	Metric	2 mm	0.508 in	0.508 in	1.53 in	0.984 in	0.05 lb
80162	Metric	2.5 mm	0.508 in	0.508 in	1.53 in	0.984 in	0.05 lb
80163	Metric	3 mm	0.508 in	0.508 in	1.53 in	0.984 in	0.05 lb
80164	Metric	4 mm	0.508 in	0.508 in	1.53 in	0.984 in	0.05 lb
80165	Metric	5 mm	0.508 in	0.508 in	1.53 in	0.984 in	0.05 lb
80166	Metric	6 mm	0.508 in	0.508 in	1.53 in	0.984 in	0.05 lb

### 1/4" Drive Stubby Hex Bit Drivers

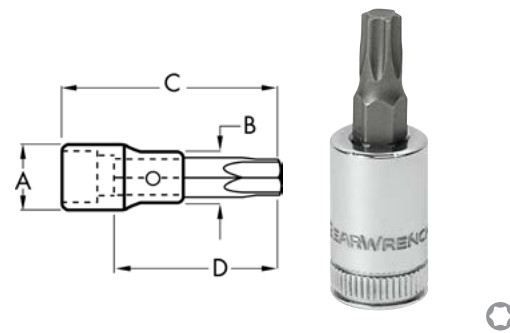
- Short overall length provides better access in tight spaces
- S2 steel for strength and durability
- Hard stamped size markings
- Satin finish for corrosion protection and simple cleaning
- Compact design provides additional access compared to standard bit sockets



Cat. No.	SAE/Metric	Fastener Size	Dim. A: Drive End	Dim. C: Overall Length	Product Weight
81140	SAE	3/32 in	0.472 in	0.98 in	0.02 lb
81141	SAE	7/64 in	0.472 in	0.98 in	0.02 lb
81142	SAE	1/8 in	0.472 in	0.98 in	0.02 lb
81143	SAE	5/32 in	0.472 in	0.98 in	0.02 lb
81144	SAE	3/16 in	0.472 in	0.98 in	0.02 lb
81145	SAE	7/32 in	0.472 in	0.98 in	0.02 lb
81146	SAE	1/4 in	0.472 in	0.98 in	0.03 lb
81147	SAE	5/16 in	0.472 in	0.98 in	0.03 lb
81148	SAE	3/8 in	0.472 in	0.98 in	0.03 lb
81150	Metric	2 mm	0.472 in	0.98 in	0.02 lb
81151	Metric	3 mm	0.472 in	0.98 in	0.02 lb
81152	Metric	4 mm	0.472 in	0.98 in	0.02 lb
81153	Metric	5 mm	0.472 in	0.98 in	0.02 lb
81154	Metric	6 mm	0.472 in	0.98 in	0.02 lb
81155	Metric	7 mm	0.472 in	0.98 in	0.02 lb
81156	Metric	8 mm	0.472 in	0.98 in	0.03 lb
81157	Metric	9 mm	0.472 in	0.98 in	0.03 lb
81158	Metric	10 mm	0.472 in	0.98 in	0.03 lb

### 1/4" Drive Torx® Bit Sockets

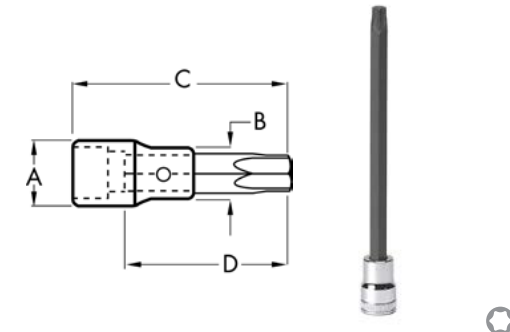
- Heat-treated socket base for durability
- S2 steel insert bits offer maximum strength
- Double line (SAE) and knurled (metric) ring help easily identify standard and metric sockets
- Hard stamped size markings
- Bright, full polish chrome finish easily wipes clean and resists corrosion
- Meets or exceeds ASME specifications



Cat. No.	Drive Type	Fastener Size	Dim. A: Drive End	Dim. B: Nose Diameter	Dim. C: Overall Length	Dim. D: Bit Length	Product Weight
80171	Torx®	T8	0.508 in	0.508 in	1.53 in	0.984 in	0.05 lb
80172	Torx®	T10	0.508 in	0.508 in	1.53 in	0.984 in	0.05 lb
80173	Torx®	T15	0.508 in	0.508 in	1.53 in	0.984 in	0.05 lb
80174	Torx®	T20	0.508 in	0.508 in	1.53 in	0.984 in	0.05 lb
80175	Torx®	T25	0.508 in	0.508 in	1.53 in	0.984 in	0.05 lb
80176D	Torx®	T27	0.508 in	0.508 in	1.53 in	0.984 in	0.05 lb
80177D	Torx®	T30	0.508 in	0.508 in	1.53 in	0.984 in	0.05 lb

### 1/4" Drive Long Torx® Bit Sockets

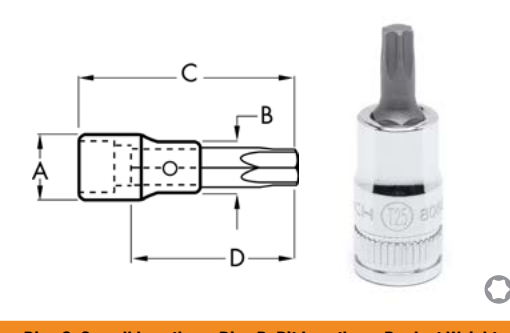
- Heat-treated socket base for durability
- S2 steel insert bits offer maximum strength
- Double line (SAE) and knurled (metric) ring help easily identify standard and metric sockets
- Hard stamped size markings
- Bright, full polish chrome finish easily wipes clean and resists corrosion
- Meets or exceeds ASME specifications



Cat. No.	Drive Type	Fastener Size	Dim. A: Drive End	Dim. B: Nose Diameter	Dim. C: Overall Length	Dim. D: Bit Length	Product Weight
82510	Torx®	T8	0.508 in	0.508 in	5.98 in	5.393 in	0.125 lb
82511	Torx®	T10	0.508 in	0.508 in	5.98 in	5.393 in	0.125 lb
82512	Torx®	T15	0.508 in	0.508 in	5.98 in	5.393 in	0.15 lb
82513	Torx®	T20	0.508 in	0.508 in	5.98 in	5.393 in	0.15 lb
82514	Torx®	T25	0.508 in	0.508 in	5.98 in	5.393 in	0.15 lb
82515	Torx®	T27	0.508 in	0.508 in	5.98 in	5.393 in	0.15 lb
82516	Torx®	T30	0.508 in	0.508 in	5.98 in	5.393 in	0.18 lb

### 1/4" Drive Stubby Torx® Bit Sockets

- Reduced overall bit length provides better access in tight spaces
- Heat-treated socket base for durability
- S2 steel insert bits offer maximum strength
- Hard stamped size markings
- Bright, full polish chrome finish easily wipes clean and resists corrosion
- Meets or exceeds ASME specifications



Cat. No.	Drive Type	Fastener Size	Dim. A: Drive End	Dim. B: Nose Diameter	Dim. C: Overall Length	Dim. D: Bit Length	Product Weight
80883	Torx®	T8	0.465 in	0.423 in	1.34 in	0.866 in	0.03 lb
80884	Torx®	T10	0.465 in	0.423 in	1.34 in	0.866 in	0.03 lb
80885	Torx®	T15	0.465 in	0.423 in	1.34 in	0.866 in	0.03 lb
80886	Torx®	T20	0.465 in	0.423 in	1.34 in	0.866 in	0.03 lb
80887	Torx®	T25	0.465 in	0.423 in	1.34 in	0.866 in	0.03 lb
80888	Torx®	T27	0.465 in	0.423 in	1.34 in	0.866 in	0.03 lb
80889	Torx®	T30	0.465 in	0.423 in	1.34 in	0.866 in	0.03 lb

### 1/4" Drive Stubby Torx® Bit Drivers

- Short overall length provides better access in tight spaces
- S2 steel for strength and durability
- Hard stamped size markings
- Satin finish for corrosion protection and simple cleaning
- Compact design provides additional access compared to standard bit sockets

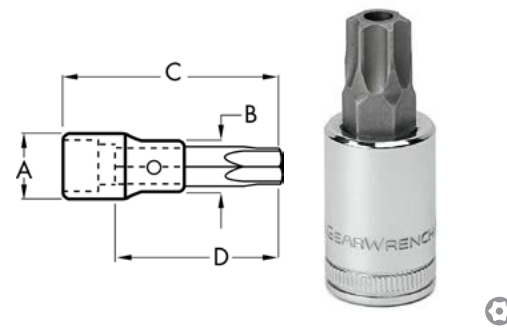


Cat. No.	Drive Type	Fastener Size	Dim. A: Drive End	Dim. C: Overall Length	Product Weight
81184	Torx®	T10	0.472 in	0.98 in	0.02 lb
81185	Torx®	T15	0.472 in	0.98 in	0.02 lb
81186	Torx®	T20	0.472 in	0.98 in	0.02 lb
81187	Torx®	T25	0.472 in	0.98 in	0.02 lb
81188	Torx®	T27	0.472 in	0.98 in	0.02 lb
81189	Torx®	T30	0.472 in	0.98 in	0.02 lb
81190	Torx®	T40	0.472 in	0.98 in	0.08 lb



### 1/4" Drive Tamper-Proof Torx® Bit Sockets

- Heat-treated socket base for durability
- S2 steel insert bits offer maximum strength
- Double line (SAE) and knurled (metric) ring help easily identify standard and metric sockets
- Hard stamped size markings
- Bright, full polish chrome finish easily wipes clean and resists corrosion
- Meets or exceeds ASME specifications



Cat. No.	Drive Type	Fastener Size	Dim. A: Drive End	Dim. B: Nose Diameter	Dim. C: Overall Length	Dim. D: Bit Length	Product Weight
80178	Tamper-Proof Torx®	T7	0.508 in	0.508 in	1.53 in	0.984 in	0.05 lb
80179	Tamper-Proof Torx®	T8	0.508 in	0.508 in	1.53 in	0.984 in	0.05 lb
80180	Tamper-Proof Torx®	T10	0.508 in	0.508 in	1.53 in	0.984 in	0.05 lb
80181	Tamper-Proof Torx®	T15	0.508 in	0.508 in	1.53 in	0.984 in	0.05 lb
80182	Tamper-Proof Torx®	T20	0.508 in	0.508 in	1.53 in	0.984 in	0.05 lb
80183	Tamper-Proof Torx®	T25	0.508 in	0.508 in	1.53 in	0.984 in	0.05 lb
80184	Tamper-Proof Torx®	T27	0.508 in	0.508 in	1.53 in	0.984 in	0.05 lb
80185	Tamper-Proof Torx®	T30	0.508 in	0.508 in	1.53 in	0.984 in	0.05 lb

### 1/4" Drive Universal Stubby Tamper-Proof Torx® Bit Sockets

- For use with tamper proof security fasteners
- Universal joint allows for greater access
- Bits made of S2 steel for strength and durability
- Optimized overall length provides even more access in tight spaces
- Hard stamped size markings
- Bright, full polish chrome finish easily wipes clean and resists corrosion



Cat. No.	Drive Type	Fastener Size	Dim. A: Drive End	Dim. B: Nose Diameter	Dim. C: Overall Length	Exposed Bit Length	Product Weight
81040	Tamper-Proof Torx®	T8	0.543 in	0.543 in	1.93 in	0.472 in	0.07 lb
81041	Tamper-Proof Torx®	T10	0.543 in	0.543 in	1.93 in	0.472 in	0.07 lb
81042	Tamper-Proof Torx®	T15	0.543 in	0.543 in	1.93 in	0.472 in	0.07 lb
81043	Tamper-Proof Torx®	T20	0.543 in	0.543 in	1.93 in	0.472 in	0.07 lb
81044	Tamper-Proof Torx®	T25	0.543 in	0.543 in	1.93 in	0.472 in	0.07 lb
81045	Tamper-Proof Torx®	T27	0.543 in	0.543 in	1.93 in	0.472 in	0.07 lb
81046	Tamper-Proof Torx®	T30	0.543 in	0.543 in	1.93 in	0.472 in	0.07 lb

### 1/4" Drive External Torx® Sockets

- For use with external torx fasteners
- Black oxide finish is corrosion resistant
- Heat-treated socket for durability
- Hard stamped size markings
- For use with manual drive tools only



Cat. No.	Drive Type	Fastener Size	Dim. A: Drive End	Dim. B: Nose Diameter	Dim. C: Overall Length	Dim. D: Bolt Clearance	Dim. E: Bolt Depth	Product Weight
80186	External Torx®	E4	0.508 in	0.251 in	0.984 in	0.078 in	0.137 in	0.13 lb
80187	External Torx®	E5	0.508 in	0.295 in	0.984 in	0.098 in	0.196 in	0.13 lb
80188D	External Torx®	E6	0.508 in	0.322 in	0.984 in	0.11 in	0.255 in	0.13 lb
80189	External Torx®	E7	0.508 in	0.370 in	0.984 in	0.15 in	0.255 in	0.13 lb
80190	External Torx®	E8	0.508 in	0.437 in	0.984 in	0.15 in	0.255 in	0.13 lb

### 1/4" Drive Deep External Torx® Sockets

- Heat-treated socket base for durability
- S2 steel insert bits offer maximum strength
- Double line (SAE) and knurled (metric) ring help easily identify standard and metric sockets
- Hard stamped size markings
- Bright, full polish chrome finish easily wipes clean and resists corrosion
- Meets or exceeds ASME specifications



Cat. No.	Drive Type	Fastener Size	Dim. A: Drive End	Dim. B: Nose Diameter	Dim. C: Overall Length	Product Weight
80191	External Torx®	E4	0.470 in	0.224 in	1.968 in	0.20 lb
80192	External Torx®	E5	0.470 in	0.275 in	1.968 in	0.20 lb
80193	External Torx®	E6	0.470 in	0.314 in	1.968 in	0.20 lb
80194	External Torx®	E7	0.470 in	0.354 in	1.968 in	0.20 lb
80195	External Torx®	E8	0.470 in	0.393 in	1.968 in	0.20 lb
80196	External Torx®	E10	0.470 in	0.470 in	1.968 in	0.20 lb
80243	External Torx®	E11	0.470 in	-	1.968 in	0.25 lb

### 1/4" Drive Stubby Bit Drivers

- Short overall length provides better access in tight spaces
- S2 steel for strength and durability
- Hard stamped size markings
- Satin finish for corrosion protection and simple cleaning
- Compact design provides additional access compared to standard bit sockets



Cat. No.	Drive Type	Fastener Size	Dim. A: Drive End	Dim. C: Overall Length	Product Weight
81176	Phillips®	#1	0.472 in	0.98 in	0.02 lb
81177	Phillips®	#2	0.472 in	0.98 in	0.02 lb
81178	Phillips®	#3	0.472 in	0.98 in	0.02 lb
81179	Phillips®	#4	0.472 in	0.98 in	0.02 lb
81164	Slotted	3.5 mm	0.472 in	0.98 in	0.02 lb
81165	Slotted	4 mm	0.472 in	0.98 in	0.02 lb
81166	Slotted	5.5 mm	0.472 in	0.98 in	0.02 lb
81167	Slotted	8 mm	0.472 in	0.98 in	0.02 lb
81168	Slotted	10 mm	0.472 in	0.98 in	0.02 lb
81169	Slotted	12 mm	0.472 in	0.98 in	0.02 lb

### 1/4" Drive Stubby Triple Square Bit Drivers

- Short overall length provides better access in tight spaces
- S2 steel for strength and durability
- Hard stamped size markings
- Satin finish for corrosion protection and simple cleaning
- Compact design provides additional access compared to standard bit sockets



Cat. No.	SAE/Metric	Fastener Size	Dim. A: Drive End	Dim. C: Overall Length	Dim. D: Bit Length	Product Weight
81090	Metric	4 mm	0.472 in	0.98 in	.187 in	0.02 lb
81091	Metric	5 mm	0.472 in	0.98 in	.187 in	0.02 lb
81092	Metric	6 mm	0.472 in	0.98 in	.187 in	0.02 lb

### 56 Pc. 3/8" Drive 120XP™ 6 Point SAE/Metric Standard and Deep Mechanics Tool Set

- 120XP™ ratchets have two double stacked 60 tooth pawls (120 positions) providing a 3° swing arc so you can turn fasteners in tighter confines
- Double-stacked pawls alternately engage the 60 tooth gear, providing exceptional strength
- Sockets feature off-corner loading design reduces fastener rounding
- Extension bars features a knurled grip, providing a non slip surface
- Bright, full polish chrome finish easily wipes clean and resists corrosion
- Hard stamped size markings
- Includes blow mold case for storage and organization
- Meets or exceeds ASME specifications



Cat. No.	Included Storage	Product Weight
80550P	Blow Mold Case	11.25 lb



Cat. No.	Description	Cat. No.	Description
81211P	3/8" Drive 120XP™ Teardrop Ratchet 8-1/4"	80374	3/8" Drive 6 Point Standard Metric Socket 6mm
81241	3/8" Drive Extension 3"	80375	3/8" Drive 6 Point Standard Metric Socket 7mm
81242	3/8" Drive Extension 6"	80376	3/8" Drive 6 Point Standard Metric Socket 8mm
80549	3/8" Drive Universal Joint	80377	3/8" Drive 6 Point Standard Metric Socket 9mm
80350	3/8" Drive 6 Point Standard SAE Socket 1/4"	80378	3/8" Drive 6 Point Standard Metric Socket 10mm
80351	3/8" Drive 6 Point Standard SAE Socket 5/16"	80379	3/8" Drive 6 Point Standard Metric Socket 11mm
80352	3/8" Drive 6 Point Standard SAE Socket 3/8"	80380	3/8" Drive 6 Point Standard Metric Socket 12mm
80353	3/8" Drive 6 Point Standard SAE Socket 7/16"	80381	3/8" Drive 6 Point Standard Metric Socket 13mm
80354	3/8" Drive 6 Point Standard SAE Socket 1/2"	80382	3/8" Drive 6 Point Standard Metric Socket 14mm
80355	3/8" Drive 6 Point Standard SAE Socket 9/16"	80383	3/8" Drive 6 Point Standard Metric Socket 15mm
80356	3/8" Drive 6 Point Standard SAE Socket 5/8"	80384	3/8" Drive 6 Point Standard Metric Socket 16mm
80357	3/8" Drive 6 Point Standard SAE Socket 11/16"	80385	3/8" Drive 6 Point Standard Metric Socket 17mm
80358	3/8" Drive 6 Point Standard SAE Socket 3/4"	80386	3/8" Drive 6 Point Standard Metric Socket 18mm
80359	3/8" Drive 6 Point Standard SAE Socket 13/16"	80387	3/8" Drive 6 Point Standard Metric Socket 19mm
80360	3/8" Drive 6 Point Standard SAE Socket 7/8"	80388	3/8" Drive 6 Point Deep Metric Socket 6mm
80361	3/8" Drive 6 Point Standard SAE Socket 15/16"	80389	3/8" Drive 6 Point Deep Metric Socket 7mm
80362	3/8" Drive 6 Point Standard SAE Socket 1"	80390	3/8" Drive 6 Point Deep Metric Socket 8mm
80363	3/8" Drive 6 Point Deep SAE Socket 1/4"	80391	3/8" Drive 6 Point Deep Metric Socket 9mm
80364	3/8" Drive 6 Point Deep SAE Socket 5/16"	80392	3/8" Drive 6 Point Deep Metric Socket 10mm
80365	3/8" Drive 6 Point Deep SAE Socket 3/8"	80393D	3/8" Drive 6 Point Deep Metric Socket 11mm
80366	3/8" Drive 6 Point Deep SAE Socket 7/16"	80394D	3/8" Drive 6 Point Deep Metric Socket 12mm
80367	3/8" Drive 6 Point Deep SAE Socket 1/2"	80395	3/8" Drive 6 Point Deep Metric Socket 13mm
80368	3/8" Drive 6 Point Deep SAE Socket 9/16"	80396	3/8" Drive 6 Point Deep Metric Socket 14mm
80369	3/8" Drive 6 Point Deep SAE Socket 5/8"	80397	3/8" Drive 6 Point Deep Metric Socket 15mm
80370D	3/8" Drive 6 Point Deep SAE Socket 11/16"	80398	3/8" Drive 6 Point Deep Metric Socket 16mm
80371	3/8" Drive 6 Point Deep SAE Socket 3/4"	80399	3/8" Drive 6 Point Deep Metric Socket 17mm
80372	3/8" Drive 6 Point Deep SAE Socket 13/16"	80400	3/8" Drive 6 Point Deep Metric Socket 18mm
80373	3/8" Drive 6 Point Deep SAE Socket 7/8"	80401	3/8" Drive 6 Point Deep Metric Socket 19mm

### 57 Pc. 3/8" Drive 6 Point SAE/Metric Standard and Deep Mechanics Tool Set

- 84 tooth ratchet mechanism offers a 4.3° swing arc for easy access
- Stubby and standard length ratchets for better access in all areas
- Sockets feature off-corner loading design to reduce fastener rounding
- Knurled full polish chrome extensions
- Full polish chrome sockets with large, hard-stamped size markings
- Includes blow mold case for storage and organization
- Meets or exceeds ASME specifications



Cat. No.	Included Storage	Product Weight
80550	Blow Mold Case	12.13 lb

Cat. No.	Description	Cat. No.	Description
81209F	3/8" Drive 84 Tooth Stubby Teardrop Ratchet 4-3/4"	80373	3/8" Drive 6 Point Deep SAE Socket 7/8"
81211F	3/8" Drive 84 Tooth Teardrop Ratchet 8-1/4"	80374	3/8" Drive 6 Point Standard Metric Socket 6mm
81241	3/8" Drive Extension 3"	80375	3/8" Drive 6 Point Standard Metric Socket 7mm
81242	3/8" Drive Extension 6"	80376	3/8" Drive 6 Point Standard Metric Socket 8mm
80549	3/8" Drive Universal Joint	80377	3/8" Drive 6 Point Standard Metric Socket 9mm
80350	3/8" Drive 6 Point Standard SAE Socket 1/4"	80378	3/8" Drive 6 Point Standard Metric Socket 10mm
80351	3/8" Drive 6 Point Standard SAE Socket 5/16"	80379	3/8" Drive 6 Point Standard Metric Socket 11mm
80352	3/8" Drive 6 Point Standard SAE Socket 3/8"	80380	3/8" Drive 6 Point Standard Metric Socket 12mm
80353	3/8" Drive 6 Point Standard SAE Socket 7/16"	80381	3/8" Drive 6 Point Standard Metric Socket 13mm
80354	3/8" Drive 6 Point Standard SAE Socket 1/2"	80382	3/8" Drive 6 Point Standard Metric Socket 14mm
80355	3/8" Drive 6 Point Standard SAE Socket 9/16"	80383	3/8" Drive 6 Point Standard Metric Socket 15mm
80356	3/8" Drive 6 Point Standard SAE Socket 5/8"	80384	3/8" Drive 6 Point Standard Metric Socket 16mm
80357	3/8" Drive 6 Point Standard SAE Socket 11/16"	80385	3/8" Drive 6 Point Standard Metric Socket 17mm
80358	3/8" Drive 6 Point Standard SAE Socket 3/4"	80386	3/8" Drive 6 Point Standard Metric Socket 18mm
80359	3/8" Drive 6 Point Standard SAE Socket 13/16"	80387	3/8" Drive 6 Point Standard Metric Socket 19mm
80360	3/8" Drive 6 Point Standard SAE Socket 7/8"	80388	3/8" Drive 6 Point Deep Metric Socket 6mm
80361	3/8" Drive 6 Point Standard SAE Socket 15/16"	80389	3/8" Drive 6 Point Deep Metric Socket 7mm
80362	3/8" Drive 6 Point Standard SAE Socket 1"	80390	3/8" Drive 6 Point Deep Metric Socket 8mm
80363	3/8" Drive 6 Point Deep SAE Socket 1/4"	80391	3/8" Drive 6 Point Deep Metric Socket 9mm
80364	3/8" Drive 6 Point Deep SAE Socket 5/16"	80392	3/8" Drive 6 Point Deep Metric Socket 10mm
80365	3/8" Drive 6 Point Deep SAE Socket 3/8"	80393D	3/8" Drive 6 Point Deep Metric Socket 11mm
80366	3/8" Drive 6 Point Deep SAE Socket 7/16"	80394D	3/8" Drive 6 Point Deep Metric Socket 12mm
80367	3/8" Drive 6 Point Deep SAE Socket 1/2"	80395	3/8" Drive 6 Point Deep Metric Socket 13mm
80368	3/8" Drive 6 Point Deep SAE Socket 9/16"	80396	3/8" Drive 6 Point Deep Metric Socket 14mm
80369	3/8" Drive 6 Point Deep SAE Socket 5/8"	80397	3/8" Drive 6 Point Deep Metric Socket 15mm
80370D	3/8" Drive 6 Point Deep SAE Socket 11/16"	80398	3/8" Drive 6 Point Deep Metric Socket 16mm
80371	3/8" Drive 6 Point Deep SAE Socket 3/4"	80399	3/8" Drive 6 Point Deep Metric Socket 17mm
80372	3/8" Drive 6 Point Deep SAE Socket 13/16"	80400	3/8" Drive 6 Point Deep Metric Socket 18mm
		80401	3/8" Drive 6 Point Deep Metric Socket 19mm

### 57 Pc. 3/8" Drive 12 Point SAE/Metric Standard and Deep Mechanics Tool Set

- 84 tooth ratchet mechanism offers a 4.3° swing arc for easy access
- Stubby and standard length ratchets for better access in all areas
- Sockets feature off-corner loading design to reduce fastener rounding
- Knurled full polish chrome extensions
- Full polish chrome sockets with large, hard-stamped size markings
- Includes blow mold case for storage and organization
- Meets or exceeds ASME specifications



Cat. No.	Included Storage	Product Weight
80551	Blow Mold Case	11.55 lb

Cat. No.	Description	Cat. No.	Description
81209F	3/8" Drive 84 Tooth Stubby Teardrop Ratchet 4-3/4"	80519	3/8 Drive 12 Point Deep SAE Socket 7/8"
81211F	3/8" Drive 84 Tooth Teardrop Ratchet 8-1/4"	80482	3/8" Drive 12 Point Standard Metric Socket 6mm
81241	3/8" Drive Extension 3"	80483	3/8" Drive 12 Point Standard Metric Socket 7mm
81242	3/8" Drive Extension 6"	80484	3/8" Drive 12 Point Standard Metric Socket 8mm
80549	3/8" Drive Universal Joint	80485	3/8" Drive 12 Point Standard Metric Socket 9mm
80496	3/8" Drive 12 Point Standard SAE Socket 1/4"	80486	3/8" Drive 12 Point Standard Metric Socket 10mm
80497D	3/8" Drive 12 Point Standard SAE Socket 5/16"	80487	3/8" Drive 12 Point Standard Metric Socket 11mm
80498	3/8" Drive 12 Point Standard SAE Socket 3/8"	80488	3/8" Drive 12 Point Standard Metric Socket 12mm
80499	3/8" Drive 12 Point Standard SAE Socket 7/16"	80489	3/8" Drive 12 Point Standard Metric Socket 13mm
80500D	3/8" Drive 12 Point Standard SAE Socket 1/2"	80490	3/8" Drive 12 Point Standard Metric Socket 14mm
80501	3/8" Drive 12 Point Standard SAE Socket 9/16"	80491	3/8" Drive 12 Point Standard Metric Socket 15mm
80502	3/8" Drive 12 Point Standard SAE Socket 5/8"	80492	3/8" Drive 12 Point Standard Metric Socket 16mm
80503	3/8" Drive 12 Point Standard SAE Socket 11/16"	80493	3/8" Drive 12 Point Standard Metric Socket 17mm
80504	3/8" Drive 12 Point Standard SAE Socket 3/4"	80494	3/8" Drive 12 Point Standard Metric Socket 18mm
80505	3/8" Drive 12 Point Standard SAE Socket 13/16"	80495	3/8" Drive 12 Point Standard Metric Socket 19mm
80506D	3/8" Drive 12 Point Standard SAE Socket 7/8"	80520D	3/8 Drive 12 Point Deep Metric Socket 6mm
80507	3/8" Drive 12 Point Standard SAE Socket 15/16"	80521	3/8 Drive 12 Point Deep Metric Socket 7mm
80508	3/8" Drive 12 Point Standard SAE Socket 1"	80522	3/8 Drive 12 Point Deep Metric Socket 8mm
80509	3/8 Drive 12 Point Deep SAE Socket 1/4"	80523	3/8 Drive 12 Point Deep Metric Socket 9mm
80510D	3/8 Drive 12 Point Deep SAE Socket 5/16"	80524	3/8 Drive 12 Point Deep Metric Socket 10mm
80511	3/8 Drive 12 Point Deep SAE Socket 3/8"	80525	3/8 Drive 12 Point Deep Metric Socket 11mm
80512	3/8 Drive 12 Point Deep SAE Socket 7/16"	80526	3/8 Drive 12 Point Deep Metric Socket 12mm
80513	3/8 Drive 12 Point Deep SAE Socket 1/2"	80527	3/8 Drive 12 Point Deep Metric Socket 13mm
80514	3/8 Drive 12 Point Deep SAE Socket 9/16"	80528	3/8 Drive 12 Point Deep Metric Socket 14mm
80515D	3/8 Drive 12 Point Deep SAE Socket 5/8"	80529	3/8 Drive 12 Point Deep Metric Socket 15mm
80516	3/8 Drive 12 Point Deep SAE Socket 11/16"	80530	3/8 Drive 12 Point Deep Metric Socket 16mm
80517	3/8 Drive 12 Point Deep SAE Socket 3/4"	80531	3/8 Drive 12 Point Deep Metric Socket 17mm
80518	3/8 Drive 12 Point Deep SAE Socket 13/16"	80532	3/8 Drive 12 Point Deep Metric Socket 18mm
		80533	3/8 Drive 12 Point Deep Metric Socket 19mm



### 30 Pc. 3/8" Drive 6 Point SAE Standard and Deep Mechanics Tool Set

- 84 tooth full polish chrome thin profile ratchets
- Full polish chrome sockets with large hard-stamped size markings
- Knurled full polish chrome extensions
- Sockets feature off-corner loading design to reduce fastener rounding
- Includes blow mold case for storage and organization
- Meets or exceeds ASME specifications



SAE

6

Cat. No.	Included Storage	Product Weight
80569	Blow Mold Case	2.31 lb

Cat. No.	Description	Cat. No.	Description
81211F	3/8" Drive 84 Tooth Teardrop Ratchet 8-1/4"	80361	3/8" Drive 6 Point Standard SAE Socket 15/16"
81241	3/8" Drive Extension 3"	80362	3/8" Drive 6 Point Standard SAE Socket 1"
81242	3/8" Drive Extension 6"	80363	3/8" Drive 6 Point Deep SAE Socket 1/4"
80549	3/8" Drive Universal Joint	80364	3/8" Drive 6 Point Deep SAE Socket 5/16"
80350	3/8" Drive 6 Point Standard SAE Socket 1/4"	80365	3/8" Drive 6 Point Deep SAE Socket 3/8"
80351	3/8" Drive 6 Point Standard SAE Socket 5/16"	80366	3/8" Drive 6 Point Deep SAE Socket 7/16"
80352	3/8" Drive 6 Point Standard SAE Socket 3/8"	80367	3/8" Drive 6 Point Deep SAE Socket 1/2"
80353	3/8" Drive 6 Point Standard SAE Socket 7/16"	80368	3/8" Drive 6 Point Deep SAE Socket 9/16"
80354	3/8" Drive 6 Point Standard SAE Socket 1/2"	80369	3/8" Drive 6 Point Deep SAE Socket 5/8"
80355	3/8" Drive 6 Point Standard SAE Socket 9/16"	80370D	3/8" Drive 6 Point Deep SAE Socket 11/16"
80356	3/8" Drive 6 Point Standard SAE Socket 5/8"	80371	3/8" Drive 6 Point Deep SAE Socket 3/4"
80357	3/8" Drive 6 Point Standard SAE Socket 11/16"	80372	3/8" Drive 6 Point Deep SAE Socket 13/16"
80358	3/8" Drive 6 Point Standard SAE Socket 3/4"	80373	3/8" Drive 6 Point Deep SAE Socket 7/8"
80359	3/8" Drive 6 Point Standard SAE Socket 13/16"	80592	3/8 Drive 6 Point Deep SAE Socket 15/16"
80360	3/8" Drive 6 Point Standard SAE Socket 7/8"	80593	3/8 Drive 6 Point Deep SAE Socket 1"

### 30 Pc. 3/8" Drive 12 Point SAE Standard and Deep Mechanics Tool Set

- 84 tooth full polish chrome thin profile ratchets
- Full polish chrome sockets with large hard-stamped size markings
- Knurled full polish chrome extensions
- Sockets feature off-corner loading design to reduce fastener rounding
- Includes blow mold case for storage and organization
- Meets or exceeds ASME specifications



SAE

12

Cat. No.	Included Storage	Product Weight
80568	Blow Mold Case	2.25 lb

Cat. No.	Description	Cat. No.	Description
81211F	3/8" Drive 84 Tooth Teardrop Ratchet 8-1/4"	80507	3/8" Drive 12 Point Standard SAE Socket 15/16"
81241	3/8" Drive Extension 3"	80508	3/8" Drive 12 Point Standard SAE Socket 1"
81242	3/8" Drive Extension 6"	80509	3/8 Drive 12 Point Deep SAE Socket 1/4"
80549	3/8" Drive Universal Joint	80510D	3/8 Drive 12 Point Deep SAE Socket 5/16"
80496	3/8" Drive 12 Point Standard SAE Socket 1/4"	80511	3/8 Drive 12 Point Deep SAE Socket 3/8"
80497D	3/8" Drive 12 Point Standard SAE Socket 5/16"	80512	3/8 Drive 12 Point Deep SAE Socket 7/16"
80498	3/8" Drive 12 Point Standard SAE Socket 3/8"	80513	3/8 Drive 12 Point Deep SAE Socket 1/2"
80499	3/8" Drive 12 Point Standard SAE Socket 7/16"	80514	3/8 Drive 12 Point Deep SAE Socket 9/16"
80500D	3/8" Drive 12 Point Standard SAE Socket 1/2"	80515D	3/8 Drive 12 Point Deep SAE Socket 5/8"
80501	3/8" Drive 12 Point Standard SAE Socket 9/16"	80516	3/8 Drive 12 Point Deep SAE Socket 11/16"
80502	3/8" Drive 12 Point Standard SAE Socket 5/8"	80517	3/8 Drive 12 Point Deep SAE Socket 3/4"
80503	3/8" Drive 12 Point Standard SAE Socket 11/16"	80518	3/8 Drive 12 Point Deep SAE Socket 13/16"
80504	3/8" Drive 12 Point Standard SAE Socket 3/4"	80519	3/8 Drive 12 Point Deep SAE Socket 7/8"
80505	3/8" Drive 12 Point Standard SAE Socket 13/16"	80594	3/8 Drive 12 Point Deep SAE Socket 15/16"
80506D	3/8" Drive 12 Point Standard SAE Socket 7/8"	80595	3/8 Drive 12 Point Deep SAE Socket 1"

### 29 Pc. 3/8" Drive 12 Point Metric Standard and Deep Mechanics Tool Set

- 84 tooth ratchet mechanism offers a 4.3° swing arc for easy access
- Better access to tight spaces from a teardrop low-profile head and flush-mounted on/off switch
- Sockets feature off-corner loading technology designed to reduce fastener rounding
- Hard stamped size markings
- Bright, full polish chrome finish easily wipes clean and resists corrosion
- Includes blow mold case for storage and organization
- Meets or exceeds ASME specifications



Cat. No.	Included Storage	Product Weight
80692	Blow Mold Case	7.975 lb



Cat. No.	Description	Cat. No.	Description
81211F	3/8" Drive 84 Tooth Teardrop Ratchet 8-1/4"	80494	3/8" Drive 12 Point Standard Metric Socket 18mm
81221	3/8" Drive Breaker Bar 12"	80495	3/8" Drive 12 Point Standard Metric Socket 19mm
81241	3/8" Drive Extension 3"	80522	3/8 Drive 12 Point Deep Metric Socket 8mm
81242	3/8" Drive Extension 6"	80523	3/8 Drive 12 Point Deep Metric Socket 9mm
80549	3/8" Drive Universal Joint	80524	3/8 Drive 12 Point Deep Metric Socket 10mm
80484	3/8" Drive 12 Point Standard Metric Socket 8mm	80525	3/8 Drive 12 Point Deep Metric Socket 11mm
80485	3/8" Drive 12 Point Standard Metric Socket 9mm	80526	3/8 Drive 12 Point Deep Metric Socket 12mm
80486	3/8" Drive 12 Point Standard Metric Socket 10mm	80527	3/8 Drive 12 Point Deep Metric Socket 13mm
80487	3/8" Drive 12 Point Standard Metric Socket 11mm	80528	3/8 Drive 12 Point Deep Metric Socket 14mm
80488	3/8" Drive 12 Point Standard Metric Socket 12mm	80529	3/8 Drive 12 Point Deep Metric Socket 15mm
80489	3/8" Drive 12 Point Standard Metric Socket 13mm	80530	3/8 Drive 12 Point Deep Metric Socket 16mm
80490	3/8" Drive 12 Point Standard Metric Socket 14mm	80531	3/8 Drive 12 Point Deep Metric Socket 17mm
80491	3/8" Drive 12 Point Standard Metric Socket 15mm	80532	3/8 Drive 12 Point Deep Metric Socket 18mm
80492	3/8" Drive 12 Point Standard Metric Socket 16mm	80533	3/8 Drive 12 Point Deep Metric Socket 19mm
80493	3/8" Drive 12 Point Standard Metric Socket 17mm		

### 24 Pc. 3/8" Drive 6 and 12 Point Metric Standard and Deep Mechanics Tool Set

- 84 tooth full polish chrome thin profile ratchets
- Full polish chrome sockets with large hard-stamped size markings
- Knurled full polish chrome extensions
- Sockets feature off-corner loading design to reduce fastener rounding
- Includes blow mold case for storage and organization
- Meets or exceeds ASME specifications



Cat. No.	Included Storage	Product Weight
80559	Blow Mold Case	5.50 lb

Cat. No.	Description	Cat. No.	Description
81211F	3/8" Drive 84 Tooth Teardrop Ratchet 8-1/4"	80493	3/8" Drive 12 Point Standard Metric Socket 17mm
81241	3/8" Drive Extension 3"	80494	3/8" Drive 12 Point Standard Metric Socket 18mm
81242	3/8" Drive Extension 6"	80495	3/8" Drive 12 Point Standard Metric Socket 19mm
80484	3/8" Drive 12 Point Standard Metric Socket 8mm	80392	3/8" Drive 6 Point Deep Metric Socket 10mm
80485	3/8" Drive 12 Point Standard Metric Socket 9mm	80393D	3/8" Drive 6 Point Deep Metric Socket 11mm
80486	3/8" Drive 12 Point Standard Metric Socket 10mm	80394D	3/8" Drive 6 Point Deep Metric Socket 12mm
80487	3/8" Drive 12 Point Standard Metric Socket 11mm	80395	3/8" Drive 6 Point Deep Metric Socket 13mm
80488	3/8" Drive 12 Point Standard Metric Socket 12mm	80396	3/8" Drive 6 Point Deep Metric Socket 14mm
80489	3/8" Drive 12 Point Standard Metric Socket 13mm	80397	3/8" Drive 6 Point Deep Metric Socket 15mm
80490	3/8" Drive 12 Point Standard Metric Socket 14mm	80398	3/8" Drive 6 Point Deep Metric Socket 16mm
80491	3/8" Drive 12 Point Standard Metric Socket 15mm	80399	3/8" Drive 6 Point Deep Metric Socket 17mm
80492	3/8" Drive 12 Point Standard Metric Socket 16mm	80400	3/8" Drive 6 Point Deep Metric Socket 18mm

### 22 Pc. 3/8" Drive 12 Point SAE Standard and Deep Mechanics Tool Set

- 84 tooth full polish chrome thin profile ratchets
- Full polish chrome sockets with large hard-stamped size markings
- Knurled full polish chrome extensions
- Sockets feature off-corner loading design to reduce fastener rounding
- Includes blow mold case for storage and organization
- Meets or exceeds ASME specifications



Cat. No.	Included Storage	Product Weight
80691	Blow Mold Case	7.365 lb

Cat. No.	Description	Cat. No.	Description
81211F	3/8" Drive 84 Tooth Teardrop Ratchet 8-1/4"	80505	3/8" Drive 12 Point Standard SAE Socket 13/16"
81241	3/8" Drive Extension 3"	80506D	3/8" Drive 12 Point Standard SAE Socket 7/8"
81242	3/8" Drive Extension 6"	80511	3/8 Drive 12 Point Deep SAE Socket 3/8"
80549	3/8" Drive Universal Joint	80512	3/8 Drive 12 Point Deep SAE Socket 7/16"
80498	3/8" Drive 12 Point Standard SAE Socket 3/8"	80513	3/8 Drive 12 Point Deep SAE Socket 1/2"
80499	3/8" Drive 12 Point Standard SAE Socket 7/16"	80514	3/8 Drive 12 Point Deep SAE Socket 9/16"
80500D	3/8" Drive 12 Point Standard SAE Socket 1/2"	80515D	3/8 Drive 12 Point Deep SAE Socket 5/8"
80501	3/8" Drive 12 Point Standard SAE Socket 9/16"	80516	3/8 Drive 12 Point Deep SAE Socket 11/16"
80502	3/8" Drive 12 Point Standard SAE Socket 5/8"	80517	3/8 Drive 12 Point Deep SAE Socket 3/4"
80503	3/8" Drive 12 Point Standard SAE Socket 11/16"	80518	3/8 Drive 12 Point Deep SAE Socket 13/16"
80504	3/8" Drive 12 Point Standard SAE Socket 3/4"	80519	3/8 Drive 12 Point Deep SAE Socket 7/8"

### 21 Pc. 3/8" Drive 6 and 12 Point SAE Standard and Deep Mechanics Tool Set

- 84 tooth full polish chrome thin profile ratchets
- Full polish chrome sockets with large hard-stamped size markings
- Knurled full polish chrome extensions
- Sockets feature off-corner loading design to reduce fastener rounding
- Includes blow mold case for storage and organization
- Meets or exceeds ASME specifications



Cat. No.	Included Storage	Product Weight
80557	Blow Mold Case	5.30 lb

Cat. No.	Description	Cat. No.	Description
81211F	3/8" Drive 84 Tooth Teardrop Ratchet 8-1/4"	80504	3/8" Drive 12 Point Standard SAE Socket 3/4"
81241	3/8" Drive Extension 3"	80365	3/8" Drive 6 Point Deep SAE Socket 3/8"
81242	3/8" Drive Extension 6"	80366	3/8" Drive 6 Point Deep SAE Socket 7/16"
80496	3/8" Drive 12 Point Standard SAE Socket 1/4"	80367	3/8" Drive 6 Point Deep SAE Socket 1/2"
80497D	3/8" Drive 12 Point Standard SAE Socket 5/16"	80368	3/8" Drive 6 Point Deep SAE Socket 9/16"
80498	3/8" Drive 12 Point Standard SAE Socket 3/8"	80369	3/8" Drive 6 Point Deep SAE Socket 5/8"
80499	3/8" Drive 12 Point Standard SAE Socket 7/16"	80370D	3/8" Drive 6 Point Deep SAE Socket 11/16"
80500D	3/8" Drive 12 Point Standard SAE Socket 1/2"	80371	3/8" Drive 6 Point Deep SAE Socket 3/4"
80501	3/8" Drive 12 Point Standard SAE Socket 9/16"	80372	3/8" Drive 6 Point Deep SAE Socket 13/16"
80502	3/8" Drive 12 Point Standard SAE Socket 5/8"	80373	3/8" Drive 6 Point Deep SAE Socket 7/8"
80503	3/8" Drive 12 Point Standard SAE Socket 11/16"		



### 15 Pc. 3/8" Drive 12 Point SAE Standard Mechanics Tool Set

- 84 tooth full polish chrome thin profile ratchets
- Full polish chrome sockets with large hard-stamped size markings
- Knurled full polish chrome extensions
- Sockets feature off-corner loading design to reduce fastener rounding
- Includes blow mold case for storage and organization
- Meets or exceeds ASME specifications



Cat. No.	Included Storage	Product Weight
80690	Blow Mold Case	11.757 lb



Cat. No.	Description	Cat. No.	Description
81211F	3/8" Drive 84 Tooth Teardrop Ratchet 8-1/4"	80500D	3/8" Drive 12 Point Standard SAE Socket 1/2"
81239	3/8" Drive Speeder Handle 16-3/4"	80501	3/8" Drive 12 Point Standard SAE Socket 9/16"
81221	3/8" Drive Breaker Bar 12"	80502	3/8" Drive 12 Point Standard SAE Socket 5/8"
81241	3/8" Drive Extension 3"	80503	3/8" Drive 12 Point Standard SAE Socket 11/16"
81244	3/8" Drive Extension 12"	80504	3/8" Drive 12 Point Standard SAE Socket 3/4"
80549	3/8" Drive Universal Joint	80505	3/8" Drive 12 Point Standard SAE Socket 13/16"
80498	3/8" Drive 12 Point Standard SAE Socket 3/8"	80506D	3/8" Drive 12 Point Standard SAE Socket 7/8"
80499	3/8" Drive 12 Point Standard SAE Socket 7/16"		

### 12 Pc. 3/8" Drive 6 Point SAE Standard Mechanics Tool Set

- 84 tooth full polish chrome thin profile ratchets
- Full polish chrome sockets with large hard-stamped size markings
- Knurled full polish chrome extensions
- Sockets feature off-corner loading design to reduce fastener rounding
- Includes blow mold case for storage and organization
- Meets or exceeds ASME specifications



Cat. No.	Included Storage	Product Weight
80556	Blow Mold Case	3.17 lb



Cat. No.	Description	Cat. No.	Description
81211F	3/8" Drive 84 Tooth Teardrop Ratchet 8-1/4"	80355	3/8" Drive 6 Point Standard SAE Socket 9/16"
81241	3/8" Drive Extension 3"	80356	3/8" Drive 6 Point Standard SAE Socket 5/8"
81242	3/8" Drive Extension 6"	80357	3/8" Drive 6 Point Standard SAE Socket 11/16"
80352	3/8" Drive 6 Point Standard SAE Socket 3/8"	80358	3/8" Drive 6 Point Standard SAE Socket 3/4"
80353	3/8" Drive 6 Point Standard SAE Socket 7/16"	80359	3/8" Drive 6 Point Standard SAE Socket 13/16"
80354	3/8" Drive 6 Point Standard SAE Socket 1/2"	80360	3/8" Drive 6 Point Standard SAE Socket 7/8"

### 13 Pc. 3/8" Drive 6 Point SAE Standard Socket Set

- Off-corner loading design reduces fastener rounding
- Chamfered opening quickly guides fasteners into socket
- Hard stamped size markings
- Double line (SAE) and knurled (metric) ring help easily identify standard and metric sockets
- Bright, full polish chrome finish easily wipes clean and resists corrosion
- Includes socket rail for storage and organization
- Meets or exceeds ASME specifications



Cat. No.	Included Storage	Product Weight
80553	Socket Rail	1.76 lb



Cat. No.	Description	Cat. No.	Description
80350	3/8" Drive 6 Point Standard SAE Socket 1/4"	80357	3/8" Drive 6 Point Standard SAE Socket 11/16"
80351	3/8" Drive 6 Point Standard SAE Socket 5/16"	80358	3/8" Drive 6 Point Standard SAE Socket 3/4"
80352	3/8" Drive 6 Point Standard SAE Socket 3/8"	80359	3/8" Drive 6 Point Standard SAE Socket 13/16"
80353	3/8" Drive 6 Point Standard SAE Socket 7/16"	80360	3/8" Drive 6 Point Standard SAE Socket 7/8"
80354	3/8" Drive 6 Point Standard SAE Socket 1/2"	80361	3/8" Drive 6 Point Standard SAE Socket 15/16"
80355	3/8" Drive 6 Point Standard SAE Socket 9/16"	80362	3/8" Drive 6 Point Standard SAE Socket 1"
80356	3/8" Drive 6 Point Standard SAE Socket 5/8"		

### 13 Pc. 3/8" Drive 12 Point SAE Standard Socket Set

- Off-corner loading design reduces fastener rounding
- Chamfered opening quickly guides fasteners into socket
- Hard stamped size markings
- Double line (SAE) and knurled (metric) ring help easily identify standard and metric sockets
- Bright, full polish chrome finish easily wipes clean and resists corrosion
- Includes socket rail for storage and organization
- Meets or exceeds ASME specifications



Cat. No.	Included Storage	Product Weight
80561	Socket Rail	1.76 lb



Cat. No.	Description	Cat. No.	Description
80496	3/8" Drive 12 Point Standard SAE Socket 1/4"	80503	3/8" Drive 12 Point Standard SAE Socket 11/16"
80497D	3/8" Drive 12 Point Standard SAE Socket 5/16"	80504	3/8" Drive 12 Point Standard SAE Socket 3/4"
80498	3/8" Drive 12 Point Standard SAE Socket 3/8"	80505	3/8" Drive 12 Point Standard SAE Socket 13/16"
80499	3/8" Drive 12 Point Standard SAE Socket 7/16"	80506D	3/8" Drive 12 Point Standard SAE Socket 7/8"
80500D	3/8" Drive 12 Point Standard SAE Socket 1/2"	80507	3/8" Drive 12 Point Standard SAE Socket 15/16"
80501	3/8" Drive 12 Point Standard SAE Socket 9/16"	80508	3/8" Drive 12 Point Standard SAE Socket 1"
80502	3/8" Drive 12 Point Standard SAE Socket 5/8"		

### 11 Pc. 3/8" Drive 6 Point SAE Mid Length Socket Set

- Mid-length design for access to fasteners in hard-to-reach places
- Off-corner loading reduces fastener rounding
- Chamfered opening quickly guides fasteners into the socket
- Double line (SAE) and knurled (metric) ring help easily identify standard and metric sockets
- Hard stamped size markings
- Bright, full polish chrome finish easily wipes clean and resists corrosion
- Includes socket rail for storage and organization
- Meets or exceeds ASME specifications



Cat. No.	Included Storage	Product Weight
80555S	Socket Rail	1.82 lb



Cat. No.	Description	Cat. No.	Description
80363S	3/8" Drive 6 Point Mid Length SAE Socket 1/4"	80369S	3/8" Drive 6 Point Mid Length SAE Socket 5/8"
80364S	3/8" Drive 6 Point Mid Length SAE Socket 5/16"	80370S	3/8" Drive 6 Point Mid Length SAE Socket 11/16"
80365S	3/8" Drive 6 Point Mid Length SAE Socket 3/8"	80371S	3/8" Drive 6 Point Mid Length SAE Socket 3/4"
80366S	3/8" Drive 6 Point Mid Length SAE Socket 7/16"	80372S	3/8" Drive 6 Point Mid Length SAE Socket 13/16"
80367S	3/8" Drive 6 Point Mid Length SAE Socket 1/2"	80373S	3/8" Drive 6 Point Mid Length SAE Socket 7/8"
80368S	3/8" Drive 6 Point Mid Length SAE Socket 9/16"		

### 11 Pc. 3/8" Drive 6 Point SAE Deep Socket Set

- Off-corner loading design reduces fastener rounding
- Chamfered opening quickly guides fasteners into socket
- Hard stamped size markings
- Double line (SAE) and knurled (metric) ring help easily identify standard and metric sockets
- Bright, full polish chrome finish easily wipes clean and resists corrosion
- Includes socket rail for storage and organization
- Meets or exceeds ASME specifications



Cat. No.	Included Storage	Product Weight
80555	Socket Rail	3.04 lb



Cat. No.	Description	Cat. No.	Description
80363	3/8" Drive 6 Point Deep SAE Socket 1/4"	80369	3/8" Drive 6 Point Deep SAE Socket 5/8"
80364	3/8" Drive 6 Point Deep SAE Socket 5/16"	80370D	3/8" Drive 6 Point Deep SAE Socket 11/16"
80365	3/8" Drive 6 Point Deep SAE Socket 3/8"	80371	3/8" Drive 6 Point Deep SAE Socket 3/4"
80366	3/8" Drive 6 Point Deep SAE Socket 7/16"	80372	3/8" Drive 6 Point Deep SAE Socket 13/16"
80367	3/8" Drive 6 Point Deep SAE Socket 1/2"	80373	3/8" Drive 6 Point Deep SAE Socket 7/8"
80368	3/8" Drive 6 Point Deep SAE Socket 9/16"		

### 11 Pc. 3/8" Drive 12 Point SAE Deep Socket Set

- Off-corner loading design reduces fastener rounding
- Chamfered opening quickly guides fasteners into socket
- Hard stamped size markings
- Double line (SAE) and knurled (metric) ring help easily identify standard and metric sockets
- Bright, full polish chrome finish easily wipes clean and resists corrosion
- Includes socket rail for storage and organization
- Meets or exceeds ASME specifications



Cat. No.	Included Storage	Product Weight
80563	Socket Rail	3.04 lb



Cat. No.	Description	Cat. No.	Description
80509	3/8 Drive 12 Point Deep SAE Socket 1/4"	80515D	3/8 Drive 12 Point Deep SAE Socket 5/8"
80510D	3/8 Drive 12 Point Deep SAE Socket 5/16"	80516	3/8 Drive 12 Point Deep SAE Socket 11/16"
80511	3/8 Drive 12 Point Deep SAE Socket 3/8"	80517	3/8 Drive 12 Point Deep SAE Socket 3/4"
80512	3/8 Drive 12 Point Deep SAE Socket 7/16"	80518	3/8 Drive 12 Point Deep SAE Socket 13/16"
80513	3/8 Drive 12 Point Deep SAE Socket 1/2"	80519	3/8 Drive 12 Point Deep SAE Socket 7/8"
80514	3/8 Drive 12 Point Deep SAE Socket 9/16"		

### 14 Pc. 3/8" Drive 6 Point Metric Standard Socket Set

- Off-corner loading design reduces fastener rounding
- Chamfered opening quickly guides fasteners into socket
- Hard stamped size markings
- Double line (SAE) and knurled (metric) ring help easily identify standard and metric sockets
- Bright, full polish chrome finish easily wipes clean and resists corrosion
- Includes socket rail for storage and organization
- Meets or exceeds ASME specifications



Cat. No.	Included Storage	Product Weight
80552	Socket Rail	1.35 lb



Cat. No.	Description	Cat. No.	Description
80374	3/8" Drive 6 Point Standard Metric Socket 6mm	80381	3/8" Drive 6 Point Standard Metric Socket 13mm
80375	3/8" Drive 6 Point Standard Metric Socket 7mm	80382	3/8" Drive 6 Point Standard Metric Socket 14mm
80376	3/8" Drive 6 Point Standard Metric Socket 8mm	80383	3/8" Drive 6 Point Standard Metric Socket 15mm
80377	3/8" Drive 6 Point Standard Metric Socket 9mm	80384	3/8" Drive 6 Point Standard Metric Socket 16mm
80378	3/8" Drive 6 Point Standard Metric Socket 10mm	80385	3/8" Drive 6 Point Standard Metric Socket 17mm
80379	3/8" Drive 6 Point Standard Metric Socket 11mm	80386	3/8" Drive 6 Point Standard Metric Socket 18mm
80380	3/8" Drive 6 Point Standard Metric Socket 12mm	80387	3/8" Drive 6 Point Standard Metric Socket 19mm

### 14 Pc. 3/8" Drive 12 Point Metric Standard Socket Set

- Off-corner loading design reduces fastener rounding
- Chamfered opening quickly guides fasteners into socket
- Hard stamped size markings
- Double line (SAE) and knurled (metric) ring help easily identify standard and metric sockets
- Bright, full polish chrome finish easily wipes clean and resists corrosion
- Includes socket rail for storage and organization
- Meets or exceeds ASME specifications



Cat. No.	Included Storage	Product Weight
80560	Socket Rail	1.34 lb



Cat. No.	Description	Cat. No.	Description
80482	3/8" Drive 12 Point Standard Metric Socket 6mm	80489	3/8" Drive 12 Point Standard Metric Socket 13mm
80483	3/8" Drive 12 Point Standard Metric Socket 7mm	80490	3/8" Drive 12 Point Standard Metric Socket 14mm
80484	3/8" Drive 12 Point Standard Metric Socket 8mm	80491	3/8" Drive 12 Point Standard Metric Socket 15mm
80485	3/8" Drive 12 Point Standard Metric Socket 9mm	80492	3/8" Drive 12 Point Standard Metric Socket 16mm
80486	3/8" Drive 12 Point Standard Metric Socket 10mm	80493	3/8" Drive 12 Point Standard Metric Socket 17mm
80487	3/8" Drive 12 Point Standard Metric Socket 11mm	80494	3/8" Drive 12 Point Standard Metric Socket 18mm
80488	3/8" Drive 12 Point Standard Metric Socket 12mm	80495	3/8" Drive 12 Point Standard Metric Socket 19mm

### 14 Pc. 3/8" Drive 6 Point Metric Mid Length Socket Set

- Mid-length design for access to fasteners in hard-to-reach places
- Off-corner loading reduces fastener rounding
- Chamfered opening quickly guides fasteners into the socket
- Double line (SAE) and knurled (metric) ring help easily identify standard and metric sockets
- Hard stamped size markings
- Bright, full polish chrome finish easily wipes clean and resists corrosion
- Includes socket rail for storage and organization
- Meets or exceeds ASME specifications



Cat. No.	Included Storage	Product Weight
80554S	Socket Rail	1.98 lb



Cat. No.	Description	Cat. No.	Description
80388S	3/8" Drive 6 Point Mid Length Metric Socket 6mm	80395S	3/8" Drive 6 Point Mid Length Metric Socket 13mm
80389S	3/8" Drive 6 Point Mid Length Metric Socket 7mm	80396S	3/8" Drive 6 Point Mid Length Metric Socket 14mm
80390S	3/8" Drive 6 Point Mid Length Metric Socket 8mm	80397S	3/8" Drive 6 Point Mid Length Metric Socket 15mm
80391S	3/8" Drive 6 Point Mid Length Metric Socket 9mm	80398S	3/8" Drive 6 Point Mid Length Metric Socket 16mm
80392S	3/8" Drive 6 Point Mid Length Metric Socket 10mm	80399S	3/8" Drive 6 Point Mid Length Metric Socket 17mm
80393S	3/8" Drive 6 Point Mid Length Metric Socket 11mm	80400S	3/8" Drive 6 Point Mid Length Metric Socket 18mm
80394S	3/8" Drive 6 Point Mid Length Metric Socket 12mm	80401S	3/8" Drive 6 Point Mid Length Metric Socket 19mm

### 14 Pc. 3/8" Drive 6 Point Metric Deep Socket Set

- Off-corner loading design reduces fastener rounding
- Chamfered opening quickly guides fasteners into socket
- Hard stamped size markings
- Double line (SAE) and knurled (metric) ring help easily identify standard and metric sockets
- Bright, full polish chrome finish easily wipes clean and resists corrosion
- Includes socket rail for storage and organization
- Meets or exceeds ASME specifications



Cat. No.	Included Storage	Product Weight
80554	Socket Rail	2.87 lb



Cat. No.	Description	Cat. No.	Description
80388	3/8" Drive 6 Point Deep Metric Socket 6mm	80395	3/8" Drive 6 Point Deep Metric Socket 13mm
80389	3/8" Drive 6 Point Deep Metric Socket 7mm	80396	3/8" Drive 6 Point Deep Metric Socket 14mm
80390	3/8" Drive 6 Point Deep Metric Socket 8mm	80397	3/8" Drive 6 Point Deep Metric Socket 15mm
80391	3/8" Drive 6 Point Deep Metric Socket 9mm	80398	3/8" Drive 6 Point Deep Metric Socket 16mm
80392	3/8" Drive 6 Point Deep Metric Socket 10mm	80399	3/8" Drive 6 Point Deep Metric Socket 17mm
80393D	3/8" Drive 6 Point Deep Metric Socket 11mm	80400	3/8" Drive 6 Point Deep Metric Socket 18mm
80394D	3/8" Drive 6 Point Deep Metric Socket 12mm	80401	3/8" Drive 6 Point Deep Metric Socket 19mm

### 14 Pc. 3/8" Drive 12 Point Metric Deep Socket Set

- Off-corner loading design reduces fastener rounding
- Chamfered opening quickly guides fasteners into socket
- Hard stamped size markings
- Double line (SAE) and knurled (metric) ring help easily identify standard and metric sockets
- Bright, full polish chrome finish easily wipes clean and resists corrosion
- Includes socket rail for storage and organization
- Meets or exceeds ASME specifications



Cat. No.	Included Storage	Product Weight
80562	Socket Rail	2.89 lb



Cat. No.	Description	Cat. No.	Description
80520D	3/8" Drive 12 Point Deep Metric Socket 6mm	80527	3/8" Drive 12 Point Deep Metric Socket 13mm
80521	3/8" Drive 12 Point Deep Metric Socket 7mm	80528	3/8" Drive 12 Point Deep Metric Socket 14mm
80522	3/8" Drive 12 Point Deep Metric Socket 8mm	80529	3/8" Drive 12 Point Deep Metric Socket 15mm
80523	3/8" Drive 12 Point Deep Metric Socket 9mm	80530	3/8" Drive 12 Point Deep Metric Socket 16mm
80524	3/8" Drive 12 Point Deep Metric Socket 10mm	80531	3/8" Drive 12 Point Deep Metric Socket 17mm
80525	3/8" Drive 12 Point Deep Metric Socket 11mm	80532	3/8" Drive 12 Point Deep Metric Socket 18mm
80526	3/8" Drive 12 Point Deep Metric Socket 12mm	80533	3/8" Drive 12 Point Deep Metric Socket 19mm



### 7 Pc. 3/8" Drive 6 Point SAE Flex Socket Set

- Universal socket design allows for greater angled access to fasteners
- Off-corner loading design reduces fastener rounding
- Bright, full polish chrome finish easily wipes clean and resists corrosion
- Hard stamped size markings
- Includes socket rail for storage and organization



Cat. No.	Included Storage	Product Weight
80564	Socket Rail	2.20 lb



Cat. No.	Description	Cat. No.	Description
80343	3/8" Drive 6 Point SAE Flex Socket 3/8"	80347	3/8" Drive 6 Point SAE Flex Socket 5/8"
80344	3/8" Drive 6 Point SAE Flex Socket 7/16"	80348	3/8" Drive 6 Point SAE Flex Socket 11/16"
80345	3/8" Drive 6 Point SAE Flex Socket 1/2"	80349	3/8" Drive 6 Point SAE Flex Socket 3/4"
80346	3/8" Drive 6 Point SAE Flex Socket 9/16"		

### 10 Pc. 3/8" Drive 6 Point Metric Flex Socket Set

- Universal socket design allows for greater angled access to fasteners
- Off-corner loading design reduces fastener rounding
- Bright, full polish chrome finish easily wipes clean and resists corrosion
- Hard stamped size markings
- Includes socket rail for storage and organization



Cat. No.	Included Storage	Product Weight
80565	Socket Rail	2.20 lb



Cat. No.	Description	Cat. No.	Description
80333	3/8" Drive 6 Point Metric Flex Socket 10mm	80338	3/8" Drive 6 Point Metric Flex Socket 15mm
80334	3/8" Drive 6 Point Metric Flex Socket 11mm	80339	3/8" Drive 6 Point Metric Flex Socket 16mm
80335	3/8" Drive 6 Point Metric Flex Socket 12mm	80340	3/8" Drive 6 Point Metric Flex Socket 17mm
80336	3/8" Drive 6 Point Metric Flex Socket 13mm	80341	3/8" Drive 6 Point Metric Flex Socket 18mm
80337	3/8" Drive 6 Point Metric Flex Socket 14mm	80342	3/8" Drive 6 Point Metric Flex Socket 19mm

### 11 Pc. 3/8" Drive SAE Ratcheting Crowfoot Wrench Set

- Allows access to fasteners in confined spaces where a wrench or socket will not fit
- Quickly ratchet nuts and bolts without removing the fastener from the wrench
- Size markings laser etched on both sides of the head for easy identification
- Arrow stamped on the head clearly identifies the direction of rotation
- Bright, full polish chrome finish easily wipes clean and resists corrosion
- Meets or exceeds ASME requirements
- Included blow mold case for storage and organization



Cat. No.	Included Storage	Product Weight
89118	Blow Mold Case	2.20 lb



Cat. No.	Description	Cat. No.	Description
89120	3/8" Drive Ratcheting Crowfoot SAE Wrench 3/8"	89126	3/8" Drive Ratcheting Crowfoot SAE Wrench 3/4"
89121	3/8" Drive Ratcheting Crowfoot SAE Wrench 7/16"	89127	3/8" Drive Ratcheting Crowfoot SAE Wrench 13/16"
89122	3/8" Drive Ratcheting Crowfoot SAE Wrench 1/2"	89128	3/8" Drive Ratcheting Crowfoot SAE Wrench 7/8"
89123	3/8" Drive Ratcheting Crowfoot SAE Wrench 9/16"	89129	3/8" Drive Ratcheting Crowfoot SAE Wrench 15/16"
89124	3/8" Drive Ratcheting Crowfoot SAE Wrench 5/8"	89130	3/8" Drive Ratcheting Crowfoot SAE Wrench 1"
89125	3/8" Drive Ratcheting Crowfoot SAE Wrench 11/16"		

### 10 Pc. 3/8" Drive Metric Ratcheting Crowfoot Wrench Set

- Allows access to fasteners in confined spaces where a wrench or socket will not fit
- Quickly ratchet nuts and bolts without removing the fastener from the wrench
- Size markings laser etched on both sides of the head for easy identification
- Arrow stamped on the head clearly identifies the direction of rotation
- Bright, full polish chrome finish easily wipes clean and resists corrosion
- Meets or exceeds ASME requirements
- Included blow mold case for storage and organization



Cat. No.	Included Storage	Product Weight
89119	Blow Mold Case	1.30 lb



Cat. No.	Description	Cat. No.	Description
89140	3/8" Drive Ratcheting Crowfoot Metric Wrench 10mm	89145	3/8" Drive Ratcheting Crowfoot Metric Wrench 15mm
89141	3/8" Drive Ratcheting Crowfoot Metric Wrench 11mm	89146	3/8" Drive Ratcheting Crowfoot Metric Wrench 16mm
89142	3/8" Drive Ratcheting Crowfoot Metric Wrench 12mm	89147	3/8" Drive Ratcheting Crowfoot Metric Wrench 17mm
89143	3/8" Drive Ratcheting Crowfoot Metric Wrench 13mm	89148	3/8" Drive Ratcheting Crowfoot Metric Wrench 18mm
89144	3/8" Drive Ratcheting Crowfoot Metric Wrench 14mm	89149	3/8" Drive Ratcheting Crowfoot Metric Wrench 19mm

### 11 Pc. 3/8" Drive SAE Crowfoot Wrench Set

- Allows access to fasteners in confined spaces where a wrench or socket will not fit
- Size markings are stamped on head for easy identification
- Bright, full polish chrome finish easily wipes clean and resists corrosion
- Included tray for storage and organization



Cat. No.	Included Storage	Product Weight
81908	Tray	1.98 lb



Cat. No.	Description	Cat. No.	Description
81603	3/8" Drive Crowfoot SAE Wrench 3/8"	81609	3/8" Drive Crowfoot SAE Wrench 3/4"
81604	3/8" Drive Crowfoot SAE Wrench 7/16"	81610	3/8" Drive Crowfoot SAE Wrench 13/16"
81605	3/8" Drive Crowfoot SAE Wrench 1/2"	81611D	3/8" Drive Crowfoot SAE Wrench 7/8"
81606	3/8" Drive Crowfoot Metric Wrench 9/16"	81612D	3/8" Drive Crowfoot SAE Wrench 15/16"
81607	3/8" Drive Crowfoot SAE Wrench 5/8"	81613	3/8" Drive Crowfoot SAE Wrench 1"
81608	3/8" Drive Crowfoot SAE Wrench 11/16"		

### 10 Pc. 3/8" Drive Metric Crowfoot Wrench Set

- Allows access to fasteners in confined spaces where a wrench or socket will not fit
- Size markings are stamped on head for easy identification
- Bright, full polish chrome finish easily wipes clean and resists corrosion
- Included tray for storage and organization



Cat. No.	Included Storage	Product Weight
81909	Tray	1.43 lb



Cat. No.	Description	Cat. No.	Description
81614	3/8" Drive Crowfoot Metric Wrench 10mm	81619	3/8" Drive Crowfoot Metric Wrench 15mm
81615	3/8" Drive Crowfoot Metric Wrench 11mm	81620	3/8" Drive Crowfoot Metric Wrench 16mm
81616	3/8" Drive Crowfoot Metric Wrench 12mm	81621	3/8" Drive Crowfoot Metric Wrench 17mm
81617	3/8" Drive Crowfoot Metric Wrench 13mm	81622	3/8" Drive Crowfoot Metric Wrench 18mm
81618	3/8" Drive Crowfoot Metric Wrench 14mm	81623	3/8" Drive Crowfoot Metric Wrench 19mm

### 12 Pc. 3/8" Drive SAE Hex Bit Socket Set

- Heat treated for maximum durability
- Bits made of S2 steel for strength and durability
- Hard stamped size markings
- Bright, full polish chrome finish easily wipes clean and resists corrosion
- Includes socket rail for storage and organization
- Meets or exceeds ASME specifications



Cat. No.	Included Storage	Product Weight
80581	Socket Rail	1.44 lb



Cat. No.	Description	Cat. No.	Description
80410	3/8" Drive Hex Bit SAE Socket 1/16"	80416	3/8" Drive Hex Bit SAE Socket 5/32"
80411	3/8" Drive Hex Bit SAE Socket 5/64"	80417	3/8" Drive Hex Bit SAE Socket 3/16"
80412D	3/8" Drive Hex Bit SAE Socket 3/32"	80418	3/8" Drive Hex Bit SAE Socket 7/32"
80413	3/8" Drive Hex Bit SAE Socket 7/64"	80419	3/8" Drive Hex Bit SAE Socket 1/4"
80414	3/8" Drive Hex Bit SAE Socket 1/8"	80420	3/8" Drive Hex Bit SAE Socket 5/16"
80415D	3/8" Drive Hex Bit SAE Socket 9/64"	80421	3/8" Drive Hex Bit SAE Socket 3/8"

### 12 Pc. 3/8" Drive Metric Hex Bit Socket Set

- Heat treated for maximum durability
- Bits made of S2 steel for strength and durability
- Hard stamped size markings
- Bright, full polish chrome finish easily wipes clean and resists corrosion
- Includes socket rail for storage and organization
- Meets or exceeds ASME specifications



Cat. No.	Included Storage	Product Weight
80580	Socket Rail	1.68 lb



Cat. No.	Description	Cat. No.	Description
80422	3/8" Drive Hex Bit Metric Socket 2mm	80428D	3/8" Drive Hex Bit Metric Socket 7mm
80423	3/8" Drive Hex Bit Metric Socket 2.5mm	80429	3/8" Drive Hex Bit Metric Socket 8mm
80424	3/8" Drive Hex Bit Metric Socket 3mm	80430	3/8" Drive Hex Bit Metric Socket 9mm
80425	3/8" Drive Hex Bit Metric Socket 4mm	80431	3/8" Drive Hex Bit Metric Socket 10mm
80426	3/8" Drive Hex Bit Metric Socket 5mm	80432	3/8" Drive Hex Bit Metric Socket 11mm
80427	3/8" Drive Hex Bit Metric Socket 6mm	80433	3/8" Drive Hex Bit Metric Socket 12mm

### 7 Pc. 3/8" Drive Mid Length SAE Hex Bit Socket Set

- Mid-length hex bit for additional access to hard-to-reach fasteners
- S2 steel insert bits offer maximum strength
- Heat-treated socket bases provide lasting durability
- Double line (SAE) and knurled (metric) ring help easily identify standard and metric sockets
- Hard stamped size markings
- Bright, full polish chrome finish easily wipes clean and resists corrosion
- Includes socket rail for storage and organization
- Meets or exceeds ASME specifications



Cat. No.	Included Storage	Product Weight
82529	Socket Rail	0.700 lb

SAE

Cat. No.	Description	Cat. No.	Description
82521	3/8" Drive Mid Length Hex Bit SAE Socket 1/8"	82526	3/8" Drive Mid Length Hex Bit SAE Socket 1/4"
82523	3/8" Drive Mid Length Hex Bit SAE Socket 5/32"	82527	3/8" Drive Mid Length Hex Bit SAE Socket 5/16"
82524	3/8" Drive Mid Length Hex Bit SAE Socket 3/16"	82528	3/8" Drive Mid Length Hex Bit SAE Socket 3/8"
82525	3/8" Drive Mid Length Hex Bit SAE Socket 7/32"		

### 7 Pc. 3/8" Drive Mid Length Metric Hex Bit Socket Set

- Mid-length hex bit for additional access to hard-to-reach fasteners
- S2 steel insert bits offer maximum strength
- Heat-treated socket bases provide lasting durability
- Double line (SAE) and knurled (metric) ring help easily identify standard and metric sockets
- Hard stamped size markings
- Bright, full polish chrome finish easily wipes clean and resists corrosion
- Includes socket rail for storage and organization
- Meets or exceeds ASME specifications



Cat. No.	Included Storage	Product Weight
82546	Socket Rail	0.790 lb

mm

Cat. No.	Description	Cat. No.	Description
82539	3/8" Drive Mid Length Hex Bit Metric Socket 4mm	82543	3/8" Drive Mid Length Hex Bit Metric Socket 8mm
82540	3/8" Drive Mid Length Hex Bit Metric Socket 5mm	82544	3/8" Drive Mid Length Hex Bit Metric Socket 9mm
82541	3/8" Drive Mid Length Hex Bit Metric Socket 6mm	82545	3/8" Drive Mid Length Hex Bit Metric Socket 10mm
82542	3/8" Drive Mid Length Hex Bit Metric Socket 7mm		

### 7 Pc. 3/8" Drive Long Length SAE Hex Bit Socket Set

- Long length hex bit for additional access to hard-to-reach fasteners
- S2 steel insert bits offer maximum strength
- Heat-treated socket bases provide lasting durability
- Double line (SAE) and knurled (metric) ring help easily identify standard and metric sockets
- Hard stamped size markings
- Bright, full polish chrome finish easily wipes clean and resists corrosion
- Includes socket rail for storage and organization
- Meets or exceeds ASME specifications



Cat. No.	Included Storage	Product Weight
82537	Socket Rail	1.090 lb

SAE

Cat. No.	Description	Cat. No.	Description
82530	3/8" Drive Long Length Hex Bit SAE Socket 1/8"	82534	3/8" Drive Long Length Hex Bit SAE Socket 1/4"
82531	3/8" Drive Long Length Hex Bit SAE Socket 5/32"	82535	3/8" Drive Long Length Hex Bit SAE Socket 5/16"
82532	3/8" Drive Long Length Hex Bit SAE Socket 3/16"	82536	3/8" Drive Long Length Hex Bit SAE Socket 3/8"
82533	3/8" Drive Long Length Hex Bit SAE Socket 7/32"		

### 6 Pc. 3/8" Drive Long Length Metric Hex Bit Socket Set

- Long length hex bit for additional access to hard-to-reach fasteners
- S2 steel insert bits offer maximum strength
- Heat-treated socket bases provide lasting durability
- Double line (SAE) and knurled (metric) ring help easily identify standard and metric sockets
- Hard stamped size markings
- Bright, full polish chrome finish easily wipes clean and resists corrosion
- Includes socket rail for storage and organization
- Meets or exceeds ASME specifications



Cat. No.	Included Storage	Product Weight
82554	Socket Rail	1.030 lb

mm

Cat. No.	Description	Cat. No.	Description
82547	3/8" Drive Long Length Hex Bit Metric Socket 4mm	82550	3/8" Drive Long Length Hex Bit Metric Socket 7mm
82548	3/8" Drive Long Length Hex Bit Metric Socket 5mm	82551	3/8" Drive Long Length Hex Bit Metric Socket 8mm
82549	3/8" Drive Long Length Hex Bit Metric Socket 6mm	82553	3/8" Drive Long Length Hex Bit Metric Socket 10mm



### 7 Pc. 3/8" Drive SAE Ball End Hex Bit Socket Set

- Heat treated for maximum durability
- Bits made of S2 steel for strength and durability
- Hard stamped size markings
- Bright, full polish chrome finish easily wipes clean and resists corrosion
- Includes socket rail for storage and organization
- Meets or exceeds ASME specifications



Cat. No.	Included Storage	Product Weight
80586	Socket Rail	1.00 lb



Cat. No.	Description	Cat. No.	Description
80539	3/8" Drive Ball End Hex Bit SAE Socket 1/8"	80543	3/8" Drive Ball End Hex Bit SAE Socket 1/4"
80540	3/8" Drive Ball End Hex Bit SAE Socket 5/32"	80544	3/8" Drive Ball End Hex Bit SAE Socket 5/16"
80541	3/8" Drive Ball End Hex Bit SAE Socket 3/16"	80545	3/8" Drive Ball End Hex Bit SAE Socket 3/8"
80542	3/8" Drive Ball End Hex Bit SAE Socket 7/32"		

### 7 Pc. 3/8" Drive Metric Ball End Hex Bit Socket Set

- Heat treated for maximum durability
- Bits made of S2 steel for strength and durability
- Hard stamped size markings
- Bright, full polish chrome finish easily wipes clean and resists corrosion
- Includes socket rail for storage and organization
- Meets or exceeds ASME specifications



Cat. No.	Included Storage	Product Weight
80587	Socket Rail	1.05 lb



Cat. No.	Description	Cat. No.	Description
82500	3/8" Drive Ball End Hex Bit Metric Socket 4mm	82504	3/8" Drive Ball End Hex Bit Metric Socket 8mm
82501	3/8" Drive Ball End Hex Bit Metric Socket 5mm	82505	3/8" Drive Ball End Hex Bit Metric Socket 9mm
82502	3/8" Drive Ball End Hex Bit Metric Socket 6mm	82506	3/8" Drive Ball End Hex Bit Metric Socket 10mm
82503	3/8" Drive Ball End Hex Bit Metric Socket 7mm		

### 7 Pc. 3/8" Drive SAE Long Ball End Hex Bit Socket Set

- Heat treated for maximum durability
- Bits made of S2 steel for strength and durability
- All bit sockets 6" in length
- Hard stamped size markings
- Bright, full polish chrome finish easily wipes clean and resists corrosion
- Includes socket rail for storage and organization
- Meets or exceeds ASME specifications



Cat. No.	Included Storage	Product Weight
80574	Socket Rail	1.13 lb



Cat. No.	Description	Cat. No.	Description
80434	3/8" Drive Long Ball End Hex Bit SAE Socket 1/8"	80438	3/8" Drive Long Ball End Hex Bit SAE Socket 1/4"
80435	3/8" Drive Long Ball End Hex Bit SAE Socket 5/32"	80439	3/8" Drive Long Ball End Hex Bit SAE Socket 5/16"
80436D	3/8" Drive Long Ball End Hex Bit SAE Socket 3/16"	80440	3/8" Drive Long Ball End Hex Bit SAE Socket 3/8"
80437	3/8" Drive Long Ball End Hex Bit SAE Socket 7/32"		

### 8 Pc. 3/8" Drive Metric Long Ball End Hex Bit Socket Set

- Heat treated for maximum durability
- Bits made of S2 steel for strength and durability
- All bit sockets 6" in length
- Hard stamped size markings
- Bright, full polish chrome finish easily wipes clean and resists corrosion
- Includes socket rail for storage and organization
- Meets or exceeds ASME specifications



Cat. No.	Included Storage	Product Weight
80573	Socket Rail	1.59 lb



Cat. No.	Description	Cat. No.	Description
80441	3/8" Drive Long Ball End Hex Bit Metric Socket 3mm	80445	3/8" Drive Long Ball End Hex Bit Metric Socket 7mm
80442	3/8" Drive Long Ball End Hex Bit Metric Socket 4mm	80446	3/8" Drive Long Ball End Hex Bit Metric Socket 8mm
80443	3/8" Drive Long Ball End Hex Bit Metric Socket 5mm	80447	3/8" Drive Long Ball End Hex Bit Metric Socket 9mm
80444	3/8" Drive Long Ball End Hex Bit Metric Socket 6mm	80448	3/8" Drive Long Ball End Hex Bit Metric Socket 10mm

### 7 Pc. 3/8" Drive Bit Socket Set

- Heat treated for maximum durability
- Bits made of S2 steel for strength and durability
- Hard stamped size markings
- Bright, full polish chrome finish easily wipes clean and resists corrosion
- Includes socket rail for storage and organization
- Meets or exceeds ASME specifications



Cat. No.	Included Storage	Product Weight
80577	Socket Rail	0.70 lb

Cat. No.	Description	Cat. No.	Description
80467	3/8" Drive Phillips® Bit Socket #1	80464	3/8" Drive Slotted Bit Socket 4mm
80468	3/8" Drive Phillips® Bit Socket #2	80465	3/8" Drive Slotted Bit Socket 5mm
80469	3/8" Drive Phillips® Bit Socket #3	80466	3/8" Drive Slotted Bit Socket 6mm
80470	3/8" Drive Pozidriv® Bit Socket #2		



### 9 Pc. 3/8" Drive Universal External Torx® Socket Set

- Universal joint allows for greater access
- Hard stamped size markings
- Bright, full polish chrome finish easily wipes clean and resists corrosion
- Includes socket rail for storage and organization



Cat. No.	Included Storage	Product Weight
80985	Socket Rail	1.34 lb

Cat. No.	Description	Cat. No.	Description
80976	3/8" Drive Universal External Torx® Sockets E4	80981	3/8" Drive Universal External Torx® Sockets E10
80977	3/8" Drive Universal External Torx® Sockets E5	80982	3/8" Drive Universal External Torx® Sockets E12
80978	3/8" Drive Universal External Torx® Sockets E6	80983	3/8" Drive Universal External Torx® Sockets E14
80979	3/8" Drive Universal External Torx® Sockets E7	80984	3/8" Drive Universal External Torx® Sockets E16
80980	3/8" Drive Universal External Torx® Sockets E8		



### 18 Pc. 3/8" Drive Ratchet and Drive Tool Set

- 84 tooth ratchets need as little as 4.3° to move fasteners for tighter turns
- Manufactured from alloy steel for better strength and longer tool life
- Bright, full polish chrome finish wipes easily clean to resist rust and corrosion
- Meets or exceeds ASME specifications



Cat. No.	Included Storage	Product Weight
81254	None	7.710 lb

Cat. No.	Description	Cat. No.	Description
81211F	3/8" Drive 84 Tooth Teardrop Ratchet 8-1/4"	81243	3/8" Drive Extension 10"
81209F	3/8" Drive 84 Tooth Stubby Teardrop Ratchet 4-3/4"	81244	3/8" Drive Extension 12"
81264	3/8" Drive 84 Tooth Long Handle Teardrop Ratchet 11"	81245	3/8" Drive Wobble Extension 1.5"
81215F	3/8" Drive 84 Tooth Flex Head Teardrop Ratchet 11-1/2"	81246	3/8" Drive Wobble Extension 3"
81221	3/8" Drive Breaker Bar 12"	81247	3/8" Drive Wobble Extension 6"
80549	3/8" Drive Universal Joint	81250	3/8" Drive Locking Extension 3"
81240	3/8" Drive Extension 1-1/2"	81251	3/8" Drive Locking Extension 6"
81241	3/8" Drive Extension 3"	81277	3/8" Drive 3/8" F x 1/4" M Adapter
81242	3/8" Drive Extension 6"	81278	3/8" Drive 3/8" F x 1/2" M Adapter

### 3/8" Drive 120XP™ Teardrop Ratchet

- 120XP™ ratchets have two double stacked 60 tooth pawls (120 positions) providing a 3° swing arc so you can turn fasteners in tighter confines
- Double-stacked pawls alternately engage the 60 tooth gear, providing exceptional strength
- Highly visible on/off markings on the head for fast size identification
- Enclosed head design for extreme resistance to dirt infiltration
- Teardrop, low-profile head and flush-mounted on/off switch allow better access in tight spaces
- Longer reach handle to access hard-to-reach fasteners
- Bright, full polish chrome finish easily wipes clean and resists corrosion
- Meets or exceeds ASME specifications



Cat. No.	Overall Length	Head Width	Head Thickness	Tooth Count	Repair Kit	Product Weight
81211P	8.386 in	1.22 in	0.55 in	120XP	81227P	0.79 lb

### 3/8" Drive 120XP™ Extra Long Handle Teardrop Ratchet

- 120XP™ ratchets have two double stacked 60 tooth pawls (120 positions) providing a 3° swing arc so you can turn fasteners in tighter confines
- Double-stacked pawls alternately engage the 60 tooth gear, providing exceptional strength
- 18-inch extra-long handle for additional access
- Low-profile teardrop head and flush-mounted on/off switch for better access in tight spaces
- Enclosed head design with extreme resistance to dirt infiltration
- Highly visible on/off markings on the head
- Bright, full polish chrome finish easily wipes clean and resists corrosion



**120XP**

Cat. No.	Overall Length	Head Width	Head Thickness	Tooth Count	Repair Kit	Product Weight
81269	18 in	1.25 in	.55 in	120XP	81227P	1.080 lb

### 3/8" Drive 120XP™ Flex Head Teardrop Ratchet

- 120XP™ ratchets have two double stacked 60 tooth pawls (120 positions) providing a 3° swing arc so you can turn fasteners in tighter confines
- Double-stacked pawls alternately engage the 60 tooth gear, providing exceptional strength
- Flexible head provides access for hard to reach fasteners
- Highly visible on/off markings on the head for fast size identification
- Enclosed head design for extreme resistance to dirt infiltration
- Teardrop, low-profile head and flush-mounted on/off switch allow better access in tight spaces
- Longer reach handle to access hard-to-reach fasteners
- Bright, full polish chrome finish easily wipes clean and resists corrosion
- Meets or exceeds ASME specifications



**120XP**

Cat. No.	Overall Length	Head Width	Head Thickness	Tooth Count	Repair Kit	Product Weight
81215P	11.47 in	1.30 in	0.55 in	120XP	81227P	1.10 lb

### 3/8" 120XP™ Dual Material Flex Head Teardrop Ratchet

- 120XP™ ratchets have two double stacked 60 tooth pawls (120 positions) providing a 3° swing arc so you can turn fasteners in tighter confines
- Double-stacked pawls alternately engage the 60 tooth gear, providing exceptional strength
- Highly visible on/off markings on the head for fast size identification
- Enclosed head design for extreme resistance to dirt infiltration
- Teardrop, low-profile head and flush-mounted on/off switch allow better access in tight spaces
- Longer reach handle to access hard-to-reach fasteners
- Bright, full polish chrome finish easily wipes clean and resists corrosion
- Meets or exceeds ASME specifications



**120XP**

Cat. No.	Overall Length	Head Width	Head Thickness	Tooth Count	Repair Kit	Product Weight
81210P	13.58 in	1.3 in	0.55 in	120XP	81227P	0.99 lb

### 3/8" Drive 120XP™ Stubby Flex Head Teardrop Ratchet

- 120XP™ ratchets have two double stacked 60 tooth pawls (120 positions) providing a 3° swing arc so you can turn fasteners in tighter confines
- Double-stacked pawls alternately engage the 60 tooth gear, providing exceptional strength
- Flexible head provides access for hard to reach fasteners
- Highly visible on/off markings on the head for fast size identification
- Enclosed head design for extreme resistance to dirt infiltration
- Teardrop, low-profile head and flush-mounted on/off switch allow better access in tight spaces
- Bright, full polish chrome finish easily wipes clean and resists corrosion
- Meets or exceeds ASME specifications



**120XP**

Cat. No.	Overall Length	Head Width	Head Thickness	Tooth Count	Repair Kit	Product Weight
81212P	5 in	1.30 in	0.55 in	120XP	81227P	0.55 lb



### 3/8" Drive 84 Tooth Teardrop Ratchet

- 84 tooth gear offers a 4.3° swing arc for easy access
- Teardrop shaped head and flush-mounted on/off switch allow even more access in tight spaces
- Bright, full polish chrome finish easily wipes clean and resists corrosion
- Meets or exceeds ASME specifications



Cat. No.	Overall Length	Head Width	Head Thickness	Tooth Count	Repair Kit	Product Weight
81211F	8.39 in	1.25 in	0.47 in	84	81227F	0.68 lb

### 3/8" Drive 84 Tooth Dual Material Teardrop Ratchet

- 84 tooth gear offers a 4.3° swing arc for easy access
- Teardrop shaped head and flush-mounted on/off switch allow even more access in tight spaces
- Bright, full polish chrome finish easily wipes clean and resists corrosion
- Dual material comfort grip handle
- Meets or exceeds ASME specifications



Cat. No.	Overall Length	Head Width	Head Thickness	Tooth Count	Repair Kit	Product Weight
81208F	9.02 in	1.25 in	0.47 in	84	81227F	0.64 lb

### 3/8" Drive 84 Tooth Long Handle Teardrop Ratchet

- 84 tooth gear offers a 4.3° swing arc for easy access
- Flush mounted on/off lever
- Teardrop shaped head for improved access
- Long, full polish chrome handle for increased access
- Meets or exceeds ASME specifications



Cat. No.	Overall Length	Head Width	Head Thickness	Tooth Count	Repair Kit	Product Weight
81264	11 in	1.25 in	0.47 in	84	81227F	0.81 lb

### 3/8" Drive 84 Tooth Long Handle Dual Material Teardrop Ratchet

- Flush mounted on/off lever
- Teardrop shaped head for improved access
- Full polish chrome finish wipes clean easily
- Long, dual material comfort handle for increased access
- Meets or exceeds ASME specifications



Cat. No.	Overall Length	Head Width	Head Thickness	Tooth Count	Repair Kit	Product Weight
81265	13 in	1.25 in	0.47 in	84	81227F	0.77 lb

### 3/8" Drive 84 Tooth Stubby Teardrop Ratchet

- 84 tooth gear offers a 4.3° swing arc for easy access
- Teardrop shaped head and flush-mounted on/off switch allow even more access in tight spaces
- Bright, full polish chrome finish easily wipes clean and resists corrosion
- Meets or exceeds ASME specifications



Cat. No.	Overall Length	Head Width	Head Thickness	Tooth Count	Repair Kit	Product Weight
81209F	4.72 in	1.25 in	0.47 in	84	81227F	0.41 lb

### 3/8" Drive 84 Tooth Flex Head Teardrop Ratchet

- 84 tooth gear offers a 4.3° swing arc for easy access
- Teardrop shaped head and flush-mounted on/off lever allow better access in hard-to-reach places
- Bright, full polish chrome finish easily wipes clean and resists corrosion
- Flexible head provides access for hard to reach fasteners
- Meets or exceeds ASME specifications



Cat. No.	Overall Length	Head Width	Head Thickness	Tooth Count	Repair Kit	Product Weight
81215F	11-1/2 in	1.25 in	0.47 in	84	81227F	0.85 lb

### 3/8" Drive 84 Tooth Dual Material Flex Head Teardrop Ratchet

- 84 tooth gear offers a 4.3° swing arc for easy access
- Teardrop shaped head and flush-mounted on/off switch allow even more access in tight spaces
- Bright, full polish chrome finish easily wipes clean and resists corrosion
- Dual material comfort grip handle
- Meets or exceeds ASME specifications



Cat. No.	Overall Length	Head Width	Head Thickness	Tooth Count	Repair Kit	Product Weight
81210F	13.13 in	1.25 in	0.47 in	84	81227F	0.94 lb

### 3/8" Drive 84 Tooth Stubby Flex Head Teardrop Ratchet

- 84 tooth gear offers a 4.3° swing arc for easy access
- Teardrop shaped head and flush-mounted on/off switch allow even more access in tight spaces
- Bright, full polish chrome finish easily wipes clean and resists corrosion
- Meets or exceeds ASME specifications



Cat. No.	Overall Length	Head Width	Head Thickness	Tooth Count	Repair Kit	Product Weight
81212F	5.02 in	1.25 in	0.47 in	84	81227F	0.52 lb

### 3/8" Drive 84 Tooth Locking Flex Head Teardrop Ratchet

- 84 tooth gear offers a 4.3° swing arc for easy access
- Locking flex head with 9 locked and unlocked positions for adjustable access angle
- Teardrop, low-profile head and flush-mounted on/off switch allow even more access in tight spaces
- Enclosed head design for extreme resistance to dirt infiltration
- Bright, full polish chrome finish easily wipes clean and resists corrosion
- Includes tray for storage and organization
- Meets or exceeds ASME specifications



Cat. No.	Overall Length	Head Width	Head Thickness	Tooth Count	Repair Kit	Product Weight
81266	11.47 in	1.25 in	0.47 in	84	81227F	0.93 lb

### 3/8" Drive 84 Tooth Dual Material Locking Flex Head Teardrop Ratchet

- 84 tooth gear offers a 4.3° swing arc for easy access
- Locking flex head with 9-locked and unlocked positions for adjustable access angle
- Teardrop, low-profile head and flush-mounted on/off switch allow even more access in tight spaces
- Enclosed head design for extreme resistance to dirt infiltration
- Bright, full polish chrome finish easily wipes clean and resists corrosion
- Dual material comfort grip handle
- Meets or exceeds ASME specifications



Cat. No.	Overall Length	Head Width	Head Thickness	Tooth Count	Repair Kit	Product Weight
81267	13.63 in	1.25 in	0.47 in	84	81227F	0.94 lb

### 3/8" Drive 45 Tooth Quick Release Teardrop Ratchet

- 45 tooth teardrop shaped head with on/off switch allow even more access in tight spaces
- Quick release design allows for rapid socket removal
- Bright chrome finish wipes clean easily and resists rust or corrosion
- Meets or exceeds ASME specifications



Cat. No.	Overall Length	Head Width	Head Thickness	Tooth Count	Product Weight
81218	7.87 in	1.25 in	0.57 in	45	0.85 lb

### 3/8" Drive 45 Tooth Quick Release Flex Head Teardrop Ratchet

- 45 tooth teardrop shaped head with on/off switch allow even more access in tight spaces
- Quick release design allows for rapid socket removal
- Bright chrome finish wipes clean easily and resists rust or corrosion
- Meets or exceeds ASME specifications



Cat. No.	Overall Length	Head Width	Head Thickness	Tooth Count	Product Weight
81219	10.3 in	1.22 in	0.57 in	45	1.10 lb

### 3 Pc. 3/8" Drive Spark Plug Set

- 84 tooth gear offers a 4.3° swing arc for easy access
- Offset angled handle design for better access
- Dual material comfort grip handle
- Flexible head provides access for hard to reach fasteners
- Teardrop shaped head and flush-mounted on/off switch allow even more access in tight spaces
- Magnetic swivel sparkplug sockets
- Bright, full polish chrome finish easily wipes clean and resists corrosion
- Meets or exceeds ASME specifications



Cat. No.	Included Storage	Product Weight
81229	None	2.20 lb

Cat. No.	Description
81213F	3/8" Drive 84 Tooth Dual Material Offset Flex Head Teardrop Ratchet 12-1/4"
3928D	3/8" Drive 6 Point 6" Magnetic Swivel Spark Plug Socket 5/8"
3930D	3/8" Drive 6 Point 6" Magnetic Swivel Spark Plug Socket 13/16"

### 3/8" Drive 84 Tooth Offset Flex Head Teardrop Ratchet

- 84 tooth gear offers a 4.3° swing arc for easy access
- Teardrop shaped head and flush-mounted on/off switch allow even more access in tight spaces
- Bright, full polish chrome finish easily wipes clean and resists corrosion
- Meets or exceeds ASME specifications



Cat. No.	Overall Length	Head Width	Head Thickness	Tooth Count	Repair Kit	Product Weight
81214F	11 in	1.25 in	0.47 in	84	81227F	0.90 lb

### 3/8" Drive 84 Tooth Dual Material Offset Flex Head Teardrop Ratchet

- 84 tooth gear offers a 4.3° swing arc for easy access
- Offset angled handle design for better access
- Dual material comfort grip handle
- Flexible head provides access for hard to reach fasteners
- Teardrop shaped head and flush-mounted on/off switch allow even more access in tight spaces
- Bright, full polish chrome finish easily wipes clean and resists corrosion
- Meets or exceeds ASME specifications



Cat. No.	Overall Length	Head Width	Head Thickness	Tooth Count	Repair Kit	Product Weight
81213F	12.26 in	1.25 in	0.48 in	84	81227F	0.99 lb

### 3/8" Drive 72 Tooth Dual Material Roto Ratchet

- 360° rotating head for maximum speed and access
- 72 tooth ratchet turns fasteners with a 5° swing arc
- Round shaped head works well around obstacles
- Dual material comfort grip handle for a non-clip grip
- Bright, full polish chrome finish easily wipes clean and resists corrosion
- Meets or exceeds ASME specifications



Cat. No.	Overall Length	Head Width	Head Thickness	Tooth Count	Product Weight
81225	9.84 in	1.72 in	0.71 in	72	0.85 lb

### 3/8" Drive 72 Tooth Indexible Head Ratchet

- 72 tooth ratcheting mechanism offers a 5° swing arc
- 11 locking head positions for maximum safety during multi-angle, multi-application use regardless of load
- Strip-proof locking mechanism engages with 18 pins for maximum strength
- Locking mechanism is easy to operate – push button, set and release
- Ergonomic "hour glass" handle design is comfortable in-hand and reduces fatigue
- Greater strength and durability from high alloy steel body and heat-treated manufacturing
- Made in the USA



Cat. No.	Overall Length	Head Width	Head Thickness	Tooth Count	Product Weight
11-996G	10 in	1.188 in	1 in	72	1.75 lb



### 3/8" Drive 72 Tooth Gimbal Ratchet

- Gimbal design allows ratchet to pivot in two directions for easier access
- 72 tooth ratcheting mechanism with a 5° swing arc
- Anodized aluminum finish
- Easy to use forward/reverse lever
- Meets or exceeds ASME specifications



Cat. No.	Tooth Count	Product Weight
81270	72	0.21 lb

### 3/8" Drive 72 Tooth Thumbwheel Ratchet

- 84 tooth gear offers a 4.3° swing arc for easy access
- Locking flex head with 9-locked and unlocked positions for adjustable access angle
- Teardrop, low-profile head and flush-mounted on/off switch allow even more access in tight spaces
- Enclosed head design for extreme resistance to dirt infiltration
- Bright, full polish chrome finish easily wipes clean and resists corrosion
- Meets or exceeds ASME specifications



Cat. No.	Tooth Count	Product Weight
81226	72	0.25 lb

### 3/8" Drive Non-Quick Release Ratchet Repair Kits

- For non-quick release and non-roto ratchets



Cat. No.	Description	Fits Product Number	Tooth Count	Positions	Product Weight
81227	3/8" Drive Non-Quick Release Ratchet Repair Kit	81229, 81211, 81215, 81209, 81212, 81214	60	-	0.08 lb
81227F	3/8" Drive Non-Quick Release Ratchet Repair Kit	81211, 81215, 81209, 81212, 81214, 81210F, 81211F, 81215F, 81209F, 81212F, 81214F	84	-	0.08 lb
81227P	3/8" Drive 120XP™ Non-Quick Release Dual Pawl Ratchet Repair Kit	81210P, 81211P, 81212P, 81215P	120XP	120	0.12 lb

### 3/8" Drive Full Polish Flex Handle/Breaker Bars

- 180° flex tang for greater access
- Ball detent for secure socket retention
- Bright, full polish chrome finish easily wipes clean and resists corrosion
- Ergonomic handle for reduced user fatigue
- Meets or exceeds ASME specifications



Cat. No.	Overall Length	Product Weight
81221	12 in	0.85 lb
87802	18 in	1.310 lb

### 3/8" Drive Speeder Handle

- Free rotating top handle grip delivers ultra-fast action for tightening and removing fasteners
- Ball detent for secure socket retention
- Bright, full polish chrome finish easily wipes clean and resists corrosion



Cat. No.	Overall Length	Product Weight
81239	16.75 in	1.55 lb

### 3/8" Drive Universal Joint

- Universal joint allows for greater access
- Ball detent for secure socket retention
- Bright, full polish chrome finish easily wipes clean and resists corrosion



Cat. No.	Overall Length	Product Weight
80549	2 in	0.15 lb

### 3/8" Drive Adapters

- Ball detent for secure socket retention
- Bright, full polish chrome finish easily wipes clean and resists corrosion



Cat. No.	Overall Length	Female Drive Size	Male Drive Size	Product Weight
81277	1 in	3/8"	1/4"	0.40 lb
81278	1.44 in	3/8"	1/2"	0.11 lb

### 4 Pc. 3/8" Drive Extension Set

- Ball detent for secure socket retention
- Knurled grip provides a nonslip surface
- Bright, full polish chrome finish easily wipes clean and resists corrosion



Cat. No.	Included Storage	Product Weight
81200D	Tray	1.32 lb

Cat. No.	Description	Cat. No.	Description
81240	3/8" Drive Extension 1-1/2"	81242	3/8" Drive Extension 6"
81241	3/8" Drive Extension 3"	81244	3/8" Drive Extension 12"

### 3/8" Drive Extensions

- Ball detent for secure socket retention
- Knurled grip provides a nonslip surface
- Hard stamped size markings
- Bright, full polish chrome finish easily wipes clean and resists corrosion
- Meets or exceeds ASME specifications



Cat. No.	Overall Length	Wobble	Product Weight
81240	1.5 in	No	0.07 lb
81241	3 in	No	0.15 lb
81242	6 in	No	0.31 lb
81243	10 in	No	0.51 lb
81244	12 in	No	0.55 lb
87804	18 in	No	0.830 lb

### 4 Pc. 3/8" Drive Wobble Extension Set

- Functions as a standard extension when fully inserted or as a wobble extension if partially inserted
- Ball detent for secure socket retention
- Knurled grip provides non-slip surface
- Bright, full polish chrome finish easily wipes clean and resists corrosion



Cat. No.	Included Storage	Product Weight
81201	Tray	1.32 lb

Cat. No.	Description	Cat. No.	Description
81246	3/8" Drive Wobble Extension 3"	81248	3/8" Drive Wobble Extension 10"
81247	3/8" Drive Wobble Extension 6"	81249	3/8" Drive Wobble Extension 12"

### 3/8" Drive Wobble Extension

- Functions as a standard extension when fully inserted or as a wobble extension if partially inserted
- Ball detent for secure socket retention
- Knurled grip provides non-slip surface
- Bright, full polish chrome finish easily wipes clean and resists corrosion



Cat. No.	Overall Length	Wobble	Product Weight
81246	3 in	Yes	0.15 lb
81247	6 in	Yes	0.31 lb
81248	10 in	Yes	0.51 lb
81249	12 in	Yes	0.55 lb

### 3 Pc. 3/8" Drive Locking Extension Set

- Locking mechanism with sliding collar securely attaches socket to extension
- Knurled grip provides a nonslip surface
- Bright, full polish chrome finish easily wipes clean and resists corrosion
- Hard stamped size markings



Cat. No.	Included Storage	Product Weight
81202	None	1.10 lb

Cat. No.	Description
81250	3/8" Drive Locking Extension 3"
81251	3/8" Drive Locking Extension 6"
81272	3/8" Drive Locking Extension 10"

### 3/8" Drive Locking Extensions

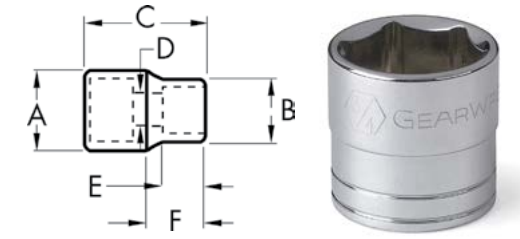
- Locking mechanism with sliding collar securely attaches socket to extension
- Knurled grip provides a nonslip surface
- Bright, full polish chrome finish easily wipes clean and resists corrosion
- Hard stamped size markings



Cat. No.	Overall Length	Wobble	Product Weight
81250	3 in	No	0.15 lb
81251	6 in	No	0.31 lb
81272	10 in	No	0.51 lb
81273	16.44 in	No	0.765 lb
81279	20.44 in	No	0.960 lb
81281	26.44 in	No	1.100 lb

### 3/8" Drive 6 Point Standard Length Sockets

- Off-corner loading design reduces fastener rounding
- Chamfered opening quickly guides fasteners into socket
- Hard stamped size markings
- Double line (SAE) and knurled (metric) ring help easily identify standard and metric sockets
- Bright, full polish chrome finish easily wipes clean and resists corrosion
- Meets or exceeds ASME specifications

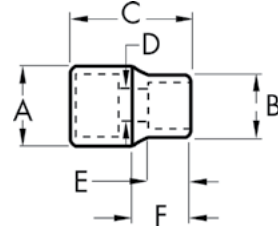


Cat. No.	SAE/Metric	Fastener Size	Dim. A: Drive End	Dim. B: Wrench End	Dim. C: Overall Length	Dim. D: Bolt Clearance	Dim. E: Wrench Depth	Dim. F: Length to Shoulder	Product Weight
80350	SAE	1/4 in	0.677 in	0.394 in	0.984 in	0.197 in	0.295 in	0.453 in	0.04 lb
80351	SAE	5/16 in	0.677 in	0.461 in	0.984 in	0.283 in	0.295 in	0.453 in	0.04 lb
80352	SAE	3/8 in	0.677 in	0.543 in	0.984 in	0.283 in	0.295 in	0.453 in	0.04 lb
80353	SAE	7/16 in	0.677 in	0.630 in	0.984 in	0.354 in	0.295 in	0.453 in	0.04 lb
80354	SAE	1/2 in	0.705 in	0.685 in	0.984 in	0.354 in	0.295 in	0.453 in	0.07 lb
80355	SAE	9/16 in	0.776 in	0.776 in	0.984 in	0.354 in	0.492 in	0.453 in	0.07 lb
80356	SAE	5/8 in	0.874 in	0.874 in	0.984 in	0.354 in	0.492 in	0.453 in	0.11 lb
80357	SAE	11/16 in	0.941 in	0.941 in	0.984 in	0.354 in	0.492 in	0.453 in	0.11 lb
80358	SAE	3/4 in	1.020 in	1.020 in	0.984 in	0.354 in	0.492 in	0.453 in	0.13 lb
80359	SAE	13/16 in	1.098 in	1.098 in	1.102 in	0.354 in	0.591 in	0.453 in	0.18 lb
80360	SAE	7/8 in	1.169 in	1.169 in	1.102 in	0.354 in	0.591 in	0.453 in	0.20 lb
80361	SAE	15/16 in	1.256 in	1.256 in	1.161 in	0.354 in	0.591 in	0.453 in	0.24 lb
80362	SAE	1 in	1.335 in	1.335 in	1.319 in	0.354 in	0.709 in	0.453 in	0.29 lb
80374	Metric	6 mm	0.669 in	0.366 in	0.984 in	0.197 in	0.295 in	0.453 in	0.04 lb
80375	Metric	7 mm	0.669 in	0.425 in	0.984 in	0.197 in	0.295 in	0.453 in	0.03 lb
80376	Metric	8 mm	0.669 in	0.472 in	0.984 in	0.283 in	0.295 in	0.453 in	0.03 lb
80377	Metric	9 mm	0.669 in	0.508 in	0.984 in	0.283 in	0.295 in	0.453 in	0.04 lb
80378	Metric	10 mm	0.669 in	0.571 in	0.984 in	0.283 in	0.295 in	0.453 in	0.04 lb
80379	Metric	11 mm	0.669 in	0.622 in	0.984 in	0.354 in	0.295 in	0.453 in	0.03 lb
80380	Metric	12 mm	0.669 in	0.654 in	0.984 in	0.354 in	0.315 in	0.453 in	0.03 lb
80381	Metric	13 mm	0.720 in	0.697 in	0.984 in	0.354 in	0.315 in	0.453 in	0.06 lb
80382	Metric	14 mm	0.768 in	0.768 in	0.984 in	0.354 in	0.492 in	0.453 in	0.06 lb
80383	Metric	15 mm	0.819 in	0.819 in	0.984 in	0.354 in	0.492 in	0.453 in	0.07 lb
80384	Metric	16 mm	0.866 in	0.866 in	0.984 in	0.354 in	0.492 in	0.453 in	0.08 lb
80385	Metric	17 mm	0.917 in	0.917 in	0.984 in	0.354 in	0.492 in	0.453 in	0.11 lb
80386	Metric	18 mm	0.937 in	0.937 in	0.984 in	0.354 in	0.492 in	0.453 in	0.11 lb
80387	Metric	19 mm	0.937 in	0.937 in	0.984 in	0.354 in	0.492 in	0.453 in	0.13 lb
80330	Metric	20 mm	1.016 in	1.063 in	1.102 in	0.354 in	0.591 in	0.453 in	0.17 lb
80331	Metric	21 mm	1.051 in	1.098 in	1.102 in	0.354 in	0.591 in	0.453 in	0.19 lb
80332	Metric	22 mm	1.114 in	1.161 in	1.102 in	0.354 in	0.591 in	0.453 in	0.22 lb



### 3/8" Drive 12 Point Standard Length Sockets

- Off-corner loading design reduces fastener rounding
- Chamfered opening quickly guides fasteners into socket
- Hard stamped size markings
- Double line (SAE) and knurled (metric) ring help easily identify standard and metric sockets
- Bright, full polish chrome finish easily wipes clean and resists corrosion
- Meets or exceeds ASME specifications



Cat. No.	SAE/Metric	Fastener Size	Dim. A: Drive End	Dim. B: Wrench End	Dim. C: Overall Length	Dim. D: Bolt Clearance	Dim. E: Wrench Depth	Dim. F: Length to Shoulder	Product Weight
80496	SAE	1/4 in	0.677 in	0.394 in	0.984 in	0.197 in	0.295 in	0.453 in	0.04 lb
80497D	SAE	5/16 in	0.677 in	0.461 in	0.984 in	0.283 in	0.295 in	0.453 in	0.04 lb
80498	SAE	3/8 in	0.677 in	0.543 in	0.984 in	0.283 in	0.295 in	0.453 in	0.05 lb
80499	SAE	7/16 in	0.677 in	0.630 in	0.984 in	0.354 in	0.295 in	0.453 in	0.05 lb
80500D	SAE	1/2 in	0.705 in	0.685 in	0.984 in	0.354 in	0.295 in	0.453 in	0.06 lb
80501	SAE	9/16 in	0.776 in	0.776 in	0.984 in	0.354 in	0.492 in	0.453 in	0.07 lb
80502	SAE	5/8 in	0.874 in	0.874 in	0.984 in	0.354 in	0.492 in	0.453 in	0.09 lb
80503	SAE	11/16 in	0.941 in	0.941 in	0.984 in	0.354 in	0.492 in	0.453 in	0.10 lb
80504	SAE	3/4 in	1.020 in	1.020 in	0.984 in	0.354 in	0.492 in	0.453 in	0.12 lb
80505	SAE	13/16 in	1.098 in	1.098 in	1.102 in	0.354 in	0.591 in	0.453 in	0.15 lb
80506D	SAE	7/8 in	1.169 in	1.169 in	1.102 in	0.354 in	0.591 in	0.453 in	0.15 lb
80507	SAE	15/16 in	1.256 in	1.256 in	1.161 in	0.354 in	0.591 in	0.453 in	0.15 lb
80508	SAE	1 in	1.335 in	1.335 in	1.319 in	0.354 in	0.709 in	0.453 in	0.16 lb
80482	Metric	6 mm	0.669 in	0.366 in	0.984 in	0.197 in	0.295 in	0.453 in	0.04 lb
80483	Metric	7 mm	0.669 in	0.425 in	0.984 in	0.197 in	0.295 in	0.453 in	0.03 lb
80484	Metric	8 mm	0.669 in	0.472 in	0.984 in	0.283 in	0.295 in	0.453 in	0.03 lb
80485	Metric	9 mm	0.669 in	0.508 in	0.984 in	0.283 in	0.295 in	0.453 in	0.04 lb
80486	Metric	10 mm	0.669 in	0.571 in	0.984 in	0.283 in	0.295 in	0.453 in	0.04 lb
80487	Metric	11 mm	0.669 in	0.622 in	0.984 in	0.354 in	0.295 in	0.453 in	0.03 lb
80488	Metric	12 mm	0.669 in	0.654 in	0.984 in	0.354 in	0.315 in	0.453 in	0.03 lb
80489	Metric	13 mm	0.720 in	0.697 in	0.984 in	0.354 in	0.315 in	0.453 in	0.06 lb
80490	Metric	14 mm	0.768 in	0.768 in	0.984 in	0.354 in	0.492 in	0.453 in	0.06 lb
80491	Metric	15 mm	0.819 in	0.819 in	0.984 in	0.354 in	0.492 in	0.453 in	0.07 lb
80492	Metric	16 mm	0.866 in	0.866 in	0.984 in	0.354 in	0.492 in	0.453 in	0.08 lb
80493	Metric	17 mm	0.917 in	0.917 in	0.984 in	0.354 in	0.492 in	0.453 in	0.11 lb
80494	Metric	18 mm	0.937 in	0.937 in	0.984 in	0.354 in	0.492 in	0.453 in	0.11 lb
80495	Metric	19 mm	0.957 in	1.004 in	0.984 in	0.354 in	0.492 in	0.453 in	0.13 lb
80596	Metric	20 mm	1.016 in	1.063 in	1.102 in	0.354 in	0.591 in	0.453 in	0.17 lb
80597	Metric	21 mm	1.051 in	1.098 in	1.102 in	0.354 in	0.591 in	0.453 in	0.19 lb
80598	Metric	22 mm	1.114 in	1.161 in	1.102 in	0.354 in	0.591 in	0.453 in	0.22 lb

### 3/8" Drive 6 Point Mid Length Sockets

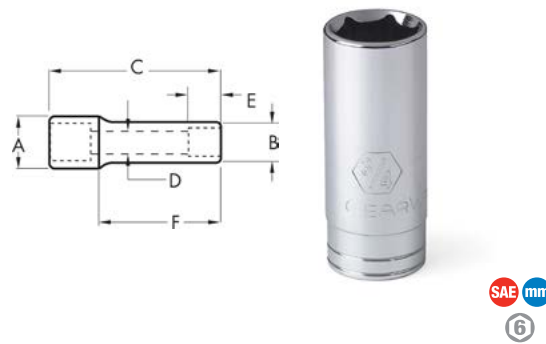
- Mid-length design for access to fasteners in hard-to-reach places
- Off-corner loading reduces fastener rounding
- Chamfered opening quickly guides fasteners into the socket
- Double line (SAE) and knurled (metric) ring help easily identify standard and metric sockets
- Hard stamped size markings
- Bright, full polish chrome finish easily wipes clean and resists corrosion
- Meets or exceeds ASME specifications



Cat. No.	SAE/Metric	Fastener Size	Dim. A: Drive End	Dim. B: Wrench End	Dim. C: Overall Length	Dim. D: Bolt Clearance	Dim. E: Wrench Depth	Product Weight
80363S	SAE	1/4 in	0.66 in	0.39 in	1.81 in	0.18 in	0.35 in	0.07 lb
80364S	SAE	5/16 in	0.66 in	0.46 in	1.81 in	0.20 in	0.51 in	0.07 lb
80365S	SAE	3/8 in	0.66 in	0.54 in	1.81 in	0.30 in	0.63 in	0.08 lb
80366S	SAE	7/16 in	0.66 in	0.62 in	1.81 in	0.35 in	0.63 in	0.09 lb
80367S	SAE	1/2 in	0.74 in	0.74 in	1.81 in	0.43 in	0.83 in	0.12 lb
80368S	SAE	9/16 in	0.78 in	0.78 in	1.81 in	0.47 in	0.83 in	0.13 lb
80369S	SAE	5/8 in	0.81 in	0.86 in	1.81 in	0.55 in	0.83 in	0.16 lb
80370S	SAE	11/16 in	0.87 in	0.94 in	1.81 in	0.59 in	0.83 in	0.19 lb
80371S	SAE	3/4 in	0.94 in	1.02 in	1.81 in	0.67 in	0.83 in	0.22 lb
80372S	SAE	13/16 in	0.98 in	1.09 in	1.81 in	0.75 in	1.02 in	0.25 lb
80373S	SAE	7/8 in	1.08 in	1.17 in	1.81 in	0.79 in	1.02 in	0.29 lb
80388S	Metric	6 mm	0.66 in	0.39 in	1.81 in	0.16 in	0.35 in	0.07 lb
80389S	Metric	7 mm	0.66 in	0.42 in	1.81 in	0.2 in	0.35 in	0.08 lb
80390S	Metric	8 mm	0.66 in	0.47 in	1.81 in	0.24 in	0.59 in	0.07 lb
80391S	Metric	9 mm	0.66 in	0.52 in	1.81 in	0.28 in	0.59 in	0.08 lb
80392S	Metric	10 mm	0.66 in	0.56 in	1.81 in	0.31 in	0.63 in	0.08 lb
80393S	Metric	11 mm	0.66 in	0.62 in	1.81 in	0.35 in	0.63 in	0.08 lb
80394S	Metric	12 mm	0.70 in	0.70 in	1.81 in	0.39 in	0.83 in	0.11 lb
80395S	Metric	13 mm	0.74 in	0.74 in	1.81 in	0.43 in	0.83 in	0.12 lb
80396S	Metric	14 mm	0.78 in	0.78 in	1.81 in	0.47 in	0.83 in	0.13 lb
80397S	Metric	15 mm	0.81 in	0.81 in	1.81 in	0.51 in	0.83 in	0.16 lb
80398S	Metric	16 mm	0.81 in	0.81 in	1.81 in	0.55 in	0.83 in	0.15 lb
80399S	Metric	17 mm	0.87 in	0.87 in	1.81 in	0.59 in	0.83 in	0.19 lb
80400S	Metric	18 mm	0.91 in	0.91 in	1.81 in	0.63 in	0.83 in	0.21 lb
80401S	Metric	19 mm	0.94 in	0.94 in	1.81 in	0.67 in	0.83 in	0.22 lb

### 3/8" Drive 6 Point Deep Length Sockets

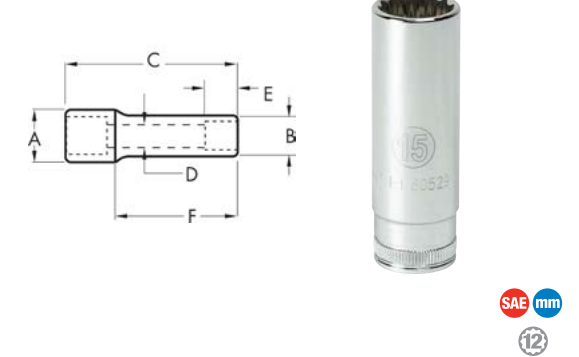
- Off-corner loading design reduces fastener rounding
- Chamfered opening quickly guides fasteners into socket
- Hard stamped size markings
- Double line (SAE) and knurled (metric) ring help easily identify standard and metric sockets
- Bright, full polish chrome finish easily wipes clean and resists corrosion
- Meets or exceeds ASME specifications



Cat. No.	SAE/Metric	Fastener Size	Dim. A: Drive End	Dim. B: Wrench End	Dim. C: Overall Length	Dim. D: Bolt Clearance	Dim. E: Wrench Depth	Dim. F: Length to Shoulder	Product Weight
80363	SAE	1/4 in	0.661 in	0.394 in	2.5 in	0.217 in	0.157 in	1.142 in	0.11 lb
80364	SAE	5/16 in	0.661 in	0.461 in	2.5 in	0.276 in	0.197 in	1.142 in	0.11 lb
80365	SAE	3/8 in	0.661 in	0.543 in	2.5 in	0.335 in	0.201 in	1.142 in	0.12 lb
80366	SAE	7/16 in	0.661 in	0.630 in	2.5 in	0.335 in	0.236 in	1.142 in	0.13 lb
80367	SAE	1/2 in	0.720 in	0.685 in	2.5 in	0.335 in	0.287 in	1.142 in	0.15 lb
80368	SAE	9/16 in	0.780 in	0.780 in	2.5 in	0.335 in	0.350 in	1.142 in	0.18 lb
80369	SAE	5/8 in	0.866 in	0.866 in	2.5 in	0.335 in	0.398 in	1.142 in	0.24 lb
80370D	SAE	11/16 in	0.937 in	0.937 in	2.5 in	0.335 in	0.398 in	1.142 in	0.29 lb
80371	SAE	3/4 in	1.016 in	1.016 in	2.5 in	0.335 in	0.457 in	1.142 in	0.33 lb
80372	SAE	13/16 in	1.094 in	1.094 in	2.5 in	0.335 in	0.480 in	1.142 in	0.40 lb
80373	SAE	7/8 in	1.173 in	1.173 in	2.5 in	0.335 in	0.520 in	1.142 in	0.44 lb
80592	SAE	15/16 in	1.205 in	1.252 in	2.5 in	0.335 in	0.567 in	1.142 in	0.46 lb
80593	SAE	1 in	1.272 in	1.319 in	2.5 in	0.335 in	0.567 in	1.142 in	0.52 lb
80388	Metric	6 mm	0.661 in	0.508 in	2.5 in	0.315 in	0.197 in	1.142 in	0.11 lb
80389	Metric	7 mm	0.661 in	0.508 in	2.5 in	0.315 in	0.197 in	1.142 in	0.11 lb
80390	Metric	8 mm	0.661 in	0.508 in	2.5 in	0.315 in	0.197 in	1.142 in	0.13 lb
80391	Metric	9 mm	0.661 in	0.508 in	2.5 in	0.315 in	0.197 in	1.142 in	0.13 lb
80392	Metric	10 mm	0.661 in	0.571 in	2.5 in	0.335 in	0.201 in	1.142 in	0.13 lb
80393D	Metric	11 mm	0.661 in	0.622 in	2.5 in	0.335 in	0.236 in	1.142 in	0.14 lb
80394D	Metric	12 mm	0.661 in	0.654 in	2.5 in	0.335 in	0.260 in	1.142 in	0.14 lb
80395	Metric	13 mm	0.740 in	0.697 in	2.5 in	0.335 in	0.287 in	1.142 in	0.16 lb
80396	Metric	14 mm	0.768 in	0.768 in	2.5 in	0.335 in	0.350 in	1.142 in	0.16 lb
80397	Metric	15 mm	0.819 in	0.819 in	2.5 in	0.335 in	0.350 in	1.142 in	0.17 lb
80398	Metric	16 mm	0.866 in	0.866 in	2.5 in	0.335 in	0.398 in	1.142 in	0.17 lb
80399	Metric	17 mm	0.937 in	0.937 in	2.5 in	0.335 in	0.398 in	1.142 in	0.19 lb
80400	Metric	18 mm	0.937 in	0.937 in	2.5 in	0.335 in	0.421 in	1.142 in	0.24 lb
80401	Metric	19 mm	1.004 in	1.004 in	2.5 in	0.335 in	0.457 in	1.142 in	0.25 lb
80406	Metric	20 mm	1.016 in	1.063 in	2.5 in	0.335 in	0.480 in	1.142 in	0.25 lb
80407	Metric	21 mm	1.047 in	1.094 in	2.5 in	0.335 in	0.480 in	1.142 in	0.26 lb
80408	Metric	22 mm	1.114 in	1.161 in	2.5 in	0.335 in	0.520 in	1.142 in	0.27 lb
80409	Metric	24 mm	1.205 in	1.252 in	2.5 in	0.335 in	0.567 in	1.142 in	0.28 lb

### 3/8" Drive 12 Point Deep Length Sockets

- Off-corner loading design reduces fastener rounding
- Chamfered opening quickly guides fasteners into socket
- Hard stamped size markings
- Double line (SAE) and knurled (metric) ring help easily identify standard and metric sockets
- Bright, full polish chrome finish easily wipes clean and resists corrosion
- Meets or exceeds ASME specifications



Cat. No.	SAE/Metric	Fastener Size	Dim. A: Drive End	Dim. B: Wrench End	Dim. C: Overall Length	Dim. D: Bolt Clearance	Dim. E: Wrench Depth	Dim. F: Length to Shoulder	Product Weight
80509	SAE	1/4 in	0.661 in	0.394 in	2.5 in	0.217 in	0.157 in	1.142 in	0.11 lb
80510D	SAE	5/16 in	0.661 in	0.461 in	2.5 in	0.276 in	0.197 in	1.142 in	0.11 lb
80511	SAE	3/8 in	0.661 in	0.543 in	2.5 in	0.335 in	0.201 in	1.142 in	0.12 lb
80512	SAE	7/16 in	0.661 in	0.630 in	2.5 in	0.335 in	0.236 in	1.142 in	0.13 lb
80513	SAE	1/2 in	0.720 in	0.685 in	2.5 in	0.335 in	0.287 in	1.142 in	0.15 lb
80514	SAE	9/16 in	0.780 in	0.780 in	2.5 in	0.335 in	0.350 in	1.142 in	0.18 lb
80515D	SAE	5/8 in	0.866 in	0.866 in	2.5 in	0.335 in	0.398 in	1.142 in	0.24 lb
80516	SAE	11/16 in	0.937 in	0.937 in	2.5 in	0.335 in	0.398 in	1.142 in	0.29 lb
80517	SAE	3/4 in	1.016 in	1.016 in	2.5 in	0.335 in	0.457 in	1.142 in	0.33 lb
80518	SAE	13/16 in	1.094 in	1.094 in	2.5 in	0.335 in	0.480 in	1.142 in	0.40 lb
80519	SAE	7/8 in	1.173 in	1.173 in	2.5 in	0.335 in	0.520 in	1.142 in	0.44 lb
80594	SAE	15/16 in	1.205 in	1.252 in	2.5 in	0.335 in	0.567 in	1.142 in	0.46 lb
80595	SAE	1 in	1.272 in	1.319 in	2.5 in	0.335 in	0.567 in	1.142 in	0.52 lb
80520D	Metric	6 mm	0.661 in	0.394 in	2.5 in	0.217 in	0.157 in	1.142 in	0.11 lb
80521	Metric	7 mm	0.661 in	0.431 in	2.5 in	0.256 in	0.197 in	1.142 in	0.11 lb
80522	Metric	8 mm	0.661 in	0.472 in	2.5 in	0.276 in	0.197 in	1.142 in	0.13 lb
80523	Metric	9 mm	0.661 in	0.508 in	2.5 in	0.315 in	0.197 in	1.142 in	0.13 lb
80524	Metric	10 mm	0.661 in	0.571 in	2.5 in	0.335 in	0.201 in	1.142 in	0.13 lb
80525	Metric	11 mm	0.661 in	0.622 in	2.5 in	0.335 in	0.236 in	1.142 in	0.14 lb
80526	Metric	12 mm	0.661 in	0.654 in	2.5 in	0.335 in	0.260 in	1.142 in	0.14 lb
80527	Metric	13 mm	0.740 in	0.697 in	2.5 in	0.335 in	0.287 in	1.142 in	0.16 lb
80528	Metric	14 mm	0.768 in	0.768 in	2.5 in	0.335 in	0.350 in	1.142 in	0.16 lb
80529	Metric	15 mm	0.819 in	0.819 in	2.5 in	0.335 in	0.350 in	1.142 in	0.17 lb
80530	Metric	16 mm	0.866 in	0.866 in	2.5 in	0.335 in	0.398 in	1.142 in	0.17 lb
80531	Metric	17 mm	0.937 in	0.937 in	2.5 in	0.335 in	0.398 in	1.142 in	0.19 lb
80532	Metric	18 mm	0.937 in	0.937 in	2.5 in	0.335 in	0.421 in	1.142 in	0.24 lb
80533	Metric	19 mm	1.004 in	1.004 in	2.5 in	0.335 in	0.457 in	1.142 in	0.25 lb

### 3/8" Drive Spark Plug Sockets

- Off-corner loading design reduces fastener rounding
- Designed for use with a 3/8" square drive tool
- Bright, full polish chrome finish easily wipes clean and resists corrosion
- Meets or exceeds ASME specifications



Cat. No.	SAE/Metric	Drive Type	Fastener Size	Overall Length	Product Weight
3931D	SAE	6 Point	9/16 in	2.5 in	0.10 lb
80402	SAE	6 Point	5/8 in	2.5 in	0.22 lb
80403	SAE	6 Point	13/16 in	2.72 in	0.35 lb

### 3/8" Drive Universal Spark Plug Sockets

- Universal joint allows for greater access
- Off-corner loading design reduces fastener rounding
- Designed for use with a 3/8" square drive tool
- Bright, full polish chrome finish easily wipes clean and resists corrosion
- Meets or exceeds ASME specifications



Cat. No.	SAE/Metric	Drive Type	Fastener Size	Overall Length	Product Weight
80404	SAE	6 Point	5/8 in	2.5 in	0.24 lb
80405	SAE	6 Point	13/16 in	2.5 in	0.33 lb

### 3/8" Drive Swivel Magnetic Spark Plug Sockets

- Swivel design provides better access to hard to reach spark plugs
- Off-corner loading design reduces fastener rounding
- Magnetic insert holds plug for removal and installation
- Rubber insert protects spark plug and centers the socket
- Designed for use with a 3/8" square drive tool
- Bright, full polish chrome finish wipes easily clean to resist corrosion
- Meets or exceeds ASME specifications



Cat. No.	SAE/Metric	Drive Type	Fastener Size	Overall Length	Product Weight
3938D	SAE	6 Point	9/16 in	6 in	0.30 lb
3927D	SAE	6 Point	5/8 in	4 in	0.20 lb
3928D	SAE	6 Point	5/8 in	6 in	0.30 lb
80546	SAE	6 Point	5/8 in	6 in	0.43 lb
3929D	SAE	6 Point	5/8 in	11 in	0.44 lb
3930D	SAE	6 Point	13/16 in	6 in	0.30 lb

### 3/8" Drive 6 Point Flex Sockets

- Universal socket design allows for greater angled access to fasteners
- Off-corner loading design reduces fastener rounding
- Bright, full polish chrome finish easily wipes clean and resists corrosion
- Hard stamped size markings



Cat. No.	SAE/Metric	Fastener Size	Dim. A: Drive End	Dim. B: Wrench End	Dim. C: Overall Length	Dim. E: Wrench Depth	Product Weight
80343	SAE	3/8 in	0.748 in	0.571 in	1.732 in	0.220 in	0.11 lb
80344	SAE	7/16 in	0.748 in	0.610 in	1.811 in	0.270 in	0.12 lb
80345	SAE	1/2 in	0.748 in	0.748 in	1.85 in	0.350 in	0.13 lb
80346	SAE	9/16 in	0.748 in	0.787 in	1.89 in	0.320 in	0.13 lb
80347	SAE	5/8 in	0.748 in	0.866 in	1.89 in	0.400 in	0.14 lb
80348	SAE	11/16 in	0.748 in	0.957 in	1.89 in	0.400 in	0.16 lb
80349	SAE	3/4 in	0.748 in	1.016 in	2.008 in	0.450 in	0.16 lb
80333	Metric	10 mm	0.748 in	0.331 in	1.772 in	0.280 in	0.12 lb
80334	Metric	11 mm	0.748 in	0.337 in	1.772 in	0.300 in	0.12 lb
80335	Metric	12 mm	0.748 in	0.378 in	1.85 in	0.320 in	0.12 lb
80336	Metric	13 mm	0.748 in	0.425 in	1.89 in	0.290 in	0.13 lb
80337	Metric	14 mm	0.748 in	0.465 in	1.89 in	0.350 in	0.13 lb
80338	Metric	15 mm	0.748 in	0.500 in	1.89 in	0.370 in	0.13 lb
80339	Metric	16 mm	0.748 in	0.543 in	1.969 in	0.400 in	0.13 lb
80340	Metric	17 mm	0.748 in	0.598 in	1.969 in	0.400 in	0.16 lb
80341	Metric	18 mm	0.748 in	0.646 in	1.969 in	0.400 in	0.16 lb
80342	Metric	19 mm	0.748 in	0.677 in	1.969 in	0.450 in	0.16 lb



### 3/8" Drive Ratcheting Crowfoot Wrenches

- Allows access to fasteners in confined spaces where a wrench or socket will not fit
- Quickly ratchet nuts and bolts without removing the fastener from the wrench
- Size markings laser etched for easy identification
- Arrow stamped on the head clearly identifies the direction of rotation
- Bright, full polish chrome finish easily wipes clean and resists corrosion
- Meets or exceeds ASME requirements



Cat. No.	SAE/Metric	Fastener Size	End A Width	End A Thickness	End A Length	Product Weight
89120	SAE	3/8 in	0.909 in	0.224 in	1.378 in	0.04 lb
89121	SAE	7/16 in	0.988 in	0.252 in	1.417 in	0.05 lb
89122	SAE	1/2 in	1.134 in	0.319 in	1.575 in	0.09 lb
89123	SAE	9/16 in	1.244 in	0.327 in	1.654 in	0.10 lb
89124	SAE	5/8 in	1.35 in	0.346 in	1.772 in	0.12 lb
89125	SAE	11/16 in	1.476 in	0.362 in	1.89 in	0.14 lb
89126	SAE	3/4 in	1.602 in	0.374 in	2.047 in	0.19 lb
89127	SAE	13/16 in	1.803 in	0.425 in	2.205 in	0.24 lb
89128	SAE	7/8 in	1.866 in	0.449 in	2.283 in	0.29 lb
89129	SAE	15/16 in	1.992 in	0.465 in	2.362 in	0.32 lb
89130	SAE	1 in	2.087 in	0.476 in	2.441 in	0.32 lb
89140	Metric	10 mm	0.909 in	0.224 in	1.378 in	0.04 lb
89141	Metric	11 mm	0.988 in	0.252 in	1.417 in	0.05 lb
89142	Metric	12 mm	1.094 in	0.291 in	1.496 in	0.09 lb
89143	Metric	13 mm	1.134 in	0.319 in	1.575 in	0.10 lb
89144	Metric	14 mm	1.244 in	0.327 in	1.654 in	0.12 lb
89145	Metric	15 mm	1.331 in	0.327 in	1.693 in	0.14 lb
89146	Metric	16 mm	1.35 in	0.346 in	1.772 in	0.19 lb
89147	Metric	17 mm	1.476 in	0.362 in	1.89 in	0.24 lb
89148	Metric	18 mm	1.539 in	0.37 in	1.969 in	0.29 lb
89149	Metric	19 mm	1.602 in	0.374 in	2.047 in	0.32 lb

### 3/8" Drive Crowfoot Wrenches

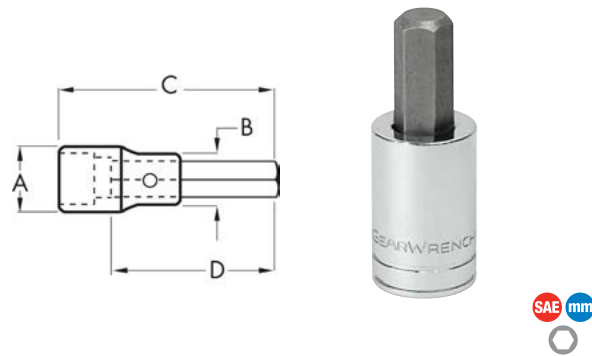
- Allows access to fasteners in confined spaces where a wrench or socket will not fit
- Size markings are stamped on head for easy identification
- Bright, full polish chrome finish easily wipes clean and resists corrosion



Cat. No.	SAE/Metric	Fastener Size	End A Width	End A Thickness	End B Width	End B Thickness	Overall Length	Product Weight
81603	SAE	3/8 in	0.885 in	.187 in	.731 in	.431 in	1.345 in	0.09 lb
81604	SAE	7/16 in	.963 in	.195 in	.728 in	.435 in	1.362 in	0.09 lb
81605	SAE	1/2 in	1.045 in	.215 in	.74 in	.436 in	1.44 in	0.09 lb
81606	SAE	9/16 in	1.2 in	.248 in	.73 in	.423 in	1.526 in	0.09 lb
81607	SAE	5/8 in	1.32 in	.29 in	.734 in	.415 in	1.656 in	0.13 lb
81608	SAE	11/16 in	1.44 in	.305 in	.735 in	.44 in	1.752 in	0.13 lb
81609	SAE	3/4 in	1.605 in	.312 in	.742 in	.445 in	1.883 in	0.15 lb
81610	SAE	13/16 in	1.794 in	.325 in	.887 in	.445 in	2.068 in	0.22 lb
81611D	SAE	7/8 in	1.865 in	.335 in	.899 in	.445 in	2.085 in	0.22 lb
81612D	SAE	15/16 in	1.928 in	.344 in	.901 in	.443 in	2.172 in	0.29 lb
81613	SAE	1 in	1.916 in	.345 in	.881 in	.44 in	2.148 in	0.29 lb
81614	Metric	10 mm	.885 in	.194 in	.729 in	.427 in	1.331 in	0.09 lb
81615	Metric	11 mm	.958 in	.197 in	.728 in	.436 in	1.372 in	0.09 lb
81616	Metric	12 mm	1.065 in	.2 in	.733 in	.439 in	1.442 in	0.09 lb
81617	Metric	13 mm	1.063 in	.221 in	.732 in	.438 in	1.447 in	0.09 lb
81618	Metric	14 mm	1.2 in	.224 in	.723 in	.424 in	1.547 in	0.09 lb
81619	Metric	15 mm	1.325 in	.275 in	.735 in	.414 in	1.653 in	0.12 lb
81620	Metric	16 mm	1.318 in	.3 in	.735 in	.412 in	1.658 in	0.12 lb
81621	Metric	17 mm	1.454 in	.299 in	.749 in	.432 in	1.776 in	0.12 lb
81622	Metric	18 mm	1.438 in	.295 in	.732 in	.428 in	1.775 in	0.13 lb
81623	Metric	19 mm	1.6 in	.314 in	.736 in	.446 in	1.9 in	0.16 lb

**3/8" Drive Hex Bit Sockets**

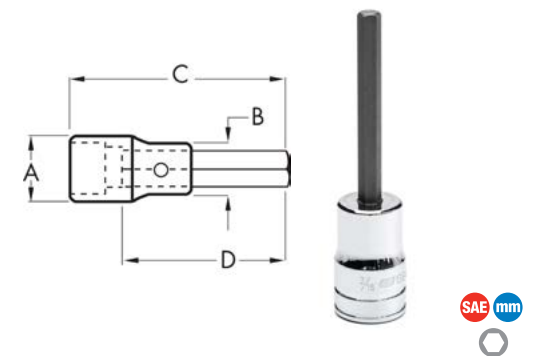
- Heat-treated socket base for durability
- S2 steel insert bits offer maximum strength
- Double line (SAE) and knurled (metric) ring help easily identify standard and metric sockets
- Hard stamped size markings
- Bright, full polish chrome finish easily wipes clean and resists corrosion
- Meets or exceeds ASME specifications



Cat. No.	SAE/Metric	Fastener Size	Dim. A: Drive End	Dim. B: Nose Diameter	Dim. C: Overall Length	Dim. D: Bit Length	Product Weight
80410	SAE	1/16 in	0.688 in	0.590 in	1.653 in	0.984 in	0.09 lb
80411	SAE	5/64 in	0.688 in	0.590 in	1.653 in	0.984 in	0.11 lb
80412D	SAE	3/32 in	0.688 in	0.590 in	1.653 in	0.984 in	0.13 lb
80413	SAE	7/64 in	0.688 in	0.590 in	1.653 in	0.984 in	0.13 lb
80414	SAE	1/8 in	0.688 in	0.590 in	1.653 in	0.984 in	0.13 lb
80415D	SAE	9/64 in	0.688 in	0.590 in	1.653 in	0.984 in	0.14 lb
80416	SAE	5/32 in	0.688 in	0.590 in	1.653 in	0.984 in	0.14 lb
80417	SAE	3/16 in	0.688 in	0.590 in	1.653 in	0.984 in	0.14 lb
80418	SAE	7/32 in	0.688 in	0.590 in	1.653 in	0.984 in	0.14 lb
80419	SAE	1/4 in	0.688 in	0.590 in	1.653 in	0.984 in	0.14 lb
80420	SAE	5/16 in	0.688 in	0.590 in	1.850 in	1.181 in	0.14 lb
80421	SAE	3/8 in	0.750 in	0.750 in	1.850 in	1.181 in	0.14 lb
80422	Metric	2 mm	0.688 in	0.590 in	1.653 in	0.984 in	0.15 lb
80423	Metric	2.5 mm	0.688 in	0.590 in	1.653 in	0.984 in	0.09 lb
80424	Metric	3 mm	0.688 in	0.590 in	1.653 in	0.984 in	0.11 lb
80425	Metric	4 mm	0.688 in	0.590 in	1.653 in	0.984 in	0.13 lb
80426	Metric	5 mm	0.688 in	0.590 in	1.653 in	0.984 in	0.13 lb
80427	Metric	6 mm	0.688 in	0.590 in	1.653 in	0.984 in	0.13 lb
80428D	Metric	7 mm	0.688 in	0.590 in	1.850 in	1.181 in	0.14 lb
80429	Metric	8 mm	0.688 in	0.590 in	1.850 in	1.181 in	0.14 lb
80430	Metric	9 mm	0.750 in	0.750 in	1.968 in	1.181 in	0.14 lb
80431	Metric	10 mm	0.750 in	0.750 in	1.968 in	1.181 in	0.14 lb
80432	Metric	11 mm	0.750 in	0.750 in	1.968 in	1.181 in	0.14 lb
80433	Metric	12 mm	0.750 in	0.750 in	1.968 in	1.181 in	0.14 lb

**3/8" Drive Mid Length Hex Bit Sockets**

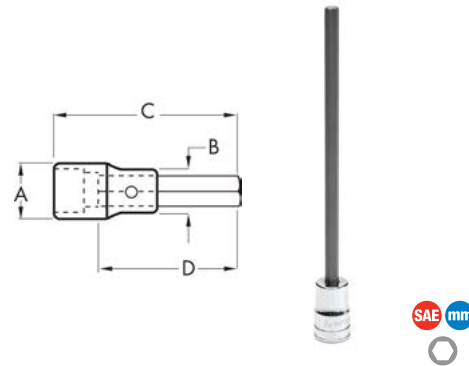
- Mid-length hex bit for additional access to hard-to-reach fasteners
- S2 steel insert bits offer maximum strength
- Heat-treated socket bases provide lasting durability
- Double line (SAE) and knurled (metric) ring help easily identify standard and metric sockets
- Hard stamped size markings
- Bright, full polish chrome finish easily wipes clean and resists corrosion
- Meets or exceeds ASME specifications



Cat. No.	SAE/Metric	Fastener Size	Dim. A: Drive End	Dim. B: Nose Diameter	Dim. C: Overall Length	Dim. D: Bit Length	Product Weight
82521	SAE	1/8 in	.67 in	.59 in	2.8 in	1.97 in	0.090 lb
82522	SAE	9/64 in	0.67 in	0.59 in	2.8 in	1.97 in	0.100 lb
82523	SAE	5/32 in	0.67 in	0.59 in	2.8 in	1.97 in	0.100 lb
82524	SAE	3/16 in	0.67 in	0.59 in	2.8 in	1.97 in	0.100 lb
82525	SAE	7/32 in	0.67 in	0.59 in	2.8 in	2.05 in	0.110 lb
82526	SAE	1/4 in	0.67 in	0.59 in	2.8 in	2.05 in	0.110 lb
82527	SAE	5/16 in	0.67 in	0.59 in	2.8 in	2.05 in	0.120 lb
82528	SAE	3/8 in	0.71 in	0.71 in	2.8 in	1.93 in	0.160 lb
82538	Metric	3 mm	0.67 in	0.59 in	2.8 in	1.97 in	0.090 lb
82539	Metric	4 mm	0.67 in	0.59 in	2.8 in	1.97 in	0.100 lb
82540	Metric	5 mm	0.67 in	0.59 in	2.8 in	1.97 in	0.100 lb
82541	Metric	6 mm	0.67 in	0.59 in	2.8 in	2.05 in	0.110 lb
82542	Metric	7 mm	0.67 in	0.59 in	2.8 in	2.05 in	0.120 lb
82543	Metric	8 mm	0.67 in	0.59 in	2.8 in	2.05 in	0.130 lb
82544	Metric	9 mm	0.71 in	0.71 in	2.8 in	1.93 in	0.160 lb
82545	Metric	10 mm	0.71 in	0.71 in	2.8 in	1.93 in	0.170 lb

### 3/8" Drive Long Length Hex Bit Sockets

- Long length hex bit for additional access to hard-to-reach fasteners
- S2 steel insert bits offer maximum strength
- Heat-treated socket bases provide lasting durability
- Double line (SAE) and knurled (metric) ring help easily identify standard and metric sockets
- Hard stamped size markings
- Bright, full polish chrome finish easily wipes clean and resists corrosion
- Meets or exceeds ASME specifications



Cat. No.	SAE/Metric	Fastener Size	Dim. A: Drive End	Dim. B: Nose Diameter	Dim. C: Overall Length	Dim. D: Bit Length	Product Weight
82530	SAE	1/8 in	0.67 in	0.59 in	6.14 in	5.31 in	0.130 lb
82531	SAE	5/32 in	0.67 in	0.59 in	6.14 in	5.31 in	0.130 lb
82532	SAE	3/16 in	0.67 in	0.59 in	6.14 in	5.31 in	0.130 lb
82533	SAE	7/32 in	0.67 in	0.59 in	6.14 in	5.39 in	0.140 lb
82534	SAE	1/4 in	0.67 in	0.59 in	6.14 in	5.39 in	0.160 lb
82535	SAE	5/16 in	0.67 in	0.59 in	6.14 in	5.39 in	0.210 lb
82536	SAE	3/8 in	0.71 in	0.71 in	6.14 in	5.28 in	0.280 lb
82547	Metric	4 mm	0.67 in	0.59 in	6.14 in	5.31 in	0.130 lb
82548	Metric	5 mm	0.67 in	0.59 in	6.14 in	5.31 in	0.140 lb
82549	Metric	6 mm	0.67 in	0.59 in	6.14 in	5.39 in	0.160 lb
82550	Metric	7 mm	0.67 in	0.59 in	6.14 in	5.39 in	0.180 lb
82551	Metric	8 mm	0.67 in	0.59 in	6.14 in	5.39 in	0.210 lb
82552	Metric	9 mm	0.71 in	0.71 in	6.14 in	5.28 in	0.260 lb
82553	Metric	10 mm	0.71 in	0.71 in	6.14 in	5.28 in	0.300 lb

### 3/8" Drive Ball End Hex Bit Sockets

- Heat-treated socket base for durability
- S2 steel insert bits offer maximum strength
- Double line (SAE) and knurled (metric) ring help easily identify standard and metric sockets
- Hard stamped size markings
- Bright, full polish chrome finish easily wipes clean and resists corrosion
- Meets or exceeds ASME specifications

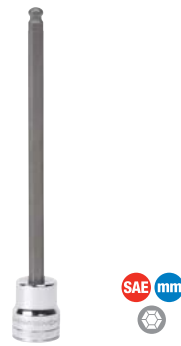


Cat. No.	SAE/Metric	Fastener Size	Dim. A: Drive End	Dim. B: Nose Diameter	Dim. C: Overall Length	Dim. D: Bit Length	Product Weight
80539	SAE	1/8 in	0.688 in	0.590 in	1.653 in	0.984 in	0.09 lb
80540	SAE	5/32 in	0.688 in	0.590 in	1.653 in	0.984 in	0.10 lb
80541	SAE	3/16 in	0.688 in	0.590 in	1.653 in	0.984 in	0.12 lb
80542	SAE	7/32 in	0.688 in	0.590 in	1.653 in	0.984 in	0.12 lb
80543	SAE	1/4 in	0.688 in	0.590 in	1.653 in	0.984 in	0.13 lb
80544	SAE	5/16 in	0.688 in	0.590 in	1.653 in	1.181 in	0.14 lb
80545	SAE	3/8 in	0.750 in	0.750 in	1.968 in	1.181 in	0.15 lb
82500	Metric	4 mm	0.688 in	0.590 in	1.654 in	0.984 in	0.09 lb
82501	Metric	5 mm	0.688 in	0.590 in	1.654 in	0.984 in	0.10 lb
82502	Metric	6 mm	0.688 in	0.590 in	1.654 in	0.984 in	0.12 lb
82503	Metric	7 mm	0.688 in	0.590 in	1.850 in	1.181 in	0.12 lb
82504	Metric	8 mm	0.688 in	0.590 in	1.850 in	1.181 in	0.13 lb
82505	Metric	9 mm	0.750 in	0.750 in	1.968 in	1.181 in	0.14 lb
82506	Metric	10 mm	0.750 in	0.750 in	1.968 in	1.181 in	0.15 lb



### 3/8" Drive Long Ball End Hex Bit Sockets

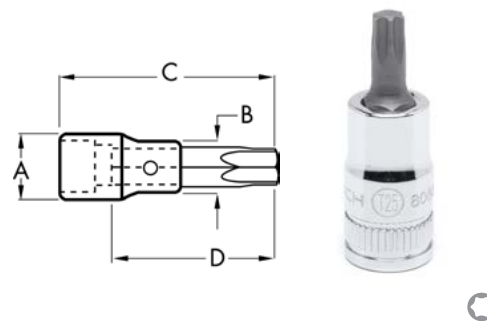
- Heat-treated socket base for durability
- S2 steel insert bits offer maximum strength
- Double line (SAE) and knurled (metric) ring help easily identify standard and metric sockets
- Hard stamped size markings
- Bright, full polish chrome finish easily wipes clean and resists corrosion
- Meets or exceeds ASME specifications



Cat. No.	SAE/Metric	Fastener Size	Dim. A: Drive End	Dim. B: Nose Diameter	Dim. C: Overall Length	Dim. D: Bit Length	Product Weight
80434	SAE	1/8 in	0.688 in	0.590 in	5.984 in	5.196 in	0.13 lb
80435	SAE	5/32 in	0.688 in	0.590 in	5.984 in	5.196 in	0.14 lb
80436D	SAE	3/16 in	0.688 in	0.590 in	5.984 in	5.196 in	0.14 lb
80437	SAE	7/32 in	0.688 in	0.590 in	5.984 in	5.275 in	0.14 lb
80438	SAE	1/4 in	0.688 in	0.590 in	5.984 in	5.393 in	0.15 lb
80439	SAE	5/16 in	0.688 in	0.590 in	5.984 in	5.393 in	0.16 lb
80440	SAE	3/8 in	0.750 in	0.590 in	5.984 in	5.275 in	0.17 lb
80441	Metric	3 mm	0.688 in	0.590 in	5.984 in	5.196 in	0.13 lb
80442	Metric	4 mm	0.688 in	0.590 in	5.984 in	5.196 in	0.14 lb
80443	Metric	5 mm	0.688 in	0.590 in	5.984 in	5.196 in	0.14 lb
80444	Metric	6 mm	0.688 in	0.590 in	5.984 in	5.314 in	0.14 lb
80445	Metric	7 mm	0.688 in	0.590 in	5.984 in	5.393 in	0.15 lb
80446	Metric	8 mm	0.688 in	0.590 in	5.984 in	5.393 in	0.16 lb
80447	Metric	9 mm	0.750 in	0.750 in	5.984 in	5.275 in	0.17 lb
80448	Metric	10 mm	0.750 in	0.750 in	5.984 in	5.275 in	0.18 lb

### 3/8" Drive Stubby Torx® Bit Sockets

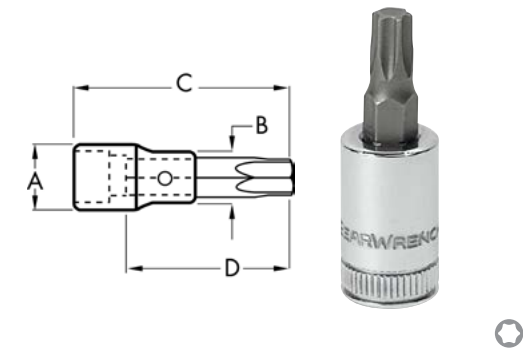
- Reduced overall bit length provides better access in tight spaces
- Heat-treated socket base for durability
- S2 steel insert bits offer maximum strength
- Hard stamped size markings
- Bright, full polish chrome finish easily wipes clean and resists corrosion
- Meets or exceeds ASME specifications



Cat. No.	Fastener Size	Dim. A: Drive End	Dim. B: Nose Diameter	Dim. C: Overall Length	Dim. D: Bit Length	Product Weight
80890	T40	0.700 in	0.618 in	1.56 in	0.866 in	0.08 lb
80891	T45	0.700 in	0.618 in	1.56 in	0.866 in	0.08 lb
80892	T47	0.700 in	0.618 in	1.56 in	0.866 in	0.08 lb
80893	T50	0.700 in	0.618 in	1.56 in	0.866 in	0.08 lb

### 3/8" Drive Torx® Bit Sockets

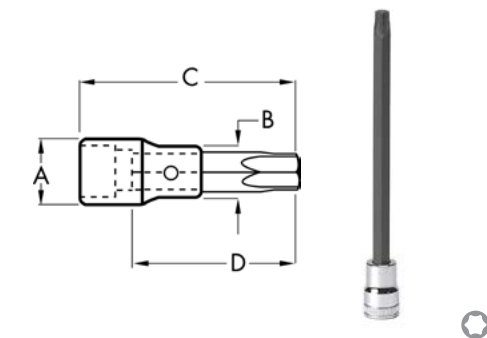
- Heat-treated socket base for durability
- S2 steel insert bits offer maximum strength
- Double line (SAE) and knurled (metric) ring help easily identify standard and metric sockets
- Hard stamped size markings
- Bright, full polish chrome finish easily wipes clean and resists corrosion
- Meets or exceeds ASME specifications



Cat. No.	Fastener Size	Dim. A: Drive End	Dim. B: Nose Diameter	Dim. C: Overall Length	Dim. D: Bit Length	Product Weight
80534	T15	0.688 in	0.590 in	1.85 in	0.984 in	0.12 lb
80535	T20	0.688 in	0.590 in	1.85 in	0.984 in	0.12 lb
80536	T25	0.688 in	0.590 in	1.85 in	0.984 in	0.14 lb
80537	T27	0.688 in	0.590 in	1.85 in	0.984 in	0.15 lb
80538	T30	0.688 in	0.590 in	1.85 in	0.984 in	0.15 lb
80451	T40	0.688 in	0.590 in	1.85 in	1.181 in	0.18 lb
80452	T45	0.688 in	0.590 in	1.85 in	1.181 in	0.18 lb
80453	T47	0.688 in	0.590 in	1.85 in	1.181 in	0.18 lb
80454	T50	0.688 in	0.590 in	1.85 in	1.181 in	0.20 lb
80455	T55	0.688 in	0.590 in	1.85 in	1.181 in	0.20 lb

### 3/8" Drive Long Torx® Bit Sockets

- Heat-treated socket base for durability
- S2 steel insert bits offer maximum strength
- Double line (SAE) and knurled (metric) ring help easily identify standard and metric sockets
- Hard stamped size markings
- Bright, full polish chrome finish easily wipes clean and resists corrosion
- Meets or exceeds ASME specifications



Cat. No.	Fastener Size	Dim. A: Drive End	Dim. B: Nose Diameter	Dim. C: Overall Length	Dim. D: Bolt Clearance	Product Weight
82517	T40	0.688 in	0.590 in	5.984 in	5.196 in	0.45 lb
82518	T45	0.688 in	0.590 in	5.984 in	5.196 in	0.48 lb
82519	T50	0.688 in	0.590 in	5.984 in	5.196 in	0.52 lb

### 3/8" Drive Stubby Torx® Bit Drivers

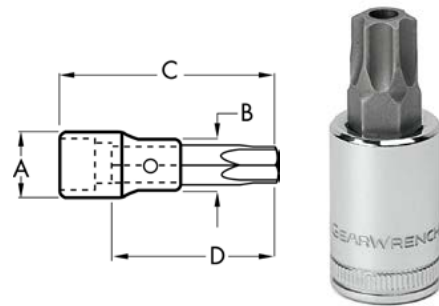
- Short overall length provides better access in tight spaces
- S2 steel for strength and durability
- Hard stamped size markings
- Satin finish for corrosion protection and simple cleaning
- Compact design provides additional access compared to standard bit sockets
- Includes socket rail for storage and organization



Cat. No.	Fastener Size	Dim. A: Drive End	Dim. C: Overall Length	Dim. D: Bit Length	Product Weight
81191	T45	0.701 in	1.44 in	-	0.07 lb
81192	T47	0.701 in	1.44 in	-	0.07 lb
81193	T50	0.701 in	1.44 in	.312 in	0.07 lb

### 3/8" Drive Tamper Proof Torx® Bit Sockets

- Heat-treated socket base for durability
- S2 steel insert bits offer maximum strength
- Double line (SAE) and knurled (metric) ring help easily identify standard and metric sockets
- Hard stamped size markings
- Bright, full polish chrome finish easily wipes clean and resists corrosion
- Meets or exceeds ASME specifications



Cat. No.	Fastener Size	Dim. A: Drive End	Dim. B: Nose Diameter	Dim. C: Overall Length	Dim. D: Bit Length	Product Weight
80456D	T40	0.688 in	0.590 in	1.85 in	1.181 in	0.35 lb
80457	T45	0.688 in	0.590 in	1.85 in	1.181 in	0.39 lb
80458	T50	0.688 in	0.590 in	1.85 in	1.181 in	0.45 lb
80459	T55	0.750 in	0.750 in	1.85 in	1.181 in	0.45 lb

### 3/8" Drive Stubby Universal Tamper Proof Torx® Bit Sockets

- For use with tamper proof security fasteners
- Universal joint allows for greater access
- Bits made of S2 steel for strength and durability
- Optimized overall length provides even more access in tight spaces
- Hard stamped size markings
- Bright, full polish chrome finish easily wipes clean and resists corrosion



Cat. No.	Fastener Size	Dim. A: Drive End	Dim. B: Nose Diameter	Dim. C: Overall Length	Exposed Bit Length	Product Weight
81047	T40	0.740 in	0.740 in	2.48 in	0.551 in	0.17 lb
81048	T45	0.740 in	0.740 in	2.48 in	0.551 in	0.17 lb
81049	T50	0.740 in	0.740 in	2.48 in	0.551 in	0.17 lb
81050	T55	0.740 in	0.740 in	2.48 in	0.551 in	0.17 lb

### 3/8" Drive External Torx® Sockets

- For use with external torx fasteners
- Black oxide finish is corrosion resistant
- Heat treated socket for durability
- Hard stamped size markings
- For use with manual drive tools only



Cat. No.	Fastener Size	Dim. A: Drive End	Dim. B: Nose Diameter	Dim. C: Overall Length	Dim. D: Bolt Clearance	Product Weight
80460	E10	0.750 in	0.750 in	1.24 in	0.196 in	0.12 lb
80461	E12	0.750 in	0.750 in	1.24 in	0.314 in	0.14 lb
80462	E14	0.750 in	0.750 in	1.24 in	0.314 in	0.16 lb
80463	E16	0.750 in	0.750 in	1.24 in	0.314 in	0.18 lb

### 3/8" Drive Universal External Torx® Sockets

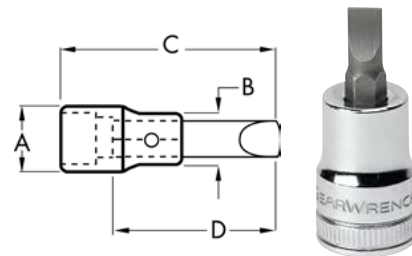
- Universal joint allows for greater access
- Hard stamped size markings
- Bright, full polish chrome finish easily wipes clean and resists corrosion



Cat. No.	Fastener Size	Dim. A: Drive End	Dim. C: Overall Length	Product Weight
80976	E4	0.740 in	2.05 in	0.13 lb
80977	E5	0.740 in	2.05 in	0.13 lb
80978	E6	0.740 in	2.05 in	0.13 lb
80979	E7	0.740 in	2.05 in	0.13 lb
80980	E8	0.740 in	2.05 in	0.13 lb
80981	E10	0.740 in	2.05 in	0.14 lb
80982	E12	0.740 in	2.05 in	0.14 lb
80983	E14	0.740 in	2.05 in	0.14 lb
80984	E16	0.740 in	2.05 in	0.14 lb

### 3/8" Drive Bit Sockets

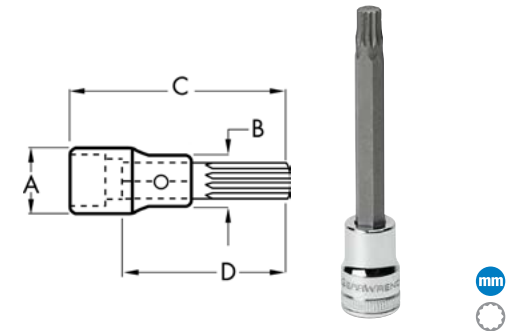
- Heat-treated socket base for durability
- S2 steel insert bits offer maximum strength
- Double line (SAE) and knurled (metric) ring help easily identify standard and metric sockets
- Hard stamped size markings
- Bright, full polish chrome finish easily wipes clean and resists corrosion
- Meets or exceeds ASME specifications



Cat. No.	Drive Type	Fastener Size	Dim. A: Drive End	Dim. B: Nose Diameter	Dim. C: Overall Length	Dim. D: Bit Length	Product Weight
80464	Slotted	4 mm	0.688 in	0.590 in	1.653 in	0.984 in	0.09 lb
80465	Slotted	5 mm	0.688 in	0.590 in	1.653 in	0.984 in	0.10 lb
80466	Slotted	6 mm	0.688 in	0.590 in	1.653 in	0.984 in	0.10 lb
80467	Phillips®	#1	0.688 in	0.590 in	1.653 in	0.984 in	0.09 lb
80468	Phillips®	#2	0.688 in	0.590 in	1.653 in	0.984 in	0.09 lb
80469	Phillips®	#3	0.688 in	0.590 in	1.653 in	0.984 in	0.10 lb
80470	Pozidriv®	#2	0.688 in	0.590 in	1.653 in	0.984 in	0.09 lb

### 3/8" Drive Triple Square Bit Sockets

- Heat-treated socket base for durability
- S2 steel insert bits offer maximum strength
- Double line (SAE) and knurled (metric) ring help easily identify standard and metric sockets
- Hard stamped size markings
- Bright, full polish chrome finish easily wipes clean and resists corrosion
- Meets or exceeds ASME specifications



Cat. No.	Fastener Size	Dim. A: Drive End	Dim. B: Nose Diameter	Dim. C: Overall Length	Dim. D: Bit Length	Product Weight
80449	6 mm	0.690 in	0.313 in	3.15 in	2.48 in	0.15 lb
80736	8 mm	0.700 in	0.618 in	1.89 in	1.181 in	0.09 lb
80450	8 mm	0.690 in	0.313 in	3.66 in	3.66 in	0.15 lb
80868	8 mm	0.700 in	0.618 in	3.94 in	3.228 in	0.14 lb

### 3/8" Drive Stubby Triple Square Bit Drivers

- Short overall length provides better access in tight spaces
- S2 steel for strength and durability
- Hard stamped size markings
- Satin finish for corrosion protection and simple cleaning
- Compact design provides additional access compared to standard bit sockets



Cat. No.	SAE/Metric	Fastener Size	Dim. A: Drive End	Dim. C: Overall Length	Dim. D: Bit Length	Exposed Bit Length	Product Weight
81093	Metric	8 mm	0.701 in	0.98 in	.346 in	.346 in	0.07 lb
81094	Metric	10 mm	0.701 in	1.44 in	.346 in	.346 in	0.07 lb
81095	Metric	12 mm	0.701 in	1.44 in	.401 in	.401 in	0.07 lb
81096	Metric	14 mm	0.701 in	1.44 in	.427 in	.427 in	0.09 lb
81097	Metric	16 mm	0.701 in	1.44 in	.553 in	.553 in	0.10 lb
81098	Metric	18 mm	0.701 in	1.44 in	.56 in	.56 in	0.11 lb



### 49 Pc. 1/2" Drive 120XP™ 6 Point SAE/Metric Standard and Deep Mechanics Tool Set

- 120XP™ ratchets have two double stacked 60 tooth pawls (120 positions) providing a 3° swing arc so you can turn fasteners in tighter confines
- Double-stacked pawls alternately engage the 60 tooth gear, providing exceptional strength
- Sockets feature off-corner loading design reduces fastener rounding
- Extension bars features a knurled grip, providing a non slip surface
- Bright, full polish chrome finish easily wipes clean and resists corrosion
- Hard stamped size markings
- Includes blow mold case for storage and organization
- Meets or exceeds ASME specifications



**120XP**

Cat. No.	Included Storage	Product Weight
80700P	Blow Mold Case	10.05 lb



Cat. No.	Description	Cat. No.	Description
81304P	1/2" Drive 120XP™ Teardrop Ratchet 11"	80631	1/2" Drive 6 Point Standard Metric Socket 19mm
81340	1/2" Drive Extension 3"	80632	1/2" Drive 6 Point Standard Metric Socket 20mm
81341	1/2" Drive Extension 5"	80633	1/2" Drive 6 Point Standard Metric Socket 21mm
80600D	1/2" Drive Universal Joint	80634	1/2" Drive 6 Point Standard Metric Socket 22mm
80602	1/2" Drive 6 Point Standard SAE Socket 7/16"	80635	1/2" Drive 6 Point Standard Metric Socket 23mm
80603	1/2" Drive 6 Point Standard SAE Socket 1/2"	80636D	1/2" Drive 6 Point Standard Metric Socket 24mm
80604	1/2" Drive 6 Point Standard SAE Socket 9/16"	80614	1/2" Drive 6 Point Deep SAE Socket 1/2"
80605	1/2" Drive 6 Point Standard SAE Socket 5/8"	80615	1/2" Drive 6 Point Deep SAE Socket 9/16"
80606	1/2" Drive 6 Point Standard SAE Socket 11/16"	80616	1/2" Drive 6 Point Deep SAE Socket 5/8"
80607D	1/2" Drive 6 Point Standard SAE Socket 3/4"	80617	1/2" Drive 6 Point Deep SAE Socket 11/16"
80608	1/2" Drive 6 Point Standard SAE Socket 13/16"	80618	1/2" Drive 6 Point Deep SAE Socket 3/4"
80609	1/2" Drive 6 Point Standard SAE Socket 7/8"	80619	1/2" Drive 6 Point Deep SAE Socket 13/16"
80610D	1/2" Drive 6 Point Standard SAE Socket 15/16"	80620	1/2" Drive 6 Point Deep SAE Socket 7/8"
80611	1/2" Drive 6 Point Standard SAE Socket 1"	80621	1/2" Drive 6 Point Deep SAE Socket 15/16"
80612	1/2" Drive 6 Point Standard SAE Socket 1-1/16"	80637	1/2" Drive 6 Point Deep Metric Socket 10mm
80613	1/2" Drive 6 Point Standard SAE Socket 1-1/8"	80638	1/2" Drive 6 Point Deep Metric Socket 11mm
80622	1/2" Drive 6 Point Standard Metric Socket 10mm	80639	1/2" Drive 6 Point Deep Metric Socket 12mm
80623	1/2" Drive 6 Point Standard Metric Socket 11mm	80640	1/2" Drive 6 Point Deep Metric Socket 13mm
80624	1/2" Drive 6 Point Standard Metric Socket 12mm	80641	1/2" Drive 6 Point Deep Metric Socket 14mm
80625	1/2" Drive 6 Point Standard Metric Socket 13mm	80642	1/2" Drive 6 Point Deep Metric Socket 15mm
80626D	1/2" Drive 6 Point Standard Metric Socket 14mm	80643	1/2" Drive 6 Point Deep Metric Socket 16mm
80627	1/2" Drive 6 Point Standard Metric Socket 15mm	80644	1/2" Drive 6 Point Deep Metric Socket 17mm
80628	1/2" Drive 6 Point Standard Metric Socket 16mm	80645	1/2" Drive 6 Point Deep Metric Socket 18mm
80629	1/2" Drive 6 Point Standard Metric Socket 17mm	80646D	1/2" Drive 6 Point Deep Metric Socket 19mm
80630	1/2" Drive 6 Point Standard Metric Socket 18mm		

### 49 Pc. 1/2" Drive 6 Point SAE/Metric Standard and Deep Mechanics Tool Set

- 84 tooth teardrop ratchets, with flush-mounted on/off levers and a full polish chrome finish
- Full polish chrome sockets with large hard-stamped size markings
- Knurled full polish chrome extensions
- Sockets feature off-corner loading design to reduce fastener rounding
- Includes blow mold case for storage and organization
- Meets or exceeds ASME specifications



Cat. No.	Included Storage	Product Weight
80700D	Blow Mold Case	9.09 lb



Cat. No.	Description	Cat. No.	Description
81304F	1/2" Drive 84 Tooth Teardrop Ratchet 11"	80624	1/2" Drive 6 Point Standard Metric Socket 12mm
81340	1/2" Drive Extension 3"	80625	1/2" Drive 6 Point Standard Metric Socket 13mm
81341	1/2" Drive Extension 5"	80626D	1/2" Drive 6 Point Standard Metric Socket 14mm
80602	1/2" Drive 6 Point Standard SAE Socket 7/16"	80627	1/2" Drive 6 Point Standard Metric Socket 15mm
80603	1/2" Drive 6 Point Standard SAE Socket 1/2"	80628	1/2" Drive 6 Point Standard Metric Socket 16mm
80604	1/2" Drive 6 Point Standard SAE Socket 9/16"	80629	1/2" Drive 6 Point Standard Metric Socket 17mm
80605	1/2" Drive 6 Point Standard SAE Socket 5/8"	80630	1/2" Drive 6 Point Standard Metric Socket 18mm
80606	1/2" Drive 6 Point Standard SAE Socket 11/16"	80631	1/2" Drive 6 Point Standard Metric Socket 19mm
80607D	1/2" Drive 6 Point Standard SAE Socket 3/4"	80632	1/2" Drive 6 Point Standard Metric Socket 20mm
80608	1/2" Drive 6 Point Standard SAE Socket 13/16"	80633	1/2" Drive 6 Point Standard Metric Socket 21mm
80609	1/2" Drive 6 Point Standard SAE Socket 7/8"	80634	1/2" Drive 6 Point Standard Metric Socket 22mm
80610D	1/2" Drive 6 Point Standard SAE Socket 15/16"	80635	1/2" Drive 6 Point Standard Metric Socket 23mm
80611	1/2" Drive 6 Point Standard SAE Socket 1"	80636D	1/2" Drive 6 Point Standard Metric Socket 24mm
80612	1/2" Drive 6 Point Standard SAE Socket 1-1/16"	80637	1/2" Drive 6 Point Deep Metric Socket 10mm
80613	1/2" Drive 6 Point Standard SAE Socket 1-1/8"	80638	1/2" Drive 6 Point Deep Metric Socket 11mm
80614	1/2" Drive 6 Point Deep SAE Socket 1/2"	80639	1/2" Drive 6 Point Deep Metric Socket 12mm
80615	1/2" Drive 6 Point Deep SAE Socket 9/16"	80640	1/2" Drive 6 Point Deep Metric Socket 13mm
80616	1/2" Drive 6 Point Deep SAE Socket 5/8"	80641	1/2" Drive 6 Point Deep Metric Socket 14mm
80617	1/2" Drive 6 Point Deep SAE Socket 11/16"	80642	1/2" Drive 6 Point Deep Metric Socket 15mm
80618	1/2" Drive 6 Point Deep SAE Socket 3/4"	80643	1/2" Drive 6 Point Deep Metric Socket 16mm
80619	1/2" Drive 6 Point Deep SAE Socket 13/16"	80644	1/2" Drive 6 Point Deep Metric Socket 17mm
80620	1/2" Drive 6 Point Deep SAE Socket 7/8"	80645	1/2" Drive 6 Point Deep Metric Socket 18mm
80621	1/2" Drive 6 Point Deep SAE Socket 15/16"	80646D	1/2" Drive 6 Point Deep Metric Socket 19mm
80622	1/2" Drive 6 Point Standard Metric Socket 10mm	80600D	1/2" Drive Universal Joint
80623	1/2" Drive 6 Point Standard Metric Socket 11mm		

### 49 Pc. 1/2" Drive 12 Point SAE/Metric Standard and Deep Mechanics Tool Set

- 84 tooth teardrop ratchets, with flush-mounted on/off levers and a full polish chrome finish
- Stubby and standard length ratchets for better access in all areas
- Full polish chrome sockets with large hard-stamped size markings
- Knurled full polish chrome extensions
- Sockets feature off-corner loading design to reduce fastener rounding
- Includes blow mold case for storage and organization
- Meets or exceeds ASME specifications



Cat. No.	Included Storage	Product Weight
80701	Blow Mold Case	9.09 lb

Cat. No.	Description	Cat. No.	Description
81304F	1/2" Drive 84 Tooth Teardrop Ratchet 11"	80747	1/2" Drive 12 Point Standard Metric Socket 12mm
81340	1/2" Drive Extension 3"	80748D	1/2" Drive 12 Point Standard Metric Socket 13mm
81341	1/2" Drive Extension 5"	80749	1/2" Drive 12 Point Standard Metric Socket 14mm
80760	1/2" Drive 12 Point Standard SAE Socket 7/16"	80750	1/2" Drive 12 Point Standard Metric Socket 15mm
80761	1/2" Drive 12 Point Standard SAE Socket 1/2"	80751	1/2" Drive 12 Point Standard Metric Socket 16mm
80762	1/2" Drive 12 Point Standard SAE Socket 9/16"	80752	1/2" Drive 12 Point Standard Metric Socket 17mm
80763	1/2" Drive 12 Point Standard SAE Socket 5/8"	80753	1/2" Drive 12 Point Standard Metric Socket 18mm
80764	1/2" Drive 12 Point Standard SAE Socket 11/16"	80754	1/2" Drive 12 Point Standard Metric Socket 19mm
80765	1/2" Drive 12 Point Standard SAE Socket 3/4"	80755D	1/2" Drive 12 Point Standard Metric Socket 20mm
80766	1/2" Drive 12 Point Standard SAE Socket 13/16"	80756	1/2" Drive 12 Point Standard Metric Socket 21mm
80767	1/2" Drive 12 Point Standard SAE Socket 7/8"	80757	1/2" Drive 12 Point Standard Metric Socket 22mm
80768	1/2" Drive 12 Point Standard SAE Socket 15/16"	80758	1/2" Drive 12 Point Standard Metric Socket 23mm
80769	1/2" Drive 12 Point Standard SAE Socket 1"	80759	1/2" Drive 12 Point Standard Metric Socket 24mm
80770	1/2" Drive 12 Point Standard SAE Socket 1-1/16"	80781	1/2" Drive 12 Point Deep Metric Socket 10mm
80771	1/2" Drive 12 Point Standard SAE Socket 1-1/8"	80782	1/2" Drive 12 Point Deep Metric Socket 11mm
80773	1/2" Drive 12 Point Deep SAE Socket 1/2"	80783	1/2" Drive 12 Point Deep Metric Socket 12mm
80774	1/2" Drive 12 Point Deep SAE Socket 9/16"	80784	1/2" Drive 12 Point Deep Metric Socket 13mm
80775	1/2" Drive 12 Point Deep SAE Socket 5/8"	80785	1/2" Drive 12 Point Deep Metric Socket 14mm
80776	1/2" Drive 12 Point Deep SAE Socket 11/16"	80786	1/2" Drive 12 Point Deep Metric Socket 15mm
80777D	1/2" Drive 12 Point Deep SAE Socket 3/4"	80787	1/2" Drive 12 Point Deep Metric Socket 16mm
80778	1/2" Drive 12 Point Deep SAE Socket 13/16"	80788	1/2" Drive 12 Point Deep Metric Socket 17mm
80779	1/2" Drive 12 Point Deep SAE Socket 7/8"	80789	1/2" Drive 12 Point Deep Metric Socket 18mm
80780	1/2" Drive 12 Point Deep SAE Socket 15/16"	80790	1/2" Drive 12 Point Deep Metric Socket 19mm
80745	1/2" Drive 12 Point Standard Metric Socket 10mm	80600D	1/2" Drive Universal Joint
80746	1/2" Drive 12 Point Standard Metric Socket 11mm		

### 33 Pc. 1/2" Drive 6 Point SAE Standard and Deep Mechanics Tool Set

- 84 tooth teardrop ratchets, with flush-mounted on/off levers and a full polish chrome finish
- Full polish chrome sockets with large hard-stamped size markings
- Knurled full polish chrome extensions
- Sockets feature off-corner loading design to reduce fastener rounding
- Includes blow mold case for storage and organization
- Meets or exceeds ASME specifications



Cat. No.	Included Storage	Product Weight
80715	Blow Mold Case	8.55 lb

Cat. No.	Description	Cat. No.	Description
81304F	1/2" Drive 84 Tooth Teardrop Ratchet 11"	80679	1/2" Drive 6 Point Standard SAE Socket 1-1/2"
81307	1/2" Drive Breaker Bar 15"	80684	1/2" Drive 6 Point Deep SAE Socket 7/16"
81340	1/2" Drive Extension 3"	80614	1/2" Drive 6 Point Deep SAE Socket 1/2"
81341	1/2" Drive Extension 5"	80615	1/2" Drive 6 Point Deep SAE Socket 9/16"
80602	1/2" Drive 6 Point Standard SAE Socket 7/16"	80616	1/2" Drive 6 Point Deep SAE Socket 5/8"
80603	1/2" Drive 6 Point Standard SAE Socket 1/2"	80617	1/2" Drive 6 Point Deep SAE Socket 11/16"
80604	1/2" Drive 6 Point Standard SAE Socket 9/16"	80618	1/2" Drive 6 Point Deep SAE Socket 3/4"
80605	1/2" Drive 6 Point Standard SAE Socket 5/8"	80619	1/2" Drive 6 Point Deep SAE Socket 13/16"
80606	1/2" Drive 6 Point Standard SAE Socket 11/16"	80620	1/2" Drive 6 Point Deep SAE Socket 7/8"
80607D	1/2" Drive 6 Point Standard SAE Socket 3/4"	80621	1/2" Drive 6 Point Deep SAE Socket 15/16"
80608	1/2" Drive 6 Point Standard SAE Socket 13/16"	80674	1/2" Drive 6 Point Deep SAE Socket 1"
80609	1/2" Drive 6 Point Standard SAE Socket 7/8"	80675	1/2" Drive 6 Point Deep SAE Socket 1-1/16"
80610D	1/2" Drive 6 Point Standard SAE Socket 15/16"	80676	1/2" Drive 6 Point Deep SAE Socket 1-1/8"
80611	1/2" Drive 6 Point Standard SAE Socket 1"	80685	1/2" Drive 6 Point Deep SAE Socket 1-1/4"
80612	1/2" Drive 6 Point Standard SAE Socket 1-1/16"	80686	1/2" Drive 6 Point Deep SAE Socket 1-1/2"
80613	1/2" Drive 6 Point Standard SAE Socket 1-1/8"	80600D	1/2" Drive Universal Joint
80678	1/2" Drive 6 Point Standard SAE Socket 1-1/4"		

### 33 Pc. 1/2" Drive 12 Point SAE Standard and Deep Mechanics Tool Set

- 84 tooth teardrop ratchets, with flush-mounted on/off levers and a full polish chrome finish
- Full polish chrome sockets with large hard-stamped size markings
- Knurled full polish chrome extensions
- Sockets feature off-corner loading design to reduce fastener rounding
- Includes blow mold case for storage and organization
- Meets or exceeds ASME specifications



Cat. No.	Included Storage	Product Weight
80714D	Blow Mold Case	6.69 lb

Cat. No.	Description	Cat. No.	Description
81304F	1/2" Drive 84 Tooth Teardrop Ratchet 11"	80794	1/2" Drive 12 Point Standard SAE Socket 1-1/4"
81307	1/2" Drive Breaker Bar 15"	80680	1/2" Drive 12 Point Standard SAE Socket 1-1/2"
81340	1/2" Drive Extension 3"	80772	1/2" Drive 12 Point Deep SAE Socket 7/16"
81341	1/2" Drive Extension 5"	80773	1/2" Drive 12 Point Deep SAE Socket 1/2"
80600D	1/2" Drive Universal Joint	80774	1/2" Drive 12 Point Deep SAE Socket 9/16"
80760	1/2" Drive 12 Point Standard SAE Socket 7/16"	80775	1/2" Drive 12 Point Deep SAE Socket 5/8"
80761	1/2" Drive 12 Point Standard SAE Socket 1/2"	80776	1/2" Drive 12 Point Deep SAE Socket 11/16"
80762	1/2" Drive 12 Point Standard SAE Socket 9/16"	80777D	1/2" Drive 12 Point Deep SAE Socket 3/4"
80763	1/2" Drive 12 Point Standard SAE Socket 5/8"	80778	1/2" Drive 12 Point Deep SAE Socket 13/16"
80764	1/2" Drive 12 Point Standard SAE Socket 11/16"	80779	1/2" Drive 12 Point Deep SAE Socket 7/8"
80765	1/2" Drive 12 Point Standard SAE Socket 3/4"	80780	1/2" Drive 12 Point Deep SAE Socket 15/16"
80766	1/2" Drive 12 Point Standard SAE Socket 13/16"	80795	1/2" Drive 12 Point Deep SAE Socket 1"
80767	1/2" Drive 12 Point Standard SAE Socket 7/8"	80796	1/2" Drive 12 Point Deep SAE Socket 1-1/16"
80768	1/2" Drive 12 Point Standard SAE Socket 15/16"	80797	1/2" Drive 12 Point Deep SAE Socket 1-1/8"
80769	1/2" Drive 12 Point Standard SAE Socket 1"	80798	1/2" Drive 12 Point Deep SAE Socket 1-1/4"
80770	1/2" Drive 12 Point Standard SAE Socket 1-1/16"	80687	1/2" Drive 12 Point Deep SAE Socket 1-1/2"
80771	1/2" Drive 12 Point Standard SAE Socket 1-1/8"		

### 28 Pc. 1/2" Drive 6 and 12 Point Metric Standard and Deep Mechanics Tool Set

- 84 tooth teardrop ratchets, with flush-mounted on/off levers and a full polish chrome finish
- Full polish chrome sockets with large hard-stamped size markings
- Knurled full polish chrome extensions
- Sockets feature off-corner loading design to reduce fastener rounding
- Includes blow mold case for storage and organization
- Meets or exceeds ASME specifications



Cat. No.	Included Storage	Product Weight
80709	Blow Mold Case	6.50 lb

Cat. No.	Description	Cat. No.	Description
81304F	1/2" Drive 84 Tooth Teardrop Ratchet 11"	80756	1/2" Drive 12 Point Standard Metric Socket 21mm
81341	1/2" Drive Extension 5"	80757	1/2" Drive 12 Point Standard Metric Socket 22mm
81343	1/2" Drive Extension 15"	80758	1/2" Drive 12 Point Standard Metric Socket 23mm
80745	1/2" Drive 12 Point Standard Metric Socket 10mm	80759	1/2" Drive 12 Point Standard Metric Socket 24mm
80746	1/2" Drive 12 Point Standard Metric Socket 11mm	80637	1/2" Drive 6 Point Deep Metric Socket 10mm
80747	1/2" Drive 12 Point Standard Metric Socket 12mm	80638	1/2" Drive 6 Point Deep Metric Socket 11mm
80748D	1/2" Drive 12 Point Standard Metric Socket 13mm	80639	1/2" Drive 6 Point Deep Metric Socket 12mm
80749	1/2" Drive 12 Point Standard Metric Socket 14mm	80640	1/2" Drive 6 Point Deep Metric Socket 13mm
80750	1/2" Drive 12 Point Standard Metric Socket 15mm	80641	1/2" Drive 6 Point Deep Metric Socket 14mm
80751	1/2" Drive 12 Point Standard Metric Socket 16mm	80642	1/2" Drive 6 Point Deep Metric Socket 15mm
80752	1/2" Drive 12 Point Standard Metric Socket 17mm	80643	1/2" Drive 6 Point Deep Metric Socket 16mm
80753	1/2" Drive 12 Point Standard Metric Socket 18mm	80644	1/2" Drive 6 Point Deep Metric Socket 17mm
80754	1/2" Drive 12 Point Standard Metric Socket 19mm	80645	1/2" Drive 6 Point Deep Metric Socket 18mm
80755D	1/2" Drive 12 Point Standard Metric Socket 20mm	80646D	1/2" Drive 6 Point Deep Metric Socket 19mm



### 23 Pc. 1/2" Drive 6 Point SAE Standard and Deep Mechanics Tool Set

- 84 tooth teardrop ratchets, with flush-mounted on/off levers and a full polish chrome finish
- Full polish chrome sockets with large hard-stamped size markings
- Knurled full polish chrome extensions
- Sockets feature off-corner loading design to reduce fastener rounding
- Includes blow mold case for storage and organization
- Meets or exceeds ASME specifications



Cat. No.	Included Storage	Product Weight
80707	Blow Mold Case	5.50 lb



Cat. No.	Description	Cat. No.	Description
81304F	1/2" Drive 84 Tooth Teardrop Ratchet 11"	80611	1/2" Drive 6 Point Standard SAE Socket 1"
81341	1/2" Drive Extension 5"	80612	1/2" Drive 6 Point Standard SAE Socket 1-1/16"
81343	1/2" Drive Extension 15"	80613	1/2" Drive 6 Point Standard SAE Socket 1-1/8"
80602	1/2" Drive 6 Point Standard SAE Socket 7/16"	80614	1/2" Drive 6 Point Deep SAE Socket 1/2"
80603	1/2" Drive 6 Point Standard SAE Socket 1/2"	80615	1/2" Drive 6 Point Deep SAE Socket 9/16"
80604	1/2" Drive 6 Point Standard SAE Socket 9/16"	80616	1/2" Drive 6 Point Deep SAE Socket 5/8"
80605	1/2" Drive 6 Point Standard SAE Socket 5/8"	80617	1/2" Drive 6 Point Deep SAE Socket 11/16"
80606	1/2" Drive 6 Point Standard SAE Socket 11/16"	80618	1/2" Drive 6 Point Deep SAE Socket 3/4"
80607D	1/2" Drive 6 Point Standard SAE Socket 3/4"	80619	1/2" Drive 6 Point Deep SAE Socket 13/16"
80608	1/2" Drive 6 Point Standard SAE Socket 13/16"	80620	1/2" Drive 6 Point Deep SAE Socket 7/8"
80609	1/2" Drive 6 Point Standard SAE Socket 7/8"	80621	1/2" Drive 6 Point Deep SAE Socket 15/16"
80610D	1/2" Drive 6 Point Standard SAE Socket 15/16"		

### 19 Pc. 1/2" Drive 6 Point SAE Standard Mechanics Tool Set

- 84 tooth ratchet mechanism offers a 4.3° swing arc for easy access
- Better access to tight spaces from a teardrop low-profile head and flush-mounted on/off switch
- Sockets feature off-corner loading technology designed to reduce fastener rounding
- Hard stamped size markings
- Bright, full polish chrome finish easily wipes clean and resists corrosion
- Includes blow mold case for storage and organization
- Meets or exceeds ASME specifications



Cat. No.	Included Storage	Product Weight
80791	Blow Mold Case	11.757 lb



Cat. No.	Description	Cat. No.	Description
81304F	1/2" Drive 84 Tooth Teardrop Ratchet 11"	80607D	1/2" Drive 6 Point Standard SAE Socket 3/4"
81307	1/2" Drive Breaker Bar 15"	80608	1/2" Drive 6 Point Standard SAE Socket 13/16"
81341	1/2" Drive Extension 5"	80609	1/2" Drive 6 Point Standard SAE Socket 7/8"
80600D	1/2" Drive Universal Joint	80610D	1/2" Drive 6 Point Standard SAE Socket 15/16"
80648	1/2" Drive 6 Point Standard SAE Socket 3/8"	80611	1/2" Drive 6 Point Standard SAE Socket 1"
80602	1/2" Drive 6 Point Standard SAE Socket 7/16"	80612	1/2" Drive 6 Point Standard SAE Socket 1-1/16"
80603	1/2" Drive 6 Point Standard SAE Socket 1/2"	80613	1/2" Drive 6 Point Standard SAE Socket 1-1/8"
80604	1/2" Drive 6 Point Standard SAE Socket 9/16"	80677	1/2" Drive 6 Point Standard SAE Socket 1-3/16"
80605	1/2" Drive 6 Point Standard SAE Socket 5/8"	80678	1/2" Drive 6 Point Standard SAE Socket 1-1/4"
80606	1/2" Drive 6 Point Standard SAE Socket 11/16"		

### 19 Pc. 1/2" Drive 12 Point SAE Mechanics Tool Set

- 84 tooth ratchet mechanism offers a 4.3° swing arc for easy access
- Better access to tight spaces from a teardrop low-profile head and flush-mounted on/off switch
- Sockets feature off-corner loading technology designed to reduce fastener rounding
- Hard stamped size markings
- Bright, full polish chrome finish easily wipes clean and resists corrosion
- Includes blow mold case for storage and organization
- Meets or exceeds ASME specifications



Cat. No.	Included Storage	Product Weight
80792	Blow Mold Case	11.757 lb

Cat. No.	Description	Cat. No.	Description
81304F	1/2" Drive 84 Tooth Teardrop Ratchet 11"	80765	1/2" Drive 12 Point Standard SAE Socket 3/4"
81307	1/2" Drive Breaker Bar 15"	80766	1/2" Drive 12 Point Standard SAE Socket 13/16"
81341	1/2" Drive Extension 5"	80767	1/2" Drive 12 Point Standard SAE Socket 7/8"
80600D	1/2" Drive Universal Joint	80768	1/2" Drive 12 Point Standard SAE Socket 15/16"
80689	1/2" Drive 12 Point Standard SAE Socket 3/8"	80769	1/2" Drive 12 Point Standard SAE Socket 1"
80760	1/2" Drive 12 Point Standard SAE Socket 7/16"	80770	1/2" Drive 12 Point Standard SAE Socket 1-1/16"
80761	1/2" Drive 12 Point Standard SAE Socket 1/2"	80771	1/2" Drive 12 Point Standard SAE Socket 1-1/8"
80762	1/2" Drive 12 Point Standard SAE Socket 9/16"	80793	1/2" Drive 12 Point Standard SAE Socket 1-3/16"
80763	1/2" Drive 12 Point Standard SAE Socket 5/8"	80794	1/2" Drive 12 Point Standard SAE Socket 1-1/4"
80764	1/2" Drive 12 Point Standard SAE Socket 11/16"		

### 15 Pc. 1/2" Drive 6 Point SAE Mechanics Tool Set

- 84 tooth teardrop ratchets, with flush-mounted on/off levers and a full polish chrome finish
- Full polish chrome sockets with large hard-stamped size markings
- Knurled full polish chrome extensions
- Sockets feature off-corner loading design to reduce fastener rounding
- Includes blow mold case for storage and organization
- Meets or exceeds ASME specifications



Cat. No.	Included Storage	Product Weight
80706	Blow Mold Case	5.80 lb

Cat. No.	Description	Cat. No.	Description
81304F	1/2" Drive 84 Tooth Teardrop Ratchet 11"	80607D	1/2" Drive 6 Point Standard SAE Socket 3/4"
81341	1/2" Drive Extension 5"	80608	1/2" Drive 6 Point Standard SAE Socket 13/16"
81343	1/2" Drive Extension 15"	80609	1/2" Drive 6 Point Standard SAE Socket 7/8"
80602	1/2" Drive 6 Point Standard SAE Socket 7/16"	80610D	1/2" Drive 6 Point Standard SAE Socket 15/16"
80603	1/2" Drive 6 Point Standard SAE Socket 1/2"	80611	1/2" Drive 6 Point Standard SAE Socket 1"
80604	1/2" Drive 6 Point Standard SAE Socket 9/16"	80612	1/2" Drive 6 Point Standard SAE Socket 1-1/16"
80605	1/2" Drive 6 Point Standard SAE Socket 5/8"	80613	1/2" Drive 6 Point Standard SAE Socket 1-1/8"
80606	1/2" Drive 6 Point Standard SAE Socket 11/16"		

### 18 Pc. 1/2" Drive 6 Point Metric Mechanics Tool Set

- 84 tooth teardrop ratchets, with flush-mounted on/off levers and a full polish chrome finish
- Full polish chrome sockets with large hard-stamped size markings
- Knurled full polish chrome extensions
- Sockets feature off-corner loading design to reduce fastener rounding
- Includes blow mold case for storage and organization
- Meets or exceeds ASME specifications



Cat. No.	Included Storage	Product Weight
80708	Blow Mold Case	7.97 lb

Cat. No.	Description	Cat. No.	Description
81304F	1/2" Drive 84 Tooth Teardrop Ratchet 11"	80628	1/2" Drive 6 Point Standard Metric Socket 16mm
81341	1/2" Drive Extension 5"	80629	1/2" Drive 6 Point Standard Metric Socket 17mm
81343	1/2" Drive Extension 15"	80630	1/2" Drive 6 Point Standard Metric Socket 18mm
80622	1/2" Drive 6 Point Standard Metric Socket 10mm	80631	1/2" Drive 6 Point Standard Metric Socket 19mm
80623	1/2" Drive 6 Point Standard Metric Socket 11mm	80632	1/2" Drive 6 Point Standard Metric Socket 20mm
80624	1/2" Drive 6 Point Standard Metric Socket 12mm	80633	1/2" Drive 6 Point Standard Metric Socket 21mm
80625	1/2" Drive 6 Point Standard Metric Socket 13mm	80634	1/2" Drive 6 Point Standard Metric Socket 22mm
80626D	1/2" Drive 6 Point Standard Metric Socket 14mm	80635	1/2" Drive 6 Point Standard Metric Socket 23mm
80627	1/2" Drive 6 Point Standard Metric Socket 15mm	80636D	1/2" Drive 6 Point Standard Metric Socket 24mm

### 27 Pc. 1/2" Drive 6 Point SAE Standard and Deep Socket Set

- Off-corner loading design reduces fastener rounding
- Chamfered opening quickly guides fasteners into socket
- Hard stamped size markings
- Double line (SAE) and knurled (metric) ring help easily identify standard and metric sockets
- Bright, full polish chrome finish easily wipes clean and resists corrosion
- Meets or exceeds ASME specifications



Cat. No.	Included Storage	Product Weight
80729	None	12.31 lb

Cat. No.	Description	Cat. No.	Description
80602	1/2" Drive 6 Point Standard SAE Socket 7/16"	80614	1/2" Drive 6 Point Deep SAE Socket 1/2"
80603	1/2" Drive 6 Point Standard SAE Socket 1/2"	80615	1/2" Drive 6 Point Deep SAE Socket 9/16"
80604	1/2" Drive 6 Point Standard SAE Socket 9/16"	80616	1/2" Drive 6 Point Deep SAE Socket 5/8"
80605	1/2" Drive 6 Point Standard SAE Socket 5/8"	80617	1/2" Drive 6 Point Deep SAE Socket 11/16"
80606	1/2" Drive 6 Point Standard SAE Socket 11/16"	80618	1/2" Drive 6 Point Deep SAE Socket 3/4"
80607D	1/2" Drive 6 Point Standard SAE Socket 3/4"	80619	1/2" Drive 6 Point Deep SAE Socket 13/16"
80608	1/2" Drive 6 Point Standard SAE Socket 13/16"	80620	1/2" Drive 6 Point Deep SAE Socket 7/8"
80609	1/2" Drive 6 Point Standard SAE Socket 7/8"	80621	1/2" Drive 6 Point Deep SAE Socket 15/16"
80610D	1/2" Drive 6 Point Standard SAE Socket 15/16"	80674	1/2" Drive 6 Point Deep SAE Socket 1"
80611	1/2" Drive 6 Point Standard SAE Socket 1"	80675	1/2" Drive 6 Point Deep SAE Socket 1-1/16"
80612	1/2" Drive 6 Point Standard SAE Socket 1-1/16"	80676	1/2" Drive 6 Point Deep SAE Socket 1-1/8"
80613	1/2" Drive 6 Point Standard SAE Socket 1-1/8"	80685	1/2" Drive 6 Point Deep SAE Socket 1-1/4"
80678	1/2" Drive 6 Point Standard SAE Socket 1-1/4"	80686	1/2" Drive 6 Point Deep SAE Socket 1-1/2"
80679	1/2" Drive 6 Point Standard SAE Socket 1-1/2"		

### 37 Pc. 1/2" Drive 12 Point Metric Standard and Deep Socket Set

- Off-corner loading design reduces fastener rounding
- Chamfered opening quickly guides fasteners into socket
- Hard stamped size markings
- Double line (SAE) and knurled (metric) ring help easily identify standard and metric sockets
- Bright, full polish chrome finish easily wipes clean and resists corrosion
- Meets or exceeds ASME specifications



Cat. No.	Included Storage	Product Weight
80730	None	13.80 lb

Cat. No.	Description	Cat. No.	Description
80806	1/2" Drive 12 Point Standard Metric Socket 9mm	80682	1/2" Drive 12 Point Standard Metric Socket 28mm
80745	1/2" Drive 12 Point Standard Metric Socket 10mm	80683	1/2" Drive 12 Point Standard Metric Socket 29mm
80746	1/2" Drive 12 Point Standard Metric Socket 11mm	80813	1/2" Drive 12 Point Standard Metric Socket 30mm
80747	1/2" Drive 12 Point Standard Metric Socket 12mm	80814D	1/2" Drive 12 Point Standard Metric Socket 32mm
80748D	1/2" Drive 12 Point Standard Metric Socket 13mm	80815D	1/2" Drive 12 Point Standard Metric Socket 36mm
80749	1/2" Drive 12 Point Standard Metric Socket 14mm	80785	1/2" Drive 12 Point Deep Metric Socket 14mm
80750	1/2" Drive 12 Point Standard Metric Socket 15mm	80786	1/2" Drive 12 Point Deep Metric Socket 15mm
80751	1/2" Drive 12 Point Standard Metric Socket 16mm	80787	1/2" Drive 12 Point Deep Metric Socket 16mm
80752	1/2" Drive 12 Point Standard Metric Socket 17mm	80788	1/2" Drive 12 Point Deep Metric Socket 17mm
80753	1/2" Drive 12 Point Standard Metric Socket 18mm	80789	1/2" Drive 12 Point Deep Metric Socket 18mm
80754	1/2" Drive 12 Point Standard Metric Socket 19mm	80790	1/2" Drive 12 Point Deep Metric Socket 19mm
80755D	1/2" Drive 12 Point Standard Metric Socket 20mm	80817D	1/2" Drive 12 Point Deep Metric Socket 20mm
80756	1/2" Drive 12 Point Standard Metric Socket 21mm	80818	1/2" Drive 12 Point Deep Metric Socket 21mm
80757	1/2" Drive 12 Point Standard Metric Socket 22mm	80820	1/2" Drive 12 Point Deep Metric Socket 22mm
80758	1/2" Drive 12 Point Standard Metric Socket 23mm	80822	1/2" Drive 12 Point Deep Metric Socket 24mm
80759	1/2" Drive 12 Point Standard Metric Socket 24mm	80824	1/2" Drive 12 Point Deep Metric Socket 27mm
80811	1/2" Drive 12 Point Standard Metric Socket 25mm	80826	1/2" Drive 12 Point Deep Metric Socket 30mm
80681	1/2" Drive 12 Point Standard Metric Socket 26mm	80827	1/2" Drive 12 Point Deep Metric Socket 32mm
80812	1/2" Drive 12 Point Standard Metric Socket 27mm		



### 15 Pc. 1/2" Drive 12 Point SAE Socket Set

- Off-corner loading design reduces fastener rounding
- Chamfered opening quickly guides fasteners into socket
- Hard stamped size markings
- Double line (SAE) and knurled (metric) ring help easily identify standard and metric sockets
- Bright, full polish chrome finish easily wipes clean and resists corrosion
- Meets or exceeds ASME specifications



Cat. No.	Included Storage	Product Weight
80731	Tray	4.98 lb



Cat. No.	Description	Cat. No.	Description
80760	1/2" Drive 12 Point Standard SAE Socket 7/16"	80768	1/2" Drive 12 Point Standard SAE Socket 15/16"
80761	1/2" Drive 12 Point Standard SAE Socket 1/2"	80769	1/2" Drive 12 Point Standard SAE Socket 1"
80762	1/2" Drive 12 Point Standard SAE Socket 9/16"	80770	1/2" Drive 12 Point Standard SAE Socket 1-1/16"
80763	1/2" Drive 12 Point Standard SAE Socket 5/8"	80771	1/2" Drive 12 Point Standard SAE Socket 1-1/8"
80764	1/2" Drive 12 Point Standard SAE Socket 11/16"	80793	1/2" Drive 12 Point Standard SAE Socket 1-3/16"
80765	1/2" Drive 12 Point Standard SAE Socket 3/4"	80794	1/2" Drive 12 Point Standard SAE Socket 1-1/4"
80766	1/2" Drive 12 Point Standard SAE Socket 13/16"	80680	1/2" Drive 12 Point Standard SAE Socket 1-1/2"
80767	1/2" Drive 12 Point Standard SAE Socket 7/8"		

### 11 Pc. 1/2" Drive 6 Point SAE Socket Set

- Off-corner loading design reduces fastener rounding
- Chamfered opening quickly guides fasteners into socket
- Hard stamped size markings
- Double line (SAE) and knurled (metric) ring help easily identify standard and metric sockets
- Bright, full polish chrome finish easily wipes clean and resists corrosion
- Includes socket rail for storage and organization
- Meets or exceeds ASME specifications



Cat. No.	Included Storage	Product Weight	Shelf Pack Qty.
80703	Socket Rail	2.87 lb	5



Cat. No.	Description	Cat. No.	Description
80603	1/2" Drive 6 Point Standard SAE Socket 1/2"	80609	1/2" Drive 6 Point Standard SAE Socket 7/8"
80604	1/2" Drive 6 Point Standard SAE Socket 9/16"	80610D	1/2" Drive 6 Point Standard SAE Socket 15/16"
80605	1/2" Drive 6 Point Standard SAE Socket 5/8"	80611	1/2" Drive 6 Point Standard SAE Socket 1"
80606	1/2" Drive 6 Point Standard SAE Socket 11/16"	80612	1/2" Drive 6 Point Standard SAE Socket 1-1/16"
80607D	1/2" Drive 6 Point Standard SAE Socket 3/4"	80613	1/2" Drive 6 Point Standard SAE Socket 1-1/8"
80608	1/2" Drive 6 Point Standard SAE Socket 13/16"		

### 11 Pc. 1/2" Drive 12 Point SAE Socket Set

- Off-corner loading design reduces fastener rounding
- Chamfered opening quickly guides fasteners into socket
- Hard stamped size markings
- Double line (SAE) and knurled (metric) ring help easily identify standard and metric sockets
- Bright, full polish chrome finish easily wipes clean and resists corrosion
- Includes socket rail for storage and organization
- Meets or exceeds ASME specifications



Cat. No.	Included Storage	Product Weight
80711	Socket Rail	2.86 lb



Cat. No.	Description	Cat. No.	Description
80761	1/2" Drive 12 Point Standard SAE Socket 1/2"	80767	1/2" Drive 12 Point Standard SAE Socket 7/8"
80762	1/2" Drive 12 Point Standard SAE Socket 9/16"	80768	1/2" Drive 12 Point Standard SAE Socket 15/16"
80763	1/2" Drive 12 Point Standard SAE Socket 5/8"	80769	1/2" Drive 12 Point Standard SAE Socket 1"
80764	1/2" Drive 12 Point Standard SAE Socket 11/16"	80770	1/2" Drive 12 Point Standard SAE Socket 1-1/16"
80765	1/2" Drive 12 Point Standard SAE Socket 3/4"	80771	1/2" Drive 12 Point Standard SAE Socket 1-1/8"
80766	1/2" Drive 12 Point Standard SAE Socket 13/16"		

### 14 Pc. 1/2" Drive 6 Point SAE Deep Socket Set

- Off-corner loading design reduces fastener rounding
- Chamfered opening quickly guides fasteners into socket
- Hard stamped size markings
- Double line (SAE) and knurled (metric) ring help easily identify standard and metric sockets
- Bright, full polish chrome finish easily wipes clean and resists corrosion
- Meets or exceeds ASME specifications



Cat. No.	Included Storage	Product Weight
80733	Tray	8.74 lb



Cat. No.	Description	Cat. No.	Description
80684	1/2" Drive 6 Point Deep SAE Socket 7/16"	80620	1/2" Drive 6 Point Deep SAE Socket 7/8"
80614	1/2" Drive 6 Point Deep SAE Socket 1/2"	80621	1/2" Drive 6 Point Deep SAE Socket 15/16"
80615	1/2" Drive 6 Point Deep SAE Socket 9/16"	80674	1/2" Drive 6 Point Deep SAE Socket 1"
80616	1/2" Drive 6 Point Deep SAE Socket 5/8"	80675	1/2" Drive 6 Point Deep SAE Socket 1-1/16"
80617	1/2" Drive 6 Point Deep SAE Socket 11/16"	80676	1/2" Drive 6 Point Deep SAE Socket 1-1/8"
80618	1/2" Drive 6 Point Deep SAE Socket 3/4"	80685	1/2" Drive 6 Point Deep SAE Socket 1-1/4"
80619	1/2" Drive 6 Point Deep SAE Socket 13/16"	80686	1/2" Drive 6 Point Deep SAE Socket 1-1/2"

### 14 Pc. 1/2" Drive 12 Point SAE Deep Socket Set

- Off-corner loading design reduces fastener rounding
- Chamfered opening quickly guides fasteners into socket
- Hard stamped size markings
- Double line (SAE) and knurled (metric) ring help easily identify standard and metric sockets
- Bright, full polish chrome finish easily wipes clean and resists corrosion
- Meets or exceeds ASME specifications



Cat. No.	Included Storage	Product Weight
80732	Tray	8.74 lb



Cat. No.	Description	Cat. No.	Description
80772	1/2" Drive 12 Point Deep SAE Socket 7/16"	80779	1/2" Drive 12 Point Deep SAE Socket 7/8"
80773	1/2" Drive 12 Point Deep SAE Socket 1/2"	80780	1/2" Drive 12 Point Deep SAE Socket 15/16"
80774	1/2" Drive 12 Point Deep SAE Socket 9/16"	80795	1/2" Drive 12 Point Deep SAE Socket 1"
80775	1/2" Drive 12 Point Deep SAE Socket 5/8"	80796	1/2" Drive 12 Point Deep SAE Socket 1-1/16"
80776	1/2" Drive 12 Point Deep SAE Socket 11/16"	80797	1/2" Drive 12 Point Deep SAE Socket 1-1/8"
80777D	1/2" Drive 12 Point Deep SAE Socket 3/4"	80798	1/2" Drive 12 Point Deep SAE Socket 1-1/4"
80778	1/2" Drive 12 Point Deep SAE Socket 13/16"	80687	1/2" Drive 12 Point Deep SAE Socket 1-1/2"

### 8 Pc. 1/2" Drive 6 Point SAE Deep Socket Set

- Off-corner loading design reduces fastener rounding
- Chamfered opening quickly guides fasteners into socket
- Hard stamped size markings
- Double line (SAE) and knurled (metric) ring help easily identify standard and metric sockets
- Bright, full polish chrome finish easily wipes clean and resists corrosion
- Includes socket rail for storage and organization
- Meets or exceeds ASME specifications



Cat. No.	Included Storage	Product Weight
80705	Socket Rail	2.87 lb



Cat. No.	Description	Cat. No.	Description
80614	1/2" Drive 6 Point Deep SAE Socket 1/2"	80618	1/2" Drive 6 Point Deep SAE Socket 3/4"
80615	1/2" Drive 6 Point Deep SAE Socket 9/16"	80619	1/2" Drive 6 Point Deep SAE Socket 13/16"
80616	1/2" Drive 6 Point Deep SAE Socket 5/8"	80620	1/2" Drive 6 Point Deep SAE Socket 7/8"
80617	1/2" Drive 6 Point Deep SAE Socket 11/16"	80621	1/2" Drive 6 Point Deep SAE Socket 15/16"

### 8 Pc. 1/2" Drive 12 Point SAE Deep Socket Set

- Off-corner loading design reduces fastener rounding
- Chamfered opening quickly guides fasteners into socket
- Hard stamped size markings
- Double line (SAE) and knurled (metric) ring help easily identify standard and metric sockets
- Bright, full polish chrome finish easily wipes clean and resists corrosion
- Includes socket rail for storage and organization
- Meets or exceeds ASME specifications



Cat. No.	Included Storage	Product Weight
80713	Socket Rail	2.86 lb



Cat. No.	Description	Cat. No.	Description
80773	1/2" Drive 12 Point Deep SAE Socket 1/2"	80777D	1/2" Drive 12 Point Deep SAE Socket 3/4"
80774	1/2" Drive 12 Point Deep SAE Socket 9/16"	80778	1/2" Drive 12 Point Deep SAE Socket 13/16"
80775	1/2" Drive 12 Point Deep SAE Socket 5/8"	80779	1/2" Drive 12 Point Deep SAE Socket 7/8"
80776	1/2" Drive 12 Point Deep SAE Socket 11/16"	80780	1/2" Drive 12 Point Deep SAE Socket 15/16"

### 13 Pc. 1/2" Drive 6 Point Metric Socket Set

- Off-corner loading design reduces fastener rounding
- Chamfered opening quickly guides fasteners into socket
- Hard stamped size markings
- Double line (SAE) and knurled (metric) ring help easily identify standard and metric sockets
- Bright, full polish chrome finish easily wipes clean and resists corrosion
- Includes socket rail for storage and organization
- Meets or exceeds ASME specifications



Cat. No.	Included Storage	Product Weight
80702	Blow Mold Case	2.65 lb



Cat. No.	Description	Cat. No.	Description
80624	1/2" Drive 6 Point Standard Metric Socket 12mm	80631	1/2" Drive 6 Point Standard Metric Socket 19mm
80625	1/2" Drive 6 Point Standard Metric Socket 13mm	80632	1/2" Drive 6 Point Standard Metric Socket 20mm
80626D	1/2" Drive 6 Point Standard Metric Socket 14mm	80633	1/2" Drive 6 Point Standard Metric Socket 21mm
80627	1/2" Drive 6 Point Standard Metric Socket 15mm	80634	1/2" Drive 6 Point Standard Metric Socket 22mm
80628	1/2" Drive 6 Point Standard Metric Socket 16mm	80635	1/2" Drive 6 Point Standard Metric Socket 23mm
80629	1/2" Drive 6 Point Standard Metric Socket 17mm	80636D	1/2" Drive 6 Point Standard Metric Socket 24mm
80630	1/2" Drive 6 Point Standard Metric Socket 18mm		

### 13 Pc. 1/2" Drive 12 Point Metric Socket Set

- Off-corner loading design reduces fastener rounding
- Chamfered opening quickly guides fasteners into socket
- Hard stamped size markings
- Double line (SAE) and knurled (metric) ring help easily identify standard and metric sockets
- Bright, full polish chrome finish easily wipes clean and resists corrosion
- Includes socket rail for storage and organization
- Meets or exceeds ASME specifications



Cat. No.	Included Storage	Product Weight
80710D	Socket Rail	2.55 lb



Cat. No.	Description	Cat. No.	Description
80747	1/2" Drive 12 Point Standard Metric Socket 12mm	80754	1/2" Drive 12 Point Standard Metric Socket 19mm
80748D	1/2" Drive 12 Point Standard Metric Socket 13mm	80755D	1/2" Drive 12 Point Standard Metric Socket 20mm
80749	1/2" Drive 12 Point Standard Metric Socket 14mm	80756	1/2" Drive 12 Point Standard Metric Socket 21mm
80750	1/2" Drive 12 Point Standard Metric Socket 15mm	80757	1/2" Drive 12 Point Standard Metric Socket 22mm
80751	1/2" Drive 12 Point Standard Metric Socket 16mm	80758	1/2" Drive 12 Point Standard Metric Socket 23mm
80752	1/2" Drive 12 Point Standard Metric Socket 17mm	80759	1/2" Drive 12 Point Standard Metric Socket 24mm
80753	1/2" Drive 12 Point Standard Metric Socket 18mm		

### 10 Pc. 1/2" Drive 6 Point Metric Deep Socket Set

- Off-corner loading design reduces fastener rounding
- Chamfered opening quickly guides fasteners into socket
- Hard stamped size markings
- Double line (SAE) and knurled (metric) ring help easily identify standard and metric sockets
- Bright, full polish chrome finish easily wipes clean and resists corrosion
- Includes socket rail for storage and organization
- Meets or exceeds ASME specifications



Cat. No.	Included Storage	Product Weight
80704	Socket Rail	3.09 lb



Cat. No.	Description	Cat. No.	Description
80637	1/2" Drive 6 Point Deep Metric Socket 10mm	80642	1/2" Drive 6 Point Deep Metric Socket 15mm
80638	1/2" Drive 6 Point Deep Metric Socket 11mm	80643	1/2" Drive 6 Point Deep Metric Socket 16mm
80639	1/2" Drive 6 Point Deep Metric Socket 12mm	80644	1/2" Drive 6 Point Deep Metric Socket 17mm
80640	1/2" Drive 6 Point Deep Metric Socket 13mm	80645	1/2" Drive 6 Point Deep Metric Socket 18mm
80641	1/2" Drive 6 Point Deep Metric Socket 14mm	80646D	1/2" Drive 6 Point Deep Metric Socket 19mm

### 10 Pc. 1/2" Drive 12 Point Metric Deep Socket Set

- Off-corner loading design reduces fastener rounding
- Chamfered opening quickly guides fasteners into socket
- Hard stamped size markings
- Double line (SAE) and knurled (metric) ring help easily identify standard and metric sockets
- Bright, full polish chrome finish easily wipes clean and resists corrosion
- Includes socket rail for storage and organization
- Meets or exceeds ASME specifications



Cat. No.	Included Storage	Product Weight
80712	Socket Rail	3.11 lb



Cat. No.	Description	Cat. No.	Description
80781	1/2" Drive 12 Point Deep Metric Socket 10mm	80786	1/2" Drive 12 Point Deep Metric Socket 15mm
80782	1/2" Drive 12 Point Deep Metric Socket 11mm	80787	1/2" Drive 12 Point Deep Metric Socket 16mm
80783	1/2" Drive 12 Point Deep Metric Socket 12mm	80788	1/2" Drive 12 Point Deep Metric Socket 17mm
80784	1/2" Drive 12 Point Deep Metric Socket 13mm	80789	1/2" Drive 12 Point Deep Metric Socket 18mm
80785	1/2" Drive 12 Point Deep Metric Socket 14mm	80790	1/2" Drive 12 Point Deep Metric Socket 19mm

### 7 Pc. 1/2" Drive SAE Hex Bit Socket Set

- Heat treated for maximum durability
- Bits made of S2 steel for strength and durability
- Hard stamped size markings
- Bright, full polish chrome finish easily wipes clean and resists corrosion
- Includes socket rail for storage and organization
- Meets or exceeds ASME specifications



Cat. No.	Included Storage	Product Weight
80721	Socket Rail	2.25 lb



Cat. No.	Description	Cat. No.	Description
80651	1/2" Drive Hex Bit SAE Socket 5/16"	80655	1/2" Drive Hex Bit SAE Socket 9/16"
80652	1/2" Drive Hex Bit SAE Socket 3/8"	80656	1/2" Drive Hex Bit SAE Socket 5/8"
80653	1/2" Drive Hex Bit SAE Socket 7/16"	80657	1/2" Drive Hex Bit SAE Socket 3/4"
80654	1/2" Drive Hex Bit SAE Socket 1/2"		



### 7 Pc. 1/2" Drive Metric Hex Bit Socket Set

- Heat treated for maximum durability
- Bits made of S2 steel for strength and durability
- Hard stamped size markings
- Bright, full polish chrome finish easily wipes clean and resists corrosion
- Includes socket rail for storage and organization
- Meets or exceeds ASME specifications



Cat. No.	Included Storage	Product Weight
80720	Socket Rail	2.30 lb



Cat. No.	Description	Cat. No.	Description
80658	1/2" Drive Hex Bit Metric Socket 6mm	80662	1/2" Drive Hex Bit Metric Socket 14mm
80659	1/2" Drive Hex Bit Metric Socket 8mm	80663	1/2" Drive Hex Bit Metric Socket 17mm
80660	1/2" Drive Hex Bit Metric Socket 10mm	80664	1/2" Drive Hex Bit Metric Socket 19mm
80661	1/2" Drive Hex Bit Metric Socket 12mm		

### 1/2" Drive 120XP™ Teardrop Ratchet

- 120XP™ ratchets have two double stacked 60 tooth pawls (120 positions) providing a 3° swing arc so you can turn fasteners in tighter confines
- Double-stacked pawls alternately engage the 60 tooth gear, providing exceptional strength
- Highly visible on/off markings on the head for fast size identification
- Enclosed head design for extreme resistance to dirt infiltration
- Teardrop, low-profile head and flush-mounted on/off switch allow better access in tight spaces
- Longer reach handle to access hard-to-reach fasteners
- Bright, full polish chrome finish easily wipes clean and resists corrosion
- Meets or exceeds ASME specifications



Cat. No.	Overall Length	Head Width	Head Thickness	Tooth Count	Repair Kit	Product Weight
81304P	11 in	1.73 in	0.74 in	120XP	81339P	1.87 lb

### 1/2" Drive 120XP™ Extra Long Handle Teardrop Ratchet

- 120XP™ ratchets have two double stacked 60-tooth pawls (120 positions) providing a 3° swing arc so you can turn fasteners in tighter confines
- Double-stacked pawls engage a 60 tooth gear, with strength that exceeds ASME specifications
- 24 inch extra long handle for additional access
- Low profile teardrop head and flush-mounted on/off switch for better access in tight spaces
- Enclosed head design with extreme resistance to dirt infiltration
- Highly visible on/off markings on the head
- Bright, full polish chrome finish easily wipes clean and resists corrosion



Cat. No.	Overall Length	Head Width	Head Thickness	Tooth Count	Repair Kit	Product Weight
81364	24 in	1.72 in	.75 in	120XP	81339P	2.855 lb

### 1/2" Drive 120XP™ Flex Head Teardrop Ratchet

- 120XP™ ratchets have two double stacked 60 tooth pawls (120 positions) providing a 3° swing arc so you can turn fasteners in tighter confines
- Double-stacked pawls alternately engage the 60 tooth gear, providing exceptional strength
- Flexible head provides access for hard to reach fasteners
- Highly visible on/off markings on the head for fast size identification
- Enclosed head design for extreme resistance to dirt infiltration
- Teardrop, low-profile head and flush-mounted on/off switch allow better access in tight spaces
- Longer reach handle to access hard-to-reach fasteners
- Bright, full polish chrome finish easily wipes clean and resists corrosion
- Meets or exceeds ASME specifications



Cat. No.	Overall Length	Head Width	Head Thickness	Tooth Count	No. of Positions	Repair Kit	Product Weight
81306P	16.9 in	1.77 in	0.75 in	120XP	6	81339P	2.44 lb

### 1/2" Drive 84 Tooth Teardrop Ratchet

- 84 tooth gear offers a 4.3° swing arc for easy access
- Teardrop shaped head and flush-mounted on/off switch allow even more access in tight spaces
- Bright, full polish chrome finish easily wipes clean and resists corrosion
- Meets or exceeds ASME specifications



Cat. No.	Overall Length	Head Width	Head Thickness	Tooth Count	Repair Kit	Product Weight
81304F	11 in	1.72 in	0.64 in	84	81339F	1.85 lb

### 1/2" Drive 84 Tooth Dual Material Teardrop Ratchet

- 45 tooth teardrop shaped head with on/off switch allow even more access in tight spaces
- Quick release design allows for rapid socket removal
- Bright chrome finish wipes clean easily and resists rust or corrosion
- Dual material comfort grip handle
- Meets or exceeds ASME specifications



Cat. No.	Overall Length	Head Width	Head Thickness	Tooth Count	Repair Kit	Product Weight
81303F	11.61 in	1.69 in	0.64 in	84	81339F	1.30 lb

### 1/2" Drive 84 Tooth Long Handle Teardrop Ratchet

- 84 tooth gear offers a 4.3° swing arc for easy access
- Flush mounted on/off lever
- Teardrop shaped head for improved access
- Long, full polish chrome handle for increased access
- Meets or exceeds ASME specifications



Cat. No.	Overall Length	Head Width	Head Thickness	Tooth Count	Repair Kit	Product Weight
81360	15 in	1.72 in	0.64 in	84	81339F	1.97 lb

### 1/2" Drive 84 Tooth Long Handle Dual Material Teardrop Ratchet

- 84 tooth gear offers a 4.3° swing arc for easy access
- Flush mounted on/off lever
- Teardrop shaped head for improved access
- Long, dual material comfort handle for increased access
- Dual material comfort grip handle
- Meets or exceeds ASME specifications



Cat. No.	Overall Length	Head Width	Head Thickness	Tooth Count	Repair Kit	Product Weight
81361	16.5 in	1.72 in	0.64 in	84	81339F	1.991 lb

### 1/2" Drive 84 Tooth Flex Head Teardrop Ratchet

- 84 tooth gear offers a 4.3° swing arc for easy access
- Teardrop shaped head and flush-mounted on/off switch allow even more access in tight spaces
- Bright, full polish chrome finish easily wipes clean and resists corrosion
- Meets or exceeds ASME specifications



Cat. No.	Overall Length	Head Width	Head Thickness	Tooth Count	Repair Kit	Product Weight
81306F	16.98 in	1.72 in	0.64 in	84	81339F	2.05 lb

### 1/2" Drive 84 Tooth Locking Flex Head Teardrop Ratchets

- 84 tooth gear offers a 4.3° swing arc for easy access
- Locking flex head with 9-locked and unlocked positions for adjustable access angle
- Teardrop, low-profile head and flush-mounted on/off switch allow even more access in tight spaces
- Enclosed head design for extreme resistance to dirt infiltration
- Bright, full polish chrome finish easily wipes clean and resists corrosion
- Meets or exceeds ASME specifications



Cat. No.	Overall Length	Head Width	Head Thickness	Tooth Count	No. of Positions	Repair Kit	Product Weight
81362	16.93 in	1.72 in	0.64 in	84	9	81339F	2.30 lb
81363	24 in	1.72 in	0.64 in	84	9	81339F	2.79 lb

### 1/2" Drive Quick-Release Teardrop Ratchet

- 45 tooth teardrop shaped head with on/off switch allow even more access in tight spaces
- Quick release design allows for rapid socket removal
- Bright chrome finish wipes clean easily and resists rust or corrosion
- Meets or exceeds ASME specifications



Cat. No.	Overall Length	Head Width	Head Thickness	Tooth Count	Product Weight
81309	9.6 in	1.69 in	0.72 in	45	1.45 lb

### 1/2" Drive Non-Quick Release Ratchet Repair Kits

- For non-quick release and non-roto ratchets



Cat. No.	Description	Fits Product Number	Tooth Count
81339P	1/2" Drive 120XP™ Non-Quick Release Dual Pawl Ratchet Repair Kit	81304P 81306P	120XP
81339F	1/2" Drive Non Quick Release Ratchet Repair Kit	81304 81306 81303 81304F 81306F 81303F	84
81339	1/2" Drive Non Quick Release Ratchet Repair Kit	81304 81306 81303	60

### 1/2" Drive Full Polish Flex Handle/Breaker Bars

- Ergonomic handle for reduced user fatigue
- 180° flex tang for greater access
- Bright, full polish chrome finish easily wipes clean and resists corrosion
- Ball detent for secure socket retention
- Meets or exceeds ASME specifications



Cat. No.	Overall Length	Product Weight
81307	15 in	1.54 lb
81308D	24 in	2.75 lb

### 1/2" Drive Extendable Flex Handle/Breaker Bar

- 180° flex tang provides greater access
- Extendable handle increase overall length from 18" up to 24"
- Bright, full polish chrome finish easily wipes clean and resists corrosion
- Ergonomic handle for reduced user fatigue



Cat. No.	Overall Length	Product Weight
87852	24 in	2.030 lb

### 1/2" Drive Speeder Handle

- Free rotating top handle grip delivers ultra-fast action for tightening and removing fasteners
- Ball detent for secure socket retention
- Bright, full polish chrome finish easily wipes clean and resists corrosion



Cat. No.	Overall Length	Product Weight
81312	19 in	2.45 lb

### 1/2" Drive Sliding T-Handle

- T-Handle slides for optimum position and leverage
- Bright, full polish chrome finish easily wipes clean and resists corrosion
- Handle length for improved leverage and torque
- Ball detent for secure socket retention



Cat. No.	Overall Length	Product Weight
81311	12 in	0.95 lb

### 1/2" Drive Universal Joint

- Universal joint allows for greater access
- Ball detent for secure socket retention
- Bright, full polish chrome finish easily wipes clean and resists corrosion



Cat. No.	Overall Length	Product Weight
80600D	2.875 in	0.33 lb

### 1/2" Drive Adapters

- Ball detent for secure socket retention
- Bright, full polish chrome finish easily wipes clean and resists corrosion



Cat. No.	Overall Length	Female Drive Size	Male Drive Size	Product Weight
81354	1.38 in	1/2"	3/8"	0.06 lb
81355	1.5 in	1/2"	3/4"	0.28 lb

### 3 Pc. 1/2" Drive Extension Set

- Ball detent for secure socket retention
- Knurled grip provides a nonslip surface
- Bright, full polish chrome finish easily wipes clean and resists corrosion



Cat. No.	Included Storage	Product Weight
81300	Tray	2.98 lb

Cat. No.	Description
81341	1/2" Drive Extension 5"
81342	1/2" Drive Extension 10"
81343	1/2" Drive Extension 15"

### 1/2" Drive Extensions

- Ball detent for secure socket retention
- Knurled grip provides a nonslip surface
- Hard stamped size markings
- Bright, full polish chrome finish easily wipes clean and resists corrosion



Cat. No.	Overall Length	Wobble	Product Weight
81340	3 in	No	0.27 lb
81341	5 in	No	0.44 lb
81342	10 in	No	0.86 lb
81343	15 in	No	1.30 lb
87854	20 in	No	1.800 lb

### 3 Pc. 1/2" Drive Wobble Extension Set

- Ball detent for secure socket retention
- Knurled grip provides a nonslip surface
- Bright, full polish chrome finish easily wipes clean and resists corrosion



Cat. No.	Included Storage	Product Weight
81301	Tray	2.98 lb

Cat. No.	Description
81345	1/2" Drive Wobble Extension 5"
81346	1/2" Drive Wobble Extension 10"
81347	1/2" Drive Wobble Extension 15"

### 1/2" Drive Wobble Extensions

- Ball detent for secure socket retention
- Knurled grip provides a nonslip surface
- Bright, full polish chrome finish easily wipes clean and resists corrosion



Cat. No.	Overall Length	Wobble	Product Weight
81345	5 in	Yes	0.44 lb
81346	10 in	Yes	0.86 lb
81347	15 in	Yes	0.62 lb



### 3 Pc. 1/2" Drive Locking Extension Set

- Locking mechanism with sliding collar securely attaches socket to extension
- Knurled grip provides a nonslip surface
- Bright, full polish chrome finish easily wipes clean and resists corrosion
- Hard stamped size markings



Cat. No.	Included Storage	Product Weight
81302	Tray	1.76 lb

Cat. No.	Description
81348	1/2" Drive Locking Extension 3"
81349	1/2" Drive Locking Extension 5"
81350	1/2" Drive Locking Extension 10"

### 1/2" Drive Locking Extensions

- Knurled grip provides a nonslip surface
- Locking mechanism with sliding collar securely attaches socket to extension
- Bright, full polish chrome finish easily wipes clean and resists corrosion
- Hard stamped size markings



Cat. No.	Overall Length	Wobble	Product Weight
81348	3 in	No	0.29 lb
81349	5 in	No	0.44 lb
81350	10 in	No	0.86 lb

### 1/2" Drive 6 Point Standard Length Sockets

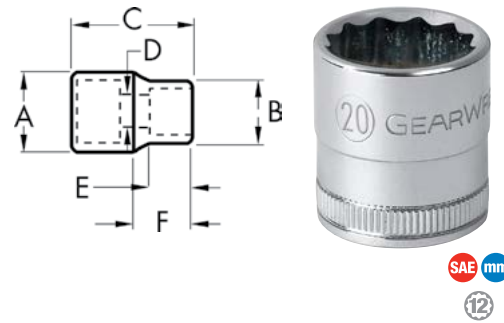
- Off-corner loading design reduces fastener rounding
- Chamfered opening quickly guides fasteners into socket
- Hard stamped size markings
- Double line (SAE) and knurled (metric) ring help easily identify standard and metric sockets
- Bright, full polish chrome finish easily wipes clean and resists corrosion
- Meets or exceeds ASME specifications



Cat. No.	SAE/Metric	Fastener Size	Dim. A: Drive End	Dim. B: Wrench End	Dim. C: Overall Length	Dim. D: Bolt Clearance	Dim. E: Wrench Depth	Dim. F: Length to Shoulder	Product Weight
80648	SAE	3/8 in	.874 in	.669 in	1.488 in	.283 in	.551 in	.748 in	0.115 lb
80602	SAE	7/16 in	0.874 in	0.669 in	1.488 in	0.283 in	0.551 in	0.748 in	0.13 lb
80603	SAE	1/2 in	0.874 in	0.732 in	1.488 in	0.354 in	0.551 in	0.748 in	0.13 lb
80604	SAE	9/16 in	0.874 in	0.732 in	1.488 in	0.354 in	0.551 in	0.748 in	0.13 lb
80605	SAE	5/8 in	0.874 in	0.732 in	1.488 in	0.354 in	0.551 in	0.748 in	0.13 lb
80606	SAE	11/16 in	0.937 in	0.937 in	1.488 in	0.472 in	0.591 in	0.748 in	0.15 lb
80607D	SAE	3/4 in	1.020 in	1.020 in	1.488 in	0.472 in	0.768 in	0.748 in	0.18 lb
80608	SAE	13/16 in	1.098 in	1.098 in	1.488 in	0.472 in	0.768 in	0.748 in	0.22 lb
80609	SAE	7/8 in	1.177 in	1.177 in	1.488 in	0.472 in	0.768 in	0.748 in	0.24 lb
80610D	SAE	15/16 in	1.256 in	1.256 in	1.488 in	0.472 in	0.807 in	0.748 in	0.29 lb
80611	SAE	1 in	1.335 in	1.335 in	1.575 in	0.472 in	0.886 in	0.748 in	0.33 lb
80612	SAE	1-1/16 in	1.413 in	1.413 in	1.575 in	0.472 in	0.886 in	0.748 in	0.38 lb
80613	SAE	1-1/8 in	1.492 in	1.492 in	1.654 in	0.472 in	0.965 in	0.748 in	0.44 lb
80677	SAE	1-3/16 in	1.524 in	1.571 in	1.654 in	0.453 in	0.965 in	1.496 in	0.50 lb
80678	SAE	1-1/4 in	1.602 in	1.650 in	1.654 in	0.453 in	0.965 in	1.496 in	0.50 lb
80679	SAE	1-1/2 in	1.913 in	1.961 in	1.969 in	0.453 in	1.220 in	1.496 in	0.55 lb
80622	Metric	10 mm	0.866 in	0.602 in	1.488 in	0.283 in	0.551 in	0.748 in	0.11 lb
80623	Metric	11 mm	0.866 in	0.650 in	1.488 in	0.354 in	0.551 in	0.748 in	0.11 lb
80624	Metric	12 mm	0.866 in	0.701 in	1.488 in	0.354 in	0.551 in	0.748 in	0.11 lb
80625	Metric	13 mm	0.866 in	0.748 in	1.488 in	0.421 in	0.551 in	0.748 in	0.12 lb
80626D	Metric	14 mm	0.866 in	0.799 in	1.488 in	0.421 in	0.571 in	0.748 in	0.12 lb
80627	Metric	15 mm	0.866 in	0.843 in	1.488 in	0.421 in	0.571 in	0.748 in	0.12 lb
80628	Metric	16 mm	0.866 in	0.850 in	1.488 in	0.472 in	0.571 in	0.748 in	0.13 lb
80629	Metric	17 mm	0.941 in	0.941 in	1.488 in	0.472 in	0.591 in	0.748 in	0.15 lb
80630	Metric	18 mm	0.980 in	0.980 in	1.488 in	0.472 in	0.591 in	0.748 in	0.17 lb
80631	Metric	19 mm	1.020 in	1.020 in	1.488 in	0.472 in	0.768 in	0.748 in	0.18 lb
80632	Metric	20 mm	1.094 in	1.094 in	1.488 in	0.472 in	0.768 in	0.748 in	0.18 lb
80633	Metric	21 mm	1.098 in	1.098 in	1.488 in	0.472 in	0.768 in	0.748 in	0.18 lb
80634	Metric	22 mm	1.177 in	1.177 in	1.488 in	0.472 in	0.768 in	0.748 in	0.22 lb
80635	Metric	23 mm	1.256 in	1.256 in	1.488 in	0.472 in	0.807 in	0.748 in	0.26 lb
80636D	Metric	24 mm	1.256 in	1.256 in	1.488 in	0.472 in	0.807 in	0.748 in	0.28 lb

### 1/2" Drive 12 Point Standard Length Sockets

- Off-corner loading design reduces fastener rounding
- Chamfered opening quickly guides fasteners into socket
- Hard stamped size markings
- Double line (SAE) and knurled (metric) ring help easily identify standard and metric sockets
- Bright, full polish chrome finish easily wipes clean and resists corrosion
- Meets or exceeds ASME specifications

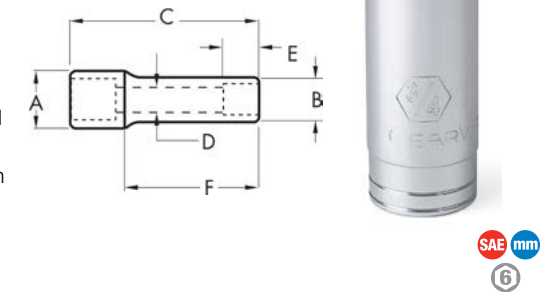


Cat. No.	SAE/Metric	Fastener Size	Dim. A: Drive End	Dim. B: Wrench End	Dim. C: Overall Length	Dim. D: Bolt Clearance	Dim. E: Wrench Depth	Dim. F: Length to Shoulder	Product Weight
80689	SAE	3/8 in	.874 in	.669 in	1.488 in	.283 in	.551 in	.748 in	0.139 lb
80760	SAE	7/16 in	0.874 in	0.669 in	1.488 in	0.283 in	0.551 in	0.748 in	0.12 lb
80761	SAE	1/2 in	0.874 in	0.732 in	1.488 in	0.354 in	0.551 in	0.748 in	0.12 lb
80762	SAE	9/16 in	0.874 in	0.732 in	1.488 in	0.354 in	0.551 in	0.748 in	0.12 lb
80763	SAE	5/8 in	0.874 in	0.732 in	1.488 in	0.354 in	0.551 in	0.748 in	0.13 lb
80764	SAE	11/16 in	0.937 in	0.937 in	1.488 in	0.472 in	0.591 in	0.748 in	0.17 lb
80765	SAE	3/4 in	1.020 in	1.020 in	1.488 in	0.472 in	0.768 in	0.748 in	0.17 lb
80766	SAE	13/16 in	1.098 in	1.098 in	1.488 in	0.472 in	0.768 in	0.748 in	0.19 lb
80767	SAE	7/8 in	1.177 in	1.177 in	1.488 in	0.472 in	0.768 in	0.748 in	0.22 lb
80768	SAE	15/16 in	1.256 in	1.256 in	1.488 in	0.472 in	0.807 in	0.748 in	0.25 lb
80769	SAE	1 in	1.335 in	1.335 in	1.575 in	0.472 in	0.886 in	0.748 in	0.32 lb
80770	SAE	1-1/16 in	1.413 in	1.413 in	1.575 in	0.472 in	0.886 in	0.748 in	0.34 lb
80771	SAE	1-1/8 in	1.492 in	1.492 in	1.654 in	0.472 in	0.965 in	1.496 in	0.35 lb
80794	SAE	1-1/4 in	1.602 in	1.650 in	1.654 in	0.472 in	0.965 in	1.496 in	0.50 lb
80793	SAE	1-3/16 in	1.524 in	1.571 in	1.654 in	0.472 in	0.965 in	1.496 in	0.45 lb
80680	SAE	1-1/2 in	1.913 in	1.961 in	1.969 in	0.472 in	1.220 in	1.496 in	0.86 lb
80805	Metric	8 mm	0.866 in	0.524 in	1.488 in	0.283 in	0.551 in	0.748 in	0.11 lb
80806	Metric	9 mm	0.866 in	0.563 in	1.488 in	0.283 in	0.551 in	0.748 in	0.11 lb
80745	Metric	10 mm	0.866 in	0.602 in	1.488 in	0.283 in	0.551 in	0.748 in	0.11 lb
80746	Metric	11 mm	0.866 in	0.650 in	1.488 in	0.354 in	0.551 in	0.748 in	0.11 lb
80747	Metric	12 mm	0.866 in	0.701 in	1.488 in	0.354 in	0.551 in	0.748 in	0.12 lb
80748D	Metric	13 mm	0.866 in	0.748 in	1.488 in	0.421 in	0.551 in	0.748 in	0.13 lb
80749	Metric	14 mm	0.866 in	0.799 in	1.488 in	0.421 in	0.571 in	0.748 in	0.13 lb
80750	Metric	15 mm	0.866 in	0.843 in	1.488 in	0.421 in	0.571 in	0.748 in	0.13 lb
80751	Metric	16 mm	0.866 in	0.850 in	1.488 in	0.472 in	0.571 in	0.748 in	0.16 lb
80752	Metric	17 mm	0.941 in	0.941 in	1.488 in	0.472 in	0.591 in	0.748 in	0.17 lb
80753	Metric	18 mm	0.980 in	0.980 in	1.488 in	0.472 in	0.591 in	0.748 in	0.18 lb
80754	Metric	19 mm	1.020 in	1.020 in	1.488 in	0.472 in	0.768 in	0.748 in	0.20 lb
80755D	Metric	20 mm	1.094 in	1.094 in	1.488 in	0.472 in	0.768 in	0.748 in	0.20 lb
80756	Metric	21 mm	1.098 in	1.098 in	1.488 in	0.472 in	0.768 in	0.748 in	0.22 lb
80757	Metric	22 mm	1.177 in	1.177 in	1.488 in	0.472 in	0.768 in	0.748 in	0.26 lb
80758	Metric	23 mm	1.256 in	1.256 in	1.488 in	0.472 in	0.807 in	0.748 in	0.28 lb
80759	Metric	24 mm	1.256 in	1.256 in	1.488 in	0.472 in	0.807 in	0.748 in	0.28 lb
80811	Metric	25 mm	1.262 in	1.309 in	1.488 in	0.453 in	0.807 in	0.748 in	0.30 lb
80681	Metric	26 mm	1.287 in	1.335 in	1.575 in	0.453 in	0.886 in	1.496 in	0.33 lb
80812	Metric	27 mm	1.366 in	1.413 in	1.575 in	0.453 in	0.886 in	0.748 in	0.33 lb

Cat. No.	SAE/Metric	Fastener Size	Dim. A: Drive End	Dim. B: Wrench End	Dim. C: Overall Length	Dim. D: Bolt Clearance	Dim. E: Wrench Depth	Dim. F: Length to Shoulder	Product Weight
80682	Metric	28 mm	1.433 in	1.480 in	1.575 in	0.453 in	0.886 in	1.496 in	0.35 lb
80683	Metric	29 mm	1.445 in	1.492 in	1.575 in	0.453 in	0.886 in	1.496 in	0.35 lb
80813	Metric	30 mm	1.524 in	1.571 in	1.654 in	0.453 in	0.965 in	0.748 in	0.35 lb
80814D	Metric	32 mm	1.602 in	1.650 in	1.654 in	0.453 in	0.965 in	0.748 in	0.37 lb
80815D	Metric	36 mm	1.921 in	1.969 in	1.969 in	0.453 in	1.102 in	0.748 in	0.39 lb

### 1/2" Drive 6 Point Deep Length Sockets

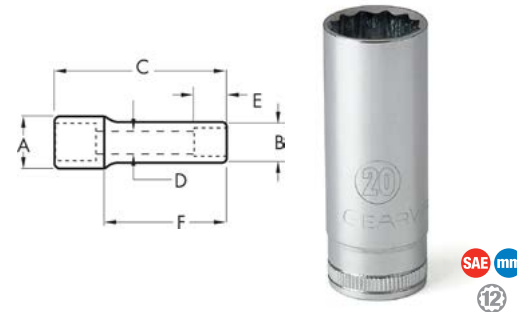
- Off-corner loading design reduces fastener rounding
- Chamfered opening quickly guides fasteners into socket
- Hard stamped size markings
- Double line (SAE) and knurled (metric) ring help easily identify standard and metric sockets
- Bright, full polish chrome finish easily wipes clean and resists corrosion
- Meets or exceeds ASME specifications



Cat. No.	SAE/Metric	Fastener Size	Dim. A: Drive End	Dim. B: Wrench End	Dim. C: Overall Length	Dim. D: Bolt Clearance	Dim. E: Wrench Depth	Dim. F: Length to Shoulder	Product Weight
80684	SAE	7/16 in	0.866 in	0.669 in	3.031 in	0.394 in	0.000 in	1.496 in	0.22 lb
80614	SAE	1/2 in	0.866 in	0.732 in	3.031 in	0.453 in	0.287 in	1.496 in	0.24 lb
80615	SAE	9/16 in	0.866 in	0.811 in	3.031 in	0.453 in	0.350 in	1.496 in	0.27 lb
80616	SAE	5/8 in	0.866 in	0.850 in	3.031 in	0.453 in	0.398 in	1.496 in	0.27 lb
80617	SAE	11/16 in	0.937 in	0.937 in	3.031 in	0.453 in	0.398 in	1.496 in	0.31 lb
80618	SAE	3/4 in	1.016 in	1.016 in	3.031 in	0.453 in	0.457 in	1.496 in	0.38 lb
80619	SAE	13/16 in	1.094 in	1.094 in	3.031 in	0.453 in	0.480 in	1.496 in	0.42 lb
80620	SAE	7/8 in	1.173 in	1.173 in	3.031 in	0.453 in	0.520 in	1.496 in	0.51 lb
80621	SAE	15/16 in	1.252 in	1.252 in	3.031 in	0.453 in	0.567 in	1.496 in	0.57 lb
80674	SAE	1 in	1.283 in	1.331 in	3.031 in	0.453 in	0.457 in	1.496 in	0.80 lb
80675	SAE	1-1/16 in	1.362 in	1.409 in	3.031 in	0.453 in	0.457 in	1.496 in	0.90 lb
80676	SAE	1-1/8 in	1.441 in	1.488 in	3.031 in	0.453 in	0.457 in	1.496 in	0.99 lb
80685	SAE	1-1/4 in	1.598 in	1.646 in	3.031 in	0.453 in	0.000 in	0.000 in	1.15 lb
80686	SAE	1-1/2 in	1.913 in	1.961 in	1.969 in	0.000 in	1.220 in	0.000 in	1.37 lb
80637	Metric	10 mm	0.866 in	0.602 in	3.031 in	0.374 in	0.201 in	1.496 in	0.23 lb
80638	Metric	11 mm	0.866 in	0.650 in	3.031 in	0.394 in	0.236 in	1.496 in	0.23 lb
80639	Metric	12 mm	0.866 in	0.701 in	3.031 in	0.433 in	0.260 in	1.496 in	0.24 lb
80640	Metric	13 mm	0.866 in	0.748 in	3.031 in	0.453 in	0.287 in	1.496 in	0.25 lb
80641	Metric	14 mm	0.866 in	0.799 in	3.031 in	0.453 in	0.350 in	1.496 in	0.25 lb
80642	Metric	15 mm	0.866 in	0.843 in	3.031 in	0.453 in	0.350 in	1.496 in	0.25 lb
80643	Metric	16 mm	0.866 in	0.850 in	3.031 in	0.453 in	0.398 in	1.496 in	0.29 lb
80644	Metric	17 mm	0.937 in	0.937 in	3.031 in	0.453 in	0.398 in	1.496 in	0.30 lb
80645	Metric	18 mm	0.976 in	0.976 in	3.031 in	0.453 in	0.421 in	1.496 in	0.33 lb
80646D	Metric	19 mm	1.016 in	1.016 in	3.031 in	0.453 in	0.457 in	1.496 in	0.34 lb

### 1/2" Drive 12 Point Deep Length Sockets

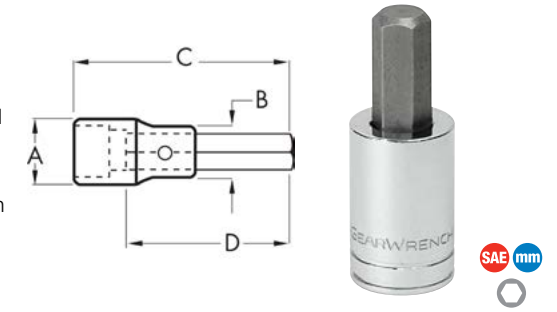
- Off-corner loading design reduces fastener rounding
- Chamfered opening quickly guides fasteners into socket
- Hard stamped size markings
- Double line (SAE) and knurled (metric) ring help easily identify standard and metric sockets
- Bright, full polish chrome finish easily wipes clean and resists corrosion
- Meets or exceeds ASME specifications



Cat. No.	SAE/Metric	Fastener Size	Dim. A: Drive End	Dim. B: Wrench End	Dim. C: Overall Length	Dim. D: Bolt Clearance	Dim. E: Wrench Depth	Dim. F: Length to Shoulder	Product Weight
80772	SAE	7/16 in	0.870 in	0.670 in	3.030 in	0.390 in	0.240 in	1.500 in	0.22 lb
80773	SAE	1/2 in	0.866 in	0.732 in	3.031 in	0.453 in	0.287 in	1.496 in	0.24 lb
80774	SAE	9/16 in	0.866 in	0.811 in	3.031 in	0.453 in	0.350 in	1.496 in	0.27 lb
80775	SAE	5/8 in	0.866 in	0.850 in	3.031 in	0.453 in	0.398 in	1.496 in	0.27 lb
80776	SAE	11/16 in	0.937 in	0.937 in	3.031 in	0.453 in	0.398 in	1.496 in	0.31 lb
80777D	SAE	3/4 in	1.016 in	1.016 in	3.031 in	0.453 in	0.457 in	1.496 in	0.38 lb
80778	SAE	13/16 in	1.094 in	1.094 in	3.031 in	0.453 in	0.480 in	1.496 in	0.42 lb
80779	SAE	7/8 in	1.173 in	1.173 in	3.031 in	0.453 in	0.520 in	1.496 in	0.51 lb
80780	SAE	15/16 in	1.252 in	1.252 in	3.031 in	0.453 in	0.567 in	1.496 in	0.57 lb
80795	SAE	1 in	1.283 in	1.331 in	3.031 in	0.453 in	0.642 in	1.496 in	0.80 lb
80796	SAE	1-1/16 in	1.362 in	1.409 in	3.031 in	0.453 in	0.677 in	1.496 in	0.90 lb
80797	SAE	1-1/8 in	1.441 in	1.488 in	3.031 in	0.453 in	0.772 in	1.496 in	0.99 lb
80798	SAE	1-1/4 in	1.598 in	1.646 in	3.031 in	0.453 in	0.870 in	1.496 in	1.15 lb
80687	SAE	1-1/2 in	1.598 in	1.646 in	3.031 in	0.453 in	0.870 in	1.496 in	1.37 lb
80781	Metric	10 mm	0.866 in	0.602 in	3.031 in	0.374 in	0.201 in	1.496 in	0.23 lb
80782	Metric	11 mm	0.866 in	0.650 in	3.031 in	0.394 in	0.236 in	1.496 in	0.23 lb
80783	Metric	12 mm	0.866 in	0.701 in	3.031 in	0.433 in	0.260 in	1.496 in	0.24 lb
80784	Metric	13 mm	0.866 in	0.748 in	3.031 in	0.453 in	0.287 in	1.496 in	0.25 lb
80785	Metric	14 mm	0.866 in	0.799 in	3.031 in	0.453 in	0.350 in	1.496 in	0.25 lb
80786	Metric	15 mm	0.866 in	0.843 in	3.031 in	0.453 in	0.350 in	1.496 in	0.25 lb
80787	Metric	16 mm	0.866 in	0.850 in	3.031 in	0.453 in	0.398 in	1.496 in	0.29 lb
80788	Metric	17 mm	0.937 in	0.937 in	3.031 in	0.453 in	0.398 in	1.496 in	0.30 lb
80789	Metric	18 mm	0.976 in	0.976 in	3.031 in	0.453 in	0.421 in	1.496 in	0.33 lb
80790	Metric	19 mm	1.016 in	1.016 in	3.031 in	0.453 in	0.457 in	1.496 in	0.34 lb
80817D	Metric	20 mm	1.047 in	1.094 in	3.031 in	0.453 in	0.480 in	0.748 in	0.40 lb
80818	Metric	21 mm	1.047 in	1.094 in	3.031 in	0.453 in	0.480 in	0.748 in	0.43 lb
80820	Metric	22 mm	1.126 in	1.173 in	3.031 in	0.453 in	0.520 in	0.748 in	0.45 lb
80822	Metric	24 mm	1.205 in	1.252 in	3.031 in	0.453 in	0.567 in	0.748 in	0.46 lb
80824	Metric	27 mm	1.362 in	1.409 in	3.031 in	0.453 in	0.642 in	0.748 in	0.48 lb
80826	Metric	30 mm	1.520 in	1.567 in	3.031 in	0.453 in	0.677 in	0.748 in	0.50 lb
80827	Metric	32 mm	1.598 in	1.646 in	3.031 in	0.453 in	0.772 in	0.748 in	0.55 lb

### 1/2" Drive Hex Bit Sockets

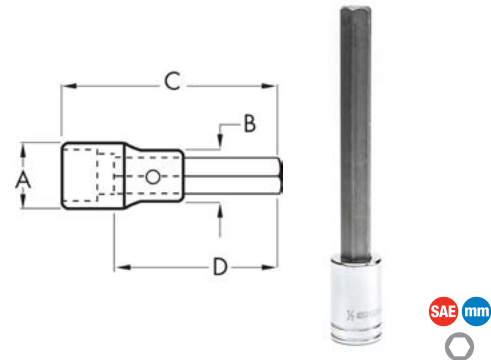
- Heat-treated socket base for durability
- S2 steel insert bits offer maximum strength
- Double line (SAE) and knurled (metric) ring help easily identify standard and metric sockets
- Hard stamped size markings
- Bright, full polish chrome finish easily wipes clean and resists corrosion
- Meets or exceeds ASME specifications



Cat. No.	SAE/Metric	Fastener Size	Dim. A: Drive End	Dim. B: Nose Diameter	Dim. C: Overall Length	Dim. D: Bit Length	Product Weight
80651	SAE	5/16 in	0.944 in	0.665 in	2.48 in	1.49 in	0.21 lb
80652	SAE	3/8 in	0.944 in	0.700 in	2.48 in	1.49 in	0.23 lb
80653	SAE	7/16 in	0.944 in	0.748 in	2.48 in	1.49 in	0.24 lb
80654	SAE	1/2 in	0.944 in	0.944 in	2.48 in	1.49 in	0.28 lb
80655	SAE	9/16 in	1.023 in	1.023 in	2.48 in	1.49 in	0.33 lb
80656	SAE	5/8 in	1.023 in	1.023 in	2.48 in	1.49 in	0.34 lb
80657	Metric	3/4 in	1.102 in	1.102 in	2.48 in	1.49 in	0.44 lb
80658	Metric	6 mm	0.944 in	0.665 in	2.48 in	1.49 in	0.21 lb
80659	Metric	8 mm	0.944 in	0.665 in	2.48 in	1.49 in	0.23 lb
80660	Metric	10 mm	0.944 in	0.748 in	2.48 in	1.49 in	0.24 lb
80661	Metric	12 mm	0.944 in	0.944 in	2.48 in	1.49 in	0.28 lb
80662	Metric	14 mm	1.023 in	1.023 in	2.48 in	1.49 in	0.33 lb
80663	Metric	17 mm	1.102 in	1.102 in	2.48 in	1.49 in	0.34 lb
80664	Metric	19 mm	1.102 in	1.102 in	2.48 in	1.49 in	0.44 lb

### 1/2" Drive Long Length Hex Bit Sockets

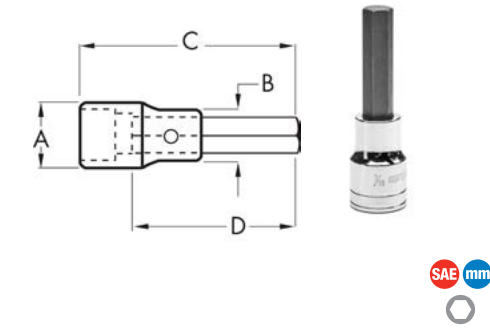
- Long length hex bit for additional access to hard-to-reach fasteners
- S2 steel insert bits offer maximum strength
- Heat-treated socket bases provide lasting durability
- Double line (SAE) and knurled (metric) ring help easily identify standard and metric sockets
- Hard stamped size markings
- Bright, full polish chrome finish easily wipes clean and resists corrosion
- Meets or exceeds ASME specifications



Cat. No.	SAE/Metric	Fastener Size	Dim. A: Drive End	Dim. B: Nose Diameter	Dim. C: Overall Length	Dim. D: Bit Length	Product Weight
82564	SAE	1/4 in	0.87 in	0.67 in	5 in	3.9 in	0.230 lb
82565	SAE	5/16 in	0.94 in	0.67 in	5 in	3.9 in	0.260 lb
82566	SAE	3/8 in	0.94 in	0.70 in	5.98 in	4.88 in	0.340 lb
82567	SAE	1/2 in	0.94 in	0.94 in	5.98 in	4.88 in	0.500 lb
82568	SAE	9/16 in	1.02 in	1.02 in	7.01 in	5.91 in	0.700 lb
82569	SAE	5/8 in	1.1 in	1.1 in	7.01 in	5.91 in	0.790 lb
82579	Metric	6 mm	0.87 in	0.67 in	4.69 in	3.58 in	0.220 lb
82580	Metric	8 mm	0.94 in	0.67 in	4.69 in	3.58 in	0.260 lb
82581	Metric	10 mm	0.94 in	0.75 in	5.98 in	3.58 in	0.360 lb
82582	Metric	12 mm	0.94 in	0.94 in	5.98 in	4.88 in	0.480 lb
82583	Metric	14 mm	1.02 in	1.02 in	7.01 in	5.91 in	0.680 lb
82584	Metric	17 mm	1.1 in	1.1 in	7.01 in	5.91 in	0.930 lb

### 1/2" Drive Mid Length Hex Bit Sockets

- Mid-length hex bit for additional access to hard-to-reach fasteners
- S2 steel insert bits offer maximum strength
- Heat-treated socket bases provide lasting durability
- Double line (SAE) and knurled (metric) ring help easily identify standard and metric sockets
- Hard stamped size markings
- Bright, full polish chrome finish easily wipes clean and resists corrosion
- Meets or exceeds ASME specifications

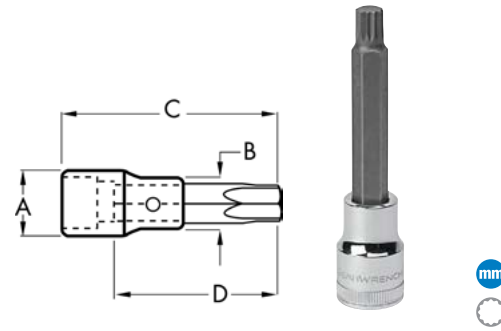


Cat. No.	SAE/Metric	Fastener Size	Dim. A: Drive End	Dim. B: Nose Diameter	Dim. C: Overall Length	Dim. D: Bit Length	Product Weight
82555	SAE	1/4 in	0.87 in	0.67 in	3.27 in	2.17 in	0.200 lb
82556	SAE	5/16 in	0.94 in	0.67 in	3.27 in	2.17 in	0.220 lb
82557	SAE	3/8 in	0.94 in	0.7 in	3.27 in	2.17 in	0.250 lb
82558	SAE	7/16 in	0.94 in	0.75 in	3.27 in	2.17 in	0.300 lb
82559	SAE	1/2 in	0.94 in	0.94 in	3.7 in	2.6 in	0.360 lb
82560	SAE	9/16 in	1.02 in	1.02 in	3.7 in	2.6 in	0.440 lb
82561	SAE	5/8 in	1.1 in	1.1 in	3.98 in	2.87 in	0.510 lb
82562	SAE	3/4 in	1.1 in	1.1 in	3.98 in	2.87 in	0.630 lb
82571	Metric	6 mm	0.87 in	0.67 in	3.19 in	2.09 in	0.200 lb
82572	Metric	8 mm	0.94 in	0.67 in	3.19 in	2.09 in	0.220 lb
82573	Metric	10 mm	0.94 in	0.75 in	3.19 in	2.09 in	0.250 lb
82574	Metric	12 mm	0.94 in	0.94 in	3.66 in	2.56 in	0.350 lb
82575	Metric	14 mm	1.02 in	1.02 in	3.66 in	2.87 in	0.430 lb
82576	Metric	17 mm	1.1 in	1.1 in	3.98 in	2.87 in	0.590 lb
82577	Metric	19 mm	1.1 in	1.1 in	3.98 in	4.88 in	0.620 lb



### 1/2" Drive Triple Square Bit Sockets

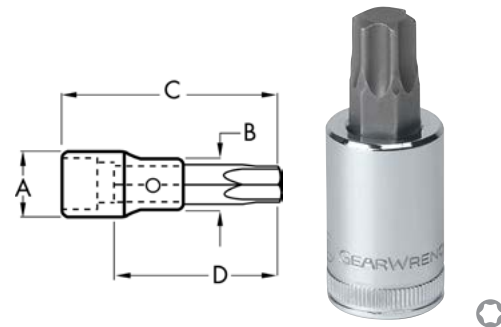
- Heat-treated socket base for durability
- S2 steel insert bits offer maximum strength
- Double line (SAE) and knurled (metric) ring help easily identify standard and metric sockets
- Hard stamped size markings
- Bright, full polish chrome finish easily wipes clean and resists corrosion
- Meets or exceeds ASME specifications



Cat. No.	SAE/Metric	Fastener Size	Dim. A: Drive End	Dim. B: Nose Diameter	Dim. C: Overall Length	Dim. D: Bit Length	Product Weight
80737	Metric	10 mm	0.858 in	0.697 in	2.17 in	1.181 in	0.16 lb
80665	Metric	10 mm	0.944 in	0.748 in	4.21 in	3.180 in	0.38 lb
80869	Metric	10 mm	0.858 in	0.697 in	3.94 in	2.952 in	0.23 lb
80738	Metric	12 mm	0.937 in	0.817 in	2.17 in	1.181 in	0.21 lb
80666	Metric	12 mm	0.944 in	0.944 in	4.68 in	3.660 in	0.38 lb
80870	Metric	12 mm	0.937 in	0.817 in	3.94 in	2.952 in	0.31 lb
80739	Metric	14 mm	0.937 in	0.865 in	2.17 in	1.181 in	0.23 lb
80871	Metric	14 mm	0.937 in	0.878 in	3.94 in	2.952 in	0.36 lb
80740	Metric	16 mm	1.015 in	0.959 in	2.17 in	1.181 in	0.30 lb
80872	Metric	16 mm	1.015 in	0.96 in	3.94 in	2.952 in	0.49 lb
80741	Metric	18 mm	1.094 in	1.040 in	2.17 in	1.181 in	0.36 lb

### 1/2" Drive Torx® Bit Sockets

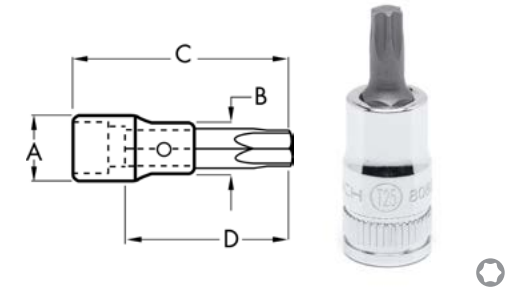
- Heat-treated socket base for durability
- S2 steel insert bits offer maximum strength
- Double line (SAE) and knurled (metric) ring help easily identify standard and metric sockets
- Hard stamped size markings
- Bright, full polish chrome finish easily wipes clean and resists corrosion
- Meets or exceeds ASME specifications



Cat. No.	Fastener Size	Dim. A: Drive End	Dim. B: Nose Diameter	Dim. C: Overall Length	Dim. D: Bit Length	Product Weight
80667	T60	0.944 in	0.944 in	2.48 in	1.49 in	0.30 lb

### 1/2" Drive Stubby Torx® Bit Sockets

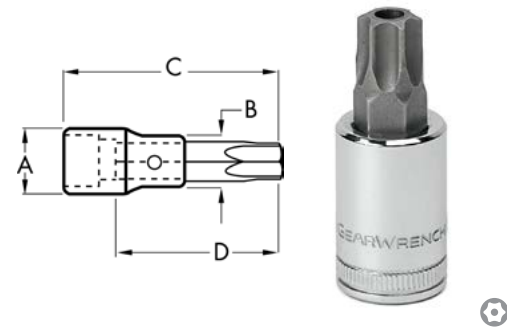
- Reduced overall bit length provides better access in tight spaces
- Heat-treated socket base for durability
- S2 steel insert bits offer maximum strength
- Hard stamped size markings
- Bright, full polish chrome finish easily wipes clean and resists corrosion
- Meets or exceeds ASME specifications



Cat. No.	Fastener Size	Dim. A: Drive End	Dim. B: Nose Diameter	Dim. C: Overall Length	Dim. D: Bit Length	Product Weight
80894	T55	0.858 in	0.700 in	2.15 in	1.181 in	0.16 lb
80896	T60	0.937 in	0.817 in	2.15 in	1.181 in	0.16 lb

### 1/2" Drive Tamper Proof Torx® Bit Sockets

- Heat-treated socket base for durability
- S2 steel insert bits offer maximum strength
- Double line (SAE) and knurled (metric) ring help easily identify standard and metric sockets
- Hard stamped size markings
- Bright, full polish chrome finish easily wipes clean and resists corrosion
- Meets or exceeds ASME specifications



Cat. No.	Fastener Size	Dim. A: Drive End	Dim. B: Nose Diameter	Dim. C: Overall Length	Dim. D: Bit Length	Product Weight
80668	T60	0.944 in	0.944 in	2.48 in	1.49 in	0.30 lb

### 1/2" Drive External Torx® Sockets

- For use with external torx fasteners
- Black oxide finish is corrosion resistant
- Heat treated socket for durability
- Hard stamped size markings
- For use with manual drive tools only



Cat. No.	Fastener Size	Dim. A: Drive End	Dim. B: Nose Diameter	Dim. C: Overall Length	Product Weight
80669D	E18	0.944 in	0.944 in	1.5 in	0.30 lb
80670	E20	0.944 in	0.944 in	1.75 in	0.34 lb
80672	E22	1.125 in	1.125 in	2 in	0.36 lb
80673	E24	1.125 in	1.125 in	2 in	0.38 lb

### 27 Pc. 3/4" Drive 12 Point SAE Mechanics Tool Set

- 24 tooth full polish chrome quick-release ratchet
- Full polish chrome sockets with large hard-stamped size markings
- Knurled full polish chrome extensions
- Sockets feature off-corner loading design to reduce fastener rounding
- Includes metal box for storage and organization
- Meets or exceeds ASME specifications



Cat. No.	Included Storage	Product Weight
80880	Metal Box	26.40 lb

Cat. No.	Description	Cat. No.	Description
81400	3/4" Drive 24 Tooth Quick Release Teardrop Ratchet 19-3/4"	80841	3/4" Drive 12 Point Standard SAE Socket 1-3/8"
81404	3/4" Drive Breaker Bar 19"	80852	3/4" Drive 12 Point Standard SAE Socket 1-7/16"
81401	3/4" Drive Sliding T Handle 18"	80854	3/4" Drive 12 Point Standard SAE Socket 1-1/2"
81411	3/4" Drive Extension 5"	80855D	3/4" Drive 12 Point Standard SAE Socket 1-5/8"
81412	3/4" Drive Extension 8"	80856	3/4" Drive 12 Point Standard SAE Socket 1-11/16"
81413	3/4" Drive Extension 16"	80857	3/4" Drive 12 Point Standard SAE Socket 1-3/4"
80830	3/4" Drive 12 Point Standard SAE Socket 7/8"	80859	3/4" Drive 12 Point Standard SAE Socket 1-13/16"
80831	3/4" Drive 12 Point Standard SAE Socket 15/16"	80860	3/4" Drive 12 Point Standard SAE Socket 1-7/8"
80833	3/4" Drive 12 Point Standard SAE Socket 1"	80861	3/4" Drive 12 Point Standard SAE Socket 2"
80834	3/4" Drive 12 Point Standard SAE Socket 1-1/16"	80862	3/4" Drive 12 Point Standard SAE Socket 2-1/8"
80835D	3/4" Drive 12 Point Standard SAE Socket 1-1/8"	80863	3/4" Drive 12 Point Standard SAE Socket 2-3/16"
80838	3/4" Drive 12 Point Standard SAE Socket 1-3/16"	80864	3/4" Drive 12 Point Standard SAE Socket 2-1/4"
80839	3/4" Drive 12 Point Standard SAE Socket 1-1/4"	80865	3/4" Drive 12 Point Standard SAE Socket 2-3/8"
80840	3/4" Drive 12 Point Standard SAE Socket 1-5/16"		

### 13 Pc. 3/4" Drive 12 Point SAE Mechanics Tool Set

- 24 tooth full polish chrome quick-release ratchet
- Full polish chrome sockets with large hard-stamped size markings
- Knurled full polish chrome extensions
- Sockets feature off-corner loading design to reduce fastener rounding
- Includes metal box for storage and organization
- Meets or exceeds ASME specifications



Cat. No.	Included Storage	Product Weight
80879	Metal Box	18.8 lb

Cat. No.	Description	Cat. No.	Description
81400	3/4" Drive 24 Tooth Quick Release Teardrop Ratchet 19-3/4"	80838	3/4" Drive 12 Point Standard SAE Socket 1-3/16"
81412	3/4" Drive Extension 8"	80839	3/4" Drive 12 Point Standard SAE Socket 1-1/4"
80830	3/4" Drive 12 Point Standard SAE Socket 7/8"	80840	3/4" Drive 12 Point Standard SAE Socket 1-5/16"
80831	3/4" Drive 12 Point Standard SAE Socket 15/16"	80841	3/4" Drive 12 Point Standard SAE Socket 1-3/8"
80833	3/4" Drive 12 Point Standard SAE Socket 1"	80852	3/4" Drive 12 Point Standard SAE Socket 1-7/16"
80834	3/4" Drive 12 Point Standard SAE Socket 1-1/16"	80854	3/4" Drive 12 Point Standard SAE Socket 1-1/2"
80835D	3/4" Drive 12 Point Standard SAE Socket 1-1/8"		

### 3/4" Drive 24 Tooth Quick Release Teardrop Ratchet

- 24 tooth teardrop shaped head with on/off switch allow even more access in tight spaces
- Quick release design allows for rapid socket removal
- Bright, full polish chrome finish easily wipes clean and resists corrosion
- Meets or exceeds ASME specifications



Cat. No.	Overall Length	Head Width	Head Thickness	Tooth Count	Repair Kit	Product Weight
81400	19.75 in	2.5 in	1.34 in	24	81499	5.20 lb

### 3/4" Drive 24 Tooth Quick Release Replacement Head

- 24 tooth teardrop shaped head with on/off switch allow even more access in tight spaces
- Quick release design allows for rapid socket removal
- Bright, full polish chrome finish easily wipes clean and resists corrosion
- Meets or exceeds ASME specifications



Cat. No.	Overall Length	Head Width	Head Thickness	Fits Product Number	Tooth Count	Repair Kit	Product Weight
81402	6.1 in	2.5 in	1.34 in	81403	24	81499	2.74 lb

### 3/4" Drive Knurled Chrome Replacement Handle

- For use with 81402, 3/4" drive ratchet head
- Detent pin secures handle to ratchet head
- Knurled handle for improved grip
- Bright, full polish chrome finish easily wipes clean and resists corrosion



Cat. No.	Overall Length	Fits Product Number	Product Weight
81403	36 in	81400 81402	6 lb

### 3/4" Drive 43 Tooth Round Head Ratchet

- 43 tooth reversing gear
- 20" long handle for improved reach, leverage and torque
- Drop-forged, single-piece design
- Features a knurled grip, providing a non slip surface
- Round-shaped head
- Bright, full polish chrome finish easily wipes clean and resists corrosion
- Ball detent for secure socket retention
- Meets or exceeds ASME specifications



Cat. No.	Overall Length	Head Width	Head Thickness	Tooth Count	Product Weight
88800	19.685 in	2.717 in	2.283 in	43	4.980 lb

### 3/4" Drive Quick Release Ratchet Repair Kit

- For non-quick release and non-roto ratchets



Cat. No.	Description	Fits Product Number	Tooth Count	Product Weight
81499	3/4" Drive Ratchet Repair Kit	81400 81402	24	1.075 lb

### 3/4" Drive Flex Handle/Breaker Bar

- Ergonomic handle for reduced user fatigue
- 180° flex tang for greater access
- Ball detent for secure socket retention
- 19" overall length
- Bright, full polish chrome finish easily wipes clean and resists corrosion
- Meets or exceeds ASME specifications



Cat. No.	Overall Length	Product Weight
81404	19 in	4.07 lb

### 3/4" Drive Sliding T-Handle

- Fixed stop on one end, pin detent on the opposite end
- Ball detent for secure socket retention
- Bright, full polish chrome finish easily wipes clean and resists corrosion
- Meets or exceeds ASME specifications



Cat. No.	Overall Length	Product Weight
81401	18 in	3.07 lb

### 3/4" Drive Extensions

- Ball detent for secure socket retention
- Knurled grip provides a nonslip surface
- Hard stamped size markings
- Bright, full polish chrome finish easily wipes clean and resists corrosion



Cat. No.	Overall Length	Wobble	Product Weight
81411	5 in	No	1.10 lb
81412	8 in	No	2.00 lb
81413	16 in	No	2.58 lb

### 3/4" Drive Universal Joint

- Universal joint allows for greater access
- Ball detent securely holds socket to the adapter
- Bright, full polish chrome finish easily wipes clean and resists corrosion
- Meets or exceeds ASME specifications



Cat. No.	Overall Length	Product Weight
81405	4.21 in	1.31 lb

### 3/4" Drive Adapters

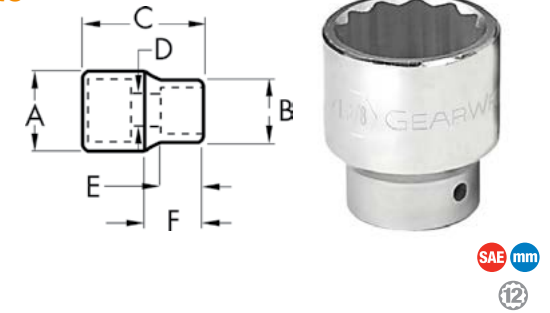
- Ball detent for secure socket retention
- Bright, full polish chrome finish easily wipes clean and resists corrosion
- Meets or exceeds ASME specifications



Cat. No.	Overall Length	Female Drive Size	Male Drive Size	Product Weight
81406	2.09 in	3/4"	1/2"	0.390 lb
81407	2.44 in	3/4"	1"	0.790 lb

### 3/4" Drive 12 Point Standard Length Sockets

- Off-corner loading design reduces fastener rounding
- Chamfered opening quickly guides fasteners into socket
- Hard stamped size markings
- Double line (SAE) and knurled (metric) ring help easily identify standard and metric sockets
- Bright, full polish chrome finish easily wipes clean and resists corrosion
- Meets or exceeds ASME specifications



Cat. No.	SAE/Metric	Fastener Size	Dim. A: Drive End	Dim. B: Wrench End	Dim. C: Overall Length	Dim. D: Bolt Clearance	Dim. E: Wrench Depth	Dim. F: Length to Shoulder	Product Weight
80866	SAE	3/4 in	1.26 in	1.06 in	1.95 in	0.67 in	0.67 in	0.77 in	0.352 lb
80867	SAE	13/16 in	1.26 in	1.18 in	1.95 in	0.71 in	0.67 in	0.77 in	0.332 lb
80830	SAE	7/8 in	1.417 in	1.268 in	1.969 in	-	0.551 in	0.866 in	0.462 lb
80831	SAE	15/16 in	1.417 in	1.346 in	2.008 in	-	0.630 in	0.866 in	0.484 lb
80833	SAE	1 in	1.417 in	1.457 in	2.047 in	-	0.630 in	1.181 in	0.484 lb
80834	SAE	1-1/16 in	1.417 in	1.496 in	2.047 in	-	0.866 in	1.181 in	0.484 lb
80835D	SAE	1-1/8 in	1.496 in	1.575 in	2.047 in	-	0.866 in	1.181 in	0.550 lb
80838	SAE	1-3/16 in	1.496 in	1.654 in	2.126 in	-	0.945 in	1.260 in	0.594 lb
80839	SAE	1-1/4 in	1.496 in	1.732 in	2.205 in	-	0.945 in	1.299 in	0.638 lb
80840	SAE	1-5/16 in	1.496 in	1.811 in	2.205 in	-	1.024 in	1.299 in	0.682 lb
80841	SAE	1-3/8 in	1.654 in	1.890 in	2.283 in	-	1.024 in	1.378 in	0.814 lb
80852	SAE	1-7/16 in	1.654 in	1.969 in	2.283 in	-	1.102 in	1.378 in	0.858 lb
80854	SAE	1-1/2 in	1.772 in	2.047 in	2.362 in	-	1.102 in	1.417 in	0.990 lb
80876	SAE	1-9/16 in	1.65 in	2.13 in	2.48 in	1.03 in	1.10 in	1.46 in	1.122 lb
80855D	SAE	1-5/8 in	1.772 in	2.205 in	2.520 in	-	1.181 in	1.575 in	1.166 lb
80856	SAE	1-11/16 in	1.772 in	2.283 in	2.559 in	-	1.260 in	1.535 in	1.210 lb
80857	SAE	1-3/4 in	1.890 in	2.362 in	2.598 in	-	1.260 in	1.575 in	1.320 lb
80859	SAE	1-13/16 in	1.850 in	2.441 in	2.677 in	-	1.339 in	1.575 in	1.430 lb
80860	SAE	1-7/8 in	1.890 in	2.520 in	2.756 in	-	1.339 in	1.654 in	1.540 lb
80861	SAE	2 in	1.890 in	2.677 in	2.835 in	-	1.417 in	1.654 in	1.628 lb
80877	SAE	2-1/16 in	1.89 in	2.72 in	2.95 in	1.41 in	1.65 in	1.97 in	1.850 lb
80862	SAE	2-1/8 in	1.890 in	2.835 in	2.913 in	-	1.496 in	1.732 in	1.804 lb
80863	SAE	2-3/16 in	1.890 in	2.913 in	2.992 in	-	1.496 in	1.772 in	1.914 lb
80864	SAE	2-1/4 in	1.890 in	2.992 in	2.992 in	-	1.575 in	1.772 in	2.024 lb
80878	SAE	2-5/16 in	2.13 in	3.07 in	3.07 in	1.53 in	1.65 in	2.05 in	2.609 lb
80865	SAE	2-3/8 in	1.890 in	3.150 in	3.071 in	-	1.575 in	1.811 in	2.200 lb
82460	Metric	19 mm	1.26 in	1.06 in	1.97 in	0.67 in	0.59 in	0.79 in	0.352 lb
82461	Metric	20 mm	1.26 in	1.10 in	1.97 in	0.67 in	0.59 in	0.79 in	0.365 lb
82462	Metric	21 mm	1.26 in	1.26 in	1.97 in	0.67 in	0.59 in	0.79 in	0.378 lb
82463	Metric	22 mm	1.42 in	1.30 in	1.97 in	0.72 in	0.59 in	0.79 in	0.488 lb
82464	Metric	23 mm	1.42 in	1.34 in	1.97 in	0.72 in	0.59 in	0.79 in	0.506 lb
82465	Metric	24 mm	1.42 in	1.38 in	1.97 in	0.72 in	0.59 in	0.79 in	1.113 lb
82466	Metric	25 mm	1.42 in	1.42 in	1.97 in	0.72 in	0.63 in	0.79 in	0.517 lb
82467	Metric	26 mm	1.42 in	1.46 in	1.97 in	0.80 in	0.67 in	1.26 in	0.484 lb
82468	Metric	27 mm	1.42 in	1.50 in	2.05 in	0.80 in	0.94 in	1.26 in	0.506 lb

Continued on next page

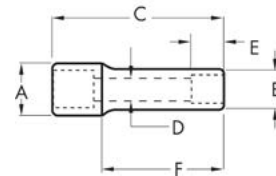


**3/4" Drive 12 Point Standard Length Sockets** ■ Continued from previous page

Cat. No.	SAE/Metric	Fastener Size	Dim. A: Drive End	Dim. B: Wrench End	Dim. C: Overall Length	Dim. D: Bolt Clearance	Dim. E: Wrench Depth	Dim. F: Length to Shoulder	Product Weight
82469	Metric	28 mm	1.42 in	1.54 in	2.05 in	0.80 in	0.94 in	1.26 in	0.506 lb
82470	Metric	29 mm	1.42 in	1.57 in	2.05 in	0.80 in	0.94 in	1.26 in	0.508 lb
82471	Metric	30 mm	1.50 in	1.65 in	2.13 in	0.88 in	0.94 in	1.34 in	0.645 lb
82472	Metric	32 mm	1.50 in	1.73 in	2.20 in	0.96 in	1.02 in	1.34 in	0.682 lb
82473	Metric	35 mm	1.65 in	1.89 in	2.36 in	0.96 in	1.02 in	1.34 in	0.854 lb
82474	Metric	36 mm	1.65 in	1.97 in	2.36 in	1.08 in	1.10 in	1.50 in	0.946 lb
82475	Metric	38 mm	1.65 in	2.05 in	2.48 in	1.08 in	1.14 in	1.57 in	1.034 lb
82476	Metric	41 mm	1.89 in	2.20 in	2.64 in	1.20 in	1.30 in	1.73 in	1.320 lb
82477	Metric	42 mm	1.89 in	2.24 in	2.64 in	1.22 in	1.30 in	1.73 in	1.393 lb
82478	Metric	46 mm	1.89 in	2.44 in	2.76 in	1.32 in	1.50 in	1.85 in	1.474 lb
82479	Metric	50 mm	1.89 in	2.68 in	2.95 in	1.44 in	1.61 in	1.97 in	1.877 lb
82480	Metric	54 mm	2.13 in	2.83 in	2.95 in	1.56 in	1.61 in	1.97 in	2.033 lb
82481	Metric	55 mm	2.13 in	2.83 in	3.03 in	1.56 in	1.61 in	1.97 in	2.493 lb
82482	Metric	58 mm	2.13 in	3.03 in	3.03 in	1.56 in	1.61 in	1.97 in	2.508 lb
82483	Metric	60 mm	2.13 in	3.07 in	3.07 in	1.56 in	1.61 in	1.97 in	2.464 lb

**3/4" Drive 6 Point Deep Length Sockets**

- Off-corner loading design reduces fastener rounding
- Chamfered opening quickly guides fasteners into socket
- Hard stamped size markings
- Double line (SAE) and knurled (metric) ring help easily identify standard and metric sockets
- Bright, full polish chrome finish easily wipes clean and resists corrosion
- Meets or exceeds ASME specifications



Cat. No.	SAE/Metric	Drive Type	Fastener Size	Dim. A: Drive End	Dim. B: Wrench End	Dim. C: Overall Length	Dim. D: Bolt Clearance	Dim. E: Wrench Depth	Dim. F: Length to Shoulder	Product Weight
82440	SAE	6 Point	7/8 in	1.42 in	1.30 in	3.39 in	0.71 in	0.51 in	2.20 in	0.783 lb
82441	SAE	6 Point	15/16 in	1.42 in	1.38 in	3.39 in	0.71 in	0.55 in	2.20 in	0.851 lb
82442	SAE	6 Point	1 in	1.42 in	1.46 in	3.54 in	0.71 in	0.55 in	2.36 in	0.924 lb
82443	SAE	6 Point	1-1/16 in	1.42 in	1.50 in	3.54 in	0.71 in	0.63 in	2.56 in	0.992 lb
82444	SAE	6 Point	1-1/8 in	1.42 in	1.57 in	3.54 in	0.79 in	0.67 in	2.56 in	1.058 lb
82445	SAE	6 Point	1-1/4 in	1.50 in	1.73 in	3.54 in	0.79 in	0.77 in	2.56 in	1.342 lb
82446	SAE	6 Point	1-5/16 in	1.50 in	1.85 in	3.54 in	0.91 in	0.79 in	2.56 in	1.459 lb
82447	SAE	6 Point	1-3/8 in	1.65 in	1.89 in	3.54 in	0.91 in	0.79 in	2.56 in	1.599 lb
82448	SAE	6 Point	1-7/16 in	1.65 in	1.97 in	3.54 in	0.91 in	0.87 in	2.56 in	1.720 lb
82449	SAE	6 Point	1-1/2 in	1.65 in	2.05 in	3.54 in	1.03 in	0.87 in	2.56 in	1.569 lb
82450	SAE	6 Point	1-5/8 in	1.89 in	2.20 in	3.54 in	1.03 in	1.00 in	2.56 in	1.936 lb
82485	Metric	6 Point	19 mm	1.26 in	1.06 in	3.39 in	0.67 in	0.49 in	2.20 in	0.590 lb
82486	Metric	6 Point	22 mm	1.42 in	1.30 in	3.39 in	0.71 in	0.49 in	2.20 in	0.818 lb
82487	Metric	6 Point	23 mm	1.42 in	1.34 in	3.39 in	0.72 in	0.51 in	2.20 in	0.818 lb

Cat. No.	SAE/Metric	Drive Type	Fastener Size	Dim. A: Drive End	Dim. B: Wrench End	Dim. C: Overall Length	Dim. D: Bolt Clearance	Dim. E: Wrench Depth	Dim. F: Length to Shoulder	Product Weight
82488	Metric	6 Point	24 mm	1.42 in	1.38 in	3.39 in	0.72 in	0.55 in	2.20 in	0.796 lb
82489	Metric	6 Point	27 mm	1.42 in	1.50 in	3.39 in	0.80 in	0.63 in	2.36 in	0.953 lb
82490	Metric	6 Point	30 mm	1.10 in	1.65 in	3.39 in	0.88 in	0.67 in	2.56 in	1.232 lb
82491	Metric	6 Point	32 mm	1.50 in	1.73 in	3.54 in	0.96 in	0.77 in	2.56 in	1.285 lb
82492	Metric	6 Point	35 mm	1.65 in	1.89 in	3.54 in	0.96 in	0.81 in	2.56 in	1.593 lb
82493	Metric	6 Point	36 mm	1.65 in	1.97 in	3.54 in	1.08 in	0.85 in	2.56 in	1.703 lb
82494	Metric	6 Point	38 mm	1.65 in	2.05 in	3.54 in	1.08 in	0.89 in	2.56 in	1.584 lb
82495	Metric	6 Point	41 mm	1.89 in	2.20 in	3.54 in	1.20 in	0.98 in	2.56 in	1.960 lb
82496	Metric	6 Point	46 mm	1.89 in	2.44 in	3.54 in	1.32 in	1.14 in	2.56 in	2.231 lb
82497	Metric	6 Point	50 mm	1.89 in	2.68 in	3.54 in	1.44 in	1.18 in	2.56 in	2.662 lb
82498	Metric	6 Point	55 mm	2.13 in	2.83 in	3.54 in	1.56 in	1.34 in	2.56 in	2.816 lb

**1" Drive Round Head Ratchet**

- 24 tooth reversing gear
- 26" long handle for improved reach, leverage and torque
- Drop-forged, single-piece design
- Features a knurled grip, providing a non slip surface
- Round-shaped head
- Bright, full polish chrome finish easily wipes clean and resists corrosion
- Ball detent for secure socket retention
- Meets or exceeds ASME specifications



Cat. No.	Overall Length	Head Width	Head Thickness	Tooth Count	Product Weight
81500	25.59 in	2.75 in	2.283 in	24	7.100 lb

**1" Drive Flex Handle/Breaker Bar**

- 180° flex tang provides greater access
- Knurled handle for an improved grip
- Bright, full polish chrome finish easily wipes clean and resists corrosion
- Pin detent for secure socket retention
- Meets or exceeds ASME specifications



Cat. No.	Overall Length	Product Weight
81510	27 in	7.895 lb

### 1" Drive Sliding T-Handle

- Fixed stop on one end, pin detent on the opposite end
- Pin detent for secure socket retention
- Bright, full polish chrome finish easily wipes clean and resists corrosion
- Meets or exceeds ASME specifications



Cat. No.	Overall Length	Product Weight
81507	22 in	7.28 lb

### 1" Drive Extensions

- Spring-loaded pin detent on male end with a hole for pin detent on female end
- Bright, full polish chrome finish easily wipes clean and resists corrosion
- Meets or exceeds ASME specifications



Cat. No.	Overall Length	Wobble	Product Weight
81505	8 in	No	2.47 lb
81506	16 in	No	4.23 lb

### 1" Drive Adapter

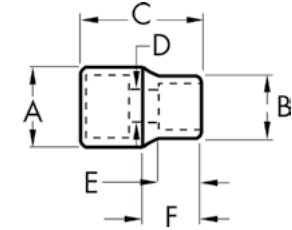
- Pin detent for secure socket retention
- Bright, full polish chrome finish easily wipes clean and resists corrosion
- Meets or exceeds ASME specifications



Cat. No.	Overall Length	Female Drive Size	Male Drive Size	Product Weight
81504	2.56 in	1"	3/4"	.89 lb

### 1" Drive 12 Point Standard Length Sockets

- Off-corner loading design reduces fastener rounding
- Chamfered opening quickly guides fasteners into socket
- Hard stamped size markings
- Double line (SAE) and knurled (metric) ring help easily identify standard and metric sockets
- Bright, full polish chrome finish easily wipes clean and resists corrosion
- Meets or exceeds ASME specifications



Cat. No.	Drive Type	Fastener Size	Dim. A: Drive End	Dim. B: Wrench End	Dim. C: Overall Length	Dim. D: Bolt Clearance	Dim. E: Wrench Depth	Dim. F: Length to Shoulder	Product Weight
83400	12 Point	1-1/16 in	1.73 in	1.61 in	2.44 in	0.78 in	0.75 in	1.57 in	0.814 lb
83401	12 Point	1-1/8 in	1.73 in	1.65 in	2.44 in	0.91 in	0.79 in	1.57 in	0.823 lb
83402	12 Point	1-1/4 in	1.73 in	1.85 in	2.56 in	0.91 in	0.91 in	1.57 in	0.942 lb
83403	12 Point	1-5/16 in	1.73 in	1.89 in	2.56 in	0.91 in	0.94 in	1.57 in	1.021 lb
83404	12 Point	1-3/8 in	1.73 in	1.93 in	2.56 in	0.91 in	0.94 in	1.57 in	1.027 lb
83405	12 Point	1-7/16 in	1.89 in	2.01 in	2.76 in	0.91 in	1.10 in	1.77 in	1.085 lb
83406	12 Point	1-1/2 in	1.89 in	2.13 in	2.76 in	1.03 in	1.42 in	1.77 in	3.487 lb
83407	12 Point	1-5/8 in	1.89 in	2.24 in	2.95 in	1.03 in	1.50 in	1.77 in	1.408 lb
83408	12 Point	1-11/16 in	1.97 in	2.36 in	2.95 in	1.16 in	1.50 in	1.77 in	1.606 lb
83409	12 Point	1-3/4 in	1.97 in	2.48 in	3.03 in	1.16 in	1.46 in	1.85 in	1.782 lb
83410	12 Point	1-13/16 in	1.97 in	2.56 in	3.03 in	1.16 in	1.46 in	1.85 in	1.817 lb
83411	12 Point	1-7/8 in	2.13 in	2.64 in	3.03 in	1.28 in	1.46 in	1.85 in	2.231 lb
83412	12 Point	2 in	2.13 in	2.76 in	3.03 in	1.28 in	1.46 in	1.85 in	2.270 lb
83413	12 Point	2-1/8 in	2.13 in	2.91 in	3.15 in	1.28 in	1.57 in	1.97 in	2.543 lb
83414	12 Point	2-3/16 in	2.13 in	2.99 in	3.15 in	1.41 in	1.57 in	1.97 in	2.662 lb
83415	12 Point	2-1/4 in	2.13 in	3.07 in	3.15 in	1.53 in	1.57 in	1.97 in	2.768 lb
83416	12 Point	2-3/8 in	2.13 in	3.23 in	3.31 in	1.53 in	1.65 in	2.05 in	3.164 lb
83417	12 Point	2-1/2 in	2.13 in	3.39 in	3.43 in	1.53 in	1.65 in	2.05 in	3.454 lb
83418	12 Point	2-9/16 in	2.13 in	3.46 in	3.54 in	1.66 in	1.69 in	2.17 in	2.504 lb
83419	12 Point	2-5/8 in	2.13 in	3.54 in	3.54 in	1.78 in	1.69 in	2.17 in	3.835 lb
83420	12 Point	2-3/4 in	2.68 in	3.70 in	3.54 in	1.78 in	1.85 in	2.17 in	4.642 lb
83421	12 Point	2-15/16 in	2.68 in	3.94 in	3.66 in	1.91 in	1.85 in	2.28 in	5.170 lb
83422	12 Point	3 in	2.68 in	4.02 in	3.74 in	2.03 in	2.13 in	2.36 in	5.320 lb
83423	12 Point	3-1/8 in	2.68 in	4.13 in	4.06 in	2.03 in	2.13 in	2.64 in	5.795 lb
83424	12 Point	3-1/2 in	2.68 in	4.53 in	4.33 in	2.28 in	2.28 in	2.76 in	6.732 lb

### 46 Pc. 1/4" and 3/8" Drive 6 Point SAE/Metric Pass-Thru™ Mechanics Tool Set

- Up to 50% thinner head profile than conventional ratchet systems
- 5° ratcheting arc
- Built up to 40% stronger than traditional ratchets by eliminating the drive tang
- Dual material comfort grip handle
- Pass-Thru™ ratchet and socket system eliminates the need for deep sockets
- Includes blow mold case for storage and organization
- Meets or exceeds ASME specifications



Cat. No.	Included Storage	Product Weight
8946	Blow Mold Case	5.260 lb

Cat. No.	Description	Cat. No.	Description
-	1/4" Drive Pass-Thru™ Ratchet	522080GR	1/4" Drive Pass-Thru™ 6 Point Standard Metric Socket 8mm
-	3/8" Drive Pass-Thru™ Ratchet	522090GR	1/4" Drive Pass-Thru™ 6 Point Standard Metric Socket 9mm
221060GR	1/4" Drive Pass-Thru™ Extension 3"	522100GR	1/4" Drive Pass-Thru™ 6 Point Standard Metric Socket 10mm
231060GR	3/8" Drive Pass-Thru™ Extension 3"	522110GR	1/4" Drive Pass-Thru™ 6 Point Standard Metric Socket 11mm
231061GR	1/4" Drive Pass-Thru™ Quick-Release Adapter	522120GR	1/4" Drive Pass-Thru™ 6 Point Standard Metric Socket 12mm
231062GR	3/8" Drive Pass-Thru™ Quick-Release Adapter	522130GR	1/4" Drive Pass-Thru™ 6 Point Standard Metric Socket 13mm
-	1/2" Drive Pass-Thru™ Quick-Release Adapter	132120GR	3/8" Drive Pass-Thru™ 6 Point Standard SAE Socket 3/8"
122050GR	1/4" Drive Pass-Thru™ 6 Point Standard SAE Socket 5/32"	132140GR	3/8" Drive Pass-Thru™ 6 Point Standard SAE Socket 7/16"
122060GR	1/4" Drive Pass-Thru™ 6 Point Standard SAE Socket 3/16"	132160GR	3/8" Drive Pass-Thru™ 6 Point Standard SAE Socket 1/2"
122070GR	1/4" Drive Pass-Thru™ 6 Point Standard SAE Socket 7/32"	132180GR	3/8" Drive Pass-Thru™ 6 Point Standard SAE Socket 9/16"
122080GR	1/4" Drive Pass-Thru™ 6 Point Standard SAE Socket 1/4"	132200GR	3/8" Drive Pass-Thru™ 6 Point Standard SAE Socket 5/8"
122090GR	1/4" Drive Pass-Thru™ 6 Point Standard SAE Socket 9/32"	132220GR	3/8" Drive Pass-Thru™ 6 Point Standard SAE Socket 11/16"
122100GR	1/4" Drive Pass-Thru™ 6 Point Standard SAE Socket 5/16"	132240GR	3/8" Drive Pass-Thru™ 6 Point Standard SAE Socket 3/4"
122120GR	1/4" Drive Pass-Thru™ 6 Point Standard SAE Socket 3/8"	532100GR	3/8" Drive Pass-Thru™ 6 Point Standard Metric Socket 10mm
122140GR	1/4" Drive Pass-Thru™ 6 Point Standard SAE Socket 7/16"	532110GR	3/8" Drive Pass-Thru™ 6 Point Standard Metric Socket 11mm
122160GR	1/4" Drive Pass-Thru™ 6 Point Standard SAE Socket 1/2"	532120GR	3/8" Drive Pass-Thru™ 6 Point Standard Metric Socket 12mm
522350GR	1/4" Drive Pass-Thru™ 6 Point Standard Metric Socket 3.5mm	532130GR	3/8" Drive Pass-Thru™ 6 Point Standard Metric Socket 13mm
522040GR	1/4" Drive Pass-Thru™ 6 Point Standard Metric Socket 4mm	532140GR	3/8" Drive Pass-Thru™ 6 Point Standard Metric Socket 14mm
522450GR	1/4" Drive Pass-Thru™ 6 Point Standard Metric Socket 4.5mm	532150GR	3/8" Drive Pass-Thru™ 6 Point Standard Metric Socket 15mm
522550GR	1/4" Drive Pass-Thru™ 6 Point Standard Metric Socket 5.5mm	532160GR	3/8" Drive Pass-Thru™ 6 Point Standard Metric Socket 16mm
522050GR	1/4" Drive Pass-Thru™ 6 Point Standard Metric Socket 5mm	532170GR	3/8" Drive Pass-Thru™ 6 Point Standard Metric Socket 17mm
522060GR	1/4" Drive Pass-Thru™ 6 Point Standard Metric Socket 6mm	532180GR	3/8" Drive Pass-Thru™ 6 Point Standard Metric Socket 18mm
522070GR	1/4" Drive Pass-Thru™ 6 Point Standard Metric Socket 7mm	532190GR	3/8" Drive Pass-Thru™ 6 Point Standard Metric Socket 19mm

### 39 Pc. 1/4" and 3/8" Drive Pass-Thru™ Bit Socket Set

- Socket system features the Pass-Thru™ drive system that links drive tools and sockets
- Set includes hex, Torx®, Phillips® and slotted bit sockets
- Broached for use with 1/4" and 3/8" conventional square drive ratchets
- Reach fasteners in tight spaces with ease
- Bits made of S2 steel for strength and durability
- Bright, full polish chrome finish easily wipes clean and resists corrosion
- Hard stamped size markings
- Includes blow mold case for storage and organization



Cat. No.	Included Storage	Product Weight
890040	Blow Mold Case	3.671 lb



Cat. No.	Description	Cat. No.	Description
89014	1/4" Drive Pass-Thru™ Hex Bit SAE Socket 1/16"	89013D	1/4" Drive Pass-Thru™ Torx® Bit Socket T30
89015	1/4" Drive Pass-Thru™ Hex Bit SAE Socket 5/64"	89027	3/8" Drive Pass-Thru™ Hex Bit SAE Socket 9/64"
89016	1/4" Drive Pass-Thru™ Hex Bit SAE Socket 3/32"	89028	3/8" Drive Pass-Thru™ Hex Bit SAE Socket 5/32"
89017	1/4" Drive Pass-Thru™ Hex Bit SAE Socket 7/64"	89029	3/8" Drive Pass-Thru™ Hex Bit SAE Socket 3/16"
89018	1/4" Drive Pass-Thru™ Hex Bit SAE Socket 1/8"	89030	3/8" Drive Pass-Thru™ Hex Bit SAE Socket 7/32"
89019	1/4" Drive Pass-Thru™ Hex Bit Metric Socket 2mm	89031	3/8" Drive Pass-Thru™ Hex Bit SAE Socket 1/4"
89020	1/4" Drive Pass-Thru™ Hex Bit Metric Socket 2.5mm	89032	3/8" Drive Pass-Thru™ Hex Bit SAE Socket 5/16"
89021	1/4" Drive Pass-Thru™ Hex Bit Metric Socket 3mm	89033	3/8" Drive Pass-Thru™ Hex Bit SAE Socket 3/8"
89001D	1/4" Drive Pass-Thru™ Phillips® Bit Socket #1	89034	3/8" Drive Pass-Thru™ Hex Bit Metric Socket 4mm
89002D	1/4" Drive Pass-Thru™ Phillips® Bit Socket #2	89035	3/8" Drive Pass-Thru™ Hex Bit Metric Socket 5mm
89003	1/4" Drive Pass-Thru™ Phillips® Bit Socket #3	89036	33/8" Drive Pass-Thru™ Hex Bit Metric Socket 6mm
89004	1/4" Drive Pass-Thru™ Slotted Bit Socket 1/8"	89037	3/8" Drive Pass-Thru™ Hex Bit Metric Socket 7mm
89005	1/4" Drive Pass-Thru™ Slotted Bit Socket 3/16"	89038	33/8" Drive Pass-Thru™ Hex Bit Metric Socket 8mm
89006	1/4" Drive Pass-Thru™ Slotted Bit Socket 1/4"	89039	3/8" Drive Pass-Thru™ Hex Bit Metric Socket 10mm
89007	1/4" Drive Pass-Thru™ Torx® Bit Socket T8	89022	33/8" Drive Pass-Thru™ Torx® Bit Socket T40
89008	1/4" Drive Pass-Thru™ Torx® Bit Socket T10	89023	3/8" Drive Pass-Thru™ Torx® Bit Socket T45
89009	1/4" Drive Pass-Thru™ Torx® Bit Socket T15	89024D	3/8" Drive Pass-Thru™ Torx® Bit Socket T47
89010	1/4" Drive Pass-Thru™ Torx® Bit Socket T20	89025D	3/8" Drive Pass-Thru™ Torx® Bit Socket T50
89011	1/4" Drive Pass-Thru™ Torx® Bit Socket T25	89026	3/8" Drive Pass-Thru™ Torx® Bit Socket T55
89012	1/4" Drive Pass-Thru™ Torx® Bit Socket T27		

### 27 Pc. 1/4" Drive 6 Point SAE/Metric Pass-Thru™ Mechanics Tool Set

- Up to 50% thinner head profile than conventional ratchet systems
- 5° ratcheting arc
- Built up to 40% stronger than traditional ratchets by eliminating the drive tang
- Pass-Thru™ ratchet and socket system eliminates the need for deep sockets
- 11 locking head positions
- Dual material comfort grip handle
- Includes blow mold case for storage and organization
- Meets or exceeds ASME specifications



Cat. No.	Included Storage	Product Weight
891427	Blow Mold Case	10.37 lb

Cat. No.	Description	Cat. No.	Description
891400	1/4" Drive Pass-Thru™ 72 Tooth XL Locking Flex Head Ratchet 6-1/2"	522350GR	1/4" Drive Pass-Thru™ 6 Point Standard Metric Socket 3.5mm
221060GR	1/4" Drive Pass-Thru™ Extension 3"	522040GR	1/4" Drive Pass-Thru™ 6 Point Standard Metric Socket 4mm
221080GR	1/4" Drive Pass-Thru™ Extension 6"	522450GR	1/4" Drive Pass-Thru™ 6 Point Standard Metric Socket 4.5mm
231061GR	1/4" Drive Pass-Thru™ Quick-Release Adapter	522050GR	1/4" Drive Pass-Thru™ 6 Point Standard Metric Socket 5mm
122050GR	1/4" Drive Pass-Thru™ 6 Point Standard SAE Socket 5/32"	522550GR	1/4" Drive Pass-Thru™ 6 Point Standard Metric Socket 5.5mm
122060GR	1/4" Drive Pass-Thru™ 6 Point Standard SAE Socket 3/16"	522060GR	1/4" Drive Pass-Thru™ 6 Point Standard Metric Socket 6mm
122070GR	1/4" Drive Pass-Thru™ 6 Point Standard SAE Socket 7/32"	522070GR	1/4" Drive Pass-Thru™ 6 Point Standard Metric Socket 7mm
122080GR	1/4" Drive Pass-Thru™ 6 Point Standard SAE Socket 1/4"	522080GR	1/4" Drive Pass-Thru™ 6 Point Standard Metric Socket 8mm
122090GR	1/4" Drive Pass-Thru™ 6 Point Standard SAE Socket 9/32"	522090GR	1/4" Drive Pass-Thru™ 6 Point Standard Metric Socket 9mm
122100GR	1/4" Drive Pass-Thru™ 6 Point Standard SAE Socket 5/16"	522100GR	1/4" Drive Pass-Thru™ 6 Point Standard Metric Socket 10mm
122120GR	1/4" Drive Pass-Thru™ 6 Point Standard SAE Socket 3/8"	522110GR	1/4" Drive Pass-Thru™ 6 Point Standard Metric Socket 11mm
122140GR	1/4" Drive Pass-Thru™ 6 Point Standard SAE Socket 7/16"	522120GR	1/4" Drive Pass-Thru™ 6 Point Standard Metric Socket 12mm
122160GR	1/4" Drive Pass-Thru™ 6 Point Standard SAE Socket 1/2"	522130GR	1/4" Drive Pass-Thru™ 6 Point Standard Metric Socket 13mm
122180GR	1/4" Drive Pass-Thru™ 6 Point Standard SAE Socket 9/16"		

### 23 Pc. 3/8" Drive 6 Point SAE/Metric Pass-Thru™ Mechanics Tool Set

- Up to 50% thinner head profile than conventional ratchet systems
- 5° ratcheting arc
- Built up to 40% stronger than traditional ratchets by eliminating the drive tang
- Pass-Thru™ ratchet and socket system eliminates the need for deep sockets
- 11 locking head positions
- Dual material comfort grip handle
- Includes blow mold case for storage and organization
- Meets or exceeds ASME specifications



Cat. No.	Included Storage	Product Weight
893823	Blow Mold Case	4.19 lb

Cat. No.	Description	Cat. No.	Description
893800	3/8" Drive Pass-Thru™ 72 Tooth XL Locking Flex Head Ratchet 12"	132280GR	3/8" Drive Pass-Thru™ 6 Point Standard SAE Socket 7/8"
231060GR	3/8" Drive Pass-Thru™ Extension 3"	532100GR	3/8" Drive Pass-Thru™ 6 Point Standard Metric Socket 10mm
231080GR	3/8" Drive Pass-Thru™ Extension 6"	532110GR	3/8" Drive Pass-Thru™ 6 Point Standard Metric Socket 11mm
231062GR	3/8" Drive Pass-Thru™ Quick-Release Adapter	532120GR	3/8" Drive Pass-Thru™ 6 Point Standard Metric Socket 12mm
132120GR	3/8" Drive Pass-Thru™ 6 Point Standard SAE Socket 3/8"	532130GR	3/8" Drive Pass-Thru™ 6 Point Standard Metric Socket 13mm
132140GR	3/8" Drive Pass-Thru™ 6 Point Standard SAE Socket 7/16"	532140GR	3/8" Drive Pass-Thru™ 6 Point Standard Metric Socket 14mm
132160GR	3/8" Drive Pass-Thru™ 6 Point Standard SAE Socket 1/2"	532150GR	3/8" Drive Pass-Thru™ 6 Point Standard Metric Socket 15mm
132180GR	3/8" Drive Pass-Thru™ 6 Point Standard SAE Socket 9/16"	532160GR	3/8" Drive Pass-Thru™ 6 Point Standard Metric Socket 16mm
132200GR	3/8" Drive Pass-Thru™ 6 Point Standard SAE Socket 5/8"	532170GR	3/8" Drive Pass-Thru™ 6 Point Standard Metric Socket 17mm
132220GR	3/8" Drive Pass-Thru™ 6 Point Standard SAE Socket 11/16"	532180GR	3/8" Drive Pass-Thru™ 6 Point Standard Metric Socket 18mm
132240GR	3/8" Drive Pass-Thru™ 6 Point Standard SAE Socket 3/4"	532190GR	3/8" Drive Pass-Thru™ 6 Point Standard Metric Socket 19mm
132260GR	3/8" Drive Pass-Thru™ 6 Point Standard SAE Socket 13/16"		



### 21 Pc. 3/8" Drive 6 Point SAE/Metric Pass-Thru™ Mechanics Tool Set

- Up to 50% thinner head profile than conventional ratchet systems
- 5° ratcheting arc
- Built up to 40% stronger than traditional ratchets by eliminating the drive tang
- Dual material comfort grip handle
- Pass-Thru™ ratchet and socket system eliminates the need for deep sockets
- Includes blow mold case for storage and organization
- Meets or exceeds ASME specifications



Cat. No.	Included Storage	Product Weight
8921	Blow Mold Case	3.300 lb



Cat. No.	Description	Cat. No.	Description
235080GR	3/8" Drive Pass-Thru™ 72 Tooth Ratchet 8"	532100GR	3/8" Drive Pass-Thru™ 6 Point Standard Metric Socket 10mm
231060GR	3/8" Drive Pass-Thru™ Extension 3"	532110GR	3/8" Drive Pass-Thru™ 6 Point Standard Metric Socket 11mm
231062GR	3/8" Drive Pass-Thru™ Quick-Release Adapter	532120GR	3/8" Drive Pass-Thru™ 6 Point Standard Metric Socket 12mm
-	3/8" - 1/4" Drive Pass-Thru™ Quick-Release Adapter	532130GR	3/8" Drive Pass-Thru™ 6 Point Standard Metric Socket 13mm
132120GR	3/8" Drive Pass-Thru™ 6 Point Standard SAE Socket 3/8"	532140GR	3/8" Drive Pass-Thru™ 6 Point Standard Metric Socket 14mm
132140GR	3/8" Drive Pass-Thru™ 6 Point Standard SAE Socket 7/16"	532150GR	3/8" Drive Pass-Thru™ 6 Point Standard Metric Socket 15mm
132160GR	3/8" Drive Pass-Thru™ 6 Point Standard SAE Socket 1/2"	532160GR	3/8" Drive Pass-Thru™ 6 Point Standard Metric Socket 16mm
132180GR	3/8" Drive Pass-Thru™ 6 Point Standard SAE Socket 9/16"	532170GR	3/8" Drive Pass-Thru™ 6 Point Standard Metric Socket 17mm
132200GR	3/8" Drive Pass-Thru™ 6 Point Standard SAE Socket 5/8"	532180GR	3/8" Drive Pass-Thru™ 6 Point Standard Metric Socket 18mm
132220GR	3/8" Drive Pass-Thru™ 6 Point Standard SAE Socket 11/16"	532190GR	3/8" Drive Pass-Thru™ 6 Point Standard Metric Socket 19mm
132240GR	3/8" Drive Pass-Thru™ 6 Point Standard SAE Socket 3/4"		

### 1/4" Drive Pass-Thru™ 72 Tooth XL Locking Flex Head Ratchet

- Up to 50% thinner head profile than conventional ratchet systems
- 5° ratcheting arc
- Built up to 40% stronger than traditional ratchets by eliminating the drive tang
- Pass-Thru™ ratchet and socket system eliminates the need for deep sockets
- 11 locking head positions
- Dual material comfort grip handle
- Meets or exceeds ASME specifications



Cat. No.	Overall Length	Head Thickness	Tooth Count	Product Weight
891400	6.5 in	0.335 in	72	0.28 lb

### 1/4" Drive Pass-Thru™ Extensions

- Pass-Thru™ system eliminates the need for deep sockets
- Works with Pass-Thru™ gear ratchet
- Bright, full polish chrome finish easily wipes clean and resists corrosion



Cat. No.	Overall Length	Wobble	Product Weight
221060GR	3 in	No	0.08 lb
221080GR	6 in	No	0.16 lb

### 1/4" Drive Pass-Thru™ Quick Release Adapters

- Adapts Pass-Thru™ system for use with standard sockets
- Adapter features push-button for quick-release
- Bright, full polish chrome finish easily wipes clean and resists corrosion



Cat. No.	Overall Length	Male Drive Size	Product Weight
231061GR	0.89 in	1/4"	0.10 lb
231063GR	-	-	-

### 1/4" Drive 6 Point Pass-Thru™ Sockets

- Socket system features the Pass-Thru™ drive system that links drive tools and sockets
- Pass-Thru™ socket system eliminates the need for deep sockets
- Reach fasteners in tight spaces with ease
- Hard stamped size markings



Cat. No.	SAE/Metric	Drive Type	Fastener Size	Overall Length	Dim. A: Drive End	Dim. B: Wrench End	Product Weight
122050GR	SAE	6 Point	5/32 in	.98 in	0.496 in	0.236 in	0.019 lb
122060GR	SAE	6 Point	3/16 in	.98 in	0.496 in	0.272 in	0.019 lb
122070GR	SAE	6 Point	7/32 in	.98 in	0.496 in	0.311 in	0.02 lb
122080GR	SAE	6 Point	1/4 in	.98 in	0.496 in	0.374 in	0.022 lb
122090GR	SAE	6 Point	9/32 in	1.02 in	0.496 in	0.409 in	0.023 lb
122100GR	SAE	6 Point	5/16 in	1.02 in	0.496 in	0.453 in	0.24 lb
122120GR	SAE	6 Point	3/8 in	1.02 in	0.496 in	0.528 in	0.024 lb
122140GR	SAE	6 Point	7/16 in	1.02 in	0.496 in	0.606 in	0.031 lb
122160GR	SAE	6 Point	1/2 in	1.02 in	0.496 in	0.685 in	0.036 lb
122180GR	SAE	6 Point	9/16 in	1.02 in	0.496 in	.768 in	0.037 lb
522350GR	Metric	6 Point	3.5 mm	.98 in	0.496 in	0.213 in	0.02 lb
522040GR	Metric	6 Point	4 mm	.98 in	0.496 in	0.236 in	0.02 lb
522450GR	Metric	6 Point	4.5 mm	.98 in	0.496 in	0.256 in	0.02 lb
522050GR	Metric	6 Point	5 mm	.98 in	0.496 in	0.283 in	0.02 lb
522550GR	Metric	6 Point	5.5 mm	.98 in	0.496 in	0.323 in	0.03 lb
522060GR	Metric	6 Point	6 mm	.98 in	0.496 in	0.374 in	0.02 lb
522070GR	Metric	6 Point	7 mm	.98 in	0.496 in	0.402 in	0.02 lb
522080GR	Metric	6 Point	8 mm	.98 in	0.496 in	0.453 in	0.02 lb
522090GR	Metric	6 Point	9 mm	1.02 in	0.496 in	0.496 in	0.03 lb
522100GR	Metric	6 Point	10 mm	1.02 in	0.496 in	0.559 in	0.03 lb
522110GR	Metric	6 Point	11 mm	1.02 in	0.496 in	0.606 in	0.04 lb
522120GR	Metric	6 Point	12 mm	1.02 in	0.496 in	0.654 in	0.35 lb
522130GR	Metric	6 Point	13 mm	1.02 in	0.496 in	0.697 in	0.04 lb

### 1/4" Drive Pass-Thru™ Bit Sockets

- Socket system features the Pass-Thru™ drive system that links drive tools and sockets
- Reach fasteners in tight spaces with ease
- S2 steel insert bits offer maximum strength
- Bright, full polish chrome finish easily wipes clean and resists corrosion
- Hard stamped size markings



Cat. No.	Drive Type	Fastener Size	Overall Length	Exposed Bit Length	Product Weight
89014	Hex	1/16 in	1.34 in	.36 in	0.033 lb
89015	Hex	5/64 in	1.34 in	.36 in	0.033 lb
89016	Hex	3/32 in	1.34 in	.36 in	0.033 lb
89017	Hex	7/64 in	1.34 in	.36 in	0.033 lb
89018	Hex	1/8 in	1.34 in	.36 in	0.033 lb
89019	Hex	2 mm	1.34 in	.36 in	0.033 lb
89020	Hex	2.5 mm	1.34 in	.36 in	0.033 lb
89021	Hex	3 mm	1.34 in	.36 in	0.033 lb
89001D	Phillips®	#1	1.34 in	.36 in	0.033 lb
89002D	Phillips®	#2	1.34 in	.36 in	0.033 lb
89003	Phillips®	#3	1.34 in	.36 in	0.033 lb
89004	Slotted	1/8 in	1.34 in	.36 in	0.033 lb
89005	Slotted	3/16 in	1.34 in	.36 in	0.033 lb
89006	Slotted	1/4 in	1.34 in	.36 in	0.033 lb
89007	Torx®	T8	1.34 in	.36 in	0.033 lb
89008	Torx®	T10	1.34 in	.36 in	0.033 lb
89009	Torx®	T15	1.34 in	.36 in	0.033 lb
89010	Torx®	T20	1.34 in	.36 in	0.033 lb
89011	Torx®	T25	1.34 in	.36 in	0.033 lb
89012	Torx®	T27	1.34 in	.36 in	0.033 lb
89013D	Torx®	T30	1.34 in	.36 in	0.033 lb

### 3/8" Drive Pass-Thru™ 72 Tooth XL Locking Flex Head Ratchet

- Up to 50% thinner head profile than conventional ratchet systems
- 5° ratcheting arc
- Built up to 40% stronger than traditional ratchets by eliminating the drive tang
- Pass-Thru™ ratchet and socket system eliminates the need for deep sockets
- 11 locking head positions
- Dual material comfort grip handle
- Meets or exceeds ASME specifications



Cat. No.	Overall Length	Head Thickness	Tooth Count	Product Weight
893800	12 in	0.453 in	72	0.93 lb

### 3/8" Drive Pass-Thru™ 72 Tooth Ratchet

- Up to 50% thinner head profile than conventional ratchet systems
- 5° ratcheting arc
- Built up to 40% stronger than traditional ratchets by eliminating the drive tang
- Dual material comfort grip handle
- Pass-Thru™ ratchet and socket system eliminates the need for deep sockets
- Meets or exceeds ASME specifications



Cat. No.	Overall Length	Head Width	Head Thickness	Tooth Count	Product Weight
235080GR	8 in	1.5 in	.453 in	72	0.551 lb

### 3/8" Drive Pass-Thru™ Extensions

- Pass-Thru™ system eliminates the need for deep sockets
- Works with Pass-Thru™ GearRatchet™ system
- Bright, full polish chrome finish easily wipes clean and resists corrosion



Cat. No.	Overall Length	Wobble	Product Weight
231060GR	3 in	No	0.25 lb
231080GR	6 in	No	0.36 lb

### 3/8" Drive Pass-Thru™ Quick Release Adapter

- Adapter converts Pass-Thru™ ratchet into a standard ratchet for use with all standard sockets
- Adapter has push button quick release
- Bright, full polish chrome finish easily wipes clean and resists corrosion
- Enables a 3/8" Pass-Thru™ ratchet to use standard 3/8" sockets



Cat. No.	Overall Length	Male Drive Size	Product Weight
231062GR	1.17 in	3/8"	0.10 lb

### 3/8" Drive 6 Point Pass-Thru™ Sockets

- Socket system features the Pass-Thru™ drive system that links drive tools and sockets
- Pass-Thru™ socket system eliminates the need for deep sockets
- Reach fasteners in tight spaces with ease
- Hard stamped size markings



Cat. No.	SAE/Metric	Drive Type	Fastener Size	Dim. A: Drive End	Dim. B: Nose Diameter	Dim. C: Overall Length	Product Weight
132120GR	SAE	6 Point	3/8 in	0.768 in	0.528 in	1.26 in	0.055 lb
132140GR	SAE	6 Point	7/16 in	0.768 in	0.606 in	1.26 in	0.055 lb
132160GR	SAE	6 Point	1/2 in	0.768 in	0.685 in	1.26 in	0.055 lb
132180GR	SAE	6 Point	9/16 in	0.768 in	0.756 in	1.26 in	0.066 lb
132200GR	SAE	6 Point	5/8 in	0.768 in	0.831 in	1.26 in	0.066 lb
132220GR	SAE	6 Point	11/16 in	0.768 in	0.902 in	1.26 in	0.066 lb
132240GR	SAE	6 Point	3/4 in	0.768 in	0.976 in	1.30 in	0.077 lb
132260GR	SAE	6 Point	13/16 in	0.768 in	1.085 in	1.38 in	0.088 lb
132280GR	SAE	6 Point	7/8 in	0.768 in	1.175 in	1.38 in	0.088 lb
532100GR	Metric	6 Point	10 mm	0.768 in	0.587 in	1.26 in	0.055 lb
532110GR	Metric	6 Point	11 mm	0.768 in	0.606 in	1.26 in	0.055 lb
532120GR	Metric	6 Point	12 mm	0.768 in	0.654 in	1.26 in	0.055 lb
532130GR	Metric	6 Point	13 mm	0.768 in	0.697 in	1.26 in	0.055 lb
532140GR	Metric	6 Point	14 mm	0.768 in	0.744 in	1.26 in	0.059 lb
532150GR	Metric	6 Point	15 mm	0.768 in	0.791 in	1.26 in	0.059 lb
532160GR	Metric	6 Point	16 mm	0.768 in	0.835 in	1.26 in	0.066 lb
532170GR	Metric	6 Point	17 mm	0.768 in	0.882 in	1.26 in	0.066 lb
532180GR	Metric	6 Point	18 mm	0.768 in	0.929 in	1.26 in	0.07 lb
532190GR	Metric	6 Point	19 mm	0.768 in	0.976 in	1.3 in	0.077 lb

### 3/8" Drive Pass-Thru™ Bit Sockets

- Socket system features the Pass-Thru™ drive system that links drive tools and sockets
- Reach fasteners in tight spaces with ease
- S2 steel insert bits offer maximum strength
- Bright, full polish chrome finish easily wipes clean and resists corrosion
- Hard stamped size markings



Cat. No.	Drive Type	Fastener Size	Overall Length	Exposed Bit Length	Product Weight
89027	Hex	9/64 in	1.8 in	.72 in	0.128 lb
89028	Hex	5/32 in	1.8 in	.72 in	0.128 lb
89029	Hex	3/16 in	1.8 in	.72 in	0.132 lb
89030	Hex	7/32 in	1.8 in	.72 in	0.132 lb
89031	Hex	1/4 in	1.8 in	.72 in	0.143 lb
89032	Hex	5/16 in	1.8 in	.72 in	0.143 lb
89033	Hex	3/8 in	1.8 in	.72 in	0.143 lb
89034	Hex	4 mm	1.8 in	.72 in	0.128 lb
89035	Hex	5 mm	1.8 in	.72 in	0.128 lb
89036	Hex	6 mm	1.8 in	.72 in	0.132 lb
89037	Hex	7 mm	1.8 in	.72 in	0.143 lb
89038	Hex	8 mm	1.8 in	.72 in	0.143 lb
89039	Hex	10 mm	1.8 in	.72 in	0.143 lb
89022	Torx®	T40	1.8 in	.72 in	0.128 lb
89023	Torx®	T45	1.8 in	.72 in	0.132 lb
89024D	Torx®	T47	1.8 in	.72 in	0.132 lb
89025D	Torx®	T50	1.8 in	.72 in	0.142 lb
89026	Torx®	T55	1.8 in	.72 in	0.143 lb

RATCHETS, SOCKETS, AND DRIVE TOOLS

## WRENCHES

IMPACT

TORQUE WRENCHES

SCREWDRIVERS & NUTDRIVERS

PLIERS

CUTTING AND FILING

STRIKING AND STRUCK

PRY BARS

LIGHTING

AUTOMOTIVE SPECIALTY

TOOL STORAGE

MASTER SETS





### 16 Pc. 120XP™ Universal Spline SAE XL Combination Ratcheting Wrench Set

- 120XP™ wrenches have two double stacked 60-tooth pawls (120 positions) providing a 3° swing arc so you can turn fasteners in tighter confines
- Universal spline drive fits 12-point, 6-point, rounded 6-point, spline, External Torx® and square fasteners
- XL beam design is up to 25% longer than standard wrenches for improved reach, leverage, and torque
- Dual-direction off-corner loading for better grip and reduced fastener rounding
- Highly visible, recessed size markings are color coded for easy identification
- Reduced ratcheting box end diameter for improved access
- Manufactured from alloy steel for better strength and longer tool life
- Bright, full polish chrome finish easily wipes clean and resists corrosion
- Included rack for storage and organization

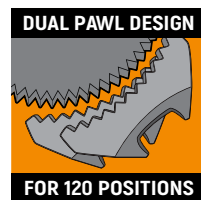


Cat. No.	Included Storage	Product Weight
86451	Wrench Rack	7.170 lb

Cat. No.	Description	Cat. No.	Description
86430	7/32" 120XP™ Universal Spline XL Ratcheting Combination Wrench	86438	9/16" 120XP™ Universal Spline XL Ratcheting Combination Wrench
86431	1/4" 120XP™ Universal Spline XL Ratcheting Combination Wrench	86439	5/8" 120XP™ Universal Spline XL Ratcheting Combination Wrench
86432	9/32" 120XP™ Universal Spline XL Ratcheting Combination Wrench	86440	11/16" 120XP™ Universal Spline XL Ratcheting Combination Wrench
86433	5/16" 120XP™ Universal Spline XL Ratcheting Combination Wrench	86441	3/4" 120XP™ Universal Spline XL Ratcheting Combination Wrench
86434	11/32" 120XP™ Universal Spline XL Ratcheting Combination Wrench	86442	13/16" 120XP™ Universal Spline XL Ratcheting Combination Wrench
86435	3/8" 120XP™ Universal Spline XL Ratcheting Combination Wrench	86443	7/8" 120XP™ Universal Spline XL Ratcheting Combination Wrench
86436	7/16" 120XP™ Universal Spline XL Ratcheting Combination Wrench	86444	15/16" 120XP™ Universal Spline XL Ratcheting Combination Wrench
86437	1/2" 120XP™ Universal Spline XL Ratcheting Combination Wrench	86445	1" 120XP™ Universal Spline XL Ratcheting Combination Wrench



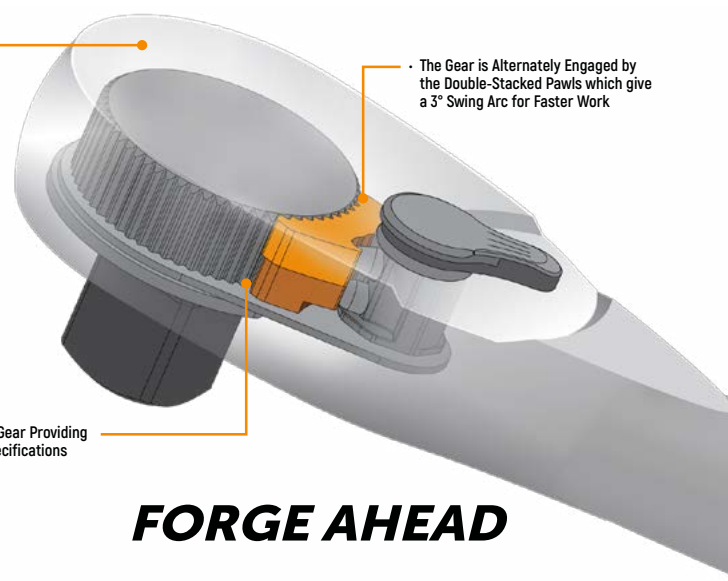
### Dual Pawl Ratchet Mechanism



- Teardrop Low Profile Head and Flush Mounted On/Off Switch Allow Better Access in Tight Spaces
- Enclosed Head Design for Extreme Resistance to Dirt Infiltration



- Double-Stacked Pawls Engage a 60-tooth Gear Providing Exceptional Strength, Exceeding ASME Specifications



**FORGE AHEAD**

### 11 Pc. 120XP™ Universal Spline SAE XL Combination Ratcheting Wrench Set

- 120XP™ wrenches have two double stacked 60-tooth pawls (120 positions) providing a 3° swing arc so you can turn fasteners in tighter confines
- Universal spline drive fits 12-point, 6-point, rounded 6-point, spline, External Torx® and square fasteners
- XL beam design is up to 25% longer than standard wrenches for improved reach, leverage, and torque
- Dual-direction off-corner loading for better grip and reduced fastener rounding
- Highly visible, recessed size markings are color coded for easy identification
- Reduced ratcheting box end diameter for improved access
- Manufactured from alloy steel for better strength and longer tool life
- Bright, full polish chrome finish easily wipes clean and resists corrosion
- Included rack for storage and organization



Cat. No.	Included Storage	Product Weight
86450	Wrench Rack	2.86 lb

Cat. No.	Description	Cat. No.	Description
86431	1/4" 120XP™ Universal Spline XL Ratcheting Combination Wrench	86437	1/2" 120XP™ Universal Spline XL Ratcheting Combination Wrench
86432	9/32" 120XP™ Universal Spline XL Ratcheting Combination Wrench	86438	9/16" 120XP™ Universal Spline XL Ratcheting Combination Wrench
86433	5/16" 120XP™ Universal Spline XL Ratcheting Combination Wrench	86439	5/8" 120XP™ Universal Spline XL Ratcheting Combination Wrench
86434	11/32" 120XP™ Universal Spline XL Ratcheting Combination Wrench	86440	11/16" 120XP™ Universal Spline XL Ratcheting Combination Wrench
86435	3/8" 120XP™ Universal Spline XL Ratcheting Combination Wrench	86441	3/4" 120XP™ Universal Spline XL Ratcheting Combination Wrench
86436	7/16" 120XP™ Universal Spline XL Ratcheting Combination Wrench		



### 7 Pc. 120XP™ Universal Spline SAE XL Combination Ratcheting Wrench Set

- 120XP™ wrenches have two double stacked 60-tooth pawls (120 positions) providing a 3° swing arc so you can turn fasteners in tighter confines
- Universal spline drive fits 12-point, 6-point, rounded 6-point, spline, External Torx® and square fasteners
- XL beam design is up to 25% longer than standard wrenches for improved reach, leverage, and torque
- Dual-direction off-corner loading for better grip and reduced fastener rounding
- Highly visible, recessed size markings are color coded for easy identification
- Reduced ratcheting box end diameter for improved access
- Manufactured from alloy steel for better strength and longer tool life
- Bright, full polish chrome finish easily wipes clean and resists corrosion
- Included rack for storage and organization



Cat. No.	Included Storage	Product Weight
86452	Wrench Rack	10.775 lb

Cat. No.	Description	Cat. No.	Description
86442	13/16" 120XP™ Universal Spline XL Ratcheting Combination Wrench	86446	1-1/16" 120XP™ Universal Spline XL Ratcheting Combination Wrench
86443	7/8" 120XP™ Universal Spline XL Ratcheting Combination Wrench	86447	1-1/8" 120XP™ Universal Spline XL Ratcheting Combination Wrench
86444	15/16" 120XP™ Universal Spline XL Ratcheting Combination Wrench	86448	1-1/4" 120XP™ Universal Spline XL Ratcheting Combination Wrench
86445	1" 120XP™ Universal Spline XL Ratcheting Combination Wrench		



### 16 Pc. 120XP™ Universal Spline Metric XL Combination Ratcheting Wrench Set

- 120XP™ wrenches have two double stacked 60-tooth pawls (120 positions) providing a 3° swing arc so you can turn fasteners in tighter confines
- Universal spline drive fits 12-point, 6-point, rounded 6-point, spline, External Torx® and square fasteners
- XL beam design is up to 25% longer than standard wrenches for improved reach, leverage, and torque
- Dual-direction off-corner loading for better grip and reduced fastener rounding
- Highly visible, recessed size markings are color coded for easy identification
- Reduced ratcheting box end diameter for improved access
- Manufactured from alloy steel for better strength and longer tool life
- Bright, full polish chrome finish easily wipes clean and resists corrosion
- Included rack for storage and organization



Cat. No.	Included Storage	Product Weight
86427	Wrench Rack	7.950 lb

Cat. No.	Description	Cat. No.	Description
86408	8mm 120XP™ Universal Spline XL Ratcheting Combination Wrench	86416	16mm 120XP™ Universal Spline XL Ratcheting Combination Wrench
86409	9mm 120XP™ Universal Spline XL Ratcheting Combination Wrench	86417	17mm 120XP™ Universal Spline XL Ratcheting Combination Wrench
86410	10mm 120XP™ Universal Spline XL Ratcheting Combination Wrench	86418	18mm 120XP™ Universal Spline XL Ratcheting Combination Wrench
86411	11mm 120XP™ Universal Spline XL Ratcheting Combination Wrench	86419	19mm 120XP™ Universal Spline XL Ratcheting Combination Wrench
86412	12mm 120XP™ Universal Spline XL Ratcheting Combination Wrench	86420	20mm 120XP™ Universal Spline XL Ratcheting Combination Wrench
86413	13mm 120XP™ Universal Spline XL Ratcheting Combination Wrench	86421	21mm 120XP™ Universal Spline XL Ratcheting Combination Wrench
86414	14mm 120XP™ Universal Spline XL Ratcheting Combination Wrench	86422	22mm 120XP™ Universal Spline XL Ratcheting Combination Wrench
86415	15mm 120XP™ Universal Spline XL Ratcheting Combination Wrench	86424	24mm 120XP™ Universal Spline XL Ratcheting Combination Wrench



### 14 Pc. 120XP™ Universal Spline Metric XL Combination Ratcheting Wrench Set

- 120XP™ wrenches have two double stacked 60-tooth pawls (120 positions) providing a 3° swing arc so you can turn fasteners in tighter confines
- Universal spline drive fits 12-point, 6-point, rounded 6-point, spline, External Torx® and square fasteners
- XL beam design is up to 25% longer than standard wrenches for improved reach, leverage, and torque
- Dual-direction off-corner loading for better grip and reduced fastener rounding
- Highly visible, recessed size markings are color coded for easy identification
- Reduced ratcheting box end diameter for improved access
- Manufactured from alloy steel for better strength and longer tool life
- Bright, full polish chrome finish easily wipes clean and resists corrosion
- Included rack for storage and organization



Cat. No.	Included Storage	Product Weight
86426	Wrench Rack	4.230 lb

Cat. No.	Description	Cat. No.	Description
86406	6mm 120XP™ Universal Spline XL Ratcheting Combination Wrench	86413	13mm 120XP™ Universal Spline XL Ratcheting Combination Wrench
86407	7mm 120XP™ Universal Spline XL Ratcheting Combination Wrench	86414	14mm 120XP™ Universal Spline XL Ratcheting Combination Wrench
86408	8mm 120XP™ Universal Spline XL Ratcheting Combination Wrench	86415	15mm 120XP™ Universal Spline XL Ratcheting Combination Wrench
86409	9mm 120XP™ Universal Spline XL Ratcheting Combination Wrench	86416	16mm 120XP™ Universal Spline XL Ratcheting Combination Wrench
86410	10mm 120XP™ Universal Spline XL Ratcheting Combination Wrench	86417	17mm 120XP™ Universal Spline XL Ratcheting Combination Wrench
86411	11mm 120XP™ Universal Spline XL Ratcheting Combination Wrench	86418	18mm 120XP™ Universal Spline XL Ratcheting Combination Wrench
86412	12mm 120XP™ Universal Spline XL Ratcheting Combination Wrench	86419	19mm 120XP™ Universal Spline XL Ratcheting Combination Wrench



### 4 Pc. 120XP™ Universal Spline Metric XL Combination Ratcheting Wrench Set

- 120XP™ wrenches have two double stacked 60-tooth pawls (120 positions) providing a 3° swing arc so you can turn fasteners in tighter confines
- Universal spline drive fits 12-point, 6-point, rounded 6-point, spline, External Torx® and square fasteners
- XL beam design is up to 25% longer than standard wrenches for improved reach, leverage, and torque
- Dual-direction off-corner loading for better grip and reduced fastener rounding
- Highly visible, recessed size markings are color coded for easy identification
- Reduced ratcheting box end diameter for improved access
- Manufactured from alloy steel for better strength and longer tool life
- Bright, full polish chrome finish easily wipes clean and resists corrosion
- Included rack for storage and organization



Cat. No.	Included Storage	Product Weight
86428	Wrench Rack	4.240 lb



Cat. No.	Description	Cat. No.	Description
86420	20mm 120XP™ Universal Spline XL Ratcheting Combination Wrench	86422	22mm 120XP™ Universal Spline XL Ratcheting Combination Wrench
86421	21mm 120XP™ Universal Spline XL Ratcheting Combination Wrench	86424	24mm 120XP™ Universal Spline XL Ratcheting Combination Wrench

### 120XP™ Universal Spline XL Combination Ratcheting Wrenches

- 120XP™ wrenches have two double stacked 60-tooth pawls (120 positions) providing a 3° swing arc so you can turn fasteners in tighter confines
- Universal spline drive fits 12-point, 6-point, rounded 6-point, spline, External Torx® and square fasteners
- XL beam design is up to 25% longer than standard wrenches for improved reach, leverage, and torque
- Dual-direction off-corner loading on open end for better grip and reduced fastener rounding
- Highly visible, recessed size markings are color coded for easy identification
- Reduced ratcheting box end diameter for improved access
- Manufactured from alloy steel for better strength and longer tool life
- Bright, full polish chrome finish easily wipes clean and resists corrosion



Cat. No.	SAE/Metric	Fastener Size	End A Width	End A Thickness	End B Width	End B Thickness	Overall Length	Product Weight
86430	SAE	7/32 in	.54 in	0.17 in	0.55 in	0.27 in	5.31 in	0.250 lb
86431	SAE	1/4 in	.54 in	0.17 in	0.55 in	0.27 in	5.31 in	0.860 lb
86432	SAE	9/32 in	.65 in	0.18 in	0.63 in	0.27 in	5.91 in	0.120 lb
86433	SAE	5/16 in	.56 in	0.18 in	0.63 in	0.27 in	5.91 in	0.120 lb
86434	SAE	11/32 in	.73 in	0.19 in	0.73 in	0.27 in	6.5 in	0.130 lb

Cat. No.	SAE/Metric	Fastener Size	End A Width	End A Thickness	End B Width	End B Thickness	Overall Length	Product Weight
86435	SAE	3/8 in	.81 in	0.21 in	0.81 in	0.29 in	7.09 in	0.160 lb
86436	SAE	7/16 in	.91 in	0.22 in	0.85 in	0.3 in	7.68 in	0.200 lb
86437	SAE	1/2 in	1.02 in	0.25 in	0.94 in	0.34 in	8.66 in	0.275 lb
86438	SAE	9/16 in	1.16 in	0.27 in	1.02 in	0.37 in	9.25 in	0.397 lb
86439	SAE	5/8 in	1.31 in	0.3 in	1.13 in	0.41 in	10.24 in	0.505 lb
86440	SAE	11/16 in	1.42 in	0.32 in	1.22 in	0.42 in	10.83 in	0.530 lb
86441	SAE	3/4 in	1.56 in	0.35 in	1.34 in	0.44 in	12.01 in	0.675 lb
86442	SAE	13/16 in	1.69 in	0.35 in	1.57 in	0.49 in	12.52 in	1.060 lb
86443	SAE	7/8 in	1.77 in	0.35 in	1.65 in	0.51 in	12.99 in	0.930 lb
86444	SAE	15/16 in	1.93 in	0.39 in	1.77 in	0.55 in	14.02 in	1.210 lb
86445	SAE	1 in	2.01 in	0.39 in	1.85 in	0.57 in	14.49 in	1.300 lb
86446	SAE	1-1/16 in	2.2 in	0.41 in	1.97 in	0.61 in	15.51 in	1.555 lb
86447	SAE	1-1/8 in	2.28 in	0.45 in	2.09 in	0.63 in	16.54 in	1.920 lb
86448	SAE	1-1/4 in	2.56 in	0.47 in	2.32 in	0.69 in	18.39 in	2.380 lb
86406	Metric	6 mm	.54 in	.17 in	.55 in	.27 in	5.31 in	0.105 lb
86407	Metric	7 mm	0.65 in	0.18 in	0.63 in	.27 in	5.91 in	0.110 lb
86408	Metric	8 mm	0.65 in	0.18 in	0.63 in	.27 in	5.91 in	0.590 lb
86409	Metric	9 mm	0.73 in	0.19 in	0.73 in	.27 in	6.5 in	0.130 lb
86410	Metric	10 mm	0.81 in	0.21 in	0.81 in	.29 in	7.09 in	0.165 lb
86411	Metric	11 mm	0.91 in	0.22 in	0.85 in	.3 in	7.68 in	0.115 lb
86412	Metric	12 mm	0.96 in	0.24 in	0.91 in	.32 in	8.15 in	0.850 lb
86413	Metric	13 mm	1.02 in	0.25 in	0.94 in	.34 in	8.66 in	0.275 lb
86414	Metric	14 mm	1.16 in	0.27 in	1.02 in	.37 in	9.25 in	0.230 lb
86415	Metric	15 mm	1.26 in	0.29 in	1.1 in	.39 in	9.84 in	0.850 lb
86416	Metric	16 mm	1.31 in	0.3 in	1.18 in	.41 in	10.24 in	0.600 lb
86417	Metric	17 mm	1.42 in	0.32 in	1.22 in	.42 in	10.83 in	0.573 lb
86418	Metric	18 mm	1.49 in	0.33 in	1.26 in	.44 in	11.42 in	0.580 lb
86419	Metric	19 mm	1.56 in	0.35 in	1.34 in	0.44 in	12.01 in	0.690 lb
86420	Metric	20 mm	1.65 in	0.35 in	1.54 in	0.47 in	12.2 in	0.860 lb
86421	Metric	21 mm	1.69 in	0.35 in	1.57 in	0.49 in	12.52 in	0.745 lb
86422	Metric	22 mm	1.77 in	0.35 in	1.65 in	0.51 in	12.99 in	0.930 lb
86424	Metric	24 mm	1.93 in	0.39 in	1.77 in	0.55 in	14.02 in	1.210 lb

### 13 Pc. 12 Point SAE XL Combination Ratcheting Wrench Set with Roll

- 72 tooth ratcheting box end needs a minimal 5° to move fasteners vs. 30° for standard wrenches
- Off-corner loading design on box end provides better grip and reduces fastener rounding
- Thin head and beam provide greater access in confined work areas
- Size conveniently stamped on both ends of the beam for quick identification
- Manufactured from alloy steel for better strength and longer tool life
- Bright, full polish chrome finish easily wipes clean and resists corrosion
- Longer beam provides greater access to confined work areas vs. standard length wrenches
- Meets or exceeds ASME and ANSI specifications
- Included tool roll for storage and organization



Cat. No.	Included Storage	Product Weight
85199R	Tool Roll	3.65 lb



Cat. No.	Description	Cat. No.	Description
85108	1/4" 12 Point XL Ratcheting Combination Wrench	85122D	11/16" 12 Point XL Ratcheting Combination Wrench
85110	5/16" 12 Point XL Ratcheting Combination Wrench	85124D	3/4" 12 Point XL Ratcheting Combination Wrench
85112	3/8" 12 Point XL Ratcheting Combination Wrench	85126	13/16" 12 Point XL Ratcheting Combination Wrench
85114	7/16" 12 Point XL Ratcheting Combination Wrench	85128	7/8" 12 Point XL Ratcheting Combination Wrench
85116	1/2" 12 Point XL Ratcheting Combination Wrench	85130	15/16" 12 Point XL Ratcheting Combination Wrench
85118	9/16" 12 Point XL Ratcheting Combination Wrench	85132	1" 12 Point XL Ratcheting Combination Wrench
85120D	5/8" 12 Point XL Ratcheting Combination Wrench		

### 13 Pc. 12 Point SAE XL Combination Ratcheting Wrench Set with Rack

- 72 tooth ratcheting box end needs a minimal 5° to move fasteners vs. 30° for standard wrenches
- Off-corner loading design on box end provides better grip and reduces fastener rounding
- Thin head and beam provide greater access in confined work areas
- Size conveniently stamped on both ends of the beam for quick identification
- Manufactured from alloy steel for better strength and longer tool life
- Bright, full polish chrome finish easily wipes clean and resists corrosion
- Longer beam provides greater access to confined work areas vs. standard length wrenches
- Meets or exceeds ASME and ANSI specifications
- Included rack for storage and organization



Cat. No.	Included Storage	Product Weight
85199	Wrench Rack	7.62 lb



Cat. No.	Description	Cat. No.	Description
85108	1/4" 12 Point XL Ratcheting Combination Wrench	85122D	11/16" 12 Point XL Ratcheting Combination Wrench
85110	5/16" 12 Point XL Ratcheting Combination Wrench	85124D	3/4" 12 Point XL Ratcheting Combination Wrench
85112	3/8" 12 Point XL Ratcheting Combination Wrench	85126	13/16" 12 Point XL Ratcheting Combination Wrench
85114	7/16" 12 Point XL Ratcheting Combination Wrench	85128	7/8" 12 Point XL Ratcheting Combination Wrench
85116	1/2" 12 Point XL Ratcheting Combination Wrench	85130	15/16" 12 Point XL Ratcheting Combination Wrench
85118	9/16" 12 Point XL Ratcheting Combination Wrench	85132	1" 12 Point XL Ratcheting Combination Wrench
85120D	5/8" 12 Point XL Ratcheting Combination Wrench		



### 8 Pc. 12 Point SAE XL Combination Ratcheting Wrench Set with Rack

- 72 tooth ratcheting box end needs a minimal 5° to move fasteners vs. 30° for standard wrenches
- Off-corner loading design on box end provides better grip and reduces fastener rounding
- Thin head and beam provide greater access in confined work areas
- Size conveniently stamped on both ends of the beam for quick identification
- Manufactured from alloy steel for better strength and longer tool life
- Bright, full polish chrome finish easily wipes clean and resists corrosion
- Longer beam provides greater access to confined work areas vs. standard length wrenches
- Meets or exceeds ASME and ANSI specifications
- Included rack for storage and organization



Cat. No.	Included Storage	Product Weight
85198	Wrench Rack	3.12 lb



Cat. No.	Description	Cat. No.	Description
85110	5/16" 12 Point XL Ratcheting Combination Wrench	85118	9/16" 12 Point XL Ratcheting Combination Wrench
85112	3/8" 12 Point XL Ratcheting Combination Wrench	85120D	5/8" 12 Point XL Ratcheting Combination Wrench
85114	7/16" 12 Point XL Ratcheting Combination Wrench	85122D	11/16" 12 Point XL Ratcheting Combination Wrench
85116	1/2" 12 Point XL Ratcheting Combination Wrench	85124D	3/4" 12 Point XL Ratcheting Combination Wrench

### 7 Pc. 12 Point SAE XL Combination Ratcheting Wrench Set with Roll

- 72 tooth ratcheting box end needs a minimal 5° to move fasteners vs. 30° for standard wrenches
- Off-corner loading design on box end provides better grip and reduces fastener rounding
- Thin head and beam provide greater access in confined work areas
- Size conveniently stamped on both ends of the beam for quick identification
- Manufactured from alloy steel for better strength and longer tool life
- Bright, full polish chrome finish easily wipes clean and resists corrosion
- Longer beam provides greater access to confined work areas vs. standard length wrenches
- Meets or exceeds ASME and ANSI specifications
- Included tool roll for storage and organization



Cat. No.	Included Storage	Product Weight
85197R	Tool Roll	3.25 lb



Cat. No.	Description	Cat. No.	Description
85112	3/8" 12 Point XL Ratcheting Combination Wrench	85120D	5/8" 12 Point XL Ratcheting Combination Wrench
85114	7/16" 12 Point XL Ratcheting Combination Wrench	85122D	11/16" 12 Point XL Ratcheting Combination Wrench
85116	1/2" 12 Point XL Ratcheting Combination Wrench	85124D	3/4" 12 Point XL Ratcheting Combination Wrench
85118	9/16" 12 Point XL Ratcheting Combination Wrench		

### 16 Pc. 12 Point Metric XL Combination Ratcheting Wrench Set with Roll

- 72 tooth ratcheting box end needs a minimal 5° to move fasteners vs. 30° for standard wrenches
- Off-corner loading design on box end provides better grip and reduces fastener rounding
- Thin head and beam provide greater access in confined work areas
- Size conveniently stamped on both ends of the beam for quick identification
- Manufactured from alloy steel for better strength and longer tool life
- Bright, full polish chrome finish easily wipes clean and resists corrosion
- Longer beam provides greater access to confined work areas vs. standard length wrenches
- Meets or exceeds ASME and ANSI specifications
- Included tool roll for storage and organization



Cat. No.	Included Storage	Product Weight
85099R	Tool Roll	8.64 lb



Cat. No.	Description	Cat. No.	Description
85008D	8mm 12 Point XL Ratcheting Combination Wrench	85016	16mm 12 Point XL Ratcheting Combination Wrench
85009	9mm 12 Point XL Ratcheting Combination Wrench	85017	17mm 12 Point XL Ratcheting Combination Wrench
85010	10mm 12 Point XL Ratcheting Combination Wrench	85018	18mm 12 Point XL Ratcheting Combination Wrench
85011	11mm 12 Point XL Ratcheting Combination Wrench	85019	19mm 12 Point XL Ratcheting Combination Wrench
85012	12mm 12 Point XL Ratcheting Combination Wrench	85020	20mm 12 Point XL Ratcheting Combination Wrench
85013D	13mm 12 Point XL Ratcheting Combination Wrench	85021	21mm 12 Point XL Ratcheting Combination Wrench
85014	14mm 12 Point XL Ratcheting Combination Wrench	85022	22mm 12 Point XL Ratcheting Combination Wrench
85015	15mm 12 Point XL Ratcheting Combination Wrench	85024D	24mm 12 Point XL Ratcheting Combination Wrench

### 16 Pc. 12 Point Metric XL Combination Ratcheting Wrench Set with Rack

- 72 tooth ratcheting box end needs a minimal 5° to move fasteners vs. 30° for standard wrenches
- Off-corner loading design on box end provides better grip and reduces fastener rounding
- Thin head and beam provide greater access in confined work areas
- Size conveniently stamped on both ends of the beam for quick identification
- Manufactured from alloy steel for better strength and longer tool life
- Bright, full polish chrome finish easily wipes clean and resists corrosion
- Longer beam provides greater access to confined work areas vs. standard length wrenches
- Meets or exceeds ASME and ANSI specifications
- Included rack for storage and organization



Cat. No.	Included Storage	Product Weight
85099	Wrench Rack	8.26 lb



Cat. No.	Description	Cat. No.	Description
85008D	8mm 12 Point XL Ratcheting Combination Wrench	85016	16mm 12 Point XL Ratcheting Combination Wrench
85009	9mm 12 Point XL Ratcheting Combination Wrench	85017	17mm 12 Point XL Ratcheting Combination Wrench
85010	10mm 12 Point XL Ratcheting Combination Wrench	85018	18mm 12 Point XL Ratcheting Combination Wrench
85011	11mm 12 Point XL Ratcheting Combination Wrench	85019	19mm 12 Point XL Ratcheting Combination Wrench
85012	12mm 12 Point XL Ratcheting Combination Wrench	85020	20mm 12 Point XL Ratcheting Combination Wrench
85013D	13mm 12 Point XL Ratcheting Combination Wrench	85021	21mm 12 Point XL Ratcheting Combination Wrench
85014	14mm 12 Point XL Ratcheting Combination Wrench	85022	22mm 12 Point XL Ratcheting Combination Wrench
85015	15mm 12 Point XL Ratcheting Combination Wrench	85024D	24mm 12 Point XL Ratcheting Combination Wrench

### 12 Pc. 12 Point Metric XL Combination Ratcheting Wrench Set with Rack

- 72 tooth ratcheting box end needs a minimal 5° to move fasteners vs. 30° for standard wrenches
- Off-corner loading design on box end provides better grip and reduces fastener rounding
- Thin head and beam provide greater access in confined work areas
- Size conveniently stamped on both ends of the beam for quick identification
- Manufactured from alloy steel for better strength and longer tool life
- Bright, full polish chrome finish easily wipes clean and resists corrosion
- Longer beam provides greater access to confined work areas vs. standard length wrenches
- Meets or exceeds ASME and ANSI specifications
- Included rack for storage and organization



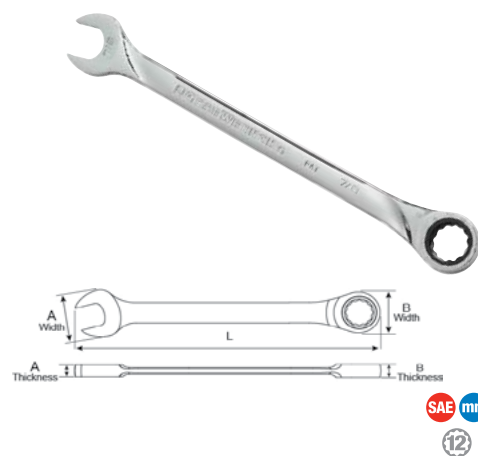
Cat. No.	Included Storage	Product Weight
85098	Wrench Rack	4.12 lb



Cat. No.	Description	Cat. No.	Description
85008D	8mm 12 Point XL Ratcheting Combination Wrench	85014	14mm 12 Point XL Ratcheting Combination Wrench
85009	9mm 12 Point XL Ratcheting Combination Wrench	85015	15mm 12 Point XL Ratcheting Combination Wrench
85010	10mm 12 Point XL Ratcheting Combination Wrench	85016	16mm 12 Point XL Ratcheting Combination Wrench
85011	11mm 12 Point XL Ratcheting Combination Wrench	85017	17mm 12 Point XL Ratcheting Combination Wrench
85012	12mm 12 Point XL Ratcheting Combination Wrench	85018	18mm 12 Point XL Ratcheting Combination Wrench
85013D	13mm 12 Point XL Ratcheting Combination Wrench	85019	19mm 12 Point XL Ratcheting Combination Wrench

### 12 Point XL Combination Ratcheting Wrenches

- 72 tooth ratcheting box end needs a minimal 5° to move fasteners vs. 30° for standard wrenches
- Off-corner loading design on box end provides better grip and reduces fastener rounding
- Thin head and beam provide greater access in confined work areas
- Size conveniently stamped on both ends of the beam for quick identification
- Manufactured from alloy steel for better strength and longer tool life
- Bright, full polish chrome finish easily wipes clean and resists corrosion
- Longer beam provides greater access to confined work areas vs. standard length wrenches
- Meets or exceeds ASME and ANSI specifications



Cat. No.	SAE/Metric	Fastener Size	End A Width	End A Thickness	End B Width	End B Thickness	Overall Length	Product Weight
85108	SAE	1/4 in	0.57 in	0.18 in	0.61 in	0.26 in	5.31 in	0.09 lb
85110	SAE	5/16 in	0.77 in	0.2 in	0.67 in	0.27 in	5.91 in	0.12 lb
85112	SAE	3/8 in	0.86 in	0.22 in	0.78 in	0.3 in	7.09 in	0.17 lb
85114	SAE	7/16 in	0.95 in	0.25 in	0.85 in	0.32 in	7.68 in	0.20 lb
85116	SAE	1/2 in	1.15 in	0.32 in	0.98 in	0.34 in	8.66 in	0.30 lb
85118	SAE	9/16 in	1.23 in	0.33 in	1.04 in	0.37 in	9.25 in	0.38 lb
85120D	SAE	5/8 in	1.36 in	0.35 in	1.2 in	0.41 in	10.24 in	0.43 lb
85122D	SAE	11/16 in	1.49 in	0.36 in	1.27 in	0.42 in	10.83 in	0.49 lb
85124D	SAE	3/4 in	1.63 in	0.37 in	1.34 in	0.44 in	12.01 in	0.76 lb
85126	SAE	13/16 in	1.77 in	0.4 in	1.54 in	0.51 in	12.51 in	0.95 lb
85128	SAE	7/8 in	1.87 in	0.42 in	1.54 in	0.51 in	13 in	1.01 lb
85130	SAE	15/16 in	2.01 in	0.44 in	1.75 in	0.57 in	14 in	1.25 lb
85132	SAE	1 in	2.09 in	0.46 in	1.75 in	0.57 in	14.5 in	1.39 lb
85007	Metric	7 mm	0.64 in	0.19 in	0.62 in	0.26 in	5.61 in	0.09 lb
85008D	Metric	8 mm	0.77 in	0.2 in	0.67 in	0.27 in	5.91 in	0.12 lb
85009	Metric	9 mm	0.77 in	0.21 in	0.7 in	0.27 in	6.5 in	0.14 lb
85010	Metric	10 mm	0.86 in	0.22 in	0.78 in	0.3 in	7.09 in	0.16 lb
85011	Metric	11 mm	0.95 in	0.25 in	0.85 in	0.32 in	7.68 in	0.20 lb
85012	Metric	12 mm	1.05 in	0.29 in	0.91 in	0.34 in	8.15 in	0.23 lb
85013D	Metric	13 mm	1.15 in	0.32 in	0.98 in	0.34 in	8.66 in	0.31 lb
85014	Metric	14 mm	1.23 in	0.33 in	1.04 in	0.37 in	9.25 in	0.36 lb
85015	Metric	15 mm	1.33 in	0.33 in	1.13 in	0.39 in	9.84 in	0.41 lb
85016	Metric	16 mm	1.36 in	0.35 in	1.2 in	0.41 in	10.24 in	0.50 lb
85017	Metric	17 mm	1.49 in	0.36 in	1.27 in	0.42 in	10.83 in	0.55 lb
85018	Metric	18 mm	1.58 in	0.37 in	1.31 in	0.44 in	11.42 in	0.65 lb
85019	Metric	19 mm	1.63 in	0.37 in	1.34 in	0.44 in	12.01 in	0.72 lb
85020	Metric	20 mm	1.77 in	0.4 in	1.54 in	0.51 in	12.51 in	0.99 lb
85021	Metric	21 mm	1.77 in	0.4 in	1.54 in	0.51 in	12.51 in	1.08 lb
85022	Metric	22 mm	1.87 in	0.42 in	1.54 in	0.51 in	13 in	1.14 lb
85024D	Metric	24 mm	2.01 in	0.44 in	1.75 in	0.57 in	14 in	1.24 lb

### 34 Pc. 12 Point SAE/Metric Standard/Stubby Combination Ratching Wrench Set

- 72 tooth ratcheting box end needs a minimal 5° to move fasteners vs. 30° for standard wrenches
- Off-corner loading design on box end provides better grip and reduces fastener rounding
- Thin head and beam provide greater access in confined work areas
- Manufactured from alloy steel for better strength and longer tool life
- Bright, full polish chrome finish easily wipes clean and resists corrosion
- Meets or exceeds ASME and ANSI specifications



Cat. No.	Included Storage	Product Weight
85034	None	8.705 lb

Cat. No.	Description	Cat. No.	Description
9010D	5/16" 12 Point Ratcheting Combination Wrench	-	5/16" 12 Point Stubby Ratcheting Combination Wrench
9012D	3/8" 12 Point Ratcheting Combination Wrench	9500DD	3/8" 12 Point Stubby Ratcheting Combination Wrench
9014	7/16" 12 Point Ratcheting Combination Wrench	9501DD	7/16" 12 Point Stubby Ratcheting Combination Wrench
9016D	1/2" 12 Point Ratcheting Combination Wrench	9502D	1/2" 12 Point Stubby Ratcheting Combination Wrench
9018D	9/16" 12 Point Ratcheting Combination Wrench	9503D	9/16" 12 Point Stubby Ratcheting Combination Wrench
9020	5/8" 12 Point Ratcheting Combination Wrench	9504D	5/8" 12 Point Stubby Ratcheting Combination Wrench
9022	11/16" 12 Point Ratcheting Combination Wrench	9505D	11/16" 12 Point Stubby Ratcheting Combination Wrench
9024	3/4" 12 Point Ratcheting Combination Wrench	9506D	3/4" 12 Point Stubby Ratcheting Combination Wrench
9110D	10mm 12 Point Ratcheting Combination Wrench	9510DD	10mm 12 Point Stubby Ratcheting Combination Wrench
9111	11mm 12 Point Ratcheting Combination Wrench	9511D	11mm 12 Point Stubby Ratcheting Combination Wrench
9112	12mm 12 Point Ratcheting Combination Wrench	9512D	12mm 12 Point Stubby Ratcheting Combination Wrench
9113D	13mm 12 Point Ratcheting Combination Wrench	9513D	13mm 12 Point Stubby Ratcheting Combination Wrench
9114D	14mm 12 Point Ratcheting Combination Wrench	9514D	14mm 12 Point Stubby Ratcheting Combination Wrench
9115D	15mm 12 Point Ratcheting Combination Wrench	9515D	15mm 12 Point Stubby Ratcheting Combination Wrench
9116D	16mm 12 Point Ratcheting Combination Wrench	9516D	16mm 12 Point Stubby Ratcheting Combination Wrench
9117D	17mm 12 Point Ratcheting Combination Wrench	9517D	17mm 12 Point Stubby Ratcheting Combination Wrench
9118D	18mm 12 Point Ratcheting Combination Wrench	9518D	18mm 12 Point Stubby Ratcheting Combination Wrench

### 10 Pc. 12 Point SAE/Metric Combination Ratcheting Wrench Set

- 72 tooth ratcheting box end needs a minimal 5° to move fasteners vs. 30° for standard wrenches
- Off-corner loading design on box end provides better grip and reduces fastener rounding
- Thin head and beam provide greater access in confined work areas
- Size conveniently stamped on both ends of the beam for quick identification
- Manufactured from alloy steel for better strength and longer tool life
- Bright, full polish chrome finish easily wipes clean and resists corrosion
- Meets or exceeds ASME and ANSI specifications



Cat. No.	Included Storage	Product Weight
9418	None	2.04 lb

Cat. No.	Description	Cat. No.	Description
9010D	5/16" 12 Point Ratcheting Combination Wrench	9108D	8mm 12 Point Ratcheting Combination Wrench
9012D	3/8" 12 Point Ratcheting Combination Wrench	9110D	10mm 12 Point Ratcheting Combination Wrench
9014	7/16" 12 Point Ratcheting Combination Wrench	9112	12mm 12 Point Ratcheting Combination Wrench
9016D	1/2" 12 Point Ratcheting Combination Wrench	9113D	13mm 12 Point Ratcheting Combination Wrench
9018D	9/16" 12 Point Ratcheting Combination Wrench	9114D	14mm 12 Point Ratcheting Combination Wrench

### 13 Pc. 12 Point SAE Combination Ratcheting Wrench Set

- 72 tooth ratcheting box end needs a minimal 5° to move fasteners vs. 30° for standard wrenches
- Off-corner loading design on box end provides better grip and reduces fastener rounding
- Thin head and beam provide greater access in confined work areas
- Size conveniently stamped on both ends of the beam for quick identification
- Manufactured from alloy steel for better strength and longer tool life
- Bright, full polish chrome finish easily wipes clean and resists corrosion
- Meets or exceeds ASME and ANSI specifications
- Included rack for storage and organization



Cat. No.	Included Storage	Product Weight
9312	Wrench Rack	5.96 lb

Cat. No.	Description	Cat. No.	Description
9008	1/4" 12 Point Ratcheting Combination Wrench	9022	11/16" 12 Point Ratcheting Combination Wrench
9010D	5/16" 12 Point Ratcheting Combination Wrench	9024	3/4" 12 Point Ratcheting Combination Wrench
9012D	3/8" 12 Point Ratcheting Combination Wrench	9026D	13/16" 12 Point Ratcheting Combination Wrench
9014	7/16" 12 Point Ratcheting Combination Wrench	9028D	7/8" 12 Point Ratcheting Combination Wrench
9016D	1/2" 12 Point Ratcheting Combination Wrench	9030	15/16" 12 Point Ratcheting Combination Wrench
9018D	9/16" 12 Point Ratcheting Combination Wrench	9032	1" 12 Point Ratcheting Combination Wrench
9020	5/8" 12 Point Ratcheting Combination Wrench		

### 8 Pc. 12 Point SAE Combination Ratcheting Wrench Set

- 72 tooth ratcheting box end needs a minimal 5° to move fasteners vs. 30° for standard wrenches
- Off-corner loading design on box end provides better grip and reduces fastener rounding
- Thin head and beam provide greater access in confined work areas
- Size conveniently stamped on both ends of the beam for quick identification
- Manufactured from alloy steel for better strength and longer tool life
- Bright, full polish chrome finish easily wipes clean and resists corrosion
- Meets or exceeds ASME and ANSI specifications
- Included tray for storage and organization



Cat. No.	Included Storage	Product Weight
9308D	Tray	2.70 lb

Cat. No.	Description	Cat. No.	Description
9010D	5/16" 12 Point Ratcheting Combination Wrench	9018D	9/16" 12 Point Ratcheting Combination Wrench
9012D	3/8" 12 Point Ratcheting Combination Wrench	9020	5/8" 12 Point Ratcheting Combination Wrench
9014	7/16" 12 Point Ratcheting Combination Wrench	9022	11/16" 12 Point Ratcheting Combination Wrench
9016D	1/2" 12 Point Ratcheting Combination Wrench	9024	3/4" 12 Point Ratcheting Combination Wrench

### 7 Pc. 12 Point SAE Combination Ratcheting Wrench Set

- 72 tooth ratcheting box end needs a minimal 5° to move fasteners vs. 30° for standard wrenches
- Off-corner loading design on box end provides better grip and reduces fastener rounding
- Thin head and beam provide greater access in confined work areas
- Size conveniently stamped on both ends of the beam for quick identification
- Manufactured from alloy steel for better strength and longer tool life
- Bright, full polish chrome finish easily wipes clean and resists corrosion
- Meets or exceeds ASME and ANSI specifications



Cat. No.	Included Storage	Product Weight
9317	None	2.02 lb

Cat. No.	Description	Cat. No.	Description
9010D	5/16" 12 Point Ratcheting Combination Wrench	9018D	9/16" 12 Point Ratcheting Combination Wrench
9012D	3/8" 12 Point Ratcheting Combination Wrench	9020	5/8" 12 Point Ratcheting Combination Wrench
9014	7/16" 12 Point Ratcheting Combination Wrench	9024	3/4" 12 Point Ratcheting Combination Wrench
9016D	1/2" 12 Point Ratcheting Combination Wrench		



### 5 Pc. 12 Point SAE Combination Ratcheting Wrench Set

- 72 tooth ratcheting box end needs a minimal 5° to move fasteners vs. 30° for standard wrenches
- Off-corner loading design on box end provides better grip and reduces fastener rounding
- Thin head and beam provide greater access in confined work areas
- Size conveniently stamped on both ends of the beam for quick identification
- Manufactured from alloy steel for better strength and longer tool life
- Bright, full polish chrome finish easily wipes clean and resists corrosion
- Meets or exceeds ASME and ANSI specifications



Cat. No.	Included Storage	Product Weight
93005	None	4.16 lb



Cat. No.	Description	Cat. No.	Description
9012D	3/8" 12 Point Ratcheting Combination Wrench	9018D	9/16" 12 Point Ratcheting Combination Wrench
9014	7/16" 12 Point Ratcheting Combination Wrench	9020	5/8" 12 Point Ratcheting Combination Wrench
9016D	1/2" 12 Point Ratcheting Combination Wrench		

### 4 Pc. 12 Point SAE Combination Ratcheting Wrench Set

- 72 tooth ratcheting box end needs a minimal 5° to move fasteners vs. 30° for standard wrenches
- Off-corner loading design on box end provides better grip and reduces fastener rounding
- Thin head and beam provide greater access in confined work areas
- Size conveniently stamped on both ends of the beam for quick identification
- Manufactured from alloy steel for better strength and longer tool life
- Bright, full polish chrome finish easily wipes clean and resists corrosion
- Meets or exceeds ASME and ANSI specifications
- Included tray for storage and organization



Cat. No.	Included Storage	Product Weight
9309D	Tray	4.79 lb



Cat. No.	Description	Cat. No.	Description
9026D	13/16" 12 Point Ratcheting Combination Wrench	9030	15/16" 12 Point Ratcheting Combination Wrench
9028D	7/8" 12 Point Ratcheting Combination Wrench	9032	1" 12 Point Ratcheting Combination Wrench

### 16 Pc. 12 Point Metric Combination Ratcheting Wrench Set

- 72 tooth ratcheting box end needs a minimal 5° to move fasteners vs. 30° for standard wrenches
- Off-corner loading design on box end provides better grip and reduces fastener rounding
- Thin head and beam provide greater access in confined work areas
- Size conveniently stamped on both ends of the beam for quick identification
- Manufactured from alloy steel for better strength and longer tool life
- Bright, full polish chrome finish easily wipes clean and resists corrosion
- Meets or exceeds ASME and ANSI specifications
- Included rack for storage and organization



Cat. No.	Included Storage	Product Weight
9416	Wrench Rack	6.67 lb



Cat. No.	Description	Cat. No.	Description
9108D	8mm 12 Point Ratcheting Combination Wrench	9116D	16mm 12 Point Ratcheting Combination Wrench
9109	9mm 12 Point Ratcheting Combination Wrench	9117D	17mm 12 Point Ratcheting Combination Wrench
9110D	10mm 12 Point Ratcheting Combination Wrench	9118D	18mm 12 Point Ratcheting Combination Wrench
9111	11mm 12 Point Ratcheting Combination Wrench	9119	19mm 12 Point Ratcheting Combination Wrench
9112	12mm 12 Point Ratcheting Combination Wrench	9120	20mm 12 Point Ratcheting Combination Wrench
9113D	13mm 12 Point Ratcheting Combination Wrench	9121	21mm 12 Point Ratcheting Combination Wrench
9114D	14mm 12 Point Ratcheting Combination Wrench	9122	22mm 12 Point Ratcheting Combination Wrench
9115D	15mm 12 Point Ratcheting Combination Wrench	9124	24mm 12 Point Ratcheting Combination Wrench

### 12 Pc. 12 Point Metric Combination Ratcheting Wrench Set

- 72 tooth ratcheting box end needs a minimal 5° to move fasteners vs. 30° for standard wrenches
- Off-corner loading design on box end provides better grip and reduces fastener rounding
- Thin head and beam provide greater access in confined work areas
- Size conveniently stamped on both ends of the beam for quick identification
- Manufactured from alloy steel for better strength and longer tool life
- Bright, full polish chrome finish easily wipes clean and resists corrosion
- Meets or exceeds ASME and ANSI specifications
- Included tray for storage and organization



Cat. No.	Included Storage	Product Weight
9412	Tray	3.56 lb



Cat. No.	Description	Cat. No.	Description
9108D	8mm 12 Point Ratcheting Combination Wrench	9114D	14mm 12 Point Ratcheting Combination Wrench
9109	9mm 12 Point Ratcheting Combination Wrench	9115D	15mm 12 Point Ratcheting Combination Wrench
9110D	10mm 12 Point Ratcheting Combination Wrench	9116D	16mm 12 Point Ratcheting Combination Wrench
9111	11mm 12 Point Ratcheting Combination Wrench	9117D	17mm 12 Point Ratcheting Combination Wrench
9112	12mm 12 Point Ratcheting Combination Wrench	9118D	18mm 12 Point Ratcheting Combination Wrench
9113D	13mm 12 Point Ratcheting Combination Wrench	9119	19mm 12 Point Ratcheting Combination Wrench

### 7 Pc. 12 Point Metric Combination Ratcheting Wrench Set

- 72 tooth ratcheting box end needs a minimal 5° to move fasteners vs. 30° for standard wrenches
- Off-corner loading design on box end provides better grip and reduces fastener rounding
- Thin head and beam provide greater access in confined work areas
- Size conveniently stamped on both ends of the beam for quick identification
- Manufactured from alloy steel for better strength and longer tool life
- Bright, full polish chrome finish easily wipes clean and resists corrosion
- Meets or exceeds ASME and ANSI specifications



Cat. No.	Included Storage	Product Weight
9417	None	2.15 lb



Cat. No.	Description	Cat. No.	Description
9108D	8mm 12 Point Ratcheting Combination Wrench	9114D	14mm 12 Point Ratcheting Combination Wrench
9110D	10mm 12 Point Ratcheting Combination Wrench	9115D	15mm 12 Point Ratcheting Combination Wrench
9112	12mm 12 Point Ratcheting Combination Wrench	9118D	18mm 12 Point Ratcheting Combination Wrench
9113D	13mm 12 Point Ratcheting Combination Wrench		

### 5 Pc. 12 Point Metric Combination Ratcheting Wrench Set

- 72 tooth ratcheting box end needs a minimal 5° to move fasteners vs. 30° for standard wrenches
- Off-corner loading design on box end provides better grip and reduces fastener rounding
- Thin head and beam provide greater access in confined work areas
- Size conveniently stamped on both ends of the beam for quick identification
- Manufactured from alloy steel for better strength and longer tool life
- Bright, full polish chrome finish easily wipes clean and resists corrosion
- Meets or exceeds ASME and ANSI specifications



Cat. No.	Included Storage	Product Weight
93004D	None	4.40 lb



Cat. No.	Description	Cat. No.	Description
9110D	10mm 12 Point Ratcheting Combination Wrench	9114D	14mm 12 Point Ratcheting Combination Wrench
9112	12mm 12 Point Ratcheting Combination Wrench	9115D	15mm 12 Point Ratcheting Combination Wrench
9113D	13mm 12 Point Ratcheting Combination Wrench		

### 4 Pc. 12 Point Metric Combination Ratcheting Wrench Set

- 72 tooth ratcheting box end needs a minimal 5° to move fasteners vs. 30° for standard wrenches
- Off-corner loading design on box end provides better grip and reduces fastener rounding
- Thin head and beam provide greater access in confined work areas
- Size conveniently stamped on both ends of the beam for quick identification
- Manufactured from alloy steel for better strength and longer tool life
- Bright, full polish chrome finish easily wipes clean and resists corrosion
- Meets or exceeds ASME and ANSI specifications
- Included tray for storage and organization



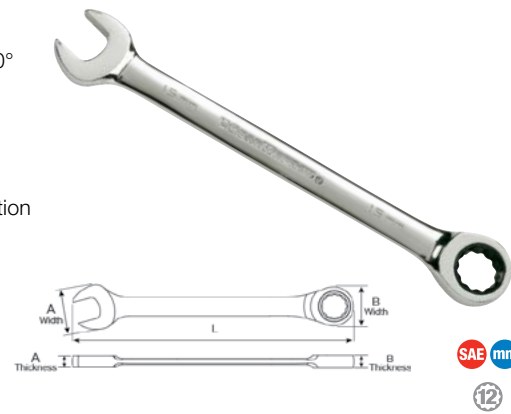
Cat. No.	Included Storage	Product Weight
9413	Tray	4.67 lb



Cat. No.	Description	Cat. No.	Description
9121	21mm 12 Point Ratcheting Combination Wrench	9124	24mm 12 Point Ratcheting Combination Wrench
9122	22mm 12 Point Ratcheting Combination Wrench	9125D	25mm 12 Point Ratcheting Combination Wrench

### 12 Point Combination Ratcheting Wrenches

- 72 tooth ratcheting box end needs a minimal 5° to move fasteners vs. 30° for standard wrenches
- Off-corner loading design on box end provides better grip and reduces fastener rounding
- Thin head and beam provide greater access in confined work areas
- Size conveniently stamped on both ends of the beam for quick identification
- Manufactured from alloy steel for better strength and longer tool life
- Bright, full polish chrome finish easily wipes clean and resists corrosion
- Meets or exceeds ASME and ANSI specifications



Cat. No.	SAE/Metric	Fastener Size	End A Width	End A Thickness	End B Width	End B Thickness	Overall Length	Product Weight
9008	SAE	1/4 in	0.567 in	0.181 in	0.61 in	0.256 in	4.921 in	0.10 lb
9010D	SAE	5/16 in	0.768 in	0.197 in	0.665 in	0.272 in	5.508 in	0.12 lb
9011D	SAE	11/32 in	0.768 in	0.213 in	0.701 in	0.272 in	5.882 in	0.12 lb
9012D	SAE	3/8 in	0.862 in	0.224 in	0.78 in	0.303 in	6.256 in	0.14 lb
9014	SAE	7/16 in	0.953 in	0.252 in	0.854 in	0.323 in	6.508 in	0.17 lb
9016D	SAE	1/2 in	1.146 in	0.319 in	0.984 in	0.339 in	7.008 in	0.22 lb
9018D	SAE	9/16 in	1.228 in	0.327 in	1.035 in	0.37 in	7.504 in	0.23 lb
9020	SAE	5/8 in	1.358 in	0.346 in	1.201 in	0.406 in	8.201 in	0.33 lb
9022	SAE	11/16 in	1.492 in	0.362 in	1.272 in	0.421 in	8.878 in	0.38 lb
9024	SAE	3/4 in	1.626 in	0.374 in	1.339 in	0.441 in	9.764 in	0.47 lb
9026D	SAE	13/16 in	1.811 in	0.39 in	1.535 in	0.512 in	11.476 in	0.86 lb
9028D	SAE	7/8 in	1.811 in	0.39 in	1.535 in	0.512 in	11.476 in	0.80 lb
9030	SAE	15/16 in	2.055 in	0.429 in	1.791 in	0.571 in	13.114 in	1.17 lb
9032	SAE	1 in	2.055 in	0.429 in	1.791 in	0.571 in	13.114 in	1.15 lb
9034	SAE	1-1/16 in	2.22 in	0.571 in	1.929 in	0.61 in	14.142 in	1.32 lb
9036	SAE	1-1/8 in	2.469 in	0.492 in	2.154 in	0.669 in	15.846 in	1.97 lb
9038D	SAE	1-1/4 in	2.634 in	0.508 in	2.283 in	0.689 in	16.764 in	2.18 lb
9060D	SAE	1-5/16 in	2.744 in	0.539 in	2.362 in	0.689 in	18.11 in	2.64 lb
9062D	SAE	1-3/8 in	2.744 in	0.539 in	2.362 in	0.689 in	18.11 in	2.64 lb
9040	SAE	1-7/16 in	3.114 in	0.646 in	2.52 in	0.807 in	19.685 in	3.86 lb
9042	SAE	1-1/2 in	3.114 in	0.646 in	2.52 in	0.807 in	19.685 in	3.82 lb
9044	SAE	1-9/16 in	3.409 in	0.709 in	2.677 in	0.866 in	22.638 in	5.18 lb
9046D	SAE	1-5/8 in	3.409 in	0.709 in	2.677 in	0.866 in	22.638 in	5.14 lb
9048	SAE	1-11/16 in	3.626 in	0.791 in	2.835 in	0.925 in	24.213 in	5.69 lb
9050D	SAE	1-3/4 in	3.626 in	0.791 in	2.835 in	0.925 in	24.213 in	5.64 lb
9052D	SAE	1-13/16 in	3.85 in	0.835 in	2.992 in	0.984 in	25.394 in	7.65 lb
9054D	SAE	1-7/8 in	3.85 in	0.835 in	2.992 in	0.984 in	25.394 in	7.59 lb
9056D	SAE	2 in	4.134 in	0.835 in	3.15 in	1.043 in	25.787 in	8.34 lb
9106	Metric	6 mm	0.567 in	0.181 in	0.61 in	0.256 in	4.921 in	0.09 lb
9107	Metric	7 mm	0.642 in	0.189 in	0.622 in	0.256 in	5.236 in	0.07 lb
9108D	Metric	8 mm	0.768 in	0.197 in	0.665 in	0.272 in	5.508 in	0.10 lb
9109	Metric	9 mm	0.768 in	0.213 in	0.701 in	0.272 in	5.882 in	0.11 lb
9110D	Metric	10 mm	0.862 in	0.224 in	0.78 in	0.303 in	6.256 in	0.15 lb
9111	Metric	11 mm	0.953 in	0.252 in	0.854 in	0.323 in	6.508 in	0.15 lb

Cat. No.	SAE/Metric	Fastener Size	End A Width	End A Thickness	End B Width	End B Thickness	Overall Length	Product Weight
9112	Metric	12 mm	1.047 in	0.291 in	0.906 in	0.339 in	6.756 in	0.20 lb
9113D	Metric	13 mm	1.146 in	0.319 in	0.984 in	0.339 in	7.008 in	0.23 lb
9114D	Metric	14 mm	1.228 in	0.327 in	1.035 in	0.37 in	7.504 in	0.27 lb
9115D	Metric	15 mm	1.327 in	0.327 in	1.13 in	0.39 in	7.854 in	0.25 lb
9116D	Metric	16 mm	1.358 in	0.346 in	1.201 in	0.406 in	8.201 in	0.33 lb
9117D	Metric	17 mm	1.492 in	0.362 in	1.272 in	0.421 in	8.878 in	0.38 lb
9118D	Metric	18 mm	1.583 in	0.37 in	1.307 in	0.441 in	9.311 in	0.46 lb
9119	Metric	19 mm	1.626 in	0.374 in	1.339 in	0.441 in	9.764 in	0.47 lb
9120	Metric	20 mm	1.811 in	0.39 in	1.535 in	0.512 in	11.476 in	0.78 lb
9121	Metric	21 mm	1.811 in	0.39 in	1.535 in	0.512 in	11.476 in	0.81 lb
9122	Metric	22 mm	1.811 in	0.39 in	1.535 in	0.512 in	11.476 in	0.80 lb
9124	Metric	24 mm	2.055 in	0.429 in	1.791 in	0.571 in	13.114 in	1.15 lb
9125D	Metric	25 mm	2.055 in	0.429 in	1.791 in	0.571 in	13.114 in	1.16 lb
9127D	Metric	27 mm	2.22 in	0.571 in	1.929 in	0.61 in	14.142 in	1.32 lb
9130D	Metric	30 mm	2.469 in	0.492 in	2.154 in	0.669 in	15.846 in	1.75 lb
9132	Metric	32 mm	2.634 in	0.508 in	2.283 in	0.689 in	16.764 in	2.21 lb
9134D	Metric	34 mm	2.744 in	0.539 in	2.362 in	0.689 in	18.11 in	2.61 lb
9136	Metric	36 mm	3.114 in	0.646 in	2.52 in	0.807 in	19.685 in	4.45 lb
9141D	Metric	41 mm	3.409 in	0.709 in	2.677 in	0.866 in	22.638 in	5.73 lb
9146D	Metric	46 mm	3.85 in	0.835 in	2.992 in	0.984 in	25.394 in	7.92 lb
9150	Metric	50 mm	4.134 in	0.835 in	3.15 in	1.043 in	25.787 in	8.78 lb

### 14 Pc. 12 Point SAE/Metric Stubby Combination Ratcheting Wrench Set

- 72 tooth ratcheting box end needs a minimal 5° to move fasteners vs. 30° for standard wrenches
- Off-corner loading design on box end provides better grip and reduces fastener rounding
- Thin head and beam provide greater access in confined work areas
- Manufactured from alloy steel for better strength and longer tool life
- Bright, full polish chrome finish easily wipes clean and resists corrosion
- Stubby beam length for when clearance is limited
- Meets or exceeds ASME and ANSI specifications
- Included tray for storage and organization



Cat. No.	Included Storage	Product Weight
85206	Tray	3.740 lb

Cat. No.	Description	Cat. No.	Description
9500DD	3/8" 12 Point Stubby Ratcheting Combination Wrench	9510DD	10mm 12 Point Stubby Ratcheting Combination Wrench
9501DD	7/16" 12 Point Stubby Ratcheting Combination Wrench	9511D	11mm 12 Point Stubby Ratcheting Combination Wrench
9502D	1/2" 12 Point Stubby Ratcheting Combination Wrench	9512D	12mm 12 Point Stubby Ratcheting Combination Wrench
9503D	9/16" 12 Point Stubby Ratcheting Combination Wrench	9513D	13mm 12 Point Stubby Ratcheting Combination Wrench
9504D	5/8" 12 Point Stubby Ratcheting Combination Wrench	9514D	14mm 12 Point Stubby Ratcheting Combination Wrench
9505D	11/16" 12 Point Stubby Ratcheting Combination Wrench	9515D	15mm 12 Point Stubby Ratcheting Combination Wrench
9506D	3/4" 12 Point Stubby Ratcheting Combination Wrench	9518D	18mm 12 Point Stubby Ratcheting Combination Wrench

### 7 Pc. 12 Point SAE Stubby Combination Ratcheting Wrench Set

- 72 tooth ratcheting box end needs a minimal 5° to move fasteners vs. 30° for standard wrenches
- Off-corner loading design on box end provides better grip and reduces fastener rounding
- Thin head and beam provide greater access in confined work areas
- Manufactured from alloy steel for better strength and longer tool life
- Bright, full polish chrome finish easily wipes clean and resists corrosion
- Stubby beam length for when clearance is limited
- Meets or exceeds ASME and ANSI specifications
- Included tray for storage and organization



Cat. No.	Included Storage	Product Weight
9507D	Tray	1.82 lb

Cat. No.	Description	Cat. No.	Description
9500DD	3/8" 12 Point Stubby Ratcheting Combination Wrench	9504D	5/8" 12 Point Stubby Ratcheting Combination Wrench
9501DD	7/16" 12 Point Stubby Ratcheting Combination Wrench	9505D	11/16" 12 Point Stubby Ratcheting Combination Wrench
9502D	1/2" 12 Point Stubby Ratcheting Combination Wrench	9506D	3/4" 12 Point Stubby Ratcheting Combination Wrench
9503D	9/16" 12 Point Stubby Ratcheting Combination Wrench		

### 10 Pc. 12 Point Metric Stubby Combination Ratcheting Wrench Set

- 72 tooth ratcheting box end needs a minimal 5° to move fasteners vs. 30° for standard wrenches
- Off-corner loading design on box end provides better grip and reduces fastener rounding
- Thin head and beam provide greater access in confined work areas
- Manufactured from alloy steel for better strength and longer tool life
- Bright, full polish chrome finish easily wipes clean and resists corrosion
- Stubby beam length for when clearance is limited
- Meets or exceeds ASME and ANSI specifications
- Included tray for storage and organization



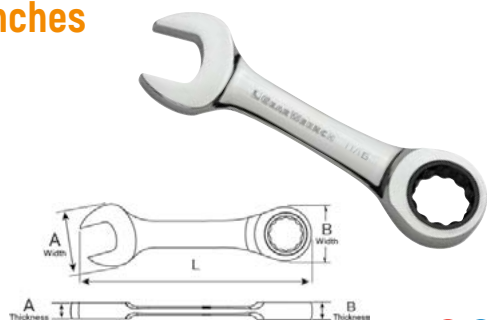
Cat. No.	Included Storage	Product Weight
9520D	Tray	2.30 lb

Cat. No.	Description	Cat. No.	Description
9510DD	10mm 12 Point Stubby Ratcheting Combination Wrench	9515D	15mm 12 Point Stubby Ratcheting Combination Wrench
9511D	11mm 12 Point Stubby Ratcheting Combination Wrench	9516D	16mm 12 Point Stubby Ratcheting Combination Wrench
9512D	12mm 12 Point Stubby Ratcheting Combination Wrench	9517D	17mm 12 Point Stubby Ratcheting Combination Wrench
9513D	13mm 12 Point Stubby Ratcheting Combination Wrench	9518D	18mm 12 Point Stubby Ratcheting Combination Wrench
9514D	14mm 12 Point Stubby Ratcheting Combination Wrench	9519D	19mm 12 Point Stubby Ratcheting Combination Wrench



### 12 Point Stubby Combination Ratcheting Wrenches

- 72 tooth ratcheting box end needs a minimal 5° to move fasteners vs. 30° for standard wrenches
- Off-corner loading design on box end provides better grip and reduces fastener rounding
- Thin head and beam provide greater access in confined work areas
- Manufactured from alloy steel for better strength and longer tool life
- Bright, full polish chrome finish easily wipes clean and resists corrosion
- Stubby beam length for when clearance is limited
- Meets or exceeds ASME and ANSI specifications



Cat. No.	SAE/Metric	Fastener Size	End A Width	End A Thickness	End B Width	End B Thickness	Overall Length	Product Weight
9500DD	SAE	3/8 in	0.862 in	0.224 in	0.78 in	0.303 in	3.701 in	0.08 lb
9501DD	SAE	7/16 in	0.953 in	0.252 in	0.854 in	0.323 in	4.016 in	0.15 lb
9502D	SAE	1/2 in	1.146 in	0.319 in	0.984 in	0.339 in	4.213 in	0.18 lb
9503D	SAE	9/16 in	1.228 in	0.327 in	1.035 in	0.37 in	4.488 in	0.20 lb
9504D	SAE	5/8 in	1.358 in	0.346 in	1.201 in	0.406 in	4.803 in	0.22 lb
9505D	SAE	11/16 in	1.492 in	0.362 in	1.272 in	0.421 in	4.961 in	0.24 lb
9506D	SAE	3/4 in	1.626 in	0.374 in	1.339 in	0.441 in	5.433 in	0.31 lb
9510DD	Metric	10 mm	0.862 in	0.224 in	0.78 in	0.303 in	3.701 in	0.08 lb
9511D	Metric	11 mm	0.953 in	0.252 in	0.854 in	0.323 in	4.016 in	0.10 lb
9512D	Metric	12 mm	1.047 in	0.291 in	0.906 in	0.339 in	4.134 in	0.12 lb
9513D	Metric	13 mm	1.146 in	0.319 in	0.984 in	0.339 in	4.213 in	0.13 lb
9514D	Metric	14 mm	1.228 in	0.327 in	1.035 in	0.37 in	4.488 in	0.16 lb
9515D	Metric	15 mm	1.327 in	0.327 in	1.13 in	0.39 in	4.646 in	0.2 lb
9516D	Metric	16 mm	1.358 in	0.346 in	1.201 in	0.406 in	4.803 in	0.21 lb
9517D	Metric	17 mm	1.492 in	0.362 in	1.272 in	0.421 in	4.961 in	0.25 lb
9518D	Metric	18 mm	1.583 in	0.37 in	1.307 in	0.441 in	5.118 in	0.29 lb
9519D	Metric	19 mm	1.626 in	0.374 in	1.339 in	0.441 in	5.433 in	0.32 lb

### 9 Pc. 12 Point SAE XL X-Beam™ Combination Ratcheting Wrench Set

- 72 tooth ratcheting box end needs a minimal 5° to move fasteners vs. 30° for standard wrenches
- X-Beam™ design lets you apply force to the flat side of the wrench, reducing hand fatigue
- Longer beam provides greater access to confined work areas vs. standard length wrenches
- Off-corner loading design on box end provides better grip and reduces fastener rounding
- One piece forged beam design with no weak spots for twisting
- Manufactured from alloy steel for better strength and longer tool life
- Bright, full polish chrome finish easily wipes clean and resists corrosion
- Included tray for storage and organization



Cat. No.	Included Storage	Product Weight
85898	Tray	2.95 lb



Cat. No.	Description	Cat. No.	Description
85850	5/16" 12 Point XL X-Beam™ Ratcheting Combination Wrench	85858	9/16" 12 Point XL X-Beam™ Ratcheting Combination Wrench
85851	11/32" 12 Point XL X-Beam™ Ratcheting Combination Wrench	85860	5/8" 12 Point XL X-Beam™ Ratcheting Combination Wrench
85852	3/8" 12 Point XL X-Beam™ Ratcheting Combination Wrench	85862	11/16" 12 Point XL X-Beam™ Ratcheting Combination Wrench
85854	7/16" 12 Point XL X-Beam™ Ratcheting Combination Wrench	85864	3/4" 12 Point XL X-Beam™ Ratcheting Combination Wrench
85856	1/2" 12 Point XL X-Beam™ Ratcheting Combination Wrench		

### 12 Pc. 12 Point Metric XL X-Beam™ Combination Ratcheting Wrench Set

- 72 tooth ratcheting box end needs a minimal 5° to move fasteners vs. 30° for standard wrenches
- X-Beam™ design lets you apply force to the flat side of the wrench, reducing hand fatigue
- Longer beam provides greater access to confined work areas vs. standard length wrenches
- Off-corner loading design on box end provides better grip and reduces fastener rounding
- One piece forged beam design with no weak spots for twisting
- Manufactured from alloy steel for better strength and longer tool life
- Bright, full polish chrome finish easily wipes clean and resists corrosion
- Included tray for storage and organization



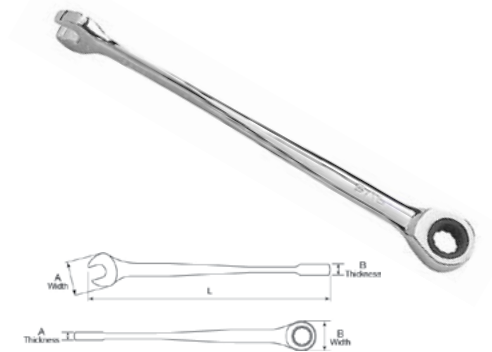
Cat. No.	Included Storage	Product Weight
85888	Tray	4.12 lb



Cat. No.	Description	Cat. No.	Description
85808	8mm 12 Point XL X-Beam™ Ratcheting Combination Wrench	85814	14mm 12 Point XL X-Beam™ Ratcheting Combination Wrench
85809	9mm 12 Point XL X-Beam™ Ratcheting Combination Wrench	85815	15mm 12 Point XL X-Beam™ Ratcheting Combination Wrench
85810	10mm 12 Point XL X-Beam™ Ratcheting Combination Wrench	85816	16mm 12 Point XL X-Beam™ Ratcheting Combination Wrench
85811	11mm 12 Point XL X-Beam™ Ratcheting Combination Wrench	85817	17mm 12 Point XL X-Beam™ Ratcheting Combination Wrench
85812	12mm 12 Point XL X-Beam™ Ratcheting Combination Wrench	85818	18mm 12 Point XL X-Beam™ Ratcheting Combination Wrench
85813	13mm 12 Point XL X-Beam™ Ratcheting Combination Wrench	85819	19mm 12 Point XL X-Beam™ Ratcheting Combination Wrench

### 12 Point XL X-Beam™ Combination Ratcheting Wrenches

- 72 tooth ratcheting box end needs a minimal 5° to move fasteners vs. 30° for standard wrenches
- X-Beam™ design lets you apply force to the flat side of the wrench, reducing hand fatigue
- Longer beam provides greater access to confined work areas vs. standard length wrenches
- Off-corner loading design on box end provides better grip and reduces fastener rounding
- One piece forged beam design with no weak spots for twisting
- Manufactured from alloy steel for better strength and longer tool life
- Bright, full polish chrome finish easily wipes clean and resists corrosion



Cat. No.	SAE/Metric	Fastener Size	End A Width	End A Thickness	End B Width	End B Thickness	Overall Length	Product Weight
85850	SAE	5/16 in	0.77 in	0.20 in	0.67 in	0.27 in	5.91 in	0.09 lb
85851	SAE	11/32 in	0.77 in	0.21 in	0.7 in	0.27 in	6.5 in	0.11 lb
85852	SAE	3/8 in	0.86 in	0.22 in	0.78 in	0.3 in	7.09 in	0.13 lb
85854	SAE	7/16 in	0.95 in	0.25 in	0.85 in	0.32 in	7.68 in	0.17 lb
85856	SAE	1/2 in	1.15 in	0.32 in	0.98 in	0.34 in	8.66 in	0.25 lb
85858	SAE	9/16 in	1.23 in	0.33 in	1.04 in	0.37 in	9.25 in	0.29 lb
85860	SAE	5/8 in	1.36 in	0.35 in	1.2 in	0.41 in	10.24 in	0.41 lb
85862	SAE	11/16 in	1.49 in	0.36 in	1.27 in	0.42 in	10.83 in	0.53 lb
85864	SAE	3/4 in	1.63 in	0.37 in	1.34 in	0.44 in	12.01 in	0.65 lb
85808	Metric	8 mm	0.77 in	0.20 in	0.67 in	0.27 in	5.91 in	0.09 lb
85809	Metric	9 mm	0.77 in	0.21 in	0.7 in	0.27 in	6.5 in	0.11 lb
85810	Metric	10 mm	0.86 in	0.22 in	0.78 in	0.3 in	7.09 in	0.13 lb
85811	Metric	11 mm	0.95 in	0.25 in	0.85 in	0.32 in	7.68 in	0.13 lb
85812	Metric	12 mm	1.05 in	0.29 in	0.91 in	0.34 in	8.15 in	0.15 lb
85813	Metric	13 mm	1.15 in	0.32 in	0.98 in	0.34 in	8.66 in	0.17 lb
85814	Metric	14 mm	1.23 in	0.33 in	1.04 in	0.37 in	9.25 in	0.21 lb
85815	Metric	15 mm	1.33 in	0.33 in	1.13 in	0.39 in	9.84 in	0.25 lb
85816	Metric	16 mm	1.36 in	0.35 in	1.2 in	0.41 in	10.24 in	0.29 lb
85817	Metric	17 mm	1.49 in	0.36 in	1.27 in	0.42 in	10.83 in	0.33 lb
85818	Metric	18 mm	1.58 in	0.37 in	1.31 in	0.44 in	11.42 in	0.41 lb
85819	Metric	19 mm	1.63 in	0.37 in	1.34 in	0.44 in	12.01 in	0.46 lb

### 14 Pc. 12 Point SAE/Metric Reversible Combination Ratcheting Wrench Set

- 72 tooth ratcheting box end needs a minimal 5° to move fasteners vs. 30° for standard wrenches
- Flush mounted reversing lever allows you to change direction without removing the wrench
- Off-corner loading design on box end provides better grip and reduces fastener rounding
- 15° offset offers increased clearance
- Meets or exceeds ASME and ANSI specifications
- Bright, full polish chrome finish easily wipes clean and resists corrosion
- Included tray for storage and organization



Cat. No.	Included Storage	Product Weight
85142	Tray	5.500 lb

Cat. No.	Description	Cat. No.	Description
9526ND	3/8" 12 Point Reversible Ratcheting Combination Wrench	9610N	10mm 12 Point Reversible Ratcheting Combination Wrench
9527N	7/16" 12 Point Reversible Ratcheting Combination Wrench	9612N	12mm 12 Point Reversible Ratcheting Combination Wrench
9528N	1/2" 12 Point Reversible Ratcheting Combination Wrench	9613N	13mm 12 Point Reversible Ratcheting Combination Wrench
9529N	9/16" 12 Point Reversible Ratcheting Combination Wrench	9614N	14mm 12 Point Reversible Ratcheting Combination Wrench
9530ND	5/8" 12 Point Reversible Ratcheting Combination Wrench	9615N	15mm 12 Point Reversible Ratcheting Combination Wrench
9531ND	11/16" 12 Point Reversible Ratcheting Combination Wrench	9617N	17mm 12 Point Reversible Ratcheting Combination Wrench
9532N	3/4" 12 Point Reversible Ratcheting Combination Wrench	9619N	19mm 12 Point Reversible Ratcheting Combination Wrench

### 13 Pc. 12 Point SAE Reversible Combination Ratcheting Wrench Set with Roll

- 72 tooth ratcheting box end needs a minimal 5° to move fasteners vs. 30° for standard wrenches
- Flush mounted reversing lever allows you to change direction without removing the wrench
- Off-corner loading design on box end provides better grip and reduces fastener rounding
- 15° offset offers increased clearance
- Thin head and beam provide greater access in confined work areas
- Size conveniently stamped on the head and beam for quick identification
- Manufactured from alloy steel for better strength and longer tool life
- Bright, full polish chrome finish easily wipes clean and resists corrosion
- Meets or exceeds ASME and ANSI specifications
- Included tool roll for storage and organization



Cat. No.	Included Storage	Product Weight
9509RN	Tool Roll	6.680 lb

Cat. No.	Description	Cat. No.	Description
9525ND	5/16" 12 Point Reversible Ratcheting Combination Wrench	9531ND	11/16" 12 Point Reversible Ratcheting Combination Wrench
9521ND	11/32" 12 Point Reversible Ratcheting Combination Wrench	9532N	3/4" 12 Point Reversible Ratcheting Combination Wrench
9526ND	3/8" 12 Point Reversible Ratcheting Combination Wrench	9534N	13/16" 12 Point Reversible Ratcheting Combination Wrench
9527N	7/16" 12 Point Reversible Ratcheting Combination Wrench	9538N	7/8" 12 Point Reversible Ratcheting Combination Wrench
9528N	1/2" 12 Point Reversible Ratcheting Combination Wrench	9539N	15/16" 12 Point Reversible Ratcheting Combination Wrench
9529N	9/16" 12 Point Reversible Ratcheting Combination Wrench	9540N	1" 12 Point Reversible Ratcheting Combination Wrench
9530ND	5/8" 12 Point Reversible Ratcheting Combination Wrench		

### 13 Pc. 12 Point SAE Reversible Combination Ratcheting Wrench Set

- 72 tooth ratcheting box end needs a minimal 5° to move fasteners vs. 30° for standard wrenches
- Flush mounted reversing lever allows you to change direction without removing the wrench
- Off-corner loading design on box end provides better grip and reduces fastener rounding
- 15° offset offers increased clearance
- Thin head and beam provide greater access in confined work areas
- Size conveniently stamped on the head and beam for quick identification
- Manufactured from alloy steel for better strength and longer tool life
- Bright, full polish chrome finish easily wipes clean and resists corrosion
- Meets or exceeds ASME and ANSI specifications
- Included rack for storage and organization



Cat. No.	Included Storage	Product Weight
9509N	Wrench Rack	6.65 lb



Cat. No.	Description	Cat. No.	Description
9525ND	5/16" 12 Point Reversible Ratcheting Combination Wrench	9531ND	11/16" 12 Point Reversible Ratcheting Combination Wrench
9521ND	11/32" 12 Point Reversible Ratcheting Combination Wrench	9532N	3/4" 12 Point Reversible Ratcheting Combination Wrench
9526ND	3/8" 12 Point Reversible Ratcheting Combination Wrench	9534N	13/16" 12 Point Reversible Ratcheting Combination Wrench
9527N	7/16" 12 Point Reversible Ratcheting Combination Wrench	9538N	7/8" 12 Point Reversible Ratcheting Combination Wrench
9528N	1/2" 12 Point Reversible Ratcheting Combination Wrench	9539N	15/16" 12 Point Reversible Ratcheting Combination Wrench
9529N	9/16" 12 Point Reversible Ratcheting Combination Wrench	9540N	1" 12 Point Reversible Ratcheting Combination Wrench
9530ND	5/8" 12 Point Reversible Ratcheting Combination Wrench		

### 10 Pc. 12 Point SAE Reversible Combination Ratcheting Wrench Set with Roll

- 72 tooth ratcheting box end needs a minimal 5° to move fasteners vs. 30° for standard wrenches
- Flush mounted reversing lever allows you to change direction without removing the wrench
- Off-corner loading design on box end provides better grip and reduces fastener rounding
- 15° offset offers increased clearance
- Thin head and beam provide greater access in confined work areas
- Size conveniently stamped on the head and beam for quick identification
- Manufactured from alloy steel for better strength and longer tool life
- Bright, full polish chrome finish easily wipes clean and resists corrosion
- Meets or exceeds ASME and ANSI specifications
- Included tool roll for storage and organization



Cat. No.	Included Storage	Product Weight
85891	Tool Roll	4.630 lb



Cat. No.	Description	Cat. No.	Description
9525ND	5/16" 12 Point Reversible Ratcheting Combination Wrench	9530ND	5/8" 12 Point Reversible Ratcheting Combination Wrench
9526ND	3/8" 12 Point Reversible Ratcheting Combination Wrench	9531ND	11/16" 12 Point Reversible Ratcheting Combination Wrench
9527N	7/16" 12 Point Reversible Ratcheting Combination Wrench	9532N	3/4" 12 Point Reversible Ratcheting Combination Wrench
9528N	1/2" 12 Point Reversible Ratcheting Combination Wrench	9534N	13/16" 12 Point Reversible Ratcheting Combination Wrench
9529N	9/16" 12 Point Reversible Ratcheting Combination Wrench	9538N	7/8" 12 Point Reversible Ratcheting Combination Wrench



### 8 Pc. 12 Point SAE Reversible Combination Ratcheting Wrench Set

- 72 tooth ratcheting box end needs a minimal 5° to move fasteners vs. 30° for standard wrenches
- Flush mounted reversing lever allows you to change direction without removing the wrench
- Off-corner loading design on box end provides better grip and reduces fastener rounding
- 15° offset offers increased clearance
- Thin head and beam provide greater access in confined work areas
- Size conveniently stamped on the head and beam for quick identification
- Manufactured from alloy steel for better strength and longer tool life
- Bright, full polish chrome finish easily wipes clean and resists rust and corrosion
- Meets or exceeds ASME and ANSI specifications
- Included rack for storage and organization



Cat. No.	Included Storage	Product Weight
9533N	Wrench Rack	2.71 lb

Cat. No.	Description	Cat. No.	Description
9525ND	5/16" 12 Point Reversible Ratcheting Combination Wrench	9529N	9/16" 12 Point Reversible Ratcheting Combination Wrench
9526ND	3/8" 12 Point Reversible Ratcheting Combination Wrench	9530ND	5/8" 12 Point Reversible Ratcheting Combination Wrench
9527N	7/16" 12 Point Reversible Ratcheting Combination Wrench	9531ND	11/16" 12 Point Reversible Ratcheting Combination Wrench
9528N	1/2" 12 Point Reversible Ratcheting Combination Wrench	9532N	3/4" 12 Point Reversible Ratcheting Combination Wrench

### 7 Pc. 12 Point SAE Reversible Combination Ratcheting Wrench Set with Roll

- 72 tooth ratcheting box end needs a minimal 5° to move fasteners vs. 30° for standard wrenches
- Flush mounted reversing lever allows you to change direction without removing the wrench
- Off-corner loading design on box end provides better grip and reduces fastener rounding
- 15° offset offers increased clearance
- Thin head and beam provide greater access in confined work areas
- Size conveniently stamped on the head and beam for quick identification
- Manufactured from alloy steel for better strength and longer tool life
- Bright, full polish chrome finish easily wipes clean and resists corrosion
- Meets or exceeds ASME and ANSI specifications
- Included tool roll for storage and organization



Cat. No.	Included Storage	Product Weight
9567RN	Tool Roll	2.30 lb

Cat. No.	Description	Cat. No.	Description
9526ND	3/8" 12 Point Reversible Ratcheting Combination Wrench	9530ND	5/8" 12 Point Reversible Ratcheting Combination Wrench
9527N	7/16" 12 Point Reversible Ratcheting Combination Wrench	9531ND	11/16" 12 Point Reversible Ratcheting Combination Wrench
9528N	1/2" 12 Point Reversible Ratcheting Combination Wrench	9532N	3/4" 12 Point Reversible Ratcheting Combination Wrench
9529N	9/16" 12 Point Reversible Ratcheting Combination Wrench		

### 16 Pc. 12 Point Metric Reversible Combination Ratcheting Wrench Set with Roll

- 72 tooth ratcheting box end needs a minimal 5° to move fasteners vs. 30° for standard wrenches
- Flush mounted reversing lever allows you to change direction without removing the wrench
- Off-corner loading design on box end provides better grip and reduces fastener rounding
- 15° offset offers increased clearance
- Thin head and beam provide greater access in confined work areas
- Size conveniently stamped on the head and beam for quick identification
- Manufactured from alloy steel for better strength and longer tool life
- Bright, full polish chrome finish easily wipes clean and resists corrosion
- Meets or exceeds ASME and ANSI specifications
- Included tool roll for storage and organization



Cat. No.	Included Storage	Product Weight
9602RN	Tool Roll	7.85 lb

Cat. No.	Description	Cat. No.	Description
9608N	8mm 12 Point Reversible Ratcheting Combination Wrench	9616N	16mm 12 Point Reversible Ratcheting Combination Wrench
9609N	9mm 12 Point Reversible Ratcheting Combination Wrench	9617N	17mm 12 Point Reversible Ratcheting Combination Wrench
9610N	10mm 12 Point Reversible Ratcheting Combination Wrench	9618N	18mm 12 Point Reversible Ratcheting Combination Wrench
9611N	11mm 12 Point Reversible Ratcheting Combination Wrench	9619N	19mm 12 Point Reversible Ratcheting Combination Wrench
9612N	12mm 12 Point Reversible Ratcheting Combination Wrench	9621N	21mm 12 Point Reversible Ratcheting Combination Wrench
9613N	13mm 12 Point Reversible Ratcheting Combination Wrench	9622N	22mm 12 Point Reversible Ratcheting Combination Wrench
9614N	14mm 12 Point Reversible Ratcheting Combination Wrench	9624N	24mm 12 Point Reversible Ratcheting Combination Wrench
9615N	15mm 12 Point Reversible Ratcheting Combination Wrench	9625N	25mm 12 Point Reversible Ratcheting Combination Wrench

### 16 Pc. 12 Point Metric Reversible Combination Ratcheting Wrench Set

- 72 tooth ratcheting box end needs a minimal 5° to move fasteners vs. 30° for standard wrenches
- Flush mounted reversing lever allows you to change direction without removing the wrench
- Off-corner loading design on box end provides better grip and reduces fastener rounding
- 15° offset offers increased clearance
- Thin head and beam provide greater access in confined work areas
- Size conveniently stamped on the head and beam for quick identification
- Manufactured from alloy steel for better strength and longer tool life
- Bright, full polish chrome finish easily wipes clean and resists corrosion
- Meets or exceeds ASME and ANSI specifications
- Included rack for storage and organization



Cat. No.	Included Storage	Product Weight
9602N	Wrench Rack	7.54 lb



Cat. No.	Description	Cat. No.	Description
9608N	8mm 12 Point Reversible Ratcheting Combination Wrench	9616N	16mm 12 Point Reversible Ratcheting Combination Wrench
9609N	9mm 12 Point Reversible Ratcheting Combination Wrench	9617N	17mm 12 Point Reversible Ratcheting Combination Wrench
9610N	10mm 12 Point Reversible Ratcheting Combination Wrench	9618N	18mm 12 Point Reversible Ratcheting Combination Wrench
9611N	11mm 12 Point Reversible Ratcheting Combination Wrench	9619N	19mm 12 Point Reversible Ratcheting Combination Wrench
9612N	12mm 12 Point Reversible Ratcheting Combination Wrench	9621N	21mm 12 Point Reversible Ratcheting Combination Wrench
9613N	13mm 12 Point Reversible Ratcheting Combination Wrench	9622N	22mm 12 Point Reversible Ratcheting Combination Wrench
9614N	14mm 12 Point Reversible Ratcheting Combination Wrench	9624N	24mm 12 Point Reversible Ratcheting Combination Wrench
9615N	15mm 12 Point Reversible Ratcheting Combination Wrench	9625N	25mm 12 Point Reversible Ratcheting Combination Wrench

### 12 Pc. 12 Point Metric Reversible Combination Ratcheting Wrench Set

- 72 tooth ratcheting box end needs a minimal 5° to move fasteners vs. 30° for standard wrenches
- Flush mounted reversing lever allows you to change direction without removing the wrench
- Off-corner loading design on box end provides better grip and reduces fastener rounding
- 15° offset offers increased clearance
- Thin head and beam provide greater access in confined work areas
- Size conveniently stamped on the head and beam for quick identification
- Manufactured from alloy steel for better strength and longer tool life
- Bright, full polish chrome finish easily wipes clean and resists corrosion
- Meets or exceeds ASME and ANSI specifications
- Included tray for storage and organization



Cat. No.	Included Storage	Product Weight
9620N	Tray	3.75 lb



Cat. No.	Description	Cat. No.	Description
9608N	8mm 12 Point Reversible Ratcheting Combination Wrench	9614N	14mm 12 Point Reversible Ratcheting Combination Wrench
9609N	9mm 12 Point Reversible Ratcheting Combination Wrench	9615N	15mm 12 Point Reversible Ratcheting Combination Wrench
9610N	10mm 12 Point Reversible Ratcheting Combination Wrench	9616N	16mm 12 Point Reversible Ratcheting Combination Wrench
9611N	11mm 12 Point Reversible Ratcheting Combination Wrench	9617N	17mm 12 Point Reversible Ratcheting Combination Wrench
9612N	12mm 12 Point Reversible Ratcheting Combination Wrench	9618N	18mm 12 Point Reversible Ratcheting Combination Wrench
9613N	13mm 12 Point Reversible Ratcheting Combination Wrench	9619N	19mm 12 Point Reversible Ratcheting Combination Wrench

### 10 Pc. 12 Point Metric Reversible Combination Ratcheting Wrench Set with Roll

- 72 tooth ratcheting box end needs a minimal 5° to move fasteners vs. 30° for standard wrenches
- Flush mounted reversing lever allows you to change direction without removing the wrench
- Off-corner loading design on box end provides better grip and reduces fastener rounding
- 15° offset offers increased clearance
- Thin head and beam provide greater access in confined work areas
- Size conveniently stamped on the head and beam for quick identification
- Manufactured from alloy steel for better strength and longer tool life
- Bright, full polish chrome finish easily wipes clean and resists corrosion
- Meets or exceeds ASME and ANSI specifications
- Included tool roll for storage and organization



Cat. No.	Included Storage	Product Weight
85892	Tool Roll	3.960 lb



Cat. No.	Description	Cat. No.	Description
9608N	8mm 12 Point Reversible Ratcheting Combination Wrench	9615N	15mm 12 Point Reversible Ratcheting Combination Wrench
9610N	10mm 12 Point Reversible Ratcheting Combination Wrench	9616N	16mm 12 Point Reversible Ratcheting Combination Wrench
9612N	12mm 12 Point Reversible Ratcheting Combination Wrench	9617N	17mm 12 Point Reversible Ratcheting Combination Wrench
9613N	13mm 12 Point Reversible Ratcheting Combination Wrench	9618N	18mm 12 Point Reversible Ratcheting Combination Wrench
9614N	14mm 12 Point Reversible Ratcheting Combination Wrench	9619N	19mm 12 Point Reversible Ratcheting Combination Wrench

### 10 Pc. 12 Point Metric Reversible Combination Ratcheting Wrench Set with Roll

- 72 tooth ratcheting box end needs a minimal 5° to move fasteners vs. 30° for standard wrenches
- Flush mounted reversing lever allows you to change direction without removing the wrench
- Off-corner loading design on box end provides better grip and reduces fastener rounding
- 15° offset offers increased clearance
- Thin head and beam provide greater access in confined work areas
- Size conveniently stamped on the head and beam for quick identification
- Manufactured from alloy steel for better strength and longer tool life
- Bright, full polish chrome finish easily wipes clean and resists rust and corrosion
- Meets or exceeds ASME and ANSI specifications
- Included tool roll for storage and organization



Cat. No.	Included Storage	Product Weight
9601RN	Tool Roll	3.60 lb



Cat. No.	Description	Cat. No.	Description
9610N	10mm 12 Point Reversible Ratcheting Combination Wrench	9615N	15mm 12 Point Reversible Ratcheting Combination Wrench
9611N	11mm 12 Point Reversible Ratcheting Combination Wrench	9616N	16mm 12 Point Reversible Ratcheting Combination Wrench
9612N	12mm 12 Point Reversible Ratcheting Combination Wrench	9617N	17mm 12 Point Reversible Ratcheting Combination Wrench
9613N	13mm 12 Point Reversible Ratcheting Combination Wrench	9618N	18mm 12 Point Reversible Ratcheting Combination Wrench
9614N	14mm 12 Point Reversible Ratcheting Combination Wrench	9619N	19mm 12 Point Reversible Ratcheting Combination Wrench

### 8 Pc. 12 Point Metric Reversible Combination Ratcheting Wrench Set

- 72 tooth ratcheting box end needs a minimal 5° to move fasteners vs. 30° for standard wrenches
- Flush mounted reversing lever allows you to change direction without removing the wrench
- Off-corner loading design on box end provides better grip and reduces fastener rounding
- 15° offset offers increased clearance
- Thin head and beam provide greater access in confined work areas
- Size conveniently stamped on the head and beam for quick identification
- Manufactured from alloy steel for better strength and longer tool life
- Bright, full polish chrome finish easily wipes clean and resists corrosion
- Meets or exceeds ASME and ANSI specifications
- Included tray for storage and organization



Cat. No.	Included Storage	Product Weight
9543	Tray	2.71 lb



Cat. No.	Description	Cat. No.	Description
9608N	8mm 12 Point Reversible Ratcheting Combination Wrench	9614N	14mm 12 Point Reversible Ratcheting Combination Wrench
9610N	10mm 12 Point Reversible Ratcheting Combination Wrench	9615N	15mm 12 Point Reversible Ratcheting Combination Wrench
9612N	12mm 12 Point Reversible Ratcheting Combination Wrench	9617N	17mm 12 Point Reversible Ratcheting Combination Wrench
9613N	13mm 12 Point Reversible Ratcheting Combination Wrench	9619N	19mm 12 Point Reversible Ratcheting Combination Wrench

### 12 Point Reversible Combination Ratcheting Wrenches

- 72 tooth ratcheting box end needs a minimal 5° to move fasteners vs. 30° for standard wrenches
- Flush mounted reversing lever allows you to change direction without removing the wrench
- Off-corner loading design on box end provides better grip and reduces fastener rounding
- 15° offset offers increased clearance
- Thin head and beam provide greater access in confined work areas
- Size conveniently stamped on the head and beam for quick identification
- Manufactured from alloy steel for better strength and longer tool life
- Bright, full polish chrome finish easily wipes clean and resists corrosion
- Meets or exceeds ASME and ANSI specifications



Cat. No.	SAE/Metric	Fastener Size	End A Width	End A Thickness	End B Width	End B Thickness	Overall Length	Product Weight
9525ND	SAE	5/16 in	0.768 in	0.197 in	0.665 in	0.272 in	5.433 in	0.11 lb
9521ND	SAE	11/32 in	0.768 in	0.213 in	0.701 in	0.272 in	5.795 in	0.12 lb
9526ND	SAE	3/8 in	0.862 in	0.224 in	0.78 in	0.303 in	6.169 in	0.14 lb
9527N	SAE	7/16 in	0.953 in	0.252 in	0.854 in	0.323 in	6.413 in	0.16 lb
9528N	SAE	1/2 in	1.146 in	0.319 in	0.984 in	0.339 in	6.902 in	0.22 lb
9529N	SAE	9/16 in	1.228 in	0.327 in	1.035 in	0.37 in	7.398 in	0.27 lb
9530ND	SAE	5/8 in	1.358 in	0.346 in	1.201 in	0.406 in	8.087 in	0.34 lb
9531ND	SAE	11/16 in	1.492 in	0.362 in	1.272 in	0.421 in	8.74 in	0.40 lb
9532N	SAE	3/4 in	1.626 in	0.374 in	1.339 in	0.441 in	9.594 in	0.53 lb
9534N	SAE	13/16 in	1.811 in	0.39 in	1.535 in	0.512 in	11.476 in	0.91 lb
9538N	SAE	7/8 in	1.811 in	0.39 in	1.535 in	0.512 in	11.476 in	1.17 lb
9539N	SAE	15/16 in	2.055 in	0.429 in	1.791 in	0.571 in	14 in	1.27 lb
9540N	SAE	1 in	2.055 in	0.429 in	1.791 in	0.571 in	14 in	1.32 lb
9608N	Metric	8 mm	0.768 in	0.197 in	0.665 in	0.272 in	5.433 in	0.10 lb
9609N	Metric	9 mm	0.768 in	0.213 in	0.701 in	0.272 in	5.795 in	0.11 lb
9610N	Metric	10 mm	0.862 in	0.224 in	0.78 in	0.303 in	6.169 in	0.14 lb
9611N	Metric	11 mm	0.953 in	0.252 in	0.854 in	0.323 in	6.413 in	0.15 lb
9612N	Metric	12 mm	1.047 in	0.291 in	0.906 in	0.339 in	6.657 in	0.37 lb
9613N	Metric	13 mm	1.146 in	0.319 in	0.984 in	0.339 in	6.902 in	0.23 lb
9614N	Metric	14 mm	1.228 in	0.327 in	1.035 in	0.37 in	7.398 in	0.26 lb
9615N	Metric	15 mm	1.327 in	0.327 in	1.13 in	0.39 in	7.748 in	0.30 lb
9616N	Metric	16 mm	1.358 in	0.346 in	1.201 in	0.406 in	8.087 in	0.40 lb
9617N	Metric	17 mm	1.492 in	0.362 in	1.272 in	0.421 in	8.74 in	0.42 lb
9618N	Metric	18 mm	1.583 in	0.37 in	1.307 in	0.441 in	9.169 in	0.45 lb
9619N	Metric	19 mm	1.626 in	0.374 in	1.339 in	0.441 in	9.594 in	0.54 lb
9621N	Metric	21 mm	1.811 in	0.39 in	1.535 in	0.512 in	11.476 in	0.88 lb
9622N	Metric	22 mm	1.811 in	0.39 in	1.535 in	0.512 in	11.476 in	1.01 lb
9624N	Metric	24 mm	2.055 in	0.429 in	1.791 in	0.571 in	14 in	1.15 lb
9625N	Metric	25 mm	2.055 in	0.429 in	1.791 in	0.571 in	14 in	1.27 lb



### 9 Pc. 12 Point SAE XL X-Beam™ Reversible Combination Ratcheting Wrench Set

- 72 tooth ratcheting box end needs a minimal 5° to move fasteners vs. 30° for standard wrenches
- X-Beam™ design lets you apply force to the flat side of the wrench, reducing hand fatigue
- Longer beam provides greater access to confined work areas vs. standard length wrenches
- Off-corner loading design on box end provides better grip and reduces fastener rounding
- One piece forged beam design with no weak spots for twisting
- Flush mounted reversing lever allows you to change direction without removing the wrench
- Manufactured from alloy steel for better strength and longer tool life
- Bright, full polish chrome finish easily wipes clean and resists corrosion
- Included tray for storage and organization



Cat. No.	Included Storage	Product Weight
85398	Tray	3.84 lb



Cat. No.	Description	Cat. No.	Description
85360	5/16" 12 Point Reversible XL X-Beam™ Ratcheting Combination Wrench	85368	9/16" 12 Point Reversible XL X-Beam™ Ratcheting Combination Wrench
85361	11/32" 12 Point Reversible XL X-Beam™ Ratcheting Combination Wrench	85370	5/8" 12 Point Reversible XL X-Beam™ Ratcheting Combination Wrench
85362	3/8" 12 Point Reversible XL X-Beam™ Ratcheting Combination Wrench	85372	11/16" 12 Point Reversible XL X-Beam™ Ratcheting Combination Wrench
85364	7/16" 12 Point Reversible XL X-Beam™ Ratcheting Combination Wrench	85374	3/4" 12 Point Reversible XL X-Beam™ Ratcheting Combination Wrench
85366	1/2" 12 Point Reversible XL X-Beam™ Ratcheting Combination Wrench		

### 12 Pc. 12 Point Metric XL X-Beam™ Reversible Combination Ratcheting Wrench Set

- 72 tooth ratcheting box end needs a minimal 5° to move fasteners vs. 30° for standard wrenches
- X-Beam™ design lets you apply force to the flat side of the wrench, reducing hand fatigue
- Longer beam provides greater access to confined work areas vs. standard length wrenches
- Off-corner loading design on box end provides better grip and reduces fastener rounding
- One piece forged beam design with no weak spots for twisting
- Flush mounted reversing lever allows you to change direction without removing the wrench
- Manufactured from alloy steel for better strength and longer tool life
- Bright, full polish chrome finish easily wipes clean and resists corrosion
- Included tray for storage and organization



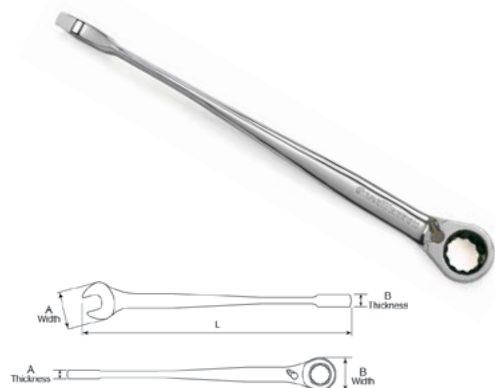
Cat. No.	Included Storage	Product Weight
85388	Tray	5.06 lb



Cat. No.	Description	Cat. No.	Description
85308	8mm 12 Point Reversible XL X-Beam™ Ratcheting Combination Wrench	85314	14mm 12 Point Reversible XL X-Beam™ Ratcheting Combination Wrench
85309	9mm 12 Point Reversible XL X-Beam™ Ratcheting Combination Wrench	85315	15mm 12 Point Reversible XL X-Beam™ Ratcheting Combination Wrench
85310D	10mm 12 Point Reversible XL X-Beam™ Ratcheting Combination Wrench	85316	16mm 12 Point Reversible XL X-Beam™ Ratcheting Combination Wrench
85311	11mm 12 Point Reversible XL X-Beam™ Ratcheting Combination Wrench	85317	17mm 12 Point Reversible XL X-Beam™ Ratcheting Combination Wrench
85312D	12mm 12 Point Reversible XL X-Beam™ Ratcheting Combination Wrench	85318	18mm 12 Point Reversible XL X-Beam™ Ratcheting Combination Wrench
85313	13mm 12 Point Reversible XL X-Beam™ Ratcheting Combination Wrench	85319D	19mm 12 Point Reversible XL X-Beam™ Ratcheting Combination Wrench

### 12 Point XL X-Beam™ Reversible Combination Ratcheting Wrenches

- 72 tooth ratcheting box end needs a minimal 5° to move fasteners vs. 30° for standard wrenches
- X-Beam™ design lets you apply force to the flat side of the wrench, reducing hand fatigue
- Longer beam provides greater access to confined work areas vs. standard length wrenches
- Off-corner loading design on box end provides better grip and reduces fastener rounding
- One piece forged beam design with no weak spots for twisting
- Flush mounted reversing lever allows you to change direction without removing the wrench
- Manufactured from alloy steel for better strength and longer tool life
- Bright, full polish chrome finish easily wipes clean and resists corrosion



Cat. No.	SAE/Metric	Fastener Size	End A Width	End A Thickness	End B Width	End B Thickness	Overall Length	Product Weight
85360	SAE	5/16 in	0.77 in	0.2 in	0.67 in	0.27 in	5.91 in	0.09 lb
85361	SAE	11/32 in	0.77 in	0.21 in	0.7 in	0.27 in	6.5 in	0.11 lb
85362	SAE	3/8 in	0.86 in	0.22 in	0.78 in	0.3 in	7.09 in	0.15 lb
85364	SAE	7/16 in	0.95 in	0.25 in	0.85 in	0.32 in	7.68 in	0.19 lb
85366	SAE	1/2 in	1.15 in	0.32 in	0.98 in	0.34 in	8.66 in	0.26 lb
85368	SAE	9/16 in	1.23 in	0.33 in	1.04 in	0.37 in	9.25 in	0.31 lb
85370	SAE	5/8 in	1.36 in	0.35 in	1.2 in	0.41 in	10.24 in	0.45 lb
85372	SAE	11/16 in	1.49 in	0.36 in	1.27 in	0.42 in	10.83 in	0.54 lb
85374	SAE	3/4 in	1.63 in	0.37 in	1.34 in	0.44 in	12.01 in	0.66 lb
85308	Metric	8 mm	0.77 in	0.2 in	0.67 in	0.27 in	5.91 in	0.09 lb
85309	Metric	9 mm	0.77 in	0.21 in	0.7 in	0.27 in	6.5 in	0.11 lb
85310D	Metric	10 mm	0.86 in	0.22 in	0.78 in	0.3 in	7.09 in	0.15 lb
85311	Metric	11 mm	0.95 in	0.25 in	0.85 in	0.32 in	7.68 in	0.19 lb
85312D	Metric	12 mm	1.05 in	0.29 in	0.91 in	0.34 in	8.15 in	0.22 lb
85313	Metric	13 mm	1.15 in	0.32 in	0.98 in	0.34 in	8.66 in	0.26 lb
85314	Metric	14 mm	1.23 in	0.33 in	1.04 in	0.37 in	9.25 in	0.31 lb
85315	Metric	15 mm	1.33 in	0.33 in	1.13 in	0.39 in	9.84 in	0.40 lb
85316	Metric	16 mm	1.36 in	0.35 in	1.2 in	0.41 in	10.24 in	0.45 lb
85317	Metric	17 mm	1.49 in	0.36 in	1.27 in	0.42 in	10.83 in	0.54 lb
85318	Metric	18 mm	1.58 in	0.37 in	1.31 in	0.44 in	11.42 in	0.58 lb
85319D	Metric	19 mm	1.63 in	0.37 in	1.34 in	0.44 in	12.01 in	0.66 lb

### 11 Pc. 120XP™ Universal Spline SAE XL Flex Combination Ratcheting Wrench Set



- 120XP™ wrenches have two double stacked 60-tooth pawls (120 positions) providing a 3° swing arc so you can turn fasteners in tighter confines
- Universal spline drive fits 12-point, 6-point, rounded 6-point, spline, External Torx® and square fasteners
- X-Beam™ design is up to 25% longer than standard wrenches for improved reach, leverage, and torque
- Dual-direction off-corner loading for better grip and reduced fastener rounding
- Highly visible, recessed size markings are color coded for easy identification
- Flexible head provides access to hard-to-reach bolts and fasteners
- Manufactured from alloy steel for better strength and longer tool life
- Bright, full polish chrome finish easily wipes clean and resists corrosion
- Included rack for storage and organization



Cat. No.	Included Storage	Product Weight
86247	Wrench Rack	3.395 lb



Cat. No.	Description	Cat. No.	Description
86232	1/4" 120XP™ Universal Spline XL Flex Ratcheting Combination Wrench	86238	1/2" 120XP™ Universal Spline XL Flex Ratcheting Combination Wrench
86233	9/32" 120XP™ Universal Spline XL Flex Ratcheting Combination Wrench	86239	9/16" 120XP™ Universal Spline XL Flex Ratcheting Combination Wrench
86234	5/16" 120XP™ Universal Spline XL Flex Ratcheting Combination Wrench	86240	5/8" 120XP™ Universal Spline XL Flex Ratcheting Combination Wrench
86235	11/32" 120XP™ Universal Spline XL Flex Ratcheting Combination Wrench	86241	11/16" 120XP™ Universal Spline XL Flex Ratcheting Combination Wrench
86236	3/8" 120XP™ Universal Spline XL Flex Ratcheting Combination Wrench	86242	3/4" 120XP™ Universal Spline XL Flex Ratcheting Combination Wrench
86237	7/16" 120XP™ Universal Spline XL Flex Ratcheting Combination Wrench		

### 12 Pc. 120XP™ Universal Spline Metric XL Flex Combination Ratcheting Wrench Set

- 120XP™ wrenches have two double stacked 60-tooth pawls (120 positions) providing a 3° swing arc so you can turn fasteners in tighter confines
- Universal spline drive fits 12-point, 6-point, rounded 6-point, spline, External Torx® and square fasteners
- X-Beam™ design is up to 25% longer than standard wrenches for improved reach, leverage, and torque
- Dual-direction off-corner loading for better grip and reduced fastener rounding
- Highly visible, recessed size markings are color coded for easy identification
- Flexible head provides access to hard-to-reach bolts and fasteners
- Manufactured from alloy steel for better strength and longer tool life
- Bright, full polish chrome finish easily wipes clean and resists corrosion
- Included rack for storage and organization



Cat. No.	Included Storage	Product Weight
86229	Wrench Rack	4.425 lb

Cat. No.	Description	Cat. No.	Description
86208	8mm 120XP™ Universal Spline XL Flex Ratcheting Combination Wrench	86214	14mm 120XP™ Universal Spline XL Flex Ratcheting Combination Wrench
86209	9mm 120XP™ Universal Spline XL Flex Ratcheting Combination Wrench	86215	15mm 120XP™ Universal Spline XL Flex Ratcheting Combination Wrench
86210	10mm 120XP™ Universal Spline XL Flex Ratcheting Combination Wrench	86216	16mm 120XP™ Universal Spline XL Flex Ratcheting Combination Wrench
86211	11mm 120XP™ Universal Spline XL Flex Ratcheting Combination Wrench	86217	17mm 120XP™ Universal Spline XL Flex Ratcheting Combination Wrench
86212	12mm 120XP™ Universal Spline XL Flex Ratcheting Combination Wrench	86218	18mm 120XP™ Universal Spline XL Flex Ratcheting Combination Wrench
86213	13mm 120XP™ Universal Spline XL Flex Ratcheting Combination Wrench	86219	19mm 120XP™ Universal Spline XL Flex Ratcheting Combination Wrench



### 14 Pc. 12 Point SAE/Metric Flex Combination Ratcheting Wrench Set

- 72 tooth ratcheting box end needs a minimal 5° to move fasteners vs. 30° for standard wrenches
- Flexible head provides access to hard-to-reach bolts and fasteners
- Off-corner loading design on box end provides better grip and reduces fastener rounding
- Meets or exceeds ASME and ANSI specifications
- Bright, full polish chrome finish easily wipes clean and resists corrosion
- Included tray for storage and organization



Cat. No.	Included Storage	Product Weight
85141	Tray	5.940 lb



Cat. No.	Description	Cat. No.	Description
9706	3/8" 12 Point Flex Ratcheting Combination Wrench	9910D	10mm 12 Point Flex Ratcheting Combination Wrench
9707	7/16" 12 Point Flex Ratcheting Combination Wrench	9912D	12mm 12 Point Flex Ratcheting Combination Wrench
9708	1/2" 12 Point Flex Ratcheting Combination Wrench	9913D	13mm 12 Point Flex Ratcheting Combination Wrench
9709	9/16" 12 Point Flex Ratcheting Combination Wrench	9914D	14mm 12 Point Flex Ratcheting Combination Wrench
9710	5/8" 12 Point Flex Ratcheting Combination Wrench	9915D	15mm 12 Point Flex Ratcheting Combination Wrench
9711	11/16" 12 Point Flex Ratcheting Combination Wrench	9917	17mm 12 Point Flex Ratcheting Combination Wrench
9712	3/4" 12 Point Flex Ratcheting Combination Wrench	9919D	19mm 12 Point Flex Ratcheting Combination Wrench

### 13 Pc. 12 Point SAE Flex Combination Ratcheting Wrench Set

- 72 tooth ratcheting box end needs a minimal 5° to move fasteners vs. 30° for standard wrenches
- Off-corner loading design on box end provides better grip and reduces fastener rounding
- Thin head and beam provide greater access in confined work areas
- Flexible head provides access to hard-to-reach bolts and fasteners
- Size conveniently stamped on both ends of the beam for quick identification
- Manufactured from alloy steel for better strength and longer tool life
- Bright, full polish chrome finish easily wipes clean and resists corrosion
- Meets or exceeds ASME and ANSI specifications
- Included rack for storage and organization



Cat. No.	Included Storage	Product Weight
9702D	Wrench Rack	7.20 lb

Cat. No.	Description	Cat. No.	Description
9705	5/16" 12 Point Flex Ratcheting Combination Wrench	9711	11/16" 12 Point Flex Ratcheting Combination Wrench
9704D	11/32" 12 Point Flex Ratcheting Combination Wrench	9712	3/4" 12 Point Flex Ratcheting Combination Wrench
9706	3/8" 12 Point Flex Ratcheting Combination Wrench	9713	13/16" 12 Point Flex Ratcheting Combination Wrench
9707	7/16" 12 Point Flex Ratcheting Combination Wrench	9714D	7/8" 12 Point Flex Ratcheting Combination Wrench
9708	1/2" 12 Point Flex Ratcheting Combination Wrench	9715D	15/16" 12 Point Flex Ratcheting Combination Wrench
9709	9/16" 12 Point Flex Ratcheting Combination Wrench	9716D	1" 12 Point Flex Ratcheting Combination Wrench
9710	5/8" 12 Point Flex Ratcheting Combination Wrench		

### 10 Pc. 12 Point SAE Flex Combination Ratcheting Wrench Set

- 72 tooth ratcheting box end needs a minimal 5° to move fasteners vs. 30° for standard wrenches
- Off-corner loading design on box end provides better grip and reduces fastener rounding
- Thin head and beam provide greater access in confined work areas
- Flexible head provides access to hard-to-reach bolts and fasteners
- Size conveniently stamped on both ends of the beam for quick identification
- Manufactured from alloy steel for better strength and longer tool life
- Bright, full polish chrome finish easily wipes clean and resists corrosion
- Meets or exceeds ASME and ANSI specifications
- Included tool roll for storage and organization



Cat. No.	Included Storage	Product Weight
85893	Tool Roll	5.510 lb



Cat. No.	Description	Cat. No.	Description
9705	5/16" 12 Point Flex Ratcheting Combination Wrench	9710	5/8" 12 Point Flex Ratcheting Combination Wrench
9706	3/8" 12 Point Flex Ratcheting Combination Wrench	9711	11/16" 12 Point Flex Ratcheting Combination Wrench
9707	7/16" 12 Point Flex Ratcheting Combination Wrench	9712	3/4" 12 Point Flex Ratcheting Combination Wrench
9708	1/2" 12 Point Flex Ratcheting Combination Wrench	9713	13/16" 12 Point Flex Ratcheting Combination Wrench
9709	9/16" 12 Point Flex Ratcheting Combination Wrench	9714D	7/8" 12 Point Flex Ratcheting Combination Wrench

### 8 Pc. 12 Point SAE Flex Combination Ratcheting Wrench Set

- 72 tooth ratcheting box end needs a minimal 5° to move fasteners vs. 30° for standard wrenches
- Off-corner loading design on box end provides better grip and reduces fastener rounding
- Thin head and beam provide greater access in confined work areas
- Flexible head provides access to hard-to-reach bolts and fasteners
- Size conveniently stamped on both ends of the beam for quick identification
- Manufactured from alloy steel for better strength and longer tool life
- Bright, full polish chrome finish easily wipes clean and resists corrosion
- Meets or exceeds ASME and ANSI specifications
- Included rack for storage and organization



Cat. No.	Included Storage	Product Weight
9701	Wrench Rack	2.46 lb



Cat. No.	Description	Cat. No.	Description
9705	5/16" 12 Point Flex Ratcheting Combination Wrench	9709	9/16" 12 Point Flex Ratcheting Combination Wrench
9706	3/8" 12 Point Flex Ratcheting Combination Wrench	9710	5/8" 12 Point Flex Ratcheting Combination Wrench
9707	7/16" 12 Point Flex Ratcheting Combination Wrench	9711	11/16" 12 Point Flex Ratcheting Combination Wrench
9708	1/2" 12 Point Flex Ratcheting Combination Wrench	9712	3/4" 12 Point Flex Ratcheting Combination Wrench



### 7 Pc. 12 Point SAE Flex Combination Ratcheting Wrench Set

- 72 tooth ratcheting box end needs a minimal 5° to move fasteners vs. 30° for standard wrenches
- Off-corner loading design on box end provides better grip and reduces fastener rounding
- Thin head and beam provide greater access in confined work areas
- Flexible head provides access to hard-to-reach bolts and fasteners
- Size conveniently stamped on both ends of the beam for quick identification
- Manufactured from alloy steel for better strength and longer tool life
- Bright, full polish chrome finish easily wipes clean and resists corrosion
- Meets or exceeds ASME and ANSI specifications
- Included tray for storage and organization



Cat. No.	Included Storage	Product Weight
9700	Tray	2.86 lb

Cat. No.	Description	Cat. No.	Description
9706	3/8" 12 Point Flex Ratcheting Combination Wrench	9710	5/8" 12 Point Flex Ratcheting Combination Wrench
9707	7/16" 12 Point Flex Ratcheting Combination Wrench	9711	11/16" 12 Point Flex Ratcheting Combination Wrench
9708	1/2" 12 Point Flex Ratcheting Combination Wrench	9712	3/4" 12 Point Flex Ratcheting Combination Wrench
9709	9/16" 12 Point Flex Ratcheting Combination Wrench		

### 4 Pc. 12 Point SAE Flex Combination Ratcheting Wrench Set

- 72 tooth ratcheting box end needs a minimal 5° to move fasteners vs. 30° for standard wrenches
- Off-corner loading design on box end provides better grip and reduces fastener rounding
- Thin head and beam provide greater access in confined work areas
- Flexible head provides access to hard-to-reach bolts and fasteners
- Size conveniently stamped on both ends of the beam for quick identification
- Manufactured from alloy steel for better strength and longer tool life
- Bright, full polish chrome finish easily wipes clean and resists corrosion
- Meets or exceeds ASME and ANSI specifications
- Included rack for storage and organization



Cat. No.	Included Storage	Product Weight
9703	Wrench Rack	4.85 lb

Cat. No.	Description	Cat. No.	Description
9713	13/16" 12 Point Flex Ratcheting Combination Wrench	9715D	15/16" 12 Point Flex Ratcheting Combination Wrench
9714D	7/8" 12 Point Flex Ratcheting Combination Wrench	9716D	1" 12 Point Flex Ratcheting Combination Wrench

### 16 Pc. 12 Point Metric Flex Combination Ratcheting Wrench Set

- 72 tooth ratcheting box end needs a minimal 5° to move fasteners vs. 30° for standard wrenches
- Off-corner loading design on box end provides better grip and reduces fastener rounding
- Thin head and beam provide greater access in confined work areas
- Flexible head provides access to hard-to-reach bolts and fasteners
- Size conveniently stamped on both ends of the beam for quick identification
- Manufactured from alloy steel for better strength and longer tool life
- Bright, full polish chrome finish easily wipes clean and resists corrosion
- Meets or exceeds ASME and ANSI specifications
- Included rack for storage and organization



Cat. No.	Included Storage	Product Weight
9902D	Wrench Rack	9.00 lb

Cat. No.	Description	Cat. No.	Description
9908D	8mm 12 Point Flex Ratcheting Combination Wrench	9916D	16mm 12 Point Flex Ratcheting Combination Wrench
9909D	9mm 12 Point Flex Ratcheting Combination Wrench	9917	17mm 12 Point Flex Ratcheting Combination Wrench
9910D	10mm 12 Point Flex Ratcheting Combination Wrench	9918	18mm 12 Point Flex Ratcheting Combination Wrench
9911D	11mm 12 Point Flex Ratcheting Combination Wrench	9919D	19mm 12 Point Flex Ratcheting Combination Wrench
9912D	12mm 12 Point Flex Ratcheting Combination Wrench	9921D	21mm 12 Point Flex Ratcheting Combination Wrench
9913D	13mm 12 Point Flex Ratcheting Combination Wrench	9922D	22mm 12 Point Flex Ratcheting Combination Wrench
9914D	14mm 12 Point Flex Ratcheting Combination Wrench	9924D	24mm 12 Point Flex Ratcheting Combination Wrench
9915D	15mm 12 Point Flex Ratcheting Combination Wrench	9925D	25mm 12 Point Flex Ratcheting Combination Wrench

### 12 Pc. 12 Point Metric Flex Combination Ratcheting Wrench Set

- 72 tooth ratcheting box end needs a minimal 5° to move fasteners vs. 30° for standard wrenches
- Off-corner loading design on box end provides better grip and reduces fastener rounding
- Thin head and beam provide greater access in confined work areas
- Flexible head provides access to hard-to-reach bolts and fasteners
- Size conveniently stamped on both ends of the beam for quick identification
- Manufactured from alloy steel for better strength and longer tool life
- Bright, full polish chrome finish easily wipes clean and resists corrosion
- Meets or exceeds ASME and ANSI specifications
- Included rack for storage and organization



Cat. No.	Included Storage	Product Weight
9901D	Wrench Rack	6.80 lb

Cat. No.	Description	Cat. No.	Description
9908D	8mm 12 Point Flex Ratcheting Combination Wrench	9914D	14mm 12 Point Flex Ratcheting Combination Wrench
9909D	9mm 12 Point Flex Ratcheting Combination Wrench	9915D	15mm 12 Point Flex Ratcheting Combination Wrench
9910D	10mm 12 Point Flex Ratcheting Combination Wrench	9916D	16mm 12 Point Flex Ratcheting Combination Wrench
9911D	11mm 12 Point Flex Ratcheting Combination Wrench	9917	17mm 12 Point Flex Ratcheting Combination Wrench
9912D	12mm 12 Point Flex Ratcheting Combination Wrench	9918	18mm 12 Point Flex Ratcheting Combination Wrench
9913D	13mm 12 Point Flex Ratcheting Combination Wrench	9919D	19mm 12 Point Flex Ratcheting Combination Wrench

### 10 Pc. 12 Point Metric Flex Combination Ratcheting Wrench Set

- 72 tooth ratcheting box end needs a minimal 5° to move fasteners vs. 30° for standard wrenches
- Off-corner loading design on box end provides better grip and reduces fastener rounding
- Thin head and beam provide greater access in confined work areas
- Flexible head provides access to hard-to-reach bolts and fasteners
- Size conveniently stamped on both ends of the beam for quick identification
- Manufactured from alloy steel for better strength and longer tool life
- Bright, full polish chrome finish easily wipes clean and resists corrosion
- Meets or exceeds ASME and ANSI specifications
- Included tool roll for storage and organization



Cat. No.	Included Storage	Product Weight
85894	Tool Roll	4.410 lb

Cat. No.	Description	Cat. No.	Description
9908D	8mm 12 Point Flex Ratcheting Combination Wrench	9915D	15mm 12 Point Flex Ratcheting Combination Wrench
9910D	10mm 12 Point Flex Ratcheting Combination Wrench	9916D	16mm 12 Point Flex Ratcheting Combination Wrench
9912D	12mm 12 Point Flex Ratcheting Combination Wrench	9917	17mm 12 Point Flex Ratcheting Combination Wrench
9913D	13mm 12 Point Flex Ratcheting Combination Wrench	9918	18mm 12 Point Flex Ratcheting Combination Wrench
9914D	14mm 12 Point Flex Ratcheting Combination Wrench	9919D	19mm 12 Point Flex Ratcheting Combination Wrench

### 7 Pc. 12 Point Metric Flex Combination Ratcheting Wrench Set

- 72 tooth ratcheting box end needs a minimal 5° to move fasteners vs. 30° for standard wrenches
- Off-corner loading design on box end provides better grip and reduces fastener rounding
- Thin head and beam provide greater access in confined work areas
- Flexible head provides access to hard-to-reach bolts and fasteners
- Size conveniently stamped on both ends of the beam for quick identification
- Manufactured from alloy steel for better strength and longer tool life
- Bright, full polish chrome finish easily wipes clean and resists corrosion
- Meets or exceeds ASME and ANSI specifications
- Included tray for storage and organization



Cat. No.	Included Storage	Product Weight
9900D	Tray	2.86 lb

Cat. No.	Description	Cat. No.	Description
9910D	10mm 12 Point Flex Ratcheting Combination Wrench	9915D	15mm 12 Point Flex Ratcheting Combination Wrench
9912D	12mm 12 Point Flex Ratcheting Combination Wrench	9917	17mm 12 Point Flex Ratcheting Combination Wrench
9913D	13mm 12 Point Flex Ratcheting Combination Wrench	9919D	19mm 12 Point Flex Ratcheting Combination Wrench
9914D	14mm 12 Point Flex Ratcheting Combination Wrench		

### 4 Pc. 12 Point Metric Flex Combination Ratcheting Wrench Set

- 72 tooth ratcheting box end needs a minimal 5° to move fasteners vs. 30° for standard wrenches
- Off-corner loading design on box end provides better grip and reduces fastener rounding
- Thin head and beam provide greater access in confined work areas
- Flexible head provides access to hard-to-reach bolts and fasteners
- Size conveniently stamped on both ends of the beam for quick identification
- Manufactured from alloy steel for better strength and longer tool life
- Bright, full polish chrome finish easily wipes clean and resists corrosion
- Meets or exceeds ASME and ANSI specifications
- Included rack for storage and organization



Cat. No.	Included Storage	Product Weight
9903D	Wrench Rack	4.85 lb

Cat. No.	Description	Cat. No.	Description
9921D	21mm 12 Point Flex Ratcheting Combination Wrench	9924D	24mm 12 Point Flex Ratcheting Combination Wrench
9922D	22mm 12 Point Flex Ratcheting Combination Wrench	9925D	25mm 12 Point Flex Ratcheting Combination Wrench

### 12 Point Flex Combination Ratcheting Wrenches

- 72 tooth ratcheting box end needs a minimal 5° to move fasteners vs. 30° for standard wrenches
- Off-corner loading design on box end provides better grip and reduces fastener rounding
- Thin head and beam provide greater access in confined work areas
- Flexible head provides access to hard-to-reach bolts and fasteners
- Size conveniently stamped on both ends of the beam for quick identification
- Manufactured from alloy steel for better strength and longer tool life
- Bright, full polish chrome finish easily wipes clean and resists corrosion
- Meets or exceeds ASME and ANSI specifications



Cat. No.	SAE/Metric	Fastener Size	End A Width	End A Thickness	End B Width	End B Thickness	Overall Length	Product Weight
9705	SAE	5/16 in	0.768 in	0.197 in	0.665 in	0.272 in	5.508 in	0.12 lb
9704D	SAE	11/32 in	0.768 in	0.213 in	0.701 in	0.272 in	5.882 in	0.14 lb
9706	SAE	3/8 in	0.862 in	0.224 in	0.78 in	0.303 in	6.252 in	0.16 lb
9707	SAE	7/16 in	0.953 in	0.252 in	0.854 in	0.323 in	6.504 in	0.18 lb
9708	SAE	1/2 in	1.146 in	0.319 in	0.984 in	0.339 in	7.004 in	0.23 lb
9709	SAE	9/16 in	1.228 in	0.327 in	1.035 in	0.37 in	7.504 in	0.26 lb
9710	SAE	5/8 in	1.358 in	0.346 in	1.201 in	0.406 in	8.197 in	0.37 lb
9711	SAE	11/16 in	1.492 in	0.362 in	1.272 in	0.421 in	8.878 in	0.55 lb
9712	SAE	3/4 in	1.626 in	0.374 in	1.339 in	0.441 in	9.764 in	0.86 lb
9713	SAE	13/16 in	1.811 in	0.39 in	1.535 in	0.512 in	11.476 in	1.00 lb
9714D	SAE	7/8 in	1.811 in	0.39 in	1.535 in	0.512 in	11.476 in	1.14 lb
9715D	SAE	15/16 in	2.055 in	0.429 in	1.791 in	0.571 in	13.114 in	1.29 lb
9716D	SAE	1 in	2.055 in	0.429 in	1.791 in	0.571 in	13.114 in	1.32 lb
9908D	Metric	8 mm	0.768 in	0.197 in	0.665 in	0.272 in	5.508 in	0.12 lb
9909D	Metric	9 mm	0.768 in	0.213 in	0.701 in	0.272 in	5.882 in	0.13 lb
9910D	Metric	10 mm	0.862 in	0.224 in	0.78 in	0.303 in	6.252 in	0.14 lb
9911D	Metric	11 mm	0.953 in	0.252 in	0.854 in	0.323 in	6.504 in	0.16 lb
9912D	Metric	12 mm	1.047 in	0.291 in	0.906 in	0.339 in	6.756 in	0.19 lb
9913D	Metric	13 mm	1.146 in	0.319 in	0.984 in	0.339 in	7.004 in	0.22 lb
9914D	Metric	14 mm	1.228 in	0.327 in	1.035 in	0.37 in	7.504 in	0.27 lb
9915D	Metric	15 mm	1.327 in	0.327 in	1.13 in	0.39 in	7.854 in	0.31 lb
9916D	Metric	16 mm	1.358 in	0.346 in	1.201 in	0.406 in	8.197 in	0.36 lb
9917	Metric	17 mm	1.492 in	0.362 in	1.272 in	0.421 in	8.878 in	0.43 lb
9918	Metric	18 mm	1.583 in	0.37 in	1.307 in	0.441 in	9.315 in	0.51 lb
9919D	Metric	19 mm	1.626 in	0.374 in	1.339 in	0.441 in	9.764 in	0.57 lb
9921D	Metric	21 mm	1.811 in	0.39 in	1.535 in	0.512 in	11.476 in	0.99 lb
9922D	Metric	22 mm	1.811 in	0.39 in	1.535 in	0.512 in	11.476 in	0.98 lb
9924D	Metric	24 mm	2.055 in	0.429 in	1.791 in	0.571 in	13.114 in	1.38 lb
9925D	Metric	25 mm	2.055 in	0.429 in	1.791 in	0.571 in	14 in	1.36 lb

### 7 Pc. 12 Point SAE Stubby Flex Combination Ratcheting Wrench Set

- 72 tooth ratcheting box end needs a minimal 5° to move fasteners vs. 30° for standard wrenches
- Off-corner loading design on box end provides better grip and reduces fastener rounding
- Flexible head provides access to hard-to-reach bolts and fasteners
- Thin head and beam provide greater access in confined work areas
- Stubby beam length for when clearance is limited
- Manufactured from alloy steel for better strength and longer tool life
- Bright, full polish chrome finish easily wipes clean and resists corrosion
- Meets or exceeds ASME and ANSI specifications
- Included tray for storage and organization



Cat. No.	Included Storage	Product Weight
9570	Tray	2.20 lb

Cat. No.	Description	Cat. No.	Description
9571	3/8" 12 Point Stubby Flex Ratcheting Combination Wrench	9575	5/8" 12 Point Stubby Flex Ratcheting Combination Wrench
9572	7/16" 12 Point Stubby Flex Ratcheting Combination Wrench	9576	11/16" 12 Point Stubby Flex Ratcheting Combination Wrench
9573	1/2" 12 Point Stubby Flex Ratcheting Combination Wrench	9577	3/4" 12 Point Stubby Flex Ratcheting Combination Wrench
9574	9/16" 12 Point Stubby Flex Ratcheting Combination Wrench		

### 10 Pc. 12 Point Metric Stubby Flex Combination Ratcheting Wrench Set

- 72 tooth ratcheting box end needs a minimal 5° to move fasteners vs. 30° for standard wrenches
- Off-corner loading design on box end provides better grip and reduces fastener rounding
- Flexible head provides access to hard-to-reach bolts and fasteners
- Thin head and beam provide greater access in confined work areas
- Stubby beam length for when clearance is limited
- Manufactured from alloy steel for better strength and longer tool life
- Bright, full polish chrome finish easily wipes clean and resists corrosion
- Meets or exceeds ASME and ANSI specifications
- Included tray for storage and organization

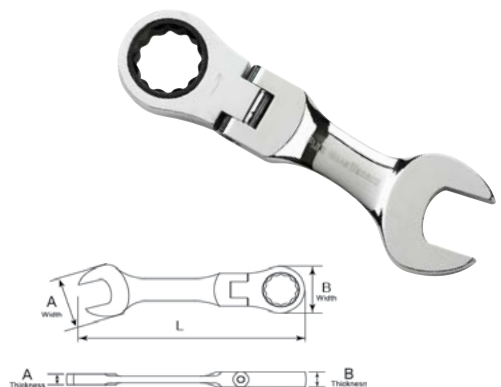


Cat. No.	Included Storage	Product Weight
9550	Tray	2.91 lb

Cat. No.	Description	Cat. No.	Description
9551	10mm 12 Point Stubby Flex Ratcheting Combination Wrench	9556	15mm 12 Point Stubby Flex Ratcheting Combination Wrench
9552	11mm 12 Point Stubby Flex Ratcheting Combination Wrench	9557D	16mm 12 Point Stubby Flex Ratcheting Combination Wrench
9553D	12mm 12 Point Stubby Flex Ratcheting Combination Wrench	9558	17mm 12 Point Stubby Flex Ratcheting Combination Wrench
9554	13mm 12 Point Stubby Flex Ratcheting Combination Wrench	9559	18mm 12 Point Stubby Flex Ratcheting Combination Wrench
9555	14mm 12 Point Stubby Flex Ratcheting Combination Wrench	9560	19mm 12 Point Stubby Flex Ratcheting Combination Wrench

### 12 Point Stubby Flex Combination Ratcheting Wrenches

- 72 tooth ratcheting box end needs a minimal 5° to move fasteners vs. 30° for standard wrenches
- Off-corner loading design on box end provides better grip and reduces fastener rounding
- Flexible head provides access to hard-to-reach bolts and fasteners
- Thin head and beam provide greater access in confined work areas
- Stubby beam length for when clearance is limited
- Manufactured from alloy steel for better strength and longer tool life
- Bright, full polish chrome finish easily wipes clean and resists corrosion
- Meets or exceeds ASME and ANSI specifications



Cat. No.	SAE/Metric	Fastener Size	End A Width	End A Thickness	End B Width	End B Thickness	Overall Length	Product Weight
9571	SAE	3/8 in	0.862 in	0.224 in	0.78 in	0.303 in	3.701 in	0.10 lb
9572	SAE	7/16 in	0.953 in	0.252 in	0.854 in	0.323 in	4.016 in	0.20 lb
9573	SAE	1/2 in	1.146 in	0.319 in	0.984 in	0.339 in	4.213 in	0.20 lb
9574	SAE	9/16 in	1.228 in	0.327 in	1.035 in	0.37 in	4.488 in	0.20 lb
9575	SAE	5/8 in	1.358 in	0.346 in	1.201 in	0.406 in	4.803 in	0.30 lb
9576	SAE	11/16 in	1.492 in	0.362 in	1.272 in	0.421 in	4.961 in	0.40 lb
9577	SAE	3/4 in	1.626 in	0.374 in	1.339 in	0.441 in	5.433 in	0.40 lb
9551	Metric	10 mm	0.862 in	0.224 in	0.78 in	0.303 in	3.701 in	0.11 lb
9552	Metric	11 mm	0.953 in	0.252 in	0.854 in	0.323 in	4.016 in	0.12 lb
9553D	Metric	12 mm	1.047 in	0.291 in	0.906 in	0.339 in	4.134 in	0.15 lb
9554	Metric	13 mm	1.146 in	0.319 in	0.984 in	0.339 in	4.213 in	0.17 lb
9555	Metric	14 mm	1.228 in	0.327 in	1.035 in	0.37 in	4.488 in	0.21 lb
9556	Metric	15 mm	1.327 in	0.327 in	1.13 in	0.39 in	4.646 in	0.24 lb
9557D	Metric	16 mm	1.358 in	0.346 in	1.201 in	0.406 in	4.803 in	0.27 lb
9558	Metric	17 mm	1.492 in	0.362 in	1.272 in	0.421 in	4.961 in	0.32 lb
9559	Metric	18 mm	1.583 in	0.37 in	1.307 in	0.441 in	5.118 in	0.37 lb
9560	Metric	19 mm	1.626 in	0.374 in	1.339 in	0.441 in	5.433 in	0.41 lb

### 9 Pc. 12 Point SAE XL X-Beam™ Flex Combination Ratcheting Wrench Set

- 72 tooth ratcheting box end needs a minimal 5° to move fasteners vs. 30° for standard wrenches
- X-Beam™ design lets you apply force to the flat side of the wrench, reducing hand fatigue
- Longer beam provides greater access to confined work areas vs. standard length wrenches
- Off-corner loading design on box end provides better grip and reduces fastener rounding
- One piece forged beam design with no weak spots for twisting
- Flexible head provides access to hard-to-reach bolts and fasteners
- Manufactured from alloy steel for better strength and longer tool life
- Bright, full polish chrome finish easily wipes clean and resists corrosion
- Included tray for storage and organization



Cat. No.	Included Storage	Product Weight
85298	Tray	3.93 lb



Cat. No.	Description	Cat. No.	Description
85270	5/16" 12 Point XL X-Beam™ Flex Head Ratcheting Combination Wrench	85278	9/16" 12 Point XL X-Beam™ Flex Head Ratcheting Combination Wrench
85271	11/32" 12 Point XL X-Beam™ Flex Head Ratcheting Combination Wrench	85280	5/8" 12 Point XL X-Beam™ Flex Head Ratcheting Combination Wrench
85272	3/8" 12 Point XL X-Beam™ Flex Head Ratcheting Combination Wrench	85282	11/16" 12 Point XL X-Beam™ Flex Head Ratcheting Combination Wrench
85274	7/16" 12 Point XL X-Beam™ Flex Head Ratcheting Combination Wrench	85284	3/4" 12 Point XL X-Beam™ Flex Head Ratcheting Combination Wrench
85276	1/2" 12 Point XL X-Beam™ Flex Head Ratcheting Combination Wrench		



### 12 Pc. 12 Point Metric XL X-Beam™ Flex Combination Ratcheting Wrench Set

- 72 tooth ratcheting box end needs a minimal 5° to move fasteners vs. 30° for standard wrenches
- X-Beam™ design lets you apply force to the flat side of the wrench, reducing hand fatigue
- Longer beam provides greater access to confined work areas vs. standard length wrenches
- Off-corner loading design on box end provides better grip and reduces fastener rounding
- One piece forged beam design with no weak spots for twisting
- Flexible head provides access to hard-to-reach bolts and fasteners
- Manufactured from alloy steel for better strength and longer tool life
- Bright, full polish chrome finish easily wipes clean and resists corrosion
- Included tray for storage and organization



Cat. No.	Included Storage	Product Weight
85288	Tray	5.36 lb



Cat. No.	Description	Cat. No.	Description
85258	8mm 12 Point XL X-Beam™ Flex Head Ratcheting Combination Wrench	85264	14mm 12 Point XL X-Beam™ Flex Head Ratcheting Combination Wrench
85259	9mm 12 Point XL X-Beam™ Flex Head Ratcheting Combination Wrench	85265	15mm 12 Point XL X-Beam™ Flex Head Ratcheting Combination Wrench
85260	10mm 12 Point XL X-Beam™ Flex Head Ratcheting Combination Wrench	85266	16mm 12 Point XL X-Beam™ Flex Head Ratcheting Combination Wrench
85261	11mm 12 Point XL X-Beam™ Flex Head Ratcheting Combination Wrench	85267	17mm 12 Point XL X-Beam™ Flex Head Ratcheting Combination Wrench
85262	12mm 12 Point XL X-Beam™ Flex Head Ratcheting Combination Wrench	85268	18mm 12 Point XL X-Beam™ Flex Head Ratcheting Combination Wrench
85263	13mm 12 Point XL X-Beam™ Flex Head Ratcheting Combination Wrench	85269	19mm 12 Point XL X-Beam™ Flex Head Ratcheting Combination Wrench

### 12 Point XL X-Beam™ Flex Combination Ratcheting Wrenches

- 72 tooth ratcheting box end needs a minimal 5° to move fasteners vs. 30° for standard wrenches
- X-Beam™ design lets you apply force to the flat side of the wrench, reducing hand fatigue
- Longer beam provides greater access to confined work areas vs. standard length wrenches
- Off-corner loading design on box end provides better grip and reduces fastener rounding
- One piece forged beam design with no weak spots for twisting
- Flexible head provides access to hard-to-reach bolts and fasteners
- Manufactured from alloy steel for better strength and longer tool life
- Bright, full polish chrome finish easily wipes clean and resists corrosion



Cat. No.	SAE/Metric	Fastener Size	End A Width	End A Thickness	End B Width	End B Thickness	Overall Length	Product Weight
85270	SAE	5/16 in	0.77 in	0.2 in	0.67 in	0.27 in	5.91 in	0.11 lb
85271	SAE	11/32 in	0.77 in	0.21 in	0.7 in	0.27 in	6.5 in	0.13 lb
85272	SAE	3/8 in	0.86 in	0.22 in	0.78 in	0.3 in	7.09 in	0.18 lb
85274	SAE	7/16 in	0.95 in	0.25 in	0.85 in	0.32 in	7.68 in	0.22 lb
85276	SAE	1/2 in	1.15 in	0.32 in	0.98 in	0.34 in	8.66 in	0.28 lb
85278	SAE	9/16 in	1.23 in	0.33 in	1.04 in	0.37 in	9.25 in	0.36 lb
85280	SAE	5/8 in	1.36 in	0.35 in	1.2 in	0.41 in	10.24 in	0.48 lb
85282	SAE	11/16 in	1.49 in	0.36 in	1.27 in	0.42 in	10.83 in	0.57 lb
85284	SAE	3/4 in	1.63 in	0.37 in	1.34 in	0.44 in	12.01 in	0.75 lb
85258	Metric	8 mm	0.77 in	0.2 in	0.67 in	0.27 in	5.91 in	0.11 lb
85259	Metric	9 mm	0.77 in	0.21 in	0.7 in	0.27 in	6.5 in	0.14 lb
85260	Metric	10 mm	0.86 in	0.22 in	0.78 in	0.3 in	7.09 in	0.17 lb
85261	Metric	11 mm	0.95 in	0.25 in	0.85 in	0.32 in	7.68 in	0.21 lb
85262	Metric	12 mm	1.05 in	0.29 in	0.91 in	0.34 in	8.15 in	0.22 lb
85263	Metric	13 mm	1.15 in	0.32 in	0.98 in	0.34 in	8.66 in	0.28 lb
85264	Metric	14 mm	1.23 in	0.33 in	1.04 in	0.37 in	9.25 in	0.36 lb
85265	Metric	15 mm	1.33 in	0.33 in	1.13 in	0.39 in	9.84 in	0.39 lb
85266	Metric	16 mm	1.36 in	0.35 in	1.2 in	0.41 in	10.24 in	0.47 lb
85267	Metric	17 mm	1.49 in	0.36 in	1.27 in	0.42 in	10.83 in	0.57 lb
85268	Metric	18 mm	1.58 in	0.37 in	1.31 in	0.44 in	11.42 in	0.62 lb
85269	Metric	19 mm	1.63 in	0.37 in	1.34 in	0.44 in	12.01 in	0.74 lb

### 8 Pc. 12 Point SAE XL Locking Flex Combination Ratcheting Wrench Set with Roll

- 72 tooth ratcheting box end needs a minimal 5° to move fasteners vs. 30° for standard wrenches
- Off-corner loading design on box end provides better grip and reduces fastener rounding
- Longer beam provides greater access to confined work areas vs. standard length wrenches
- Locking flexible head provides access to hard-to-reach bolts and fasteners
- Manufactured from alloy steel for better strength and longer tool life
- Bright, full polish chrome finish easily wipes clean and resists corrosion
- Meets or exceeds ASME and ANSI specifications
- Included tool roll for storage and organization



Cat. No.	Included Storage	Product Weight
85798R	Tool Roll	2.80 lb



Cat. No.	Description	Cat. No.	Description
85710	5/16" 12 Point XL Locking Flex Ratcheting Combination Wrench	85718	9/16" 12 Point XL Locking Flex Ratcheting Combination Wrench
85712	3/8" 12 Point XL Locking Flex Ratcheting Combination Wrench	85720	5/8" 12 Point XL Locking Flex Ratcheting Combination Wrench
85714D	7/16" 12 Point XL Locking Flex Ratcheting Combination Wrench	85722	11/16" 12 Point XL Locking Flex Ratcheting Combination Wrench
85716	1/2" 12 Point XL Locking Flex Ratcheting Combination Wrench	85724D	3/4" 12 Point XL Locking Flex Ratcheting Combination Wrench

### 8 Pc. 12 Point SAE XL Locking Flex Combination Ratcheting Wrench Set

- 72 tooth ratcheting box end needs a minimal 5° to move fasteners vs. 30° for standard wrenches
- Off-corner loading design on box end provides better grip and reduces fastener rounding
- Longer beam provides greater access to confined work areas vs. standard length wrenches
- Locking flexible head provides access to hard-to-reach bolts and fasteners
- Manufactured from alloy steel for better strength and longer tool life
- Bright, full polish chrome finish easily wipes clean and resists corrosion
- Meets or exceeds ASME and ANSI specifications
- Included rack for storage and organization



Cat. No.	Included Storage	Product Weight
85798	Wrench Rack	2.69 lb



Cat. No.	Description	Cat. No.	Description
85710	5/16" 12 Point XL Locking Flex Ratcheting Combination Wrench	85718	9/16" 12 Point XL Locking Flex Ratcheting Combination Wrench
85712	3/8" 12 Point XL Locking Flex Ratcheting Combination Wrench	85720	5/8" 12 Point XL Locking Flex Ratcheting Combination Wrench
85714D	7/16" 12 Point XL Locking Flex Ratcheting Combination Wrench	85722	11/16" 12 Point XL Locking Flex Ratcheting Combination Wrench
85716	1/2" 12 Point XL Locking Flex Ratcheting Combination Wrench	85724D	3/4" 12 Point XL Locking Flex Ratcheting Combination Wrench

### 12 Pc. 12 Point Metric XL Locking Flex Combination Ratcheting Wrench Set with Roll

- 72 tooth ratcheting box end needs a minimal 5° to move fasteners vs. 30° for standard wrenches
- Off-corner loading design on box end provides better grip and reduces fastener rounding
- Longer beam provides greater access to confined work areas vs. standard length wrenches
- Locking flexible head provides access to hard-to-reach bolts and fasteners
- Manufactured from alloy steel for better strength and longer tool life
- Bright, full polish chrome finish easily wipes clean and resists corrosion
- Meets or exceeds ASME and ANSI specifications
- Included tool roll for storage and organization



Cat. No.	Included Storage	Product Weight
85698R	Tool Roll	4.40 lb



Cat. No.	Description	Cat. No.	Description
85608	8mm 12 Point XL Locking Flex Ratcheting Combination Wrench	85614	14mm 12 Point XL Locking Flex Ratcheting Combination Wrench
85609	9mm 12 Point XL Locking Flex Ratcheting Combination Wrench	85615	15mm 12 Point XL Locking Flex Ratcheting Combination Wrench
85610	10mm 12 Point XL Locking Flex Ratcheting Combination Wrench	85616	16mm 12 Point XL Locking Flex Ratcheting Combination Wrench
85611	11mm 12 Point XL Locking Flex Ratcheting Combination Wrench	85617	17mm 12 Point XL Locking Flex Ratcheting Combination Wrench
85612	12mm 12 Point XL Locking Flex Ratcheting Combination Wrench	85618	18mm 12 Point XL Locking Flex Ratcheting Combination Wrench
85613	13mm 12 Point XL Locking Flex Ratcheting Combination Wrench	85619	19mm 12 Point XL Locking Flex Ratcheting Combination Wrench

### 12 Pc. 12 Point Metric XL Locking Flex Combination Ratcheting Wrench Set

- 72 tooth ratcheting box end needs a minimal 5° to move fasteners vs. 30° for standard wrenches
- Off-corner loading design on box end provides better grip and reduces fastener rounding
- Longer beam provides greater access to confined work areas vs. standard length wrenches
- Locking flexible head provides access to hard-to-reach bolts and fasteners
- Manufactured from alloy steel for better strength and longer tool life
- Bright, full polish chrome finish easily wipes clean and resists corrosion
- Meets or exceeds ASME and ANSI specifications
- Included rack for storage and organization



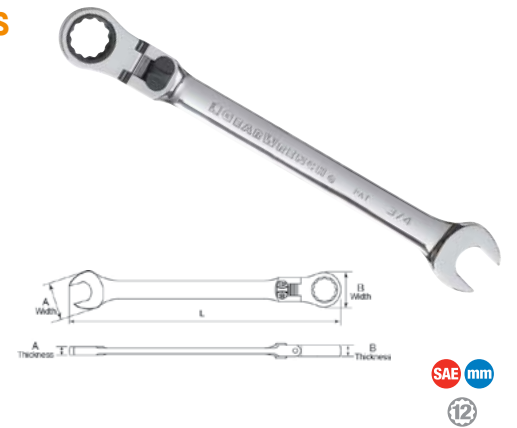
Cat. No.	Included Storage	Product Weight
85698	Wrench Rack	4.35 lb

Cat. No.	Description	Cat. No.	Description
85608	8mm 12 Point XL Locking Flex Ratcheting Combination Wrench	85614	14mm 12 Point XL Locking Flex Ratcheting Combination Wrench
85609	9mm 12 Point XL Locking Flex Ratcheting Combination Wrench	85615	15mm 12 Point XL Locking Flex Ratcheting Combination Wrench
85610	10mm 12 Point XL Locking Flex Ratcheting Combination Wrench	85616	16mm 12 Point XL Locking Flex Ratcheting Combination Wrench
85611	11mm 12 Point XL Locking Flex Ratcheting Combination Wrench	85617	17mm 12 Point XL Locking Flex Ratcheting Combination Wrench
85612	12mm 12 Point XL Locking Flex Ratcheting Combination Wrench	85618	18mm 12 Point XL Locking Flex Ratcheting Combination Wrench
85613	13mm 12 Point XL Locking Flex Ratcheting Combination Wrench	85619	19mm 12 Point XL Locking Flex Ratcheting Combination Wrench



### 12 Point XL Locking Flex Ratcheting Wrenches

- 72 tooth ratcheting box end needs a minimal 5° to move fasteners vs. 30° for standard wrenches
- Off-corner loading design on box end provides better grip and reduces fastener rounding
- Longer beam provides greater access to confined work areas vs. standard length wrenches
- Locking flexible head provides access to hard-to-reach bolts and fasteners
- Manufactured from alloy steel for better strength and longer tool life
- Bright, full polish chrome finish easily wipes clean and resists corrosion
- Meets or exceeds ASME and ANSI specifications



Cat. No.	SAE/Metric	Fastener Size	End A Width	End A Thickness	End B Width	End B Thickness	Overall Length	Product Weight
85710	SAE	5/16 in	0.77 in	0.98 in	0.67 in	0.27 in	5.75 in	0.13 lb
85712	SAE	3/8 in	0.86 in	1.04 in	0.78 in	0.3 in	6.73 in	0.17 lb
85714D	SAE	7/16 in	0.95 in	0.25 in	0.85 in	0.32 in	7.2 in	0.26 lb
85716	SAE	1/2 in	1.15 in	0.32 in	0.98 in	0.34 in	8.15 in	0.29 lb
85718	SAE	9/16 in	1.23 in	0.67 in	1.04 in	0.37 in	8.62 in	0.36 lb
85720	SAE	5/8 in	1.36 in	0.7 in	1.2 in	0.41 in	9.53 in	0.44 lb
85722	SAE	11/16 in	1.49 in	0.78 in	1.27 in	0.42 in	10 in	0.56 lb
85724D	SAE	3/4 in	1.63 in	0.85 in	1.34 in	0.44 in	11.02 in	0.56 lb
85608	Metric	8 mm	0.77 in	0.2 in	0.67 in	0.27 in	5.75 in	0.12 lb
85609	Metric	9 mm	0.77 in	0.21 in	0.7 in	0.27 in	6.26 in	0.14 lb
85610	Metric	10 mm	0.86 in	0.22 in	0.78 in	0.3 in	6.73 in	0.18 lb
85611	Metric	11 mm	0.95 in	0.25 in	0.85 in	0.32 in	7.2 in	0.21 lb
85612	Metric	12 mm	1.05 in	0.29 in	0.91 in	0.34 in	7.68 in	0.26 lb
85613	Metric	13 mm	1.15 in	0.32 in	0.98 in	0.34 in	8.15 in	0.29 lb
85614	Metric	14 mm	1.23 in	0.33 in	1.04 in	0.37 in	8.62 in	0.36 lb
85615	Metric	15 mm	1.33 in	0.33 in	1.13 in	0.39 in	9.09 in	0.41 lb
85616	Metric	16 mm	1.36 in	0.35 in	1.2 in	0.41 in	9.53 in	0.49 lb
85617	Metric	17 mm	1.49 in	0.36 in	1.27 in	0.42 in	10 in	0.56 lb
85618	Metric	18 mm	1.58 in	0.37 in	1.31 in	0.44 in	10.51 in	0.62 lb
85619	Metric	19 mm	1.63 in	0.37 in	1.34 in	0.44 in	11.02 in	0.72 lb

### 8 Pc. 12 Point SAE Open End Combination Ratcheting Wrench Set

- Open end quickly ratchet nuts and bolts without removing the wrench from the fastener
- 72 tooth ratcheting box end needs a minimal 5° to move fasteners vs. 30° for standard wrenches
- Off-corner loading design on box end provides better grip and reduces fastener rounding
- Manufactured from alloy steel for better strength and longer tool life
- Bright, full polish chrome finish easily wipes clean and resists corrosion
- Included rack for storage and organization



Cat. No.	Included Storage	Product Weight
85599	Wrench Rack	2.50 lb

Cat. No.	Description	Cat. No.	Description
85570	5/16" 12 Point Open End Ratcheting Combination Wrench	85578	9/16" 12 Point Open End Ratcheting Combination Wrench
85572	3/8" 12 Point Open End Ratcheting Combination Wrench	85580	5/8" 12 Point Open End Ratcheting Combination Wrench
85574	7/16" 12 Point Open End Ratcheting Combination Wrench	85582	11/16" 12 Point Open End Ratcheting Combination Wrench
85576	1/2" 12 Point Open End Ratcheting Combination Wrench	85584	3/4" 12 Point Open End Ratcheting Combination Wrench

### 12 Pc. 12 Point Metric Open End Combination Ratcheting Wrench Set

- Open end quickly ratchet nuts and bolts without removing the wrench from the fastener
- 72 tooth ratcheting box end needs a minimal 5° to move fasteners vs. 30° for standard wrenches
- Off-corner loading design on box end provides better grip and reduces fastener rounding
- Manufactured from alloy steel for better strength and longer tool life
- Bright, full polish chrome finish easily wipes clean and resists corrosion
- Included rack for storage and organization

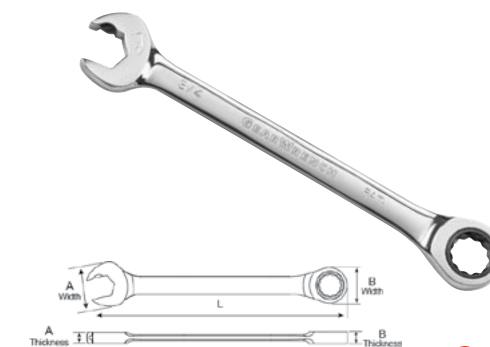


Cat. No.	Included Storage	Product Weight
85597	Wrench Rack	3.15 lb

Cat. No.	Description	Cat. No.	Description
85508	8mm 12 Point Open End Ratcheting Combination Wrench	85514D	14mm 12 Point Open End Ratcheting Combination Wrench
85509	9mm 12 Point Open End Ratcheting Combination Wrench	85515	15mm 12 Point Open End Ratcheting Combination Wrench
85510	10mm 12 Point Open End Ratcheting Combination Wrench	85516	16mm 12 Point Open End Ratcheting Combination Wrench
85511	11mm 12 Point Open End Ratcheting Combination Wrench	85517	17mm 12 Point Open End Ratcheting Combination Wrench
85512D	12mm 12 Point Open End Ratcheting Combination Wrench	85518	18mm 12 Point Open End Ratcheting Combination Wrench
85513	13mm 12 Point Open End Ratcheting Combination Wrench	85519	19mm 12 Point Open End Ratcheting Combination Wrench

### 12 Point Open End Combination Ratcheting Wrenches

- Open end quickly ratchet nuts and bolts without removing the wrench from the fastener
- 72 tooth ratcheting box end needs a minimal 5° to move fasteners vs. 30° for standard wrenches
- Off-corner loading design on box end provides better grip and reduces fastener rounding
- Manufactured from alloy steel for better strength and longer tool life
- Bright, full polish chrome finish easily wipes clean and resists corrosion



Cat. No.	SAE/Metric	Fastener Size	End A Width	End A Thickness	End B Width	End B Thickness	Overall Length	Product Weight
85570	SAE	5/16 in	0.658 in	0.197 in	0.625 in	0.256 in	5.508 in	0.12 lb
85572	SAE	3/8 in	0.822 in	0.22 in	0.75 in	0.287 in	6.256 in	0.17 lb
85574	SAE	7/16 in	0.905 in	0.24 in	0.811 in	0.303 in	6.508 in	0.19 lb
85576	SAE	1/2 in	1.069 in	0.303 in	0.93 in	0.339 in	7.008 in	0.25 lb
85578	SAE	9/16 in	1.152 in	0.307 in	1.02 in	0.354 in	7.504 in	0.31 lb
85580	SAE	5/8 in	1.316 in	0.346 in	1.13 in	0.39 in	8.201 in	0.43 lb
85582	SAE	11/16 in	1.399 in	0.37 in	1.201 in	0.406 in	8.878 in	0.49 lb
85584	SAE	3/4 in	1.563 in	0.386 in	1.278 in	0.441 in	9.764 in	0.58 lb
85508	Metric	8 mm	0.658 in	0.197 in	0.625 in	0.256 in	5.508 in	0.12 lb
85509	Metric	9 mm	0.741 in	0.209 in	0.689 in	0.272 in	5.882 in	0.13 lb
85510	Metric	10 mm	0.822 in	0.22 in	0.75 in	0.287 in	6.256 in	0.17 lb
85511	Metric	11 mm	0.905 in	0.24 in	0.811 in	0.303 in	6.508 in	0.21 lb
85512D	Metric	12 mm	0.988 in	0.26 in	0.855 in	0.323 in	6.756 in	0.24 lb
85513	Metric	13 mm	1.069 in	0.303 in	0.93 in	0.339 in	7.008 in	0.26 lb
85514D	Metric	14 mm	1.152 in	0.307 in	1.02 in	0.354 in	7.504 in	0.31 lb
85515	Metric	15 mm	1.233 in	0.315 in	1.07 in	0.37 in	7.854 in	0.35 lb
85516	Metric	16 mm	1.316 in	0.346 in	1.13 in	0.39 in	8.201 in	0.40 lb
85517	Metric	17 mm	1.399 in	0.37 in	1.201 in	0.406 in	8.878 in	0.49 lb
85518	Metric	18 mm	1.48 in	0.37 in	1.239 in	0.421 in	9.315 in	0.53 lb
85519	Metric	19 mm	1.563 in	0.386 in	1.278 in	0.441 in	9.764 in	0.50 lb



### 8 Pc. 12 Point SAE Indexing Combination Ratcheting Wrench Set

- 13 locking positions across 180° of movement allow you to reach confined work areas
- 72 tooth ratcheting box end needs a minimal 5° to move fasteners vs. 30° for standard wrenches
- Off-corner loading design on box end provides better grip and reduces fastener rounding
- Manufactured from alloy steel for better strength and longer tool life
- Bright, full polish chrome finish easily wipes clean and resists corrosion
- Included rack for storage and organization



Cat. No.	Included Storage	Product Weight
85498	Wrench Rack	2.98 lb

Cat. No.	Description	Cat. No.	Description
85450	5/16" 12 Point Indexing Ratcheting Combination Wrench	85458	9/16" 12 Point Indexing Ratcheting Combination Wrench
85452	3/8" 12 Point Indexing Ratcheting Combination Wrench	85460	5/8" 12 Point Indexing Ratcheting Combination Wrench
85454	7/16" 12 Point Indexing Ratcheting Combination Wrench	85462	11/16" 12 Point Indexing Ratcheting Combination Wrench
85456	1/2" 12 Point Indexing Ratcheting Combination Wrench	85464	3/4" 12 Point Indexing Ratcheting Combination Wrench

### 12 Pc. 12 Point Metric Indexing Combination Ratcheting Wrench Set

- 13 locking positions across 180° of movement allow you to reach confined work areas
- 72 tooth ratcheting box end needs a minimal 5° to move fasteners vs. 30° for standard wrenches
- Off-corner loading design on box end provides better grip and reduces fastener rounding
- Manufactured from alloy steel for better strength and longer tool life
- Bright, full polish chrome finish easily wipes clean and resists corrosion
- Included rack for storage and organization

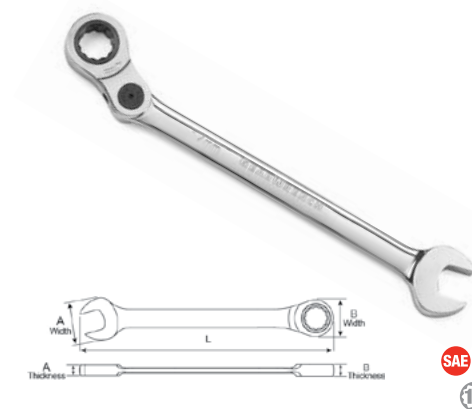


Cat. No.	Included Storage	Product Weight
85488	Wrench Rack	4.39 lb

Cat. No.	Description	Cat. No.	Description
85418	8mm 12 Point Indexing Ratcheting Combination Wrench	85444	14mm 12 Point Indexing Ratcheting Combination Wrench
85439D	9mm 12 Point Indexing Ratcheting Combination Wrench	85445	15mm 12 Point Indexing Ratcheting Combination Wrench
85440D	10mm 12 Point Indexing Ratcheting Combination Wrench	85446	16mm 12 Point Indexing Ratcheting Combination Wrench
85441D	11mm 12 Point Indexing Ratcheting Combination Wrench	85447	17mm 12 Point Indexing Ratcheting Combination Wrench
85442	12mm 12 Point Indexing Ratcheting Combination Wrench	85448	18mm 12 Point Indexing Ratcheting Combination Wrench
85443	13mm 12 Point Indexing Ratcheting Combination Wrench	85449	19mm 12 Point Indexing Ratcheting Combination Wrench

### 12 Point Indexing Combination Ratcheting Wrenches

- 13 locking positions across 180° of movement allow you to reach confined work areas
- 72 tooth ratcheting box end needs a minimal 5° to move fasteners vs. 30° for standard wrenches
- Off-corner loading design on box end provides better grip and reduces fastener rounding
- Manufactured from alloy steel for better strength and longer tool life
- Bright, full polish chrome finish easily wipes clean and resists corrosion



Cat. No.	SAE/Metric	Fastener Size	End A Width	End A Thickness	End B Width	End B Thickness	Overall Length	Product Weight
85450	SAE	5/16 in	0.709 in	0.197 in	0.535 in	0.127 in	4.949 in	0.13 lb
85452	SAE	3/8 in	0.906 in	0.22 in	0.574 in	0.127 in	5.909 in	0.20 lb
85454	SAE	7/16 in	0.984 in	0.24 in	0.618 in	0.127 in	6.417 in	0.22 lb
85456	SAE	1/2 in	1.102 in	0.303 in	0.685 in	0.171 in	7.217 in	0.32 lb
85458	SAE	9/16 in	1.26 in	0.307 in	0.728 in	0.171 in	7.665 in	0.38 lb
85460	SAE	5/8 in	1.378 in	0.346 in	0.813 in	0.197 in	8.508 in	0.52 lb
85462	SAE	11/16 in	1.496 in	0.37 in	0.844 in	0.197 in	9.016 in	0.62 lb
85464	SAE	3/4 in	1.654 in	0.386 in	0.883 in	0.197 in	10.122 in	0.72 lb
85418	Metric	8 mm	0.709 in	0.197 in	0.535 in	0.127 in	4.949 in	0.13 lb
85439D	Metric	9 mm	0.787 in	0.209 in	0.543 in	0.127 in	5.394 in	0.15 lb
85440D	Metric	10 mm	0.906 in	0.22 in	0.574 in	0.127 in	5.909 in	0.19 lb
85441D	Metric	11 mm	0.984 in	0.24 in	0.618 in	0.127 in	6.417 in	0.23 lb
85442	Metric	12 mm	1.063 in	0.26 in	0.66 in	0.171 in	6.783 in	0.27 lb
85443	Metric	13 mm	1.102 in	0.303 in	0.685 in	0.171 in	7.217 in	0.31 lb
85444	Metric	14 mm	1.26 in	0.307 in	0.728 in	0.171 in	7.665 in	0.38 lb
85445	Metric	15 mm	1.299 in	0.315 in	0.766 in	0.171 in	8.185 in	0.43 lb
85446	Metric	16 mm	1.378 in	0.346 in	0.813 in	0.197 in	8.508 in	0.52 lb
85447	Metric	17 mm	1.496 in	0.37 in	0.844 in	0.197 in	9.016 in	0.60 lb
85448	Metric	18 mm	1.535 in	0.37 in	0.851 in	0.197 in	9.555 in	0.65 lb
85449	Metric	19 mm	1.654 in	0.386 in	0.883 in	0.197 in	10.122 in	0.70 lb

### 13 Pc. 12 Point SAE XL GearBox™ Double Box Ratcheting Wrench Set

- 72 tooth ratcheting box end needs a minimal 5° to move fasteners vs. 30° for standard wrenches
- Off-corner loading design on box end provides better grip and reduces fastener rounding
- Size conveniently stamped on both ends of the beam for quick identification
- 0° offset on non-ratcheting end for breaking loose stubborn fasteners
- Manufactured from alloy steel for better strength and longer tool life
- Bright, full polish chrome finish easily wipes clean and resists corrosion
- Included tray for storage and organization



Cat. No.	Included Storage	Product Weight
85999	Tray	10.56 lb



Cat. No.	Description	Cat. No.	Description
85950	5/16" 12 Point XL GearBox™ Double Box Ratcheting Wrench	85962	11/16" 12 Point XL GearBox™ Double Box Ratcheting Wrench
85951	11/32" 12 Point XL GearBox™ Double Box Ratcheting Wrench	85964	3/4" 12 Point XL GearBox™ Double Box Ratcheting Wrench
85952	3/8" 12 Point XL GearBox™ Double Box Ratcheting Wrench	85966	13/16" 12 Point XL GearBox™ Double Box Ratcheting Wrench
85954	7/16" 12 Point XL GearBox™ Double Box Ratcheting Wrench	85968	7/8" 12 Point XL GearBox™ Double Box Ratcheting Wrench
85956	1/2" 12 Point XL GearBox™ Double Box Ratcheting Wrench	85970	15/16" 12 Point XL GearBox™ Double Box Ratcheting Wrench
85958	9/16" 12 Point XL GearBox™ Double Box Ratcheting Wrench	85972	1" 12 Point XL GearBox™ Double Box Ratcheting Wrench
85960	5/8" 12 Point XL GearBox™ Double Box Ratcheting Wrench		

### 9 Pc. 12 Point SAE XL GearBox™ Double Box Ratcheting Wrench Set

- 72 tooth ratcheting box end needs a minimal 5° to move fasteners vs. 30° for standard wrenches
- Off-corner loading design on box end provides better grip and reduces fastener rounding
- Size conveniently stamped on both ends of the beam for quick identification
- 0° offset on non-ratcheting end for breaking loose stubborn fasteners
- Manufactured from alloy steel for better strength and longer tool life
- Bright, full polish chrome finish easily wipes clean and resists corrosion
- Included tray for storage and organization



Cat. No.	Included Storage	Product Weight
85998	Tray	4.75 lb



Cat. No.	Description	Cat. No.	Description
85950	5/16" 12 Point XL GearBox™ Double Box Ratcheting Wrench	85958	9/16" 12 Point XL GearBox™ Double Box Ratcheting Wrench
85951	11/32" 12 Point XL GearBox™ Double Box Ratcheting Wrench	85960	5/8" 12 Point XL GearBox™ Double Box Ratcheting Wrench
85952	3/8" 12 Point XL GearBox™ Double Box Ratcheting Wrench	85962	11/16" 12 Point XL GearBox™ Double Box Ratcheting Wrench
85954	7/16" 12 Point XL GearBox™ Double Box Ratcheting Wrench	85964	3/4" 12 Point XL GearBox™ Double Box Ratcheting Wrench
85956	1/2" 12 Point XL GearBox™ Double Box Ratcheting Wrench		

### 4 Pc. 12 Point SAE XL GearBox™ Double Box Ratcheting Wrench Set

- 72 tooth ratcheting box end needs a minimal 5° to move fasteners vs. 30° for standard wrenches
- Off-corner loading design on box end provides better grip and reduces fastener rounding
- Size conveniently stamped on both ends of the beam for quick identification
- 0° offset on non-ratcheting end for breaking loose stubborn fasteners
- Manufactured from alloy steel for better strength and longer tool life
- Bright, full polish chrome finish easily wipes clean and resists corrosion
- Included tray for storage and organization



Cat. No.	Included Storage	Product Weight
85996	Tray	3.38 lb



Cat. No.	Description	Cat. No.	Description
85966	13/16" 12 Point XL GearBox™ Double Box Ratcheting Wrench	85970	15/16" 12 Point XL GearBox™ Double Box Ratcheting Wrench
85968	7/8" 12 Point XL GearBox™ Double Box Ratcheting Wrench	85972	1" 12 Point XL GearBox™ Double Box Ratcheting Wrench

### 17 Pc. 12 Point Metric XL GearBox™ Double Box Ratcheting Wrench Set

- 72 tooth ratcheting box end needs a minimal 5° to move fasteners vs. 30° for standard wrenches
- Off-corner loading design on box end provides better grip and reduces fastener rounding
- Size conveniently stamped on both ends of the beam for quick identification
- 0° offset on non-ratcheting end for breaking loose stubborn fasteners
- Manufactured from alloy steel for better strength and longer tool life
- Bright, full polish chrome finish easily wipes clean and resists corrosion
- Included tray for storage and organization



Cat. No.	Included Storage	Product Weight
85989	Tray	13.10 lb



Cat. No.	Description	Cat. No.	Description
85908	8mm 12 Point XL GearBox™ Double Box Ratcheting Wrench	85917	17mm 12 Point XL GearBox™ Double Box Ratcheting Wrench
85909	9mm 12 Point XL GearBox™ Double Box Ratcheting Wrench	85918	18mm 12 Point XL GearBox™ Double Box Ratcheting Wrench
85910	10mm 12 Point XL GearBox™ Double Box Ratcheting Wrench	85919	19mm 12 Point XL GearBox™ Double Box Ratcheting Wrench
85911	11mm 12 Point XL GearBox™ Double Box Ratcheting Wrench	85920	20mm 12 Point XL GearBox™ Double Box Ratcheting Wrench
85912	12mm 12 Point XL GearBox™ Double Box Ratcheting Wrench	85921	21mm 12 Point XL GearBox™ Double Box Ratcheting Wrench
85913	13mm 12 Point XL GearBox™ Double Box Ratcheting Wrench	85922	22mm 12 Point XL GearBox™ Double Box Ratcheting Wrench
85914	14mm 12 Point XL GearBox™ Double Box Ratcheting Wrench	85924	24mm 12 Point XL GearBox™ Double Box Ratcheting Wrench
85915	15mm 12 Point XL GearBox™ Double Box Ratcheting Wrench	85925	25mm 12 Point XL GearBox™ Double Box Ratcheting Wrench
85916	16mm 12 Point XL GearBox™ Double Box Ratcheting Wrench		

### 12 Pc. 12 Point Metric XL GearBox™ Double Box Ratcheting Wrench Set

- 72 tooth ratcheting box end needs a minimal 5° to move fasteners vs. 30° for standard wrenches
- Off-corner loading design on box end provides better grip and reduces fastener rounding
- Size conveniently stamped on both ends of the beam for quick identification
- 0° offset on non-ratcheting end for breaking loose stubborn fasteners
- Manufactured from alloy steel for better strength and longer tool life
- Bright, full polish chrome finish easily wipes clean and resists corrosion
- Included tray for storage and organization



Cat. No.	Included Storage	Product Weight
85988	Tray	6.38 lb



Cat. No.	Description	Cat. No.	Description
85908	8mm 12 Point XL GearBox™ Double Box Ratcheting Wrench	85914	14mm 12 Point XL GearBox™ Double Box Ratcheting Wrench
85909	9mm 12 Point XL GearBox™ Double Box Ratcheting Wrench	85915	15mm 12 Point XL GearBox™ Double Box Ratcheting Wrench
85910	10mm 12 Point XL GearBox™ Double Box Ratcheting Wrench	85916	16mm 12 Point XL GearBox™ Double Box Ratcheting Wrench
85911	11mm 12 Point XL GearBox™ Double Box Ratcheting Wrench	85917	17mm 12 Point XL GearBox™ Double Box Ratcheting Wrench
85912	12mm 12 Point XL GearBox™ Double Box Ratcheting Wrench	85918	18mm 12 Point XL GearBox™ Double Box Ratcheting Wrench
85913	13mm 12 Point XL GearBox™ Double Box Ratcheting Wrench	85919	19mm 12 Point XL GearBox™ Double Box Ratcheting Wrench

### 5 Pc. 12 Point Metric XL GearBox™ Double Box Ratcheting Wrench Set

- 72 tooth ratcheting box end needs a minimal 5° to move fasteners vs. 30° for standard wrenches
- Off-corner loading design on box end provides better grip and reduces fastener rounding
- Size conveniently stamped on both ends of the beam for quick identification
- 0° offset on non-ratcheting end for breaking loose stubborn fasteners
- Manufactured from alloy steel for better strength and longer tool life
- Bright, full polish chrome finish easily wipes clean and resists corrosion
- Included tray for storage and organization



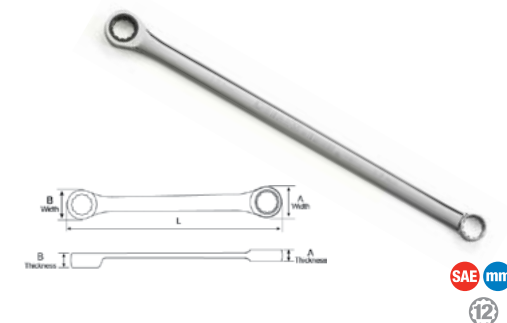
Cat. No.	Included Storage	Product Weight
85987	Tray	7.84 lb



Cat. No.	Description	Cat. No.	Description
85920	20mm 12 Point XL GearBox™ Double Box Ratcheting Wrench	85924	24mm 12 Point XL GearBox™ Double Box Ratcheting Wrench
85921	21mm 12 Point XL GearBox™ Double Box Ratcheting Wrench	85925	25mm 12 Point XL GearBox™ Double Box Ratcheting Wrench
85922	22mm 12 Point XL GearBox™ Double Box Ratcheting Wrench		

### 12 Point XL GearBox™ Double Box Ratcheting Wrenches

- 72 tooth ratcheting box end needs a minimal 5° to move fasteners vs. 30° for standard wrenches
- Off-corner loading design on box end provides better grip and reduces fastener rounding
- Size conveniently stamped on both ends of the beam for quick identification
- 0° offset on non-ratcheting end for breaking loose stubborn fasteners
- Manufactured from alloy steel for better strength and longer tool life
- Bright, full polish chrome finish easily wipes clean and resists corrosion



Cat. No.	SAE/Metric	Fastener Size	End A Width	End A Thickness	End B Width	End B Thickness	Overall Length	Product Weight
85950	SAE	5/16 in	0.67 in	0.27 in	0.46 in	0.24 in	8.71 in	0.13 lb
85951	SAE	11/32 in	0.7 in	0.27 in	0.52 in	0.26 in	8.91 in	0.13 lb
85952	SAE	3/8 in	0.78 in	0.3 in	0.57 in	0.27 in	9.5 in	0.17 lb
85954	SAE	7/16 in	0.85 in	0.32 in	0.62 in	0.31 in	9.89 in	0.20 lb
85956	SAE	1/2 in	0.98 in	0.34 in	0.74 in	0.35 in	11.31 in	0.26 lb
85958	SAE	9/16 in	1.04 in	0.37 in	0.8 in	0.39 in	12.02 in	0.38 lb
85960	SAE	5/8 in	1.2 in	0.41 in	0.9 in	0.43 in	13.71 in	0.50 lb
85962	SAE	11/16 in	1.27 in	0.42 in	0.94 in	0.43 in	14.7 in	0.67 lb
85964	SAE	3/4 in	1.34 in	0.44 in	1.04 in	0.47 in	15.6 in	0.77 lb
85966	SAE	13/16 in	1.54 in	0.51 in	1.18 in	0.57 in	16.54 in	1.42 lb
85968	SAE	7/8 in	1.54 in	0.51 in	1.22 in	0.57 in	17.01 in	2.07 lb
85970	SAE	15/16 in	1.75 in	0.57 in	1.34 in	0.59 in	18.03 in	2.71 lb
85972	SAE	1 in	1.75 in	0.57 in	1.42 in	0.59 in	18.5 in	3.36 lb
85908	Metric	8 mm	0.67 in	0.27 in	0.46 in	0.24 in	8.71 in	0.13 lb
85909	Metric	9 mm	0.7 in	0.27 in	0.52 in	0.26 in	8.91 in	0.13 lb
85910	Metric	10 mm	0.78 in	0.3 in	0.57 in	0.27 in	9.5 in	0.17 lb
85911	Metric	11 mm	0.85 in	0.32 in	0.62 in	0.31 in	9.89 in	0.20 lb
85912	Metric	12 mm	0.91 in	0.34 in	0.68 in	0.33 in	10.52 in	0.26 lb
85913	Metric	13 mm	0.98 in	0.34 in	0.74 in	0.35 in	11.31 in	0.33 lb
85914	Metric	14 mm	1.04 in	0.37 in	0.8 in	0.39 in	12.02 in	0.38 lb
85915	Metric	15 mm	1.13 in	0.39 in	0.86 in	0.43 in	12.72 in	0.47 lb
85916	Metric	16 mm	1.2 in	0.41 in	0.9 in	0.43 in	13.71 in	0.50 lb
85917	Metric	17 mm	1.27 in	0.42 in	0.94 in	0.43 in	14.7 in	0.67 lb
85918	Metric	18 mm	1.31 in	0.44 in	0.98 in	0.45 in	15.13 in	0.70 lb
85919	Metric	19 mm	1.34 in	0.44 in	1.04 in	0.47 in	15.6 in	0.77 lb
85920	Metric	20 mm	1.54 in	0.51 in	1.14 in	0.52 in	15.98 in	1.42 lb
85921	Metric	21 mm	1.54 in	0.51 in	1.18 in	0.57 in	16.54 in	2.07 lb
85922	Metric	22 mm	1.54 in	0.51 in	1.22 in	0.57 in	17.01 in	2.71 lb
85924	Metric	24 mm	1.75 in	0.57 in	1.34 in	0.59 in	18.03 in	3.36 lb
85925	Metric	25 mm	1.75 in	0.57 in	1.42 in	0.59 in	18.5 in	4.01 lb

### 10 Pc. 120XP™ Universal Spline SAE XL Flex GearBox Ratcheting Wrench Set



- 120XP™ wrenches have two double stacked 60-tooth pawls (120 positions) providing a 3° swing arc so you can turn fasteners in tighter confines
- Universal spline drive fits 12-point, 6-point, rounded 6-point, spline, Eternal Torx® and square fasteners
- XL beam design is up to 25% longer than standard wrenches for improved reach, leverage, and torque
- Dual-direction off-corner loading on open end for better grip and reduced fastener rounding
- Highly visible, recessed size markings are color coded for easy identification
- Manufactured from alloy steel for better strength and longer tool life
- Flexible head provides access to hard-to-reach bolts and fasteners
- 0° offset on non-ratcheting end for breaking loose stubborn fasteners
- Bright, full polish chrome finish easily wipes clean and resists rust and corrosion
- Included tray for storage and organization



Cat. No.	Included Storage	Product Weight
86142	Tray	7.115 lb



Cat. No.	Description	Cat. No.	Description
86128	1/4" 120XP™ Universal Spline XL GearBox™ Flex Head Ratcheting Wrench	86133	1/2" 120XP™ Universal Spline XL GearBox™ Flex Head Ratcheting Wrench
86129	5/16" 120XP™ Universal Spline XL GearBox™ Flex Head Ratcheting Wrench	86134	9/16" 120XP™ Universal Spline XL GearBox™ Flex Head Ratcheting Wrench
86130	11/32" 120XP™ Universal Spline XL GearBox™ Flex Head Ratcheting Wrench	86135	5/8" 120XP™ Universal Spline XL GearBox™ Flex Head Ratcheting Wrench
86131	3/8" 120XP™ Universal Spline XL GearBox™ Flex Head Ratcheting Wrench	86136	11/16" 120XP™ Universal Spline XL GearBox™ Flex Head Ratcheting Wrench
86132	7/16" 120XP™ Universal Spline XL GearBox™ Flex Head Ratcheting Wrench	86137	3/4" 120XP™ Universal Spline XL GearBox™ Flex Head Ratcheting Wrench

### 10 Pc. 120XP™ Universal Spline Metric XL Flex GearBox Ratcheting Wrench Set



- 120XP™ wrenches have two double stacked 60-tooth pawls (120 positions) providing a 3° swing arc so you can turn fasteners in tighter confines
- Universal spline drive fits 12-point, 6-point, rounded 6-point, spline, Eternal Torx® and square fasteners
- XL beam design is up to 25% longer than standard wrenches for improved reach, leverage, and torque
- Dual-direction off-corner loading on open end for better grip and reduced fastener rounding
- Highly visible, recessed size markings are color coded for easy identification
- Manufactured from alloy steel for better strength and longer tool life
- Flexible head provides access to hard-to-reach bolts and fasteners
- 0° offset on non-ratcheting end for breaking loose stubborn fasteners
- Bright, full polish chrome finish easily wipes clean and resists rust and corrosion
- Included tray for storage and organization



Cat. No.	Included Storage	Product Weight
86126	Tray	8.760 lb



Cat. No.	Description	Cat. No.	Description
86110	10mm 120XP™ Universal Spline XL GearBox™ Flex Head Ratcheting Wrench	86115	15mm 120XP™ Universal Spline XL GearBox™ Flex Head Ratcheting Wrench
86111	11mm 120XP™ Universal Spline XL GearBox™ Flex Head Ratcheting Wrench	86116	16mm 120XP™ Universal Spline XL GearBox™ Flex Head Ratcheting Wrench
86112	12mm 120XP™ Universal Spline XL GearBox™ Flex Head Ratcheting Wrench	86117	17mm 120XP™ Universal Spline XL GearBox™ Flex Head Ratcheting Wrench
86113	13mm 120XP™ Universal Spline XL GearBox™ Flex Head Ratcheting Wrench	86118	18mm 120XP™ Universal Spline XL GearBox™ Flex Head Ratcheting Wrench
86114	14mm 120XP™ Universal Spline XL GearBox™ Flex Head Ratcheting Wrench	86119	19mm 120XP™ Universal Spline XL GearBox™ Flex Head Ratcheting Wrench



**120XP™ Universal Spline XL Flex GearBox™ Ratcheting Wrenches**

- 120XP™ wrenches have two double stacked 60-tooth pawls (120 positions) providing a 3° swing arc so you can turn fasteners in tighter confines
- Universal spline drive fits 12-point, 6-point, rounded 6-point, spline, Eternal Torx® and square fasteners
- XL beam design is up to 25% longer than standard wrenches for improved reach, leverage, and torque
- Dual-direction off-corner loading on open end for better grip and reduced fastener rounding
- Highly visible, recessed size markings are color coded for easy identification
- Manufactured from alloy steel for better strength and longer tool life
- Flexible head provides access to hard-to-reach bolts and fasteners
- 0° offset on non-ratcheting end for breaking loose stubborn fasteners
- Bright, full polish chrome finish easily wipes clean and resists corrosion



Cat. No.	SAE/Metric	Fastener Size	End A Width	End A Thickness	End B Width	End B Thickness	Overall Length	Product Weight
86128	SAE	1/4 in	0.45 in	0.22 in	0.61 in	0.27 in	10.203 in	0.176 lb
86129	SAE	5/16 in	0.5 in	0.24 in	0.67 in	0.27 in	11.203 in	0.100 lb
86130	SAE	11/32 in	0.57 in	0.26 in	0.74 in	0.27 in	11.625 in	0.209 lb
86131	SAE	3/8 in	0.64 in	0.27 in	0.81 in	0.29 in	12.406 in	0.276 lb
86132	SAE	7/16 in	0.7 in	0.31 in	0.87 in	0.3 in	12.718 in	0.331 lb
86133	SAE	1/2 in	0.8 in	0.35 in	1 in	0.34 in	15 in	0.535 lb
86134	SAE	9/16 in	0.91 in	0.39 in	1.1 in	0.37 in	15.718 in	0.584 lb
86135	SAE	5/8 in	0.98 in	0.43 in	1.22 in	0.41 in	16.7 in	0.075 lb
86136	SAE	11/16 in	1.08 in	0.43 in	1.24 in	0.42 in	17.109 in	0.871 lb
86137	SAE	3/4 in	1.17 in	0.47 in	1.39 in	0.44 in	18.109 in	1.058 lb
86108	Metric	8 mm	0.5 in	0.24 in	.67 in	.27 in	11.2 in	0.176 lb
86109	Metric	9 mm	0.57 in	0.26 in	.74 in	.27 in	11.6 in	0.209 lb
86110	Metric	10 mm	0.64 in	0.27 in	.81 in	.29 in	12.4 in	0.295 lb
86111	Metric	11 mm	0.7 in	0.31 in	.87 in	.3 in	12.9 in	0.330 lb
86112	Metric	12 mm	0.76 in	0.33 in	.92 in	.32 in	13.8 in	0.475 lb
86113	Metric	13 mm	0.8 in	0.35 in	1 in	.34 in	15 in	0.510 lb
86114	Metric	14 mm	0.91 in	0.39 in	1.1 in	.37 in	15.9 in	0.584 lb
86115	Metric	15 mm	0.95 in	0.43 in	1.15 in	.39 in	16.3 in	0.639 lb
86116	Metric	16 mm	0.98 in	0.43 in	1.22 in	.41 in	16.7 in	0.745 lb
86117	Metric	17 mm	1.08 in	0.43 in	1.24 in	.42 in	17.1 in	0.871 lb
86118	Metric	18 mm	1.13 in	0.45 in	1.28 in	.44 in	17.7 in	0.959 lb
86119	Metric	19 mm	1.17 in	0.47 in	1.39 in	.44 in	18.109 in	1.058 lb

**12 Point XL Flex GearBox™ Ratcheting Wrenches**

- 72 tooth ratcheting box end needs a minimal 5° to move fasteners vs. 30° for standard wrenches
- Off-corner loading design on box ends provide better grip and reduces fastener rounding
- Longer beam provides greater access to confined work areas vs. standard length wrenches
- Flexible head provides access to hard-to-reach bolts and fasteners
- Size conveniently stamped on both ends of the beam for quick identification
- Manufactured from alloy steel for better strength and longer tool life
- Bright, full polish chrome finish easily wipes clean and resists rust and corrosion



Cat. No.	SAE/Metric	Fastener Size	End A Width	End A Thickness	End B Width	End B Thickness	Overall Length	Product Weight
86021	Metric	21 mm	1.22 in	.57 in	1.59 in	.51 in	18.7	1.100 lb
86022	Metric	22 mm	1.22 in	.57 in	1.59 in	.51 in	18.7	1.285 lb
86024	Metric	24 mm	1.33 in	.59 in	1.85 in	.57 in	19.2	1.510 lb

**13 Pc. 12 Point SAE QuadBox™ Double Box Ratcheting Wrench Set**

- QuadBox™ design saves weight in your toolbox by combining 4 sizes on one wrench
- 72 tooth ratcheting box end needs a minimal 5° to move fasteners vs. 30° for standard wrenches
- Off-corner loading design on box end provides better grip and reduces fastener rounding
- Flush mounted reversing levers allow you to change direction without removing the wrench
- Manufactured from alloy steel for better strength and longer tool life
- Bright, full polish chrome finish easily wipes clean and resists corrosion
- Set includes: 1/4" Bit Holder, Phillips® Bits #1 #2 #3, Slotted Bits 1/4" 5/32" 7/32", Torx® Bits T15 T20 T25 T27
- Wrench Sizes: 5/16" x 3/8" 7/16" x 1/2" 9/16" x 5/8" 11/16" x 3/4"



Cat. No.	Included Storage	Product Weight
85200	Bit Holder	0.85 lb

Cat. No.	Description	Cat. No.	Description
85201	QuadBox™ 12 Point Reversible Ratcheting Wrench 5/16" x 3/8" & 7/16" x 1/2"	-	5/32" Slotted Bit
85202D	QuadBox™ 12 Point Reversible Ratcheting Wrench 9/16" x 5/8" & 11/16" x 3/4"	-	7/32" Slotted Bit
-	1/4" Bit Holder	-	T15 Torx® Bit
-	#1 Phillips® Bit	-	T20 Torx® Bit
-	#2 Phillips® Bit	-	T25 Torx® Bit
-	#3 Phillips® Bit	-	T27 Torx® Bit
-	1/8" Slotted Bit	-	

### 3 Pc. 12 Point SAE QuadBox™ Double Box Ratcheting Wrench Set

- QuadBox™ design saves weight in your toolbox by combining 4 sizes on one wrench
- 72 tooth ratcheting box end needs a minimal 5° to move fasteners vs. 30° for standard wrenches
- Off-corner loading design on box end provides better grip and reduces fastener rounding
- Flush mounted reversing levers allow you to change direction without removing the wrench
- Manufactured from alloy steel for better strength and longer tool life
- Bright, full polish chrome finish easily wipes clean and resists corrosion



Cat. No.	Included Storage	Product Weight
85204	None	2.02 lb



Cat. No.	Description
85201	QuadBox™ 12 Point Reversible Ratcheting Wrench 5/16" x 3/8" & 7/16" x 1/2"
85202D	QuadBox™ 12 Point Reversible Ratcheting Wrench 9/16" x 5/8" & 11/16" x 3/4"
85203	QuadBox™ 12 Point Reversible Ratcheting Wrench 13/16" x 7/8" & 15/16" x 1"

### 2 Pc. 12 Point SAE QuadBox® Double Box Ratcheting Wrench Set

- QuadBox™ design saves weight in your toolbox by combining 4 sizes on one wrench
- 72 tooth ratcheting box end needs a minimal 5° to move fasteners vs. 30° for standard wrenches
- Off-corner loading design on box end provides better grip and reduces fastener rounding
- Flush mounted reversing levers allow you to change direction without removing the wrench
- Manufactured from alloy steel for better strength and longer tool life
- Bright, full polish chrome finish easily wipes clean and resists corrosion



Cat. No.	Included Storage	Product Weight
85900	None	0.8 lb



Cat. No.	Description
85201	QuadBox™ 12 Point Reversible Ratcheting Wrench 5/16" x 3/8" & 7/16" x 1/2"
85202D	QuadBox™ 12 Point Reversible Ratcheting Wrench 9/16" x 5/8" & 11/16" x 3/4"

### 13 Pc. 12 Point Metric QuadBox™ Double Box Ratcheting Wrench Set

- QuadBox™ design saves weight in your toolbox by combining 4 sizes on one wrench
- 72 tooth ratcheting box end needs a minimal 5° to move fasteners vs. 30° for standard wrenches
- Off-corner loading design on box end provides better grip and reduces fastener rounding
- Flush mounted reversing levers allow you to change direction without removing the wrench
- Manufactured from alloy steel for better strength and longer tool life
- Bright, full polish chrome finish easily wipes clean and resists corrosion
- Set includes: 1/4" Bit Holder, Phillips® Bits #1 #2 #3, Slotted Bits 1/4" 5/32" 7/32", Torx® Bits T15 T20 T25 T27
- Wrench sizes: 8mm x 10mm, 12mm x 13mm, 16mm x 17mm, 18mm x 19mm



Cat. No.	Included Storage	Product Weight
85210D	Bit Holder	0.90 lb



Cat. No.	Description	Cat. No.	Description
85211	QuadBox™ 12 Point Reversible Ratcheting Wrench 8mm x 10mm & 12mm x 13mm	-	5/32" Slotted Bit
85212	QuadBox™ 12 Point Reversible Ratcheting Wrench 16mm x 17mm & 18mm x 19mm	-	7/32" Slotted Bit
-	1/4" Bit Holder	-	T15 Torx® Bit
-	#1 Phillips® Bit	-	T20 Torx® Bit
-	#2 Phillips® Bit	-	T25 Torx® Bit
-	#3 Phillips® Bit	-	T27 Torx® Bit
-	1/8" Slotted Bit	-	

### 4 Pc. 12 Point Metric QuadBox™ Double Box Ratcheting Wrench Set

- QuadBox™ design saves weight in your toolbox by combining 4 sizes on one wrench
- 72 tooth ratcheting box end needs a minimal 5° to move fasteners vs. 30° for standard wrenches
- Off-corner loading design on box end provides better grip and reduces fastener rounding
- Flush mounted reversing levers allow you to change direction without removing the wrench
- Manufactured from alloy steel for better strength and longer tool life
- Bright, full polish chrome finish easily wipes clean and resists corrosion



Cat. No.	Included Storage	Product Weight
85215	None	2.25 lb



Cat. No.	Description	Cat. No.	Description
85211	QuadBox™ 12 Pt Reversible Ratcheting Wrench 8mmx10mm & 12mmx13mm	85212	QuadBox™ 12 Pt Reversible Ratcheting Wrench 16mmx17mm & 18mmx19mm
85213	QuadBox™ 12 Point Reversible Ratcheting Wrench 9mmx11mm & 14mmx15mm	85214	QuadBox™ 12 Pt Reversible Ratcheting Wrench 20mmx21mm & 22mmx24mm

### 2 Pc. 12 Point Metric QuadBox™ Double Box Ratcheting Wrench Set

- QuadBox™ design saves weight in your toolbox by combining 4 sizes on one wrench
- 72 tooth ratcheting box end needs a minimal 5° to move fasteners vs. 30° for standard wrenches
- Off-corner loading design on box end provides better grip and reduces fastener rounding
- Flush mounted reversing levers allow you to change direction without removing the wrench
- Manufactured from alloy steel for better strength and longer tool life
- Bright, full polish chrome finish easily wipes clean and resists corrosion



Cat. No.	Included Storage	Product Weight
85227	None	0.8 lb

Cat. No.	Description
85211	QuadBox™ 12 Point Reversible Ratcheting Wrench 8mm x 10mm & 12mm x 13mm
85212	QuadBox™ 12 Point Reversible Ratcheting Wrench 16mm x 17mm & 18mm x 19mm

### 12 Point QuadBox™ Double Box Ratcheting Wrenches

- QuadBox™ design saves weight in your toolbox by combining 4 sizes on one wrench
- 72 tooth ratcheting box end needs a minimal 5° to move fasteners vs. 30° for standard wrenches
- Off-corner loading design on box end provides better grip and reduces fastener rounding
- Flush mounted reversing levers allow you to change direction without removing the wrench
- Manufactured from alloy steel for better strength and longer tool life
- Bright, full polish chrome finish easily wipes clean and resists corrosion



Cat. No.	SAE/Metric	End A Fastener Size	End A Width	End A Thickness	End B Fastener Size	End B Width	End B Thickness	Overall Length	Product Weight
85201	SAE	5/16 in x 3/8 in	0.78 in	0.47 in	7/16 in x 1/2 in	0.98 in	0.59 in	6.3 in	0.19 lb
85202D	SAE	9/16 in x 5/8 in	1.2 in	0.67 in	11/16 in x 3/4 in	1.34 in	0.75 in	8.27 in	0.44 lb
85203	SAE	13/16 in x 7/8 in	1.54 in	0.91 in	15/16 in x 1 in	1.79 in	1.1 in	11.42 in	1.04 lb
85211	Metric	8mm x 10mm	0.78 in	0.47 in	12mm x 13mm	0.98 in	0.59 in	6.3 in	0.18 lb
85213	Metric	9mm x 11mm	0.85 in	0.51 in	14mm x 15mm	1.13 in	0.63 in	7.09 in	0.26 lb
85212	Metric	16mm x 17mm	1.27 in	0.71 in	18mm x 19mm	1.34 in	0.79 in	9.06 in	0.47 lb
85214	Metric	20mm x 21mm	1.54 in	0.91 in	22mm x 24mm	1.79 in	1.1 in	11.42 in	1.03 lb

### 4 Pc. 12 Point SAE Double Box Ratcheting Wrench Set

- Save weight in your toolbox by combining 2 sizes on one wrench
- 72 tooth ratcheting box end needs a minimal 5° to move fasteners vs. 30° for standard wrenches
- Off-corner loading design on box end provides better grip and reduces fastener rounding
- Size conveniently stamped on both ends of the beam for quick identification
- Manufactured from alloy steel for better strength and longer tool life
- Bright, full polish chrome finish easily wipes clean and resists corrosion



Cat. No.	Included Storage	Product Weight
9240D	None	1.13 lb

Cat. No.	Description	Cat. No.	Description
9201D	5/16" x 3/8" 12 Point Double Box Ratcheting Wrench	9203	9/16" x 5/8" 12 Point Double Box Ratcheting Wrench
9202D	7/16" x 1/2" 12 Point Double Box Ratcheting Wrench	9204D	11/16" x 3/4" 12 Point Double Box Ratcheting Wrench

### 6 Pc. 12 Point Metric Double Box Ratcheting Wrench Set

- Save weight in your toolbox by combining 2 sizes on one wrench
- 72 tooth ratcheting box end needs a minimal 5° to move fasteners vs. 30° for standard wrenches
- Off-corner loading design on box end provides better grip and reduces fastener rounding
- Size conveniently stamped on both ends of the beam for quick identification
- Manufactured from alloy steel for better strength and longer tool life
- Bright, full polish chrome finish easily wipes clean and resists corrosion

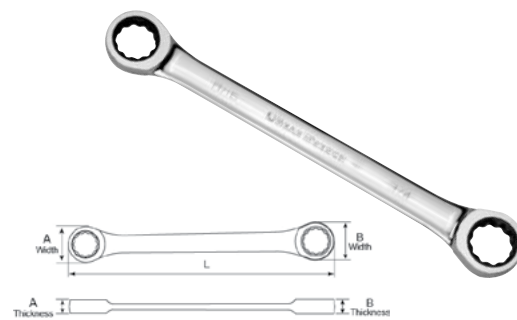


Cat. No.	Included Storage	Product Weight
9260	None	1.60 lb

Cat. No.	Description	Cat. No.	Description
9210D	8mm x 9mm 12 Point Double Box Ratcheting Wrench	9213	14mm x 15mm 12 Point Double Box Ratcheting Wrench
9211D	10mm x 11mm 12 Point Double Box Ratcheting Wrench	9214	16mm x 18mm 12 Point Double Box Ratcheting Wrench
9212D	12mm x 13mm 12 Point Double Box Ratcheting Wrench	9215D	17mm x 19mm 12 Point Double Box Ratcheting Wrench

### 12 Point Double Box Ratcheting Wrenches

- Save weight in your toolbox by combining 2 sizes on one wrench
- 72 tooth ratcheting box end needs a minimal 5° to move fasteners vs. 30° for standard wrenches
- Off-corner loading design on box end provides better grip and reduces fastener rounding
- Size conveniently stamped on both ends of the beam for quick identification
- Manufactured from alloy steel for better strength and longer tool life
- Bright, full polish chrome finish easily wipes clean and resists corrosion



Cat. No.	SAE/Metric	End A Fastener Size	End A Width	End A Thickness	End B Fastener Size	End B Width	End B Thickness	Overall Length	Product Weight
9201D	SAE	5/16 in	0.665 in	0.272 in	3/8 in	0.705 in	0.272 in	5.118 in	0.13 lb
9202D	SAE	7/16 in	0.854 in	0.323 in	1/2 in	0.984 in	0.339 in	6.299 in	0.16 lb
9203	SAE	9/16 in	1.035 in	0.37 in	5/8 in	1.201 in	0.406 in	7.48 in	0.31 lb
9204D	SAE	11/16 in	1.272 in	0.421 in	3/4 in	1.339 in	0.441 in	9.055 in	0.45 lb
9210D	Metric	8mm	0.665 in	0.272 in	9mm	0.705 in	0.272 in	5.118 in	0.11 lb
9211D	Metric	10mm	0.78 in	0.303 in	11mm	0.854 in	0.323 in	5.906 in	0.14 lb
9212D	Metric	12mm	0.906 in	0.339 in	13mm	0.984 in	0.339 in	6.693 in	0.22 lb
9213	Metric	14mm	1.035 in	0.37 in	15mm	1.13 in	0.39 in	7.48 in	0.27 lb
9214	Metric	16mm	1.201 in	0.406 in	18mm	1.307 in	0.441 in	8.268 in	0.42 lb
9215D	Metric	17mm	1.272 in	0.421 in	19mm	1.339 in	0.441 in	9.055 in	0.46 lb

### 4 Pc. External Torx® Double Box Ratcheting Wrench Set

- Save weight in your toolbox by combining 2 sizes on one wrench
- 72 tooth ratcheting box end needs a minimal 5° to move fasteners vs. 30° for standard wrenches
- Off-corner loading design on box end provides better grip and reduces fastener rounding
- Size conveniently stamped on both ends of the beam for quick identification
- Manufactured from alloy steel for better strength and longer tool life
- Bright, full polish chrome finish easily wipes clean and resists corrosion

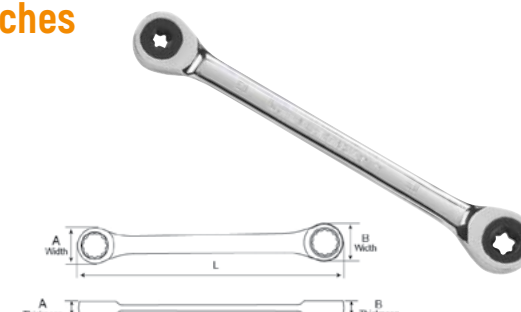


Cat. No.	Included Storage	Product Weight
9224D	None	1.00 lb

Cat. No.	Description	Cat. No.	Description
9220D	E6 x E8 Torx® Double Box Ratcheting Wrench	9222	E14 x E18 Torx® Double Box Ratcheting Wrench
9221	E10 x E12 Torx® Double Box Ratcheting Wrench	9223	E20 x E24 Torx® Double Box Ratcheting Wrench

### External Torx® Double Box Ratcheting Wrenches

- Save weight in your toolbox by combining 2 sizes on one wrench
- 72 tooth ratcheting box end needs a minimal 5° to move fasteners vs. 30° for standard wrenches
- Off-corner loading design on box end provides better grip and reduces fastener rounding
- Size conveniently stamped on both ends of the beam for quick identification
- Manufactured from alloy steel for better strength and longer tool life
- Bright, full polish chrome finish easily wipes clean and resists corrosion



Cat. No.	End A Fastener Size	End A Width	End A Thickness	End B Fastener Size	End B Width	End B Thickness	Overall Length	Product Weight
9220D	E6	0.63 in	0.689 in	E8	0.256 in	0.272 in	5.118 in	0.06 lb
9221	E10	0.748 in	0.811 in	E12	0.287 in	0.303 in	5.906 in	0.11 lb
9222	E14	0.849 in	1.13 in	E18	0.354 in	0.39 in	7.48 in	0.26 lb
9223	E20	1.201 in	1.28 in	E24	0.406 in	0.441 in	9.055 in	0.36 lb

### 4 Pc. 12 Point SAE Reversible Half Moon Double Box Ratcheting Wrench Set

- Save weight in your toolbox by combining 2 sizes on one wrench
- 72 tooth ratcheting box end needs a minimal 5° to move fasteners vs. 30° for standard wrenches
- Off-corner loading design on box end provides better grip and reduces fastener rounding
- Slim half moon design allows for easy access around obstructions
- Flush mounted reversing lever allows you to change direction without removing the wrench
- Size conveniently stamped on both ends of the beam for quick identification
- Manufactured from alloy steel for better strength and longer tool life
- Bright, full polish chrome finish easily wipes clean and resists corrosion



Cat. No.	Included Storage	Product Weight
9840D	None	2.33 lb

Cat. No.	Description	Cat. No.	Description
9841D	3/8" x 7/16" 12 Point Half-Moon Reversible Double Box Ratcheting Wrench	9843D	5/8" x 11/16" 12 Point Half-Moon Reversible Double Box Ratcheting Wrench
9842	1/2" x 9/16" 12 Point Half-Moon Reversible Double Box Ratcheting Wrench	9844	3/4" x 7/8" 12 Point Half-Moon Reversible Double Box Ratcheting Wrench



### 5 Pc. 12 Point Metric Reversible Half Moon Double Box Ratcheting Wrench Set

- Save weight in your toolbox by combining 2 sizes on one wrench
- 72 tooth ratcheting box end needs a minimal 5° to move fasteners vs. 30° for standard wrenches
- Off-corner loading design on box end provides better grip and reduces fastener rounding
- Slim half moon design allows for easy access around obstructions
- Flush mounted reversing lever allows you to change direction without removing the wrench
- Size conveniently stamped on both ends of the beam for quick identification
- Manufactured from alloy steel for better strength and longer tool life
- Bright, full polish chrome finish easily wipes clean and resists corrosion



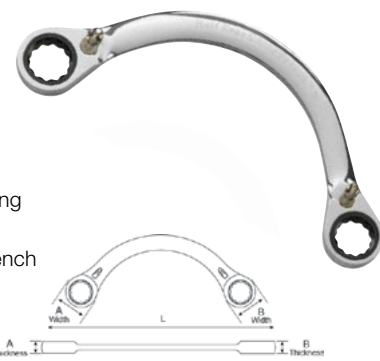
Cat. No.	Included Storage	Product Weight
9850	None	2.61 lb



Cat. No.	Description	Cat. No.	Description
9851D	10mm x 12mm 12 Pt Half-Moon Reversible Double Box Ratcheting Wrench	9854	15mm x 17mm 12 Pt Half-Moon Reversible Double Box Ratcheting Wrench
9852D	11mm x 13mm 12 Pt Half-Moon Reversible Double Box Ratcheting Wrench	9855D	19mm x 22mm 12 Pt Half-Moon Reversible Double Box Ratcheting Wrench
9853	14mm x 16mm 12 Pt Half-Moon Reversible Double Box Ratcheting Wrench		

### 12 Point Reversible Half Moon Double Box Ratcheting Wrenches

- Save weight in your toolbox by combining 2 sizes on one wrench
- 72 tooth ratcheting box end needs a minimal 5° to move fasteners vs. 30° for standard wrenches
- Off-corner loading design on box end provides better grip and reduces fastener rounding
- Slim half moon design allows for easy access around obstructions
- Flush mounted reversing lever allows you to change direction without removing the wrench
- Size conveniently stamped on both ends of the beam for quick identification
- Manufactured from alloy steel for better strength and longer tool life
- Bright, full polish chrome finish easily wipes clean and resists corrosion



Cat. No.	SAE/Metric	End A			End B			Overall Length	Product Weight
		Fastener Size	End A Width	End A Thickness	Fastener Size	End B Width	End B Thickness		
9841D	SAE	3/8 in	0.78 in	0.303 in	7/16 in	0.906 in	0.323 in	5.157 in	0.15 lb
9842	SAE	1/2 in	0.984 in	0.339 in	9/16 in	1.035 in	0.37 in	6.22 in	0.45 lb
9843D	SAE	5/8 in	1.201 in	0.406 in	11/16 in	1.307 in	0.421 in	7.913 in	0.50 lb
9844	SAE	3/4 in	1.339 in	0.441 in	7/8 in	1.535 in	0.512 in	9.094 in	0.19 lb
9851D	Metric	10mm	0.78 in	0.303 in	12mm	0.906 in	0.339 in	5.157 in	0.50 lb
9852D	Metric	11mm	0.854 in	0.323 in	13mm	0.984 in	0.339 in	5.787 in	0.25 lb
9853	Metric	14mm	1.035 in	0.37 in	16mm	1.272 in	0.406 in	6.654 in	1.10 lb
9854	Metric	15mm	1.201 in	0.39 in	17mm	1.307 in	0.421 in	7.913 in	1.30 lb
9855D	Metric	19mm	1.339 in	0.441 in	22mm	1.535 in	0.512 in	9.094 in	1.32 lb

### 4 Pc. 12 Point SAE Reversible S-Shape Double Box Ratcheting Wrench Set

- Save weight in your toolbox by combining 2 sizes on one wrench
- 72 tooth ratcheting box end needs a minimal 5° to move fasteners vs. 30° for standard wrenches
- Off-corner loading design on box end provides better grip and reduces fastener rounding
- Slim S-shape design allows for easy access around obstructions
- Flush mounted reversing lever allows you to change direction without removing the wrench
- Size conveniently stamped on both ends of the beam for quick identification
- Manufactured from alloy steel for better strength and longer tool life
- Bright, full polish chrome finish easily wipes clean and resists corrosion
- Included tray for storage and organization



Cat. No.	Included Storage	Product Weight
85399	Tray	2.40 lb



Cat. No.	Description	Cat. No.	Description
85326	3/8" x 7/16" 12 Point S-Shaped Reversible Double Box Ratcheting Wrench	85342	5/8" x 11/16" 12 Point S-Shaped Reversible Double Box Ratcheting Wrench
85334	1/2" x 9/16" 12 Point S-Shaped Reversible Double Box Ratcheting Wrench	85352	3/4" x 7/8" 12 Point S-Shaped Reversible Double Box Ratcheting Wrench

### 5 Pc. 12 Point Metric Reversible S-Shape Double Box Ratcheting Wrench Set

- Save weight in your toolbox by combining 2 sizes on one wrench
- 72 tooth ratcheting box end needs a minimal 5° to move fasteners vs. 30° for standard wrenches
- Off-corner loading design on box end provides better grip and reduces fastener rounding
- Slim S-shape design allows for easy access around obstructions
- Flush mounted reversing lever allows you to change direction without removing the wrench
- Size conveniently stamped on both ends of the beam for quick identification
- Manufactured from alloy steel for better strength and longer tool life
- Bright, full polish chrome finish easily wipes clean and resists corrosion
- Included tray for storage and organization



Cat. No.	Included Storage	Product Weight
85299	Tray	2.73 lb



Cat. No.	Description	Cat. No.	Description
85222	10mm x 12mm 12 Pt S-Shaped Reversible Double Box Ratcheting Wrench	85232	15mm x 17mm 12 Pt S-Shaped Reversible Double Box Ratcheting Wrench
85224	11mm x 13mm 12 Pt S-Shaped Reversible Double Box Ratcheting Wrench	85241D	19mm x 22mm 12 Pt S-Shaped Reversible Double Box Ratcheting Wrench
85230	14mm x 16mm 12 Pt S-Shaped Reversible Double Box Ratcheting Wrench		

### 12 Point Reversible S-Shape Double Box Ratcheting Wrenches

- Save weight in your toolbox by combining 2 sizes on one wrench
- 72 tooth ratcheting box end needs a minimal 5° to move fasteners vs. 30° for standard wrenches
- Off-corner loading design on box end provides better grip and reduces fastener rounding
- Slim S-shape design allows for easy access around obstructions
- Flush mounted reversing lever allows you to change direction without removing the wrench
- Size conveniently stamped on both ends of the beam for quick identification
- Manufactured from alloy steel for better strength and longer tool life
- Bright, full polish chrome finish easily wipes clean and resists corrosion



Cat. No.	SAE/Metric	End A			End B			Overall Length	Product Weight
		Fastener Size	End A Width	End A Thickness	Fastener Size	End B Width	End B Thickness		
85326	SAE	3/8 in	1.535 in	0.512 in	7/16 in	1.339 in	0.441 in	8.811 in	0.18 lb
85334	SAE	1/2 in	0.984 in	0.37 in	9/16 in	1.035 in	0.339 in	6.268 in	0.29 lb
85342	SAE	5/8 in	1.307 in	0.421 in	11/16 in	1.201 in	0.406 in	8.114 in	0.56 lb
85352	SAE	3/4 in	1.535 in	0.512 in	7/8 in	1.339 in	0.441 in	8.811 in	0.81 lb
85222	Metric	10mm	0.906 in	0.339 in	12mm	0.78 in	0.303 in	5.217 in	0.18 lb
85224	Metric	11mm	0.984 in	0.339 in	13mm	0.854 in	0.323 in	5.65 in	0.23 lb
85230	Metric	14mm	1.272 in	0.406 in	16mm	1.035 in	0.37 in	6.906 in	0.40 lb
85232	Metric	15mm	1.307 in	0.421 in	17mm	1.201 in	0.39 in	8.114 in	0.55 lb
85241D	Metric	19mm	1.535 in	0.512 in	22mm	1.339 in	0.441 in	8.811 in	1.00 lb

### 37 Pc. Access Bit Set with 1/2" Reversible Ratcheting Wrench

- Designed to provide better access to restricted fasteners
- Bits manufactured from S2 steel for maximum strength
- Includes a 1/2" reversible ratcheting wrench with 2 bit adapters
- Bright, full polish chrome finish easily wipes clean and resists corrosion
- Bits and adapters housed in plastic tray for convenient storage and tool retention



Cat. No.	Included Storage	Product Weight
9537NN	Bit Holder	1.020 lb



Cat. No.	Description	Cat. No.	Description
9528N	1/2" 12 Point Reversible Ratcheting Combination Wrench	-	6mm Hex Bit
-	Socket Adapter	-	7mm Hex Bit
-	1/4" Bit Holder	-	8mm Hex Bit
-	5/16" Bit Holder	-	10mm Hex Bit
-	3/32" Hex Bit	-	#1 Phillips® Bit
-	7/64" Hex Bit	-	#2 Phillips® Bit
-	1/8" Hex Bit	-	#3 Phillips® Bit
-	9/64" Hex Bit	-	1/4" Slotted Bit
-	5/32" Hex Bit	-	9/32" Slotted Bit
-	3/16" Hex Bit	-	T10 Torx® Bit
-	7/32" Hex Bit	-	T15 Torx® Bit
-	1/4" Hex Bit	-	T20 Torx® Bit
-	5/16" Hex Bit	-	T25 Torx® Bit
-	3/8" Hex Bit	-	T27 Torx® Bit
-	2mm Hex Bit	-	T30 Torx® Bit
-	2.5mm Hex Bit	-	T40 Torx® Bit
-	3mm Hex Bit	-	T45 Torx® Bit
-	4mm Hex Bit	-	T50 Torx® Bit
-	5mm Hex Bit	-	

### 41 Pc. Ratcheting Wrench Insert Bit Set

- Ratcheting wrench insert bits are designed to give access to fasteners in really tight spaces
- Can be inserted into the box end of a wrench and act like a low profile bit socket
- Fits in 8mm 12mm or 15mm 6 or 12 point wrenches or ratcheting wrenches
- Narrower profile when used in a ratcheting wrench than standard ratchets
- Zinc phosphate coating for corrosion resistance
- Ball detent securely holds the insert bit in the wrench
- Size markings on base for easy identification
- Meets or exceeds ASME and specifications
- Included blow mold case for storage and organization



Cat. No.	Included Storage	Product Weight
81602	Blow Mold Case	1.67



Cat. No.	Description	Cat. No.	Description
-	1/8" Hex Insert Bit	-	12mm Triple Square Insert Bit
-	9/64" Hex Insert Bit	-	#1 Phillips® Insert Bit
-	5/32" Hex Insert Bit	-	#1 Phillips® Insert Bit
-	3/16" Hex Insert Bit	-	#3 Phillips® Insert Bit
-	7/32" Hex Insert Bit	-	#4 Phillips® Insert Bit
-	1/4" Hex Insert Bit	-	1/8" Slotted Insert Bit
-	5/16" Hex Insert Bit	-	3/16" Slotted Insert Bit
-	3/8" Hex Insert Bit	-	1/4" Slotted Insert Bit
-	3mm Hex Insert Bit	-	5/16" Slotted Insert Bit
-	4mm Hex Insert Bit	-	T10 Torx® Insert Bit
-	5mm Hex Insert Bit	-	T15 Torx® Insert Bit
-	6mm Hex Insert Bit	-	T20 Torx® Insert Bit
-	7mm Hex Insert Bit	-	T25 Torx® Insert Bit
-	8mm Hex Insert Bit	-	T27 Torx® Insert Bit
-	9mm Hex Insert Bit	-	T30 Torx® Insert Bit
-	10mm Hex Insert Bit	-	T40 Torx® Insert Bit
-	4mm Triple Square Insert Bit	-	T45 Torx® Insert Bit
-	5mm Triple Square Insert Bit	-	T47 Torx® Insert Bit
-	6mm Triple Square Insert Bit	-	T50 Torx® Insert Bit
-	8mm Triple Square Insert Bit	-	T55 Torx® Insert Bit
-	10mm Triple Square Insert Bit	-	

### 8 Pc. Metric Hex Ratcheting Wrench Insert Bit Set

- Ratcheting wrench insert bits are designed to give access to fasteners in really tight spaces
- Can be inserted into the box end of a wrench and act like a low profile bit socket
- Fits in 8mm 12mm or 15mm 6 or 12 point wrenches or ratcheting wrenches
- Narrower profile when used in a ratcheting wrench than standard ratchets
- Zinc phosphate coating for corrosion resistance
- Ball detent securely holds the insert bit in the wrench
- Size markings on base for easy identification
- Meets or exceeds ASME and specifications
- Included tray for storage and organization



Cat. No.	Included Storage	Product Weight
81550	Tray	0.300 lb

mm



Cat. No.	Description	Cat. No.	Description
-	3mm Hex Insert Bit	-	7mm Hex Insert Bit
-	4mm Hex Insert Bit	-	8mm Hex Insert Bit
-	5mm Hex Insert Bit	-	9mm Hex Insert Bit
-	6mm Hex Insert Bit	-	10mm Hex Insert Bit

### 11 Pc. Torx® Ratcheting Wrench Insert Bit Set

- Ratcheting wrench insert bits are designed to give access to fasteners in really tight spaces
- Can be inserted into the box end of a wrench and act like a low profile bit socket
- Fits in 8mm 12mm or 15mm 6 or 12 point wrenches or ratcheting wrenches
- Narrower profile when used in a ratcheting wrench than standard ratchets
- Zinc phosphate coating for corrosion resistance
- Ball detent securely holds the insert bit in the wrench
- Size markings on base for easy identification
- Meets or exceeds ASME and specifications
- Included tray for storage and organization



Cat. No.	Included Storage	Product Weight
81560	Tray	0.36



Cat. No.	Description	Cat. No.	Description
-	T10 Torx® Insert Bit	-	T40 Torx® Insert Bit
-	T15 Torx® Insert Bit	-	T45 Torx® Insert Bit
-	T20 Torx® Insert Bit	-	T47 Torx® Insert Bit
-	T25 Torx® Insert Bit	-	T50 Torx® Insert Bit
-	T27 Torx® Insert Bit	-	T55 Torx® Insert Bit
-	T30 Torx® Insert Bit	-	

**3 Pc. SAE Drive Adapter Set**

- Socket adapter converts a 3/8" ratcheting wrench to a 1/4" drive tang
- Socket adapter converts a 1/2" ratcheting wrench to a 3/8" drive tang
- Socket adapter converts a 3/4" ratcheting wrench to a 1/2" drive tang
- Bright, full polish chrome finish easily wipes clean and resists corrosion



Cat. No.	Included Storage	Product Weight
9231D	None	0.25 lb

Cat. No.	Description
9217	Wrench Drive Adapter 3/8" to 1/4" Drive Square
9218D	Wrench Drive Adapter 1/2" to 3/8" Drive Square
9219	Wrench Drive Adapter 3/4" to 1/2" Drive Square

**3 Pc. Metric Drive Adapter Set**

- Socket adapter converts a 10mm ratcheting wrench to a 1/4" drive tang
- Socket adapter converts a 13mm ratcheting wrench to a 3/8" drive tang
- Socket adapter converts a 19mm ratcheting wrench to a 1/2" drive tang
- Bright, full polish chrome finish easily wipes clean and resists corrosion



Cat. No.	Included Storage	Product Weight
9230D	None	0.25 lb

Cat. No.	Description
9207	Wrench Drive Adapter 10mm to 1/4" Drive Square
9208D	Wrench Drive Adapter 13mm to 3/8" Drive Square
9209D	Wrench Drive Adapter 19mm to 1/2" Drive Square

**2 Pc. Access Bit Adapter Set**

- Converts a 1/2" ratcheting wrench to a ratcheting bit driver
- Use with 1/4" and 5/16" bits



Cat. No.	Included Storage	Product Weight
9535D	None	0.18 lb

Cat. No.	Description
-	1/4" Bit Drive Adapter for 1/2" Wrench
-	5/16" Bit Drive Adapter for 1/2" Wrench

**5 Pc. 12 Point SAE Laminated Double Box Ratcheting Wrench Set with Roll**



- Save weight in your toolbox by combining 2 sizes on one wrench
- Cleaning dirt and debris from the ratcheting mechanism is easy
- Bright, full polish chrome finish easily wipes clean and resists corrosion
- Laminated construction for greater strength
- Manufactured from alloy steel for better strength and longer tool life
- Made in the USA
- Included tool roll for storage and organization



Cat. No.	Included Storage	Product Weight
27-608G	Tool Roll	1.880 lb

Cat. No.	Description	Cat. No.	Description
27-588G	1/4" x 5/16" 12 Point Laminated Double Box Ratcheting Wrench	27-596G	5/8" x 11/16" 12 Point Laminated Double Box Ratcheting Wrench
27-591G	3/8" x 7/16" 12 Point Laminated Double Box Ratcheting Wrench	27-602G	3/4" x 7/8" 12 Point Laminated Double Box Ratcheting Wrench
27-594G	1/2" x 9/16" 12 Point Laminated Double Box Ratcheting Wrench		

**12 Point Laminated Double Box Ratcheting Wrenches**



- Save weight in your toolbox by combining 2 sizes on one wrench
- Cleaning dirt and debris from the ratcheting mechanism is easy
- Bright, full polish chrome finish easily wipes clean and resists corrosion
- Laminated construction for greater strength
- Manufactured from alloy steel for better strength and longer tool life
- Made in the USA



Cat. No.	SAE/Metric	End A Fastener Size	End A Width	End A Thickness	End B Fastener Size	End B Width	End B Thickness	Overall Length	Product Weight
27-588G	SAE	1/4 in	.593 in	.312 in	5/16 in	1.656 in	.312 in	4.375 in	0.13 lb
27-591G	SAE	3/8 in	.77 in	.375 in	7/16 in	1.875 in	.375 in	5.5 in	0.20 lb
27-594G	SAE	1/2 in	1 in	.375 in	9/16 in	1.125 in	.375 in	6.857 in	0.30 lb
27-596G	SAE	5/8 in	1.312 in	.375 in	11/16 in	1.437 in	.375 in	8.125 in	0.630 lb
27-599G	SAE	5/8 in	1.312 in	.375 in	3/4 in	1.437 in	.375 in	8.125 in	0.430 lb
27-601G	SAE	13/16 in	1.4 in	.375 in	15/16 in	1.406 in	.375 in	9.25 in	0.460 lb
27-602G	SAE	3/4 in	1.4 in	.375 in	7/8 in	1.406 in	.375 in	9.25 in	0.490 lb
27-603G	SAE	1 in	1.9 in	.375 in	1-1/16 in	2.5 in	.375 in	15.25 in	1.400 lb
27-604G	SAE	1-1/8 in	1.9 in	.375 in	1-1/4 in	2.5 in	.375 in	15 in	1.260 lb



### 6 Point Laminated Double Box Ratcheting Wrenches

- Save weight in your toolbox by combining 2 sizes on one wrench
- Cleaning dirt and debris from the ratcheting mechanism is easy
- Bright, full polish chrome finish easily wipes clean and resists corrosion
- Laminated construction for greater strength
- Manufactured from alloy steel for better strength and longer tool life
- Made in the USA



Cat. No.	SAE/Metric	End A Fastener Size	End A Width	End A Thickness	End B Fastener Size	End B Width	End B Thickness	Overall Length	Product Weight
54-590G	Metric	9mm	.77 in	.312 in	10mm	0.875 in	.312 in	5.5 in	0.18 lb
54-596G	Metric	13mm	1.312 in	.375 in	14mm	1.437 in	.375 in	6.875 in	0.29 lb

### 5 Pc. 6 and 12 Point SAE 25° Offset Laminated Double Box Ratcheting Wrench Set with Roll

- Save weight in your toolbox by combining 2 sizes on one wrench
- Cleaning dirt and debris from the ratcheting mechanism is easy
- Reversing lever allows you to change direction without removing the wrench
- Bright, full polish chrome finish easily wipes clean and resists corrosion
- Laminated construction for greater strength
- Manufactured from alloy steel for better strength and longer tool life
- Made in the USA
- Included tool roll for storage and organization



Cat. No.	Included Storage	Product Weight
27-635G	Tool Roll	2.200 lb

Cat. No.	Description	Cat. No.	Description
27-613G	1/4" x 5/16" 6 Point 25° Offset Laminated Ratcheting Box Wrench	27-622G	5/8" x 11/16" 12 Point 25° Offset Laminated Ratcheting Box Wrench
27-616G	3/8" x 7/16" 6 Point 25° Offset Laminated Ratcheting Box Wrench	27-626G	3/4" x 7/8" 12 Point 25° Offset Laminated Ratcheting Box Wrench
27-619G	1/2" x 9/16" 6 Point 25° Offset Laminated Ratcheting Box Wrench		

### 12 Point 25° Offset Laminated Double Box Ratcheting Wrenches

- Save weight in your toolbox by combining 2 sizes on one wrench
- Cleaning dirt and debris from the ratcheting mechanism is easy
- Reversing lever allows you to change direction without removing the wrench
- Bright, full polish chrome finish easily wipes clean and resists corrosion
- Laminated construction for greater strength
- Manufactured from alloy steel for better strength and longer tool life
- Made in the USA



Cat. No.	SAE/Metric	End A Fastener Size	End A Width	End A Thickness	End B Fastener Size	End B Width	End B Thickness	Overall Length	Product Weight
27-614G	SAE	1/4 in	.625 in	.375 in	5/16 in	.375 in	.375 in	4.328 in	0.130 lb
27-617G	SAE	3/8 in	.796 in	.375 in	7/16 in	.906 in	.375 in	5.968 in	0.210 lb
27-620G	SAE	1/2 in	1.015 in	.5 in	9/16 in	1.156 in	.5 in	6.515 in	0.310 lb
27-622G	SAE	5/8 in	1.281 in	.375 in	11/16 in	1.437 in	.375 in	7.656 in	0.660 lb
27-624G	SAE	5/8 in	1.281 in	.375 in	3/4 in	1.437 in	.375 in	7.656 in	0.460 lb
27-626G	SAE	3/4 in	1.406 in	.375 in	7/8 in	1.562 in	.375 in	8.75 in	0.480 lb
27-628G	SAE	13/16 in	1.406 in	.375 in	15/16 in	1.562 in	.375 in	8.75 in	0.480 lb

### 6 Point 25° Offset Laminated Double Box Ratcheting Wrenches

- Save weight in your toolbox by combining 2 sizes on one wrench
- Cleaning dirt and debris from the ratcheting mechanism is easy
- Reversing lever allows you to change direction without removing the wrench
- Bright, full polish chrome finish easily wipes clean and resists corrosion
- Laminated construction for greater strength
- Manufactured from alloy steel for better strength and longer tool life
- Made in the USA



Cat. No.	SAE/Metric	End A Fastener Size	End A Width	End A Thickness	End B Fastener Size	End B Width	End B Thickness	Overall Length	Product Weight
27-613G	SAE	1/4 in	.593 in	.312 in	5/16 in	.656 in	.312 in	4.093 in	0.14 lb
27-616G	SAE	3/8 in	.781 in	.312 in	7/16 in	.875 in	.312 in	5.218 in	0.180 lb
27-619G	SAE	1/2 in	1 in	.375 in	9/16 in	1.125 in	.375 in	6.468 in	0.320 lb
54-640G	Metric	9mm	.781 in	.312 in	10mm	.875 in	.312 in	5.22 in	0.18 lb

### 44 Pc. 12 Point SAE/Metric Long Pattern Combination Wrench Set

- 15° offset for better access in tight spaces
- Off-corner loading design on box end provides better grip and reduces fastener rounding
- Long pattern beam length for improved reach, leverage and torque
- Hard stamped size marking
- Manufactured from alloy steel for better strength and longer tool life
- Bright, full polish chrome finish easily wipes clean and resists corrosion
- Meets or exceeds ASME specifications



Cat. No.	Included Storage	Product Weight
81919	None	35.33 lb

Cat. No.	Description	Cat. No.	Description
81650	1/4" 12 Point Long Pattern Combination Wrench	81666	9mm 12 Point Long Pattern Combination Wrench
81652D	5/16" 12 Point Long Pattern Combination Wrench	81667	10mm 12 Point Long Pattern Combination Wrench
81653	11/32" 12 Point Long Pattern Combination Wrench	81668	11mm 12 Point Long Pattern Combination Wrench
81654	3/8" 12 Point Long Pattern Combination Wrench	81669	12mm 12 Point Long Pattern Combination Wrench
81655	7/16" 12 Point Long Pattern Combination Wrench	81670	13mm 12 Point Long Pattern Combination Wrench
81656	1/2" 12 Point Long Pattern Combination Wrench	81671	14mm 12 Point Long Pattern Combination Wrench
81657	9/16" 12 Point Long Pattern Combination Wrench	81672	15mm 12 Point Long Pattern Combination Wrench
81658	5/8" 12 Point Long Pattern Combination Wrench	81673	16mm 12 Point Long Pattern Combination Wrench
81659	11/16" 12 Point Long Pattern Combination Wrench	81674	17mm 12 Point Long Pattern Combination Wrench
81660	3/4" 12 Point Long Pattern Combination Wrench	81675	18mm 12 Point Long Pattern Combination Wrench
81661	13/16" 12 Point Long Pattern Combination Wrench	81676	19mm 12 Point Long Pattern Combination Wrench
81662	7/8" 12 Point Long Pattern Combination Wrench	81677	20mm 12 Point Long Pattern Combination Wrench
81663	15/16" 12 Point Long Pattern Combination Wrench	81678	21mm 12 Point Long Pattern Combination Wrench
81664	1" 12 Point Long Pattern Combination Wrench	81679	22mm 12 Point Long Pattern Combination Wrench
81733	1-1/16" 12 Point Long Pattern Combination Wrench	81741	23mm 12 Point Long Pattern Combination Wrench
81734	1-1/8" 12 Point Long Pattern Combination Wrench	81742	24mm 12 Point Long Pattern Combination Wrench
81735	1-1/4" 12 Point Long Pattern Combination Wrench	81751	25mm 12 Point Long Pattern Combination Wrench
81749	1-5/16" 12 Point Long Pattern Combination Wrench	81752	26mm 12 Point Long Pattern Combination Wrench
81750	1-1/2" 12 Point Long Pattern Combination Wrench	81743	27mm 12 Point Long Pattern Combination Wrench
81736	6mm 12 Point Long Pattern Combination Wrench	81753	28mm 12 Point Long Pattern Combination Wrench
81737	7mm 12 Point Long Pattern Combination Wrench	81744	30mm 12 Point Long Pattern Combination Wrench
81665	8mm 12 Point Long Pattern Combination Wrench	81745D	32mm 12 Point Long Pattern Combination Wrench

### 24 Pc. 12 Point SAE/Metric Long Pattern Combination Wrench Set

- 15° offset for better access in tight spaces
- Off-corner loading design on box end provides better grip and reduces fastener rounding
- Long pattern beam length for improved reach, leverage and torque
- Hard stamped size marking
- Manufactured from alloy steel for better strength and longer tool life
- Bright, full polish chrome finish easily wipes clean and resists corrosion
- Meets or exceeds ASME specifications



Cat. No.	Included Storage	Product Weight
81900	Tray	12.35 lb



Cat. No.	Description	Cat. No.	Description
81656	1/2" 12 Point Long Pattern Combination Wrench	81668	11mm 12 Point Long Pattern Combination Wrench
81657	9/16" 12 Point Long Pattern Combination Wrench	81669	12mm 12 Point Long Pattern Combination Wrench
81658	5/8" 12 Point Long Pattern Combination Wrench	81670	13mm 12 Point Long Pattern Combination Wrench
81659	11/16" 12 Point Long Pattern Combination Wrench	81671	14mm 12 Point Long Pattern Combination Wrench
81660	3/4" 12 Point Long Pattern Combination Wrench	81672	15mm 12 Point Long Pattern Combination Wrench
81661	13/16" 12 Point Long Pattern Combination Wrench	81673	16mm 12 Point Long Pattern Combination Wrench
81662	7/8" 12 Point Long Pattern Combination Wrench	81674	17mm 12 Point Long Pattern Combination Wrench
81663	15/16" 12 Point Long Pattern Combination Wrench	81675	18mm 12 Point Long Pattern Combination Wrench
81664	1" 12 Point Long Pattern Combination Wrench	81676	19mm 12 Point Long Pattern Combination Wrench
81665	8mm 12 Point Long Pattern Combination Wrench	81677	20mm 12 Point Long Pattern Combination Wrench
81666	9mm 12 Point Long Pattern Combination Wrench	81678	21mm 12 Point Long Pattern Combination Wrench
81667	10mm 12 Point Long Pattern Combination Wrench	81679	22mm 12 Point Long Pattern Combination Wrench

### 18 Pc. 12 Point SAE Long Pattern Combination Wrench Set with Roll

- 15° offset for better access in tight spaces
- Off-corner loading design on box end provides better grip and reduces fastener rounding
- Long pattern beam length for improved reach, leverage and torque
- Hard stamped size marking
- Manufactured from alloy steel for better strength and longer tool life
- Bright, full polish chrome finish easily wipes clean and resists corrosion
- Meets or exceeds ASME specifications
- Included tool roll for storage and organization



Cat. No.	Included Storage	Product Weight
81917	Tool Roll	12.40 lb



Cat. No.	Description	Cat. No.	Description
81650	1/4" 12 Point Long Pattern Combination Wrench	81659	11/16" 12 Point Long Pattern Combination Wrench
81651D	9/32" 12 Point Long Pattern Combination Wrench	81660	3/4" 12 Point Long Pattern Combination Wrench
81652D	5/16" 12 Point Long Pattern Combination Wrench	81661	13/16" 12 Point Long Pattern Combination Wrench
81653	11/32" 12 Point Long Pattern Combination Wrench	81662	7/8" 12 Point Long Pattern Combination Wrench
81654	3/8" 12 Point Long Pattern Combination Wrench	81663	15/16" 12 Point Long Pattern Combination Wrench
81655	7/16" 12 Point Long Pattern Combination Wrench	81664	1" 12 Point Long Pattern Combination Wrench
81656	1/2" 12 Point Long Pattern Combination Wrench	81733	1-1/16" 12 Point Long Pattern Combination Wrench
81657	9/16" 12 Point Long Pattern Combination Wrench	81734	1-1/8" 12 Point Long Pattern Combination Wrench
81658	5/8" 12 Point Long Pattern Combination Wrench	81735	1-1/4" 12 Point Long Pattern Combination Wrench

### 15 Pc. 12 Point SAE Long Pattern Combination Wrench Set

- 15° offset for better access in tight spaces
- Off-corner loading design on box end provides better grip and reduces fastener rounding
- Long pattern beam length for improved reach, leverage and torque
- Hard stamped size marking
- Manufactured from alloy steel for better strength and longer tool life
- Bright, full polish chrome finish easily wipes clean and resists corrosion
- Meets or exceeds ASME specifications
- Included rack for storage and organization



Cat. No.	Included Storage	Product Weight
81901	Wrench Rack	6.05 lb



Cat. No.	Description	Cat. No.	Description
81650	1/4" 12 Point Long Pattern Combination Wrench	81658	5/8" 12 Point Long Pattern Combination Wrench
81651D	9/32" 12 Point Long Pattern Combination Wrench	81659	11/16" 12 Point Long Pattern Combination Wrench
81652D	5/16" 12 Point Long Pattern Combination Wrench	81660	3/4" 12 Point Long Pattern Combination Wrench
81653	11/32" 12 Point Long Pattern Combination Wrench	81661	13/16" 12 Point Long Pattern Combination Wrench
81654	3/8" 12 Point Long Pattern Combination Wrench	81662	7/8" 12 Point Long Pattern Combination Wrench
81655	7/16" 12 Point Long Pattern Combination Wrench	81663	15/16" 12 Point Long Pattern Combination Wrench
81656	1/2" 12 Point Long Pattern Combination Wrench	81664	1" 12 Point Long Pattern Combination Wrench
81657	9/16" 12 Point Long Pattern Combination Wrench		

### 15 Pc. 12 Point SAE Long Pattern Combination Wrench Set with Roll

- 15° offset for better access in tight spaces
- Off-corner loading design on box end provides better grip and reduces fastener rounding
- Long pattern beam length for improved reach, leverage and torque
- Hard stamped size marking
- Manufactured from alloy steel for better strength and longer tool life
- Bright, full polish chrome finish easily wipes clean and resists corrosion
- Meets or exceeds ASME specifications
- Included tool roll for storage and organization



Cat. No.	Included Storage	Product Weight
81918	Tool Roll	12.83 lb

Cat. No.	Description	Cat. No.	Description
81652D	5/16" 12 Point Long Pattern Combination Wrench	81661	13/16" 12 Point Long Pattern Combination Wrench
81654	3/8" 12 Point Long Pattern Combination Wrench	81662	7/8" 12 Point Long Pattern Combination Wrench
81655	7/16" 12 Point Long Pattern Combination Wrench	81663	15/16" 12 Point Long Pattern Combination Wrench
81656	1/2" 12 Point Long Pattern Combination Wrench	81664	1" 12 Point Long Pattern Combination Wrench
81657	9/16" 12 Point Long Pattern Combination Wrench	81733	1-1/16" 12 Point Long Pattern Combination Wrench
81658	5/8" 12 Point Long Pattern Combination Wrench	81734	1-1/8" 12 Point Long Pattern Combination Wrench
81659	11/16" 12 Point Long Pattern Combination Wrench	81735	1-1/4" 12 Point Long Pattern Combination Wrench
81660	3/4" 12 Point Long Pattern Combination Wrench		

### 11 Pc. 12 Point SAE Long Pattern Combination Wrench Set with Roll

- 15° offset for better access in tight spaces
- Off-corner loading design on box end provides better grip and reduces fastener rounding
- Long pattern beam length for improved reach, leverage and torque
- Hard stamped size marking
- Manufactured from alloy steel for better strength and longer tool life
- Bright, full polish chrome finish easily wipes clean and resists corrosion
- Meets or exceeds ASME specifications
- Included tool roll for storage and organization



Cat. No.	Included Storage	Product Weight
81934	Tool Roll	5.840 lb

Cat. No.	Description	Cat. No.	Description
81654	3/8" 12 Point Long Pattern Combination Wrench	81660	3/4" 12 Point Long Pattern Combination Wrench
81655	7/16" 12 Point Long Pattern Combination Wrench	81661	13/16" 12 Point Long Pattern Combination Wrench
81656	1/2" 12 Point Long Pattern Combination Wrench	81662	7/8" 12 Point Long Pattern Combination Wrench
81657	9/16" 12 Point Long Pattern Combination Wrench	81663	15/16" 12 Point Long Pattern Combination Wrench
81658	5/8" 12 Point Long Pattern Combination Wrench	81664	1" 12 Point Long Pattern Combination Wrench
81659	11/16" 12 Point Long Pattern Combination Wrench		

### 7 Pc. 12 Point SAE Long Pattern Combination Wrench Set with Roll

- 15° offset for better access in tight spaces
- Off-corner loading design on box end provides better grip and reduces fastener rounding
- Long pattern beam length for improved reach, leverage and torque
- Hard stamped size marking
- Manufactured from alloy steel for better strength and longer tool life
- Bright, full polish chrome finish easily wipes clean and resists corrosion
- Meets or exceeds ASME specifications
- Included tool roll for storage and organization



Cat. No.	Included Storage	Product Weight
81933	Tool Roll	2.760 lb

Cat. No.	Description	Cat. No.	Description
81654	3/8" 12 Point Long Pattern Combination Wrench	81658	5/8" 12 Point Long Pattern Combination Wrench
81655	7/16" 12 Point Long Pattern Combination Wrench	81659	11/16" 12 Point Long Pattern Combination Wrench
81656	1/2" 12 Point Long Pattern Combination Wrench	81660	3/4" 12 Point Long Pattern Combination Wrench
81657	9/16" 12 Point Long Pattern Combination Wrench		

### 5 Pc. 12 Point SAE Long Pattern Combination Wrench Set with Roll

- 15° offset for better access in tight spaces
- Off-corner loading design on box end provides better grip and reduces fastener rounding
- Long pattern beam length for improved reach, leverage and torque
- Hard stamped size marking
- Manufactured from alloy steel for better strength and longer tool life
- Bright, full polish chrome finish easily wipes clean and resists corrosion
- Meets or exceeds ASME specifications
- Included tool roll for storage and organization



Cat. No.	Included Storage	Product Weight
81921	Tool Roll	9.94 lb

Cat. No.	Description	Cat. No.	Description
81733	1-1/16" 12 Point Long Pattern Combination Wrench	81749	1-5/16" 12 Point Long Pattern Combination Wrench
81734	1-1/8" 12 Point Long Pattern Combination Wrench	81750	1-1/2" 12 Point Long Pattern Combination Wrench
81735	1-1/4" 12 Point Long Pattern Combination Wrench		



### 22 Pc. 12 Point Metric Long Pattern Combination Wrench Set with Roll

- 15° offset for better access in tight spaces
- Off-corner loading design on box end provides better grip and reduces fastener rounding
- Long pattern beam length for improved reach, leverage and torque
- Hard stamped size marking
- Manufactured from alloy steel for better strength and longer tool life
- Bright, full polish chrome finish easily wipes clean and resists corrosion
- Meets or exceeds ASME specifications
- Included tool roll for storage and organization



Cat. No.	Included Storage	Product Weight
81916	Tool Roll	13.90 lb

Cat. No.	Description	Cat. No.	Description
81736	6mm 12 Point Long Pattern Combination Wrench	81674	17mm 12 Point Long Pattern Combination Wrench
81737	7mm 12 Point Long Pattern Combination Wrench	81675	18mm 12 Point Long Pattern Combination Wrench
81665	8mm 12 Point Long Pattern Combination Wrench	81676	19mm 12 Point Long Pattern Combination Wrench
81666	9mm 12 Point Long Pattern Combination Wrench	81677	20mm 12 Point Long Pattern Combination Wrench
81667	10mm 12 Point Long Pattern Combination Wrench	81678	21mm 12 Point Long Pattern Combination Wrench
81668	11mm 12 Point Long Pattern Combination Wrench	81679	22mm 12 Point Long Pattern Combination Wrench
81669	12mm 12 Point Long Pattern Combination Wrench	81741	23mm 12 Point Long Pattern Combination Wrench
81670	13mm 12 Point Long Pattern Combination Wrench	81742	24mm 12 Point Long Pattern Combination Wrench
81671	14mm 12 Point Long Pattern Combination Wrench	81743	27mm 12 Point Long Pattern Combination Wrench
81672	15mm 12 Point Long Pattern Combination Wrench	81744	30mm 12 Point Long Pattern Combination Wrench
81673	16mm 12 Point Long Pattern Combination Wrench	81745D	32mm 12 Point Long Pattern Combination Wrench

### 18 Pc. 12 Point Metric Long Pattern Combination Wrench Set with Roll

- 15° offset for better access in tight spaces
- Off-corner loading design on box end provides better grip and reduces fastener rounding
- Long pattern beam length for improved reach, leverage and torque
- Hard stamped size marking
- Manufactured from alloy steel for better strength and longer tool life
- Bright, full polish chrome finish easily wipes clean and resists corrosion
- Meets or exceeds ASME specifications
- Included tool roll for storage and organization



Cat. No.	Included Storage	Product Weight
81920	Tool Roll	7.82 lb

Cat. No.	Description	Cat. No.	Description
81737	7mm 12 Point Long Pattern Combination Wrench	81673	16mm 12 Point Long Pattern Combination Wrench
81665	8mm 12 Point Long Pattern Combination Wrench	81674	17mm 12 Point Long Pattern Combination Wrench
81666	9mm 12 Point Long Pattern Combination Wrench	81675	18mm 12 Point Long Pattern Combination Wrench
81667	10mm 12 Point Long Pattern Combination Wrench	81676	19mm 12 Point Long Pattern Combination Wrench
81668	11mm 12 Point Long Pattern Combination Wrench	81677	20mm 12 Point Long Pattern Combination Wrench
81669	12mm 12 Point Long Pattern Combination Wrench	81678	21mm 12 Point Long Pattern Combination Wrench
81670	13mm 12 Point Long Pattern Combination Wrench	81679	22mm 12 Point Long Pattern Combination Wrench
81671	14mm 12 Point Long Pattern Combination Wrench	81741	23mm 12 Point Long Pattern Combination Wrench
81672	15mm 12 Point Long Pattern Combination Wrench	81742	24mm 12 Point Long Pattern Combination Wrench

### 15 Pc. 12 Point Metric Long Pattern Combination Wrench Set

- 15° offset for better access in tight spaces
- Off-corner loading design on box end provides better grip and reduces fastener rounding
- Long pattern beam length for improved reach, leverage and torque
- Hard stamped size marking
- Manufactured from alloy steel for better strength and longer tool life
- Bright, full polish chrome finish easily wipes clean and resists corrosion
- Meets or exceeds ASME specifications
- Included rack for storage and organization



Cat. No.	Included Storage	Product Weight
81902	Wrench Rack	9.55 lb



Cat. No.	Description	Cat. No.	Description
81665	8mm 12 Point Long Pattern Combination Wrench	81673	16mm 12 Point Long Pattern Combination Wrench
81666	9mm 12 Point Long Pattern Combination Wrench	81674	17mm 12 Point Long Pattern Combination Wrench
81667	10mm 12 Point Long Pattern Combination Wrench	81675	18mm 12 Point Long Pattern Combination Wrench
81668	11mm 12 Point Long Pattern Combination Wrench	81676	19mm 12 Point Long Pattern Combination Wrench
81669	12mm 12 Point Long Pattern Combination Wrench	81677	20mm 12 Point Long Pattern Combination Wrench
81670	13mm 12 Point Long Pattern Combination Wrench	81678	21mm 12 Point Long Pattern Combination Wrench
81671	14mm 12 Point Long Pattern Combination Wrench	81679	22mm 12 Point Long Pattern Combination Wrench
81672	15mm 12 Point Long Pattern Combination Wrench		

### 9 Pc. 12 Point Metric Long Pattern Combination Wrench Set with Roll

- 15° offset for better access in tight spaces
- Off-corner loading design on box end provides better grip and reduces fastener rounding
- Long pattern beam length for improved reach, leverage and torque
- Hard stamped size marking
- Manufactured from alloy steel for better strength and longer tool life
- Bright, full polish chrome finish easily wipes clean and resists corrosion
- Meets or exceeds ASME specifications
- Included tool roll for storage and organization



Cat. No.	Included Storage	Product Weight
81932	Tool Roll	2.090 lb



Cat. No.	Description	Cat. No.	Description
81737	7mm 12 Point Long Pattern Combination Wrench	81669	12mm 12 Point Long Pattern Combination Wrench
81665	8mm 12 Point Long Pattern Combination Wrench	81670	13mm 12 Point Long Pattern Combination Wrench
81666	9mm 12 Point Long Pattern Combination Wrench	81671	14mm 12 Point Long Pattern Combination Wrench
81667	10mm 12 Point Long Pattern Combination Wrench	81672	15mm 12 Point Long Pattern Combination Wrench
81668	11mm 12 Point Long Pattern Combination Wrench		

### 6 Pc. 12 Point Metric Long Pattern Combination Wrench Set with Roll

- 15° offset for better access in tight spaces
- Off-corner loading design on box end provides better grip and reduces fastener rounding
- Long pattern beam length for improved reach, leverage and torque
- Hard stamped size marking
- Manufactured from alloy steel for better strength and longer tool life
- Bright, full polish chrome finish easily wipes clean and resists corrosion
- Meets or exceeds ASME specifications
- Included tool roll for storage and organization



Cat. No.	Included Storage	Product Weight
81922	Tool Roll	10.20 lb



Cat. No.	Description	Cat. No.	Description
81751	25mm 12 Point Long Pattern Combination Wrench	81753	28mm 12 Point Long Pattern Combination Wrench
81752	26mm 12 Point Long Pattern Combination Wrench	81744	30mm 12 Point Long Pattern Combination Wrench
81743	27mm 12 Point Long Pattern Combination Wrench	81745D	32mm 12 Point Long Pattern Combination Wrench

### 12 Point Long Pattern Combination Wrenches

- 15° offset for better access in tight spaces
- Off-corner loading design on box end provides better grip and reduces fastener rounding
- Long pattern beam length for improved reach, leverage and torque
- Hard stamped size marking
- Manufactured from alloy steel for better strength and longer tool life
- Bright, full polish chrome finish easily wipes clean and resists corrosion
- Meets or exceeds ASME specifications



Cat. No.	SAE/Metric	Fastener Size	End A Width	End A Thickness	End B Width	End B Thickness	Overall Length	Product Weight
81650	SAE	1/4 in	0.52 in	0.161 in	0.449 in	0.197 in	5.09 in	0.07 lb
81651D	SAE	9/32 in	0.567 in	0.169 in	0.484 in	0.209 in	5.44 in	0.09 lb
81652D	SAE	5/16 in	0.654 in	0.177 in	0.535 in	0.217 in	5.8 in	0.09 lb
81653	SAE	11/32 in	0.728 in	0.185 in	0.583 in	0.244 in	6.22 in	0.11 lb
81654	SAE	3/8 in	0.807 in	0.213 in	0.634 in	0.272 in	6.54 in	0.13 lb
81655	SAE	7/16 in	0.894 in	0.236 in	0.685 in	0.295 in	7.29 in	0.18 lb
81656	SAE	1/2 in	1.051 in	0.252 in	0.78 in	0.335 in	8.11 in	0.24 lb
81657	SAE	9/16 in	1.138 in	0.276 in	0.846 in	0.366 in	8.74 in	0.26 lb
81658	SAE	5/8 in	1.291 in	0.303 in	0.941 in	0.413 in	9.52 in	0.38 lb
81659	SAE	11/16 in	1.382 in	0.319 in	1.016 in	0.433 in	10.23 in	0.49 lb

Continued on next page

**12 Point Long Pattern Combination Wrenches** ■ *Continued from previous page*

Cat. No.	SAE/Metric	Fastener Size	End A Width	End A Thickness	End B Width	End B Thickness	Overall Length	Product Weight
81660	SAE	3/4 in	1.551 in	0.362 in	1.098 in	0.476 in	10.972 in	0.53 lb
81661	SAE	13/16 in	1.701 in	0.39 in	1.201 in	0.52 in	11.827 in	0.73 lb
81662	SAE	7/8 in	1.783 in	0.406 in	1.264 in	0.539 in	12.52 in	0.82 lb
81663	SAE	15/16 in	1.945 in	0.429 in	1.327 in	0.579 in	13.252 in	1.04 lb
81664	SAE	1 in	2.024 in	0.445 in	1.398 in	0.598 in	14.035 in	1.15 lb
81733	SAE	1-1/16 in	2.22 in	0.469 in	1.531 in	0.65 in	14.75 in	1.43 lb
81734	SAE	1-1/8 in	2.469 in	0.5 in	1.685 in	0.697 in	16 in	1.85 lb
81815	SAE	1-3/16 in	2.467 in	.49 in	1.76 in	.74 in	16.22 in	1.610 lb
81735	SAE	1-1/4 in	2.634 in	0.524 in	1.811 in	0.724 in	16 in	2.18 lb
81749	SAE	1-5/16 in	3.102 in	0.61 in	2.185 in	0.925 in	18.74 in	2.22 lb
81816	SAE	1-3/8 in	2.81 in	.53 in	2.05 in	.87 in	19.96 in	2.870 lb
81817	SAE	1-7/16 in	3.031 in	.626 in	2.146 in	.866 in	21.102 in	3.340 lb
81750	SAE	1-1/2 in	3.102 in	0.61 in	2.185 in	0.925 in	19.72 in	2.25 lb
81736	Metric	6 mm	0.52 in	0.161 in	0.449 in	0.197 in	5.094 in	0.07 lb
81737	Metric	7 mm	0.567 in	0.169 in	0.484 in	0.209 in	5.445 in	0.07 lb
81665	Metric	8 mm	0.654 in	0.177 in	0.535 in	0.217 in	5.799 in	0.09 lb
81666	Metric	9 mm	0.728 in	0.185 in	0.583 in	0.244 in	6.22 in	0.11 lb
81667	Metric	10 mm	0.807 in	0.213 in	0.634 in	0.272 in	6.543 in	0.13 lb
81668	Metric	11 mm	0.894 in	0.236 in	0.685 in	0.295 in	7.291 in	0.18 lb
81669	Metric	12 mm	0.969 in	0.244 in	0.728 in	0.327 in	7.736 in	0.18 lb
81670	Metric	13 mm	1.051 in	0.252 in	0.78 in	0.335 in	8.114 in	0.30 lb
81671	Metric	14 mm	1.138 in	0.276 in	0.846 in	0.366 in	8.74 in	0.32 lb
81672	Metric	15 mm	1.213 in	0.291 in	0.89 in	0.39 in	9.134 in	0.35 lb
81673	Metric	16 mm	1.291 in	0.303 in	0.941 in	0.413 in	9.524 in	0.40 lb
81674	Metric	17 mm	1.382 in	0.319 in	1.016 in	0.433 in	10.232 in	0.43 lb
81675	Metric	18 mm	1.461 in	0.339 in	1.047 in	0.453 in	10.602 in	0.49 lb
81676	Metric	19 mm	1.55 in	0.36 in	1.08 in	0.472 in	10.97 in	0.54 lb
81677	Metric	20 mm	1.65 in	0.381 in	1.11 in	0.491 in	11.4 in	0.62 lb
81678	Metric	21 mm	1.7 in	0.4 in	1.14 in	0.51 in	11.83 in	0.68 lb
81679	Metric	22 mm	1.783 in	0.406 in	1.264 in	0.539 in	12.52 in	0.69 lb
81741	Metric	23 mm	1.87 in	0.417 in	1.287 in	0.559 in	12.752 in	0.99 lb
81742	Metric	24 mm	1.945 in	0.429 in	1.327 in	0.579 in	13.252 in	1.00 lb
81751	Metric	25 mm	2.024 in	0.445 in	1.398 in	0.598 in	14.035 in	1.10 lb
81752	Metric	26 mm	2.138 in	0.449 in	1.472 in	0.622 in	14.331 in	1.12 lb
81743	Metric	27 mm	2.22 in	0.469 in	1.531 in	0.65 in	14.752 in	1.38 lb
81753	Metric	28 mm	2.469 in	0.5 in	1.685 in	0.697 in	16 in	1.89 lb
81809	Metric	29 mm	2.343 in	.469 in	1.665 in	.673 in	15.394 in	1.610 lb
81744	Metric	30 mm	2.555 in	0.524 in	1.685 in	0.724 in	17 in	2.12 lb
81745D	Metric	32 mm	2.634 in	0.524 in	1.811 in	0.724 in	17.362 in	2.13 lb

**12 Point Long Pattern Satin Combination Wrenches**

- 15° offset for better access in tight spaces
- Off-corner loading design on box end provides better grip and reduces fastener rounding
- Long pattern beam length for improved reach, leverage and torque
- Hard stamped size marking
- Manufactured from alloy steel for better strength and longer tool life
- Satin finish for corrosion protection and simple cleaning
- Meets or exceeds ASME specifications



Cat. No.	SAE/Metric	Fastener Size	End A Width	End A Thickness	End B Width	End B Thickness	Overall Length	Product Weight
81818	SAE	1-5/8 in	3.402 in	.673 in	2.425 in	.957 in	24.094 in	4.310 lb
81819	SAE	1-11/16 in	3.402 in	0.673 in	2.425 in	0.957 in	24.094 in	4.310 lb
81820	SAE	1-3/4 in	3.689 in	0.776 in	2.618 in	0.976 in	25.551 in	5.150 lb
81821	SAE	1-13/16 in	3.689 in	0.776 in	2.618 in	0.976 in	25.551 in	5.150 lb
81822	SAE	1-7/8 in	3.9 in	0.75 in	2.76 in	1.06 in	27.09 in	8.800 lb
81823	SAE	2 in	4.02 in	0.75 in	2.87 in	1.06 in	27.13 in	8.360 lb
81824	SAE	2-1/16 in	4 in	0.75 in	2.87 in	1.06 in	27.09 in	7.920 lb
81825	SAE	2-1/8 in	4.409 in	0.843 in	3.169 in	1.126 in	27.795 in	8.050 lb
81826	SAE	2-3/16 in	4.409 in	0.843 in	3.169 in	1.126 in	27.795 in	8.050 lb
81827	SAE	2-1/4 in	4.409 in	0.843 in	3.169 in	1.126 in	27.795 in	11.550 lb
81828	SAE	2-3/8 in	4.992 in	0.937 in	3.665 in	1.319 in	29.843 in	11.550 lb
81829	SAE	2-1/2 in	4.992 in	0.937 in	3.665 in	1.319 in	29.843 in	11.550 lb
81830	SAE	2-9/16 in	5.43 in	1 in	4.06 in	1.48 in	31.89 in	21.560 lb
81831	SAE	2-5/8 in	5.43 in	1 in	4.02 in	1.5 in	31.89 in	21.120 lb
81832	SAE	2-3/4 in	5.39 in	1 in	4.06 in	1.5 in	31.89 in	20.680 lb
81840	Metric	36 mm	2.81 in	.53 in	2.01 in	.85 in	19.96 in	2.420 lb
81841	Metric	41 mm	3.402 in	0.673 in	2.425 in	0.957 in	24.094 in	4.310 lb
81842	Metric	46 mm	3.689 in	0.776 in	2.618 in	0.976 in	25.551 in	5.150 lb
81843	Metric	50 mm	3.9 in	0.75 in	2.87 in	1.06 in	26.97 in	7.480 lb
81844	Metric	55 mm	4.409 in	0.843 in	3.169 in	1.126 in	27.795 in	8.050 lb
81845	Metric	60 mm	4.992 in	0.937 in	3.665 in	1.319 in	29.843 in	11.550 lb
81846	Metric	65 mm	5.47 in	1 in	4.06 in	1.5 in	31.89 in	20.240 lb
81847	Metric	70 mm	5.39 in	1 in	4.06 in	1.5 in	31.89 in	19.800 lb

### 20 Pc. 12 Point SAE/Metric Stubby Combination Wrench Set

- 15° offset for better access in tight spaces
- Off-corner loading design on box end provides better grip and reduces fastener rounding
- Stubby beam length for when clearance is limited
- Manufactured from alloy steel for better strength and longer tool life
- Bright, full polish chrome finish easily wipes clean and resists corrosion
- Meets or exceeds ASME specifications
- Included tray for storage and organization



Cat. No.	Included Storage	Product Weight
81903	Tray	5.25 lb

Cat. No.	Description	Cat. No.	Description
81624	3/8" 12 Point Stubby Combination Wrench	81634	10mm 12 Point Stubby Combination Wrench
81625	7/16" 12 Point Stubby Combination Wrench	81635	11mm 12 Point Stubby Combination Wrench
81626	1/2" 12 Point Stubby Combination Wrench	81636	12mm 12 Point Stubby Combination Wrench
81627	9/16" 12 Point Stubby Combination Wrench	81637	13mm 12 Point Stubby Combination Wrench
81628	5/8" 12 Point Stubby Combination Wrench	81638	14mm 12 Point Stubby Combination Wrench
81629	11/16" 12 Point Stubby Combination Wrench	81639	15mm 12 Point Stubby Combination Wrench
81630	3/4" 12 Point Stubby Combination Wrench	81640	16mm 12 Point Stubby Combination Wrench
81631	13/16" 12 Point Stubby Combination Wrench	81641	17mm 12 Point Stubby Combination Wrench
81632	7/8" 12 Point Stubby Combination Wrench	81642	18mm 12 Point Stubby Combination Wrench
81633	15/16" 12 Point Stubby Combination Wrench	81643	19mm 12 Point Stubby Combination Wrench

### 10 Pc. 12 Point SAE Stubby Combination Wrench Set

- 15° offset for better access in tight spaces
- Off-corner loading design on box end provides better grip and reduces fastener rounding
- Stubby beam length for when clearance is limited
- Manufactured from alloy steel for better strength and longer tool life
- Bright, full polish chrome finish easily wipes clean and resists corrosion
- Meets or exceeds ASME specifications
- Included tray for storage and organization



Cat. No.	Included Storage	Product Weight
81905	Tray	2.87 lb

Cat. No.	Description	Cat. No.	Description
81624	3/8" 12 Point Stubby Combination Wrench	81629	11/16" 12 Point Stubby Combination Wrench
81625	7/16" 12 Point Stubby Combination Wrench	81630	3/4" 12 Point Stubby Combination Wrench
81626	1/2" 12 Point Stubby Combination Wrench	81631	13/16" 12 Point Stubby Combination Wrench
81627	9/16" 12 Point Stubby Combination Wrench	81632	7/8" 12 Point Stubby Combination Wrench
81628	5/8" 12 Point Stubby Combination Wrench	81633	15/16" 12 Point Stubby Combination Wrench

### 10 Pc. 12 Point Metric Stubby Combination Wrench Set

- 15° offset for better access in tight spaces
- Off-corner loading design on box end provides better grip and reduces fastener rounding
- Stubby beam length for when clearance is limited
- Manufactured from alloy steel for better strength and longer tool life
- Bright, full polish chrome finish easily wipes clean and resists corrosion
- Meets or exceeds ASME specifications
- Included tray for storage and organization



Cat. No.	Included Storage	Product Weight
81904	Tray	2.05 lb

Cat. No.	Description	Cat. No.	Description
81634	10mm 12 Point Stubby Combination Wrench	81639	15mm 12 Point Stubby Combination Wrench
81635	11mm 12 Point Stubby Combination Wrench	81640	16mm 12 Point Stubby Combination Wrench
81636	12mm 12 Point Stubby Combination Wrench	81641	17mm 12 Point Stubby Combination Wrench
81637	13mm 12 Point Stubby Combination Wrench	81642	18mm 12 Point Stubby Combination Wrench
81638	14mm 12 Point Stubby Combination Wrench	81643	19mm 12 Point Stubby Combination Wrench



### 12 Point Stubby Combination Wrenches

- 15° offset for better access in tight spaces
- Off-corner loading design on box end provides better grip and reduces fastener rounding
- Stubby beam length for when clearance is limited
- Manufactured from alloy steel for better strength and longer tool life
- Bright, full polish chrome finish easily wipes clean and resists corrosion
- Meets or exceeds ASME specifications



Cat. No.	SAE/Metric	Fastener Size	End A Width	End A Thickness	End B Width	End B Thickness	Overall Length	Product Weight
81624	SAE	3/8 in	0.807 in	0.181 in	0.634 in	0.232 in	3.752 in	0.09 lb
81625	SAE	7/16 in	0.894 in	0.197 in	0.685 in	0.256 in	4.067 in	0.11 lb
81626	SAE	1/2 in	1.051 in	0.22 in	0.78 in	0.303 in	4.268 in	0.13 lb
81627	SAE	9/16 in	1.138 in	0.236 in	0.846 in	0.327 in	4.543 in	0.15 lb
81628	SAE	5/8 in	1.291 in	0.26 in	0.941 in	0.37 in	4.862 in	0.18 lb
81629	SAE	11/16 in	1.382 in	0.276 in	1.016 in	0.39 in	5.02 in	0.22 lb
81630	SAE	3/4 in	1.551 in	0.315 in	1.098 in	0.429 in	5.492 in	0.29 lb
81631	SAE	13/16 in	1.701 in	0.339 in	1.201 in	0.469 in	5.752 in	0.40 lb
81632	SAE	7/8 in	1.783 in	0.354 in	1.276 in	0.488 in	6.252 in	0.44 lb
81633	SAE	15/16 in	1.945 in	0.378 in	1.327 in	0.528 in	6.5 in	0.53 lb
81634	Metric	10 mm	0.807 in	0.181 in	0.634 in	0.232 in	3.752 in	0.11 lb
81635	Metric	11 mm	0.894 in	0.197 in	0.685 in	0.256 in	4.067 in	0.11 lb
81636	Metric	12 mm	0.969 in	0.209 in	0.728 in	0.276 in	4.189 in	0.11 lb
81637	Metric	13 mm	1.051 in	0.22 in	0.78 in	0.303 in	4.268 in	0.13 lb
81638	Metric	14 mm	1.138 in	0.236 in	0.846 in	0.327 in	4.543 in	0.15 lb
81639	Metric	15 mm	1.213 in	0.248 in	0.89 in	0.346 in	4.701 in	0.18 lb
81640	Metric	16 mm	1.291 in	0.26 in	0.941 in	0.37 in	4.862 in	0.18 lb
81641	Metric	17 mm	1.382 in	0.276 in	1.016 in	0.39 in	5.02 in	0.22 lb
81642	Metric	18 mm	1.461 in	0.295 in	1.047 in	0.409 in	5.142 in	0.24 lb
81643	Metric	19 mm	1.551 in	0.315 in	1.098 in	0.429 in	5.492 in	0.29 lb

### 28 Pc. 6 Point SAE/Metric Combination Wrench Set

- 15° offset for better access in tight spaces
- Off-corner loading design on box end provides better grip and reduces fastener rounding
- 6 point box end design for secure fit on hex fasteners
- Hard stamped size marking
- Manufactured from alloy steel for better strength and longer tool life
- Bright, full polish chrome finish easily wipes clean and resists corrosion
- Meets or exceeds ASME specifications



Cat. No.	Included Storage	Product Weight
81923	None	14.50 lb



Cat. No.	Description	Cat. No.	Description
81768	1/4" 6 Point Combination Wrench	81754	6mm 6 Point Combination Wrench
81769	5/16" 6 Point Combination Wrench	81755	7mm 6 Point Combination Wrench
81770	11/32" 6 Point Combination Wrench	81756	8mm 6 Point Combination Wrench
81771	3/8" 6 Point Combination Wrench	81757	9mm 6 Point Combination Wrench
81772	7/16" 6 Point Combination Wrench	81758	10mm 6 Point Combination Wrench
81773	1/2" 6 Point Combination Wrench	81759	11mm 6 Point Combination Wrench
81774	9/16" 6 Point Combination Wrench	81760D	12mm 6 Point Combination Wrench
81775	5/8" 6 Point Combination Wrench	81761	13mm 6 Point Combination Wrench
81776	11/16" 6 Point Combination Wrench	81762	14mm 6 Point Combination Wrench
81777	3/4" 6 Point Combination Wrench	81763	15mm 6 Point Combination Wrench
81778	13/16" 6 Point Combination Wrench	81764	16mm 6 Point Combination Wrench
81779	7/8" 6 Point Combination Wrench	81765D	17mm 6 Point Combination Wrench
81780D	15/16" 6 Point Combination Wrench	81766	18mm 6 Point Combination Wrench
81781	1" 6 Point Combination Wrench	81767	19mm 6 Point Combination Wrench

### 14 Pc. 6 Point SAE Combination Wrench Set

- 15° offset for better access in tight spaces
- Off-corner loading design on box end provides better grip and reduces fastener rounding
- 6 point box end design for secure fit on hex fasteners
- Hard stamped size marking
- Manufactured from alloy steel for better strength and longer tool life
- Bright, full polish chrome finish easily wipes clean and resists corrosion
- Meets or exceeds ASME specifications



Cat. No.	Included Storage	Product Weight
81924	None	5.15 lb

Cat. No.	Description	Cat. No.	Description
81768	1/4" 6 Point Combination Wrench	81775	5/8" 6 Point Combination Wrench
81769	5/16" 6 Point Combination Wrench	81776	11/16" 6 Point Combination Wrench
81770	11/32" 6 Point Combination Wrench	81777	3/4" 6 Point Combination Wrench
81771	3/8" 6 Point Combination Wrench	81778	13/16" 6 Point Combination Wrench
81772	7/16" 6 Point Combination Wrench	81779	7/8" 6 Point Combination Wrench
81773	1/2" 6 Point Combination Wrench	81780D	15/16" 6 Point Combination Wrench
81774	9/16" 6 Point Combination Wrench	81781	1" 6 Point Combination Wrench

### 14 Pc. 6 Point Metric Combination Wrench Set

- 15° offset for better access in tight spaces
- Off-corner loading design on box end provides better grip and reduces fastener rounding
- 6 point box end design for secure fit on hex fasteners
- Hard stamped size marking
- Manufactured from alloy steel for better strength and longer tool life
- Bright, full polish chrome finish easily wipes clean and resists corrosion
- Meets or exceeds ASME specifications



Cat. No.	Included Storage	Product Weight
81925	None	4.85 lb

Cat. No.	Description	Cat. No.	Description
81754	6mm 6 Point Combination Wrench	81761	13mm 6 Point Combination Wrench
81755	7mm 6 Point Combination Wrench	81762	14mm 6 Point Combination Wrench
81756	8mm 6 Point Combination Wrench	81763	15mm 6 Point Combination Wrench
81757	9mm 6 Point Combination Wrench	81764	16mm 6 Point Combination Wrench
81758	10mm 6 Point Combination Wrench	81765D	17mm 6 Point Combination Wrench
81759	11mm 6 Point Combination Wrench	81766	18mm 6 Point Combination Wrench
81760D	12mm 6 Point Combination Wrench	81767	19mm 6 Point Combination Wrench

### 6 Point Combination Wrenches

- 15° offset for better access in tight spaces
- Off-corner loading design on box end provides better grip and reduces fastener rounding
- 6 point box end design for secure fit on hex fasteners
- Hard stamped size marking
- Manufactured from alloy steel for better strength and longer tool life
- Bright, full polish chrome finish easily wipes clean and resists corrosion
- Meets or exceeds ASME specifications



Cat. No.	SAE/Metric	Fastener Size	End A Width	End A Thickness	End B Width	End B Thickness	Overall Length	Product Weight
81768	SAE	1/4 in	0.52 in	0.161 in	0.449 in	0.197 in	5.094 in	0.05 lb
81769	SAE	5/16 in	0.567 in	0.169 in	0.484 in	0.209 in	5.445 in	0.06 lb
81770	SAE	11/32 in	0.728 in	0.185 in	0.583 in	0.244 in	5.83 in	0.07 lb
81771	SAE	3/8 in	0.807 in	0.213 in	0.634 in	0.272 in	6.2 in	0.09 lb
81772	SAE	7/16 in	0.894 in	0.236 in	0.685 in	0.295 in	6.45 in	0.12 lb
81773	SAE	1/2 in	1.051 in	0.252 in	0.78 in	0.335 in	6.94 in	0.14 lb
81774	SAE	9/16 in	1.138 in	0.276 in	0.846 in	0.366 in	7.44 in	0.20 lb
81775	SAE	5/8 in	1.291 in	0.303 in	0.941 in	0.413 in	8.16 in	0.27 lb
81776	SAE	11/16 in	1.382 in	0.319 in	1.016 in	0.433 in	8.82 in	0.33 lb
81777	SAE	3/4 in	1.551 in	0.362 in	1.098 in	0.476 in	9.75 in	0.41 lb
81778	SAE	13/16 in	1.701 in	0.39 in	1.201 in	0.52 in	11.827 in	0.53 lb
81779	SAE	7/8 in	1.783 in	0.406 in	1.264 in	0.539 in	12.52 in	0.64 lb
81780D	SAE	15/16 in	1.945 in	0.429 in	1.327 in	0.579 in	13.252 in	0.71 lb
81781	SAE	1 in	2.024 in	0.445 in	1.398 in	0.598 in	14.035 in	0.90 lb
81754	Metric	6 mm	0.52 in	0.161 in	0.449 in	0.197 in	5 in	0.06 lb
81755	Metric	7 mm	0.567 in	0.169 in	0.484 in	0.209 in	5.2 in	0.06 lb
81756	Metric	8 mm	0.654 in	0.177 in	0.535 in	0.217 in	5.45 in	0.07 lb
81757	Metric	9 mm	0.728 in	0.185 in	0.583 in	0.244 in	5.83 in	0.09 lb
81758	Metric	10 mm	0.807 in	0.213 in	0.634 in	0.272 in	6.2 in	0.11 lb
81759	Metric	11 mm	0.894 in	0.236 in	0.685 in	0.295 in	6.45 in	0.12 lb
81760D	Metric	12 mm	0.969 in	0.244 in	0.728 in	0.327 in	6.7 in	0.15 lb
81761	Metric	13 mm	1.051 in	0.252 in	0.78 in	0.335 in	6.94 in	0.18 lb
81762	Metric	14 mm	1.138 in	0.276 in	0.846 in	0.366 in	7.44 in	0.21 lb
81763	Metric	15 mm	1.213 in	0.291 in	0.89 in	0.39 in	7.75 in	0.24 lb
81764	Metric	16 mm	1.291 in	0.303 in	0.941 in	0.413 in	8.16 in	0.34 lb
81765D	Metric	17 mm	1.382 in	0.319 in	1.016 in	0.433 in	8.82 in	0.41 lb
81766	Metric	18 mm	1.461 in	0.339 in	1.047 in	0.453 in	9.28 in	0.42 lb
81767	Metric	19 mm	1.551 in	0.362 in	1.098 in	0.476 in	9.75 in	0.55 lb

### 5 Pc. SAE Flex Flare Nut Ratcheting Wrench Set

- Opening in the head gives greater access to fittings used on tubing
- Hex shaped heads maintain a more secure grip on fasteners
- Ideal for use on hex nuts made of softer materials
- Quickly ratchet flare nuts and bolts without removing the wrench from the fastener
- 180° flexible head provides better access to hard-to-reach places
- Manufactured from alloy steel for better strength and longer tool life
- Bright, full polish chrome finish easily wipes clean and resists corrosion
- Meets or exceeds ANSI requirements
- Included tray for storage and organization



Cat. No.	Included Storage	Product Weight
89100	Tray	2.55 lb



Cat. No.	Description	Cat. No.	Description
89109	1/4" x 5/16" Ratcheting Flex Head Flare Nut Wrench	89112	5/8" x 11/16" Ratcheting Flex Head Flare Nut Wrench
89110	3/8" x 7/16" Ratcheting Flex Head Flare Nut Wrench	89113	3/4" x 7/8" Ratcheting Flex Head Flare Nut Wrench
89111	1/2" x 9/16" Ratcheting Flex Head Flare Nut Wrench		

### 3 Pc. SAE Flex Flare Nut Ratcheting Wrench Set

- Opening in the head gives greater access to fittings used on tubing
- Hex shaped heads maintain a more secure grip on fasteners
- Ideal for use on hex nuts made of softer materials
- Quickly ratchet flare nuts and bolts without removing the wrench from the fastener
- 180° flexible head provides better access to hard-to-reach places
- Manufactured from alloy steel for better strength and longer tool life
- Bright, full polish chrome finish easily wipes clean and resists corrosion
- Meets or exceeds ANSI requirements



Cat. No.	Included Storage	Product Weight
89098	None	2.05 lb



Cat. No.	Description
89110	3/8" x 7/16" Ratcheting Flex Head Flare Nut Wrench
89111	1/2" x 9/16" Ratcheting Flex Head Flare Nut Wrench
89112	5/8" x 11/16" Ratcheting Flex Head Flare Nut Wrench

### 6 Pc. Metric Flex Flare Nut Ratcheting Wrench Set

- Opening in the head gives greater access to fittings used on tubing
- Hex shaped heads maintain a more secure grip on fasteners
- Ideal for use on hex nuts made of softer materials
- Quickly ratchet flare nuts and bolts without removing the wrench from the fastener
- 180° flexible head provides better access to hard-to-reach places
- Manufactured from alloy steel for better strength and longer tool life
- Bright, full polish chrome finish easily wipes clean and resists corrosion
- Meets or exceeds ANSI requirements
- Included tray for storage and organization



Cat. No.	Included Storage	Product Weight
89101D	Tray	5.10 lb



Cat. No.	Description	Cat. No.	Description
89102	9mm x 11mm Ratcheting Flex Head Flare Nut Wrench	89105	15mm x 17mm Ratcheting Flex Head Flare Nut Wrench
89103	10mm x 12mm Ratcheting Flex Head Flare Nut Wrench	89106	16mm x 18mm Ratcheting Flex Head Flare Nut Wrench
89104	13mm x 14mm Ratcheting Flex Head Flare Nut Wrench	89107	19mm x 21mm Ratcheting Flex Head Flare Nut Wrench

### 3 Pc. Metric Flex Flare Nut Ratcheting Wrench Set

- Opening in the head gives greater access to fittings used on tubing
- Hex shaped heads maintain a more secure grip on fasteners
- Ideal for use on hex nuts made of softer materials
- Quickly ratchet flare nuts and bolts without removing the wrench from the fastener
- 180° flexible head provides better access to hard-to-reach places
- Manufactured from alloy steel for better strength and longer tool life
- Bright, full polish chrome finish easily wipes clean and resists corrosion
- Meets or exceeds ANSI requirements



Cat. No.	Included Storage	Product Weight
89099	None	2.0 lb



Cat. No.	Description
89103	10mm x 12mm Ratcheting Flex Head Flare Nut Wrench
89104	13mm x 14mm Ratcheting Flex Head Flare Nut Wrench
89105	15mm x 17mm Ratcheting Flex Head Flare Nut Wrench

### Flex Flare Nut Ratcheting Wrenches

- Opening in the head gives greater access to fittings used on tubing
- Hex shaped heads maintain a more secure grip on fasteners
- Ideal for use on hex nuts made of softer materials
- Quickly ratchet flare nuts and bolts without removing the wrench from the fastener
- 180° flexible head provides better access to hard-to-reach places
- Manufactured from alloy steel for better strength and longer tool life
- Bright, full polish chrome finish easily wipes clean and resists corrosion
- Meets or exceeds ANSI requirements



Cat. No.	SAE/Metric	End A Fastener Size	End A Width	End A Thickness	End B Fastener Size	End B Width	End B Thickness	Overall Length	Product Weight
89109	SAE	1/4 in	0.614 in	0.256 in	5/16 in	0.709 in	0.256 in	6.444 in	0.23 lb
89110	SAE	3/8 in	0.835 in	0.394 in	7/16 in	0.898 in	0.394 in	8.597 in	0.41 lb
89111	SAE	1/2 in	1.031 in	0.417 in	9/16 in	1.118 in	0.453 in	10.13 in	0.58 lb
89112	SAE	5/8 in	1.228 in	0.453 in	11/16 in	1.362 in	0.512 in	11.262 in	0.87 lb
89113	SAE	3/4 in	1.394 in	0.559 in	7/8 in	1.598 in	0.579 in	13.243 in	1.28 lb
89102	Metric	9mm	0.811 in	0.374 in	11mm	0.906 in	0.394 in	7.769 in	0.36 lb
89103	Metric	10mm	0.866 in	0.394 in	12mm	0.969 in	0.417 in	9.19 in	0.43 lb
89104	Metric	13mm	1.024 in	0.417 in	14mm	1.063 in	0.453 in	10.29 in	0.58 lb
89105	Metric	15mm	1.15 in	0.453 in	17mm	1.228 in	0.512 in	10.909 in	0.78 lb
89106	Metric	16mm	1.189 in	0.453 in	18mm	1.319 in	0.559 in	11.833 in	0.90 lb
89107	Metric	19mm	1.378 in	0.559 in	21mm	1.535 in	0.579 in	12.996 in	1.28 lb

### 5 Pc. SAE Flex Flare Nut Wrench Set

- Hex shaped heads give more points of contact on the fastener to prevent damage
- Ideal for use on hex nuts made of softer materials
- 180° flexible head provides better access to hard-to-reach places
- Sizes stamped on both sides of the wrench beam for quick identification
- Manufactured from alloy steel for better strength and longer tool life
- Bright, full polish chrome finish easily wipes clean and resists corrosion
- Included tray for storage and organization



Cat. No.	Included Storage	Product Weight
81910	Tray	2.78 lb

Cat. No.	Description	Cat. No.	Description
81693	1/4" x 5/16" Flex Head Flare Nut Wrench	81696	5/8" x 11/16" Flex Head Flare Nut Wrench
81694	3/8" x 7/16" Flex Head Flare Nut Wrench	81697	3/4" x 7/8" Flex Head Flare Nut Wrench
81695	1/2" x 9/16" Flex Head Flare Nut Wrench		

### 3 Pc. SAE Flex Flare Nut Wrench Set

- Hex shaped heads give more points of contact on the fastener to prevent damage
- Ideal for use on hex nuts made of softer materials
- 180° flexible head provides better access to hard-to-reach places
- Sizes stamped on both sides of the wrench beam for quick identification
- Manufactured from alloy steel for better strength and longer tool life
- Bright, full polish chrome finish easily wipes clean and resists corrosion
- Included tray for storage and organization



Cat. No.	Included Storage	Product Weight
81914	Tray	1.28 lb



Cat. No.	Description
81694	3/8" x 7/16" Flex Head Flare Nut Wrench
81695	1/2" x 9/16" Flex Head Flare Nut Wrench
81696	5/8" x 11/16" Flex Head Flare Nut Wrench

### 6 Pc. Metric Flex Flare Nut Wrench Set

- Hex shaped heads give more points of contact on the fastener to prevent damage
- Ideal for use on hex nuts made of softer materials
- 180° flexible head provides better access to hard-to-reach places
- Sizes stamped on both sides of the wrench beam for quick identification
- Manufactured from alloy steel for better strength and longer tool life
- Bright, full polish chrome finish easily wipes clean and resists corrosion
- Included tray for storage and organization



Cat. No.	Included Storage	Product Weight
81911D	Tray	3.47 lb



Cat. No.	Description	Cat. No.	Description
81686	9mm x 11mm Flex Head Flare Nut Wrench	81689	15mm x 17mm Flex Head Flare Nut Wrench
81687	10mm x 12mm Flex Head Flare Nut Wrench	81690	16mm x 18mm Flex Head Flare Nut Wrench
81688	13mm x 14mm Flex Head Flare Nut Wrench	81692	19mm x 21mm Flex Head Flare Nut Wrench



### 3 Pc. Metric Flex Flare Nut Wrench Set

- Hex shaped heads give more points of contact on the fastener to prevent damage
- Ideal for use on hex nuts made of softer materials
- 180° flexible head provides better access to hard-to-reach places
- Sizes stamped on both sides of the wrench beam for quick identification
- Manufactured from alloy steel for better strength and longer tool life
- Bright, full polish chrome finish easily wipes clean and resists corrosion
- Included tray for storage and organization



Cat. No.	Included Storage	Product Weight
81915	Tray	0.97 lb



Cat. No.	Description
81686	9mm x 11mm Flex Head Flare Nut Wrench
81687	10mm x 12mm Flex Head Flare Nut Wrench
81688	13mm x 14mm Flex Head Flare Nut Wrench

### Flex Flare Nut Wrenches

- Hex shaped heads give more points of contact on the fastener to prevent damage
- Ideal for use on hex nuts made of softer materials
- 180° flexible head provides better access to hard-to-reach places
- Sizes stamped on both sides of the wrench beam for quick identification
- Manufactured from alloy steel for better strength and longer tool life
- Bright, full polish chrome finish easily wipes clean and resists corrosion



Cat. No.	SAE/Metric	End A Fastener Size	End A Width	End A Thickness	End B Fastener Size	End B Width	End B Thickness	Overall Length	Product Weight
81693	SAE	1/4 in	0.63 in	0.72 in	5/16 in	0.256 in	0.256 in	5.709 in	0.08 lb
81694	SAE	3/8 in	0.772 in	0.811 in	7/16 in	0.394 in	0.394 in	7.13 in	0.20 lb
81695	SAE	1/2 in	0.89 in	0.953 in	9/16 in	0.417 in	0.453 in	8.429 in	0.29 lb
81696	SAE	5/8 in	1.122 in	1.181 in	11/16 in	0.453 in	0.512 in	9.303 in	0.57 lb
81697	SAE	3/4 in	1.252 in	1.37 in	7/8 in	0.559 in	0.579 in	11.146 in	0.58 lb
81686	Metric	9mm	0.732 in	0.811 in	11mm	0.374 in	0.394 in	6.264 in	0.21 lb
81687	Metric	10mm	0.772 in	0.85 in	12mm	0.394 in	0.417 in	7.563 in	0.26 lb
81688	Metric	13mm	0.89 in	0.953 in	14mm	0.417 in	0.453 in	8.429 in	0.36 lb
81689	Metric	15mm	1.122 in	1.181 in	17mm	0.453 in	0.512 in	9.303 in	0.36 lb
81690	Metric	16mm	1.122 in	1.252 in	18mm	0.453 in	0.559 in	10.169 in	0.63 lb
81692	Metric	19mm	1.465 in	1.37 in	21mm	0.559 in	0.579 in	11.146 in	0.58 lb

### 6 Pc. SAE Flare Nut Wrench Set

- Hex shaped heads give more points of contact on the fastener to prevent damage
- Ideal for use on hex nuts made of softer materials
- 15° offset wrench heads
- Sizes stamped on both sides of the wrench beam for quick identification
- Manufactured from alloy steel for better strength and longer tool life
- Bright, full polish chrome finish easily wipes clean and resists corrosion
- Included tray for storage and organization



Cat. No.	Included Storage	Product Weight
81907	Tray	2.43 lb



Cat. No.	Description	Cat. No.	Description
81680	1/4" x 5/16" Flare Nut Wrench	81683	5/8" x 11/16" Flare Nut Wrench
81681	3/8" x 7/16" Flare Nut Wrench	81684	5/8" x 3/4" Flare Nut Wrench
81682	1/2" x 9/16" Flare Nut Wrench	81685	3/4" x 7/8" Flare Nut Wrench

### 6 Pc. Metric Flare Nut Wrench Set

- Hex shaped heads give more points of contact on the fastener to prevent damage
- Ideal for use on hex nuts made of softer materials
- 15° offset wrench heads
- Sizes stamped on both sides of the wrench beam for quick identification
- Manufactured from alloy steel for better strength and longer tool life
- Bright, full polish chrome finish easily wipes clean and resists corrosion
- Included tray for storage and organization



Cat. No.	Included Storage	Product Weight
81906	Tray	2.65 lb



Cat. No.	Description	Cat. No.	Description
81644	9mm x 11mm Flare Nut Wrench	81647	15mm x 17mm Flare Nut Wrench
81645	10mm x 12mm Flare Nut Wrench	81648	16mm x 18mm Flare Nut Wrench
81646	13mm x 14mm Flare Nut Wrench	81649	19mm x 21mm Flare Nut Wrench

### Flare Nut Wrenches

- Hex shaped heads give more points of contact on the fastener to prevent damage
- Ideal for use on hex nuts made of softer materials
- 15° offset wrench heads
- Sizes stamped on both sides of the wrench beam for quick identification
- Manufactured from alloy steel for better strength and longer tool life
- Bright, full polish chrome finish easily wipes clean and resists corrosion



Cat. No.	SAE/Metric	End A Fastener Size	End A Width	End A Thickness	End B Fastener Size	End B Width	End B Thickness	Overall Length	Product Weight
81680	SAE	1/4 in	0.63 in	0.681 in	5/16 in	0.236 in	0.268 in	5.118 in	0.11 lb
81681	SAE	3/8 in	0.764 in	0.87 in	7/16 in	0.323 in	0.35 in	5.984 in	0.15 lb
81682	SAE	1/2 in	0.98 in	1.028 in	9/16 in	0.386 in	0.409 in	7.035 in	0.26 lb
81683	SAE	5/8 in	1.083 in	1.197 in	11/16 in	0.441 in	0.476 in	7.614 in	0.39 lb
81684	SAE	5/8 in	1.142 in	1.26 in	3/4 in	0.457 in	0.496 in	8.287 in	0.46 lb
81685	SAE	3/4 in	1.323 in	1.461 in	7/8 in	0.516 in	0.539 in	8.858 in	0.60 lb
81644	Metric	9mm	0.764 in	0.87 in	11mm	0.323 in	0.35 in	5.984 in	0.20 lb
81645	Metric	10mm	0.827 in	0.925 in	12mm	0.339 in	0.37 in	6.535 in	0.22 lb
81646	Metric	13mm	0.98 in	1.028 in	14mm	0.386 in	0.409 in	7.035 in	0.29 lb
81647	Metric	15mm	1.083 in	1.197 in	17mm	0.441 in	0.476 in	7.614 in	0.40 lb
81648	Metric	16mm	1.142 in	1.26 in	18mm	0.457 in	0.496 in	8.287 in	0.46 lb
81649	Metric	19mm	1.323 in	1.461 in	21mm	0.516 in	0.539 in	8.858 in	0.62 lb

### 11 Pc. 3/8" Drive SAE Ratcheting Crowfoot Wrench Set

- Allows access to fasteners in confined spaces where a wrench or socket will not fit
- Quickly ratchet nuts and bolts without removing the fastener from the wrench
- Size markings laser etched on both sides of the head for easy identification
- Arrow stamped on the head clearly identifies the direction of rotation
- Bright, full polish chrome finish easily wipes clean and resists corrosion
- Meets or exceeds ASME requirements
- Included blow mold case for storage and organization



Cat. No.	Included Storage	Product Weight
89118	Blow Mold Case	2.20 lb

Cat. No.	Description	Cat. No.	Description
89120	3/8" Drive Ratcheting Crowfoot SAE Wrench 3/8"	89126	3/8" Drive Ratcheting Crowfoot SAE Wrench 3/4"
89121	3/8" Drive Ratcheting Crowfoot SAE Wrench 7/16"	89127	3/8" Drive Ratcheting Crowfoot SAE Wrench 13/16"
89122	3/8" Drive Ratcheting Crowfoot SAE Wrench 1/2"	89128	3/8" Drive Ratcheting Crowfoot SAE Wrench 7/8"
89123	3/8" Drive Ratcheting Crowfoot SAE Wrench 9/16"	89129	3/8" Drive Ratcheting Crowfoot SAE Wrench 15/16"
89124	3/8" Drive Ratcheting Crowfoot SAE Wrench 5/8"	89130	3/8" Drive Ratcheting Crowfoot SAE Wrench 1"
89125	3/8" Drive Ratcheting Crowfoot SAE Wrench 11/16"		

### 10 Pc. 3/8" Drive Metric Ratcheting Crowfoot Wrench Set

- Allows access to fasteners in confined spaces where a wrench or socket will not fit
- Quickly ratchet nuts and bolts without removing the fastener from the wrench
- Size markings laser etched on both sides of the head for easy identification
- Arrow stamped on the head clearly identifies the direction of rotation
- Bright, full polish chrome finish easily wipes clean and resists corrosion
- Meets or exceeds ASME requirements
- Included blow mold case for storage and organization



Cat. No.	Included Storage	Product Weight
89119	Blow Mold Case	1.30 lb

Cat. No.	Description	Cat. No.	Description
89140	3/8" Drive Ratcheting Crowfoot Metric Wrench 10mm	89145	3/8" Drive Ratcheting Crowfoot Metric Wrench 15mm
89141	3/8" Drive Ratcheting Crowfoot Metric Wrench 11mm	89146	3/8" Drive Ratcheting Crowfoot Metric Wrench 16mm
89142	3/8" Drive Ratcheting Crowfoot Metric Wrench 12mm	89147	3/8" Drive Ratcheting Crowfoot Metric Wrench 17mm
89143	3/8" Drive Ratcheting Crowfoot Metric Wrench 13mm	89148	3/8" Drive Ratcheting Crowfoot Metric Wrench 18mm
89144	3/8" Drive Ratcheting Crowfoot Metric Wrench 14mm	89149	3/8" Drive Ratcheting Crowfoot Metric Wrench 19mm

### 3/8" Drive Ratcheting Crowfoot Wrenches

- Allows access to fasteners in confined spaces where a wrench or socket will not fit
- Quickly ratchet nuts and bolts without removing the fastener from the wrench
- Size markings laser etched for easy identification
- Arrow stamped on the head clearly identifies the direction of rotation
- Bright, full polish chrome finish easily wipes clean and resists corrosion
- Meets or exceeds ASME requirements



Cat. No.	SAE/Metric	Fastener Size	End A Width	End A Thickness	End A Length	Product Weight
89120	SAE	3/8 in	0.909 in	0.224 in	1.378 in	0.04 lb
89121	SAE	7/16 in	0.988 in	0.252 in	1.417 in	0.05 lb
89122	SAE	1/2 in	1.134 in	0.319 in	1.575 in	0.09 lb
89123	SAE	9/16 in	1.244 in	0.327 in	1.654 in	0.10 lb
89124	SAE	5/8 in	1.35 in	0.346 in	1.772 in	0.12 lb
89125	SAE	11/16 in	1.476 in	0.362 in	1.89 in	0.14 lb
89126	SAE	3/4 in	1.602 in	0.374 in	2.047 in	0.19 lb
89127	SAE	13/16 in	1.803 in	0.425 in	2.205 in	0.24 lb
89128	SAE	7/8 in	1.866 in	0.449 in	2.283 in	0.29 lb
89129	SAE	15/16 in	1.992 in	0.465 in	2.362 in	0.32 lb
89130	SAE	1 in	2.087 in	0.476 in	2.441 in	0.32 lb
89140	Metric	10 mm	0.909 in	0.224 in	1.378 in	0.04 lb
89141	Metric	11 mm	0.988 in	0.252 in	1.417 in	0.05 lb
89142	Metric	12 mm	1.094 in	0.291 in	1.496 in	0.09 lb
89143	Metric	13 mm	1.134 in	0.319 in	1.575 in	0.10 lb
89144	Metric	14 mm	1.244 in	0.327 in	1.654 in	0.12 lb
89145	Metric	15 mm	1.331 in	0.327 in	1.693 in	0.14 lb
89146	Metric	16 mm	1.35 in	0.346 in	1.772 in	0.19 lb
89147	Metric	17 mm	1.476 in	0.362 in	1.89 in	0.24 lb
89148	Metric	18 mm	1.539 in	0.37 in	1.969 in	0.29 lb
89149	Metric	19 mm	1.602 in	0.374 in	2.047 in	0.32 lb

### 11 Pc. 3/8" Drive SAE Crowfoot Wrench Set

- Allows access to fasteners in confined spaces where a wrench or socket will not fit
- Size markings are stamped on head for easy identification
- Bright, full polish chrome finish easily wipes clean and resists corrosion
- Included tray for storage and organization



Cat. No.	Included Storage	Product Weight
81908	Tray	1.98 lb

Cat. No.	Description	Cat. No.	Description
81603	3/8" Drive Crowfoot SAE Wrench 3/8"	81609	3/8" Drive Crowfoot SAE Wrench 3/4"
81604	3/8" Drive Crowfoot SAE Wrench 7/16"	81610	3/8" Drive Crowfoot SAE Wrench 13/16"
81605	3/8" Drive Crowfoot SAE Wrench 1/2"	81611D	3/8" Drive Crowfoot SAE Wrench 7/8"
81606	3/8" Drive Crowfoot Metric Wrench 9/16"	81612D	3/8" Drive Crowfoot SAE Wrench 15/16"
81607	3/8" Drive Crowfoot SAE Wrench 5/8"	81613	3/8" Drive Crowfoot SAE Wrench 1"
81608	3/8" Drive Crowfoot SAE Wrench 11/16"		

### 10 Pc. 3/8" Drive Metric Crowfoot Wrench Set

- Allows access to fasteners in confined spaces where a wrench or socket will not fit
- Size markings are stamped on head for easy identification
- Bright, full polish chrome finish easily wipes clean and resists corrosion
- Included tray for storage and organization



Cat. No.	Included Storage	Product Weight
81909	Tray	1.43 lb

Cat. No.	Description	Cat. No.	Description
81614	3/8" Drive Crowfoot Metric Wrench 10mm	81619	3/8" Drive Crowfoot Metric Wrench 15mm
81615	3/8" Drive Crowfoot Metric Wrench 11mm	81620	3/8" Drive Crowfoot Metric Wrench 16mm
81616	3/8" Drive Crowfoot Metric Wrench 12mm	81621	3/8" Drive Crowfoot Metric Wrench 17mm
81617	3/8" Drive Crowfoot Metric Wrench 13mm	81622	3/8" Drive Crowfoot Metric Wrench 18mm
81618	3/8" Drive Crowfoot Metric Wrench 14mm	81623	3/8" Drive Crowfoot Metric Wrench 19mm

### 3/8" Drive Crowfoot Wrenches

- Allows access to fasteners in confined spaces where a wrench or socket will not fit
- Size markings are stamped on head for easy identification
- Bright, full polish chrome finish easily wipes clean and resists corrosion



Cat. No.	SAE/Metric	Fastener Size	End A Width	End A Thickness	End B Width	End B Thickness	Overall Length	Product Weight
81603	SAE	3/8 in	0.885 in	.187 in	.731 in	.431 in	1.345 in	0.09 lb
81604	SAE	7/16 in	.963 in	.195 in	.728 in	.435 in	1.362 in	0.09 lb
81605	SAE	1/2 in	1.045 in	.215 in	.74 in	.436 in	1.44 in	0.09 lb
81606	SAE	9/16 in	1.2 in	.248 in	.73 in	.423 in	1.526 in	0.09 lb
81607	SAE	5/8 in	1.32 in	.29 in	.734 in	.415 in	1.656 in	0.13 lb
81608	SAE	11/16 in	1.44 in	.305 in	.735 in	.44 in	1.752 in	0.13 lb
81609	SAE	3/4 in	1.605 in	.312 in	.742 in	.445 in	1.883 in	0.15 lb
81610	SAE	13/16 in	1.794 in	.325 in	.887 in	.445 in	2.068 in	0.22 lb
81611D	SAE	7/8 in	1.865 in	.335 in	.899 in	.445 in	2.085 in	0.22 lb
81612D	SAE	15/16 in	1.928 in	.344 in	.901 in	.443 in	2.172 in	0.29 lb
81613	SAE	1 in	1.916 in	.345 in	.881 in	.44 in	2.148 in	0.29 lb
81614	Metric	10 mm	.885 in	.194 in	.729 in	.427 in	1.331 in	0.09 lb
81615	Metric	11 mm	.958 in	.197 in	.728 in	.436 in	1.372 in	0.09 lb
81616	Metric	12 mm	1.065 in	.2 in	.733 in	.439 in	1.442 in	0.09 lb
81617	Metric	13 mm	1.063 in	.221 in	.732 in	.438 in	1.447 in	0.09 lb
81618	Metric	14 mm	1.2 in	.224 in	.723 in	.424 in	1.547 in	0.09 lb
81619	Metric	15 mm	1.325 in	.275 in	.735 in	.414 in	1.653 in	0.12 lb
81620	Metric	16 mm	1.318 in	.3 in	.735 in	.412 in	1.658 in	0.12 lb
81621	Metric	17 mm	1.454 in	.299 in	.749 in	.432 in	1.776 in	0.12 lb
81622	Metric	18 mm	1.438 in	.295 in	.732 in	.428 in	1.775 in	0.13 lb
81623	Metric	19 mm	1.6 in	.314 in	.736 in	.446 in	1.9 in	0.16 lb

### Adjustable Face Spanner Wrenches

- Adjustable span allows wrenches to fit a range of collar sizes
- Forged from durably strong alloy steel
- Black oxide finish to resist corrosion
- Hard stamped size markings on the handle for quick identification
- Meets or exceeds US Federal Specification GGG-W-665C



Cat. No.	Capacity Diameter Adjustable Min	Capacity Diameter Adjustable Max	Pin Diameter	Pin Height	Overall Length	Product Weight
81850	0 in	2 in	.184 in	.131 in	6.3 in	.36 lb
81851	0 in	3 in	.245 in	.194 in	8.13 in	.66 lb
81852	0 in	4 in	.307 in	.256 in	10.28 in	1.01 lb

### Adjustable Pin Spanner Wrenches

- Adjustable span allows wrenches to fit a range of collar sizes
- Forged from durably strong alloy steel
- Black oxide finish to resist corrosion
- Hard stamped size markings on the handle for quick identification
- Pin diameter stamped on each handle
- Meets or exceeds US Federal Specification GGG-W-665C



Cat. No.	Capacity Diameter Adjustable Min	Capacity Diameter Adjustable Max	Pin Diameter	Pin Height	Overall Length	Product Weight
81860	.75 in	2 in	.127 in	.129 in	6.2 in	.28 lb
81861	.75 in	2 in	.184 in	.16 in	6.2 in	.28 lb
81862	1.25 in	3 in	.184 in	.188 in	7.8 in	.54 lb
81863	1.25 in	3 in	.245 in	.221 in	7.8 in	.55 lb
81864	2 in	4.75 in	.245 in	.253 in	10.87 in	1.07 lb
81865	4.5 in	6.25 in	.37 in	.253 in	11.97 in	1.18 lb

### Adjustable Hook Spanner Wrenches

- Adjustable span allows wrenches to fit a range of collar sizes
- Forged from durably strong alloy steel
- Black oxide finish to resist corrosion
- Hard stamped size markings on the handle for quick identification
- Meets or exceeds US Federal Specification GGG-W-665C



Cat. No.	Capacity Diameter Adjustable Min	Capacity Diameter Adjustable Max	Overall Length	Product Weight
81854	.75 in	2 in	6.3 in	.28 lb
81855	1.25 in	3 in	7.87 in	.56 lb
81856	2 in	4.75 in	10.87 in	1.05 lb
81857	4.5 in	6.25 in	11.97 in	1.17 lb
81858	6.125 in	8.75 in	11.97 in	1.31 lb



### 6 Point Straight Slugging Wrenches

- Perfect when the extreme force or torque of a sledge is necessary to loosen or tighten large fasteners
- Large striking surface gives you more efficient hammer contact for applying force to the fastener
- Handle length permits use in confined areas
- Designed to remain engaged with the fastener when the wrench is struck
- Straight rectangular design withstands heavy sledging, resists springing, and transmits force more effectively to the fastener
- Manufactured from alloy steel and heat-treated for greater strength and durability
- Meets or exceeds US Federal Spec. GGG-W-636E
- Made in the USA



Cat. No.	SAE/Metric	Fastener Size	End A Width	End A Thickness	End B Width	End B Thickness	Overall Length	Product Weight
82321	SAE	1-1/16 in	1.718 in	.625 in	1 in	.812 in	9.88 in	1.730 lb
82322	SAE	1-1/4 in	1.906 in	.718 in	1 in	.812 in	10.25 in	1.740 lb
82323	SAE	1-7/16 in	2.156 in	.875 in	1.125 in	.968 in	10.56 in	2.540 lb
82324	SAE	1-5/8 in	2.375 in	.968 in	1.218 in	1.968 in	11 in	2.970 lb
82325	SAE	1-13/16 in	2.562 in	1 in	1.25 in	1.093 in	11.31 in	3.380 lb
82326	SAE	2 in	2.875 in	1.218 in	1.5 in	1.218 in	11.69 in	4.280 lb
82327	SAE	2-3/16 in	3.125 in	1.25 in	1.625 in	1.25 in	12 in	5.150 lb
82328	SAE	2-3/8 in	3.25 in	1.437 in	1.5 in	1.25 in	12.38 in	5.620 lb
82329	SAE	2-9/16 in	3.562 in	1.531 in	1.5 in	1.312 in	12.69 in	6.430 lb
82330	SAE	2-3/4 in	4 in	1.531 in	1.562 in	1.312 in	13.06 in	6.870 lb
82331	SAE	2-15/16 in	4.187 in	1.531 in	1.562 in	1.312 in	13.44 in	7.910 lb
82332	SAE	3-1/8 in	4.281 in	1.625 in	1.75 in	1.5 in	13.81 in	9.530 lb
82333	SAE	3-1/2 in	4.781 in	1.718 in	1.875 in	1.625 in	14.12 in	10.300 lb
82334	SAE	3-7/8 in	5.34 in	1.718 in	2.062 in	1.75 in	14.5 in	13.100 lb

### 12 Point Straight Slugging Wrenches

- Perfect when the extreme force or torque of a sledge is necessary to loosen or tighten large fasteners
- Large striking surface gives you more efficient hammer contact for applying force to the fastener
- Handle length permits use in confined areas
- Designed to remain engaged with the fastener when the wrench is struck
- Straight rectangular design withstands heavy sledging, resists springing, and transmits force more effectively to the fastener
- Manufactured from alloy steel and heat-treated for greater strength and durability
- Meets or exceeds US Federal Spec. GGG-W-636E
- Made in the USA



Cat. No.	SAE/Metric	Fastener Size	End A Width	End A Thickness	End B Width	End B Thickness	Overall Length	Product Weight
82368	SAE	1-1/4 in	2 in	.781 in	1 in	.812 in	10.25 in	1.750 lb
82369	SAE	1-5/16 in	2 in	.781 in	1 in	.812 in	10.25 in	1.750 lb
82370	SAE	1-3/8 in	2.281 in	.875 in	1.125 in	.968 in	10.56 in	2.580 lb
82371	SAE	1-7/16 in	2.281 in	.875 in	1.125 in	.968 in	10.56 in	2.480 lb
82372	SAE	1-1/2 in	2.281 in	.875 in	1.125 in	.968 in	10.56 in	2.450 lb
82373	SAE	1-5/8 in	2.5 in	.968 in	1.218 in	1.031 in	11 in	2.970 lb
82374	SAE	1-11/16 in	2.468 in	.968 in	1.218 in	1.031 in	11 in	2.920 lb
82375	SAE	1-3/4 in	2.656 in	1 in	1.25 in	1.093 in	11.31 in	3.440 lb
82376	SAE	1-13/16 in	2.656 in	1 in	1.25 in	1.093 in	11.31 in	3.330 lb
82377	SAE	1-7/8 in	2.656 in	1 in	1.25 in	1.093 in	11.31 in	3.290 lb
82378	SAE	2 in	3.031 in	1.218 in	1.5 in	1.218 in	11.69 in	4.600 lb
82379	SAE	2-1/16 in	3.031 in	1.218 in	1.5 in	1.218 in	11.69 in	4.460 lb
82380	SAE	2-1/8 in	3.281 in	1.25 in	1.625 in	1.25 in	12 in	5.230 lb
82381	SAE	2-3/16 in	3.281 in	1.25 in	1.625 in	1.25 in	12 in	5.140 lb
82382	SAE	2-1/4 in	3.406 in	1.437 in	1.5 in	1.25 in	12.38 in	6.000 lb
82383	SAE	2-3/8 in	3.406 in	1.437 in	1.5 in	1.25 in	12.38 in	5.330 lb
82384	SAE	2-7/16 in	3.75 in	1.531 in	1.5 in	1.312 in	12.69 in	6.000 lb
82385	SAE	2-1/2 in	3.75 in	1.531 in	1.5 in	1.312 in	12.69 in	6.600 lb
82386	SAE	2-9/16 in	3.75 in	1.531 in	1.5 in	1.312 in	12.69 in	6.210 lb
82387	SAE	2-5/8 in	3.75 in	1.531 in	1.5 in	1.312 in	12.69 in	6.150 lb
82388	SAE	2-3/4 in	4.187 in	1.531 in	1.562 in	1.312 in	13.06 in	6.840 lb
82389	SAE	2-13/16 in	4.375 in	1.531 in	1.562 in	1.312 in	13.44 in	7.500 lb
82390	SAE	2-15/16 in	4.375 in	1.531 in	1.562 in	1.312 in	13.44 in	7.490 lb
82391	SAE	3 in	4.5 in	1.625 in	1.75 in	1.5 in	13.81 in	9.400 lb
82392	SAE	3-1/8 in	4.5 in	1.625 in	1.75 in	1.5 in	13.81 in	9.680 lb
82393	SAE	3-3/8 in	4.968 in	1.718 in	1.875 in	1.625 in	14.12 in	14.120 lb
82394	SAE	3-1/2 in	4.968 in	1.718 in	1.875 in	1.625 in	14.12 in	10.360 lb
82395	SAE	3-3/4 in	5.562 in	1.718 in	2.062 in	1.75 in	14.5 in	12.950 lb
82396	SAE	3-7/8 in	5.562 in	1.718 in	2.062 in	1.75 in	14.5 in	13.120 lb
82397	SAE	4-1/8 in	6.75 in	2.875 in	3.156 in	1.875 in	16.21 in	31.270 lb
82398	SAE	4-1/4 in	6.75 in	2.875 in	3.156 in	1.875 in	16.21 in	30.750 lb
82399	SAE	4-1/2 in	7.25 in	3 in	3.156 in	1.875 in	18.21 in	36.650 lb
82400	SAE	4-5/8 in	7.25 in	3 in	3.156 in	1.875 in	18.21 in	36.160 lb

**12 Point 45° Offset Striking Wrenches**

- Perfect when the extreme force or torque of a sledge is necessary to loosen or tighten large fasteners
- Large striking surface gives you more efficient hammer contact for applying force to the fastener
- Handle length permits use in confined areas
- Designed to remain engaged with the fastener when the wrench is struck
- Offset, round handle design to avoid obstructions
- Manufactured from alloy steel and heat-treated for greater strength and durability
- Meets or exceeds US Federal Spec. GGG-W-636E
- Made in the USA



WRENCHES

Cat. No.	SAE/Metric	Fastener Size	End A Width	End A Thickness	End B Width	End B Thickness	Overall Length	Product Weight
82340	SAE	1-1/16 in	1.781 in	.625 in	.812 in	2.5 in	10.09 in	1.830 lb
82341	SAE	1-1/8 in	1.781 in	.625 in	.812 in	2.5 in	10.09 in	1.770 lb
82342	SAE	1-3/16 in	2 in	.718 in	.812 in	2.5 in	11.1 in	2.670 lb
82343	SAE	1-1/4 in	2 in	.718 in	.812 in	2.5 in	11.1 in	2.580 lb
82344	SAE	1-5/16 in	2 in	.718 in	.812 in	2.5 in	11.1 in	2.530 lb
82345	SAE	1-3/8 in	2.25 in	.875 in	.968 in	2.625 in	11.6 in	3.420 lb
82346	SAE	1-7/16 in	2.25 in	.875 in	.968 in	2.625 in	11.6 in	3.800 lb
82347	SAE	1-1/2 in	2.25 in	.875 in	.968 in	2.625 in	11.6 in	3.240 lb
82348	SAE	1-5/8 in	2.5 in	.968 in	1.031 in	2.875 in	12.12 in	3.880 lb
82349	SAE	1-11/16 in	2.468 in	.968 in	1.031 in	2.875 in	12.12 in	3.980 lb
82350	SAE	1-3/4 in	2.656 in	1 in	1.093 in	2.875 in	12.12 in	3.800 lb
82351	SAE	1-13/16 in	2.656 in	1 in	1.093 in	2.875 in	13.23 in	5.250 lb
82352	SAE	1-7/8 in	2.656 in	1 in	1.093 in	2.875 in	13.23 in	5.220 lb
82353	SAE	1-15/16 in	3.031 in	1.218 in	1.218 in	2.875 in	13.23 in	5.150 lb
82354	SAE	2 in	3.031 in	1.218 in	1.218 in	2.875 in	13.23 in	5.100 lb
82355	SAE	2-1/8 in	3.281 in	1.25 in	1.25 in	3 in	13.72 in	7.290 lb
82356	SAE	2-3/16 in	3.281 in	1.25 in	1.25 in	3 in	13.72 in	6.750 lb
82357	SAE	2-1/4 in	3.406 in	1.437 in	1.25 in	3 in	13.72 in	6.630 lb
82358	SAE	2-5/16 in	3.406 in	1.437 in	1.25 in	3 in	14.19 in	7.800 lb
82359	SAE	2-3/8 in	3.375 in	1.531 in	1.312 in	3 in	14.19 in	7.850 lb
82360	SAE	2-1/2 in	3.375 in	1.531 in	1.312 in	3 in	14.19 in	7.540 lb
82361	SAE	2-9/16 in	3.375 in	1.531 in	1.312 in	3 in	18 in	10.680 lb
82362	SAE	2-5/8 in	3.375 in	1.531 in	1.312 in	3 in	18 in	10.460 lb
82363	SAE	2-3/4 in	4.187 in	1.531 in	1.312 in	3 in	18 in	10.130 lb
82364	SAE	2-7/8 in	4.375 in	1.531 in	1.312 in	3 in	18 in	13.970 lb
82365	SAE	2-15/16 in	4.375 in	1.531 in	1.312 in	3 in	18 in	13.770 lb
82366	SAE	3 in	4.5 in	1.625 in	1.5 in	3 in	18 in	14.440 lb
82367	SAE	3-1/8 in	4.5 in	1.625 in	1.5 in	3 in	18 in	13.040 lb

RATCHETS, SOCKETS, AND DRIVE TOOLS

WRENCHES

IMPACT

TORQUE WRENCHES

SCREWDRIVERS & NUTDRIVERS

PLIERS

CUTTING AND FILING

STRIKING AND STRUCK

PRY BARS

LIGHTING

AUTOMOTIVE SPECIALTY

TOOL STORAGE

MASTER SETS



### 28 Pc. 1/4" and 3/8" Drive Bolt Biter™ Extraction Socket Set

- Bi-directional design for removing or tightening damaged fasteners
- Tapered entry enables socket to easily seat on a damaged fastener
- Dual sized sockets designed to work with both SAE and metric fasteners
- Square drive with hex base for use with impact gun, ratchet, wrench, or pliers
- Chrome molybdenum alloy steel (Cr-Mo) for exceptional strength and long lasting durability
- High-visibility laser etched markings provide quick size identification
- Black oxide finish to resist corrosion
- Up to 10x longer impact life vs. other impact extraction sockets
- Up to 5x greater torque output vs. other impact extraction sockets
- Minus-size sockets fit a wider range of damaged fasteners



Cat. No.	Included Storage	Product Weight
84784	Socket Rail	1.650 lb



Cat. No.	Description	Cat. No.	Description
84750	1/4" Drive Bolt Biter™ Impact Extraction Socket 1/4-"	84764	3/8" Drive Bolt Biter™ Impact Extraction Socket 1/2-"
84751	1/4" Drive Bolt Biter™ Impact Extraction Socket 1/4"	84765	3/8" Drive Bolt Biter™ Impact Extraction Socket 13- mm [1/2"]
84752	1/4" Drive Bolt Biter™ Impact Extraction Socket 7- mm	84766	3/8" Drive Bolt Biter™ Impact Extraction Socket 13mm
84753	1/4" Drive Bolt Biter™ Impact Extraction Socket 7mm	84767	3/8" Drive Bolt Biter™ Impact Extraction Socket 14- mm
84754	1/4" Drive Bolt Biter™ Impact Extraction Socket 8- mm [5/16-"]	84768	3/8" Drive Bolt Biter™ Impact Extraction Socket 14mm [9/16-"]
84755	1/4" Drive Bolt Biter™ Impact Extraction Socket 8mm [5/16"]	84769	3/8" Drive Bolt Biter™ Impact Extraction Socket 9/16"
84756	3/8" Drive Bolt Biter™ Impact Extraction Socket 3/8-"	84770	3/8" Drive Bolt Biter™ Impact Extraction Socket 16- mm [5/8-"]
84757	3/8" Drive Bolt Biter™ Impact Extraction Socket 3/8"	84771	3/8" Drive Bolt Biter™ Impact Extraction Socket 16mm [5/8"]
84758	3/8" Drive Bolt Biter™ Impact Extraction Socket 10- mm	84772	3/8" Drive Bolt Biter™ Impact Extraction Socket 17- mm
84759	3/8" Drive Bolt Biter™ Impact Extraction Socket 10mm	84773	3/8" Drive Bolt Biter™ Impact Extraction Socket 17mm
84760	3/8" Drive Bolt Biter™ Impact Extraction Socket 11- mm [7/16-"]	84774	3/8" Drive Bolt Biter™ Impact Extraction Socket 11/16-"
84761	3/8" Drive Bolt Biter™ Impact Extraction Socket 11mm [7/16"]	84775	3/8" Drive Bolt Biter™ Impact Extraction Socket 11/16"
84762	3/8" Drive Bolt Biter™ Impact Extraction Socket 12- mm	84776	3/8" Drive Bolt Biter™ Impact Extraction Socket 19- mm [3/4-"]
84763	3/8" Drive Bolt Biter™ Impact Extraction Socket 12mm	84777	3/8" Drive Bolt Biter™ Impact Extraction Socket 19mm [3/4"]

### 15 Pc. 1/4" and 3/8" Drive Bolt Biter™ Extraction Socket Set

- Bi-directional design for removing or tightening damaged fasteners
- Tapered entry enables socket to easily seat on a damaged fastener
- Dual sized sockets designed to work with both SAE and metric fastener
- Square drive with hex base for use with impact gun, ratchet, wrench, or pliers
- Chrome molybdenum alloy steel (Cr-Mo) for exceptional strength and long lasting durability
- High-visibility laser etched markings provide quick size identification
- Black oxide finish to resist corrosion
- Up to 10x longer impact life vs. other impact extraction sockets
- Up to 5x greater torque output vs. other impact extraction sockets
- Minus-size sockets fit a wider range of damaged fasteners



Cat. No.	Included Storage	Product Weight
84783	Blow Mold Case	2.500 lb



Cat. No.	Description	Cat. No.	Description
84751	1/4" Drive Bolt Biter™ Impact Extraction Socket 1/4"	84766	3/8" Drive Bolt Biter™ Impact Extraction Socket 13mm
84753	1/4" Drive Bolt Biter™ Impact Extraction Socket 7mm	84768	3/8" Drive Bolt Biter™ Impact Extraction Socket 14mm [9/16-"]
84755	1/4" Drive Bolt Biter™ Impact Extraction Socket 8mm [5/16"]	84769	3/8" Drive Bolt Biter™ Impact Extraction Socket 9/16"
84757	3/8" Drive Bolt Biter™ Impact Extraction Socket 3/8"	84771	3/8" Drive Bolt Biter™ Impact Extraction Socket 16mm [5/8"]
84759	3/8" Drive Bolt Biter™ Impact Extraction Socket 10mm	84773	3/8" Drive Bolt Biter™ Impact Extraction Socket 17mm
84761	3/8" Drive Bolt Biter™ Impact Extraction Socket 11mm [7/16"]	84775	3/8" Drive Bolt Biter™ Impact Extraction Socket 11/16"
84763	3/8" Drive Bolt Biter™ Impact Extraction Socket 12mm	84777	3/8" Drive Bolt Biter™ Impact Extraction Socket 19mm [3/4"]
84765	3/8" Drive Bolt Biter™ Impact Extraction Socket 13- mm [1/2"]		

### 8 Pc. 1/4" and 3/8" Drive Bolt Biter™ Extraction Socket Set

- Bi-directional design for removing or tightening damaged fasteners
- Tapered entry enables socket to easily seat on a damaged fastener
- Dual sized sockets designed to work with both SAE and metric fasteners
- Square drive with hex base for use with impact gun, ratchet, wrench, or pliers
- Chrome molybdenum alloy steel (Cr-Mo) for exceptional strength and long lasting durability
- High-visibility laser etched markings provide quick size identification
- Black oxide finish to resist corrosion
- Up to 10x longer rmpact life vs. other impact extraction sockets
- Up to 5x greater torque output vs. other impact extraction sockets
- Minus-size sockets fit a wider range of damaged fasteners



Cat. No.	Included Storage	Product Weight
84782	Socket Rail	1.250 lb



Cat. No.	Description	Cat. No.	Description
84753	1/4" Drive Bolt Biter™ Impact Extraction Socket 7mm	84763	3/8" Drive Bolt Biter™ Impact Extraction Socket 12mm
84755	1/4" Drive Bolt Biter™ Impact Extraction Socket 8mm [5/16"]	84766	3/8" Drive Bolt Biter™ Impact Extraction Socket 13mm
84759	3/8" Drive Bolt Biter™ Impact Extraction Socket 10mm	84768	3/8" Drive Bolt Biter™ Impact Extraction Socket 14mm [9/16-"]
84761	3/8" Drive Bolt Biter™ Impact Extraction Socket 11mm [7/16"]	84771	3/8" Drive Bolt Biter™ Impact Extraction Socket 16mm [5/8"]

### 1/4" Drive Bolt Biter™ Extraction Sockets

- Bi-directional design for removing or tightening damaged fasteners
- Tapered entry enables socket to easily seat on a damaged fastener
- Dual sized sockets designed to work with both SAE and metric fasteners
- Square drive with hex base for use with impact gun, ratchet, wrench, or pliers
- Chrome molybdenum alloy steel (Cr-Mo) for exceptional strength and long lasting durability
- High-visibility laser etched markings provide quick size identification
- Black oxide finish to resist corrosion
- Up to 10x longer rmpact life vs. other impact extraction sockets
- Up to 5x greater torque output vs. other impact extraction sockets
- Minus-size sockets fit a wider range of damaged fasteners



Cat. No.	Fastener Size	Dim. A: Drive End	Dim. C: Overall Length	Dim. E: Length to Shoulder	Product Weight
84750	1/4- in	.427 in	1.377 in	.944 in	0.070 lb
84751	1/4 in	.427 in	1.377 in	.944 in	0.070 lb
84752	7- mm	.456 in	1.377 in	.944 in	0.070 lb
84753	7 mm	.456 in	1.377 in	.944 in	0.070 lb
84754	8- mm, 5/16- in	.5 in	1.377 in	.944 in	0.080 lb
84755	8 mm, 5/16 in	.5 in	1.377 in	.944 in	0.110 lb

### 3/8" Bolt Biter™ Extraction Sockets

- Bi-directional design for removing or tightening damaged fasteners
- Tapered entry enables socket to easily seat on a damaged fastener
- Dual sized sockets designed to work with both SAE and metric fasteners
- Square drive with hex base for use with impact gun, ratchet, wrench, or pliers
- Chrome molybdenum alloy steel (Cr-Mo) for exceptional strength and long lasting durability
- High-visibility laser etched markings provide quick size identification
- Black oxide finish to resist corrosion
- Up to 10x longer rmpact life vs. other impact extraction sockets
- Up to 5x greater torque output vs. other impact extraction sockets
- Minus-size sockets fit a wider range of damaged fasteners



Cat. No.	Fastener Size	Dim. A: Drive End	Dim. C: Overall Length	Dim. E: Length to Shoulder	Product Weight
84756	3/8- in	.629 in	1.377 in	.944 in	0.110 lb
84757	3/8 in	.629 in	1.377 in	.944 in	0.110 lb
84758	10- mm	.629 in	1.377 in	.944 in	0.110 lb
84759	10 mm	.629 in	1.377 in	.944 in	0.110 lb
84760	11- mm, 7/16- in	.696 in	1.377 in	.944 in	0.110 lb
84761	11 mm, 7/16 in	.696 in	1.377 in	.944 in	0.130 lb
84762	12- mm	.763 in	1.377 in	.944 in	0.130 lb
84763	12 mm	.763 in	1.377 in	.944 in	0.130 lb
84764	1/2- in	.799 in	1.377 in	.944 in	0.130 lb
84765	13- mm, 1/2 in	.799 in	1.377 in	.944 in	0.130 lb
84766	13 mm	.799 in	1.377 in	.944 in	0.150 lb
84767	14- mm	.862 in	1.377 in	.944 in	0.150 lb
84768	14 mm, 9/16- in	.862 in	1.377 in	.944 in	0.150 lb
84769	9/16 in	.862 in	1.377 in	.944 in	0.150 lb
84770	16- mm, 5/8- in	.94 in	1.377 in	.944 in	0.170 lb
84771	16 mm, 5/8 in	.94 in	1.377 in	.944 in	0.170 lb
84772	17- mm	1.019 in	1.377 in	.944 in	0.180 lb
84773	17 mm	1.019 in	1.377 in	.944 in	0.180 lb
84774	11/16- in	1.019 in	1.377 in	.944 in	0.190 lb
84775	11/16 in	1.019 in	1.377 in	.944 in	0.190 lb
84776	19- mm, 3/4- in	1.102 in	1.377 in	.944 in	0.210 lb
84777	19 mm, 3/4 in	1.102 in	1.377 in	.944 in	0.210 lb



### 3 Pc. X-Core™ Pinless Impact Universal Joint Set

- X-Core™ pinless joint design is 4x more durable than pinned products for increased strength
- Ball detent for secure socket retention
- 30° maximum operating flex angle
- Smooth 360° rotation for easier access
- Chrome molybdenum alloy steel (Cr-Mo) for exceptional strength and durability
- Black oxide finish for corrosion resistance
- High-visibility laser etched markings provide quick size identification
- Meets or exceeds ASME specifications
- Includes tray for storage and organization



Cat. No.	Included Storage	Product Weight
84960	Tray	.70 lb

Cat. No.	Description
84180	1/4" Drive X-Core™ Impact Universal Joint
84440	3/8" Drive X-Core™ Impact Universal Joint
84715	1/2" Drive X-Core™ Impact Universal Joint

### 71 Pc. 1/4" Drive 6 Point SAE/Metric Standard, Deep & Universal Impact Socket Set

- Chrome molybdenum alloy steel (Cr-Mo) for exceptional strength and durability
- Off-corner loading design reduces fastener rounding
- Manganese phosphate finish to resist corrosion
- High-visibility laser-etched markings provide quick size identification
- Secondary hard stamped size markings
- Meets or exceeds ASME specifications
- Includes blow mold case for storage and organization



Cat. No.	Included Storage	Product Weight
84903	Blow Mold Case	8.50 lb



Cat. No.	Description	Cat. No.	Description
84172	1/4" Drive Impact Extension 2"	84105D	1/4" Drive 6 Point Standard Impact SAE Socket 11/32"
84173	1/4" Drive Impact Extension 4"	84106	1/4" Drive 6 Point Standard Impact SAE Socket 3/8"
84174	1/4" Drive Impact Extension 6"	84107	1/4" Drive 6 Point Standard Impact SAE Socket 7/16"
84176	1/4" F x 3/8" M Impact Adapter	84108	1/4" Drive 6 Point Standard Impact SAE Socket 1/2"
80101	1/4" Drive Impact Universal Joint	84109	1/4" Drive 6 Point Standard Impact SAE Socket 9/16"
84100	1/4" Drive 6 Point Standard Impact SAE Socket 3/16"	84111	1/4" Drive 6 Point Standard Impact Metric Socket 4mm
84101	1/4" Drive 6 Point Standard Impact SAE Socket 7/32"	84112	1/4" Drive 6 Point Standard Impact Metric Socket 4.5mm
84102	1/4" Drive 6 Point Standard Impact SAE Socket 1/4"	84113	1/4" Drive 6 Point Standard Impact Metric Socket 5mm
84103	1/4" Drive 6 Point Standard Impact SAE Socket 9/32"	84114	1/4" Drive 6 Point Standard Impact Metric Socket 5.5mm
84104	1/4" Drive 6 Point Standard Impact SAE Socket 5/16"	84115	1/4" Drive 6 Point Standard Impact Metric Socket 6mm

Cat. No.	Description	Cat. No.	Description
84116	1/4" Drive 6 Point Standard Impact Metric Socket 7mm	84144	1/4" Drive 6 Point Deep Impact Metric Socket 9mm
84117	1/4" Drive 6 Point Standard Impact Metric Socket 8mm	84145	1/4" Drive 6 Point Deep Impact Metric Socket 10mm
84118	1/4" Drive 6 Point Standard Impact Metric Socket 9mm	84146	1/4" Drive 6 Point Deep Impact Metric Socket 11mm
84119	1/4" Drive 6 Point Standard Impact Metric Socket 10mm	84147	1/4" Drive 6 Point Deep Impact Metric Socket 12mm
84120	1/4" Drive 6 Point Standard Impact Metric Socket 11mm	84148	1/4" Drive 6 Point Deep Impact Metric Socket 13mm
84121	1/4" Drive 6 Point Standard Impact Metric Socket 12mm	84149	1/4" Drive 6 Point Deep Impact Metric Socket 14mm
84122	1/4" Drive 6 Point Standard Impact Metric Socket 13mm	84150D	1/4" Drive 6 Point Deep Impact Metric Socket 15mm
84123	1/4" Drive 6 Point Standard Impact Metric Socket 14mm	84152	1/4" Drive 6 Point Standard Universal Impact SAE Socket 1/4"
84124	1/4" Drive 6 Point Standard Impact Metric Socket 15mm	84153	1/4" Drive 6 Point Standard Universal Impact SAE Socket 5/16"
84126	1/4" Drive 6 Point Deep Impact SAE Socket 3/16"	84154	1/4" Drive 6 Point Standard Universal Impact SAE Socket 3/8"
84127	1/4" Drive 6 Point Deep Impact SAE Socket 7/32"	84155	1/4" Drive 6 Point Standard Universal Impact SAE Socket 7/16"
84128	1/4" Drive 6 Point Deep Impact SAE Socket 1/4"	84156	1/4" Drive 6 Point Standard Universal Impact SAE Socket 1/2"
84129	1/4" Drive 6 Point Deep Impact SAE Socket 9/32"	84157	1/4" Drive 6 Point Standard Universal Impact SAE Socket 9/16"
84130	1/4" Drive 6 Point Deep Impact SAE Socket 5/16"	84159	1/4" Drive 6 Point Standard Universal Impact Metric Socket 5mm
84131	1/4" Drive 6 Point Deep Impact SAE Socket 11/32"	84160	1/4" Drive 6 Point Standard Universal Impact Metric Socket 5.5mm
84132	1/4" Drive 6 Point Deep Impact SAE Socket 3/8"	84161	1/4" Drive 6 Point Standard Universal Impact Metric Socket 6mm
84133	1/4" Drive 6 Point Deep Impact SAE Socket 7/16"	84162	1/4" Drive 6 Point Standard Universal Impact Metric Socket 7mm
84134	1/4" Drive 6 Point Deep Impact SAE Socket 1/2"	84163	1/4" Drive 6 Point Standard Universal Impact Metric Socket 8mm
84135	1/4" Drive 6 Point Deep Impact SAE Socket 9/16"	84164	1/4" Drive 6 Point Standard Universal Impact Metric Socket 9mm
84137	1/4" Drive 6 Point Deep Impact Metric Socket 4mm	84165	1/4" Drive 6 Point Standard Universal Impact Metric Socket 10mm
84138	1/4" Drive 6 Point Deep Impact Metric Socket 4.5mm	84166	1/4" Drive 6 Point Standard Universal Impact Metric Socket 11mm
84139	1/4" Drive 6 Point Deep Impact Metric Socket 5mm	84167	1/4" Drive 6 Point Standard Universal Impact Metric Socket 12mm
84140	1/4" Drive 6 Point Deep Impact Metric Socket 5.5mm	84168	1/4" Drive 6 Point Standard Universal Impact Metric Socket 13mm
84141	1/4" Drive 6 Point Deep Impact Metric Socket 6mm	84169	1/4" Drive 6 Point Standard Universal Impact Metric Socket 14mm
84142	1/4" Drive 6 Point Deep Impact Metric Socket 7mm	84170	1/4" Drive 6 Point Standard Universal Impact Metric Socket 15mm
84143	1/4" Drive 6 Point Deep Impact Metric Socket 8mm		

### 48 Pc. 1/4" Drive 6 Point SAE/Metric Standard & Deep Impact Socket Set

- Chrome molybdenum alloy steel (Cr-Mo) for exceptional strength and durability
- Off-corner loading design reduces fastener rounding
- Manganese phosphate finish to resist corrosion
- High-visibility laser-etched markings provide quick size identification
- Secondary hard stamped size markings
- Meets or exceeds ASME specifications
- Includes blow mold case for storage and organization



Cat. No.	Included Storage	Product Weight
84902	Blow Mold Case	2.63 lb



Cat. No.	Description	Cat. No.	Description
84100	1/4" Drive 6 Point Standard Impact SAE Socket 3/16"	84115	1/4" Drive 6 Point Standard Impact Metric Socket 6mm
84101	1/4" Drive 6 Point Standard Impact SAE Socket 7/32"	84116	1/4" Drive 6 Point Standard Impact Metric Socket 7mm
84102	1/4" Drive 6 Point Standard Impact SAE Socket 1/4"	84117	1/4" Drive 6 Point Standard Impact Metric Socket 8mm
84103	1/4" Drive 6 Point Standard Impact SAE Socket 9/32"	84118	1/4" Drive 6 Point Standard Impact Metric Socket 9mm
84104	1/4" Drive 6 Point Standard Impact SAE Socket 5/16"	84119	1/4" Drive 6 Point Standard Impact Metric Socket 10mm
84105D	1/4" Drive 6 Point Standard Impact SAE Socket 11/32"	84120	1/4" Drive 6 Point Standard Impact Metric Socket 11mm
84106	1/4" Drive 6 Point Standard Impact SAE Socket 3/8"	84121	1/4" Drive 6 Point Standard Impact Metric Socket 12mm
84107	1/4" Drive 6 Point Standard Impact SAE Socket 7/16"	84122	1/4" Drive 6 Point Standard Impact Metric Socket 13mm
84108	1/4" Drive 6 Point Standard Impact SAE Socket 1/2"	84123	1/4" Drive 6 Point Standard Impact Metric Socket 14mm
84109	1/4" Drive 6 Point Standard Impact SAE Socket 9/16"	84124	1/4" Drive 6 Point Standard Impact Metric Socket 15mm
84126	1/4" Drive 6 Point Deep Impact SAE Socket 3/16"	84137	1/4" Drive 6 Point Deep Impact Metric Socket 4mm
84127	1/4" Drive 6 Point Deep Impact SAE Socket 7/32"	84138	1/4" Drive 6 Point Deep Impact Metric Socket 4.5mm
84128	1/4" Drive 6 Point Deep Impact SAE Socket 1/4"	84139	1/4" Drive 6 Point Deep Impact Metric Socket 5mm
84129	1/4" Drive 6 Point Deep Impact SAE Socket 9/32"	84140	1/4" Drive 6 Point Deep Impact Metric Socket 5.5mm
84130	1/4" Drive 6 Point Deep Impact SAE Socket 5/16"	84141	1/4" Drive 6 Point Deep Impact Metric Socket 6mm
84131	1/4" Drive 6 Point Deep Impact SAE Socket 11/32"	84142	1/4" Drive 6 Point Deep Impact Metric Socket 7mm
84132	1/4" Drive 6 Point Deep Impact SAE Socket 3/8"	84143	1/4" Drive 6 Point Deep Impact Metric Socket 8mm
84133	1/4" Drive 6 Point Deep Impact SAE Socket 7/16"	84144	1/4" Drive 6 Point Deep Impact Metric Socket 9mm
84134	1/4" Drive 6 Point Deep Impact SAE Socket 1/2"	84145	1/4" Drive 6 Point Deep Impact Metric Socket 10mm
84135	1/4" Drive 6 Point Deep Impact SAE Socket 9/16"	84146	1/4" Drive 6 Point Deep Impact Metric Socket 11mm
84111	1/4" Drive 6 Point Standard Impact Metric Socket 4mm	84147	1/4" Drive 6 Point Deep Impact Metric Socket 12mm
84112	1/4" Drive 6 Point Standard Impact Metric Socket 4.5mm	84148	1/4" Drive 6 Point Deep Impact Metric Socket 13mm
84113	1/4" Drive 6 Point Standard Impact Metric Socket 5mm	84149	1/4" Drive 6 Point Deep Impact Metric Socket 14mm
84114	1/4" Drive 6 Point Standard Impact Metric Socket 5.5mm	84150D	1/4" Drive 6 Point Deep Impact Metric Socket 15mm

### 20 Pc. 1/4" Drive 6 Point SAE Standard & Deep Impact Socket Set

- Chrome molybdenum alloy steel (Cr-Mo) for exceptional strength and durability
- Off-corner loading design reduces fastener rounding
- Manganese phosphate finish to resist corrosion
- High-visibility laser-etched markings provide quick size identification
- Secondary hard stamped size markings
- Meets or exceeds ASME specifications
- Includes blow mold case for storage and organization



Cat. No.	Included Storage	Product Weight
84900	Blow Mold Case	2.25 lb



Cat. No.	Description	Cat. No.	Description
84100	1/4" Drive 6 Point Standard Impact SAE Socket 3/16"	84126	1/4" Drive 6 Point Deep Impact SAE Socket 3/16"
84101	1/4" Drive 6 Point Standard Impact SAE Socket 7/32"	84127	1/4" Drive 6 Point Deep Impact SAE Socket 7/32"
84102	1/4" Drive 6 Point Standard Impact SAE Socket 1/4"	84128	1/4" Drive 6 Point Deep Impact SAE Socket 1/4"
84103	1/4" Drive 6 Point Standard Impact SAE Socket 9/32"	84129	1/4" Drive 6 Point Deep Impact SAE Socket 9/32"
84104	1/4" Drive 6 Point Standard Impact SAE Socket 5/16"	84130	1/4" Drive 6 Point Deep Impact SAE Socket 5/16"
84105D	1/4" Drive 6 Point Standard Impact SAE Socket 11/32"	84131	1/4" Drive 6 Point Deep Impact SAE Socket 11/32"
84106	1/4" Drive 6 Point Standard Impact SAE Socket 3/8"	84132	1/4" Drive 6 Point Deep Impact SAE Socket 3/8"
84107	1/4" Drive 6 Point Standard Impact SAE Socket 7/16"	84133	1/4" Drive 6 Point Deep Impact SAE Socket 7/16"
84108	1/4" Drive 6 Point Standard Impact SAE Socket 1/2"	84134	1/4" Drive 6 Point Deep Impact SAE Socket 1/2"
84109	1/4" Drive 6 Point Standard Impact SAE Socket 9/16"	84135	1/4" Drive 6 Point Deep Impact SAE Socket 9/16"

### 28 Pc. 1/4" Drive 6 Point Metric Standard & Deep Impact Socket Set

- Chrome molybdenum alloy steel (Cr-Mo) for exceptional strength and durability
- Off-corner loading design reduces fastener rounding
- Manganese phosphate finish to resist corrosion
- High-visibility laser-etched markings provide quick size identification
- Secondary hard stamped size markings
- Meets or exceeds ASME specifications
- Includes blow mold case for storage and organization



Cat. No.	Included Storage	Product Weight
84901	Blow Mold Case	2.88 lb



Cat. No.	Description	Cat. No.	Description
84111	1/4" Drive 6 Point Standard Impact Metric Socket 4mm	84137	1/4" Drive 6 Point Deep Impact Metric Socket 4mm
84112	1/4" Drive 6 Point Standard Impact Metric Socket 4.5mm	84138	1/4" Drive 6 Point Deep Impact Metric Socket 4.5mm
84113	1/4" Drive 6 Point Standard Impact Metric Socket 5mm	84139	1/4" Drive 6 Point Deep Impact Metric Socket 5mm
84114	1/4" Drive 6 Point Standard Impact Metric Socket 5.5mm	84140	1/4" Drive 6 Point Deep Impact Metric Socket 5.5mm
84115	1/4" Drive 6 Point Standard Impact Metric Socket 6mm	84141	1/4" Drive 6 Point Deep Impact Metric Socket 6mm
84116	1/4" Drive 6 Point Standard Impact Metric Socket 7mm	84142	1/4" Drive 6 Point Deep Impact Metric Socket 7mm
84117	1/4" Drive 6 Point Standard Impact Metric Socket 8mm	84143	1/4" Drive 6 Point Deep Impact Metric Socket 8mm
84118	1/4" Drive 6 Point Standard Impact Metric Socket 9mm	84144	1/4" Drive 6 Point Deep Impact Metric Socket 9mm
84119	1/4" Drive 6 Point Standard Impact Metric Socket 10mm	84145	1/4" Drive 6 Point Deep Impact Metric Socket 10mm
84120	1/4" Drive 6 Point Standard Impact Metric Socket 11mm	84146	1/4" Drive 6 Point Deep Impact Metric Socket 11mm
84121	1/4" Drive 6 Point Standard Impact Metric Socket 12mm	84147	1/4" Drive 6 Point Deep Impact Metric Socket 12mm
84122	1/4" Drive 6 Point Standard Impact Metric Socket 13mm	84148	1/4" Drive 6 Point Deep Impact Metric Socket 13mm
84123	1/4" Drive 6 Point Standard Impact Metric Socket 14mm	84149	1/4" Drive 6 Point Deep Impact Metric Socket 14mm
84124	1/4" Drive 6 Point Standard Impact Metric Socket 15mm	84150D	1/4" Drive 6 Point Deep Impact Metric Socket 15mm

### 10 Pc. 1/4" Drive 6 Point SAE Impact Socket Set

- Chrome molybdenum alloy steel (Cr-Mo) for exceptional strength and durability
- Off-corner loading design reduces fastener rounding
- Manganese phosphate finish to resist corrosion
- High-visibility laser-etched markings provide quick size identification
- Secondary hard stamped size markings
- Meets or exceeds ASME specifications
- Includes socket rail for storage and organization



Cat. No.	Included Storage	Product Weight
84906	Socket Rail	1.80 lb



Cat. No.	Description	Cat. No.	Description
84100	1/4" Drive 6 Point Standard Impact SAE Socket 3/16"	84105D	1/4" Drive 6 Point Standard Impact SAE Socket 11/32"
84101	1/4" Drive 6 Point Standard Impact SAE Socket 7/32"	84106	1/4" Drive 6 Point Standard Impact SAE Socket 3/8"
84102	1/4" Drive 6 Point Standard Impact SAE Socket 1/4"	84107	1/4" Drive 6 Point Standard Impact SAE Socket 7/16"
84103	1/4" Drive 6 Point Standard Impact SAE Socket 9/32"	84108	1/4" Drive 6 Point Standard Impact SAE Socket 1/2"
84104	1/4" Drive 6 Point Standard Impact SAE Socket 5/16"	84109	1/4" Drive 6 Point Standard Impact SAE Socket 9/16"

### 14 Pc. 1/4" Drive 6 Point Metric Impact Socket Set

- Chrome molybdenum alloy steel (Cr-Mo) for exceptional strength and durability
- Off-corner loading design reduces fastener rounding
- Manganese phosphate finish to resist corrosion
- High-visibility laser-etched markings provide quick size identification
- Secondary hard stamped size markings
- Meets or exceeds ASME specifications
- Includes socket rail for storage and organization



Cat. No.	Included Storage	Product Weight
84907	Socket Rail	2.30 lb



Cat. No.	Description	Cat. No.	Description
84111	1/4" Drive 6 Point Standard Impact Metric Socket 4mm	84118	1/4" Drive 6 Point Standard Impact Metric Socket 9mm
84112	1/4" Drive 6 Point Standard Impact Metric Socket 4.5mm	84119	1/4" Drive 6 Point Standard Impact Metric Socket 10mm
84113	1/4" Drive 6 Point Standard Impact Metric Socket 5mm	84120	1/4" Drive 6 Point Standard Impact Metric Socket 11mm
84114	1/4" Drive 6 Point Standard Impact Metric Socket 5.5mm	84121	1/4" Drive 6 Point Standard Impact Metric Socket 12mm
84115	1/4" Drive 6 Point Standard Impact Metric Socket 6mm	84122	1/4" Drive 6 Point Standard Impact Metric Socket 13mm
84116	1/4" Drive 6 Point Standard Impact Metric Socket 7mm	84123	1/4" Drive 6 Point Standard Impact Metric Socket 14mm
84117	1/4" Drive 6 Point Standard Impact Metric Socket 8mm	84124	1/4" Drive 6 Point Standard Impact Metric Socket 15mm

### 10 Pc. 1/4" Drive 6 Point SAE Deep Impact Socket Set

- Chrome molybdenum alloy steel (Cr-Mo) for exceptional strength and durability
- Off-corner loading design reduces fastener rounding
- Manganese phosphate finish to resist corrosion
- High-visibility laser-etched markings provide quick size identification
- Secondary hard stamped size markings
- Meets or exceeds ASME specifications
- Includes socket rail for storage and organization



Cat. No.	Included Storage	Product Weight
84908	Socket Rail	1.15 lb



Cat. No.	Description	Cat. No.	Description
84126	1/4" Drive 6 Point Deep Impact SAE Socket 3/16"	84131	1/4" Drive 6 Point Deep Impact SAE Socket 11/32"
84127	1/4" Drive 6 Point Deep Impact SAE Socket 7/32"	84132	1/4" Drive 6 Point Deep Impact SAE Socket 3/8"
84128	1/4" Drive 6 Point Deep Impact SAE Socket 1/4"	84133	1/4" Drive 6 Point Deep Impact SAE Socket 7/16"
84129	1/4" Drive 6 Point Deep Impact SAE Socket 9/32"	84134	1/4" Drive 6 Point Deep Impact SAE Socket 1/2"
84130	1/4" Drive 6 Point Deep Impact SAE Socket 5/16"	84135	1/4" Drive 6 Point Deep Impact SAE Socket 9/16"

### 14 Pc. 1/4" Drive 6 Point Metric Deep Impact Socket Set

- Chrome molybdenum alloy steel (Cr-Mo) for exceptional strength and durability
- Off-corner loading design reduces fastener rounding
- Manganese phosphate finish to resist corrosion
- High-visibility laser-etched markings provide quick size identification
- Secondary hard stamped size markings
- Meets or exceeds ASME specifications
- Includes socket rail for storage and organization



Cat. No.	Included Storage	Product Weight
84909	Socket Rail	1.58 lb



Cat. No.	Description	Cat. No.	Description
84137	1/4" Drive 6 Point Deep Impact Metric Socket 4mm	84144	1/4" Drive 6 Point Deep Impact Metric Socket 9mm
84138	1/4" Drive 6 Point Deep Impact Metric Socket 4.5mm	84145	1/4" Drive 6 Point Deep Impact Metric Socket 10mm
84139	1/4" Drive 6 Point Deep Impact Metric Socket 5mm	84146	1/4" Drive 6 Point Deep Impact Metric Socket 11mm
84140	1/4" Drive 6 Point Deep Impact Metric Socket 5.5mm	84147	1/4" Drive 6 Point Deep Impact Metric Socket 12mm
84141	1/4" Drive 6 Point Deep Impact Metric Socket 6mm	84148	1/4" Drive 6 Point Deep Impact Metric Socket 13mm
84142	1/4" Drive 6 Point Deep Impact Metric Socket 7mm	84149	1/4" Drive 6 Point Deep Impact Metric Socket 14mm
84143	1/4" Drive 6 Point Deep Impact Metric Socket 8mm	84150D	1/4" Drive 6 Point Deep Impact Metric Socket 15mm

### 6 Pc. 1/4" Drive 6 Point SAE Universal Impact Socket Set

- Flex socket design provides more access to fasteners in tight confines
- Chrome molybdenum alloy steel (Cr-Mo) for exceptional strength and durability
- Off-corner loading design for reduced fastener rounding
- Manganese phosphate finish to resist corrosion
- High-visibility laser etched markings provide quick size identification
- Meets or exceeds ASME specifications
- Includes socket rail for storage and organization



Cat. No.	Included Storage	Product Weight
84904	Socket Rail	1.10 lb



Cat. No.	Description	Cat. No.	Description
84152	1/4" Drive 6 Point Standard Universal Impact SAE Socket 1/4"	84155	1/4" Drive 6 Point Standard Universal Impact SAE Socket 7/16"
84153	1/4" Drive 6 Point Standard Universal Impact SAE Socket 5/16"	84156	1/4" Drive 6 Point Standard Universal Impact SAE Socket 1/2"
84154	1/4" Drive 6 Point Standard Universal Impact SAE Socket 3/8"	84157	1/4" Drive 6 Point Standard Universal Impact SAE Socket 9/16"

### 12 Pc. 1/4" Drive 6 Point Metric Universal Impact Socket Set

- Flex socket design provides more access to fasteners in tight confines
- Chrome molybdenum alloy steel (Cr-Mo) for exceptional strength and durability
- Off-corner loading design for reduced fastener rounding
- Manganese phosphate finish to resist corrosion
- High-visibility laser etched markings provide quick size identification
- Meets or exceeds ASME specifications
- Includes socket rail for storage and organization



Cat. No.	Included Storage	Product Weight
84905	Socket Rail	1.43 lb



Cat. No.	Description	Cat. No.	Description
84159	1/4" Drive 6 Point Standard Universal Impact Metric Socket 5mm	84165	1/4" Drive 6 Point Standard Universal Impact Metric Socket 10mm
84160	1/4" Drive 6 Point Standard Universal Impact Metric Socket 5.5mm	84166	1/4" Drive 6 Point Standard Universal Impact Metric Socket 11mm
84161	1/4" Drive 6 Point Standard Universal Impact Metric Socket 6mm	84167	1/4" Drive 6 Point Standard Universal Impact Metric Socket 12mm
84162	1/4" Drive 6 Point Standard Universal Impact Metric Socket 7mm	84168	1/4" Drive 6 Point Standard Universal Impact Metric Socket 13mm
84163	1/4" Drive 6 Point Standard Universal Impact Metric Socket 8mm	84169	1/4" Drive 6 Point Standard Universal Impact Metric Socket 14mm
84164	1/4" Drive 6 Point Standard Universal Impact Metric Socket 9mm	84170	1/4" Drive 6 Point Standard Universal Impact Metric Socket 15mm



### 1/4" Drive Impact Extensions

- Chrome molybdenum alloy steel (Cr-Mo) for exceptional strength and durability
- Pin hole can be used with pin and o-ring for secure socket retention
- Manganese phosphate finish to resist corrosion
- High-visibility laser etched markings provide quick size identification
- Meets or exceeds ASME specifications



Cat. No.	Drive Tang Size	Overall Length	Dim. A: Drive End	Product Weight
84172	1/4 in	2 in	.626 in	0.10 lb
84173	1/4 in	4 in	.626 in	0.20 lb
84174	1/4 in	6 in	.626 in	0.30 lb

### 1/4" Drive Impact Drive Adapter

- Chrome molybdenum alloy steel (Cr-Mo) for exceptional strength and durability
- Ball detent for secure socket retention
- Manganese phosphate finish to resist corrosion
- High-visibility laser-etched markings provide quick size identification
- Meets or exceeds ASME specifications



Cat. No.	Female Drive Size	Male Drive Size	Dim. C: Overall Length	Product Weight
84176	1/4"	3/8"	1 in	0.15 lb

### 1/4" Drive X-Core™ Pinless Impact Universal Joint

- X-Core™ pinless joint design is 4x more durable than pinned products for increased strength
- Ball detent for secure socket retention
- 30° maximum operating flex angle
- Smooth 360° rotation for easier access
- Chrome molybdenum alloy steel (Cr-Mo) for exceptional strength and durability
- Black oxide finish to resist corrosion
- High-visibility laser etched markings provide quick size identification
- Meets or exceeds ASME specifications



Cat. No.	Female Drive Size	Male Drive Size	Dim. C: Overall Length	Product Weight
84180	1/4"	1/4"	1.55 in	.06 lb

### 1/4" Drive Impact Universal Joint

- Chrome molybdenum alloy steel (Cr-Mo) for exceptional strength and durability
- Manganese phosphate finish to resist corrosion
- Hard stamped size markings
- Meets or exceeds ASME specifications



Cat. No.	Female Drive Size	Male Drive Size	Dim. C: Overall Length	Product Weight
80101	1/4"	1/4"	1.45 in	0.28 lb

### 1/4" Drive 6 Point Standard Length Impact Sockets

- Chrome molybdenum alloy steel (Cr-Mo) for exceptional strength and durability
- Off-corner loading design reduces fastener rounding
- Manganese phosphate finish to resist corrosion
- High-visibility laser-etched markings provide quick size identification
- Secondary hard stamped size markings
- Meets or exceeds ASME specifications



Cat. No.	SAE/Metric	Fastener Size	Dim. A: Drive End	Dim. B: Wrench End	Dim. C: Overall Length	Dim. D: Bolt Clearance	Dim. E: Wrench Depth	Dim. F: Length to Shoulder	Product Weight
84100	SAE	3/16 in	0.512 in	0.335 in	0.906 in	0.13 in	0.11 in	0.393 in	0.02 lb
84101	SAE	7/32 in	0.512 in	0.374 in	0.906 in	0.13 in	0.125 in	0.393 in	0.04 lb
84102	SAE	1/4 in	0.512 in	0.406 in	0.906 in	0.15 in	0.125 in	0.393 in	0.05 lb
84103	SAE	9/32 in	0.512 in	0.445 in	0.906 in	0.171 in	0.125 in	0.393 in	0.05 lb
84104	SAE	5/16 in	0.512 in	0.492 in	0.906 in	0.171 in	0.125 in	0.393 in	0.05 lb
84105D	SAE	11/32 in	0.512 in	0.543 in	0.906 in	0.203 in	0.17 in	0.905 in	0.05 lb
84106	SAE	3/8 in	0.512 in	0.591 in	0.906 in	0.281 in	0.219 in	0.905 in	0.06 lb
84107	SAE	7/16 in	0.512 in	0.642 in	0.906 in	0.281 in	0.219 in	0.905 in	0.07 lb
84108	SAE	1/2 in	0.512 in	0.74 in	0.906 in	0.344 in	0.281 in	0.905 in	0.08 lb
84109	SAE	9/16 in	0.512 in	0.74 in	0.906 in	0.406 in	0.281 in	0.905 in	0.09 lb
84111	Metric	4 mm	0.512 in	0.335 in	0.906 in	0.11 in	0.11 in	0.393 in	0.03 lb
84112	Metric	4.5 mm	0.512 in	0.335 in	0.906 in	0.11 in	0.11 in	0.393 in	0.04 lb
84113	Metric	5 mm	0.512 in	0.346 in	0.906 in	0.125 in	0.11 in	0.393 in	0.04 lb
84114	Metric	5.5 mm	0.512 in	0.374 in	0.906 in	0.14 in	0.11 in	0.393 in	0.04 lb
84115	Metric	6 mm	0.512 in	0.394 in	0.906 in	0.14 in	0.12 in	0.393 in	0.05 lb
84116	Metric	7 mm	0.512 in	0.445 in	0.906 in	0.17 in	0.139 in	0.393 in	0.05 lb
84117	Metric	8 mm	0.512 in	0.492 in	0.906 in	0.209 in	0.139 in	0.393 in	0.05 lb
84118	Metric	9 mm	0.512 in	0.543 in	0.906 in	0.209 in	0.159 in	0.905 in	0.05 lb
84119	Metric	10 mm	0.512 in	0.591 in	0.906 in	0.259 in	0.181 in	0.905 in	0.05 lb
84120	Metric	11 mm	0.512 in	0.642 in	0.906 in	0.299 in	0.214 in	0.905 in	0.07 lb
84121	Metric	12 mm	0.512 in	0.669 in	0.906 in	0.327 in	0.24 in	0.905 in	0.07 lb
84122	Metric	13 mm	0.512 in	0.74 in	0.906 in	0.327 in	0.265 in	0.905 in	0.08 lb
84123	Metric	14 mm	0.512 in	0.787 in	0.906 in	0.407 in	0.295 in	0.905 in	0.09 lb
84124	Metric	15 mm	0.512 in	0.827 in	0.906 in	0.407 in	0.295 in	0.905 in	0.11 lb

### 1/4" Drive 6 Point Deep Length Impact Sockets

- Chrome molybdenum alloy steel (Cr-Mo) for exceptional strength and durability
- Off-corner loading design reduces fastener rounding
- Manganese phosphate finish to resist corrosion
- High-visibility laser-etched markings provide quick size identification
- Secondary hard stamped size markings
- Meets or exceeds ASME specifications



Cat. No.	SAE/Metric	Fastener Size	Dim. A: Drive End	Dim. B: Wrench End	Dim. C: Overall Length	Dim. D: Bolt Clearance	Dim. E: Wrench Depth	Dim. F: Length to Shoulder	Product Weight
84126	SAE	3/16 in	0.512 in	0.335 in	1.968 in	0.13 in	0.11 in	0.905 in	0.07 lb
84127	SAE	7/32 in	0.512 in	0.374 in	1.968 in	0.13 in	0.125 in	0.905 in	0.08 lb
84128	SAE	1/4 in	0.512 in	0.406 in	1.968 in	0.15 in	0.125 in	0.905 in	0.08 lb
84129	SAE	9/32 in	0.512 in	0.445 in	1.968 in	0.171 in	0.125 in	0.905 in	0.08 lb
84130	SAE	5/16 in	0.512 in	0.492 in	1.968 in	0.171 in	0.125 in	0.905 in	0.08 lb
84131	SAE	11/32 in	0.512 in	0.543 in	1.968 in	0.203 in	0.17 in	1.968 in	0.08 lb
84132	SAE	3/8 in	0.512 in	0.591 in	1.968 in	0.281 in	0.219 in	1.968 in	0.10 lb
84133	SAE	7/16 in	0.512 in	0.642 in	1.968 in	0.281 in	0.219 in	1.968 in	0.12 lb
84134	SAE	1/2 in	0.512 in	0.74 in	1.968 in	0.344 in	0.281 in	1.968 in	0.17 lb
84135	SAE	9/16 in	0.512 in	0.787 in	1.968 in	0.406 in	0.281 in	1.968 in	0.18 lb
84137	Metric	4 mm	0.512 in	0.335 in	1.968 in	0.11 in	0.11 in	0.905 in	0.07 lb
84138	Metric	4.5 mm	0.512 in	0.335 in	1.968 in	0.11 in	0.11 in	0.905 in	0.07 lb
84139	Metric	5 mm	0.512 in	0.335 in	1.968 in	0.125 in	0.11 in	0.905 in	0.08 lb
84140	Metric	5.5 mm	0.512 in	0.374 in	1.968 in	0.14 in	0.11 in	0.905 in	0.08 lb
84141	Metric	6 mm	0.512 in	0.394 in	1.968 in	0.14 in	0.12 in	0.905 in	0.08 lb
84142	Metric	7 mm	0.512 in	0.445 in	1.968 in	0.17 in	0.139 in	0.905 in	0.08 lb
84143	Metric	8 mm	0.512 in	0.492 in	1.968 in	0.209 in	0.139 in	0.905 in	0.08 lb
84144	Metric	9 mm	0.512 in	0.543 in	1.968 in	0.209 in	0.159 in	1.968 in	0.09 lb
84145	Metric	10 mm	0.512 in	0.591 in	1.968 in	0.259 in	0.181 in	1.968 in	0.10 lb
84146	Metric	11 mm	0.512 in	0.642 in	1.968 in	0.299 in	0.214 in	1.968 in	0.12 lb
84147	Metric	12 mm	0.512 in	0.669 in	1.968 in	0.327 in	0.24 in	1.968 in	0.13 lb
84148	Metric	13 mm	0.512 in	0.74 in	1.968 in	0.327 in	0.265 in	1.968 in	0.17 lb
84149	Metric	14 mm	0.512 in	0.787 in	1.968 in	0.407 in	0.295 in	1.968 in	0.18 lb
84150D	Metric	15 mm	0.512 in	0.827 in	1.968 in	0.407 in	0.295 in	1.968 in	0.19 lb

### 1/4" Drive 6 Point Universal Impact Sockets

- Chrome molybdenum alloy steel (Cr-Mo) for exceptional strength and durability
- Off-corner loading design reduces fastener rounding
- Manganese phosphate finish to resist corrosion
- High-visibility laser-etched markings provide quick size identification
- Secondary hard stamped size markings
- Meets or exceeds ASME specifications



Cat. No.	SAE/Metric	Fastener Size	Dim. A: Drive End	Dim. B: Wrench End	Dim. C: Overall Length	Dim. D: Bolt Clearance	Dim. E: Wrench Depth	Dim. F: Length to Shoulder	Product Weight
84152	SAE	1/4 in	0.787 in	0.406 in	1.831 in	0.63 in	0.44 in	1.64 in	0.09 lb
84153	SAE	5/16 in	0.787 in	0.492 in	1.831 in	0.63 in	0.52 in	1.64 in	0.11 lb
84154	SAE	3/8 in	0.787 in	0.591 in	1.831 in	0.63 in	0.62 in	1.64 in	0.11 lb
84155	SAE	7/16 in	0.787 in	0.591 in	1.831 in	0.63 in	0.7 in	1.64 in	0.11 lb
84156	SAE	1/2 in	0.787 in	0.591 in	1.831 in	0.63 in	0.75 in	1.64 in	0.11 lb
84157	SAE	9/16 in	0.787 in	0.591 in	1.831 in	0.63 in	0.87 in	1.64 in	0.13 lb
84159	Metric	5 mm	0.787 in	0.374 in	1.831 in	0.63 in	0.35 in	1.64 in	0.09 lb
84160	Metric	5.5 mm	0.787 in	0.374 in	1.831 in	0.63 in	0.39 in	1.64 in	0.09 lb
84161	Metric	6 mm	0.787 in	0.394 in	1.831 in	0.63 in	0.44 in	1.64 in	0.10 lb
84162	Metric	7 mm	0.787 in	0.453 in	1.831 in	0.63 in	0.48 in	1.64 in	0.10 lb
84163	Metric	8 mm	0.787 in	0.492 in	1.831 in	0.63 in	0.52 in	1.64 in	0.10 lb
84164	Metric	9 mm	0.787 in	0.551 in	1.831 in	0.63 in	0.59 in	1.64 in	0.10 lb
84165	Metric	10 mm	0.787 in	0.591 in	1.831 in	0.63 in	0.62 in	1.64 in	0.11 lb
84166	Metric	11 mm	0.787 in	0.65 in	1.831 in	0.63 in	0.67 in	1.64 in	0.11 lb
84167	Metric	12 mm	0.787 in	0.661 in	1.831 in	0.63 in	0.71 in	1.64 in	0.11 lb
84168	Metric	13 mm	0.787 in	0.74 in	1.831 in	0.63 in	0.75 in	1.64 in	0.11 lb
84169	Metric	14 mm	0.787 in	0.78 in	1.831 in	0.63 in	0.8 in	1.64 in	0.12 lb
84170	Metric	15 mm	0.787 in	0.819 in	1.831 in	0.63 in	0.87 in	1.64 in	0.13 lb

### 44 Pc. 3/8" Drive 6 Point SAE/Metric Standard & Deep Impact Socket Set

- Chrome molybdenum alloy steel (Cr-Mo) for exceptional strength and durability
- Off-corner loading design reduces fastener rounding
- Black oxide finish to resist corrosion
- High-visibility laser-etched markings provide quick size identification
- Secondary hard stamped size markings
- Meets or exceeds ASME specifications
- Includes blow mold case for storage and organization



Cat. No.	Included Storage	Product Weight
84916N	Blow Mold Case	33.81 lb



Cat. No.	Description	Cat. No.	Description
84300N	3/8" Drive 6 Point Standard Impact SAE Socket 5/16"	84315N	3/8" Drive 6 Point Standard Impact Metric Socket 14mm
84301N	3/8" Drive 6 Point Standard Impact SAE Socket 3/8"	84316N	3/8" Drive 6 Point Standard Impact Metric Socket 15mm
84302N	3/8" Drive 6 Point Standard Impact SAE Socket 7/16"	84317N	3/8" Drive 6 Point Standard Impact Metric Socket 16mm
84303N	3/8" Drive 6 Point Standard Impact SAE Socket 1/2"	84318N	3/8" Drive 6 Point Standard Impact Metric Socket 17mm
84304N	3/8" Drive 6 Point Standard Impact SAE Socket 9/16"	84319N	3/8" Drive 6 Point Standard Impact Metric Socket 18mm
84305N	3/8" Drive 6 Point Standard Impact SAE Socket 5/8"	84320N	3/8" Drive 6 Point Standard Impact Metric Socket 19mm
84306N	3/8" Drive 6 Point Standard Impact SAE Socket 11/16"	84331N	3/8" Drive 6 Point Deep Impact Metric Socket 8mm
84307N	3/8" Drive 6 Point Standard Impact SAE Socket 3/4"	84332N	3/8" Drive 6 Point Deep Impact Metric Socket 9mm
84322N	3/8" Drive 6 Point Deep Impact SAE Socket 5/16"	84333N	3/8" Drive 6 Point Deep Impact Metric Socket 10mm
84323N	3/8" Drive 6 Point Deep Impact SAE Socket 3/8"	84334N	3/8" Drive 6 Point Deep Impact Metric Socket 11mm
84324N	3/8" Drive 6 Point Deep Impact SAE Socket 7/16"	84335N	3/8" Drive 6 Point Deep Impact Metric Socket 12mm
84325N	3/8" Drive 6 Point Deep Impact SAE Socket 1/2"	84336N	3/8" Drive 6 Point Deep Impact Metric Socket 13mm
84326N	3/8" Drive 6 Point Deep Impact SAE Socket 9/16"	84337N	3/8" Drive 6 Point Deep Impact Metric Socket 14mm
84327N	3/8" Drive 6 Point Deep Impact SAE Socket 5/8"	84338N	3/8" Drive 6 Point Deep Impact Metric Socket 15mm
84328N	3/8" Drive 6 Point Deep Impact SAE Socket 11/16"	84339N	3/8" Drive 6 Point Deep Impact Metric Socket 16mm
84329N	3/8" Drive 6 Point Deep Impact SAE Socket 3/4"	84340N	3/8" Drive 6 Point Deep Impact Metric Socket 17mm
84309N	3/8" Drive 6 Point Standard Impact Metric Socket 8mm	84341N	3/8" Drive 6 Point Deep Impact Metric Socket 18mm
84310N	3/8" Drive 6 Point Standard Impact Metric Socket 9mm	84342N	3/8" Drive 6 Point Deep Impact Metric Socket 19mm
84311N	3/8" Drive 6 Point Standard Impact Metric Socket 10mm	84343N	3/8" Drive 6 Point Deep Impact Metric Socket 21mm
84312N	3/8" Drive 6 Point Standard Impact Metric Socket 11mm	84406	3/8" Drive Impact Extension 3"
84313N	3/8" Drive 6 Point Standard Impact Metric Socket 12mm	84407	3/8" Drive Impact Extension 6"
84314N	3/8" Drive 6 Point Standard Impact Metric Socket 13mm	80548N	3/8" Drive Impact Universal Joint

### 25 Pc. 3/8" Drive 6 Point SAE Standard & Deep Impact Socket Set

- Chrome molybdenum alloy steel (Cr-Mo) for exceptional strength and durability
- Off-corner loading design reduces fastener rounding
- Black oxide finish to resist corrosion
- High-visibility laser-etched markings provide quick size identification
- Secondary hard stamped size markings
- Meets or exceeds ASME specifications
- Includes blow mold case for storage and organization



Cat. No.	Included Storage	Product Weight
84919N	Blow Mold Case	7.74 lb



Cat. No.	Description	Cat. No.	Description
84300N	3/8" Drive 6 Point Standard Impact SAE Socket 5/16"	84323N	3/8" Drive 6 Point Deep Impact SAE Socket 3/8"
84301N	3/8" Drive 6 Point Standard Impact SAE Socket 3/8"	84324N	3/8" Drive 6 Point Deep Impact SAE Socket 7/16"
84302N	3/8" Drive 6 Point Standard Impact SAE Socket 7/16"	84325N	3/8" Drive 6 Point Deep Impact SAE Socket 1/2"
84303N	3/8" Drive 6 Point Standard Impact SAE Socket 1/2"	84326N	3/8" Drive 6 Point Deep Impact SAE Socket 9/16"
84304N	3/8" Drive 6 Point Standard Impact SAE Socket 9/16"	84327N	3/8" Drive 6 Point Deep Impact SAE Socket 5/8"
84305N	3/8" Drive 6 Point Standard Impact SAE Socket 5/8"	84328N	3/8" Drive 6 Point Deep Impact SAE Socket 11/16"
84306N	3/8" Drive 6 Point Standard Impact SAE Socket 11/16"	84329N	3/8" Drive 6 Point Deep Impact SAE Socket 3/4"
84307N	3/8" Drive 6 Point Standard Impact SAE Socket 3/4"	84428N	3/8" Drive 6 Point Deep Impact SAE Socket 13/16"
84308N	3/8" Drive 6 Point Standard Impact SAE Socket 13/16"	84429N	3/8" Drive 6 Point Deep Impact SAE Socket 7/8"
84386N	3/8" Drive 6 Point Standard Impact SAE Socket 7/8"	84430N	3/8" Drive 6 Point Deep Impact SAE Socket 15/16"
84387N	3/8" Drive 6 Point Standard Impact SAE Socket 15/16"	84431N	3/8" Drive 6 Point Deep Impact SAE Socket 1"
84388N	3/8" Drive 6 Point Standard Impact SAE Socket 1"	80548N	3/8" Drive Impact Universal Joint
84322N	3/8" Drive 6 Point Deep Impact SAE Socket 5/16"		

### 29 Pc. 3/8" Drive 6 Point Metric Standard & Deep Impact Socket Set

- Chrome molybdenum alloy steel (Cr-Mo) for exceptional strength and durability
- Off-corner loading design reduces fastener rounding
- Black oxide finish to resist corrosion
- High-visibility laser-etched markings provide quick size identification
- Secondary hard stamped size markings
- Meets or exceeds ASME specifications
- Includes blow mold case for storage and organization



Cat. No.	Included Storage	Product Weight
84925N	Blow Mold Case	8.40 lb



Cat. No.	Description	Cat. No.	Description
84309N	3/8" Drive 6 Point Standard Impact Metric Socket 8mm	84332N	3/8" Drive 6 Point Deep Impact Metric Socket 9mm
84310N	3/8" Drive 6 Point Standard Impact Metric Socket 9mm	84333N	3/8" Drive 6 Point Deep Impact Metric Socket 10mm
84311N	3/8" Drive 6 Point Standard Impact Metric Socket 10mm	84334N	3/8" Drive 6 Point Deep Impact Metric Socket 11mm
84312N	3/8" Drive 6 Point Standard Impact Metric Socket 11mm	84335N	3/8" Drive 6 Point Deep Impact Metric Socket 12mm
84313N	3/8" Drive 6 Point Standard Impact Metric Socket 12mm	84336N	3/8" Drive 6 Point Deep Impact Metric Socket 13mm
84314N	3/8" Drive 6 Point Standard Impact Metric Socket 13mm	84337N	3/8" Drive 6 Point Deep Impact Metric Socket 14mm
84315N	3/8" Drive 6 Point Standard Impact Metric Socket 14mm	84338N	3/8" Drive 6 Point Deep Impact Metric Socket 15mm
84316N	3/8" Drive 6 Point Standard Impact Metric Socket 15mm	84339N	3/8" Drive 6 Point Deep Impact Metric Socket 16mm
84317N	3/8" Drive 6 Point Standard Impact Metric Socket 16mm	84340N	3/8" Drive 6 Point Deep Impact Metric Socket 17mm
84318N	3/8" Drive 6 Point Standard Impact Metric Socket 17mm	84341N	3/8" Drive 6 Point Deep Impact Metric Socket 18mm
84319N	3/8" Drive 6 Point Standard Impact Metric Socket 18mm	84342N	3/8" Drive 6 Point Deep Impact Metric Socket 19mm
84320N	3/8" Drive 6 Point Standard Impact Metric Socket 19mm	84343N	3/8" Drive 6 Point Deep Impact Metric Socket 21mm
84435N	3/8" Drive 6 Point Standard Impact Metric Socket 21mm	84344N	3/8" Drive 6 Point Deep Impact Metric Socket 22mm
84321N	3/8" Drive 6 Point Standard Impact Metric Socket 22mm	80548N	3/8" Drive Impact Universal Joint
84331N	3/8" Drive 6 Point Deep Impact Metric Socket 8mm		

### 8 Pc. 3/8" Drive 6 Point SAE Impact Socket Set

- Chrome molybdenum alloy steel (Cr-Mo) for exceptional strength and durability
- Off-corner loading design reduces fastener rounding
- Black oxide finish to resist corrosion
- High-visibility laser-etched markings provide quick size identification
- Secondary hard stamped size markings
- Meets or exceeds ASME specifications
- Includes socket rail for storage and organization



Cat. No.	Included Storage	Product Weight
84910N	Socket Rail	1.10 lb



Cat. No.	Description	Cat. No.	Description
84300N	3/8" Drive 6 Point Standard Impact SAE Socket 5/16"	84304N	3/8" Drive 6 Point Standard Impact SAE Socket 9/16"
84301N	3/8" Drive 6 Point Standard Impact SAE Socket 3/8"	84305N	3/8" Drive 6 Point Standard Impact SAE Socket 5/8"
84302N	3/8" Drive 6 Point Standard Impact SAE Socket 7/16"	84306N	3/8" Drive 6 Point Standard Impact SAE Socket 11/16"
84303N	3/8" Drive 6 Point Standard Impact SAE Socket 1/2"	84307N	3/8" Drive 6 Point Standard Impact SAE Socket 3/4"

### 12 Pc. 3/8" Drive 6 Point Metric Impact Socket Set

- Chrome molybdenum alloy steel (Cr-Mo) for exceptional strength and durability
- Off-corner loading design reduces fastener rounding
- Black oxide finish to resist corrosion
- High-visibility laser-etched markings provide quick size identification
- Secondary hard stamped size markings
- Meets or exceeds ASME specifications
- Includes socket rail for storage and organization



Cat. No.	Included Storage	Product Weight
84911N	Socket Rail	1.65 lb



Cat. No.	Description	Cat. No.	Description
84309N	3/8" Drive 6 Point Standard Impact Metric Socket 8mm	84315N	3/8" Drive 6 Point Standard Impact Metric Socket 14mm
84310N	3/8" Drive 6 Point Standard Impact Metric Socket 9mm	84316N	3/8" Drive 6 Point Standard Impact Metric Socket 15mm
84311N	3/8" Drive 6 Point Standard Impact Metric Socket 10mm	84317N	3/8" Drive 6 Point Standard Impact Metric Socket 16mm
84312N	3/8" Drive 6 Point Standard Impact Metric Socket 11mm	84318N	3/8" Drive 6 Point Standard Impact Metric Socket 17mm
84313N	3/8" Drive 6 Point Standard Impact Metric Socket 12mm	84319N	3/8" Drive 6 Point Standard Impact Metric Socket 18mm
84314N	3/8" Drive 6 Point Standard Impact Metric Socket 13mm	84320N	3/8" Drive 6 Point Standard Impact Metric Socket 19mm



### 8 Pc. 3/8" Drive 6 Point SAE Deep Impact Socket Set

- Chrome molybdenum alloy steel (Cr-Mo) for exceptional strength and durability
- Off-corner loading design reduces fastener rounding
- Black oxide finish to resist corrosion
- High-visibility laser-etched markings provide quick size identification
- Secondary hard stamped size markings
- Meets or exceeds ASME specifications
- Includes socket rail for storage and organization



Cat. No.	Included Storage	Product Weight
84915N	Socket Rail	2.31 lb



Cat. No.	Description	Cat. No.	Description
84322N	3/8" Drive 6 Point Deep Impact SAE Socket 5/16"	84326N	3/8" Drive 6 Point Deep Impact SAE Socket 9/16"
84323N	3/8" Drive 6 Point Deep Impact SAE Socket 3/8"	84327N	3/8" Drive 6 Point Deep Impact SAE Socket 5/8"
84324N	3/8" Drive 6 Point Deep Impact SAE Socket 7/16"	84328N	3/8" Drive 6 Point Deep Impact SAE Socket 11/16"
84325N	3/8" Drive 6 Point Deep Impact SAE Socket 1/2"	84329N	3/8" Drive 6 Point Deep Impact SAE Socket 3/4"

### 13 Pc. 3/8" Drive 6 Point Metric Deep Impact Socket Set

- Chrome molybdenum alloy steel (Cr-Mo) for exceptional strength and durability
- Off-corner loading design reduces fastener rounding
- Black oxide finish to resist corrosion
- High-visibility laser-etched markings provide quick size identification
- Secondary hard stamped size markings
- Meets or exceeds ASME specifications
- Includes socket rail for storage and organization



Cat. No.	Included Storage	Product Weight
84914N	Socket Rail	3.76 lb



Cat. No.	Description	Cat. No.	Description
84331N	3/8" Drive 6 Point Deep Impact Metric Socket 8mm	84338N	3/8" Drive 6 Point Deep Impact Metric Socket 15mm
84332N	3/8" Drive 6 Point Deep Impact Metric Socket 9mm	84339N	3/8" Drive 6 Point Deep Impact Metric Socket 16mm
84333N	3/8" Drive 6 Point Deep Impact Metric Socket 10mm	84340N	3/8" Drive 6 Point Deep Impact Metric Socket 17mm
84334N	3/8" Drive 6 Point Deep Impact Metric Socket 11mm	84341N	3/8" Drive 6 Point Deep Impact Metric Socket 18mm
84335N	3/8" Drive 6 Point Deep Impact Metric Socket 12mm	84342N	3/8" Drive 6 Point Deep Impact Metric Socket 19mm
84336N	3/8" Drive 6 Point Deep Impact Metric Socket 13mm	84343N	3/8" Drive 6 Point Deep Impact Metric Socket 21mm
84337N	3/8" Drive 6 Point Deep Impact Metric Socket 14mm		

### 7 Pc. 3/8" Drive SAE Impact Hex Bit Socket Set

- Chrome molybdenum alloy steel (Cr-Mo) for exceptional strength and durability
- Pin hole can be used with pin and o-ring for secure socket retention
- Manganese phosphate finish to resist corrosion
- High-visibility laser-etched markings provide quick size identification
- Secondary hard stamped size markings
- Meets or exceeds ASME Specifications
- Includes social rail for storage and organization



Cat. No.	Included Storage	Product Weight
84913	Socket Rail	1.50 lb



Cat. No.	Description	Cat. No.	Description
84397	3/8" Drive Hex Bit Impact SAE Socket 3/16"	84401	3/8" Drive Hex Bit Impact SAE Socket 3/8"
84398	3/8" Drive Hex Bit Impact SAE Socket 7/32"	84402	3/8" Drive Hex Bit Impact SAE Socket 7/16"
84399	3/8" Drive Hex Bit Impact SAE Socket 1/4"	84403	3/8" Drive Hex Bit Impact SAE Socket 1/2"
84400D	3/8" Drive Hex Bit Impact SAE Socket 5/16"		

### 7 Pc. 3/8" Drive Metric Impact Hex Bit Socket Set

- Chrome molybdenum alloy steel (Cr-Mo) for exceptional strength and durability
- Pin hole can be used with pin and o-ring for secure socket retention
- Manganese phosphate finish to resist corrosion
- High-visibility laser etched markings provide quick size identification
- Secondary hard stamped size markings
- Meets or exceeds ASME Specifications
- Includes social rail for storage and organization



Cat. No.	Included Storage	Product Weight
84912	Socket Rail	1.50 lb



Cat. No.	Description	Cat. No.	Description
84389	3/8" Drive Hex Bit Impact Metric Socket 4mm	84393	3/8" Drive Hex Bit Impact Metric Socket 8mm
84390	3/8" Drive Hex Bit Impact Metric Socket 5mm	84394	3/8" Drive Hex Bit Impact Metric Socket 10mm
84391	3/8" Drive Hex Bit Impact Metric Socket 6mm	84395	3/8" Drive Hex Bit Impact Metric Socket 12mm
84392	3/8" Drive Hex Bit Impact Metric Socket 7mm		

### 11 Pc. 3/8" Drive 6 Point Metric X-Core™ Pinless Universal Impact Socket Set



- X-Core™ pinless joint design is 4x more durable than pinned products for increased strength
- 30° maximum operating flex angle
- Smooth 360° rotation for easier access
- Off-corner loading reduces fastener rounding
- Chrome molybdenum alloy steel (Cr-Mo) for exceptional strength and durability
- Black oxide finish to resist corrosion
- High-visibility laser etched markings provide quick size identification
- Meets or exceeds ASME specifications
- Includes socket rail for storage and organization



Cat. No.	Included Storage	Product Weight
84975	Socket Rail	3.040 lb



Cat. No.	Description	Cat. No.	Description
84458	3/8" Drive 6 Point Standard X-Core™ Impact Universal Metric Socket 8mm	84465	3/8" Drive 6 Point Standard X-Core™ Impact Universal Metric Socket 15mm
84460	3/8" Drive 6 Point Standard X-Core™ Impact Universal Metric Socket 10mm	84466	3/8" Drive 6 Point Standard X-Core™ Impact Universal Metric Socket 16mm
84461	3/8" Drive 6 Point Standard X-Core™ Impact Universal Metric Socket 11mm	84467	3/8" Drive 6 Point Standard X-Core™ Impact Universal Metric Socket 17mm
84462	3/8" Drive 6 Point Standard X-Core™ Impact Universal Metric Socket 12mm	84468	3/8" Drive 6 Point Standard X-Core™ Impact Universal Metric Socket 18mm
84463	3/8" Drive 6 Point Standard X-Core™ Impact Universal Metric Socket 13mm	84469	3/8" Drive 6 Point Standard X-Core™ Impact Universal Metric Socket 19mm
84464	3/8" Drive 6 Point Standard X-Core™ Impact Universal Metric Socket 14mm		

### 7 Pc. 3/8" Drive 6 Point SAE X-Core™ Pinless Universal Impact Socket Set



- X-Core™ pinless joint design is 4x more durable than pinned products for increased strength
- 30° maximum operating flex angle
- Smooth 360° rotation for easier access
- Off-corner loading reduces fastener rounding
- Chrome molybdenum alloy steel (Cr-Mo) for exceptional strength and durability
- Black oxide finish to resist corrosion
- High-visibility laser etched markings provide quick size identification
- Meets or exceeds ASME specifications
- Includes socket rail for storage and organization



Cat. No.	Included Storage	Product Weight
84974	Socket Rail	2.310 lb



Cat. No.	Description	Cat. No.	Description
84480	3/8" Drive 6 Point Standard X-Core™ Impact Universal SAE Socket 3/8"	84484	3/8" Drive 6 Point Standard X-Core™ Impact Universal SAE Socket 5/8"
84481	3/8" Drive 6 Point Standard X-Core™ Impact Universal SAE Socket 7/16"	84485	3/8" Drive 6 Point Standard X-Core™ Impact Universal SAE Socket 11/16"
84482	3/8" Drive 6 Point Standard X-Core™ Impact Universal SAE Socket 1/2"	84486	3/8" Drive 6 Point Standard X-Core™ Impact Universal SAE Socket 3/4"
84483	3/8" Drive 6 Point Standard X-Core™ Impact Universal SAE Socket 9/16"		

### 3 Pc. 3/8" Drive 6 Point Metric X-Core™ Pinless Universal Impact Socket Set



- X-Core™ pinless joint design is 4x more durable than pinned products for increased strength
- 30° maximum operating flex angle
- Smooth 360° rotation for easier access
- Off-corner loading reduces fastener rounding
- Chrome molybdenum alloy steel (Cr-Mo) for exceptional strength and durability
- Black oxide finish to resist corrosion
- High-visibility laser etched markings provide quick size identification
- Meets or exceeds ASME specifications
- Includes socket rail for storage and organization



Cat. No.	Included Storage	Product Weight
84976	Socket Rail	1.100 lb



Cat. No.	Description
84471	3/8" Drive 6 Point Standard X-Core™ Impact Universal Metric Socket 21mm
84472	3/8" Drive 6 Point Standard X-Core™ Impact Universal Metric Socket 22mm
84474	3/8" Drive 6 Point Standard X-Core™ Impact Universal Metric Socket 24mm

### 8 Pc. 3/8" Drive 6 Point SAE Universal Impact Socket Set

- Deep flex socket design provides more access to fasteners in tight confines
- Chrome molybdenum alloy steel (Cr-Mo) for exceptional strength and durability
- Off-corner loading design for reduced fastener rounding
- Manganese phosphate finish to resist corrosion
- High-visibility laser etched markings provide quick size identification
- Hard stamped size markings
- Meets or exceeds ASME specifications
- Includes socket rail for storage and organization



Cat. No.	Included Storage	Product Weight
84917N	Socket Rail	1.65 lb



Cat. No.	Description	Cat. No.	Description
84345N	3/8" Drive 6 Point Standard Universal Impact SAE Socket 5/16"	84349N	3/8" Drive 6 Point Standard Universal Impact SAE Socket 9/16"
84346N	3/8" Drive 6 Point Standard Universal Impact SAE Socket 3/8"	84350N	3/8" Drive 6 Point Standard Universal Impact SAE Socket 5/8"
84347N	3/8" Drive 6 Point Standard Universal Impact SAE Socket 7/16"	84351N	3/8" Drive 6 Point Standard Universal Impact SAE Socket 11/16"
84348N	3/8" Drive 6 Point Standard Universal Impact SAE Socket 1/2"	84352N	3/8" Drive 6 Point Standard Universal Impact SAE Socket 3/4"

### 15 Pc. 3/8" Drive 6 Point Metric Universal Impact Socket Set

- Flex socket design provides more access to fasteners in tight confines
- Chrome molybdenum alloy steel (Cr-Mo) for exceptional strength and durability
- Off-corner loading design for reduced fastener rounding
- Manganese phosphate finish to resist corrosion
- High-visibility laser etched markings provide quick size identification
- Hard stamped size markings
- Meets or exceeds ASME specifications
- Includes blow mold case for storage and organization



Cat. No.	Included Storage	Product Weight
84918N	Blow Mold Case	5.51 lb



Cat. No.	Description	Cat. No.	Description
84354N	3/8" Drive 6 Point Standard Universal Impact Metric Socket 8mm	84362N	3/8" Drive 6 Point Standard Universal Impact Metric Socket 16mm
84355N	3/8" Drive 6 Point Standard Universal Impact Metric Socket 9mm	84363N	3/8" Drive 6 Point Standard Universal Impact Metric Socket 17mm
84356N	3/8" Drive 6 Point Standard Universal Impact Metric Socket 10mm	84364N	3/8" Drive 6 Point Standard Universal Impact Metric Socket 18mm
84357N	3/8" Drive 6 Point Standard Universal Impact Metric Socket 11mm	84365N	3/8" Drive 6 Point Standard Universal Impact Metric Socket 19mm
84358N	3/8" Drive 6 Point Standard Universal Impact Metric Socket 12mm	84366N	3/8" Drive 6 Point Standard Universal Impact Metric Socket 20mm
84359N	3/8" Drive 6 Point Standard Universal Impact Metric Socket 13mm	84367N	3/8" Drive 6 Point Standard Universal Impact Metric Socket 21mm
84360N	3/8" Drive 6 Point Standard Universal Impact Metric Socket 14mm	84368N	3/8" Drive 6 Point Standard Universal Impact Metric Socket 22mm
84361N	3/8" Drive 6 Point Standard Universal Impact Metric Socket 15mm		

### 7 Pc. 3/8" Drive 6 Point SAE Deep Universal Impact Socket Set

- Deep flex socket design provides more access to fasteners in tight confines
- Chrome molybdenum alloy steel (Cr-Mo) for exceptional strength and durability
- Off-corner loading design for reduced fastener rounding
- Black oxide finish to resist corrosion
- High-visibility laser etched markings provide quick size identification
- Hard stamped size markings
- Meets or exceeds ASME specifications
- Includes socket rail for storage and organization



Cat. No.	Included Storage	Product Weight
84923N	Socket Rail	1.84 lb



Cat. No.	Description	Cat. No.	Description
84369N	3/8" Drive 6 Point Deep Universal Impact SAE Socket 3/8"	84373N	3/8" Drive 6 Point Deep Universal Impact SAE Socket 5/8"
84370N	3/8" Drive 6 Point Deep Universal Impact SAE Socket 7/16"	84374N	3/8" Drive 6 Point Deep Universal Impact SAE Socket 11/16"
84371N	3/8" Drive 6 Point Deep Universal Impact SAE Socket 1/2"	84375N	3/8" Drive 6 Point Deep Universal Impact SAE Socket 3/4"
84372N	3/8" Drive 6 Point Deep Universal Impact SAE Socket 9/16"		

### 10 Pc. 3/8" Drive 6 Point Metric Deep Universal Impact Socket Set

- Deep flex socket design provides more access to fasteners in tight confines
- Chrome molybdenum alloy steel (Cr-Mo) for exceptional strength and durability
- Off-corner loading design for reduced fastener rounding
- Black oxide finish to resist corrosion
- High-visibility laser etched markings provide quick size identification
- Hard stamped size markings
- Meets or exceeds ASME specifications
- Includes socket rail for storage and organization



Cat. No.	Included Storage	Product Weight
84924N	Socket Rail	2.57 lb



Cat. No.	Description	Cat. No.	Description
84376N	3/8" Drive 6 Point Deep Universal Impact Metric Socket 10mm	84381N	3/8" Drive 6 Point Deep Universal Impact Metric Socket 15mm
84377N	3/8" Drive 6 Point Deep Universal Impact Metric Socket 11mm	84382N	3/8" Drive 6 Point Deep Universal Impact Metric Socket 16mm
84378N	3/8" Drive 6 Point Deep Universal Impact Metric Socket 12mm	84383N	3/8" Drive 6 Point Deep Universal Impact Metric Socket 17mm
84379N	3/8" Drive 6 Point Deep Universal Impact Metric Socket 13mm	84384N	3/8" Drive 6 Point Deep Universal Impact Metric Socket 18mm
84380N	3/8" Drive 6 Point Deep Universal Impact Metric Socket 14mm	84385N	3/8" Drive 6 Point Deep Universal Impact Metric Socket 19mm

### 3 Pc. 3/8" Drive X-Core™ Pinless Universal Joint Extension Set

- X-Core™ pinless joint design for increased strength and durability
- Universal joint extensions can be used with any socket style
- 30° maximum operating flex angle
- Smooth 360° rotation for easier access
- Ball detent for secure socket retention
- Chrome molybdenum alloy steel (Cr-Mo) for exceptional strength and long-lasting durability
- Black oxide finish to resist corrosion
- High-visibility laser-etched markings provide quick size identification
- Meets or exceeds ASME specifications
- Includes tray for storage and organization



Cat. No.	Included Storage	Product Weight
84453	Tray	2.160 lb

Cat. No.	Description
84450	3/8" Drive X-Core™ Universal Joint Impact Extension 6"
84451	3/8" Drive X-Core™ Universal Joint Impact Extension 9"
84452	3/8" Drive X-Core™ Universal Joint Impact Extension 12"

### 3 Pc. 3/8" Drive Impact Locking Extension Set

- Chrome molybdenum alloy steel (Cr-Mo) for exceptional strength and durability
- Pin hole can be used with detent pin for secure socket retention
- Locking mechanism with sliding collar securely attaches socket to extension
- Manganese phosphate finish to resist corrosion
- High-visibility laser etched markings for quick size identification
- Includes tray for storage and organization



Cat. No.	Included Storage	Product Weight
84927N	Tray	1.38 lb

Cat. No.	Description
84432N	3/8" Drive Locking Impact Extension 3"
84433N	3/8" Drive Locking Impact Extension 6"
84434N	3/8" Drive Locking Impact Extension 12"

### 4 Pc. 3/8" Drive Impact Extension Set

- Flex socket design provides more access to fasteners in tight confines
- Chrome molybdenum alloy steel (Cr-Mo) for exceptional strength and durability
- Off-corner loading design for reduced fastener rounding
- Manganese phosphate finish to resist corrosion
- High-visibility laser etched markings provide quick size identification
- Meets or exceeds ASME specifications
- Includes tray for storage and organization



Cat. No.	Included Storage	Product Weight
84926N	Tray	2.57 lb

Cat. No.	Description	Cat. No.	Description
84406	3/8" Drive Impact Extension 3"	84405	3/8" Drive Impact Extension 10"
84407	3/8" Drive Impact Extension 6"	84409N	3/8" Drive Impact Extension 15"

### 7 Pc. 3/8" Drive X-Core™ Pinless Metric Universal Impact Extension Socket Set

- X-Core™ pinless joint design for increased strength and durability
- 30° maximum operating flex angle
- Smooth 360° rotation for easier access
- Off-corner loading design reduces fastener rounding
- Chrome molybdenum alloy steel (Cr-Mo) for exceptional strength and durability
- Black oxide finish to resist corrosion
- 6-point socket with a 9" overall length for even more access
- High-visibility laser etched markings provide quick size identification
- Meets or exceeds ASME specifications
- Includes socket rail for storage and organization



Cat. No.	Included Storage	Product Weight
84980	Tray	5.511 lb

Cat. No.	Description	Cat. No.	Description
84489	3/8" Drive 6 Point X-Core™ Universal Impact Metric Extension Socket 8mm	84493	3/8" Drive 6 Point X-Core™ Universal Impact Metric Extension Socket 13mm
84490	3/8" Drive 6 Point X-Core™ Universal Impact Metric Extension Socket 10mm	84494	3/8" Drive 6 Point X-Core™ Universal Impact Metric Extension Socket 14mm
84491	3/8" Drive 6 Point X-Core™ Universal Impact Metric Extension Socket 11mm	84495	3/8" Drive 6 Point X-Core™ Universal Impact Metric Extension Socket 15mm
84492	3/8" Drive 6 Point X-Core™ Universal Impact Metric Extension Socket 12mm		





### 3/8" Drive X-Core™ Pinless Universal Joint Impact Extension

- X-Core™ pinless joint design for increased strength and durability
- Universal joint extensions can be used with any socket style
- 30° maximum operating flex angle
- Smooth 360° rotation for easier access
- Ball detent for secure socket retention
- Chrome molybdenum alloy steel (Cr-Mo) for exceptional strength and long-lasting durability
- Black oxide finish to resist corrosion
- High-visibility laser-etched markings provide quick size identification
- Meets or exceeds ASME specifications



Cat. No.	Male Drive Size	Female Drive Size	Overall Length	Dim. A: Drive End	Dim. C: Overall Length	Product Weight
84450	3/8"	3/8"	6 in	.87 in	6 in	0.587 lb
84451	3/8"	3/8"	9 in	.87 in	9 in	0.682 lb
84452	3/8"	3/8"	12 in	.87 in	12 in	0.815 lb

### 3/8" Drive Impact Locking Extensions

- Chrome molybdenum alloy steel (Cr-Mo) for exceptional strength and durability
- Pin hole can be used with pin and o-ring for secure socket retention
- Locking mechanism with sliding collar securely attaches socket to extension
- Manganese phosphate finish to resist corrosion
- High-visibility laser etched markings provide quick size identification
- Meets or exceeds ASME specifications



Cat. No.	Drive Tang Size	Overall Length	Product Weight
84432N	3/8 in	3 in	0.170 lb
84433N	3/8 in	6 in	0.330 lb
84434N	3/8 in	12 in	0.620 lb
84436N	3/8 in	18 in	0.968
84437N	3/8 in	24 in	1.276
84438N	3/8 in	33 in	1.738

### 3/8" Drive Impact Extensions

- Chrome molybdenum alloy steel (Cr-Mo) for exceptional strength and durability
- Pin hole can be used with pin and o-ring for secure socket retention
- Manganese phosphate finish to resist corrosion
- High-visibility laser etched markings provide quick size identification
- Meets or exceeds ASME specifications



Cat. No.	Drive Tang Size	Overall Length	Product Weight
84406	3/8 in	3 in	0.18 lb
84407	3/8 in	6 in	0.34 lb
84405	3/8 in	10 in	0.53 lb
84409N	3/8 in	15 in	0.77 lb

### 3/8" Drive X-Core™ Pinless Universal Impact Extension Sockets

- X-Core™ pinless joint design for increased strength and durability
- 30° maximum operating flex angle
- Smooth 360° rotation for easier access
- Off-corner loading design reduces fastener rounding
- Chrome molybdenum alloy steel (Cr-Mo) for exceptional strength and durability
- Black oxide finish to resist corrosion
- 6-point socket with a 9" overall length for even more access
- High-visibility laser etched markings provide quick size identification
- Meets or exceeds ASME specifications



Cat. No.	SAE/Metric	Drive Tang Size	Fastener Size	Overall Length	Product Weight
84489	Metric	3/8 in	8 mm	9 in	0.682 lb
84490	Metric	3/8 in	10 mm	9 in	0.682 lb
84491	Metric	3/8 in	11 mm	9 in	0.682 lb
84492	Metric	3/8 in	12 mm	9 in	0.682 lb
84493	Metric	3/8 in	13 mm	9 in	0.682 lb
84494	Metric	3/8 in	14 mm	9 in	0.682 lb
84495	Metric	3/8 in	15 mm	9 in	0.682 lb

### 3/8" Drive Impact Drive Adapter

- Chrome molybdenum alloy steel (Cr-Mo) for exceptional strength and durability
- Manganese phosphate finish to resist corrosion
- Hard stamped size markings
- Meets or exceeds ASME specifications



Cat. No.	Female Drive Size	Male Drive Size	Dim. C: Overall Length	Product Weight
84408	3/8"	1/2"	1.5 in	0.13 lb

### 3/8" Drive X-Core™ Pinless Impact Universal Joint

- X-Core™ pinless joint design is 4x more durable than pinned products for increased strength
- Ball detent for secure socket retention
- 30° maximum operating flex angle
- Smooth 360° rotation for easier access
- Chrome molybdenum alloy steel (Cr-Mo) for exceptional strength and durability
- Black oxide finish to resist corrosion
- High-visibility laser etched markings provide quick size identification
- Meets or exceeds ASME specifications



Cat. No.	Female Drive Size	Male Drive Size	Dim. C: Overall Length	Product Weight
84440	3/8"	3/8"	2.16 in	.20 lb

### 3/8" Drive Impact Universal Joint

- Chrome molybdenum alloy steel (Cr-Mo) for exceptional strength and durability
- Manganese phosphate finish to resist corrosion
- Hard stamped size markings
- Meets or exceeds ASME specifications



Cat. No.	Female Drive Size	Male Drive Size	Dim. C: Overall Length	Product Weight
80548N	3/8"	3/8"	2.008 in	0.20 lb

### 3/8" Drive 6 Point Standard Length Impact Sockets

- Chrome molybdenum alloy steel (Cr-Mo) for exceptional strength and durability
- Off-corner loading design reduces fastener rounding
- Black oxide finish to resist corrosion
- High-visibility laser-etched markings provide quick size identification
- Secondary hard stamped size markings
- Meets or exceeds ASME specifications



Cat. No.	SAE/Metric	Fastener Size	Dim. A: Drive End	Dim. B: Wrench End	Dim. C: Overall Length	Dim. D: Bolt Clearance	Dim. E: Wrench Depth	Dim. F: Length to Shoulder	Product Weight
84300N	SAE	5/16 in	0.74 in	0.504 in	1.102 in	0.283 in	0.236 in	0.531 in	0.07 lb
84301N	SAE	3/8 in	0.74 in	0.591 in	1.102 in	0.283 in	0.276 in	0.531 in	0.07 lb
84302N	SAE	7/16 in	0.74 in	0.677 in	1.102 in	0.346 in	0.315 in	0.531 in	0.07 lb
84303N	SAE	1/2 in	0.78 in	0.78 in	1.102 in	0.346 in	0.433 in	0.531 in	0.09 lb
84304N	SAE	9/16 in	0.862 in	0.862 in	1.181 in	0.472 in	0.433 in	1.181 in	0.12 lb
84305N	SAE	5/8 in	0.937 in	0.937 in	1.181 in	0.472 in	0.433 in	1.181 in	0.15 lb
84306N	SAE	11/16 in	0.976 in	0.976 in	1.181 in	0.551 in	0.433 in	1.181 in	0.16 lb
84307N	SAE	3/4 in	1.055 in	1.055 in	1.181 in	0.724 in	0.472 in	1.181 in	0.18 lb
84308N	SAE	13/16 in	1.173 in	1.173 in	1.181 in	0.787 in	0.472 in	1.181 in	0.24 lb
84386N	SAE	7/8 in	1.252 in	1.252 in	1.181 in	0.787 in	0.512 in	1.181 in	0.27 lb
84387N	SAE	15/16 in	1.331 in	1.331 in	1.181 in	0.787 in	0.551 in	1.181 in	0.29 lb
84388N	SAE	1 in	1.409 in	1.409 in	1.181 in	0.787 in	0.591 in	1.181 in	0.31 lb
84309N	Metric	8 mm	0.74 in	0.535 in	1.102 in	0.283 in	0.236 in	0.531 in	0.07 lb
84310N	Metric	9 mm	0.74 in	0.575 in	1.102 in	0.283 in	0.276 in	0.531 in	0.07 lb
84311N	Metric	10 mm	0.74 in	0.626 in	1.102 in	0.283 in	0.276 in	0.531 in	0.07 lb
84312N	Metric	11 mm	0.74 in	0.74 in	1.102 in	0.346 in	0.315 in	0.531 in	0.07 lb
84313N	Metric	12 mm	0.74 in	0.74 in	1.102 in	0.346 in	0.354 in	1.102 in	0.08 lb
84314N	Metric	13 mm	0.78 in	0.78 in	1.102 in	0.346 in	0.433 in	1.102 in	0.09 lb
84315N	Metric	14 mm	0.862 in	0.862 in	1.181 in	0.472 in	0.433 in	1.181 in	0.13 lb
84316N	Metric	15 mm	0.866 in	0.866 in	1.181 in	0.472 in	0.433 in	1.181 in	0.12 lb
84317N	Metric	16 mm	0.937 in	0.937 in	1.181 in	0.472 in	0.433 in	1.181 in	0.15 lb
84318N	Metric	17 mm	0.976 in	0.976 in	1.181 in	0.551 in	0.433 in	1.181 in	0.16 lb
84319N	Metric	18 mm	1.016 in	1.016 in	1.181 in	0.551 in	0.472 in	1.181 in	0.17 lb
84320N	Metric	19 mm	1.055 in	1.055 in	1.181 in	0.724 in	0.472 in	1.181 in	0.18 lb
84435N	Metric	21 mm	1.173 in	1.173 in	1.181 in	0.787 in	0.472 in	1.181 in	0.23 lb
84321N	Metric	22 mm	1.252 in	1.252 in	1.181 in	0.787 in	0.512 in	1.181 in	0.27 lb

### 3/8" Drive 6 Point Deep Length Impact Sockets

- Chrome molybdenum alloy steel (Cr-Mo) for exceptional strength and durability
- Off-corner loading design reduces fastener rounding
- Black oxide finish to resist corrosion
- High-visibility laser-etched markings provide quick size identification
- Secondary hard stamped size markings
- Meets or exceeds ASME specifications



Cat. No.	SAE/Metric	Fastener Size	Dim. A: Drive End	Dim. B: Wrench End	Dim. C: Overall Length	Dim. D: Bolt Clearance	Dim. E: Wrench Depth	Dim. F: Length to Shoulder	Product Weight
84322N	SAE	5/16 in	0.701 in	0.504 in	2.441 in	0.276 in	0.472 in	1.181 in	0.13 lb
84323N	SAE	3/8 in	0.701 in	0.591 in	2.48 in	0.335 in	0.748 in	1.181 in	0.15 lb
84324N	SAE	7/16 in	0.701 in	0.677 in	2.48 in	0.335 in	0.748 in	1.181 in	0.16 lb
84325N	SAE	1/2 in	0.78 in	0.78 in	2.48 in	0.374 in	0.906 in	2.48 in	0.21 lb
84326N	SAE	9/16 in	0.858 in	0.858 in	2.48 in	0.433 in	0.906 in	2.48 in	0.25 lb
84327N	SAE	5/8 in	0.937 in	0.937 in	2.48 in	0.472 in	0.906 in	2.48 in	0.30 lb
84328N	SAE	11/16 in	1.016 in	1.016 in	2.48 in	0.488 in	0.906 in	2.48 in	0.37 lb
84329N	SAE	3/4 in	1.055 in	1.055 in	2.48 in	0.591 in	0.906 in	2.48 in	0.37 lb
84428N	SAE	13/16 in	1.173 in	1.173 in	2.48 in	0.63 in	0.906 in	2.48 in	0.51 lb
84429N	SAE	7/8 in	1.252 in	1.252 in	2.48 in	0.669 in	0.906 in	2.48 in	0.57 lb
84430N	SAE	15/16 in	1.331 in	1.331 in	2.48 in	0.689 in	0.906 in	2.48 in	0.65 lb
84431N	SAE	1 in	1.409 in	1.409 in	2.48 in	0.689 in	0.906 in	2.48 in	0.75 lb
84331N	Metric	8 mm	0.701 in	0.535 in	2.441 in	0.276 in	0.472 in	1.181 in	0.14 lb
84332N	Metric	9 mm	0.701 in	0.575 in	2.48 in	0.335 in	0.472 in	1.181 in	0.14 lb
84333N	Metric	10 mm	0.701 in	0.626 in	2.48 in	0.335 in	0.748 in	1.181 in	0.15 lb
84334N	Metric	11 mm	0.701 in	0.677 in	2.48 in	0.335 in	0.748 in	1.181 in	0.16 lb
84335N	Metric	12 mm	0.74 in	0.74 in	2.48 in	0.374 in	0.906 in	2.48 in	0.19 lb
84336N	Metric	13 mm	0.78 in	0.78 in	2.48 in	0.374 in	0.906 in	2.48 in	0.21 lb
84337N	Metric	14 mm	0.858 in	0.858 in	2.48 in	0.433 in	0.906 in	2.48 in	0.25 lb
84338N	Metric	15 mm	0.858 in	0.858 in	2.48 in	0.433 in	0.906 in	2.48 in	0.24 lb
84339N	Metric	16 mm	0.937 in	0.937 in	2.48 in	0.472 in	0.906 in	2.48 in	0.32 lb
84340N	Metric	17 mm	0.937 in	0.937 in	2.48 in	0.488 in	0.906 in	2.48 in	0.33 lb
84341N	Metric	18 mm	1.016 in	1.016 in	2.48 in	0.488 in	0.906 in	2.48 in	0.37 lb
84342N	Metric	19 mm	1.055 in	1.055 in	2.48 in	0.591 in	0.906 in	2.48 in	0.37 lb
84343N	Metric	21 mm	1.173 in	1.173 in	2.48 in	0.63 in	0.906 in	2.48 in	0.48 lb
84344N	Metric	22 mm	1.252 in	1.252 in	2.48 in	0.669 in	0.906 in	2.48 in	0.58 lb

### 3/8" Drive Impact Hex Bit Sockets

- Chrome molybdenum alloy steel (Cr-Mo) for exceptional strength and durability
- Pin hole can be used with pin and o-ring for secure socket retention
- Manganese phosphate finish to resist corrosion
- High-visibility laser-etched markings provide quick size identification
- Secondary hard stamped size markings
- Meets or exceeds ASME specifications



Cat. No.	SAE/Metric	Fastener Size	Dim. A: Drive End	Dim. C: Overall Length	Dim. D: Bit Length	Product Weight
84397	SAE	3/16 in	.86 in	2.36 in	.77 in	0.14 lb
84398	SAE	7/32 in	.86 in	2.36 in	.77 in	0.14 lb
84399	SAE	1/4 in	.86 in	2.36 in	.77 in	0.15 lb
84400D	SAE	5/16 in	.86 in	2.36 in	.77 in	0.16 lb
84401	SAE	3/8 in	.86 in	2.36 in	.77 in	0.18 lb
84402	SAE	7/16 in	.86 in	2.36 in	.77 in	0.20 lb
84403	SAE	1/2 in	.86 in	2.36 in	.77 in	0.22 lb
84389	Metric	4 mm	.86 in	2.36 in	.77 in	0.14 lb
84390	Metric	5 mm	.86 in	2.36 in	.77 in	0.14 lb
84391	Metric	6 mm	.86 in	2.36 in	.77 in	0.15 lb
84392	Metric	7 mm	.86 in	2.36 in	.77 in	0.15 lb
84393	Metric	8 mm	.86 in	2.36 in	.77 in	0.16 lb
84394	Metric	10 mm	.86 in	2.36 in	.77 in	0.20 lb
84395	Metric	12 mm	.86 in	2.36 in	.77 in	0.30 lb

### 3/8" Drive 6 Point X-Core™ Pinless Universal Impact Socket

- X-Core™ pinless joint design is 4x more durable than pinned products for increased strength
- 30° maximum operating flex angle
- Smooth 360° rotation for easier access
- Off-corner loading reduces fastener rounding
- Chrome molybdenum alloy steel (Cr-Mo) for exceptional strength and durability
- Black oxide finish to resist corrosion
- High-visibility laser etched markings provide quick size identification
- Meets or exceeds ASME specifications



**X-CORE  
PINLESS**



Cat. No.	SAE/Metric	Fastener Size	Dim. A: Drive End	Dim. B: Wrench End	Dim. C: Overall Length	Dim. E: Wrench Depth	Dim. F: Length to Shoulder	Product Weight
84480	SAE	3/8 in	0.988 in	0.563 in	2.157 in	0.39 in	0.686 in	0.240 lb
84481	SAE	7/16 in	0.988 in	0.661 in	2.181 in	0.504 in	0.617 in	0.250 lb
84482	SAE	1/2 in	0.988 in	0.764 in	2.181 in	0.504 in	0.608 in	0.260 lb
84483	SAE	9/16 in	0.988 in	0.835 in	2.197 in	0.504 in	0.638 in	0.280 lb
84484	SAE	5/8 in	0.988 in	0.906 in	2.197 in	0.504 in	0.632 in	0.280 lb
84485	SAE	11/16 in	0.988 in	0.965 in	2.197 in	0.504 in	0.633 in	0.300 lb
84486	SAE	3/4 in	0.988 in	1.063 in	2.197 in	0.504 in	0.639 in	0.290 lb
84458	Metric	8 mm	0.988 in	0.535 in	2.157 in	0.39 in	0.588 in	0.230 lb
84460	Metric	10 mm	0.988 in	0.61 in	2.157 in	0.504 in	0.627 in	0.250 lb
84461	Metric	11 mm	0.988 in	0.661 in	2.181 in	0.504 in	0.617 in	0.250 lb
84462	Metric	12 mm	0.988 in	0.717 in	2.181 in	0.504 in	0.611 in	0.250 lb
84463	Metric	13 mm	0.988 in	0.764 in	2.181 in	0.504 in	0.608 in	0.250 lb
84464	Metric	14 mm	0.988 in	0.835 in	2.197 in	0.504 in	0.638 in	0.280 lb
84465	Metric	15 mm	0.988 in	0.866 in	2.197 in	0.504 in	0.649 in	0.290 lb
84466	Metric	16 mm	0.988 in	0.906 in	2.197 in	0.504 in	0.632 in	0.280 lb
84467	Metric	17 mm	0.988 in	0.965 in	2.197 in	0.504 in	0.636 in	0.290 lb
84468	Metric	18 mm	0.988 in	1.004 in	2.197 in	0.504 in	0.636 in	0.280 lb
84469	Metric	19 mm	0.988 in	1.063 in	2.197 in	0.504 in	0.639 in	0.290 lb
84471	Metric	21 mm	0.988 in	1.173 in	2.197 in	0.504 in	0.646 in	0.310 lb
84472	Metric	22 mm	0.988 in	1.213 in	2.197 in	0.504 in	0.653 in	0.340 lb
84474	Metric	24 mm	0.988 in	1.291 in	2.197 in	0.504 in	0.653 in	0.350 lb

### 3/8" Drive 6 Point Universal Impact Sockets

- Chrome molybdenum alloy steel (Cr-Mo) for exceptional strength and durability
- Off-corner loading design reduces fastener rounding
- Black oxide finish to resist corrosion
- High-visibility laser-etched markings provide quick size identification
- Secondary hard stamped size markings
- Meets or exceeds ASME specifications



Cat. No.	SAE/Metric	Fastener Size	Dim. A: Drive End	Dim. B: Wrench End	Dim. C: Overall Length	Dim. E: Wrench Depth	Dim. F: Length to Shoulder	Product Weight
84345N	SAE	5/16 in	0.866 in	0.551 in	2.126 in	0.315 in	0.669 in	0.21 lb
84346N	SAE	3/8 in	0.866 in	0.591 in	2.126 in	0.315 in	0.669 in	0.21 lb
84347N	SAE	7/16 in	0.866 in	0.669 in	2.126 in	0.354 in	0.669 in	0.22 lb
84348N	SAE	1/2 in	0.866 in	0.748 in	2.126 in	0.472 in	0.669 in	0.22 lb
84349N	SAE	9/16 in	0.866 in	0.827 in	2.126 in	0.512 in	0.669 in	0.22 lb
84350N	SAE	5/8 in	0.866 in	0.906 in	2.126 in	0.512 in	0.669 in	0.23 lb
84351N	SAE	11/16 in	0.866 in	0.984 in	2.126 in	0.512 in	0.669 in	0.25 lb
84352N	SAE	3/4 in	0.866 in	1.063 in	2.126 in	0.512 in	0.669 in	0.26 lb
84354N	Metric	8 mm	0.866 in	0.866 in	2.165 in	0.315 in	0.669 in	0.21 lb
84355N	Metric	9 mm	0.866 in	0.866 in	2.126 in	0.315 in	0.669 in	0.21 lb
84356N	Metric	10 mm	0.866 in	0.866 in	2.126 in	0.354 in	0.669 in	0.21 lb
84357N	Metric	11 mm	0.866 in	0.866 in	2.126 in	0.354 in	0.669 in	0.22 lb
84358N	Metric	12 mm	0.866 in	0.866 in	2.126 in	0.472 in	0.669 in	0.22 lb
84359N	Metric	13 mm	0.866 in	0.866 in	2.126 in	0.472 in	0.669 in	0.22 lb
84360N	Metric	14 mm	0.866 in	0.866 in	2.126 in	0.512 in	0.669 in	0.24 lb
84361N	Metric	15 mm	0.866 in	0.866 in	2.126 in	0.512 in	0.669 in	0.23 lb
84362N	Metric	16 mm	0.866 in	0.866 in	2.126 in	0.512 in	0.669 in	0.25 lb
84363N	Metric	17 mm	0.866 in	0.866 in	2.126 in	0.512 in	0.669 in	0.26 lb
84364N	Metric	18 mm	0.866 in	0.866 in	2.126 in	0.512 in	0.669 in	0.25 lb
84365N	Metric	19 mm	0.866 in	0.866 in	2.126 in	0.512 in	0.669 in	0.27 lb
84366N	Metric	20 mm	0.866 in	0.866 in	2.126 in	0.512 in	0.669 in	0.27 lb
84367N	Metric	21 mm	0.866 in	0.866 in	2.126 in	0.512 in	0.669 in	0.29 lb
84368N	Metric	22 mm	0.866 in	0.866 in	2.126 in	0.512 in	0.669 in	0.31 lb



### 3/8" Drive 6 Point Deep Universal Impact Sockets

- Chrome molybdenum alloy steel (Cr-Mo) for exceptional strength and durability
- Off-corner loading design reduces fastener rounding
- Black oxide finish to resist corrosion
- High-visibility laser-etched markings provide quick size identification
- Secondary hard stamped size markings
- Meets or exceeds ASME specifications



Cat. No.	SAE/Metric	Fastener Size	Dim. A: Drive End	Dim. B: Wrench End	Dim. C: Overall Length	Dim. E: Wrench Depth	Dim. F: Length to Shoulder	Product Weight
84369N	SAE	3/8 in	0.866 in	0.591 in	3.15 in	0.787 in	1.654 in	0.26 lb
84370N	SAE	7/16 in	0.866 in	0.669 in	3.15 in	0.787 in	1.654 in	0.28 lb
84371N	SAE	1/2 in	0.866 in	0.748 in	3.15 in	0.787 in	1.654 in	0.29 lb
84372N	SAE	9/16 in	0.866 in	0.827 in	3.15 in	0.787 in	1.654 in	0.32 lb
84373N	SAE	5/8 in	0.866 in	0.906 in	3.15 in	0.787 in	1.654 in	0.34 lb
84374N	SAE	11/16 in	0.866 in	0.984 in	3.15 in	0.787 in	1.654 in	0.37 lb
84375N	SAE	3/4 in	0.866 in	1.063 in	3.15 in	0.984 in	1.654 in	0.39 lb
84376N	Metric	10 mm	0.866 in	0.591 in	3.15 in	0.787 in	1.654 in	0.25 lb
84377N	Metric	11 mm	0.866 in	0.669 in	3.15 in	0.787 in	1.654 in	0.28 lb
84378N	Metric	12 mm	0.866 in	0.748 in	3.15 in	0.787 in	1.654 in	0.31 lb
84379N	Metric	13 mm	0.866 in	0.748 in	3.15 in	0.787 in	1.654 in	0.29 lb
84380N	Metric	14 mm	0.866 in	0.827 in	3.15 in	0.787 in	1.654 in	0.34 lb
84381N	Metric	15 mm	0.866 in	0.866 in	3.15 in	0.787 in	1.654 in	0.34 lb
84382N	Metric	16 mm	0.866 in	0.866 in	3.15 in	0.787 in	1.654 in	0.36 lb
84383N	Metric	17 mm	0.866 in	0.984 in	3.15 in	0.787 in	1.654 in	0.38 lb
84384N	Metric	18 mm	0.866 in	0.984 in	3.15 in	0.787 in	1.654 in	0.36 lb
84385N	Metric	19 mm	0.866 in	1.063 in	3.15 in	0.984 in	1.654 in	0.39 lb

### 39 Pc. 1/2" Drive 6 Point SAE Standard & Deep Impact Socket Set

- Chrome molybdenum alloy steel (Cr-Mo) for exceptional strength and durability
- Off-corner loading design reduces fastener rounding
- Black oxide finish to resist corrosion
- High-visibility laser-etched markings provide quick size identification
- Secondary hard stamped size markings
- Meets or exceeds ASME specifications
- Includes blow mold case for storage and organization



Cat. No.	Included Storage	Product Weight
84947N	Blow Mold Case	30.06 lb



Cat. No.	Description	Cat. No.	Description
84500N	1/2" Drive 6 Point Standard Impact SAE Socket 3/8"	84547N	1/2" Drive 6 Point Deep Impact SAE Socket 7/16"
84501N	1/2" Drive 6 Point Standard Impact SAE Socket 7/16"	84548N	1/2" Drive 6 Point Deep Impact SAE Socket 1/2"
84502N	1/2" Drive 6 Point Standard Impact SAE Socket 1/2"	84549N	1/2" Drive 6 Point Deep Impact SAE Socket 9/16"
84503N	1/2" Drive 6 Point Standard Impact SAE Socket 9/16"	84550N	1/2" Drive 6 Point Deep Impact SAE Socket 5/8"
84504N	1/2" Drive 6 Point Standard Impact SAE Socket 5/8"	84551N	1/2" Drive 6 Point Deep Impact SAE Socket 11/16"
84505N	1/2" Drive 6 Point Standard Impact SAE Socket 11/16"	84552N	1/2" Drive 6 Point Deep Impact SAE Socket 3/4"
84506N	1/2" Drive 6 Point Standard Impact SAE Socket 3/4"	84553N	1/2" Drive 6 Point Deep Impact SAE Socket 13/16"
84507N	1/2" Drive 6 Point Standard Impact SAE Socket 13/16"	84554N	1/2" Drive 6 Point Deep Impact SAE Socket 7/8"
84508N	1/2" Drive 6 Point Standard Impact SAE Socket 7/8"	84555N	1/2" Drive 6 Point Deep Impact SAE Socket 15/16"
84509N	1/2" Drive 6 Point Standard Impact SAE Socket 15/16"	84556N	1/2" Drive 6 Point Deep Impact SAE Socket 1"
84510N	1/2" Drive 6 Point Standard Impact SAE Socket 1"	84557N	1/2" Drive 6 Point Deep Impact SAE Socket 1-1/16"
84511N	1/2" Drive 6 Point Standard Impact SAE Socket 1-1/16"	84558N	1/2" Drive 6 Point Deep Impact SAE Socket 1-1/8"
84512N	1/2" Drive 6 Point Standard Impact SAE Socket 1-1/8"	84559N	1/2" Drive 6 Point Deep Impact SAE Socket 1-3/16"
84513N	1/2" Drive 6 Point Standard Impact SAE Socket 1-3/16"	84560N	1/2" Drive 6 Point Deep Impact SAE Socket 1-1/4"
84514N	1/2" Drive 6 Point Standard Impact SAE Socket 1-1/4"	84561N	1/2" Drive 6 Point Deep Impact SAE Socket 1-5/16"
84515N	1/2" Drive 6 Point Standard Impact SAE Socket 1-5/16"	84562N	1/2" Drive 6 Point Deep Impact SAE Socket 1-3/8"
84516N	1/2" Drive 6 Point Standard Impact SAE Socket 1-3/8"	84563N	1/2" Drive 6 Point Deep Impact SAE Socket 1-7/16"
84517N	1/2" Drive 6 Point Standard Impact SAE Socket 1-7/16"	84564N	1/2" Drive 6 Point Deep Impact SAE Socket 1-1/2"
84518N	1/2" Drive 6 Point Standard Impact SAE Socket 1-1/2"	80671N	1/2" Drive Impact Universal Joint
84546N	1/2" Drive 6 Point Deep Impact SAE Socket 3/8"		

### 39 Pc. 1/2" Drive 6 Point Metric Standard & Deep Impact Socket Set

- Chrome molybdenum alloy steel (Cr-Mo) for exceptional strength and durability
- Off-corner loading design reduces fastener rounding
- Black oxide finish to resist corrosion
- High-visibility laser-etched markings provide quick size identification
- Secondary hard stamped size markings
- Meets or exceeds ASME specifications
- Includes blow mold case for storage and organization



Cat. No.	Included Storage	Product Weight
84948N	Blow Mold Case	23.43 lb



Cat. No.	Description	Cat. No.	Description
84521N	1/2" Drive 6 Point Standard Impact Metric Socket 9mm	84568N	1/2" Drive 6 Point Deep Impact Metric Socket 10mm
84522N	1/2" Drive 6 Point Standard Impact Metric Socket 10mm	84569N	1/2" Drive 6 Point Deep Impact Metric Socket 11mm
84523N	1/2" Drive 6 Point Standard Impact Metric Socket 11mm	84570N	1/2" Drive 6 Point Deep Impact Metric Socket 12mm
84524N	1/2" Drive 6 Point Standard Impact Metric Socket 12mm	84571N	1/2" Drive 6 Point Deep Impact Metric Socket 13mm
84525N	1/2" Drive 6 Point Standard Impact Metric Socket 13mm	84572N	1/2" Drive 6 Point Deep Impact Metric Socket 14mm
84526N	1/2" Drive 6 Point Standard Impact Metric Socket 14mm	84573N	1/2" Drive 6 Point Deep Impact Metric Socket 15mm
84527N	1/2" Drive 6 Point Standard Impact Metric Socket 15mm	84574N	1/2" Drive 6 Point Deep Impact Metric Socket 16mm
84528N	1/2" Drive 6 Point Standard Impact Metric Socket 16mm	84575N	1/2" Drive 6 Point Deep Impact Metric Socket 17mm
84529N	1/2" Drive 6 Point Standard Impact Metric Socket 17mm	84576N	1/2" Drive 6 Point Deep Impact Metric Socket 18mm
84530N	1/2" Drive 6 Point Standard Impact Metric Socket 18mm	84577N	1/2" Drive 6 Point Deep Impact Metric Socket 19mm
84531N	1/2" Drive 6 Point Standard Impact Metric Socket 19mm	84578N	1/2" Drive 6 Point Deep Impact Metric Socket 20mm
84532N	1/2" Drive 6 Point Standard Impact Metric Socket 20mm	84579N	1/2" Drive 6 Point Deep Impact Metric Socket 21mm
84533N	1/2" Drive 6 Point Standard Impact Metric Socket 21mm	84580N	1/2" Drive 6 Point Deep Impact Metric Socket 22mm
84534N	1/2" Drive 6 Point Standard Impact Metric Socket 22mm	84581N	1/2" Drive 6 Point Deep Impact Metric Socket 23mm
84535N	1/2" Drive 6 Point Standard Impact Metric Socket 23mm	84582N	1/2" Drive 6 Point Deep Impact Metric Socket 24mm
84536N	1/2" Drive 6 Point Standard Impact Metric Socket 24mm	84584N	1/2" Drive 6 Point Deep Impact Metric Socket 26mm
84538N	1/2" Drive 6 Point Standard Impact Metric Socket 26mm	84585N	1/2" Drive 6 Point Deep Impact Metric Socket 27mm
84545N	1/2" Drive 6 Point Standard Impact Metric Socket 27mm	84588N	1/2" Drive 6 Point Deep Impact Metric Socket 30mm
84541N	1/2" Drive 6 Point Standard Impact Metric Socket 30mm	80671N	1/2" Drive Impact Universal Joint
84567N	1/2" Drive 6 Point Deep Impact Metric Socket 9mm		

### 27 Pc. 1/2" Drive 6 Point SAE/Metric Deep Impact Socket Set

- Chrome molybdenum alloy steel (Cr-Mo) for exceptional strength and durability
- Off-corner loading design reduces fastener rounding
- Black oxide finish to resist corrosion
- High-visibility laser-etched markings provide quick size identification
- Secondary hard stamped size markings
- Meets or exceeds ASME specifications
- Includes blow mold case for storage and organization



Cat. No.	Included Storage	Product Weight
84949N	Blow Mold Case	21.00 lb



Cat. No.	Description	Cat. No.	Description
84547N	1/2" Drive 6 Point Deep Impact SAE Socket 7/16"	84569N	1/2" Drive 6 Point Deep Impact Metric Socket 11mm
84548N	1/2" Drive 6 Point Deep Impact SAE Socket 1/2"	84570N	1/2" Drive 6 Point Deep Impact Metric Socket 12mm
84549N	1/2" Drive 6 Point Deep Impact SAE Socket 9/16"	84571N	1/2" Drive 6 Point Deep Impact Metric Socket 13mm
84550N	1/2" Drive 6 Point Deep Impact SAE Socket 5/8"	84572N	1/2" Drive 6 Point Deep Impact Metric Socket 14mm
84551N	1/2" Drive 6 Point Deep Impact SAE Socket 11/16"	84573N	1/2" Drive 6 Point Deep Impact Metric Socket 15mm
84552N	1/2" Drive 6 Point Deep Impact SAE Socket 3/4"	84574N	1/2" Drive 6 Point Deep Impact Metric Socket 16mm
84553N	1/2" Drive 6 Point Deep Impact SAE Socket 13/16"	84575N	1/2" Drive 6 Point Deep Impact Metric Socket 17mm
84554N	1/2" Drive 6 Point Deep Impact SAE Socket 7/8"	84576N	1/2" Drive 6 Point Deep Impact Metric Socket 18mm
84555N	1/2" Drive 6 Point Deep Impact SAE Socket 15/16"	84577N	1/2" Drive 6 Point Deep Impact Metric Socket 19mm
84556N	1/2" Drive 6 Point Deep Impact SAE Socket 1"	84579N	1/2" Drive 6 Point Deep Impact Metric Socket 21mm
84557N	1/2" Drive 6 Point Deep Impact SAE Socket 1-1/16"	84580N	1/2" Drive 6 Point Deep Impact Metric Socket 22mm
84558N	1/2" Drive 6 Point Deep Impact SAE Socket 1-1/8"	84584N	1/2" Drive 6 Point Deep Impact Metric Socket 26mm
84560N	1/2" Drive 6 Point Deep Impact SAE Socket 1-1/4"	84585N	1/2" Drive 6 Point Deep Impact Metric Socket 27mm
84568N	1/2" Drive 6 Point Deep Impact Metric Socket 10mm		

### 19 Pc. 1/2" Drive 6 Point SAE Impact Socket Set

- Chrome molybdenum alloy steel (Cr-Mo) for exceptional strength and durability
- Off-corner loading design reduces fastener rounding
- Black oxide finish to resist corrosion
- High-visibility laser-etched markings provide quick size identification
- Secondary hard stamped size markings
- Meets or exceeds ASME specifications
- Includes blow mold case for storage and organization



Cat. No.	Included Storage	Product Weight
84932N	Blow Mold Case	10.39 lb



Cat. No.	Description	Cat. No.	Description
84500N	1/2" Drive 6 Point Standard Impact SAE Socket 3/8"	84510N	1/2" Drive 6 Point Standard Impact SAE Socket 1"
84501N	1/2" Drive 6 Point Standard Impact SAE Socket 7/16"	84511N	1/2" Drive 6 Point Standard Impact SAE Socket 1-1/16"
84502N	1/2" Drive 6 Point Standard Impact SAE Socket 1/2"	84512N	1/2" Drive 6 Point Standard Impact SAE Socket 1-1/8"
84503N	1/2" Drive 6 Point Standard Impact SAE Socket 9/16"	84513N	1/2" Drive 6 Point Standard Impact SAE Socket 1-3/16"
84504N	1/2" Drive 6 Point Standard Impact SAE Socket 5/8"	84514N	1/2" Drive 6 Point Standard Impact SAE Socket 1-1/4"
84505N	1/2" Drive 6 Point Standard Impact SAE Socket 11/16"	84515N	1/2" Drive 6 Point Standard Impact SAE Socket 1-5/16"
84506N	1/2" Drive 6 Point Standard Impact SAE Socket 3/4"	84516N	1/2" Drive 6 Point Standard Impact SAE Socket 1-3/8"
84507N	1/2" Drive 6 Point Standard Impact SAE Socket 13/16"	84517N	1/2" Drive 6 Point Standard Impact SAE Socket 1-7/16"
84508N	1/2" Drive 6 Point Standard Impact SAE Socket 7/8"	84518N	1/2" Drive 6 Point Standard Impact SAE Socket 1-1/2"
84509N	1/2" Drive 6 Point Standard Impact SAE Socket 15/16"		

### 12 Pc. 1/2" Drive 6 Point SAE Impact Socket Set

- Chrome molybdenum alloy steel (Cr-Mo) for exceptional strength and durability
- Off-corner loading design reduces fastener rounding
- Black oxide finish to resist corrosion
- High-visibility laser-etched markings provide quick size identification
- Secondary hard stamped size markings
- Meets or exceeds ASME specifications
- Includes blow mold case for storage and organization



Cat. No.	Included Storage	Product Weight
84931N	Blow Mold Case	3.91 lb



Cat. No.	Description	Cat. No.	Description
84500N	1/2" Drive 6 Point Standard Impact SAE Socket 3/8"	84506N	1/2" Drive 6 Point Standard Impact SAE Socket 3/4"
84501N	1/2" Drive 6 Point Standard Impact SAE Socket 7/16"	84507N	1/2" Drive 6 Point Standard Impact SAE Socket 13/16"
84502N	1/2" Drive 6 Point Standard Impact SAE Socket 1/2"	84508N	1/2" Drive 6 Point Standard Impact SAE Socket 7/8"
84503N	1/2" Drive 6 Point Standard Impact SAE Socket 9/16"	84509N	1/2" Drive 6 Point Standard Impact SAE Socket 15/16"
84504N	1/2" Drive 6 Point Standard Impact SAE Socket 5/8"	84510N	1/2" Drive 6 Point Standard Impact SAE Socket 1"
84505N	1/2" Drive 6 Point Standard Impact SAE Socket 11/16"	84511N	1/2" Drive 6 Point Standard Impact SAE Socket 1-1/16"

### 25 Pc. 1/2" Drive 6 Point Metric Impact Socket Set

- Chrome molybdenum alloy steel (Cr-Mo) for exceptional strength and durability
- Off-corner loading design reduces fastener rounding
- Black oxide finish to resist corrosion
- High-visibility laser-etched markings provide quick size identification
- Secondary hard stamped size markings
- Meets or exceeds ASME specifications
- Includes blow mold case for storage and organization



Cat. No.	Included Storage	Product Weight
84933N	Blow Mold Case	11.27 lb



Cat. No.	Description	Cat. No.	Description
84520N	1/2" Drive 6 Point Standard Impact Metric Socket 8mm	84533N	1/2" Drive 6 Point Standard Impact Metric Socket 21mm
84521N	1/2" Drive 6 Point Standard Impact Metric Socket 9mm	84534N	1/2" Drive 6 Point Standard Impact Metric Socket 22mm
84522N	1/2" Drive 6 Point Standard Impact Metric Socket 10mm	84535N	1/2" Drive 6 Point Standard Impact Metric Socket 23mm
84523N	1/2" Drive 6 Point Standard Impact Metric Socket 11mm	84536N	1/2" Drive 6 Point Standard Impact Metric Socket 24mm
84524N	1/2" Drive 6 Point Standard Impact Metric Socket 12mm	84537N	1/2" Drive 6 Point Standard Impact Metric Socket 25mm
84525N	1/2" Drive 6 Point Standard Impact Metric Socket 13mm	84538N	1/2" Drive 6 Point Standard Impact Metric Socket 26mm
84526N	1/2" Drive 6 Point Standard Impact Metric Socket 14mm	84539N	1/2" Drive 6 Point Standard Impact Metric Socket 28mm
84527N	1/2" Drive 6 Point Standard Impact Metric Socket 15mm	84540N	1/2" Drive 6 Point Standard Impact Metric Socket 29mm
84528N	1/2" Drive 6 Point Standard Impact Metric Socket 16mm	84541N	1/2" Drive 6 Point Standard Impact Metric Socket 30mm
84529N	1/2" Drive 6 Point Standard Impact Metric Socket 17mm	84542N	1/2" Drive 6 Point Standard Impact Metric Socket 31mm
84530N	1/2" Drive 6 Point Standard Impact Metric Socket 18mm	84543N	1/2" Drive 6 Point Standard Impact Metric Socket 32mm
84531N	1/2" Drive 6 Point Standard Impact Metric Socket 19mm	84544N	1/2" Drive 6 Point Standard Impact Metric Socket 36mm
84532N	1/2" Drive 6 Point Standard Impact Metric Socket 20mm		

### 12 Pc. 1/2" Drive 6 Point Metric Impact Socket Set

- Chrome molybdenum alloy steel (Cr-Mo) for exceptional strength and durability
- Off-corner loading design reduces fastener rounding
- Black oxide finish to resist corrosion
- High-visibility laser-etched markings provide quick size identification
- Secondary hard stamped size markings
- Meets or exceeds ASME specifications
- Includes blow mold case for storage and organization



Cat. No.	Included Storage	Product Weight
84930N	Blow Mold Case	3.25 lb

Cat. No.	Description	Cat. No.	Description
84520N	1/2" Drive 6 Point Standard Impact Metric Socket 8mm	84526N	1/2" Drive 6 Point Standard Impact Metric Socket 14mm
84521N	1/2" Drive 6 Point Standard Impact Metric Socket 9mm	84527N	1/2" Drive 6 Point Standard Impact Metric Socket 15mm
84522N	1/2" Drive 6 Point Standard Impact Metric Socket 10mm	84528N	1/2" Drive 6 Point Standard Impact Metric Socket 16mm
84523N	1/2" Drive 6 Point Standard Impact Metric Socket 11mm	84529N	1/2" Drive 6 Point Standard Impact Metric Socket 17mm
84524N	1/2" Drive 6 Point Standard Impact Metric Socket 12mm	84530N	1/2" Drive 6 Point Standard Impact Metric Socket 18mm
84525N	1/2" Drive 6 Point Standard Impact Metric Socket 13mm	84531N	1/2" Drive 6 Point Standard Impact Metric Socket 19mm

### 19 Pc. 1/2" Drive 6 Point SAE Deep Impact Socket Set

- Chrome molybdenum alloy steel (Cr-Mo) for exceptional strength and durability
- Off-corner loading design reduces fastener rounding
- Black oxide finish to resist corrosion
- High-visibility laser-etched markings provide quick size identification
- Secondary hard stamped size markings
- Meets or exceeds ASME specifications
- Includes blow mold case for storage and organization



Cat. No.	Included Storage	Product Weight
84934N	Blow Mold Case	20.77 lb

Cat. No.	Description	Cat. No.	Description
84546N	1/2" Drive 6 Point Deep Impact SAE Socket 3/8"	84556N	1/2" Drive 6 Point Deep Impact SAE Socket 1"
84547N	1/2" Drive 6 Point Deep Impact SAE Socket 7/16"	84557N	1/2" Drive 6 Point Deep Impact SAE Socket 1-1/16"
84548N	1/2" Drive 6 Point Deep Impact SAE Socket 1/2"	84558N	1/2" Drive 6 Point Deep Impact SAE Socket 1-1/8"
84549N	1/2" Drive 6 Point Deep Impact SAE Socket 9/16"	84559N	1/2" Drive 6 Point Deep Impact SAE Socket 1-3/16"
84550N	1/2" Drive 6 Point Deep Impact SAE Socket 5/8"	84560N	1/2" Drive 6 Point Deep Impact SAE Socket 1-1/4"
84551N	1/2" Drive 6 Point Deep Impact SAE Socket 11/16"	84561N	1/2" Drive 6 Point Deep Impact SAE Socket 1-5/16"
84552N	1/2" Drive 6 Point Deep Impact SAE Socket 3/4"	84562N	1/2" Drive 6 Point Deep Impact SAE Socket 1-3/8"
84553N	1/2" Drive 6 Point Deep Impact SAE Socket 13/16"	84563N	1/2" Drive 6 Point Deep Impact SAE Socket 1-7/16"
84554N	1/2" Drive 6 Point Deep Impact SAE Socket 7/8"	84564N	1/2" Drive 6 Point Deep Impact SAE Socket 1-1/2"
84555N	1/2" Drive 6 Point Deep Impact SAE Socket 15/16"		

### 12 Pc. 1/2" Drive 6 Point SAE Deep Impact Socket Set

- Chrome molybdenum alloy steel (Cr-Mo) for exceptional strength and durability
- Off-corner loading design reduces fastener rounding
- Black oxide finish to resist corrosion
- High-visibility laser-etched markings provide quick size identification
- Secondary hard stamped size markings
- Meets or exceeds ASME specifications
- Includes blow mold case for storage and organization



Cat. No.	Included Storage	Product Weight
84942N	Blow Mold Case	4.64 lb

Cat. No.	Description	Cat. No.	Description
84546N	1/2" Drive 6 Point Deep Impact SAE Socket 3/8"	84552N	1/2" Drive 6 Point Deep Impact SAE Socket 3/4"
84547N	1/2" Drive 6 Point Deep Impact SAE Socket 7/16"	84553N	1/2" Drive 6 Point Deep Impact SAE Socket 13/16"
84548N	1/2" Drive 6 Point Deep Impact SAE Socket 1/2"	84554N	1/2" Drive 6 Point Deep Impact SAE Socket 7/8"
84549N	1/2" Drive 6 Point Deep Impact SAE Socket 9/16"	84555N	1/2" Drive 6 Point Deep Impact SAE Socket 15/16"
84550N	1/2" Drive 6 Point Deep Impact SAE Socket 5/8"	84556N	1/2" Drive 6 Point Deep Impact SAE Socket 1"
84551N	1/2" Drive 6 Point Deep Impact SAE Socket 11/16"	84557N	1/2" Drive 6 Point Deep Impact SAE Socket 1-1/16"



### 29 Pc. 1/2" Drive 6 Point Metric Deep Impact Socket Set

- Chrome molybdenum alloy steel (Cr-Mo) for exceptional strength and durability
- Off-corner loading design reduces fastener rounding
- Black oxide finish to resist corrosion
- High-visibility laser-etched markings provide quick size identification
- Secondary hard stamped size markings
- Meets or exceeds ASME specifications
- Includes blow mold case for storage and organization



Cat. No.	Included Storage	Product Weight
84935N	Blow Mold Case	26.52 lb



Cat. No.	Description	Cat. No.	Description
84566N	1/2" Drive 6 Point Deep Impact Metric Socket 8mm	84581N	1/2" Drive 6 Point Deep Impact Metric Socket 23mm
84567N	1/2" Drive 6 Point Deep Impact Metric Socket 9mm	84582N	1/2" Drive 6 Point Deep Impact Metric Socket 24mm
84568N	1/2" Drive 6 Point Deep Impact Metric Socket 10mm	84583N	1/2" Drive 6 Point Deep Impact Metric Socket 25mm
84569N	1/2" Drive 6 Point Deep Impact Metric Socket 11mm	84584N	1/2" Drive 6 Point Deep Impact Metric Socket 26mm
84570N	1/2" Drive 6 Point Deep Impact Metric Socket 12mm	84585N	1/2" Drive 6 Point Deep Impact Metric Socket 27mm
84571N	1/2" Drive 6 Point Deep Impact Metric Socket 13mm	84586N	1/2" Drive 6 Point Deep Impact Metric Socket 28mm
84572N	1/2" Drive 6 Point Deep Impact Metric Socket 14mm	84587N	1/2" Drive 6 Point Deep Impact Metric Socket 29mm
84573N	1/2" Drive 6 Point Deep Impact Metric Socket 15mm	84588N	1/2" Drive 6 Point Deep Impact Metric Socket 30mm
84574N	1/2" Drive 6 Point Deep Impact Metric Socket 16mm	84589N	1/2" Drive 6 Point Deep Impact Metric Socket 31mm
84575N	1/2" Drive 6 Point Deep Impact Metric Socket 17mm	84590N	1/2" Drive 6 Point Deep Impact Metric Socket 32mm
84576N	1/2" Drive 6 Point Deep Impact Metric Socket 18mm	84591N	1/2" Drive 6 Point Deep Impact Metric Socket 33mm
84577N	1/2" Drive 6 Point Deep Impact Metric Socket 19mm	84592N	1/2" Drive 6 Point Deep Impact Metric Socket 34mm
84578N	1/2" Drive 6 Point Deep Impact Metric Socket 20mm	84593N	1/2" Drive 6 Point Deep Impact Metric Socket 35mm
84579N	1/2" Drive 6 Point Deep Impact Metric Socket 21mm	84594N	1/2" Drive 6 Point Deep Impact Metric Socket 36mm
84580N	1/2" Drive 6 Point Deep Impact Metric Socket 22mm		

### 14 Pc. 1/2" Drive 6 Point Metric Deep Impact Socket Set

- Chrome molybdenum alloy steel (Cr-Mo) for exceptional strength and durability
- Off-corner loading design reduces fastener rounding
- Black oxide finish to resist corrosion
- High-visibility laser-etched markings provide quick size identification
- Secondary hard stamped size markings
- Meets or exceeds ASME specifications
- Includes blow mold case for storage and organization



Cat. No.	Included Storage	Product Weight
84955N	Blow Mold Case	9.68 lb



Cat. No.	Description	Cat. No.	Description
84568N	1/2" Drive 6 Point Deep Impact Metric Socket 10mm	84575N	1/2" Drive 6 Point Deep Impact Metric Socket 17mm
84569N	1/2" Drive 6 Point Deep Impact Metric Socket 11mm	84576N	1/2" Drive 6 Point Deep Impact Metric Socket 18mm
84570N	1/2" Drive 6 Point Deep Impact Metric Socket 12mm	84577N	1/2" Drive 6 Point Deep Impact Metric Socket 19mm
84571N	1/2" Drive 6 Point Deep Impact Metric Socket 13mm	84579N	1/2" Drive 6 Point Deep Impact Metric Socket 21mm
84572N	1/2" Drive 6 Point Deep Impact Metric Socket 14mm	84580N	1/2" Drive 6 Point Deep Impact Metric Socket 22mm
84573N	1/2" Drive 6 Point Deep Impact Metric Socket 15mm	84584N	1/2" Drive 6 Point Deep Impact Metric Socket 26mm
84574N	1/2" Drive 6 Point Deep Impact Metric Socket 16mm	84585N	1/2" Drive 6 Point Deep Impact Metric Socket 27mm

### 3 Pc. Metric High-Strength Wheel Protector Impact Socket Set

- High-strength impact socket for up to 3x longer life than regular thin wall impact sockets
- Thin wall socket design for access in confined spaces
- Protective outer sheath prevents damage to wheels
- Manganese phosphate finish to resist corrosion
- Insert protects lug nuts and bolts from damage
- Includes sizes: 17mm, 19mm and 21mm
- Meets or exceeds ASME specifications



Cat. No.	Included Storage	Product Weight
84946	Blow Mold Case	1.75 lb



Cat. No.	Description
-	1/2" Drive 6 Point Wheel Protector Socket 17mm
-	1/2" Drive 6 Point Wheel Protector Socket 19mm
-	1/2" Drive 6 Point Wheel Protector Socket 21mm

### 7 Pc. 1/2" Drive SAE Impact Hex Bit Socket Set

- Chrome molybdenum alloy steel (Cr-Mo) for exceptional strength and durability
- Pin hole can be used with pin and o-ring for secure socket retention
- Manganese phosphate finish to resist corrosion
- High-visibility laser-etched markings provide quick size identification
- Secondary hard stamped size markings
- Meets or exceeds ASME specifications
- Includes social rail for storage and organization



Cat. No.	Included Storage	Product Weight
84941	Socket Rail	2.07 lb

SAE

Cat. No.	Description	Cat. No.	Description
84634	1/2" Drive Hex Bit Impact SAE Socket 3/8"	84638	1/2" Drive Hex Bit Impact SAE Socket 5/8"
84635	1/2" Drive Hex Bit Impact SAE Socket 7/16"	84639	1/2" Drive Hex Bit Impact SAE Socket 11/16"
84636	1/2" Drive Hex Bit Impact SAE Socket 1/2"	84640	1/2" Drive Hex Bit Impact SAE Socket 3/4"
84637	1/2" Drive Hex Bit Impact SAE Socket 9/16"		

IMPACT

### 7 Pc. 1/2" Drive Metric Impact Hex Bit Socket Set

- Chrome molybdenum alloy steel (Cr-Mo) for exceptional strength and durability
- Pin hole can be used with pin and o-ring for secure socket retention
- Manganese phosphate finish to resist corrosion
- High-visibility laser-etched markings provide quick size identification
- Secondary hard stamped size markings
- Meets or exceeds ASME specifications
- Includes social rail for storage and organization



Cat. No.	Included Storage	Product Weight
84940	Socket Rail	1.87 lb

mm

Cat. No.	Description	Cat. No.	Description
84626	1/2" Drive Hex Bit Impact Metric Socket 9mm	84630	1/2" Drive Hex Bit Impact Metric Socket 13mm
84627	1/2" Drive Hex Bit Impact Metric Socket 10mm	84631	1/2" Drive Hex Bit Impact Metric Socket 14mm
84628	1/2" Drive Hex Bit Impact Metric Socket 11mm	84632	1/2" Drive Hex Bit Impact Metric Socket 15mm
84629	1/2" Drive Hex Bit Impact Metric Socket 12mm		

### 9 Pc. 1/2" Drive 6 Point SAE X-Core™ Pinless Universal Impact Socket Set



- X-Core™ pinless joint design is 4x more durable than pinned products for increased strength
- 30° maximum operating flex angle
- Smooth 360° rotation for easier access
- Off-corner loading reduces fastener rounding
- Chrome molybdenum alloy steel (Cr-Mo) for exceptional strength and durability
- Black oxide finish to resist corrosion
- High-visibility laser-etched markings provide quick size identification
- Meets or exceeds ASME specifications
- Includes socket rail for storage and organization



Cat. No.	Included Storage	Product Weight
84978	Socket Rail	6.390 lb

SAE

Cat. No.	Description	Cat. No.	Description
84737	1/2" Drive 6 Point Standard X-Core™ Impact Universal SAE Socket 1/2"	84742	1/2" Drive 6 Point Standard X-Core™ Impact Universal SAE Socket 13/16"
84738	1/2" Drive 6 Point Standard X-Core™ Impact Universal SAE Socket 9/16"	84743	1/2" Drive 6 Point Standard X-Core™ Impact Universal SAE Socket 7/8"
84739	1/2" Drive 6 Point Standard X-Core™ Impact Universal SAE Socket 5/8"	84744	1/2" Drive 6 Point Standard X-Core™ Impact Universal SAE Socket 15/16"
84740	1/2" Drive 6 Point Standard X-Core™ Impact Universal SAE Socket 11/16"	84745	1/2" Drive 6 Point Standard X-Core™ Impact Universal SAE Socket 1"
84741	1/2" Drive 6 Point Standard X-Core™ Impact Universal SAE Socket 3/4"		

IMPACT

### 10 Pc. 1/2" Drive 6 Point Metric X-Core™ Pinless Universal Impact Socket Set



- X-Core™ pinless joint design is 4x more durable than pinned products for increased strength
- 30° maximum operating flex angle
- Smooth 360° rotation for easier access
- Off-corner loading reduces fastener rounding
- Chrome molybdenum alloy steel (Cr-Mo) for exceptional strength and durability
- Black oxide finish to resist corrosion
- High-visibility laser etched markings provide quick size identification
- Meets or exceeds ASME specifications
- Includes socket rail for storage and organization



Cat. No.	Included Storage	Product Weight
84979	Socket Rail	6.720 lb

mm

Cat. No.	Description	Cat. No.	Description
84723	1/2" Drive 6 Point Standard X-Core™ Impact Universal Metric Socket 13mm	84728	1/2" Drive 6 Point Standard X-Core™ Impact Universal Metric Socket 18mm
84724	1/2" Drive 6 Point Standard X-Core™ Impact Universal Metric Socket 14mm	84729	1/2" Drive 6 Point Standard X-Core™ Impact Universal Metric Socket 19mm
84725	1/2" Drive 6 Point Standard X-Core™ Impact Universal Metric Socket 15mm	84731	1/2" Drive 6 Point Standard X-Core™ Impact Universal Metric Socket 21mm
84726	1/2" Drive 6 Point Standard X-Core™ Impact Universal Metric Socket 16mm	84732	1/2" Drive 6 Point Standard X-Core™ Impact Universal Metric Socket 22mm
84727	1/2" Drive 6 Point Standard X-Core™ Impact Universal Metric Socket 17mm	84734	1/2" Drive 6 Point Standard X-Core™ Impact Universal Metric Socket 24mm

### 13 Pc. 1/2" Drive 6 Point SAE Universal Impact Socket Set

- Flex socket design provides more access to fasteners in tight confines
- Chrome molybdenum alloy steel (Cr-Mo) for exceptional strength and durability
- Off-corner loading design for reduced fastener rounding
- Manganese phosphate finish to resist corrosion
- High-visibility laser etched markings provide quick size identification
- Hard stamped size markings
- Meets or exceeds ASME specifications
- Includes blow mold case for storage and organization



Cat. No.	Included Storage	Product Weight
84938N	Blow Mold Case	15.43 lb

Cat. No.	Description	Cat. No.	Description
84596N	1/2" Drive 6 Point Standard Universal Impact SAE Socket 1/2"	84603N	1/2" Drive 6 Point Standard Universal Impact SAE Socket 15/16"
84597N	1/2" Drive 6 Point Standard Universal Impact SAE Socket 9/16"	84604N	1/2" Drive 6 Point Standard Universal Impact SAE Socket 1"
84598N	1/2" Drive 6 Point Standard Universal Impact SAE Socket 5/8"	84605N	1/2" Drive 6 Point Standard Universal Impact SAE Socket 1-1/16"
84599N	1/2" Drive 6 Point Standard Universal Impact SAE Socket 11/16"	84606N	1/2" Drive 6 Point Standard Universal Impact SAE Socket 1-1/8"
84600N	1/2" Drive 6 Point Standard Universal Impact SAE Socket 3/4"	84607N	1/2" Drive 6 Point Standard Universal Impact SAE Socket 1-3/16"
84601N	1/2" Drive 6 Point Standard Universal Impact SAE Socket 13/16"	84608N	1/2" Drive 6 Point Standard Universal Impact SAE Socket 1-1/4"
84602N	1/2" Drive 6 Point Standard Universal Impact SAE Socket 7/8"		

### 15 Pc. 1/2" Drive 6 Point Metric Universal Impact Socket Set

- Flex socket design provides more access to fasteners in tight confines
- Chrome molybdenum alloy steel (Cr-Mo) for exceptional strength and durability
- Off-corner loading design for reduced fastener rounding
- Manganese phosphate finish to resist corrosion
- High-visibility laser etched markings provide quick size identification
- Hard stamped size markings
- Meets or exceeds ASME specifications
- Includes blow mold case for storage and organization



Cat. No.	Included Storage	Product Weight
84939N	Blow Mold Case	10.47 lb

Cat. No.	Description	Cat. No.	Description
84610N	1/2" Drive 6 Point Standard Universal Impact Metric Socket 10mm	84618N	1/2" Drive 6 Point Standard Universal Impact Metric Socket 18mm
84611N	1/2" Drive 6 Point Standard Universal Impact Metric Socket 11mm	84619N	1/2" Drive 6 Point Standard Universal Impact Metric Socket 19mm
84612N	1/2" Drive 6 Point Standard Universal Impact Metric Socket 12mm	84620N	1/2" Drive 6 Point Standard Universal Impact Metric Socket 20mm
84613N	1/2" Drive 6 Point Standard Universal Impact Metric Socket 13mm	84621N	1/2" Drive 6 Point Standard Universal Impact Metric Socket 21mm
84614N	1/2" Drive 6 Point Standard Universal Impact Metric Socket 14mm	84622N	1/2" Drive 6 Point Standard Universal Impact Metric Socket 22mm
84615N	1/2" Drive 6 Point Standard Universal Impact Metric Socket 15mm	84623N	1/2" Drive 6 Point Standard Universal Impact Metric Socket 23mm
84616N	1/2" Drive 6 Point Standard Universal Impact Metric Socket 16mm	84624N	1/2" Drive 6 Point Standard Universal Impact Metric Socket 24mm
84617N	1/2" Drive 6 Point Standard Universal Impact Metric Socket 17mm		

### 10 Pc. 1/2" Drive 6 Point SAE Deep Universal Impact Socket Set

- Deep flex socket design provides more access to fasteners in tight confines
- Chrome molybdenum alloy steel (Cr-Mo) for exceptional strength and durability
- Off-corner loading design for reduced fastener rounding
- Manganese phosphate finish to resist corrosion
- High-visibility laser etched markings provide quick size identification
- Hard stamped size markings
- Meets or exceeds ASME specifications
- Includes blow mold case for storage and organization



Cat. No.	Included Storage	Product Weight
84943N	Blow Mold Case	9.92 lb

Cat. No.	Description	Cat. No.	Description
84692N	1/2" Drive 6 Point Deep Universal Impact SAE Socket 3/8"	84697N	1/2" Drive 6 Point Deep Universal Impact SAE Socket 11/16"
84693N	1/2" Drive 6 Point Deep Universal Impact SAE Socket 7/16"	84698N	1/2" Drive 6 Point Deep Universal Impact SAE Socket 3/4"
84694N	1/2" Drive 6 Point Deep Universal Impact SAE Socket 1/2"	84699N	1/2" Drive 6 Point Deep Universal Impact SAE Socket 13/16"
84695N	1/2" Drive 6 Point Deep Universal Impact SAE Socket 9/16"	84700N	1/2" Drive 6 Point Deep Universal Impact SAE Socket 7/8"
84696N	1/2" Drive 6 Point Deep Universal Impact SAE Socket 5/8"	84701N	1/2" Drive 6 Point Deep Universal Impact SAE Socket 15/16"

### 10 Pc. 1/2" Drive 6 Point Metric Deep Universal Impact Socket Set

- Deep flex socket design provides more access to fasteners in tight confines
- Chrome molybdenum alloy steel (Cr-Mo) for exceptional strength and durability
- Off-corner loading design for reduced fastener rounding
- Manganese phosphate finish to resist corrosion
- High-visibility laser etched markings provide quick size identification
- Hard stamped size markings
- Meets or exceeds ASME specifications
- Includes blow mold case for storage and organization



Cat. No.	Included Storage	Product Weight
84945N	Blow Mold Case	8.82 lb

Cat. No.	Description	Cat. No.	Description
84702N	1/2" Drive 6 Point Deep Universal Impact Metric Socket 10mm	84707N	1/2" Drive 6 Point Deep Universal Impact Metric Socket 15mm
84703N	1/2" Drive 6 Point Deep Universal Impact Metric Socket 11mm	84708N	1/2" Drive 6 Point Deep Universal Impact Metric Socket 16mm
84704N	1/2" Drive 6 Point Deep Universal Impact Metric Socket 12mm	84709N	1/2" Drive 6 Point Deep Universal Impact Metric Socket 17mm
84705N	1/2" Drive 6 Point Deep Universal Impact Metric Socket 13mm	84710N	1/2" Drive 6 Point Deep Universal Impact Metric Socket 18mm
84706N	1/2" Drive 6 Point Deep Universal Impact Metric Socket 14mm	84711N	1/2" Drive 6 Point Deep Universal Impact Metric Socket 19mm



### 3 Pc. 1/2" Drive X-Core™ Universal Joint Extension Set

- X-Core™ pinless joint design for increased strength and durability
- Universal joint extensions can be used with any socket style
- 30° maximum operating flex angle
- Smooth 360° rotation for easier access
- Chrome molybdenum alloy steel (Cr-Mo) for exceptional strength and durability
- Black oxide finish to resist corrosion
- High-visibility laser etched markings provide quick size identification
- Meets or exceeds ASME specifications
- Includes 6 in 9 in and 12 in lengths



Cat. No.	Included Storage	Product Weight
84721N	Tray	3.700 lb

Cat. No.	Description
84718N	1/2" Drive X-Core™ Pinless Universal Joint Impact Extension 6"
84719N	1/2" Drive X-Core™ Pinless Universal Joint Impact Extension 9"
84720N	1/2" Drive X-Core™ Pinless Universal Joint Impact Extension 12"

### 3 Pc. 1/2" Drive Impact Locking Extension Set

- Chrome molybdenum alloy steel (Cr-Mo) for exceptional strength and durability
- Pin hole can be used with detent pin for secure socket retention
- Locking mechanism with sliding collar securely attaches socket to extension
- Manganese phosphate finish to resist corrosion
- High-visibility laser etched markings for quick size identification
- Includes tray for storage and organization



Cat. No.	Included Storage	Product Weight
84951N	Tray	2.02 lb

Cat. No.	Description
84648N	1/2" Drive Locking Impact Extension 3"
84649N	1/2" Drive Locking Impact Extension 6"
84650N	1/2" Drive Locking Impact Extension 12"

### 4 Pc. 1/2" Drive Impact Extension Set

- Flex socket design provides more access to fasteners in tight confines
- Chrome molybdenum alloy steel (Cr-Mo) for exceptional strength and durability
- Off-corner loading design for reduced fastener rounding
- Manganese phosphate finish to resist corrosion
- High-visibility laser etched markings provide quick size identification
- Meets or exceeds ASME specifications
- Includes tray for storage and organization



Cat. No.	Included Storage	Product Weight
84950N	Tray	3.120 lb

Cat. No.	Description	Cat. No.	Description
84645	1/2" Drive Impact Extension 3"	84644	1/2" Drive Impact Extension 10"
84646	1/2" Drive Impact Extension 5"	84647N	1/2" Drive Impact Extension 15"

### 1/2" Drive X-Core™ Universal Joint Extension

- X-Core™ pinless joint design for increased strength and durability
- Universal joint extensions can be used with any socket style
- 30° maximum operating flex angle
- Smooth 360° rotation for easier access
- Chrome molybdenum alloy steel (Cr-Mo) for exceptional strength and durability
- Black oxide finish to resist corrosion
- High-visibility laser etched markings provide quick size identification
- Meets or exceeds ASME specifications



Cat. No.	UPC No.	Packaging	Male Drive Size	Female Drive Size	Overall Length	Dim. C: Overall Length	Product Weight
84718N	099575084782	Carded	1/2"	1/2"	6 in	6 in	0.800 lb
84719N	099575084799	Carded	1/2"	1/2"	9 in	9 in	1.200 lb
84720N	099575084706	Carded	1/2"	1/2"	12 in	12 in	1.300 lb



### 1/2" Drive Impact Locking Extensions

- Chrome molybdenum alloy steel (Cr-Mo) for exceptional strength and durability
- Pin hole can be used with pin and o-ring for secure socket retention
- Locking mechanism with sliding collar securely attaches socket to extension
- Manganese phosphate finish to resist corrosion
- High-visibility laser etched markings provide quick size identification
- Meets or exceeds ASME specifications



Cat. No.	Drive Tang Size	Overall Length	Product Weight
84648N	1/2 in	3 in	0.290 lb
84649N	1/2 in	6 in	0.550 lb
84650N	1/2 in	12 in	1.100 lb
84651N	1/2 in	18 in	1.760
84652N	1/2 in	24 in	2.310
84653N	1/2 in	31 in	2.970

### 1/2" Drive Impact Extensions

- Chrome molybdenum alloy steel (Cr-Mo) for exceptional strength and durability
- Pin hole can be used with pin and o-ring for secure socket retention
- Manganese phosphate finish to resist corrosion
- High-visibility laser etched markings provide quick size identification
- Meets or exceeds ASME specifications



Cat. No.	Drive Tang Size	Overall Length	Dim. A: Drive End	Product Weight
84645	1/2 in	3 in	1 in	0.33 lb
84646	1/2 in	5 in	1 in	0.45 lb
84644	1/2 in	10 in	1 in	0.90 lb
84647N	1/2 in	15 in	1 in	1.44 lb

### 1/2" Drive Impact Drive Adapter

- Chrome molybdenum alloy steel (Cr-Mo) for exceptional strength and durability
- Through hole on square drive
- Pin hole can be used with pin and o-ring for secure socket retention
- Hard stamped size markings
- Manganese phosphate finish to resist corrosion
- Meets or exceeds ASME specifications



Cat. No.	Female Drive Size	Male Drive Size	Dim. C: Overall Length	Product Weight
84643	1/2"	3/8"	1.5 in	0.16 lb
84655	1/2"	3/4"	1.889 in	0.355 lb

### 1/2" Drive X-Core™ Pinless Impact Universal Joint

- X-Core™ pinless joint design is 4x more durable than pinned products for increased strength
- Ball detent for secure socket retention
- 30° maximum operating flex angle
- Smooth 360° rotation for easier access
- Chrome molybdenum alloy steel (Cr-Mo) for exceptional strength and durability
- Black oxide finish to resist corrosion
- High-visibility laser etched markings provide quick size identification
- Meets or exceeds ASME specifications



Cat. No.	Female Drive Size	Male Drive Size	Dim. C: Overall Length	Product Weight
84715	1/2"	1/2"	2.78 in	.44 lb

### 1/2" Drive Impact Universal Joint

- Chrome molybdenum alloy steel (Cr-Mo) for exceptional strength and durability
- Manganese phosphate finish to resist corrosion
- Hard stamped size markings
- Meets or exceeds ASME specifications



Cat. No.	Female Drive Size	Male Drive Size	Dim. C: Overall Length	Product Weight
80671N	1/2"	1/2"	2.441 in	0.43 lb

### 1/2" Drive 6 Point Standard Length Impact Sockets

- Chrome molybdenum alloy steel (Cr-Mo) for exceptional strength and durability
- Off-corner loading design reduces fastener rounding
- Black oxide finish to resist corrosion
- High-visibility laser-etched markings provide quick size identification
- Secondary hard stamped size markings
- Meets or exceeds ASME specifications



Cat. No.	SAE/Metric	Fastener Size	Dim. A: Drive End	Dim. B: Wrench End	Dim. C: Overall Length	Dim. D: Bolt Clearance	Dim. E: Wrench Depth	Dim. F: Length to Shoulder	Product Weight
84500N	SAE	3/8 in	0.976 in	0.689 in	1.496 in	0.315 in	0.315 in	0.748 in	0.16 lb
84501N	SAE	7/16 in	0.976 in	0.728 in	1.496 in	0.394 in	0.315 in	0.748 in	0.16 lb
84502N	SAE	1/2 in	0.976 in	0.819 in	1.496 in	0.394 in	0.394 in	0.748 in	0.17 lb
84503N	SAE	9/16 in	0.976 in	0.866 in	1.496 in	0.472 in	0.394 in	0.748 in	0.17 lb
84504N	SAE	5/8 in	0.976 in	0.976 in	1.496 in	0.472 in	0.433 in	1.496 in	0.20 lb
84505N	SAE	11/16 in	1.016 in	1.016 in	1.496 in	0.472 in	0.472 in	1.496 in	0.21 lb
84506N	SAE	3/4 in	1.173 in	1.173 in	1.614 in	0.571 in	0.512 in	1.614 in	0.32 lb
84507N	SAE	13/16 in	1.252 in	1.252 in	1.614 in	0.61 in	0.551 in	1.614 in	0.38 lb
84508N	SAE	7/8 in	1.331 in	1.331 in	1.614 in	0.669 in	0.551 in	1.614 in	0.43 lb
84509N	SAE	15/16 in	1.409 in	1.409 in	1.614 in	0.866 in	0.551 in	1.614 in	0.47 lb
84510N	SAE	1 in	1.488 in	1.488 in	1.614 in	0.866 in	0.591 in	1.614 in	0.53 lb
84511N	SAE	1-1/16 in	1.567 in	1.567 in	1.614 in	0.906 in	0.63 in	1.614 in	0.59 lb
84512N	SAE	1-1/8 in	1.567 in	1.567 in	1.614 in	0.945 in	0.638 in	1.614 in	0.57 lb
84513N	SAE	1-3/16 in	1.646 in	1.646 in	1.614 in	0.984 in	0.638 in	1.614 in	0.69 lb
84514N	SAE	1-1/4 in	1.724 in	1.724 in	1.614 in	1.024 in	0.638 in	1.614 in	0.69 lb
84515N	SAE	1-5/16 in	1.803 in	1.803 in	1.909 in	.906 in	1.063 in	1.909 in	0.81 lb
84516N	SAE	1-3/8 in	1.843 in	1.843 in	1.909 in	.937 in	1.063 in	1.909 in	0.83 lb
84517N	SAE	1-7/16 in	1.921 in	1.921 in	1.909 in	1 in	1.063 in	1.909 in	0.88 lb
84518N	SAE	1-1/2 in	2 in	2 in	1.909 in	1.062 in	1.063 in	1.909 in	0.99 lb
84520N	Metric	8 mm	0.913 in	0.591 in	1.496 in	0.236 in	0.276 in	0.748 in	0.13 lb
84521N	Metric	9 mm	0.913 in	0.63 in	1.496 in	0.276 in	0.315 in	0.748 in	0.13 lb
84522N	Metric	10 mm	0.976 in	0.689 in	1.496 in	0.315 in	0.315 in	0.748 in	0.16 lb
84523N	Metric	11 mm	0.976 in	0.728 in	1.496 in	0.394 in	0.315 in	0.748 in	0.16 lb
84524N	Metric	12 mm	0.976 in	0.768 in	1.496 in	0.394 in	0.354 in	0.748 in	0.16 lb
84525N	Metric	13 mm	0.976 in	0.819 in	1.496 in	0.394 in	0.394 in	0.748 in	0.17 lb
84526N	Metric	14 mm	0.976 in	0.866 in	1.496 in	0.472 in	0.394 in	0.748 in	0.18 lb
84527N	Metric	15 mm	0.976 in	0.976 in	1.496 in	0.472 in	0.433 in	1.496 in	0.20 lb
84528N	Metric	16 mm	0.976 in	0.976 in	1.496 in	0.472 in	0.433 in	1.496 in	0.19 lb
84529N	Metric	17 mm	1.016 in	1.016 in	1.496 in	0.472 in	0.472 in	1.496 in	0.21 lb
84530N	Metric	18 mm	1.094 in	1.094 in	1.496 in	0.571 in	0.512 in	1.496 in	0.25 lb
84531N	Metric	19 mm	1.173 in	1.173 in	1.614 in	0.571 in	0.512 in	1.614 in	0.33 lb
84532N	Metric	20 mm	1.173 in	1.173 in	1.614 in	0.61 in	0.512 in	1.614 in	0.32 lb
84533N	Metric	21 mm	1.252 in	1.252 in	1.614 in	0.61 in	0.551 in	1.614 in	0.38 lb
84534N	Metric	22 mm	1.252 in	1.252 in	1.614 in	0.669 in	0.551 in	1.614 in	0.37 lb
84535N	Metric	23 mm	1.331 in	1.331 in	1.614 in	0.669 in	0.551 in	1.614 in	0.41 lb
84536N	Metric	24 mm	1.331 in	1.331 in	1.614 in	0.669 in	0.551 in	1.614 in	0.40 lb

Cat. No.	SAE/Metric	Fastener Size	Dim. A: Drive End	Dim. B: Wrench End	Dim. C: Overall Length	Dim. D: Bolt Clearance	Dim. E: Wrench Depth	Dim. F: Length to Shoulder	Product Weight
84537N	Metric	25 mm	1.409 in	1.409 in	1.614 in	0.709 in	0.551 in	1.614 in	0.47 lb
84538N	Metric	26 mm	1.488 in	1.488 in	1.614 in	0.866 in	0.591 in	1.614 in	0.53 lb
84545N	Metric	27 mm	1.488 in	1.488 in	1.614 in	0.906 in	0.63 in	1.614 in	0.51 lb
84539N	Metric	28 mm	1.606 in	1.606 in	1.614 in	0.945 in	0.63 in	1.614 in	0.56 lb
84540N	Metric	29 mm	1.646 in	1.646 in	1.614 in	0.984 in	0.63 in	1.614 in	0.64 lb
84541N	Metric	30 mm	1.646 in	1.646 in	1.614 in	0.984 in	0.661 in	1.614 in	0.63 lb
84542N	Metric	31 mm	1.724 in	1.724 in	1.614 in	1.024 in	0.638 in	1.614 in	0.69 lb
84543N	Metric	32 mm	1.724 in	1.724 in	1.614 in	1.024 in	0.638 in	1.614 in	0.69 lb
84544N	Metric	36 mm	1.921 in	1.921 in	1.909 in	1.023 in	1.063 in	1.909 in	0.90 lb

### 1/2" Drive 6 Point Deep Length Impact Sockets

- Chrome molybdenum alloy steel (Cr-Mo) for exceptional strength and durability
- Off-corner loading design reduces fastener rounding
- Black oxide finish to resist corrosion
- High-visibility laser-etched markings provide quick size identification
- Secondary hard stamped size markings
- Meets or exceeds ASME specifications



Cat. No.	SAE/Metric	Fastener Size	Dim. A: Drive End	Dim. B: Wrench End	Dim. C: Overall Length	Dim. D: Bolt Clearance	Dim. E: Wrench Depth	Dim. F: Length to Shoulder	Product Weight
84546N	SAE	3/8 in	0.957 in	0.689 in	3.228 in	0.374 in	0.551 in	1.614 in	0.36 lb
84547N	SAE	7/16 in	0.957 in	0.728 in	3.228 in	0.425 in	0.551 in	1.614 in	0.36 lb
84548N	SAE	1/2 in	0.957 in	0.819 in	3.228 in	0.492 in	0.551 in	1.614 in	0.37 lb
84549N	SAE	9/16 in	0.957 in	0.866 in	3.228 in	0.492 in	0.669 in	1.614 in	0.40 lb
84550N	SAE	5/8 in	0.957 in	0.957 in	3.228 in	0.531 in	0.669 in	3.228 in	0.41 lb
84551N	SAE	11/16 in	1.016 in	1.016 in	3.228 in	0.531 in	0.669 in	3.228 in	0.46 lb
84552N	SAE	3/4 in	1.173 in	1.173 in	3.228 in	0.551 in	0.748 in	3.228 in	0.66 lb
84553N	SAE	13/16 in	1.252 in	1.252 in	3.228 in	0.61 in	0.945 in	3.228 in	0.77 lb
84554N	SAE	7/8 in	1.252 in	1.252 in	3.228 in	0.61 in	0.945 in	3.228 in	0.72 lb
84555N	SAE	15/16 in	1.331 in	1.331 in	3.228 in	0.689 in	0.945 in	3.228 in	0.81 lb
84556N	SAE	1 in	1.409 in	1.409 in	3.228 in	0.72 in	0.945 in	3.228 in	0.89 lb
84557N	SAE	1-1/16 in	1.488 in	1.488 in	3.228 in	0.728 in	0.945 in	3.228 in	1.00 lb
84558N	SAE	1-1/8 in	1.567 in	1.567 in	3.228 in	0.827 in	0.945 in	3.228 in	1.19 lb
84559N	SAE	1-3/16 in	1.646 in	1.646 in	3.228 in	0.886 in	0.945 in	3.228 in	1.30 lb
84560N	SAE	1-1/4 in	1.724 in	1.724 in	3.228 in	0.965 in	0.945 in	3.228 in	1.41 lb
84561N	SAE	1-5/16 in	1.803 in	1.803 in	3.228 in	1.024 in	0.945 in	3.228 in	1.32 lb
84562N	SAE	1-3/8 in	1.843 in	1.843 in	3.228 in	1.024 in	0.945 in	3.228 in	1.35 lb
84563N	SAE	1-7/16 in	1.921 in	1.921 in	3.228 in	1.024 in	0.945 in	3.228 in	1.51 lb
84564N	SAE	1-1/2 in	2 in	2 in	3.228 in	1.102 in	0.945 in	3.228 in	1.55 lb
84566N	Metric	8 mm	0.957 in	0.591 in	3.228 in	0.283 in	0.512 in	1.614 in	0.35 lb

continued on next page

**1/2" Drive 6 Point Deep Impact Sockets** ■ *continued from previous page*

Cat. No.	SAE/Metric	Fastener Size	Dim. A: Drive End	Dim. B: Wrench End	Dim. C: Overall Length	Dim. D: Bolt Clearance	Dim. E: Wrench Depth	Dim. F: Length to Shoulder	Product Weight
84567N	Metric	9 mm	0.957 in	0.63 in	3.228 in	0.283 in	0.551 in	1.614 in	0.37 lb
84568N	Metric	10 mm	0.957 in	0.689 in	3.228 in	0.374 in	0.551 in	1.614 in	0.36 lb
84569N	Metric	11 mm	0.957 in	0.728 in	3.228 in	0.394 in	0.551 in	1.614 in	0.37 lb
84570N	Metric	12 mm	0.957 in	0.768 in	3.228 in	0.449 in	0.551 in	1.614 in	0.37 lb
84571N	Metric	13 mm	0.957 in	0.819 in	3.228 in	0.492 in	0.551 in	1.614 in	0.36 lb
84572N	Metric	14 mm	0.957 in	0.866 in	3.228 in	0.492 in	0.669 in	1.614 in	0.39 lb
84573N	Metric	15 mm	0.957 in	0.957 in	3.228 in	0.531 in	0.669 in	3.228 in	0.43 lb
84574N	Metric	16 mm	0.957 in	0.957 in	3.228 in	0.531 in	0.669 in	3.228 in	0.41 lb
84575N	Metric	17 mm	1.016 in	1.016 in	3.228 in	0.531 in	0.669 in	3.228 in	0.45 lb
84576N	Metric	18 mm	1.094 in	1.094 in	3.228 in	0.531 in	0.669 in	3.228 in	0.55 lb
84577N	Metric	19 mm	1.173 in	1.173 in	3.228 in	0.551 in	0.748 in	3.228 in	0.66 lb
84578N	Metric	20 mm	1.173 in	1.173 in	3.228 in	0.591 in	0.748 in	3.228 in	0.62 lb
84579N	Metric	21 mm	1.252 in	1.252 in	3.228 in	0.61 in	0.945 in	3.228 in	0.76 lb
84580N	Metric	22 mm	1.252 in	1.252 in	3.228 in	0.61 in	0.945 in	3.228 in	0.73 lb
84581N	Metric	23 mm	1.252 in	1.252 in	3.228 in	0.61 in	0.945 in	3.228 in	0.67 lb
84582N	Metric	24 mm	1.331 in	1.331 in	3.228 in	0.689 in	0.945 in	3.228 in	0.80 lb
84583N	Metric	25 mm	1.409 in	1.409 in	3.228 in	0.72 in	0.945 in	3.228 in	0.90 lb
84584N	Metric	26 mm	1.488 in	1.488 in	3.228 in	0.72 in	0.945 in	3.228 in	1.12 lb
84585N	Metric	27 mm	1.488 in	1.488 in	3.228 in	0.728 in	0.945 in	3.228 in	0.99 lb
84586N	Metric	28 mm	1.567 in	1.567 in	3.228 in	0.807 in	0.945 in	3.228 in	1.10 lb
84587N	Metric	29 mm	1.567 in	1.567 in	3.228 in	0.827 in	0.945 in	3.228 in	1.16 lb
84588N	Metric	30 mm	1.646 in	1.646 in	3.228 in	0.886 in	0.945 in	3.228 in	1.25 lb
84589N	Metric	31 mm	1.646 in	1.646 in	3.228 in	0.925 in	0.945 in	3.228 in	1.14 lb
84590N	Metric	32 mm	1.724 in	1.724 in	3.228 in	0.965 in	0.945 in	3.228 in	1.42 lb
84591N	Metric	33 mm	1.803 in	1.803 in	3.228 in	1.024 in	0.945 in	3.228 in	1.35 lb
84592N	Metric	34 mm	1.843 in	1.843 in	3.228 in	1.024 in	0.945 in	3.228 in	1.37 lb
84593N	Metric	35 mm	1.843 in	1.843 in	3.228 in	1.024 in	0.945 in	3.228 in	1.34 lb
84594N	Metric	36 mm	1.921 in	1.921 in	3.228 in	1.024 in	0.945 in	3.228 in	1.50 lb

**1/2" Drive Impact Hex Bit Sockets**

- Chrome molybdenum alloy steel (Cr-Mo) for exceptional strength and durability
- Pin hole can be used with pin and o-ring for secure socket retention
- Manganese phosphate finish to resist corrosion
- High-visibility laser-etched markings provide quick size identification
- Secondary hard stamped size markings
- Meets or exceeds ASME specifications



Cat. No.	SAE/Metric	Fastener Size	Dim. A: Drive End	Dim. C: Overall Length	Dim. D: Bit Length	Product Weight
84634	SAE	3/8 in	0.98 in	3.07 in	0.43 in	0.24 lb
84635	SAE	7/16 in	0.98 in	3.07 in	0.51 in	0.26 lb
84636	SAE	1/2 in	0.98 in	3.07 in	0.58 in	0.29 lb
84637	SAE	9/16 in	0.98 in	3.07 in	0.65 in	0.31 lb
84638	SAE	5/8 in	0.98 in	3.07 in	0.71 in	0.34 lb
84639	SAE	11/16 in	0.98 in	3.07 in	0.79 in	0.38 lb
84640	SAE	3/4 in	0.98 in	3.07 in	0.87 in	0.42 lb
84626	Metric	9 mm	0.98 in	3.07 in	0.41 in	0.20 lb
84627	Metric	10 mm	0.98 in	3.07 in	0.45 in	0.24 lb
84628	Metric	11 mm	0.98 in	3.07 in	0.5 in	0.25 lb
84629	Metric	12 mm	0.98 in	3.07 in	0.54 in	0.27 lb
84630	Metric	13 mm	0.98 in	3.07 in	0.59 in	0.28 lb
84631	Metric	14 mm	0.98 in	3.07 in	0.64 in	0.31 lb
84632	Metric	15 mm	0.98 in	3.07 in	0.68 in	0.33 lb

### 1/2" Drive 6 Point X-Core™ Pinless Universal Impact Socket

- X-Core™ pinless joint design is 4x more durable than pinned products for increased strength
- 30° maximum operating flex angle
- Smooth 360° rotation for easier access
- Off-corner loading reduces fastener rounding
- Chrome molybdenum alloy steel (Cr-Mo) for exceptional strength and durability
- Black oxide finish to resist corrosion
- High-visibility laser etched markings provide quick size identification
- Meets or exceeds ASME specifications



Cat. No.	SAE/Metric	Fastener Size	Dim. A: Drive End	Dim. B: Wrench End	Dim. C: Overall Length	Dim. E: Wrench Depth	Dim. F: Length to Shoulder	Product Weight
84737	SAE	1/2 in	0.988 in	0.768 in	2.807 in	0.787 in	0.605 in	0.510 lb
84738	SAE	9/16 in	0.988 in	0.827 in	2.819 in	0.787 in	0.565 in	0.510 lb
84739	SAE	5/8 in	0.988 in	0.949 in	2.819 in	0.787 in	0.547 in	0.510 lb
84740	SAE	11/16 in	1.228 in	1 in	3.055 in	0.866 in	1.051 in	0.530 lb
84741	SAE	3/4 in	1.228 in	1.063 in	3.094 in	0.984 in	1.08 in	0.590 lb
84742	SAE	13/16 in	1.228 in	1.228 in	3.157 in	0.984 in	1.01 in	0.620 lb
84743	SAE	7/8 in	1.228 in	1.26 in	3.157 in	0.984 in	1.016 in	0.650 lb
84744	SAE	15/16 in	1.228 in	1.291 in	3.209 in	0.984 in	0.951 in	0.660 lb
84745	SAE	1 in	1.228 in	1.366 in	3.209 in	0.984 in	0.946 in	0.700 lb
84746	SAE	1-1/16 in	1.228 in	1.567 in	3.209 in	0.984 in	0.908 in	0.800 lb
84747	SAE	1-1/8 in	1.228 in	1.646 in	3.209 in	0.984 in	0.931 in	0.820 lb
84723	Metric	13 mm	0.988 in	0.768 in	2.819 in	0.787 in	0.605 in	0.510 lb
84724	Metric	14 mm	0.988 in	0.827 in	2.819 in	0.787 in	0.565 in	0.510 lb
84725	Metric	15 mm	0.988 in	0.874 in	2.819 in	0.787 in	0.532 in	0.510 lb
84726	Metric	16 mm	1.228 in	0.949 in	3.055 in	0.866 in	1.032 in	0.510 lb
84727	Metric	17 mm	1.228 in	1 in	3.055 in	0.866 in	1.051 in	0.540 lb
84728	Metric	18 mm	1.228 in	1.063 in	3.094 in	0.984 in	1.054 in	0.580 lb
84729	Metric	19 mm	1.228 in	1.063 in	3.094 in	0.984 in	1.08 in	0.590 lb
84731	Metric	21 mm	1.228 in	1.228 in	3.157 in	0.984 in	1.01 in	0.660 lb
84732	Metric	22 mm	1.228 in	1.26 in	3.157 in	0.984 in	1.016 in	0.545 lb
84734	Metric	24 mm	1.228 in	1.291 in	3.157 in	0.984 in	0.951 in	0.660 lb

### 1/2" Drive 6 Point Universal Impact Sockets

- Chrome molybdenum alloy steel (Cr-Mo) for exceptional strength and durability
- Off-corner loading design reduces fastener rounding
- Black oxide finish to resist corrosion
- High-visibility laser-etched markings provide quick size identification
- Secondary hard stamped size markings
- Meets or exceeds ASME specifications



Cat. No.	SAE/Metric	Fastener Size	Dim. A: Drive End	Dim. B: Wrench End	Dim. C: Overall Length	Dim. E: Wrench Depth	Dim. F: Length to Shoulder	Product Weight
84596N	SAE	1/2 in	0.984 in	0.748 in	2.598 in	0.787 in	2.62 in	0.32 lb
84597N	SAE	9/16 in	0.984 in	0.866 in	2.598 in	0.787 in	2.62 in	0.35 lb
84598N	SAE	5/8 in	0.984 in	0.945 in	2.598 in	0.787 in	2.62 in	0.36 lb
84599N	SAE	11/16 in	1.181 in	1.024 in	2.598 in	0.787 in	2.62 in	0.49 lb
84600N	SAE	3/4 in	1.181 in	1.102 in	2.598 in	0.787 in	2.62 in	0.51 lb
84601N	SAE	13/16 in	1.181 in	1.181 in	2.598 in	0.787 in	2.62 in	0.53 lb
84602N	SAE	7/8 in	1.181 in	1.26 in	2.598 in	0.787 in	2.62 in	0.56 lb
84603N	SAE	15/16 in	1.181 in	1.339 in	2.598 in	0.787 in	2.62 in	0.58 lb
84604N	SAE	1 in	1.181 in	1.417 in	2.598 in	0.787 in	2.62 in	0.58 lb
84605N	SAE	1-1/16 in	1.181 in	1.496 in	2.756 in	0.787 in	2.79 in	0.63 lb
84606N	SAE	1-1/8 in	1.181 in	1.575 in	2.756 in	0.787 in	2.79 in	0.68 lb
84607N	SAE	1-3/16 in	1.181 in	1.654 in	2.756 in	0.787 in	2.79 in	0.71 lb
84608N	SAE	1-1/4 in	1.181 in	1.732 in	2.756 in	0.787 in	2.79 in	0.75 lb
84610N	Metric	10 mm	0.984 in	0.591 in	2.598 in	0.591 in	0.787 in	0.31 lb
84611N	Metric	11 mm	0.984 in	0.669 in	2.598 in	0.591 in	0.787 in	0.33 lb
84612N	Metric	12 mm	0.984 in	0.748 in	2.598 in	0.591 in	0.787 in	0.34 lb
84613N	Metric	13 mm	0.984 in	0.787 in	2.598 in	0.591 in	0.787 in	0.34 lb
84614N	Metric	14 mm	0.984 in	0.866 in	2.598 in	0.591 in	0.787 in	0.37 lb
84615N	Metric	15 mm	0.984 in	0.906 in	2.598 in	0.591 in	0.787 in	0.37 lb
84616N	Metric	16 mm	0.984 in	0.906 in	2.598 in	0.591 in	0.787 in	0.37 lb
84617N	Metric	17 mm	1.181 in	1.024 in	2.598 in	0.591 in	0.787 in	0.49 lb
84618N	Metric	18 mm	1.181 in	1.024 in	2.598 in	0.591 in	0.787 in	0.49 lb
84619N	Metric	19 mm	1.181 in	1.102 in	2.598 in	0.591 in	0.787 in	0.52 lb
84620N	Metric	20 mm	1.181 in	1.181 in	2.598 in	0.591 in	0.787 in	0.55 lb
84621N	Metric	21 mm	1.181 in	1.181 in	2.598 in	0.591 in	0.787 in	0.54 lb
84622N	Metric	22 mm	1.181 in	1.26 in	2.598 in	0.591 in	0.787 in	0.58 lb
84623N	Metric	23 mm	1.181 in	1.26 in	2.598 in	0.591 in	0.787 in	0.55 lb
84624N	Metric	24 mm	1.181 in	1.339 in	2.598 in	0.591 in	0.787 in	0.55 lb



### 1/2" Drive 6 Point Deep Universal Impact Sockets

- Chrome molybdenum alloy steel (Cr-Mo) for exceptional strength and durability
- Off-corner loading design reduces fastener rounding
- Black oxide finish to resist corrosion
- High-visibility laser-etched markings provide quick size identification
- Secondary hard stamped size markings
- Meets or exceeds ASME specifications



Cat. No.	SAE/Metric	Fastener Size	Dim. A: Drive End	Dim. B: Wrench End	Dim. C: Overall Length	Dim. E: Wrench Depth	Dim. F: Length to Shoulder	Product Weight
84692N	SAE	3/8 in	0.984 in	0.591 in	3.543 in	0.787 in	1.811 in	0.36 lb
84693N	SAE	7/16 in	0.984 in	0.669 in	3.543 in	0.787 in	1.811 in	0.39 lb
84694N	SAE	1/2 in	0.984 in	0.748 in	3.543 in	0.787 in	1.811 in	0.41 lb
84695N	SAE	9/16 in	0.984 in	0.866 in	3.543 in	0.787 in	1.811 in	0.46 lb
84696N	SAE	5/8 in	0.984 in	0.906 in	3.543 in	0.787 in	1.811 in	0.46 lb
84697N	SAE	11/16 in	1.181 in	1.024 in	3.543 in	0.787 in	1.811 in	0.63 lb
84698N	SAE	3/4 in	1.181 in	1.102 in	3.543 in	0.984 in	1.811 in	0.66 lb
84699N	SAE	13/16 in	1.181 in	1.181 in	3.543 in	0.984 in	1.811 in	0.69 lb
84700N	SAE	7/8 in	1.181 in	1.26 in	3.543 in	0.984 in	1.811 in	0.75 lb
84701N	SAE	15/16 in	1.181 in	1.339 in	3.543 in	0.984 in	1.811 in	0.77 lb
84702N	Metric	10 mm	0.984 in	0.591 in	3.543 in	0.787 in	1.811 in	0.36 lb
84703N	Metric	11 mm	0.984 in	0.669 in	3.543 in	0.787 in	1.811 in	0.39 lb
84704N	Metric	12 mm	0.984 in	0.748 in	3.543 in	0.787 in	1.811 in	0.42 lb
84705N	Metric	13 mm	0.984 in	0.787 in	3.543 in	0.787 in	1.811 in	0.43 lb
84706N	Metric	14 mm	0.984 in	0.866 in	3.543 in	0.787 in	1.811 in	0.47 lb
84707N	Metric	15 mm	0.984 in	0.906 in	3.543 in	0.787 in	1.811 in	0.48 lb
84708N	Metric	16 mm	0.984 in	0.906 in	3.543 in	0.787 in	1.811 in	0.46 lb
84709N	Metric	17 mm	1.181 in	0.984 in	3.543 in	0.787 in	1.811 in	0.61 lb
84710N	Metric	18 mm	1.181 in	0.984 in	3.543 in	0.787 in	1.811 in	0.59 lb
84711N	Metric	19 mm	1.181 in	1.102 in	3.543 in	0.984 in	1.811 in	0.64 lb

### 15 Pc. 3/4" Drive 6 Point SAE Impact Socket Set

- Chrome molybdenum alloy steel (Cr-Mo) for exceptional strength and durability
- Pin hole can be used with pin and O-ring for secure socket retention
- Manganese phosphate finish to resist corrosion
- High-visibility laser-etched markings provide quick size identification
- Secondary hard stamped size markings
- Meets or exceeds ASME specifications
- Includes social rail for storage and organization



Cat. No.	Included Storage	Product Weight
84997	Socket Rail	16.120 lb

Cat. No.	Description	Cat. No.	Description
84800	3/4" Drive 6 Point Standard Impact SAE Socket 3/4"	84808	3/4" Drive 6 Point Standard Impact SAE Socket 1-1/4"
84801	3/4" Drive 6 Point Standard Impact SAE Socket 13/16"	84809	3/4" Drive 6 Point Standard Impact SAE Socket 1-5/16"
84802	3/4" Drive 6 Point Standard Impact SAE Socket 7/8"	84810	3/4" Drive 6 Point Standard Impact SAE Socket 1-3/8"
84803	3/4" Drive 6 Point Standard Impact SAE Socket 15/16"	84811	3/4" Drive 6 Point Standard Impact SAE Socket 1-7/16"
84804	3/4" Drive 6 Point Standard Impact SAE Socket 1"	84812	3/4" Drive 6 Point Standard Impact SAE Socket 1-1/2"
84805	3/4" Drive 6 Point Standard Impact SAE Socket 1-1/16"	84813	3/4" Drive 6 Point Standard Impact SAE Socket 1-9/16"
84806	3/4" Drive 6 Point Standard Impact SAE Socket 1-1/8"	84814	3/4" Drive 6 Point Standard Impact SAE Socket 1-5/8"
84807	3/4" Drive 6 Point Standard Impact SAE Socket 1-3/16"		

### 14 Pc. 3/4" Drive 6 Point SAE Impact Socket Set

- Flex socket design provides more access to fasteners in tight confines
- Chrome molybdenum alloy steel (Cr-Mo) for exceptional strength and durability
- Off-corner loading design for reduced fastener rounding
- Manganese phosphate finish to resist corrosion
- High-visibility laser etched markings provide quick size identification
- Meets or exceeds ASME specifications
- Includes socket rail for storage and organization



Cat. No.	Included Storage	Product Weight
84959	Socket Rail	15.260 lb

Cat. No.	Description	Cat. No.	Description
84800	3/4" Drive 6 Point Standard Impact SAE Socket 3/4"	84807	3/4" Drive 6 Point Standard Impact SAE Socket 1-3/16"
84801	3/4" Drive 6 Point Standard Impact SAE Socket 13/16"	84808	3/4" Drive 6 Point Standard Impact SAE Socket 1-1/4"
84802	3/4" Drive 6 Point Standard Impact SAE Socket 7/8"	84809	3/4" Drive 6 Point Standard Impact SAE Socket 1-5/16"
84803	3/4" Drive 6 Point Standard Impact SAE Socket 15/16"	84810	3/4" Drive 6 Point Standard Impact SAE Socket 1-3/8"
84804	3/4" Drive 6 Point Standard Impact SAE Socket 1"	84811	3/4" Drive 6 Point Standard Impact SAE Socket 1-7/16"
84805	3/4" Drive 6 Point Standard Impact SAE Socket 1-1/16"	84812	3/4" Drive 6 Point Standard Impact SAE Socket 1-1/2"
84806	3/4" Drive 6 Point Standard Impact SAE Socket 1-1/8"	84814	3/4" Drive 6 Point Standard Impact SAE Socket 1-5/8"

### 10 Pc. 3/4" Drive 6 Point SAE Impact Socket Set

- Chrome molybdenum alloy steel (Cr-Mo) for exceptional strength and durability
- Pin hole can be used with pin and O-ring for secure socket retention
- Manganese phosphate finish to resist corrosion
- High-visibility laser-etched markings provide quick size identification
- Secondary hard stamped size markings
- Meets or exceeds ASME specifications
- Includes social rail for storage and organization



Cat. No.	Included Storage	Product Weight
84998	Socket Rail	20.890 lb



Cat. No.	Description	Cat. No.	Description
84815	3/4" Drive 6 Point Standard Impact SAE Socket 1-11/16"	84820	3/4" Drive 6 Point Standard Impact SAE Socket 2"
84816	3/4" Drive 6 Point Standard Impact SAE Socket 1-3/4"	84821	3/4" Drive 6 Point Standard Impact SAE Socket 2-1/16"
84817	3/4" Drive 6 Point Standard Impact SAE Socket 1-13/16"	84823	3/4" Drive 6 Point Standard Impact SAE Socket 2-3/16"
84818	3/4" Drive 6 Point Standard Impact SAE Socket 1-7/8"	84824	3/4" Drive 6 Point Standard Impact SAE Socket 2-1/4"
84819	3/4" Drive 6 Point Standard Impact SAE Socket 1-15/16"	84826	3/4" Drive 6 Point Standard Impact SAE Socket 2-3/8"

### 22 Pc. 3/4" Drive 6 Point Metric Impact Socket Set

- Chrome molybdenum alloy steel (Cr-Mo) for exceptional strength and durability
- Pin hole can be used with pin and O-ring for secure socket retention
- Manganese phosphate finish to resist corrosion
- High-visibility laser-etched markings provide quick size identification
- Secondary hard stamped size markings
- Meets or exceeds ASME specifications
- Includes social rail for storage and organization



Cat. No.	Included Storage	Product Weight
84973	Socket Rail	23.260 lb



Cat. No.	Description	Cat. No.	Description
84829	3/4" Drive 6 Point Standard Impact Metric Socket 17mm	84840	3/4" Drive 6 Point Standard Impact Metric Socket 29mm
84830D	3/4" Drive 6 Point Standard Impact Metric Socket 19mm	84841	3/4" Drive 6 Point Standard Impact Metric Socket 30mm
84831	3/4" Drive 6 Point Standard Impact Metric Socket 20mm	84842	3/4" Drive 6 Point Standard Impact Metric Socket 31mm
84832	3/4" Drive 6 Point Standard Impact Metric Socket 21mm	84843	3/4" Drive 6 Point Standard Impact Metric Socket 32mm
84833	3/4" Drive 6 Point Standard Impact Metric Socket 22mm	84844D	3/4" Drive 6 Point Standard Impact Metric Socket 33mm
84834	3/4" Drive 6 Point Standard Impact Metric Socket 23mm	84845	3/4" Drive 6 Point Standard Impact Metric Socket 34mm
84835	3/4" Drive 6 Point Standard Impact Metric Socket 24mm	84846	3/4" Drive 6 Point Standard Impact Metric Socket 35mm
84836	3/4" Drive 6 Point Standard Impact Metric Socket 25mm	84847	3/4" Drive 6 Point Standard Impact Metric Socket 36mm
84837	3/4" Drive 6 Point Standard Impact Metric Socket 26mm	84849	3/4" Drive 6 Point Standard Impact Metric Socket 38mm
84838	3/4" Drive 6 Point Standard Impact Metric Socket 27mm	84851	3/4" Drive 6 Point Standard Impact Metric Socket 40mm
84839	3/4" Drive 6 Point Standard Impact Metric Socket 28mm	84852	3/4" Drive 6 Point Standard Impact Metric Socket 41mm

### 12 Pc. 3/4" Drive 6 Point Metric Impact Socket Set

- Flex socket design provides more access to fasteners in tight confines
- Chrome molybdenum alloy steel (Cr-Mo) for exceptional strength and durability
- Off-corner loading design for reduced fastener rounding
- Manganese phosphate finish to resist corrosion
- High-visibility laser etched markings provide quick size identification
- Meets or exceeds ASME specifications
- Includes socket rail for storage and organization



Cat. No.	Included Storage	Product Weight
84958	Socket Rail	12.770 lb



Cat. No.	Description	Cat. No.	Description
84830D	3/4" Drive 6 Point Standard Impact Metric Socket 19mm	84838	3/4" Drive 6 Point Standard Impact Metric Socket 27mm
84831	3/4" Drive 6 Point Standard Impact Metric Socket 20mm	84841	3/4" Drive 6 Point Standard Impact Metric Socket 30mm
84832	3/4" Drive 6 Point Standard Impact Metric Socket 21mm	84843	3/4" Drive 6 Point Standard Impact Metric Socket 32mm
84833	3/4" Drive 6 Point Standard Impact Metric Socket 22mm	84847	3/4" Drive 6 Point Standard Impact Metric Socket 36mm
84834	3/4" Drive 6 Point Standard Impact Metric Socket 23mm	84852	3/4" Drive 6 Point Standard Impact Metric Socket 41mm
84835	3/4" Drive 6 Point Standard Impact Metric Socket 24mm	84857	3/4" Drive 6 Point Standard Impact Metric Socket 46mm

### 14 Pc. 3/4" Drive 6 Point Metric Deep Impact Socket Set

- Chrome molybdenum alloy steel (Cr-Mo) for exceptional strength and durability
- Pin hole can be used with pin and O-ring for secure socket retention
- Manganese phosphate finish to resist corrosion
- High-visibility laser-etched markings provide quick size identification
- Secondary hard stamped size markings
- Meets or exceeds ASME specifications
- Includes social rail for storage and organization



Cat. No.	Included Storage	Product Weight
84972	Socket Rail	23.050 lb



Cat. No.	Description	Cat. No.	Description
84982	3/4" Drive 6 Point Deep Impact Metric Socket 19mm	84989	3/4" Drive 6 Point Deep Impact Metric Socket 30mm
84983	3/4" Drive 6 Point Deep Impact Metric Socket 21mm	84990	3/4" Drive 6 Point Deep Impact Metric Socket 32mm
84984	3/4" Drive 6 Point Deep Impact Metric Socket 22mm	84991	3/4" Drive 6 Point Deep Impact Metric Socket 33mm
84985	3/4" Drive 6 Point Deep Impact Metric Socket 23mm	84992	3/4" Drive 6 Point Deep Impact Metric Socket 35mm
84986	3/4" Drive 6 Point Deep Impact Metric Socket 24mm	84993	3/4" Drive 6 Point Deep Impact Metric Socket 36mm
84987	3/4" Drive 6 Point Deep Impact Metric Socket 26mm	84994	3/4" Drive 6 Point Deep Impact Metric Socket 38mm
84988	3/4" Drive 6 Point Deep Impact Metric Socket 27mm	84995	3/4" Drive 6 Point Deep Impact Metric Socket 41mm

### 5 Pc. 3/4" Drive SAE Impact Hex Bit Socket Set

- Chrome molybdenum alloy steel (Cr-Mo) for exceptional strength and durability
- Pin hole can be used with pin and O-ring for secure socket retention
- Manganese phosphate finish to resist corrosion
- High-visibility laser-etched markings provide quick size identification
- Secondary hard stamped size markings
- Meets or exceeds ASME specifications
- Includes social rail for storage and organization



Cat. No.	Included Storage	Product Weight
84899	Socket Rail	5.6

SAE

Cat. No.	Description	Cat. No.	Description
84894	3/4" Drive Hex Bit Impact SAE Socket 9/16"	84897	3/4" Drive Hex Bit Impact SAE Socket 7/8"
84895	3/4" Drive Hex Bit Impact SAE Socket 5/8"	84898	3/4" Drive Hex Bit Impact SAE Socket 1"
84896	3/4" Drive Hex Bit Impact SAE Socket 3/4"		

### 5 Pc. 3/4" Drive Metric Impact Hex Bit Socket Set

- Chrome molybdenum alloy steel (Cr-Mo) for exceptional strength and durability
- Pin hole can be used with pin and O-ring for secure socket retention
- Manganese phosphate finish to resist corrosion
- High-visibility laser-etched markings provide quick size identification
- Secondary hard stamped size markings
- Meets or exceeds ASME specifications
- Includes social rail for storage and organization



Cat. No.	Included Storage	Product Weight
84968	Socket Rail	5.6

mm

Cat. No.	Description	Cat. No.	Description
84962	3/4" Drive Hex Bit Impact Metric Socket 14mm	84965	3/4" Drive Hex Bit Impact Metric Socket 22mm
84963	3/4" Drive Hex Bit Impact Metric Socket 17mm	84966	3/4" Drive Hex Bit Impact Metric Socket 24mm
84964	3/4" Drive Hex Bit Impact Metric Socket 19mm		

### 3/4" Drive Impact Extensions

- Chrome molybdenum alloy steel (Cr-Mo) for exceptional strength and durability
- Through hole on square drive
- Pin hole can be used with pin and o-ring for secure socket retention
- Hard stamped size markings
- Manganese phosphate finish to resist corrosion
- Meets or exceeds ASME specifications



Cat. No.	Drive Tang Size	Overall Length	Product Weight
84885	3/4 in	6 in	1.84 lb
84886	3/4 in	10 in	2.65 lb
84893	3/4 in	13 in	2.68

### 3/4" Drive Impact Drive Adapters

- Chrome molybdenum alloy steel (Cr-Mo) for exceptional strength and durability
- Ball detent for secure socket retention
- Manganese phosphate finish to resist corrosion
- High-visibility laser etched markings provide quick size identification
- Meets or exceeds ASME specifications



Cat. No.	Female Drive Size	Male Drive Size	Dim. C: Overall Length	Product Weight
84888D	3/4"	1/2"	2.126 in	0.83 lb
84887	3/4"	1"	2.626 in	1.30 lb

### 3/4" Drive Impact Universal Joint

- Chrome molybdenum alloy steel (Cr-Mo) for exceptional strength and durability
- Through hole on square drive
- Pin hole can be used with pin and o-ring for secure socket retention
- Hard stamped size markings
- Manganese phosphate finish to resist corrosion
- Meets or exceeds ASME specifications



Cat. No.	Female Drive Size	Male Drive Size	Dim. C: Overall Length	Product Weight
84889	3/4"	3/4"	3.74 in	1.30

### 3/4" Retaining Ring with Pin

- Use to attach large impact sockets to the square drive anvil on impact wrenches
- One piece design replaces separate pins and o-rings
- Molded in polyurethane plastic with a hardened resin insert for durability
- Made in the USA



Cat. No.	Drive Tang Size	Hub Diameter of Socket	Inside Diameter of Ring	Product Weight
21-965G	3/4 in	1-3/4 in	1-5/8 in	0.020 lb

### 3/4" Drive Retaining Ring

- Use to attach large impact sockets to the square drive anvil on impact wrenches
- Use in conjunction with retaining pin to secure socket
- Made in the USA



Cat. No.	Drive Tang Size	Product Weight
21-968G	3/4 in	0.045 lb

### 3/4" Drive Retaining Pin

- For use with 3/4" drive retaining rings
- 1-1/2" in length
- 3/16" in diameter
- Made in the USA



Cat. No.	Drive Tang Size	Dim. C: Overall Length	Product Weight
21-963G	3/4 in	1.5 in	0.015 lb

### 3/4" Drive 6 Point Standard Length Impact Sockets

- Chrome molybdenum alloy steel (Cr-Mo) for exceptional strength and durability
- Off-corner loading design reduces fastener rounding
- Manganese phosphate finish to resist corrosion
- High-visibility laser-etched markings provide quick size identification
- Secondary hard stamped size markings
- Meets or exceeds ASME specifications



Cat. No.	SAE/Metric	Fastener Size	Dim. A: Drive End	Dim. B: Wrench End	Dim. C: Overall Length	Dim. D: Bolt Clearance	Dim. E: Wrench Depth	Dim. F: Length to Shoulder	Product Weight
84796	SAE	1/2 in	1.614 in	.925 in	2.008 in	.344 in	.209 in	.906 in	.66
84797	SAE	9/16 in	1.614 in	1.004 in	2.008 in	.406 in	.249 in	.906 in	.66
84798	SAE	5/8 in	1.614 in	1.122 in	2.008 in	.469 in	.281 in	.906 in	.68
84799	SAE	11/16 in	1.614 in	1.161 in	2.008 in	.469 in	.318 in	.906 in	.73
84800	SAE	3/4 in	1.654 in	1.26 in	2.008 in	0.531 in	0.356 in	0.905 in	0.69 lb
84801	SAE	13/16 in	1.654 in	1.378 in	2.008 in	0.594 in	0.418 in	0.905 in	0.71 lb
84802	SAE	7/8 in	1.654 in	1.417 in	2.008 in	0.594 in	0.479 in	0.905 in	0.73 lb
84803	SAE	15/16 in	1.654 in	1.496 in	2.008 in	0.656 in	0.49 in	0.905 in	0.75 lb
84804	SAE	1 in	1.654 in	1.575 in	2.087 in	0.656 in	0.49 in	0.905 in	0.80 lb
84805	SAE	1-1/16 in	1.732 in	1.654 in	2.087 in	0.687 in	0.49 in	0.905 in	0.89 lb
84806	SAE	1-1/8 in	1.732 in	1.732 in	2.087 in	0.781 in	0.632 in	2.086 in	0.84 lb
84807	SAE	1-3/16 in	1.732 in	1.811 in	2.087 in	1.25 in	0.99 in	2.44 in	1.73 lb
84808	SAE	1-1/4 in	1.732 in	1.89 in	2.244 in	0.812 in	0.632 in	2.244 in	1.03 lb
84809	SAE	1-5/16 in	1.732 in	1.968 in	2.244 in	0.937 in	0.74 in	2.244 in	1.04 lb
84810	SAE	1-3/8 in	1.732 in	2.047 in	2.244 in	0.937 in	0.74 in	2.244 in	1.13 lb
84811	SAE	1-7/16 in	1.732 in	2.087 in	2.244 in	1 in	0.74 in	2.244 in	1.16 lb
84812	SAE	1-1/2 in	1.732 in	2.205 in	2.244 in	1.062 in	0.847 in	2.244 in	1.21 lb
84813	SAE	1-9/16 in	1.732 in	2.283 in	2.283 in	1.062 in	0.847 in	2.283 in	1.25 lb
84814	SAE	1-5/8 in	1.732 in	2.362 in	2.283 in	1.125 in	0.847 in	2.283 in	1.31 lb
84815	SAE	1-11/16 in	1.732 in	2.441 in	2.441 in	1.187 in	0.97 in	2.44 in	1.50 lb
84816	SAE	1-3/4 in	1.732 in	2.52 in	2.441 in	1.187 in	0.98 in	2.44 in	1.59 lb
84817	SAE	1-13/16 in	1.875 in	2.62 in	2.5 in	-	1.125 in	1.8 in	1.54 lb
84818	SAE	1-7/8 in	1.732 in	2.598 in	2.677 in	1.312 in	1.062 in	2.677 in	1.80 lb
84819	SAE	1-15/16 in	1.732 in	2.756 in	2.677 in	1.312 in	1.062 in	2.677 in	1.85 lb
84820	SAE	2 in	1.732 in	2.795 in	2.677 in	1.375 in	1.062 in	2.677 in	1.90 lb
84821	SAE	2-1/16 in	2.126 in	2.874 in	2.795 in	1.437 in	1.15 in	2.795 in	2.30 lb
84822	SAE	2-1/8 in	2.126 in	2.953 in	2.795 in	1.437 in	1.15 in	2.795 in	2.55 lb
84823	SAE	2-3/16 in	2.126 in	3.031 in	2.795 in	1.5 in	1.193 in	2.795 in	2.55 lb
84824	SAE	2-1/4 in	2.126 in	3.15 in	2.874 in	1.562 in	1.276 in	2.874 in	2.75 lb
84825	SAE	2-5/16 in	2.126 in	3.15 in	2.874 in	1.562 in	1.276 in	2.874 in	2.79 lb
84826	SAE	2-3/8 in	2.126 in	3.268 in	2.874 in	1.562 in	1.303 in	2.952 in	2.83 lb
84827	SAE	2-7/16 in	2.126 in	3.268 in	2.874 in	1.562 in	1.303 in	2.952 in	2.93 lb
84828	SAE	2-1/2 in	2.126 in	3.268 in	2.874 in	1.562 in	1.303 in	2.952 in	3.13 lb
84829	Metric	17 mm	1.732 in	1.189 in	2.008 in	.488 in	.378 in	.906 in	.84
84830D	Metric	19 mm	1.732 in	1.26 in	1.968 in	0.531 in	0.437 in	0.905 in	0.78 lb

continued on next page

IMPACT

IMPACT



**3/4" Drive 6 Point Impact Sockets** ■ *continued from previous page*

Cat. No.	SAE/Metric	Fastener Size	Dim. A: Drive End	Dim. B: Wrench End	Dim. C: Overall Length	Dim. D: Bolt Clearance	Dim. E: Wrench Depth	Dim. F: Length to Shoulder	Product Weight
84831	Metric	20 mm	1.732 in	1.319 in	1.968 in	0.551 in	0.452 in	0.905 in	0.78 lb
84832	Metric	21 mm	1.732 in	1.358 in	1.968 in	0.59 in	0.46 in	0.905 in	0.79 lb
84833	Metric	22 mm	1.732 in	1.402 in	1.968 in	0.59 in	0.49 in	0.905 in	0.81 lb
84834	Metric	23 mm	1.732 in	1.476 in	1.968 in	0.629 in	0.499 in	0.905 in	0.84 lb
84835	Metric	24 mm	1.732 in	1.508 in	1.968 in	0.688 in	0.545 in	0.905 in	0.84 lb
84836	Metric	25 mm	1.732 in	1.575 in	1.968 in	0.72 in	0.551 in	0.905 in	0.88 lb
84837	Metric	26 mm	1.732 in	1.602 in	1.968 in	0.72 in	0.574 in	0.905 in	0.88 lb
84838	Metric	27 mm	1.732 in	1.654 in	1.968 in	0.72 in	0.622 in	0.905 in	0.87 lb
84839	Metric	28 mm	1.732 in	1.732 in	1.968 in	0.748 in	0.639 in	2.086 in	0.91 lb
84840	Metric	29 mm	1.732 in	1.772 in	2.087 in	0.787 in	0.655 in	2.086 in	0.90 lb
84841	Metric	30 mm	1.732 in	1.811 in	2.087 in	0.787 in	0.655 in	2.086 in	0.92 lb
84842	Metric	31 mm	1.732 in	1.89 in	2.205 in	0.866 in	0.7 in	2.244 in	1.03 lb
84843	Metric	32 mm	1.732 in	1.89 in	2.205 in	0.905 in	0.72 in	2.244 in	1.02 lb
84844D	Metric	33 mm	1.732 in	1.968 in	2.205 in	0.944 in	0.749 in	2.244 in	1.09 lb
84845	Metric	34 mm	1.732 in	2.008 in	2.205 in	0.944 in	0.787 in	2.244 in	1.09 lb
84846	Metric	35 mm	1.732 in	2.047 in	2.205 in	0.944 in	0.791 in	2.244 in	1.12 lb
84847	Metric	36 mm	1.732 in	2.087 in	2.205 in	1.023 in	0.844 in	2.244 in	1.14 lb
84848	Metric	37 mm	1.732 in	2.165 in	2.205 in	1.023 in	0.844 in	2.244 in	1.16 lb
84849	Metric	38 mm	1.732 in	2.205 in	2.205 in	1.062 in	0.875 in	2.244 in	1.17 lb
84850	Metric	39 mm	1.732 in	2.244 in	2.205 in	1.062 in	0.875 in	2.283 in	1.15 lb
84851	Metric	40 mm	1.732 in	2.323 in	2.205 in	1.141 in	0.895 in	2.283 in	1.26 lb
84852	Metric	41 mm	1.732 in	2.323 in	2.205 in	1.2 in	0.98 in	2.283 in	1.31 lb
84853	Metric	42 mm	1.732 in	2.402 in	2.205 in	1.22 in	0.999 in	2.283 in	1.33 lb
84854	Metric	43 mm	1.732 in	2.402 in	2.205 in	1.22 in	0.999 in	2.44 in	1.46 lb
84855D	Metric	44 mm	1.732 in	2.402 in	2.205 in	1.22 in	0.999 in	2.44 in	1.60 lb
84856	Metric	45 mm	1.732 in	2.48 in	2.205 in	1.22 in	0.999 in	2.44 in	1.57 lb
84857	Metric	46 mm	1.732 in	2.598 in	2.441 in	1.279 in	1.125 in	2.44 in	1.54 lb
84858	Metric	47 mm	1.732 in	2.598 in	2.441 in	1.279 in	1.125 in	2.677 in	1.84 lb
84859	Metric	48 mm	1.732 in	2.598 in	2.441 in	1.279 in	1.125 in	2.677 in	1.88 lb
84860	Metric	49 mm	1.732 in	2.598 in	2.52 in	1.279 in	1.125 in	2.677 in	1.90 lb
84861	Metric	50 mm	1.732 in	2.598 in	2.52 in	1.437 in	1.171 in	2.677 in	2.81 lb

**3/4" Drive 6 Point Deep Length Impact Sockets**

- Chrome molybdenum alloy steel (Cr-Mo) for exceptional strength and durability
- Off-corner loading design reduces fastener rounding
- Manganese phosphate finish to resist corrosion
- High-visibility laser-etched markings provide quick size identification
- Secondary hard stamped size markings
- Meets or exceeds ASME specifications



Cat. No.	SAE/Metric	Fastener Size	Dim. A: Drive End	Dim. B: Wrench End	Dim. C: Overall Length	Dim. D: Bolt Clearance	Dim. E: Wrench Depth	Dim. F: Length to Shoulder	Product Weight
84890	SAE	9/16 in	1.614 in	1.004 in	3.543 in	.406 in	.249 in	2.362 in	1.170 lb
84891	SAE	5/8 in	1.614 in	1.122 in	3.543 in	.469 in	.281 in	2.362 in	1.170 lb
84892	Metric	11/16 in	1.614 in	1.161 in	3.543 in	.469 in	.318 in	2.362 in	1.170 lb
84863	SAE	3/4 in	1.654 in	1.26 in	3.543 in	0.531 in	0.356 in	2.362 in	1.07 lb
84864	SAE	13/16 in	1.654 in	1.378 in	3.543 in	0.594 in	0.418 in	2.362 in	1.16 lb
84865	SAE	7/8 in	1.654 in	1.417 in	3.543 in	0.594 in	0.479 in	2.362 in	1.17 lb
84866	SAE	15/16 in	1.654 in	1.496 in	3.543 in	0.656 in	0.49 in	2.362 in	1.23 lb
84867	SAE	1 in	1.654 in	1.575 in	3.543 in	0.656 in	0.49 in	2.362 in	1.26 lb
84868	SAE	1-1/16 in	1.732 in	1.654 in	3.543 in	0.687 in	0.49 in	2.362 in	1.41 lb
84869	SAE	1-1/8 in	1.732 in	1.732 in	3.543 in	0.781 in	0.632 in	2.632 in	1.47 lb
84870	SAE	1-3/16 in	1.732 in	1.811 in	3.543 in	0.781 in	0.632 in	2.632 in	1.54 lb
84871	SAE	1-1/4 in	1.732 in	1.89 in	3.543 in	0.812 in	0.632 in	2.632 in	1.66 lb
84872	SAE	1-5/16 in	1.732 in	1.968 in	3.543 in	0.937 in	0.74 in	2.632 in	1.70 lb
84873	SAE	1-3/8 in	1.732 in	2.047 in	3.543 in	0.937 in	0.74 in	2.632 in	1.83 lb
84874	SAE	1-7/16 in	1.732 in	2.087 in	3.543 in	1 in	0.74 in	2.632 in	1.81 lb
84875	SAE	1-1/2 in	1.732 in	2.205 in	3.543 in	1.062 in	0.847 in	2.632 in	1.99 lb
84876	SAE	1-9/16 in	1.732 in	2.283 in	3.543 in	1.062 in	0.847 in	2.632 in	2.07 lb
84877	SAE	1-5/8 in	1.732 in	2.362 in	3.543 in	1.125 in	0.847 in	2.632 in	2.15 lb
84878	SAE	1-11/16 in	1.732 in	2.441 in	3.543 in	1.187 in	0.97 in	2.632 in	2.25 lb
84879	SAE	1-3/4 in	1.732 in	2.52 in	3.543 in	1.187 in	0.98 in	2.632 in	2.45 lb
84880	SAE	1-13/16 in	1.732 in	2.598 in	3.543 in	1.25 in	0.99 in	2.632 in	2.51 lb
84881	SAE	1-7/8 in	1.732 in	2.677 in	3.543 in	1.312 in	1.062 in	2.632 in	2.56 lb
84882	SAE	1-15/16 in	1.732 in	2.756 in	3.543 in	1.312 in	1.062 in	2.632 in	2.67 lb
84883	SAE	2 in	1.732 in	2.795 in	3.543 in	1.375 in	1.062 in	2.632 in	2.79 lb
84982	Metric	19 mm	1.732 in	1.26 in	3.543 in	.531 in	.437 in	2.244 in	1.23 lb
84983	Metric	21 mm	1.732 in	1.358 in	3.543 in	.591 in	.461 in	2.244 in	1.28 lb
84984	Metric	22 mm	1.732 in	1.402 in	3.543 in	.591 in	.492 in	2.244 in	1.34 lb
84985	Metric	23 mm	1.732 in	1.496 in	3.543 in	.63 in	.5 in	2.244 in	1.36 lb
84986	Metric	24 mm	1.732 in	1.508 in	3.543 in	.689 in	.547 in	2.244 in	1.39 lb
84987	Metric	26 mm	1.732 in	1.602 in	3.543 in	.72 in	.575 in	2.244 in	1.47 lb
84988	Metric	27 mm	1.732 in	1.654 in	3.543 in	.72 in	.622 in	2.244 in	1.50 lb
84989	Metric	30 mm	1.732 in	1.811 in	3.543 in	.787 in	.657 in	2.559 in	1.65 lb
84990	Metric	32 mm	1.732 in	1.909 in	3.543 in	.906 in	.72 in	2.559 in	1.74 lb
84991	Metric	33 mm	1.732 in	1.988 in	3.543 in	.945 in	.752 in	2.559 in	1.80 lb
84992	Metric	35 mm	1.732 in	2.067 in	3.543 in	.945 in	.791 in	2.559 in	1.96 lb
84993	Metric	36 mm	1.752 in	2.106 in	3.543 in	1.024 in	.846 in	2.559 in	1.98 lb
84994	Metric	38 mm	1.752 in	2.205 in	3.543 in	1.063 in	.878 in	2.559 in	2.05 lb
84995	Metric	41 mm	1.772 in	2.362 in	3.543 in	1.201 in	.98 in	2.559 in	2.20 lb
84996	Metric	43 mm	1.772 in	2.48 in	3.543 in	1.22 in	1 in	2.559 in	2.37 lb

IMPACT

IMPACT

### 3/4" Drive Impact Hex Bit Sockets

- Chrome molybdenum alloy steel (Cr-Mo) for exceptional strength and durability
- Pin hole can be used with pin and O-ring for secure socket retention
- Manganese phosphate finish to resist corrosion
- High-visibility laser-etched markings provide quick size identification
- Secondary hard stamped size markings
- Meets or exceeds ASME specifications



Cat. No.	SAE/Metric	Fastener Size	Dim. A: Drive End	Dim. C: Overall Length	Dim. D: Bit Length	Product Weight
84894	SAE	9/16 in	1.732 in	3.465 in	.709 in	1.08 lb
84895	SAE	5/8 in	1.732 in	3.465 in	.787 in	1.09 lb
84896	SAE	3/4 in	1.732 in	3.465 in	.866 in	1.14 lb
84897	SAE	7/8 in	1.732 in	3.465 in	.945 in	1.25 lb
84898	SAE	1 in	1.732 in	3.465 in	1.024 in	1.36 lb
84962	Metric	14 mm	1.732 in	3.465 in	.709 in	1.01 lb
84963	Metric	17 mm	1.732 in	3.465 in	.787 in	1.09 lb
84964	Metric	19 mm	1.732 in	3.465 in	.866 in	1.14 lb
84965	Metric	22 mm	1.732 in	3.465 in	.945 in	1.13 lb
84966	Metric	24 mm	1.732 in	3.465 in	.945 in	1.33 lb

### 1" Drive Impact Extension

- Chrome molybdenum alloy steel (Cr-Mo) for exceptional strength and durability
- Through hole on square drive
- Pin hole can be used with pin and o-ring for secure socket retention
- Hard stamped size markings
- Manganese phosphate finish to resist corrosion
- Meets or exceeds ASME specifications



Cat. No.	Drive Tang Size	Overall Length	Product Weight
84298	1 in	7 in	2.83
84299	1 in	13 in	4.41

### 1" Drive Impact Adapter

- Chrome molybdenum alloy steel (Cr-Mo) for exceptional strength and durability
- Through hole on square drive
- Pin hole can be used with pin and o-ring for secure socket retention
- Hard stamped size markings
- Manganese phosphate finish to resist corrosion
- Meets or exceeds ASME specifications



Cat. No.	Female Drive Size	Male Drive Size	Dim. C: Overall Length	Product Weight
84297	1"	3/4"	2.87 in	1.35

### 1" Drive Impact Universal Joint

- Chrome molybdenum alloy steel (Cr-Mo) for exceptional strength and durability
- Through hole on square drive
- Pin hole can be used with pin and o-ring for secure socket retention
- Hard stamped size markings
- Manganese phosphate finish to resist corrosion
- Meets or exceeds ASME specifications



Cat. No.	Female Drive Size	Male Drive Size	Dim. C: Overall Length	Product Weight
84296	1"	1"	4.52 in	2.33

### 1" Drive Retaining Ring with Pin

- Use to attach large impact sockets to the square drive anvil on impact wrenches
- One piece design replaces separate pins and o-rings
- Molded in polyurethane plastic with a hardened resin insert for durability
- Made in the USA



Cat. No.	Drive Tang Size	Hub Diameter of Socket	Inside Diameter of Ring	Product Weight
22-964G	1 in	2-1/8 in	2 in	0.025 lb
22-965G	1 in	2-1/4 & 2-3/8	2-1/8 in	0.025 lb

### 1" Drive Retaining Ring

- Use to attach large impact sockets to the square drive anvil on impact wrenches
- Use in conjunction with retaining pin to secure socket
- Made in the USA



Cat. No.	Drive Tang Size	Product Weight
22-968G	1 in	0.045 lb

### 1" Drive Retaining Pin

- For use with 3/4" drive retaining rings
- 1-7/8" in length
- 3/16" in diameter
- Made in the USA



Cat. No.	Drive Tang Size	Dim. C: Overall Length	Length	Product Weight
22-963G	1 in	1-7/8 in	1-7/8 in	0.015 lb

### 1" Drive 6 Point Standard Length Impact Sockets

- Chrome molybdenum alloy steel (Cr-Mo) for exceptional strength and durability
- Off-corner loading design reduces fastener rounding
- Manganese phosphate finish to resist corrosion
- High-visibility laser-etched markings provide quick size identification
- Secondary hard stamped size markings
- Meets or exceeds ASME specifications



Cat. No.	SAE/Metric	Fastener Size	Dim. A: Drive End	Dim. B: Wrench End	Dim. C: Overall Length	Dim. D: Bolt Clearance	Dim. E: Wrench Depth	Dim. F: Length to Shoulder	Product Weight
84200	SAE	3/4 in	2.114 in	1.378 in	2.283 in	.531 in	.356 in	.984 in	1.25 lb
84201	SAE	13/16 in	2.114 in	1.378 in	2.283 in	.594 in	.418 in	.984 in	1.25 lb
84202	SAE	7/8 in	2.114 in	1.516 in	2.283 in	.594 in	.479 in	.984 in	1.25 lb
84203	SAE	15/16 in	2.114 in	1.583 in	2.283 in	.656 in	.49 in	.984 in	1.28 lb
84204	SAE	1 in	2.114 in	1.673 in	2.362 in	.656 in	.49 in	1.063 in	1.30 lb
84205	SAE	1-1/16 in	2.126 in	1.732 in	2.362 in	.687 in	.49 in	1.063 in	1.34 lb
84206	SAE	1-1/8 in	2.126 in	1.791 in	2.441 in	.781 in	.632 in	1.024 in	1.61 lb
84207	SAE	1-3/16 in	2.126 in	1.929 in	2.441 in	.796 in	.632 in	1.024 in	1.65 lb
84208	SAE	1-1/4 in	2.126 in	2.028 in	2.48 in	.812 in	.632 in	.984 in	1.67 lb
84209	SAE	1-5/16 in	2.126 in	2.126 in	2.48 in	.937 in	.74 in	2.48 in	1.72 lb
84210	SAE	1-3/8 in	2.126 in	2.165 in	2.598 in	.937 in	.74 in	1.614 in	1.74 lb
84211	SAE	1-7/16 in	2.126 in	2.224 in	2.598 in	1 in	.74 in	1.575 in	1.80 lb
84212	SAE	1-1/2 in	2.126 in	2.323 in	2.598 in	1.062 in	.847 in	1.575 in	1.91 lb
84213	SAE	1-9/16 in	2.126 in	2.402 in	2.598 in	1.062 in	.847 in	1.575 in	1.91 lb
84214	SAE	1-5/8 in	2.126 in	2.461 in	2.677 in	1.125 in	.847 in	1.575 in	1.98 lb
84215	SAE	1-11/16 in	2.126 in	2.559 in	2.756 in	1.187 in	.97 in	1.654 in	2.16 lb
84216	SAE	1-3/4 in	2.362 in	2.657 in	2.756 in	1.187 in	.98 in	1.614 in	2.57 lb
84217	SAE	1-13/16 in	2.362 in	2.717 in	2.835 in	1.25 in	.99 in	1.693 in	2.64 lb
84218	SAE	1-7/8 in	2.362 in	2.756 in	2.835 in	1.312 in	1.062 in	1.654 in	2.90 lb
84219	SAE	1-15/16 in	2.362 in	2.854 in	2.992 in	1.312 in	1.062 in	1.811 in	3.17 lb
84220	SAE	2 in	2.362 in	2.913 in	3.031 in	1.375 in	1.062 in	1.85 in	3.23 lb
84221	SAE	2-1/16 in	2.362 in	3.012 in	3.15 in	1.437 in	1.169 in	1.89 in	3.34 lb
84222	SAE	2-1/8 in	2.362 in	3.11 in	3.15 in	1.5 in	1.169 in	1.89 in	3.37 lb
84223	SAE	2-3/16 in	2.402 in	3.15 in	3.307 in	1.5 in	1.193 in	2.047 in	3.74 lb
84224	SAE	2-1/4 in	2.402 in	3.276 in	3.307 in	1.562 in	1.276 in	2.047 in	3.89 lb
84225	SAE	2-5/16 in	2.402 in	3.335 in	3.307 in	1.562 in	1.276 in	2.047 in	4.03 lb
84226	SAE	2-3/8 in	2.402 in	3.406 in	3.465 in	1.562 in	1.303 in	2.205 in	4.18 lb
84227	SAE	2-7/16 in	2.402 in	3.524 in	3.465 in	1.687 in	1.353 in	2.205 in	4.66 lb
84228	SAE	2-1/2 in	2.402 in	3.583 in	3.465 in	1.75 in	1.353 in	2.205 in	4.73 lb
84229	SAE	2-9/16 in	2.402 in	3.642 in	3.465 in	1.75 in	1.38 in	2.205 in	4.77 lb
84230	SAE	2-5/8 in	2.402 in	3.72 in	3.465 in	1.812 in	1.46 in	2.205 in	4.99 lb
84231	SAE	2-11/16 in	2.402 in	3.799 in	3.78 in	.694 in	1.46 in	2.283 in	5.32 lb
84232	SAE	2-3/4 in	2.402 in	3.898 in	3.78 in	1.875 in	1.49 in	2.283 in	5.52 lb
84233	SAE	2-13/16 in	2.402 in	40.35 in	3.78 in	1.937 in	1.567 in	2.283 in	6.05 lb
84234	SAE	2-7/8 in	2.402 in	4.035 in	3.78 in	1.937 in	1.567 in	2.283 in	6.20 lb

■ continued on next page

**1" Drive 6 Point Impact Sockets** ■ *continued from previous page*

Cat. No.	SAE/Metric	Fastener Size	Dim. A: Drive End	Dim. B: Wrench End	Dim. C: Overall Length	Dim. D: Bolt Clearance	Dim. E: Wrench Depth	Dim. F: Length to Shoulder	Product Weight
84235	SAE	2-15/16 in	2.402 in	4.087 in	3.937 in	1.937 in	1.6 in	2.441 in	6.20 lb
84236	SAE	3 in	2.402 in	4.193 in	3.937 in	2.125 in	1.675 in	2.441 in	6.45 lb
84237	SAE	3-1/8 in	2.402 in	4.331 in	3.937 in	2.125 in	1.708 in	2.441 in	6.51 lb
84238	SAE	3-1/4 in	2.402 in	4.528 in	3.937 in	2.313 in	1.708 in	2.441 in	7.41 lb
84239	SAE	3-3/8 in	2.402 in	4.685 in	4.173 in	2.375 in	1.87 in	2.677 in	7.85 lb
84240	SAE	3-1/2 in	2.402 in	4.882 in	4.252 in	2.375 in	1.911 in	2.756 in	8.58 lb
84241	SAE	3-5/8 in	3.386 in	4.961 in	4.331 in	2.56 in	2 in	2.835 in	10.98 lb
84242	SAE	3-7/8 in	3.386 in	5.256 in	4.331 in	2.625 in	2.15 in	2.835 in	12.43 lb
84243	SAE	4 in	3.74 in	5.394 in	4.724 in	2.85 in	2.2 in	3.031 in	13.09 lb
84244	SAE	4-1/8 in	3.74 in	5.591 in	4.724 in	2.85 in	2.25 in	3.031 in	14.72 lb
84245	SAE	4-1/4 in	3.74 in	5.748 in	4.724 in	2.85 in	2.3 in	3.031 in	15.25 lb
84246	SAE	4-1/2 in	3.74 in	5.394 in	4.724 in	3.091 in	2.4 in	3.031 in	16.04 lb
84280	Metric	19 mm	2.126 in	1.378 in	2.283 in	.531 in	.437 in	.984 in	1.25 lb
84281	Metric	22 mm	2.126 in	1.535 in	2.283 in	.591 in	.492 in	.984 in	1.25 lb
84282	Metric	24 mm	2.126 in	1.634 in	2.283 in	.689 in	.547 in	.984 in	1.128 lb
84283	Metric	27 mm	2.126 in	1.772 in	2.362 in	.72 in	.622 in	1.024 in	1.34 lb
84284	Metric	28 mm	2.126 in	1.811 in	2.362 in	.748 in	.642 in	1.024 in	1.39 lb
84285	Metric	30 mm	2.126 in	1.929 in	2.441 in	.787 in	.657 in	1.024 in	1.65 lb
84286	Metric	32 mm	2.126 in	2.028 in	2.441 in	.906 in	.72 in	1.024 in	1.67 lb
84287	Metric	33 mm	2.126 in	2.067 in	2.441 in	.945 in	.752 in	1.024 in	1.67 lb
84288	Metric	36 mm	2.126 in	2.224 in	2.598 in	1.024 in	.846 in	1.575 in	1.80 lb
84289	Metric	41 mm	2.126 in	2.461 in	2.677 in	1.201 in	.98 in	1.575 in	1.98 lb
84290	Metric	46 mm	2.362 in	2.717 in	2.835 in	1.28 in	1.126 in	1.654 in	2.53 lb
84291	Metric	50 mm	2.362 in	2.913 in	2.992 in	1.437 in	1.173 in	1.811 in	2.88 lb
84292	Metric	55 mm	2.362 in	3.248 in	3.307 in	1.555 in	1.323 in	2.126 in	3.67 lb
84293	Metric	60 mm	2.362 in	3.406 in	3.465 in	1.555 in	1.378 in	2.283 in	4.07
84294	Metric	65 mm	2.362 in	3.642 in	3.622 in	1.555 in	1.378 in	2.441 in	4.55 lb

**1" Drive 6 Point Deep Length Impact Sockets**

- Chrome molybdenum alloy steel (Cr-Mo) for exceptional strength and durability
- Off-corner loading design reduces fastener rounding
- Manganese phosphate finish to resist corrosion
- High-visibility laser-etched markings provide quick size identification
- Secondary hard stamped size markings
- Meets or exceeds ASME specifications



Cat. No.	SAE/Metric	Fastener Size	Dim. A: Drive End	Dim. B: Wrench End	Dim. C: Overall Length	Dim. D: Bolt Clearance	Dim. E: Wrench Depth	Dim. F: Length to Shoulder	Product Weight
84248	SAE	7/8 in	2.114 in	1.516 in	4.252 in	.594 in	.479 in	2.756 in	2.35 lb
84249	SAE	15/16 in	2.114 in	1.579 in	4.252 in	.656 in	.49 in	2.756 in	2.40 lb
84250	SAE	1 in	2.114 in	1.681 in	4.252 in	.656 in	.49 in	2.756 in	2.49 lb
84251	SAE	1-1/16 in	2.126 in	1.74 in	4.252 in	.687 in	.49 in	2.756 in	2.62 lb
84252	SAE	1-1/8 in	2.126 in	1.799 in	4.252 in	.781 in	.632 in	2.756 in	2.75 lb
84253	SAE	1-3/16 in	2.126 in	1.929 in	4.252 in	.796 in	.632 in	2.756 in	2.79 lb
84254	SAE	1-1/4 in	2.126 in	2.028 in	4.252 in	.812 in	.632 in	2.756 in	2.84 lb
84255	SAE	1-5/16 in	2.126 in	2.126 in	4.252 in	.937 in	.74 in	4.252 in	2.88 lb
84256	SAE	1-3/8 in	2.126 in	2.165 in	4.252 in	.937 in	.74 in	3.228 in	2.93 lb
84257	SAE	1-7/16 in	2.126 in	2.224 in	4.252 in	1 in	.74 in	3.268 in	2.97 lb
84258	SAE	1-1/2 in	2.126 in	2.323 in	4.252 in	1.062 in	.847 in	3.268 in	3.08 lb
84259	SAE	1-9/16 in	2.126 in	2.402 in	4.252 in	1.062 in	.847 in	3.189 in	3.23 lb
84260	SAE	1-5/8 in	2.126 in	2.461 in	4.252 in	1.125 in	.847 in	3.189 in	3.39 lb
84261	SAE	1-11/16 in	2.126 in	2.559 in	4.252 in	1.187 in	.97 in	3.189 in	3.52 lb
84262	SAE	1-3/4 in	2.374 in	2.657 in	4.252 in	1.187 in	.98 in	3.15 in	3.67 lb
84263	SAE	1-13/16 in	2.374 in	2.717 in	4.252 in	1.25 in	.99 in	3.15 in	3.76 lb
84264	SAE	1-7/8 in	2.374 in	2.756 in	4.252 in	1.312 in	1.062 in	3.11 in	3.85 lb
84265	SAE	1-15/16 in	2.374 in	2.854 in	4.252 in	1.312 in	1.062 in	3.11 in	3.96 lb
84266	SAE	2 in	2.374 in	2.913 in	4.252 in	1.375 in	1.062 in	3.11 in	4.07 lb
84267	SAE	2-1/16 in	2.374 in	3.012 in	4.252 in	1.437 in	1.169 in	3.031 in	4.27 lb
84268	SAE	2-1/8 in	2.374 in	3.11 in	4.252 in	1.5 in	1.169 in	2.992 in	4.36 lb
84269	SAE	2-13/16 in	2.386 in	3.15 in	4.252 in	1.5 in	1.193 in	2.953 in	4.44 lb
84270	SAE	2-1/4 in	2.386 in	3.276 in	4.252 in	1.562 in	1.276 in	2.953 in	4.58 lb
84271	SAE	2-5/16 in	2.386 in	3.339 in	4.252 in	1.562 in	1.276 in	2.953 in	4.73 lb
84272	SAE	2-3/8 in	2.386 in	3.406 in	4.252 in	1.562 in	1.303 in	2.953 in	4.86 lb
84273	SAE	2-9/16 in	2.386 in	3.685 in	3.386 in	1.75 in	1.38 in	3.386 in	5.43 lb
84274	SAE	2-3/4 in	2.386 in	3.898 in	3.425 in	1.875 in	1.49 in	3.425 in	5.74 lb



**GW GEARWRENCH**

**A revolution in extraction sockets.**

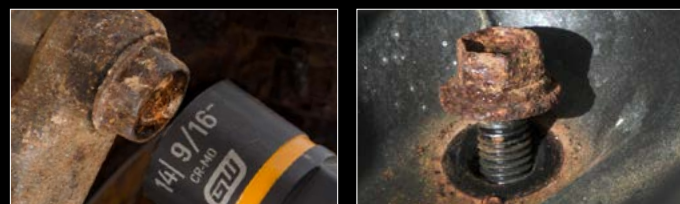
IMPACT



**BOLT BITER™**

Extraction Sockets

Bolt Biter reinvents extraction with a bi-directional design that tightens and loosens damaged fasteners using tapered gripping flutes instead of cutting blades. Bolt Biter grips rusted and rounded fasteners instead of cutting into them for a 10x longer life than the competition under impact power, all backed by our Lifetime Warranty. Master sets include "minus-sized" sockets designed to fit fasteners rounded well beneath their original size. Forge Ahead with GEARWRENCH.



Bi-directional design lets you re-use those hard-to-replace specialty fasteners



RATCHETS, SOCKETS, AND DRIVE TOOLS

WRENCHES

IMPACT

TORQUE WRENCHES

SCREWDRIVERS & NUTDRIVERS

PLIERS

CUTTING AND FILING

STRIKING AND STRUCK

PRY BARS

LIGHTING

AUTOMOTIVE SPECIALTY

TOOL STORAGE

MASTER SETS



**FORGE AHEAD**

### 120XP™ Micrometer Torque Wrenches

- 120XP™ head provides a 3° ratcheting arc to turn fasteners in narrow spaces
- Torque accuracy of +/- 3% CW in the upper 80% of wrench capability delivers high performance
- Enclosed ratchet head design resists dirt infiltration for continuous and efficient execution
- Low profile tube, teardrop head, and flush mounted on/off switch allow better access in tight confines
- Scale markings are highly visible and easy to read
- Knurled aluminum handle lets you grip comfortably, while clearly marked midpoint promotes additional accuracy
- 100% steel construction offers lasting strength and durability
- Meets or exceeds ASME B107.300 and exceeds ANSI specifications on load and cycle
- Injection molded case with removable lid and EVA foam insert for secure storage and convenience
- 1 year limited warranty; calibration accuracy warranted for 90 days



Cat. No.	Certified Model No.	Drive Tang Size	Primary Scale Range - Max Torque	Primary Scale Increments	Alternate Scale Range - Max Torque	Alt Scale Increments	Head Thickness	Head Width	Overall Length	Product Weight
85171	85171CERT	1/4 in	30 in/lb - 200 in/lb	1 in/lb	3.95 Nm - 23.16 Nm	.11 Nm	.39 in	1 in	11 in	.85 lb
85176	85176CERT	3/8 in	10 ft/lb - 100 ft/lb	1 ft/lb	20.3 Nm - 142.4 Nm	1.4 Nm	.55 in	1.25 in	18.25 in	2.55 lb
85181	85181CERT	1/2 in	30 ft/lb - 250 ft/lb	2 ft/lb	54.2 Nm - 352.6 Nm	2.7 Nm	.75 in	1.75 in	24.875 in	3.7 lb

### Micrometer Torque Wrenches

- Thin profile, sealed, teardrop head design offers improved access and durability for highly effective application
- Torque accuracy of +/- 3% CW between 20% and 100% of wrench capability
- Meets or exceeds ISO 6789 and ASME B107.300-2010 standards and specifications
- Pull adjustment collar feature allows you to make quick and easy torque setting changes
- Scale markings are highly visible and easy to read
- Knurled anodized aluminum handle lets you grip the wrench comfortably, helping to reduce hand fatigue
- Midpoint on handle clearly marked for accuracy
- 1 year limited warranty; calibration accuracy warranted for 90 days



Cat. No.	Certified Model Number	Drive Tang Size	Primary Scale Range - Max Torque	Primary Scale Increments	Alternate Scale Range - Max Torque	Alt Scale Increments	Head Thickness	Head Width	Overall Length	Product Weight
85060	85060CERT	1/4 in	30 in/lb - 200 in/lb	1 in/lb	3.95 Nm - 23.16 Nm	0.11 Nm	0.54 in	1.1 in	10.5 in	0.80 lb
85061	85061CERT	3/8 in	30 in/lb - 250 in/lb	1 in/lb	4.52 Nm - 29.38 Nm	0.23 Nm	0.72 in	1.4 in	14 in	1.95 lb
85062	85062CERT	3/8 in	10 ft/lb - 100 ft/lb	1 ft/lb	20.3 Nm - 142.4 Nm	1.4 Nm	0.72 in	1.4 in	18 in	2.50 lb
85063	85063CERT	1/2 in	20 ft/lb - 150 ft/lb	1 ft/lb	33.9 Nm - 210.2 Nm	1.4 Nm	0.81 in	1.75 in	21.9 in	3.10 lb
85066	85066CERT	1/2 in	30 ft/lb - 250 ft/lb	2 ft/lb	54.2 Nm - 352.6 Nm	2.7 Nm	0.81 in	1.75 in	24.3 in	3.50 lb

### 1/2" Drive Tire Shop Micrometer Torque Wrench

- Specifically for checking wheel lug nuts to manufacturer recommended torque value
- Wrench design helps prevent the warping of brake rotors caused by over torqueing
- "Tire Tread" rubber cover on the head, lock ring and handle provides a cushioning effect to reduce fatigue and tool damage
- Torque accuracy of +/- 3% CW between 20% and 100% of wrench capability
- Calibrated on test equipment to meet ISO 6789 specifications and accuracy requirements of ASME B107.300-2010
- 32-tooth ratchet mechanism with an 11° swing arc lets you turn fasteners in hard-to-reach places
- Pull adjustment collar feature allows you to make quick and easy torque setting changes
- Scale markings are highly visible and easy to read
- 1 year limited warranty; calibration accuracy warranted for 90 days



Cat. No.	Drive Tang Size	Primary Scale Range - Max Torque	Primary Scale Increments	Alternate Scale Range - Max Torque	Alt Scale Increments	Head Thickness	Head Width	Overall Length	Product Weight
85088	1/2 in	30 ft/lb - 250 ft/lb	2 ft/lb	54.2 Nm - 352.6 Nm	2.7 Nm	0.99 in	2.21 in	24.9 in	3.47 lb

### 3/4" Drive Micrometer Torque Wrench

- 36-tooth ratchet mechanism with a 10° swing arc allows you to turn fasteners in spaces other tools can't fit
- Torque accuracy of +/- 3% CW between 20% and 100% of wrench capability
- Meets or exceeds ISO 6789 and ASME B107.300-2010 standards and specifications
- Twist locking collar provides a secure locking mechanism for consistent performance
- Scale markings are highly visible and easy to read
- Pliable, elastomer handle lets you grip comfortably, while oil and solvent resistance feature keeps your hands in place
- 1 year limited warranty; calibration accuracy warranted for 90 days



Cat. No.	Certified Model Number	Drive Tang Size	Primary Scale Range - Max Torque	Primary Scale Increments	Alternate Scale Range - Max Torque	Alt Scale Increments	Head Thickness	Head Width	Overall Length	Product Weight
85065	85065CERT	3/4 in	100 ft/lb - 600 ft/lb	2.5 ft/lb	152.6 Nm - 830.6 Nm	3.4 Nm	1.14 in	2.62 in	42.4 in	15.8 lb



### Flex Head Micrometer Torque Wrenches

- Thin profile, sealed teardrop head design offers greater access and more durability for highly effective application
- Torque accuracy of +/- 3% CW between 20% and 100% of wrench capability
- Meets or exceeds ISO 6789 and ASME B107.300-2010 standards and specifications
- Ratcheting head flexes up to 30° for improved access in narrow work spaces
- Pull adjustment collar feature allows you to make quick and easy torque setting changes
- Scale markings are highly visible and easy to read
- Knurled anodized aluminum handle lets you grip the wrench comfortably, helping to reduce hand fatigue
- Midpoint on handle clearly marked for accuracy
- 1 year limited warranty; calibration accuracy warranted for 90 days



Cat. No.	Certified Model Number	Drive Tang Size	Primary Scale Range - Max Torque	Primary Scale Increments	Alternate Scale Range - Max Torque	Alt Scale Increments	Head Thickness	Head Width	Overall Length	Product Weight
85086	85086CERT	3/8 in	5 ft/lb - 75 ft/lb	0.5 ft/lb	10.17 Nm - 105.1 Nm	0.68 Nm	0.72 in	1.4 in	17.7 in	2.42 lb
85087	85087CERT	1/2 in	30 ft/lb - 250 ft/lb	2 ft/lb	54.2 Nm - 352.6 Nm	2.7 Nm	0.93 in	1.75 in	25.25 in	3.82 lb

### 120XP™ Electronic Flex Head Torque Wrenches with Angle

- 120XP™ head provides a 3° ratcheting arc to turn fasteners in narrow spaces
- Low profile tube, 15° flex teardrop head, and flush mounted on/off switch allow for better access in tight confines
- Digitally tracks torque and angle measurements. Vibrating handle, buzzer, and LCD screen alert when target torque is reached
- 3 function modes feature peak torque, angle, and peak angle for additional versatility
- 5 torque measurement units provide a readout in ft-lb, in-lb, Nm, Kg-m, and Kg-cm
- 10 available preset torque settings allow you to quickly access frequently repeated applications
- Torque accuracy of +/-2% CW and +/-3% CCW between 20% and 100% of wrench capability
- Angle settings offer +/-1% of reading of angle accuracy
- Knurled aluminum handle lets you grip comfortably, while clearly marked midpoint promotes additional accuracy
- Meets or exceeds ASME standards and specifications
- 1 year limited warranty; calibration accuracy warranted for 90 days



Cat. No.	Drive Tang Size	Primary Scale Range - Max Torque	Primary Scale Increments	Alternate Scale Range - Max Torque	Alt Scale Increments	Head Thickness	Head Width	Overall Length	Product Weight
85194	1/4 in	2 ft/lb - 20 ft/lb	.1 ft/lb	2.7 Nm - 27 Nm	.1 Nm	.75 in	.98 in	15.59 in	1.5 lb
85195	3/8 in	10 ft/lb - 100 ft/lb	.1 ft/lb	13.5 Nm - 135 Nm	.1 Nm	.72 in	1.25 in	16.02 in	1.8 lb
85196	1/2 in	25 ft/lb - 250 ft/lb	.1 ft/lb	34 Nm - 340 Nm	.1 Nm	.93 in	1.73 in	23.7 in	2.9 lb

### Electronic Flex-Head Torque Wrenches with Angle

- "Target Torque Alert" gives a warning as you approach the target torque; vibrating handle, buzzer, and solid LED light indicate when target is reached
- 72-tooth ratchet mechanism with a 5° swing arc allows you to turn fasteners in tight spaces
- Handle and housing are oil and solvent resistant, protecting the tool from harmful agents and keeping your hands in place
- 3 function modes feature peak torque, angle, and peak angle for additional versatility
- 5 torque measurement units provide a readout in ft-lb, in-lb, Nm, Kg-m, and Kg-cm
- 10 available preset torque settings allow you to quickly access frequently repeated applications
- Torque accuracy of +/-2% CW and +/-3% CCW between 20% and 100% of wrench capability. Angle settings offer +/-1% of reading of angle accuracy
- Requires 2 AA batteries (not included)
- Meets or exceeds ASME B107.28M standards and specifications
- 1 year limited warranty; calibration accuracy warranted for 90 days



Cat. No.	Drive Tang Size	Primary Scale Range - Max Torque	Primary Scale Increments	Alternate Scale Range - Max Torque	Alt Scale Increments	Head Thickness	Head Width	Overall Length	Product Weight
85078	3/8 in	10 ft/lb - 100 ft/lb	.1 ft/lb	10 Nm - 135 Nm	.1 Nm	.7 in	1.25 in	16.75 in	2.730 lb
85079	1/2 in	25 ft/lb - 250 ft/lb	.1 ft/lb	34 Nm - 340 Nm	.1 Nm	.84 in	1.58 in	25 in	3.008 lb

### Electronic Torque Wrenches

- "Target Torque Alert" gives a warning as you approach the target torque; vibrating handle, buzzer, and solid LED light indicate when target is reached
- 72-tooth ratchet mechanism with a 5° swing arc allows you to turn fasteners in tight spaces
- Handle and housing are oil and solvent resistant, protecting the tool from harmful agents and keeping your hands in place
- 5 torque measurement units provide a readout in Nm, ft-lb, in-lb, Kgf-m, and Kgf-cm
- Torque accuracy of +/-2% CW and +/-3% CCW between 20% and 100% of wrench capability
- Requires 2 AA batteries (not included)
- Meets or exceeds ASME B107.28M standards and specifications
- 1 year limited warranty; calibration accuracy warranted for 90 days



Cat. No.	Drive Tang Size	Primary Scale Range - Max Torque	Primary Scale Increments	Alternate Scale Range - Max Torque	Alt Scale Increments	Head Thickness	Head Width	Overall Length	Product Weight
85076	3/8 in	10 Nm - 135 Nm	0.1 Nm	7.4 ft/lb - 99.6 ft/lb	0.1 ft/lb	.7 in	1.25 in	15.75 in	1.98 lb
85077	1/2 in	30 Nm - 340 Nm	0.1 Nm	25.1 ft/lb - 250.8 ft/lb	0.1 ft/lb	0.85 in	1.58 in	25.75 in	2.88 lb

**Beam Torque Wrenches**

- Directly measure a variety of torque values when tightening fasteners
- Torque accuracy of +/-7% when measuring torque in a clockwise or counterclock wise direction
- Scale includes both SAE and metric sizes and provides a readout in ft-lb, Nm, and in-lb
- Bend pointer to zero before use
- Palm-fit handle pivots on the beam to maintain a constant distance from the drive point for precise measurement



Cat. No.	Drive Tang Size	Primary Scale Range - Max Torque	Primary Scale Increments	Alternate Scale Range - Max Torque	Alt Scale Increments	Head Thickness	Head Width	Overall Length	Product Weight
2955N	1/4 in	0 in/lb - 80 in/lb	2.5 in/lb	0 Nm - 9 Nm	0.25 Nm	1.325 in	.8125 in	11.25 in	0.8 lb
2956N	3/8 in	0 in/lb - 800 in/lb	50 in/lb	0 Nm - 90 Nm	12 Nm	1.325 in	.8125 in	16 in	1.0 lb
2957N	1/2 in	0 ft/lb - 150 ft/lb	5 ft/lb	0 Nm - 190 Nm	27 Nm	1.25 in	1.125 in	20 in	2.5 lb

**750 Foot Pound Reaction Bar Torque Multiplier**

- Low input torque is required and can easily be applied by one person
- Internal planetary gear system provides strength and durability
- Place an impact socket on the output square to attach to the fastener, then restrain the reaction bar against the equipment being serviced
- Input and output rotate in a matching direction, while the reaction arm moves in the opposite direction from the input/output force
- Torque accuracy of +/- 5% CW between 20% and 100% of wrench capability
- Made in the USA
- 1 year limited warranty; calibration accuracy warranted for 90 days



Cat. No.	Input Drive	Output Drive	Max Input (ft.lb.)	Max Output (ft.lb.)	Gear Ratio	Torque Ratio	Head Thickness	Head Width	Overall Length	Product Weight
64-830G	1/2 in	3/4 in	227 ft/lb	750 ft/lb	4.0:1	3.3:1	3.3 in	2.812 in	8.531 in	4.7 lb

**1,200 Foot Pound Reaction Bar Torque Multiplier**

- Low input torque is required and can easily be applied by one person
- Internal planetary gear system provides strength and durability
- Place an impact socket on the output square to attach to the fastener, then restrain the reaction bar against the equipment being serviced
- Input and output rotate in a matching direction, while the reaction arm moves in the opposite direction from the input/output force
- Torque accuracy of +/- 5% CW between 20% and 100% of wrench capability
- Square drive shears at 3% to 10% of overload torque to help protect against internal damage and permits easy replacement of the square drive
- Built-in anti-backlash maintains the multipliers input torque, allowing the use of a ratcheting head torque wrench for more efficiency
- Built-in angle of turn protractor displays the output angle, providing effective use on fasteners requiring a specific angle rotation after applied torque
- Made in the USA
- 1 year limited warranty; calibration accuracy warranted for 90 days



Cat. No.	Input Drive	Output Drive	Max Input (ft.lb.)	Max Output (ft.lb.)	Gear Ratio	Torque Ratio	Torque Multiplier Type	Head Thickness	Head Width	Overall Length	Replacement Square Drive	Product Weight
64-832G	1/2 in	3/4 in	200 ft/lb	1200 ft/lb	6.3:1	6.0:1	Reaction Bar	4 in	3.94 in	14.125 in	64-850G	9.1 lb

**2,000 Foot Pound Reaction Bar Torque Multiplier**

- Low input torque is required and can easily be applied by one person
- Internal planetary gear system provides strength and durability
- Place an impact socket on the output square to attach to the fastener, then restrain the reaction bar against the equipment being serviced
- Input and output rotate in a matching direction, while the reaction arm moves in the opposite direction from the input/output force
- Torque accuracy of +/- 5% CW between 20% and 100% of wrench capability
- Made in the USA
- 1 year limited warranty; calibration accuracy warranted for 90 days



Cat. No.	Input Drive	Output Drive	Max Input (ft.lb.)	Max Output (ft.lb.)	Gear Ratio	Torque Ratio	Torque Multiplier Type	Head Thickness	Head Width	Overall Length	Product Weight
64-833G	3/4 in	1 in	500 ft/lb	2000 ft/lb	4.27:1	3.5:1	Reaction Bar	4.5 in	3.8 in	19.5 in	14 lb



### 2,200 Foot Pound Reaction Bar Torque Multiplier

- Low input torque is required and can easily be applied by one person
- Internal planetary gear system provides strength and durability
- Place an impact socket on the output square to attach to the fastener, then restrain the reaction bar against the equipment being serviced
- Input and output rotate in a matching direction, while the reaction arm moves in the opposite direction from the input/output force
- Torque accuracy of +/- 5% CW between 20% and 100% of wrench capability
- Square drive shears at 3% to 10% of overload torque to help protect against internal damage and permits easy replacement of the square drive
- Built-in anti-backlash maintains the multipliers input torque, allowing the use of a ratcheting head torque wrench for more efficiency
- Built-in angle of turn protractor displays the output angle, providing effective use on fasteners requiring a specific angle rotation after applied torque
- Made in the USA
- 1 year limited warranty; calibration accuracy warranted for 90 days



Cat. No.	Input Drive	Output Drive	Max Input (ft.lb.)	Max Output (ft.lb.)	Gear Ratio	Torque Ratio	Torque Multiplier Type	Head Thickness	Head Width	Overall Length	Replacement Square Drive	Product Weight
64-834G	1/2 in	1 in	162 ft/lb	2200 ft/lb	15.0:1	13.6:1	Reaction Bar	5.7 in	4.031 in	20 in	64-851G	20.6 lb

### 3,200 Foot Pound Reaction Bar Torque Multiplier

- Low input torque is required and can easily be applied by one person
- Internal planetary gear system provides strength and durability
- Place an impact socket on the output square to attach to the fastener, then restrain the reaction bar against the equipment being serviced
- Input and output rotate in a matching direction, while the reaction arm moves in the opposite direction from the input/output force
- Torque accuracy of +/- 5% CW between 20% and 100% of wrench capability
- Square drive shears at 3% to 10% of overload torque to help protect against internal damage and permits easy replacement of the square drive
- Built-in anti-backlash maintains the multipliers input torque, allowing the use of a ratcheting head torque wrench for more efficiency
- Built-in angle of turn protractor displays the output angle, providing effective use on fasteners requiring a specific angle rotation after applied torque
- Made in the USA
- 1 year limited warranty; calibration accuracy warranted for 90 days



Cat. No.	Input Drive	Output Drive	Max Input (ft.lb.)	Max Output (ft.lb.)	Gear Ratio	Torque Ratio	Torque Multiplier Type	Head Thickness	Head Width	Overall Length	Replacement Square Drive	Product Weight
64-836G	1/2 in	1 in	173 ft/lb	3200 ft/lb	20.2:1	18.5:1	Reaction Bar	6.5 in	4.031 in	20 in	64-852G	22.1 lb

### Torque Multiplier Repair Kits

- For GEARWRENCH torque multipliers
- Drive tang only
- Made in the USA



Cat. No.	Input Drive	Output Drive	Used On	Product Weight
64-850G	1/2 in	3/4 in	64-832G	0.20 lb
64-851G	1/2 in	1 in	64-834G	0.52 lb
64-852G	1/2 in	1 in	64-836G	0.70 lb

**GW GEARWRENCH**

**Torque for the tightest spots.**



**120XP**

Our new 120XP™ Micrometer Torque Wrenches deliver 120 positions for a 3° swing arc and have a flattened low-clearance beam for reaching fasteners other ratcheting torque wrenches can't. A midpoint-marked knurled aluminum grip with flared ends puts your hand in perfect position for precise control. Available in 1/4", 3/8", and 1/2" drive sizes with accuracy of ±3%, they're the best micrometer torque wrenches we've ever made.

TORQUE WRENCHES



High definition scale markings are easier to read



Injection-molded case with custom foam insert and removable lid

RATCHETS, SOCKETS, AND DRIVE TOOLS

WRENCHES

IMPACT

TORQUE WRENCHES

SCREWDRIVERS & NUTDRIVERS

PLIERS

CUTTING AND FILING

STRIKING AND STRUCK

PRY BARS

LIGHTING

AUTOMOTIVE SPECIALTY

TOOL STORAGE

MASTER SETS





## 20 Pc. Combination Dual Material Screwdriver Set

- Ergonomic tri-lobe dual material handle provides the optimal balance of strength and efficiency
- "Speed Zone" handle design for faster rotation in low-torque applications
- Dual material handle offers a more comfortable grip and higher performance
- Non-Slip black oxide tip for more secure fit in fastener
- Blades laser etched with part number and size for quick identification
- Oil and solvent resistant handle provides a longer tool life
- Full polish alloy steel screwdriver shaft prevents rust and corrosion
- Meets or exceeds ASME standards for performance and quality



Cat. No.	Included Storage	Product Weight
80066	Tray	4.51 lb

Cat. No.	Description	Cat. No.	Description
80031	Dual Material Phillips® Mini Screwdriver #00 x 60mm	80035	Dual Material Slotted Mini Screwdriver 2mm x 60mm
80032	Dual Material Phillips® Mini Screwdriver #0 x 60mm	80036	Dual Material Slotted Mini Screwdriver 2.5mm x 60mm
80033	Dual Material Phillips® Mini Screwdriver #1 x 60mm	80018D	Dual Material Slotted Screwdriver 3/16" x 6"
80000	Dual Material Phillips® Screwdriver #0 x 2-1/2"	80012D	Dual Material Slotted Screwdriver 1/4" x 1-1/2"
80001	Dual Material Phillips® Screwdriver #1 x 3"	80013	Dual Material Slotted Screwdriver 1/4" x 4"
80004	Dual Material Phillips® Screwdriver #1 x 6"	80014	Dual Material Slotted Screwdriver 1/4" x 6"
80005	Dual Material Phillips® Screwdriver #2 x 1-1/2"	80023	Dual Material Slotted Screwdriver 5/16" x 6"
80007	Dual Material Phillips® Screwdriver #2 x 4"	80022	Dual Material Slotted Screwdriver 3/8" x 8"
80011	Dual Material Phillips® Screwdriver #3 x 6"	80025	Dual Material Torx® Screwdriver T15 x 4"
80034	Dual Material Slotted Mini Screwdriver 1.5mm x 60mm	80026D	Dual Material Torx® Screwdriver T20 x 4"



## 12 Pc. Combination Dual Material Screwdriver Set

- Ergonomic tri-lobe dual material handle provides the optimal balance of strength and efficiency
- "Speed Zone" handle design for faster rotation in low-torque applications
- Dual material handle offers a more comfortable grip and higher performance
- Non-Slip black oxide tip for more secure fit in fastener
- Blades laser etched with part number and size for quick identification
- Oil and solvent resistant handle provides a longer tool life
- Full polish alloy steel screwdriver shaft prevents rust and corrosion
- Meets or exceeds ASME standards for performance and quality



Cat. No.	Included Storage	Product Weight
80051	Tray	3.39 lb

Cat. No.	Description	Cat. No.	Description
80000	Dual Material Phillips® Screwdriver #0 x 2-1/2"	80018D	Dual Material Slotted Screwdriver 3/16" x 6"
80001	Dual Material Phillips® Screwdriver #1 x 3"	80012D	Dual Material Slotted Screwdriver 1/4" x 1-1/2"
80004	Dual Material Phillips® Screwdriver #1 x 6"	80013	Dual Material Slotted Screwdriver 1/4" x 4"
80005	Dual Material Phillips® Screwdriver #2 x 1-1/2"	80014	Dual Material Slotted Screwdriver 1/4" x 6"
80007	Dual Material Phillips® Screwdriver #2 x 4"	80023	Dual Material Slotted Screwdriver 5/16" x 6"
80011	Dual Material Phillips® Screwdriver #3 x 6"	80022	Dual Material Slotted Screwdriver 3/8" x 8"



## 10 Pc. Combination Dual Material Screwdriver Set

- Ergonomic tri-lobe dual material handle provides the optimal balance of strength and efficiency
- "Speed Zone" handle design for faster rotation in low-torque applications
- Dual material handle offers a more comfortable grip and higher performance
- Non-Slip black oxide tip for more secure fit in fastener
- Blades laser etched with part number and size for quick identification
- Oil and solvent resistant handle provides a longer tool life
- Full polish alloy steel screwdriver shaft prevents rust and corrosion
- Meets or exceeds ASME standards for performance and quality



Cat. No.	Included Storage	Product Weight
80060	Tray	2.20 lb

Cat. No.	Description	Cat. No.	Description
80001	Dual Material Phillips® Screwdriver #1 x 3"	80046	Dual Material Pozidriv® Screwdriver #3 x 6"
80007	Dual Material Phillips® Screwdriver #2 x 4"	80015	Dual Material Slotted Screwdriver 1/8" x 4"
80043	Dual Material Pozidriv® Screwdriver #0 x 2-1/2"	80017	Dual Material Slotted Screwdriver 3/16" x 4"
80044	Dual Material Pozidriv® Screwdriver #1 x 3"	80013	Dual Material Slotted Screwdriver 1/4" x 4"
80045	Dual Material Pozidriv® Screwdriver #2 x 4"	80023	Dual Material Slotted Screwdriver 5/16" x 6"



### 6 Pc. Combination Dual Material Screwdriver Set

- Ergonomic tri-lobe dual material handle provides the optimal balance of strength and efficiency
- “Speed Zone” handle design for faster rotation in low-torque applications
- Dual material handle offers a more comfortable grip and higher performance
- Non-Slip black oxide tip for more secure fit in fastener
- Blades laser etched with part number and size for quick identification
- Oil and solvent resistant handle provides a longer tool life
- Full polish alloy steel screwdriver shaft prevents rust and corrosion
- Meets or exceeds ASME standards for performance and quality



Cat. No.	Included Storage	Product Weight
80050	Tray	1.67 lb

Cat. No.	Description	Cat. No.	Description
80001	Dual Material Phillips® Screwdriver #1 x 3"	80013	Dual Material Slotted Screwdriver 1/4" x 4"
80007	Dual Material Phillips® Screwdriver #2 x 4"	80023	Dual Material Slotted Screwdriver 5/16" x 6"
80015	Dual Material Slotted Screwdriver 1/8" x 4"	80022	Dual Material Slotted Screwdriver 3/8" x 8"

### 5 Pc. Slotted Dual Material Screwdriver Set

- Ergonomic tri-lobe dual material handle provides the optimal balance of strength and efficiency
- “Speed Zone” handle design for faster rotation in low-torque applications
- Dual material handle offers a more comfortable grip and higher performance
- Non-Slip black oxide tip for more secure fit in fastener
- Blades laser etched with part number and size for quick identification
- Oil and solvent resistant handle provides a longer tool life
- Full polish alloy steel screwdriver shaft prevents rust and corrosion
- Meets or exceeds ASME standards for performance and quality



Cat. No.	Included Storage	Product Weight
80053	Tray	1.55 lb

Cat. No.	Description	Cat. No.	Description
80015	Dual Material Slotted Screwdriver 1/8" x 4"	80023	Dual Material Slotted Screwdriver 5/16" x 6"
80013	Dual Material Slotted Screwdriver 1/4" x 4"	80022	Dual Material Slotted Screwdriver 3/8" x 8"
80014	Dual Material Slotted Screwdriver 1/4" x 6"		

### 5 Pc. Phillips® Dual Material Screwdriver Set

- Ergonomic tri-lobe dual material handle provides the optimal balance of strength and efficiency
- “Speed Zone” handle design for faster rotation in low-torque applications
- Dual material handle offers a more comfortable grip and higher performance
- Non-Slip black oxide tip for more secure fit in fastener
- Blades laser etched with part number and size for quick identification
- Oil and solvent resistant handle provides a longer tool life
- Full polish alloy steel screwdriver shaft prevents rust and corrosion
- Meets or exceeds ASME standards for performance and quality



Cat. No.	Included Storage	Product Weight
80052	Tray	1.61 lb

Cat. No.	Description	Cat. No.	Description
80000	Dual Material Phillips® Screwdriver #0 x 2-1/2"	80010D	Dual Material Phillips® Screwdriver #2 x 8"
80001	Dual Material Phillips® Screwdriver #1 x 3"	80011	Dual Material Phillips® Screwdriver #3 x 6"
80007	Dual Material Phillips® Screwdriver #2 x 4"		

### 4 Pc. 16" & 20" Combination Dual Material Screwdriver Set

- Extra long blade for improved access to recessed fasteners
- “Speed Zone” handle design for faster rotation in low-torque applications
- Dual material handle offers a more comfortable grip and higher performance
- Non-Slip black oxide tip for more secure fit in fastener
- Ergonomic tri-lobe dual material handle provides the optimal balance of strength and efficiency
- Blades laser etched with part number and size for quick identification
- Oil and solvent resistant handle provides a longer tool life
- Full polish alloy steel screwdriver shaft prevents rust and corrosion
- Meets or exceeds ASME standards for performance and quality



Cat. No.	Included Storage
80069	None

Cat. No.	Description	Cat. No.	Description
80006	Dual Material Phillips® Screwdriver #2 x 16"	80021	Dual Material Slotted Screwdriver 3/8" x 16"
80002	Dual Material Phillips® Screwdriver #2 x 20"	80074	Dual Material Slotted Screwdriver 3/8" x 20"



### 2 Pc. Combination 24" Blade Dual Material Screwdriver Set

- Extra long blade for improved access to recessed fasteners
- "Speed Zone" handle design for faster rotation in low-torque applications
- Dual material handle offers a more comfortable grip and higher performance
- Non-Slip black oxide tip for more secure fit in fastener
- Ergonomic tri-lobe dual material handle provides the optimal balance of strength and efficiency
- Blades laser etched with part number and size for quick identification
- Oil and solvent resistant handle provides a longer tool life
- Full polish alloy steel screwdriver shaft prevents rust and corrosion
- Meets or exceeds ASME standards for performance and quality



Cat. No.	Included Storage	Product Weight
80068	None	0.98 lb

Cat. No.	Description
80008	Dual Material Phillips® Screwdriver #2 x 24"
80076	Dual Material Slotted Screwdriver 1/4" x 24"

### 7 Pc. Torx® 6" Blade Dual Material Screwdriver Set

- Ergonomic tri-lobe dual material handle provides the optimal balance of strength and efficiency
- "Speed Zone" handle design for faster rotation in low-torque applications
- Dual material handle offers a more comfortable grip and higher performance
- Non-Slip black oxide tip for more secure fit in fastener
- Blades laser etched with part number and size for quick identification
- Oil and solvent resistant handle provides a longer tool life
- Full polish alloy steel screwdriver shaft prevents rust and corrosion
- Meets or exceeds ASME standards for performance and quality



Cat. No.	Included Storage	Product Weight
80071	None	2.21 lb

Cat. No.	Description	Cat. No.	Description
82722	Dual Material Torx® Screwdriver T10 x 6"	82726	Dual Material Torx® Screwdriver T27 x 6"
82723	Dual Material Torx® Screwdriver T15 x 6"	82727	Dual Material Torx® Screwdriver T30 x 6"
82724	Dual Material Torx® Screwdriver T20 x 6"	82728	Dual Material Torx® Screwdriver T40 x 6"
82725	Dual Material Torx® Screwdriver T25 x 6"		

### 3 Pc. Torx® Long Dual Material Screwdriver Set

- Extra long blade for improved access to recessed fasteners
- "Speed Zone" handle design for faster rotation in low-torque applications
- Dual material handle offers a more comfortable grip and higher performance
- Non-Slip black oxide tip for more secure fit in fastener
- Ergonomic tri-lobe dual material handle provides the optimal balance of strength and efficiency
- Blades laser etched with part number and size for quick identification
- Oil and solvent resistant handle provides a longer tool life
- Full polish alloy steel screwdriver shaft prevents rust and corrosion
- Meets or exceeds ASME standards for performance and quality



Cat. No.	Included Storage	Product Weight
80064	Tray	3.20 lb

Cat. No.	Description
80086	Dual Material Torx® Screwdriver T15 x 18"
80087	Dual Material Torx® Screwdriver T20 x 18"
80088	Dual Material Torx® Screwdriver T25 x 18"

### 4 Pc. Pozidriv® Dual Material Screwdriver Set

- Ergonomic tri-lobe dual material handle provides the optimal balance of strength and efficiency
- "Speed Zone" handle design for faster rotation in low-torque applications
- Dual material handle offers a more comfortable grip and higher performance
- Non-Slip black oxide tip for more secure fit in fastener
- Blades laser etched with part number and size for quick identification
- Oil and solvent resistant handle provides a longer tool life
- Full polish alloy steel screwdriver shaft prevents rust and corrosion
- Meets or exceeds ASME standards for performance and quality



Cat. No.	Included Storage	Product Weight
80061	Tray	1.95 lb

Cat. No.	Description	Cat. No.	Description
80043	Dual Material Pozidriv® Screwdriver #0 x 2-1/2"	80045	Dual Material Pozidriv® Screwdriver #2 x 4"
80044	Dual Material Pozidriv® Screwdriver #1 x 3"	80046	Dual Material Pozidriv® Screwdriver #3 x 6"

### 4 Pc. Square Dual Material Screwdriver Set

- Ergonomic tri-lobe dual material handle provides the optimal balance of strength and efficiency
- “Speed Zone” handle design for faster rotation in low-torque applications
- Dual material handle offers a more comfortable grip and higher performance
- Non-Slip black oxide tip for more secure fit in fastener
- Blades laser etched with part number and size for quick identification
- Oil and solvent resistant handle provides a longer tool life
- Full polish alloy steel screwdriver shaft prevents rust and corrosion
- Meets or exceeds ASME standards for performance and quality



Cat. No.	Included Storage	Product Weight
80065	None	1.80 lb

Cat. No.	Description	Cat. No.	Description
80089	Dual Material Square Screwdriver #0 x 4"	80091	Dual Material Square Screwdriver #2 x 4"
80090	Dual Material Square Screwdriver #1 x 4"	80092	Dual Material Square Screwdriver #3 x 5"

### Phillips® Dual Material Screwdrivers

- Ergonomic tri-lobe dual material handle provides the optimal balance of strength and efficiency
- “Speed Zone” handle design for faster rotation in low-torque applications
- Dual material handle offers a more comfortable grip and higher performance
- Non-slip black oxide tip for more secure fit in fastener
- Blades laser etched with part number and size for quick identification
- Oil and solvent resistant handle provides a longer tool life
- Full polish alloy steel screwdriver shaft prevents rust and corrosion
- Available in a variety of blade lengths to meet the demands of any job
- Meets or exceeds ASME standards for performance and quality



Cat. No.	Tip Size	Blade Diameter	Blade Length	Overall Length	Handle Size (Dia. X Length)	Product Weight
80000	#0	0.118 in	2.5 in	5.768 in	0.91 in x 3.26 in	0.07 lb
80001	#1	0.196 in	3 in	7.127 in	1.17 in x 4.15 in	0.15 lb
80004	#1	0.195 in	6 in	10.09 in	1.16 in x 4.16 in	0.16 lb
80005	#2	0.236 in	1.5 in	4.094 in	1.31 in x 2.56 in	0.12 lb
80007	#2	0.237 in	4 in	8.7 in	1.29 in x 4.62 in	0.26 lb
80009	#2	0.237 in	6 in	10.675 in	1.28 in x 4.6 in	0.25 lb
80010D	#2	0.235 in	8 in	12.5 in	1.28 in x 4.62 in	0.28 lb
80006	#2	0.236 in	16 in	20.4 in	1.29 in x 4.62 in	0.44 lb
80002	#2	0.245 in	20 in	24.5 in	1.3 in x 4.61 in	0.4 lb
80008	#2	0.245 in	24 in	28.375 in	1.3 in x 4.61 in	0.45 lb
80011	#3	0.315 in	6 in	11.2 in	1.45 in x 5.12 in	0.41 lb

### Slotted Dual Material Screwdrivers

- Ergonomic tri-lobe dual material handle provides the optimal balance of strength and efficiency
- “Speed Zone” handle design for faster rotation in low-torque applications
- Dual material handle offers a more comfortable grip and higher performance
- Non-slip black oxide tip for more secure fit in fastener
- Blades laser etched with part number and size for quick identification
- Oil and solvent resistant handle provides a longer tool life
- Full polish alloy steel screwdriver shaft prevents rust and corrosion
- Available in a variety of blade lengths to meet the demands of any job
- Meets or exceeds ASME standards for performance and quality



Cat. No.	Tip Thickness	Tip Size	Blade Diameter	Blade Length	Overall Length	Handle Size (Dia. X Length)	Product Weight
80015	0.022 in	1/8 in	0.117 in	4 in	6.227 in	0.89 in x 3.22 in	0.08 lb
80017	0.033 in	3/16 in	0.196 in	4 in	8.125 in	1.15 in x 4.14 in	0.19 lb
80018D	0.033 in	3/16 in	0.196 in	6 in	10.05 in	1.16 in x 4.15 in	0.21 lb
80019D	0.033 in	3/16 in	0.195 in	10 in	14.17 in	1.17 in x 4.15 in	0.22 lb
80012D	0.040 in	1/4 in	0.236 in	1.5 in	4.101 in	1.31 in x 4.61 in	0.12 lb
80013	0.040 in	1/4 in	0.238 in	4 in	8.7 in	1.31 in x 4.61 in	0.22 lb
80014	0.040 in	1/4 in	0.237 in	6 in	10.625 in	1.29 in x 4.62 in	0.25 lb
80076	0.040 in	1/4 in	0.425 in	24 in	24 in	1.14 in x 4.14 in	0.45 lb
80023	0.046 in	5/16 in	0.315 in	6 in	13.14 in	1.45 in x 5.13 in	0.42 lb
80022	0.055 in	3/8 in	0.315 in	8 in	13.14 in	1.42 in x 5.12 in	0.46 lb
80020D	0.055 in	3/8 in	0.315 in	12 in	16.95 in	1.44 in x 5.12 in	0.53 lb
80021	0.055 in	3/8 in	0.315 in	16 in	20.9 in	1.45 in x 5.11 in	0.55 lb
80074	0.055 in	3/8 in	0.251 in	20 in	28.375 in	1.14 in x 4.14 in	0.62 lb

### Torx® Dual Material Screwdrivers

- Ergonomic tri-lobe dual material handle provides the optimal balance of strength and efficiency
- “Speed Zone” handle design for faster rotation in low-torque applications
- Dual material handle offers a more comfortable grip and higher performance
- Non-slip black oxide tip for more secure fit in fastener
- Blades laser etched with part number and size for quick identification
- Oil and solvent resistant handle provides a longer tool life
- Full polish alloy steel screwdriver shaft prevents rust and corrosion
- Available in a variety of blade lengths to meet the demands of any job
- Meets or exceeds ASME standards for performance and quality



Cat. No.	Tip Size	Blade Diameter	Blade Length	Overall Length	Handle Size (Dia. X Length)	Product Weight
80024D	T10	0.196 in	4 in	8.1 in	1.15 in x 4.14 in	0.16 lb
82722	T10	0.196 in	6 in	10.125 in	1.15 in x 4.14 in	0.17 lb
80025	T15	0.196 in	4 in	8.1 in	1.16 in x 4.14 in	0.16 lb
82723	T15	0.196 in	6 in	10.125 in	1.15 in x 4.14 in	0.17 lb
80086	T15	0.195 in	18 in	22 in	1.14 in x 4.14 in	0.45 lb
80026D	T20	0.196 in	4 in	8.1 in	1.16 in x 4.15 in	0.16 lb
82724	T20	0.196 in	6 in	10.125 in	1.15 in x 4.14 in	0.17 lb
80087	T20	0.195 in	18 in	22 in	1.17 in x 4.14 in	0.45 lb
80027	T25	0.235 in	4 in	8.6 in	1.3 in x 4.61 in	0.22 lb
82725	T25	0.235 in	6 in	10.6 in	1.31 in x 4.61 in	0.24 lb
80088	T25	0.235 in	18 in	22 in	1.3 in x 4.6 in	0.60 lb
80028D	T27	0.235 in	4 in	8.6 in	1.3 in x 4.61 in	0.22 lb
82726	T27	0.235 in	6 in	10.6 in	1.31 in x 4.61 in	0.25 lb
80029	T30	0.235 in	4 in	8.6 in	1.3 in x 4.61 in	0.22 lb
82727	T30	0.235 in	6 in	10.6 in	1.31 in x 4.61 in	0.24 lb
82728	T40	0.275 in	6 in	10.6 in	1.31 in x 4.61 in	0.27 lb

### Pozidriv® Dual Material Screwdrivers

- Ergonomic tri-lobe dual material handle provides the optimal balance of strength and efficiency
- “Speed Zone” handle design for faster rotation in low-torque applications
- Dual material handle offers a more comfortable grip and higher performance
- Non-slip black oxide tip for more secure fit in fastener
- Blades laser etched with part number and size for quick identification
- Oil and solvent resistant handle provides a longer tool life
- Full polish alloy steel screwdriver shaft prevents rust and corrosion
- Available in a variety of blade lengths to meet the demands of any job
- Meets or exceeds ASME standards for performance and quality



Cat. No.	Tip Size	Blade Diameter	Blade Length	Overall Length	Handle Size (Dia. X Length)	Product Weight
80043	#0	0.118 in	2.5 in	5.757 in	0.89 in x 3.24 in	0.08 lb
80044	#1	0.196 in	3 in	7.167 in	1.17 in x 4.15 in	0.15 lb
80045	#2	0.237 in	4 in	8.55 in	1.3 in x 4.62 in	0.22 lb
80046	#3	0.315 in	6 in	11.05 in	1.42 in x 5.11 in	0.36 lb

### Square Dual Material Screwdrivers

- Ergonomic tri-lobe dual material handle provides the optimal balance of strength and efficiency
- “Speed Zone” handle design for faster rotation in low-torque applications
- Dual material handle offers a more comfortable grip and higher performance
- Non-Slip black oxide tip for more secure fit in fastener
- Blades laser etched with part number and size for quick identification
- Oil and solvent resistant handle provides a longer tool life
- Full polish alloy steel screwdriver shaft prevents rust and corrosion
- Meets or exceeds ASME standards for performance and quality



Cat. No.	Tip Size	Blade Diameter	Blade Length	Overall Length	Handle Size (Dia. X Length)	Product Weight
80089	#0	0.196 in	4 in	8.1 in	1.17 in x 4.14 in	0.30 lb
80090	#1	0.235 in	4 in	8.575 in	1.28 in x 4.6 in	0.30 lb
80091	#2	0.235 in	4 in	8.575 in	1.3 in x 4.6 in	0.35 lb
80092	#3	0.315 in	5 in	10.05 in	1.45 in x 5.12 in	0.35 lb

### 12 Pc. Mini Dual Material Screwdriver Set

- Ergonomic tri-lobe dual material handle provides the optimal balance of strength and efficiency
- “Speed Zone” handle design for faster rotation in low-torque applications
- Dual material handle offers a more comfortable grip and higher performance
- Solid chrome vanadium shaft for strength and durability
- Non-Slip black oxide tip for more secure fit in fastener
- Oil and solvent resistant handle provides a longer tool life
- Blades laser etched with part number and size for quick identification
- Color coded caps indicate tip style for faster, more efficient use
- Meets or exceeds ASME standards for performance and quality



Cat. No.	Included Storage	Product Weight
80057	None	1.17 lb



Cat. No.	Description	Cat. No.	Description
80031	Dual Material Phillips® Mini Screwdriver #00 x 60mm	80037	Dual Material Torx® Mini Screwdriver T5 x 60mm
80032	Dual Material Phillips® Mini Screwdriver #0 x 60mm	80038	Dual Material Torx® Mini Screwdriver T6 x 60mm
80033	Dual Material Phillips® Mini Screwdriver #1 x 60mm	80039	Dual Material Torx® Mini Screwdriver T7 x 60mm
80034	Dual Material Slotted Mini Screwdriver 1.5mm x 60mm	80040	Dual Material Torx® Mini Screwdriver T8 x 60mm
80035	Dual Material Slotted Mini Screwdriver 2mm x 60mm	80041	Dual Material Torx® Mini Screwdriver T9 x 60mm
80036	Dual Material Slotted Mini Screwdriver 2.5mm x 60mm	80042D	Dual Material Torx® Mini Screwdriver T10 x 60mm

### 6 Pc. Mini Dual Material Screwdriver Set

- Ergonomic tri-lobe dual material handle provides the optimal balance of strength and efficiency
- “Speed Zone” handle design for faster rotation in low-torque applications
- Dual material handle offers a more comfortable grip and higher performance
- Solid chrome vanadium shaft for strength and durability
- Non-Slip black oxide tip for more secure fit in fastener
- Oil and solvent resistant handle provides a longer tool life
- Blades laser etched with part number and size for quick identification
- Color coded caps indicate tip style for faster, more efficient use
- Meets or exceeds ASME standards for performance and quality



Cat. No.	Included Storage	Product Weight
80055	None	0.84 lb



Cat. No.	Description	Cat. No.	Description
80031	Dual Material Phillips® Mini Screwdriver #00 x 60mm	80034	Dual Material Slotted Mini Screwdriver 1.5mm x 60mm
80032	Dual Material Phillips® Mini Screwdriver #0 x 60mm	80035	Dual Material Slotted Mini Screwdriver 2mm x 60mm
80033	Dual Material Phillips® Mini Screwdriver #1 x 60mm	80036	Dual Material Slotted Mini Screwdriver 2.5mm x 60mm

### 6 Pc. Torx® Mini Dual Material Screwdriver Set

- Ergonomic tri-lobe dual material handle provides the optimal balance of strength and efficiency
- “Speed Zone” handle design for faster rotation in low-torque applications
- Dual material handle offers a more comfortable grip and higher performance
- Solid chrome vanadium shaft for strength and durability
- Non-Slip black oxide tip for more secure fit in fastener
- Oil and solvent resistant handle provides a longer tool life
- Blades laser etched with part number and size for quick identification
- Color coded caps indicate tip style for faster, more efficient use
- Meets or exceeds ASME standards for performance and quality



Cat. No.	Included Storage	Product Weight
80056	None	0.84 lb



Cat. No.	Description	Cat. No.	Description
80037	Dual Material Torx® Mini Screwdriver T5 x 60mm	80040	Dual Material Torx® Mini Screwdriver T8 x 60mm
80038	Dual Material Torx® Mini Screwdriver T6 x 60mm	80041	Dual Material Torx® Mini Screwdriver T9 x 60mm
80039	Dual Material Torx® Mini Screwdriver T7 x 60mm	80042D	Dual Material Torx® Mini Screwdriver T10 x 60mm

### Phillips® Mini Dual Material Screwdrivers

- Ergonomic tri-lobe dual material handle provides the optimal balance of strength and efficiency
- “Speed Zone” handle design for faster rotation in low-torque applications
- Dual material handle offers a more comfortable grip and higher performance
- Solid chrome vanadium shaft for strength and durability
- Non-Slip black oxide tip for more secure fit in fastener
- Oil and solvent resistant handle provides a longer tool life
- Blades laser etched with part number and size for quick identification
- Color coded caps indicate tip style for faster, more efficient use
- Meets or exceeds ASME standards for performance and quality



Cat. No.	Tip Size	Blade Diameter	Blade Length	Overall Length	Handle Size (Dia. X Length)	Product Weight
80031	#00	0.098 in	2.36 in	6.116 in	0.75 in x 3.71 in	0.06 lb
80032	#0	0.118 in	2.36 in	6.109 in	0.75 in x 3.71 in	0.06 lb
80033	#1	0.157 in	2.36 in	6.106 in	0.75 in x 3.71 in	0.06 lb



### Slotted Mini Dual Material Screwdrivers

- Ergonomic tri-lobe dual material handle provides the optimal balance of strength and efficiency
- "Speed Zone" handle design for faster rotation in low-torque applications
- Dual material handle offers a more comfortable grip and higher performance
- Solid chrome vanadium shaft for strength and durability
- Non-Slip black oxide tip for more secure fit in fastener
- Oil and solvent resistant handle provides a longer tool life
- Blades laser etched with part number and size for quick identification
- Color coded caps indicate tip style for faster, more efficient use
- Meets or exceeds ASME standards for performance and quality



Cat. No.	Tip Size	Blade Diameter	Blade Length	Overall Length	Handle Size (Dia. X Length)	Product Weight
80034	1.5mm	0.097 in	2.36 in	6.11 in	0.75 in x 3.71 in	0.06 lb
80035	2mm	0.097 in	2.36 in	6.111 in	0.75 in x 3.71 in	0.06 lb
80036	2.5mm	0.098 in	2.36 in	6.118 in	0.75 in x 3.71 in	0.06 lb

### Torx® Mini Dual Material Screwdrivers

- Ergonomic tri-lobe dual material handle provides the optimal balance of strength and efficiency
- "Speed Zone" handle design for faster rotation in low-torque applications
- Dual material handle offers a more comfortable grip and higher performance
- Solid chrome vanadium shaft for strength and durability
- Non-Slip black oxide tip for more secure fit in fastener
- Oil and solvent resistant handle provides a longer tool life
- Blades laser etched with part number and size for quick identification
- Color coded caps indicate tip style for faster, more efficient use
- Meets or exceeds ASME standards for performance and quality



Cat. No.	Tip Size	Blade Diameter	Blade Length	Overall Length	Handle Size (Dia. X Length)	Product Weight
80037	T5	0.098 in	2.36 in	6.084 in	0.75 in x 3.71 in	0.06 lb
80038	T6	0.098 in	2.36 in	6.083 in	0.75 in x 3.71 in	0.06 lb
80039	T7	0.098 in	2.36 in	6.087 in	0.75 in x 3.71 in	0.06 lb
80040	T8	0.097 in	2.36 in	6.084 in	0.75 in x 3.71 in	0.06 lb
80041	T9	0.117 in	2.36 in	6.084 in	0.75 in x 3.71 in	0.06 lb
80042D	T10	0.117 in	2.36 in	6.083 in	0.75 in x 3.71 in	0.06 lb

### 56 Pc. Ratcheting Screwdriver Set

- GearDriver™ uses a variety of interchangeable shafts and handles for improved access to hard-to-reach fasteners
- 45 tooth ratcheting handle provides 8° swing arc delivering added strength for tough applications
- Ergonomically shaped handles help reduce hand fatigue, and reinforce grip
- Handle functions in ratcheting, reverse ratcheting, and non-ratcheting modes for more versatility
- Oil and solvent resistant dual material handle provides a longer tool life
- Deep recesses in the handles provide superior strength in high-torque applications
- Premium S2 quality steel bits for lasting durability
- Removable end cap on straight handle offers convenient storage for up to 12 bits
- Durable blow mold case for safe storage and tool retention



Cat. No.	Included Storage	Product Weight
82779	Blow Mold Case	3.72 lb



Cat. No.	Description	Cat. No.	Description
890001GD	1/4" Drive Ratcheting Straight Screwdriver Handle	-	6.5mm Slotted Bit
890006GD	1/4" Drive Ratcheting T-Handle Screwdriver Handle	-	5/32" Slotted Bit
310902GR	Magnetic Bit Shaft 1/4" x 6"	-	7/32" Slotted Bit
311902GR	Socket Shaft 1/4" x 6"	-	1/4" Slotted Bit
311904GR	Socket Shaft 1/4" x 10"	-	#0 Phillips® Bit
-	1/4" x 10" Flex Bit Holder Shaft	-	#1 Phillips® Bit
80104D	1/4" Drive 6 Point Standard SAE Socket 5/32"	-	#2 Phillips® Bit
80105	1/4" Drive 6 Point Standard SAE Socket 3/16"	-	#3 Phillips® Bit
80106	1/4" Drive 6 Point Standard SAE Socket 7/32"	-	3mm Hex Bit
80107	1/4" Drive 6 Point Standard SAE Socket 1/4"	-	4mm Hex Bit
80108	1/4" Drive 6 Point Standard SAE Socket 9/32"	-	5mm Hex Bit
80109	1/4" Drive 6 Point Standard SAE Socket 5/16"	-	6mm Hex Bit
80110	1/4" Drive 6 Point Standard SAE Socket 11/32"	-	7mm Hex Bit
80111	1/4" Drive 6 Point Standard SAE Socket 3/8"	-	8mm Hex Bit
80112	1/4" Drive 6 Point Standard SAE Socket 7/16"	-	1/8" Hex Bit
80113D	1/4" Drive 6 Point Standard SAE Socket 1/2"	-	5/32" Hex Bit
80125	1/4" Drive 6 Point Standard Metric Socket 4mm	-	3/16" Hex Bit
80126	1/4" Drive 6 Point Standard Metric Socket 5mm	-	7/32" Hex Bit
80128	1/4" Drive 6 Point Standard Metric Socket 6mm	-	1/4" Hex Bit
80129	1/4" Drive 6 Point Standard Metric Socket 7mm	-	5/16" Hex Bit
80130	1/4" Drive 6 Point Standard Metric Socket 8mm	-	T8 Torx® Bit
80131D	1/4" Drive 6 Point Standard Metric Socket 9mm	-	T10 Torx® Bit
80132	1/4" Drive 6 Point Standard Metric Socket 10mm	-	T15 Torx® Bit
80133	1/4" Drive 6 Point Standard Metric Socket 11mm	-	T20 Torx® Bit
80134	1/4" Drive 6 Point Standard Metric Socket 12mm	-	T25 Torx® Bit
80135D	1/4" Drive 6 Point Standard Metric Socket 13mm	-	T27 Torx® Bit
-	4mm Slotted Bit	-	T30 Torx® Bit
-	5.5mm Slotted Bit	-	T40 Torx® Bit

### 40 Pc. Ratcheting Screwdriver Set

- GearDriver™ uses a variety of interchangeable shafts and handles for improved access to hard-to-reach fasteners
- 45 tooth ratcheting handle provides 8° swing arc delivering added strength for tough applications
- Ergonomically shaped handles help reduce hand fatigue, and reinforce grip
- Handle functions in ratcheting, reverse ratcheting, and non-ratcheting modes for more versatility
- Oil and solvent resistant dual material handle provides a longer tool life
- Deep recesses in the handles provide superior strength in high-torque applications
- Premium S2 quality steel bits for lasting durability
- Durable blow mold case for safe storage and tool retention



Cat. No.	Included Storage	Product Weight
8940	Blow Mold Case	4.14 lb



Cat. No.	Description	Cat. No.	Description
890001GD	1/4" Drive Ratcheting Straight Screwdriver Handle	-	3mm Hex Bit
890006GD	1/4" Drive Ratcheting T-Handle Screwdriver Handle	-	4mm Hex Bit
890005GD	1/4" Drive Ratcheting Stubby Screwdriver Handle	-	5mm Hex Bit
890007GD	1/4" Square Shaft to 1/4" Square Shaft Adapter	-	6mm Hex Bit
890008GD	180° Flexible Bit Shaft 1/4" x 11"	-	7mm Hex Bit
890009GD	180° Flexible Socket Shaft 1/4" x 11"	-	8mm Hex Bit
310901GR	Magnetic Bit Shaft 1/4" x 3-1/2"	-	1/8" Slotted Bit
310902GR	Magnetic Bit Shaft 1/4" x 6"	-	5/32" Slotted Bit
311901GR	Socket Shaft 1/4" x 3-1/2"	-	7/32" Slotted Bit
311902GR	Socket Shaft 1/4" x 6"	-	4mm Slotted Bit
-	#0 Phillips® Bit	-	5.5mm Slotted Bit
-	#1 Phillips® Bit	-	6.5mm Slotted Bit
-	#2 Phillips® Bit	-	T8 Torx® Bit
-	#3 Phillips® Bit	-	T10 Torx® Bit
-	1/8" Hex Bit	-	T15 Torx® Bit
-	5/32" Hex Bit	-	T20 Torx® Bit
-	3/16" Hex Bit	-	T25 Torx® Bit
-	7/32" Hex Bit	-	T27 Torx® Bit
-	1/4" Hex Bit	-	T30 Torx® Bit
-	5/16" Hex Bit	-	T40 Torx® Bit

### 39 Pc. Ratcheting Screwdriver Set

- GearDriver™ uses a variety of interchangeable shafts and handles for improved access to hard-to-reach fasteners
- 45 tooth ratcheting handle provides 8° swing arc delivering added strength for tough applications
- Ergonomically shaped handles help reduce hand fatigue, and reinforce grip
- Handle functions in ratcheting, reverse ratcheting, and non-ratcheting modes for more versatility
- Oil and solvent resistant dual material handle provides a longer tool life
- Deep recesses in the handles provide superior strength in high-torque applications
- Premium S2 quality steel bits for lasting durability
- Removable end cap offers convenient storage for up to 12 bits
- Durable blow mold case for safe storage and tool retention



Cat. No.	Included Storage	Product Weight
8939	Blow Mold Case	3 lb



Cat. No.	Description	Cat. No.	Description
890001GD	1/4" Drive Ratcheting Straight Screwdriver Handle	-	4mm Hex Bit
311904GR	Socket Shaft 1/4" x 10"	-	5mm Hex Bit
310901GR	Magnetic Bit Shaft 1/4" x 3-1/2"	-	6mm Hex Bit
310902GR	Magnetic Bit Shaft 1/4" x 6"	-	7mm Hex Bit
310903GR	Magnetic Bit Shaft 1/4" x 10"	-	8mm Hex Bit
311901GR	Socket Shaft 1/4" x 3-1/2"	-	1/8" Slotted Bit
311902GR	Socket Shaft 1/4" x 6"	-	5/32" Slotted Bit
311903GR	Flexible Socket Shaft 1/4" x 6"	-	7/32" Slotted Bit
-	1/4" Hex Shank Bit Adapter	-	4mm Slotted Bit
-	#0 Phillips® Bit	-	5.5mm Slotted Bit
-	#1 Phillips® Bit	-	6.5mm Slotted Bit
-	#2 Phillips® Bit	-	T8 Torx® Bit
-	#3 Phillips® Bit	-	T10 Torx® Bit
-	1/8" Hex Bit	-	T15 Torx® Bit
-	5/32" Hex Bit	-	T20 Torx® Bit
-	3/16" Hex Bit	-	T25 Torx® Bit
-	7/32" Hex Bit	-	T27 Torx® Bit
-	1/4" Hex Bit	-	T30 Torx® Bit
-	5/16" Hex Bit	-	T40 Torx® Bit
-	3mm Hex Bit	-	

### 26 Pc. Ratcheting Screwdriver Set

- GearDriver™ uses a variety of interchangeable shafts and handles for improved access to hard-to-reach fasteners
- 45 tooth ratcheting handle provides 8° swing arc delivering added strength for tough applications
- Ergonomically shaped handle helps reduce hand fatigue, and reinforces grip
- Handle functions in ratcheting, reverse ratcheting, and non-ratcheting modes for more versatility
- Oil and solvent resistant dual material handle provides a longer tool life
- Deep recesses in the handles provide superior strength in high-torque applications
- Premium S2 quality steel bits for lasting durability
- Removable end cap offers convenient storage for up to 12 bits
- Durable case for efficient tool storage and retention



Cat. No.	Included Storage	Product Weight
8926D	Blow Mold Case	2.39 lb

Cat. No.	Description	Qty.	Cat. No.	Description	Qty.
890001GD	1/4" Drive Ratcheting Straight Screwdriver Handle	1	-	3/16" Hex Bit	1
890002GD	1/4" Square Drive to 1/4" Hex Shaft Adapter	1	-	1/4" Hex Bit	1
311901GR	Socket Shaft 1/4" x 3-1/2"	1	-	5/16" Hex Bit	1
311902GR	Socket Shaft 1/4" x 6"	1	-	5/32" Slotted Bit	1
311903GR	Flexible Socket Shaft 1/4" x 6"	1	-	3/16" Slotted Bit	1
311904GR	Socket Shaft 1/4" x 10"	1	-	1/8" Slotted Bit	2
-	#1 Phillips® Bit	1	-	T10 Torx® Bit	1
-	#2 Phillips® Bit	2	-	T15 Torx® Bit	1
-	#3 Phillips® Bit	1	-	T20 Torx® Bit	1
-	3/32" Hex Bit	1	-	T25 Torx® Bit	1
-	1/8" Hex Bit	1	-	T30 Torx® Bit	1
-	5/32" Hex Bit	1	-	T40 Torx® Bit	1

### 15 Pc. Stubby Ratcheting Screwdriver Set

- GearDriver™ uses a variety of interchangeable shafts and handles for improved access to hard-to-reach fasteners
- 45 tooth ratcheting handle provides 8° swing arc delivering added strength for tough applications
- Ergonomically shaped handle helps reduce hand fatigue, and reinforces grip
- Handle functions in ratcheting, reverse ratcheting, and non-ratcheting modes for more versatility
- Oil and solvent resistant dual material handle provides a longer tool life
- Deep recesses in the handles provide superior strength in high-torque applications
- Premium S2 quality steel bits for lasting durability
- Durable blow mold case for safe storage and tool retention



Cat. No.	Included Storage	Product Weight
8915D	Blow Mold Case	0.00 lb

Cat. No.	Description	Cat. No.	Description
310901GR	Magnetic Bit Shaft 1/4" x 3-1/2"	-	4mm Slotted Bit
310902GR	Magnetic Bit Shaft 1/4" x 6"	-	5.5mm Slotted Bit
310903GR	Magnetic Bit Shaft 1/4" x 10"	-	6.5mm Slotted Bit
890005GD	1/4" Drive Ratcheting Stubby Screwdriver Handle	-	T10 Torx® Bit
890008GD	180° Flexible Bit Shaft 1/4" x 11"	-	T15 Torx® Bit
-	#1 Phillips® Bit	-	T20 Torx® Bit
-	#2 Phillips® Bit	-	T25 Torx® Bit
-	#3 Phillips® Bit	-	

### 7 Pc. Ratcheting GearDriver® Set

- GearDriver™ uses a variety of interchangeable shafts and handles for improved access to hard-to-reach fasteners
- 45 tooth ratcheting handle provides 8° swing arc delivering added strength for tough applications
- Ergonomically shaped handle helps reduce hand fatigue, and reinforces grip
- Handle functions in ratcheting, reverse ratcheting, and non-ratcheting modes for more versatility
- Oil and solvent resistant dual material handle provides a longer tool life
- Deep recesses in the handle provides superior strength in high-torque applications
- Premium S2 quality steel bits for lasting durability
- Removable end cap offers convenient storage for up to 12 bits



Cat. No.	Included Storage	Product Weight
82781	None	0.83 lb

Cat. No.	Description	Cat. No.	Description
-	#0 Phillips® Bit	-	1/8" Slotted Bit
-	#1 Phillips® Bit	-	5/32" Slotted Bit
-	#2 Phillips® Bit	-	3/16" Slotted Bit

### Ratcheting Screwdriver Handles

- GearDriver™ uses a variety of interchangeable shafts and handles for improved access to hard-to-reach fasteners
- 45 tooth ratcheting handle provides 8° swing arc delivering added strength for tough applications
- Handle functions in ratcheting, reverse ratcheting, and non-ratcheting modes for more versatility
- Ergonomically shaped handles help reduce hand fatigue and reinforce grip
- Oil and solvent resistant dual material handle provides a longer tool life
- Deep recesses in the handles provide superior strength in high-torque applications



Cat. No.	Handle Style	Overall Length	Product Weight
890001GD	Straight	5.88 in	0.36 lb
890005GD	Stubby	3.27 in	0.26 lb
890006GD	T-Handle	4 in	0.31 lb

### Ratcheting Screwdriver Bit Shafts

- GearDriver™ uses a variety of interchangeable shafts and handles for improved access to hard-to-reach fasteners
- Etched part numbers on the shafts for quick and easy size identification
- Interchangeable shafts allow you to access a variety of fasteners for greater versatility
- Full polish alloy steel screwdriver shaft prevents rust and corrosion
- Bit holding shafts work with standard 1/4" bits



Cat. No.	Description	Overall Length	Magnetic	Product Weight
310901GR	Magnetic Bit Shaft 1/4" x 3-1/2"	3.5 in	Yes	0.09 lb
310902GR	Magnetic Bit Shaft 1/4" x 6"	6 in	Yes	0.14 lb
310903GR	Magnetic Bit Shaft 1/4" x 10"	10 in	Yes	0.18 lb
890008GD	180° Flexible Bit Shaft 1/4" x 11"	11 in	No	0.30 lb

### Ratcheting Screwdriver Socket Shafts

- GearDriver™ uses a variety of interchangeable shafts and handles for improved access to hard-to-reach fasteners
- Etched part numbers on the shafts for quick and easy size identification
- Interchangeable shafts allow you to access a variety of fasteners for greater versatility
- Full polish alloy steel screwdriver shaft prevents rust and corrosion
- Socket shafts work with standard 1/4" drive tools



Cat. No.	Description	Overall Length	Magnetic	Product Weight
311901GR	Socket Shaft 1/4" x 3-1/2"	3.5 in	No	0.08 lb
311902GR	Socket Shaft 1/4" x 6"	6 in	No	0.14 lb
311904GR	Socket Shaft 1/4" x 10"	10 in	No	1.60 lb
311903GR	Flexible Socket Shaft 1/4" x 6"	6 in	No	0.14 lb
890009GD	180° Flexible Socket Shaft 1/4" x 11"	11 in	No	0.27 lb

### Adapters

- GearDriver™ uses a variety of interchangeable shafts and handles for improved access to hard-to-reach fasteners
- Stamped part number for quick identification
- Full polish alloy steel screwdriver shaft prevents rust and corrosion



Cat. No.	Description	Product Weight
890002GD	1/4" Square Drive to 1/4" Hex Shaft Adapter	0.03 lb
890007GD	1/4" Square Shaft to 1/4" Square Shaft Adapter	0.05 lb



## 2-Position Ratcheting Screwdriver with LED Lights

- 45 tooth ratcheting handle provides 8° swing arc delivering added strength for tough applications
- 2 handle positions, straight or pistol grip, allow you to choose the most comfortable configuration to reach the fastener
- 2 LED lights illuminate your work area, making it easier to see in low light spaces
- 4-1/2 inch shaft provides greater access to hard-to-reach places
- Stainless steel collar magnetizes bit tip, resulting in fewer dropped or lost screws
- Handle contains removable internal bit holder for storage of 6 bits
- Requires (3) 1.5V batteries (Included)



Cat. No.	Included Storage	Product Weight
82788	None	0.77 lb

Cat. No.	Description	Cat. No.	Description
-	2 Position Ratcheting Screwdriver Handle	-	T20 Torx® Bit
-	#1 Phillips® Bit	-	T25 Torx® Bit
-	#2 Phillips® Bit	-	T27 Torx® Bit
-	T15 Torx® Bit		

## Magnetic Bit Holding Screwdriver

- Ergonomic tri-lobe dual material handle provides the optimal balance of strength and efficiency
- "Speed Zone" handle design for faster rotation in low-torque applications like running down screws
- Dual material handle offers a more comfortable grip and higher performance
- Oil and solvent resistant handle provides a longer tool life
- Full polish alloy steel screwdriver shaft prevents rust and corrosion
- Magnetic bit holder reduces dropped and lost fasteners
- For use with standard 1/4" drive bits



Cat. No.	Blade Diameter	Blade Length	Overall Length	Handle Size (Dia. X Length)	Product Weight
82783	.25 in	4 in	8.5 in	.25 in x 4.625 in	0.27 lb

## Screw Starters

- Screw starter holds screws securely providing the user better access to hard-to-reach areas
- Easy start feature allows you to simply twist the bit to hold the screw
- Strong magnet on opposite end picks up dropped parts
- Integrated pocket clip for added convenience



Cat. No.	Tip Style	Overall Length	Product Weight
2282D	Slotted	5.63 in	0.07 lb
2283	Phillips®	5.63 in	0.05 lb

## 16 Pc. Ratcheting SAE & Metric Nutdriver Set

- GearDriver™ uses a variety of interchangeable shafts and handles for improved access to hard-to-reach fasteners
- 45 tooth ratcheting handle provides 8° swing arc delivering added strength for tough applications
- Color coded stripe to easily identify SAE from metric sizes
- Stamped part number for quick identification
- Dual material handle offers a more comfortable grip and higher performance
- Oil and solvent resistant handle provides a longer tool life
- Durable blow mold case for safe storage and tool retention



Cat. No.	Included Storage	Product Weight
8916D	Blow Mold Case	2.6 lb

Cat. No.	Description	Cat. No.	Description
890005GD	1/4" Drive Ratcheting Stubby Screwdriver Handle	891070GD	7mm Ratcheting Nutdriver Shaft
890060GD	3/16" Ratcheting Nutdriver Shaft	891080GD	8mm Ratcheting Nutdriver Shaft
890080GD	1/4" Ratcheting Nutdriver Shaft	891090GD	9mm Ratcheting Nutdriver Shaft
890100GD	5/16" Ratcheting Nutdriver Shaft	891100GD	10mm Ratcheting Nutdriver Shaft
890110GD	11/32" Ratcheting Nutdriver Shaft	891110GD	11mm Ratcheting Nutdriver Shaft
890120GD	3/8" Ratcheting Nutdriver Shaft	891120GD	12mm Ratcheting Nutdriver Shaft
890140GD	7/16" Ratcheting Nutdriver Shaft	-	1/2" Nutdriver Shaft
891060GD	6mm Ratcheting Nutdriver Shaft	-	5mm Nutdriver Shaft

### Ratcheting Nutdriver Shafts

- GearDriver™ uses a variety of interchangeable shafts and handles for improved access to hard-to-reach fasteners
- Color coded stripe to easily identify SAE from metric sizes
- Full polish alloy steel screwdriver shaft prevents rust and corrosion
- Stamped size for quick identification



SAE mm

Cat. No.	Color	Size	Bolt Clearance	Overall Length	Product Weight
890060GD	Black	3/16 in	.140 in	3.34 in	0.10 lb
890080GD	Orange	1/4 in	.196 in	3.34 in	0.10 lb
890100GD	Yellow	5/16 in	.203 in	3.34 in	0.10 lb
890110GD	Green	11/32 in	.203 in	3.34 in	0.10 lb
890120GD	Blue	3/8 in	.272 in	3.34 in	0.10 lb
890140GD	Brown	7/16 in	.272 in	3.34 in	0.10 lb
891060GD	Black	6 mm	.196 in	3.34 in	0.10 lb
891070GD	Black	7 mm	.196 in	3.34 in	0.10 lb
891080GD	Black	8 mm	.196 in	3.34 in	0.10 lb
891090GD	Black	9 mm	.196 in	3.34 in	0.10 lb
891100GD	Black	10 mm	.275 in	3.34 in	0.10 lb
891110GD	Black	11 mm	.275 in	3.34 in	0.10 lb
891120GD	Black	12 mm	.275 in	3.34 in	0.10 lb

### 7 Pc. SAE Hollow Shaft Cushion Grip Nutdriver Set

- Ergonomic cushion grip handle helps reduce hand fatigue and provides additional comfort for ease of use
- Hollow shaft design allows maximum bolt clearance, so you can access longer bolts or threaded rods
- Manufactured from premium alloy steel for superior durability
- Bright, full polish chrome finish easily wipes clean and resists rust and corrosion
- Meets or exceeds ASME standards for performance and quality



SAE

Cat. No.	Included Storage	Product Weight
82765	None	2.35 lb

Cat. No.	Description	Cat. No.	Description
82750	Cushion Grip Hollow Shaft Nutdriver 3/16" x 3"	82754	Cushion Grip Hollow Shaft Nutdriver 3/8" x 3"
82751	Cushion Grip Hollow Shaft Nutdriver 1/4" x 3"	82755	Cushion Grip Hollow Shaft Nutdriver 7/16" x 3"
82752	Cushion Grip Hollow Shaft Nutdriver 5/16" x 3"	82756	Cushion Grip Hollow Shaft Nutdriver 1/2" x 3"
82753	Cushion Grip Hollow Shaft Nutdriver 11/32" x 3"		

### 7 Pc. Metric Hollow Shaft Cushion Grip Nutdriver Set

- Ergonomic cushion grip handle helps reduce hand fatigue and provides additional comfort for ease of use
- Hollow shaft design allows maximum bolt clearance, so you can access longer bolts or threaded rods
- Manufactured from premium alloy steel for superior durability
- Bright, full polish chrome finish easily wipes clean and resists rust and corrosion
- Meets or exceeds ASME standards for performance and quality



mm

Cat. No.	Included Storage	Product Weight
82764	None	2.53 lb

Cat. No.	Description	Cat. No.	Description
82757D	Cushion Grip Hollow Shaft Nutdriver 6mm x 3"	82761	Cushion Grip Hollow Shaft Nutdriver 10mm x 3"
82758	Cushion Grip Hollow Shaft Nutdriver 7mm x 3"	82762	Cushion Grip Hollow Shaft Nutdriver 11mm x 3"
82759	Cushion Grip Hollow Shaft Nutdriver 8mm x 3"	82763	Cushion Grip Hollow Shaft Nutdriver 12mm x 3"
82760	Cushion Grip Hollow Shaft Nutdriver 9mm x 3"		

### SAE Hollow Shaft Cushion Grip Nutdrivers

- Ergonomic cushion grip handle helps reduce hand fatigue and provides additional comfort for ease of use
- Hollow shaft design allows maximum bolt clearance, so you can access longer bolts or threaded rods
- Manufactured from premium alloy steel for superior durability
- Bright, full polish chrome finish easily wipes clean and resists rust and corrosion
- Meets or exceeds ASME standards for performance and quality



SAE

Cat. No.	Size	Shaft Length	Bolt Clearance	Overall Length	Handle Size (Dia. X Length)	Product Weight
82750	3/16 in	3 in	.14 in	7.33 in	1.42 in x 4.33 in	0.12 lb
82751	1/4 in	3 in	.196 in	7.33 in	1.42 in x 4.33 in	0.12 lb
82752	5/16 in	3 in	.203 in	7.33 in	1.42 in x 4.33 in	0.13 lb
82753	11/32 in	3 in	.203 in	7.33 in	1.42 in x 4.33 in	0.13 lb
82754	3/8 in	3 in	.272 in	7.33 in	1.42 in x 4.33 in	0.14 lb
82755	7/16 in	3 in	.272 in	7.33 in	1.42 in x 4.33 in	0.14 lb
82756	1/2 in	3 in	.333 in	8 in	1.5 in x 5 in	0.18 lb

**Metric Hollow Shaft Cushion Grip Nutdrivers**

- Ergonomic cushion grip handle helps reduce hand fatigue and provides additional comfort for ease of use
- Hollow shaft design allows maximum bolt clearance, so you can access longer bolts or threaded rods
- Manufactured from premium alloy steel for superior durability
- Bright, full polish chrome finish easily wipes clean and resists rust and corrosion
- Meets or exceeds ASME standards for performance and quality



mm

Cat. No.	Size	Shaft Length	Bolt Clearance	Overall Length	Handle Size (Dia. X Length)	Product Weight
82757D	6 mm	3 in	0.196 in	7.33 in	1.42 in x 4.33 in	0.12 lb
82758	7 mm	3 in	0.196 in	7.33 in	1.42 in x 4.33 in	0.12 lb
82759	8 mm	3 in	0.196 in	7.33 in	1.42 in x 4.33 in	0.13 lb
82760	9 mm	3 in	0.196 in	7.33 in	1.42 in x 4.33 in	0.13 lb
82761	10 mm	3 in	0.275 in	7.33 in	1.42 in x 4.33 in	0.14 lb
82762	11 mm	3 in	0.275 in	7.33 in	1.42 in x 4.33 in	0.14 lb
82763	12 mm	3 in	0.275 in	8 in	1.5 in x 5 in	0.18 lb

RATCHETS, SOCKETS, AND DRIVE TOOLS

WRENCHES

IMPACT

TORQUE WRENCHES

SCREWDRIVERS & NUTDRIVERS

**PLIERS**

CUTTING AND FILING

STRIKING AND STRUCK

PRY BARS

LIGHTING

AUTOMOTIVE SPECIALTY

TOOL STORAGE

MASTER SETS





### 7 Pc. Mixed Dual Material Plier Set

- Manufactured from alloy steel for improved strength and durability
- Machined jaws for exact tolerances and a precise fit
- Slim handle and head design for unparalleled access
- Rounded inside edges on handles for ergonomic comfort
- "Finger Tipping" end texture grips for access
- Dual material handles offer a more comfortable grip and higher performance



Cat. No.	Included Storage	Product Weight
82108	None	6.63 lb

Cat. No.	Description	Cat. No.	Description
82011	9-1/2" Dual Material Tongue and Groove Pliers	82020D	12" Dual Material Straight Jaw Groove Joint Pliers
82012	7" Dual Material Diagonal Cutting Pliers	82025	8" Dual Material Lineman's Pliers
82013	8" Dual Material Long Nose Pliers	82028	8" Dual Material End Cutting Nipper Pliers
82014	8" Dual Material Slip Joint Pliers		

### 4 Pc. Mixed Dual Material Plier Set

- Manufactured from alloy steel for improved strength and durability
- Machined jaws for exact tolerances and a precise fit
- Slim handle and head design for unparalleled access
- Rounded inside edges on handles for ergonomic comfort
- "Finger Tipping" end texture grips for access
- Dual material handles offer a more comfortable grip and higher performance



Cat. No.	Included Storage	Product Weight
82103	None	3.09 lb

Cat. No.	Description	Cat. No.	Description
82011	9-1/2" Dual Material Tongue and Groove Pliers	82013	8" Dual Material Long Nose Pliers
82012	7" Dual Material Diagonal Cutting Pliers	82014	8" Dual Material Slip Joint Pliers

### Dual Material Slip Joint Pliers

- Slim handle and head design for unparalleled access
- Crossover wire cutting jaws ideal for tight areas
- Curved back handles for improved leverage and a more secure grip
- Manufactured from alloy steel for improved strength and durability
- Dual material handles offer a more comfortable grip and higher performance



Cat. No.	Jaw Positions	Overall Length	Wire Crimper	Jaw Length	Jaw Width	Jaw Thickness	Edge Type/Cut Capacity	Jaw Capacity	Jaw Type	Product Weight
82014	2	8.15 in	No	1.72 in	1.24 in	0.14 in	Shear	3.13 in	Curved	0.60 lb

### Dual Material Curved Jaw Tongue and Groove Pliers

- Curved jaws for gripping rounded objects like pipes or cables
- Manufactured from alloy steel for improved strength and durability
- Precision machined for exact tolerances and fit
- Slim handle and head design for greater access
- Curved back handles for improved leverage and a more secure grip
- Rounded inside edges on handles for ergonomic comfort
- Dual material handles offer a more comfortable grip and higher performance



Cat. No.	Jaw Positions	Overall Length	Wire Crimper	Jaw Length	Jaw Width	Jaw Thickness	Jaw Capacity	Jaw Type	Wire Cutter	Product Weight
82011	5	9.45 in	No	1.61 in	0.73 in	0.41 in	3.75 in	Curved	No	0.84 lb

### Dual Material Straight Jaw Groove Joint Pliers

- Straight jaws for securely gripping parallel surfaces
- Manufactured from alloy steel for improved strength and durability
- Machined jaws for exact tolerances and a precise fit
- Slim handle and head design for unparalleled access
- Curved back handles for improved leverage and a more secure grip
- Rounded inside edges on handles for ergonomic comfort
- Dual material handles offer a more comfortable grip and higher performance



Cat. No.	Jaw Positions	Overall Length	Wire Crimper	Jaw Length	Jaw Width	Jaw Thickness	Jaw Capacity	Jaw Type	Wire Cutter	Product Weight
82020D	5	11.85 in	No	2.09 in	0.65 in	0.47 in	1.09 in	Straight	No	1.45 lb



### Dual Material Diagonal Cutting Pliers

- Curved back handles for improved leverage and a more secure grip
- Slim handle and head design for greater access
- Solid flush rivet for better access and tighter tolerance
- Manufactured from alloy steel for improved strength and durability
- Dual material handles offer a more comfortable grip and higher performance



Cat. No.	Overall Length	Wire Crimper	Jaw Length	Wire Size	Jaw Width	Jaw Thickness	Edge Type/Cut Capacity	Wire Cutter	Product Weight
82012	7.01 in	No	1.12 in	12 AWG	1.2 in	0.46 in	Standard	Yes	0.63 lb

### Dual Material Long Nose Pliers

- Curved back handles for improved leverage and a more secure grip
- Slim handle and head design for greater access
- Solid flush rivet for better access and tighter tolerance
- Manufactured from alloy steel for improved strength and durability
- Dual material handles offer a more comfortable grip and higher performance



Cat. No.	Overall Length	Wire Crimper	Jaw Length	Wire Size	Jaw Width	Jaw Thickness	Jaw Capacity	Jaw Type	Product Weight
82013	8.23 in	No	2.75 in	14 AWG	0.84 in	0.42 in	14 AWG	Standard	0.64 lb

### Dual Material Lineman's Pliers

- Curved back handles for improved leverage and a more secure grip
- Slim handle and head design for greater access
- Solid flush rivet for better access and tighter tolerance
- Serrated jaws with built-in wire cutter
- Manufactured from alloy steel for improved strength and durability
- Dual material handles offer a more comfortable grip and higher performance



Cat. No.	Overall Length	Jaw Length	Jaw Width	Jaw Thickness	Edge Type/Cut Capacity	Jaw Type	Product Weight
82025	8.03 in	2.14 in	1.13 in	0.48 in	Standard	Lineman's	0.78 lb

### Dual Material End Cutting Nipper Pliers

- Curved back handles for improved leverage and a more secure grip
- Slim handle and head design for greater access
- Manufactured from alloy steel for improved strength and durability
- Dual material handles offer a more comfortable grip and higher performance



Cat. No.	Overall Length	Wire Crimper	Jaw Length	Jaw Width	Jaw Thickness	Edge Type/Cut Capacity	Jaw Type	Wire Cutter	Product Weight
82028	7.8 in	No	0.59 in	1.17 in	1.02 in	Standard	Nipper	No	0.80 lb

### 5 Pc. Mixed Dual Material Mini Plier Set

- Slim handle and head design for greater access
- Solid flush rivet for better access and tighter tolerance
- Spring keeps handles open to reduce hand fatigue
- Manufactured from alloy steel for improved strength and durability
- Dual material handles offer a more comfortable grip and higher performance



Cat. No.	Included Storage	Product Weight
82100	None	0.99 lb

Cat. No.	Description	Cat. No.	Description
82000D	4-1/2" Mini Dual Material Diagonal Cutting Pliers	82003	4-1/4" Mini Dual Material End Cutting Nipper Pliers
82001	5" Mini Dual Material Long Nose Pliers	82004	5-1/4" Mini Dual Material Flat Nose Pliers
82002D	5-1/2" Mini Dual Material Needle Nose Pliers		

### Dual Material Mini Diagonal Cutting Pliers

- Slim handle and head design for greater access
- Solid flush rivet for better access and tighter tolerance
- Spring reduces fatigue by automatically returning the jaws to the open position
- Manufactured from alloy steel for improved strength and durability
- Dual material handles offer a more comfortable grip and higher performance



Cat. No.	Overall Length	Wire Crimper	Jaw Length	Jaw Width	Jaw Thickness	Edge Type/Cut Capacity	Jaw Type	Wire Cutter	Product Weight
82000D	4.45 in	No	0.51 in	0.33 in	0.51 in	Mini	Diagonal Cutting	No	0.09 lb

### Dual Material Mini Long Nose Pliers

- Slim handle and head design for greater access
- Solid flush rivet for better access and tighter tolerance
- Spring reduces fatigue by automatically returning the jaws to the open position
- Manufactured from alloy steel for improved strength and durability
- Dual material handles offer a more comfortable grip and higher performance



Cat. No.	Overall Length	Wire Crimper	Jaw Length	Jaw Width	Jaw Thickness	Jaw Capacity	Product Weight
82001	5.2 in	No	1.47 in	0.5 in	0.33 in	.75 in	0.09 lb

### Dual Material Mini Needle Nose Pliers

- Slim handle and head design for greater access
- Solid flush rivet for better access and tighter tolerance
- Spring reduces fatigue by automatically returning the jaws to the open position
- Manufactured from alloy steel for improved strength and durability
- Dual material handles offer a more comfortable grip and higher performance



Cat. No.	Overall Length	Wire Crimper	Jaw Length	Jaw Width	Jaw Thickness	Jaw Type	Product Weight
82002D	5.59 in	No	1.84 in	0.5 in	0.33 in	Straight	0.09 lb

### Dual Material Mini End Cutting Nipper Pliers

- Slim handle and head design for greater access
- Solid flush rivet for better access and tighter tolerance
- Spring reduces fatigue by automatically returning the jaws to the open position
- Manufactured from alloy steel for improved strength and durability
- Dual material handles offer a more comfortable grip and higher performance



Cat. No.	Overall Length	Wire Crimper	Jaw Length	Jaw Width	Jaw Thickness	Jaw Type	Wire Cutter	Product Weight
82003	4.25 in	No	0.51 in	0.5 in	0.51 in	Nipper	No	0.09 lb

### Dual Material Mini Flat Nose Pliers

- Slim handle and head design for greater access
- Solid flush rivet for better access and tighter tolerance
- Spring reduces fatigue by automatically returning the jaws to the open position
- Manufactured from alloy steel for improved strength and durability
- Dual material handles offer a more comfortable grip and higher performance



Cat. No.	Overall Length	Wire Crimper	Jaw Length	Jaw Width	Jaw Thickness	Jaw Type	Wire Cutter	Product Weight
82004	5.2 in	No	1.47 in	0.5 in	0.33 in	Flat Nose	No	0.09 lb

### 7 Pc. Mixed Dipped Handle Plier Set

- Manufactured from alloy steel for improved strength and durability
- Anti-rust clear coat extends the life of your tool
- Professional, ergonomic dipped grips wipe clean easily
- Cutting pliers have laser hardened cutting edges for a longer tool life
- Tongue and groove pliers have induction hardened angled teeth for increased grip
- Meets or exceeds applicable ASME requirements
- Set includes: 10" & 12" straight jaw tongue and groove, 8" slip joint, 8" lineman, 7-1/2" long nose, 7" end cutting nippers and 7" diagonal cutting pliers



Cat. No.	Included Storage	Product Weight
82116	None	4.976 lb

Cat. No.	Description	Cat. No.	Description
82063	10" Straight Jaw Tongue and Groove Pliers	82073	7-1/2" Long Nose Side Cutting Pliers
82065	12" Straight Jaw Tongue and Groove Pliers	82075	8" Lineman's Side Cutting Pliers
82069	8" Slip Joint Pliers	82076	7" End Cutting Nipper Pliers
82071	7" Heavy-Duty Diagonal Cutting Pliers		

### 4 Pc. Mixed Dipped Handle Plier Set

- Manufactured from alloy steel for improved strength and durability
- Anti-rust clear coat extends the life of your tool
- Professional, ergonomic dipped grips wipe clean easily
- Cutting pliers have laser hardened cutting edges for a longer tool life
- Tongue and groove pliers have induction hardened angled teeth for increased grip
- Meets or exceeds applicable ASME requirements
- Set includes: 10" straight jaw tongue and groove, 8" slip joint, 8" lineman, 7" diagonal cutting pliers & 7-1/2" long nose pliers



Cat. No.	Included Storage	Product Weight
82114	None	3.265 lb

Cat. No.	Description	Cat. No.	Description
82063	10" Straight Jaw Tongue and Groove Pliers	82071	7" Heavy-Duty Diagonal Cutting Pliers
82069	8" Slip Joint Pliers	82073	7-1/2" Long Nose Side Cutting Pliers

### Dipped Handle Straight Jaw Tongue and Groove Pliers

- Interlocking tongue and groove design won't slip
- Secure rivet joint assembly won't separate
- Induction hardened angled teeth give you an improved grip
- Improved jaw positions minimize handle span
- Straight jaws designed for gripping parallel surfaces
- Manufactured from alloy steel for improved strength and durability
- Anti-rust clear coat extends the life of your tool
- Professional, ergonomic dipped grips wipe clean easily
- Meets or exceeds applicable ASME requirements



Cat. No.	Overall Length	Jaw Capacity	Jaw Type	Wire Cutter	Product Weight
82063	10 in	1.812 in	Straight	No	0.98 lb
82065	12 in	3 in	Straight	No	1.50 lb
82066	16 in	4.5 in	Straight	No	2.85 lb

### Dipped Handle V-Jaw Tongue and Groove Pliers

- Interlocking positive tongue and groove design won't slip
- Secure rivet joint assembly won't separate
- Induction hardened angled teeth give you an improved grip
- Improved jaw positions minimize handle span
- V-jaws for gripping rounded objects like pipes and cables
- Manufactured from alloy steel for improved strength and durability
- Anti-rust clear coat extends the life of your tool
- Professional, ergonomic dipped grips wipe clean easily
- Meets or exceeds applicable ASME requirements



Cat. No.	Overall Length	Jaw Capacity	Jaw Type	Wire Cutter	Product Weight
82064	10 in	1.812 in	V-Jaw	No	0.98 lb

### Dipped Handle Slip Joint Pliers

- Precision machined teeth for gripping flat or round objects
- 2 locking positions for increased flexibility in your work
- Secure rivet joint assembly won't separate
- Shear style wire cutter
- Manufactured from alloy steel for improved strength and durability
- Anti-rust clear coat extends the life of your tool
- Professional, ergonomic dipped grips wipe clean easily
- Meets or exceeds applicable ASME requirements



Cat. No.	Overall Length	Wire Crimper	Jaw Length	Jaw Width	Jaw Capacity	Jaw Type	Wire Cutter	Product Weight
82068	6.5 in	No	.375 in	.375 in, .625 in	1 in	Curved	Yes	0.50 lb
82069	8 in	No	.375 in	.375 in, .625 in	1 in	Curved	Yes	0.69 lb

### Dipped Handle General Purpose Diagonal Cutting Pliers

- Laser hardened cutting edge for a longer tool life
- Ideal for general wire cutting and flush cutting
- Manufactured from alloy steel for improved strength and durability
- Anti-rust clear coat extends the life of your tool
- Professional, ergonomic dipped grips wipe clean easily
- Meets or exceeds applicable ASME requirements



Cat. No.	Overall Length	Wire Crimper	Jaw Length	Jaw Width	Jaw Thickness	Edge Type/Cut Capacity	Jaw Capacity	Jaw Type	Product Weight
82070	6 in	No	.812 in	.75 in	.437 in	Std./12 AWG	12 AWG	Diagonal Cutting	0.40 lb



### Dipped Handle Heavy-Duty Diagonal Cutting Pliers

- Laser hardened cutting edge for a longer tool life
- Ideal for general wire and flush cutting
- Manufactured from alloy steel for improved strength and durability
- Anti-rust clear coat extends the life of your tool
- Professional, ergonomic dipped grips wipe clean easily
- Meets or exceeds applicable ASME requirements



Cat. No.	Overall Length	Strips Wire Sizes, No.	Wire Crimper	Jaw Length	Wire Size	Jaw Width	Jaw Thickness	Edge Type/Cut Capacity	Product Weight
82071	7 in	Std./12 AWG	No	.781 in	Std./12 AWG	1.218 in	.468 in	Std./12 AWG	0.65 lb

### Dipped Handle Long Nose Side Cutting Pliers

- Laser hardened cutting edge for a longer tool life
- Designed for improved access to confined spaces
- Finely serrated jaws grip your work tightly
- Manufactured from alloy steel for improved strength and durability
- Anti-rust clear coat extends the life of your tool
- Professional, ergonomic dipped grips wipe clean easily
- Meets or exceeds applicable ASME requirements



Cat. No.	Overall Length	Strips Wire Sizes, No.	Wire Crimper	Jaw Length	Wire Size	Jaw Width	Jaw Thickness	Edge Type/Cut Capacity	Wire Cutter	Product Weight
82072	6.5 in	Std./14 AWG	No	1.875 in	Std./14 AWG	.687 in	.375 in	Std./14 AWG	Yes	0.34 lb
82073	7.5 in	Std./14 AWG	No	2.656 in	Std./14 AWG	.75 in	.375 in	Std./14 AWG	Yes	0.45 lb

### Dipped Handle Curved Needle Nose Pliers

- Designed for improved access in confined spaces
- Finely serrated jaws grip your work tightly
- Manufactured from alloy steel for improved strength and durability
- Anti-rust clear coat extends the life of your tool
- Professional, ergonomic dipped grips wipe clean easily
- Meets or exceeds applicable ASME requirements



Cat. No.	Overall Length	Wire Crimper	Jaw Length	Jaw Width	Jaw Thickness	Jaw Type	Wire Cutter	Product Weight
82074	6 in	No	1 in	.687 in	.375 in	Curved	No	0.46 lb

### Dipped Handle Lineman's Side Cutting Pliers

- Laser hardened cutting edges for a longer tool life
- Precision machined serrated jaws grip your work tightly
- Manufactured from alloy steel for improved strength and durability
- Anti-rust clear coat extends the life of your tool
- Professional, ergonomic dipped grips wipe clean easily
- Meets or exceeds applicable ASME requirements



Cat. No.	Overall Length	Strips Wire Sizes, No.	Jaw Length	Wire Size	Jaw Width	Jaw Thickness	Edge Type/Cut Capacity	Product Weight
82075	8.3 in	Std./11 AWG	1.468 in	Std./11 AWG	1.125 in	.562 in	Std./11 AWG	0.94 lb

### Dipped Handle End Cutting Nipper Pliers

- Laser hardened cutting edge for a longer tool life
- Throat shaped designed to give maximum clearance
- Manufactured from alloy steel for improved strength and durability
- Anti-rust clear coat extends the life of your tool
- Professional, ergonomic dipped grips wipe clean easily
- Meets or exceeds applicable ASME requirements



Cat. No.	Overall Length	Strips Wire Sizes, No.	Wire Crimper	Jaw Length	Wire Size	Jaw Width	Jaw Thickness	Edge Type/Cut Capacity	Wire Cutter	Product Weight
82076	7.25 in	Std./12 AWG	No	.375 in	Std./12 AWG	1.75 in	.531 in	.812 in	Yes	0.80 lb

### 2 Pc. PivotForce™ Dipped Handle Compound Action Plier Set

- Unique compound action requires 40% less effort to cut
- Induction hardened cutting edge for a long tool life
- Manufactured from alloy steel for improved strength and durability
- Anti-rust clear coat extends the life of your tool
- Professional, ergonomic dipped grips wipe clean easily
- Meets or exceeds applicable ASME performance requirements



Cat. No.	Included Storage	Product Weight
82124	None	1.795 lb

Cat. No.	Description
82120	8" PivotForce Diagonal Cutting Compound Action Plier
82121	8" PivotForce Long Nose Cutting Compound Action Plier



### PivotForce™ Dipped Handle Diagonal Cutting Compound Action Plier

- Unique compound action requires 40% less effort to cut
- Induction hardened cutting edge for a long tool life
- Manufactured from alloy steel for improved strength and durability
- Anti-rust clear coat extends the life of your tool
- Professional, ergonomic dipped grips wipe clean easily
- Designed with standard bevel edges for general wire cutting
- Meets or exceeds applicable ASME performance requirements



Cat. No.	Overall Length	Wire Crimper	Jaw Length	Wire Size	Jaw Width	Jaw Thickness	Edge Type/ Cut Capacity	Jaw Capacity	Wire Cutter	Product Weight
82120	7.6 in	No	1 in	Std./12 AWG	1.1 in	.546 in	Std./12 AWG	.75 in	Yes	0.855 lb

### PivotForce™ Dipped Handle Long Nose Cutting Compound Action Plier

- Unique compound action requires 40% less effort to cut
- Induction hardened cutting edge for a long tool life
- Manufactured from alloy steel for improved strength and durability
- Anti-rust clear coat extends the life of your tool
- Professional, ergonomic dipped grips wipe clean easily
- Designed for improved access in confined spaces
- Machined, cross check jaw pattern twists and grips in any direction
- Meets or exceeds applicable ASME performance requirements



Cat. No.	Overall Length	Wire Crimper	Jaw Length	Wire Size	Jaw Width	Jaw Thickness	Edge Type/ Cut Capacity	Jaw Capacity	Wire Cutter	Product Weight
82121	8.25 in	No	2.39 in	Std./12 AWG	1.1 in	.546 in	Std./12 AWG	1.375 in	Yes	0.890 lb

### Dipped Handle Push Button Tongue and Groove Pliers

- Push button allows quick and easy size adjustment
- Improved flexibility and gripping comfort, with double the jaw positions of other tongue and groove pliers
- Induction hardened V-jaws with angled teeth grip flat, curved, square or hexagonal objects
- Long jaws with a thin head design for working in tight spaces
- Manufactured from chrome vanadium steel for improved strength and durability
- Anti-rust clear coat extends the life of your tool
- Professional dipped grips wipe clean easily
- Meets or exceeds ASME performance requirements



Cat. No.	Overall Length	Jaw Capacity	Jaw Type	Wire Cutter	Product Weight
82158	8 in	1.875 in	V-Jaw	No	0.46 lb
82160	10 in	2.125 in	V-Jaw	No	0.79 lb
82162	12 in	2.5 in	V-Jaw	No	1.13 lb

### Diagonal Cutting Pliers

- Solid, flush set rivet for a smooth cutting action with no handle wobble
- Textured non-slip dip grips for working comfort
- Manufactured from alloy steel and heat treated for greater strength and durability
- Precision machined cutting edges, beveled for close cutting and induction hardened for long lasting sharpness and durability
- Meets or exceeds ASME specifications
- Made in the USA



Cat. No.	Overall Length	Wire Crimper	Jaw Length	Jaw Width	Jaw Thickness	Edge Type/Cut Capacity	Jaw Capacity	Jaw Type	Product Weight
67-163G	7.437 in	No	1 in	.875 in	.437 in	Standard	1.5 in	Diagonal Cutting	0.700 lb

### Diagonal Cutting Pliers with Spring

- Precision machined cutting edges, beveled for close cutting and induction hardened for long lasting sharpness and durability
- Spring reduces fatigue by automatically returning the jaws to the open position after the cut
- Solid, flush set rivet for a smooth cutting action with no handle wobble
- Textured non-slip dip grips for working comfort
- Manufactured from alloy steel and heat treated for greater strength and durability
- Meets or exceeds ASME specifications
- Made in the USA



Cat. No.	Application	Overall Length	Wire Crimper	Jaw Length	Jaw Width	Jaw Thickness	Edge Type /Cut Capacity	Jaw Capacity	Wire Cutter	Product Weight
67-173G	Repetition	5.125 in	No	.75 in	.687 in	.375 in	Standard	.5 in	Yes	0.500 lb
67-183G	Repetition	4.468 in	No	.562 in	.437 in	.25 in	Standard	.5 in	Yes	0.400 lb

### High Leverage Long Reach Diagonal Cutting Pliers

- Joint rivet positioned closer to the cutting edges to increase cutting power
- Angled head design provides access to hard-to-reach areas
- Precision machined cutting edges, beveled for close cutting and induction hardened for long lasting sharpness and durability
- Extra long handle improves access to hard-to-reach areas
- Solid, flush set rivet for a smooth cutting action with no handle wobble
- Textured non-slip dip grips for working comfort
- Manufactured from alloy steel and heat treated for greater strength and durability
- Made in the USA



Cat. No.	Application	Overall Length	Wire Crimper	Jaw Length	Jaw Width	Jaw Thickness	Edge Type/ Cut Capacity	Jaw Capacity	Wire Cutter	Product Weight
67-101G	High Leverage	11.125 in	No	1 in	1.156 in	.468 in	Standard	1.12 in	Yes	1.000 lb

### Chain Nose Pliers with Wire Stripper

- Built-in wire stripper for the removal of wire insulation
- Slim, tapered nose design works in confined areas
- Jaws have diamond serrated tips for gripping and twisting
- Solid, flush set rivet for a smooth cutting action with no handle wobble
- Textured non-slip dip grips for working comfort
- Manufactured from alloy steel and heat treated for greater strength and durability
- Meets or exceeds ASME specifications
- Made in the USA



Cat. No.	Application	Overall Length	Wire Crimper	Jaw Length	Jaw Width	Jaw Thickness	Jaw Capacity	Jaw Type	Wire Cutter	Product Weight
67-331G	Straight	7.812 in	No	2.31 in	.813 in	.438 in	2.5 in	Chain Nose	Yes	0.700 lb

### Long Reach Chain Nose Pliers

- Extra long handle for improved access provides more holding power at the tip with less effort
- Slim, tapered nose design works in confined areas
- Jaws have diamond serrated tips for gripping and twisting
- Solid, flush set rivet for a smooth cutting action with no handle wobble
- Textured non-slip dip grips for working comfort
- Manufactured from alloy steel and heat treated for greater strength and durability
- Made in the USA



Cat. No.	Application	Overall Length	Wire Crimper	Jaw Length	Jaw Width	Jaw Thickness	Jaw Capacity	Jaw Type	Wire Cutter	Product Weight
67-240G	Straight	11.562 in	No	2.813 in	.718 in	.406 in	1.81 in	Chain Nose	No	1.000 lb

### Bent Long Reach Chain Nose Pliers

- Extra long handle for improved access provides more holding power at the tip with less effort
- Jaws have diamond serrated tips for gripping and twisting
- Slim, tapered, bent nose design for working around obstructions
- Solid, flush set rivet for a smooth cutting action with no handle wobble
- Textured non-slip dip grips for working comfort
- Manufactured from alloy steel and heat treated for greater strength and durability
- Made in the USA



Cat. No.	Application	Overall Length	Wire Crimper	Jaw Length	Jaw Width	Jaw Thickness	Jaw Capacity	Jaw Type	Wire Cutter	Product Weight
67-241G	Bent	11.375 in	No	2.563 in	.718 in	.406 in	1.75 in	Chain Nose	No	1.000 lb

### Long Thin Needle Nose Pliers

- Long, thin needle nose design for working in extremely confined areas
- Jaws have diamond serrated tips for gripping and twisting
- Solid, flush set rivet for a smooth cutting action with no handle wobble
- Textured non-slip dip grips for working comfort
- Manufactured from alloy steel and heat treated for greater strength and durability
- Meets or exceeds ASME specifications
- Made in the USA



Cat. No.	Overall Length	Wire Crimper	Jaw Length	Jaw Width	Jaw Thickness	Jaw Capacity	Jaw Type	Wire Cutter	Product Weight
67-357G	5.875 in	No	2.063 in	.438 in	.25 in	1.75 in	Straight	No	0.500 lb
67-367G	6.875 in	No	2.25 in	.688 in	.375 in	1.5 in	Straight	No	0.600 lb

### Duckbill Pliers

- Flat, wider nose design with more gripping surface for working in confined areas
- Joint rivet positioned closer to the jaws to provide improved gripping power
- Jaws have diamond serrated tips for gripping and twisting
- Solid, flush set rivet for a smooth cutting action with no handle wobble
- Textured non-slip dip grips for working comfort
- Manufactured from alloy steel and heat treated for greater strength and durability
- Meets or exceeds ASME specifications
- Made in the USA



Cat. No.	Overall Length	Wire Crimper	Jaw Length	Jaw Width	Jaw Thickness	Jaw Type	Wire Cutter	Wire Cutter	Product Weight
67-503G	8 in	No	1.375 in	.5 in	.375 in	Straight	No	No	0.800 lb

### 6 Pc. Wiretwister Plier Set

- Used for safety-wiring fasteners in aviation, engines, gearboxes or any critical assemblies
- Induction hardened cutting edges specifically designed for cutting stainless steel safety wire
- Diamond serrations on jaws hold wire securely and resist nicking
- Diagonal shaped nose improves access in tight work areas
- Includes three spools of stainless steel safety wire: 0.02", 0.032" and 0.041"
- Includes blow mold case for storage and organization
- Meets or exceeds ASME and US federal specifications
- Made in the USA



Cat. No.	Included Storage	Product Weight
68-199G	Blow Mold Case	3.780 lb

Cat. No.	Description	Cat. No.	Description
68-175G	9" Automatic Right Hand Diagonal Nose Wiretwister	-	Stainless Steel Safety Wire .02
68-163G	6" Manual Right Hand Diagonal Nose Wiretwister	-	Stainless Steel Safety Wire .032
-	19" Deep Reach Wiretwister Extension	-	Stainless Steel Safety Wire .041

### Automatic Right Hand Diagonal Nose Wiretwister Pliers

- Used for safety-wiring fasteners in aviation, engines, gearboxes or any critical assemblies
- Induction hardened cutting edges specifically designed for cutting stainless steel safety wire
- Diamond serrations on jaws hold wire securely and resist nicking
- Diagonal shaped nose improves access in tight work areas
- Automatic spring return for faster operation and reduced fatigue
- Meets or exceeds ASME and US federal specifications
- Made in the USA



Cat. No.	Overall Length	Wire Crimper	Jaw Length	Wire Size	Jaw Width	Jaw Thickness	Jaw Type	Wire Cutter	Product Weight
68-175G	10.5 in	No	1.562 in	0.02 in - 0.06 in	.812 in	.437 in	Wiretwister	Yes	0.850 lb
68-178G	11.875 in	No	1.562 in	0.02 in - 0.06 in	.812 in	.437 in	Wiretwister	Yes	1.200 lb

### Reversible Diagonal Nose Wiretwister Pliers

- Used for safety-wiring fasteners in aviation, engines, gearboxes or any critical assemblies
- Induction hardened cutting edges specifically designed for cutting stainless steel safety wire
- Diamond serrations on jaws hold wire securely and resist nicking
- Diagonal shaped nose improves access in tight work areas
- Reversible feature provides both right and left twist capability
- Meets or exceeds ASME and US federal specifications
- Made in the USA



Cat. No.	Overall Length	Wire Crimper	Jaw Length	Wire Size	Jaw Width	Jaw Thickness	Jaw Type	Wire Cutter	Product Weight
68-177G	8.375 in	No	1.125 in	0.02 in - 0.041 in	.625 in	.375 in	Wiretwister	Yes	0.645 lb
68-179G	11 in	No	1.562 in	0.02 in - 0.06 in	.812 in	.437 in	Wiretwister	Yes	0.880 lb

### Manual Right Hand Diagonal Nose Wiretwister Pliers

- Used for safety-wiring fasteners in aviation, engines, gearboxes or any critical assemblies
- Induction hardened cutting edges specifically designed for cutting stainless steel safety wire
- Diamond serrations on jaws hold wire securely and resist nicking
- Diagonal shaped nose improves access in tight work areas
- Meets or exceeds ASME and US federal specifications
- Made in the USA



Cat. No.	Overall Length	Wire Crimper	Jaw Length	Wire Size	Jaw Width	Jaw Thickness	Jaw Type	Wire Cutter	Product Weight
68-163G	8.375 in	No	1.125 in	0.02 in - 0.041 in	.625 in	.375 in	Wiretwister	Yes	0.580 lb
68-171G	10.5 in	No	1.562 in	0.02 in - 0.041 in	.812 in	.437 in	Wiretwister	Yes	1.250 lb

### 2 Pc. Double-X™ Plier Set

- Maximum reach without exceeding center point of interference
- Jaws open wider than the handles for added reach in tight locations
- Flush rivets for strength with a narrow profile
- Compound joint allows access with minimal handle movement
- Serrated jaws for precision gripping in restricted areas
- Manufactured from alloy steel for improved strength and durability
- Comfort grip handles to reduce hand fatigue



Cat. No.	Included Storage	Product Weight
82106	None	1.81 lb

Cat. No.	Description
82005D	Double-X™ Straight Pliers
82006D	Double-X™ 45° Pliers

### Double-X™ Straight Pliers

- Maximum reach without exceeding center point of interference
- Jaws open wider than the handles for added reach in tight locations
- Flush rivets for strength with a narrow profile
- Compound joint allows access with minimal handle movement
- Serrated jaws for precision gripping in restricted areas
- Manufactured from alloy steel for improved strength and durability
- Comfort grip handles to reduce hand fatigue



Cat. No.	Overall Length	Jaw Length	Jaw Width	Jaw Thickness	Jaw Capacity	Jaw Type	Wire Cutter	Product Weight
82005D	13.46 in	3.15 in	0.68 in	0.39 in	1.5 in	Straight	No	0.94 lb

### Double-X™ 45° Pliers

- Maximum reach without exceeding center point of interference
- Jaws open wider than the handles for added reach in tight locations
- Flush rivets for strength with a narrow profile
- Compound joint allows access with minimal handle movement
- Serrated jaws for precision gripping in restricted areas
- Manufactured from alloy steel for improved strength and durability
- Comfort grip handles to reduce hand fatigue



Cat. No.	Overall Length	Jaw Length	Jaw Width	Jaw Thickness	Jaw Capacity	Jaw Type	Wire Cutter	Product Weight
82006D	13.27 in	2.95 in	0.68 in	0.39 in	1.5 in	45°	No	0.93 lb



### 3 Pc. Double-X™ Hose Grip Plier Set

- Maximum reach without exceeding center point of interference
- Jaws open wider than the handles for added reach in tight locations
- Flush rivets for strength with a narrow profile
- Compound joint allows access with minimal handle movement
- Manufactured from alloy steel for improved strength and durability
- Use to install and remove hoses and lines without damage
- Comfort grip handles to reduce hand fatigue



Cat. No.	Included Storage	Product Weight
82107	None	3.07 lb

Cat. No.	Description
82017	Double-X™ 5/16" Diameter Hose Grip Pliers
82018	Double-X™ 1/2" Diameter Hose Grip Pliers
82019	Double-X™ 3/4" Diameter Hose Grip Pliers

### Double-X™ Hose Grip Pliers

- Maximum reach without exceeding center point of interference
- Jaws open wider than the handles for added reach in tight locations
- Flush rivets for strength with a narrow profile
- Compound joint allows access with minimal handle movement
- Use to install and remove hoses and lines without damage
- Manufactured from alloy steel for improved strength and durability
- Comfort grip handles to reduce hand fatigue



Cat. No.	Overall Length	Jaw Length	Jaw Width	Jaw Thickness	Jaw Capacity	Jaw Type	Wire Cutter	Product Weight
82017	13.25 in	2.87 in	0.68 in	0.39 in	.312 in	Hose Grip	No	0.96 lb
82018	13.13 in	2.81 in	0.68 in	0.39 in	.5 in	Hose Grip	No	0.96 lb
82019	13.03 in	2.5 in	0.68 in	0.39 in	.75 in	Hose Grip	No	0.95 lb

### 2 Pc. Double-X™ Internal & External Snap Ring Pliers Set

- Interchangeable straight and 90° tips can be easily replaced
- Maximum reach without exceeding center point of interference
- Jaws open wider than the handles for added reach in tight locations
- Flush rivets for strength with a narrow profile
- Compound joint allows access with minimal handle movement
- Manufactured from alloy steel for improved strength and durability
- Comfort grip handles to reduce hand fatigue
- Includes 5 sets of replaceable tips .038" straight & 90° .047" straight & 90°, .07" straight
- Replacement tip set 315177



Cat. No.	Included Storage	Product Weight
82110	None	2.14 lb

Cat. No.	Description
82032	Double-X™ Internal Snap Ring Pliers
82033	Double-X™ External Snap Ring Pliers
315177	Convertible Retaining Ring Tips .038 in Straight & 90° .047 in Straight & 90° .07 in Straight

### Double-X™ Internal Snap Ring Pliers

- Interchangeable straight and 90° tips can be easily replaced
- Maximum reach without exceeding center point of interference
- Jaws open wider than the handles for added reach in tight locations
- Flush rivets for strength with a narrow profile
- Compound joint allows access with minimal handle movement
- Manufactured from alloy steel for improved strength and durability
- Comfort grip handles to reduce hand fatigue
- Includes 5 sets of replaceable tips .038" straight & 90° .047" straight & 90°, .07" straight
- Replacement tip set 315177



Cat. No.	Overall Length	Jaw Length	Tip Description	Jaw Width	Jaw Thickness	Jaw Type	Product Weight
82032	13.46 in	3.15 in	.038 in Straight & 90° .047 in Straight & 90° .07 in Straight	0.68 in	0.39 in	Internal	1.06 lb

### Double-X™ External Snap Ring Pliers

- Interchangeable straight and 90° tips can be easily replaced
- Maximum reach without exceeding center point of interference
- Jaws open wider than the handles for added reach in tight locations
- Flush rivets for strength with a narrow profile
- Compound joint allows access with minimal handle movement
- Manufactured from alloy steel for improved strength and durability
- Comfort grip handles to reduce hand fatigue
- Includes 5 sets of replaceable tips .038" straight & 90° .047" straight & 90°, .07" straight
- Replacement tip set 315177



Cat. No.	Overall Length	Jaw Length	Tip Description	Jaw Width	Jaw Thickness	Jaw Type	Jaw Type	Product Weight
82033	13.46 in	3.15 in	.038 in Straight & 90° .047 in Straight & 90° .07 in Straight	0.68 in	0.39 in	External	External	1.12 lb

### 5 Pairs of Interchangeable Snap Ring Plier Tips

- For use with internal and external convertible pliers
- Includes 5 pair of replacement tips and a hex key



Cat. No.	Used On	Tip Description	Jaw Type	Product Weight
315077	3150D	.024 in Straight .038 in Straight & 90° .047 in Straight & 90°	Convertible	0.090 lb
315177	82032 82033 82110 3151	.038 in Straight & 90° .047 in Straight & 90° .070 in Straight	Convertible	0.05 lb
315277	3152D	.090 in 15° .090 in 90° .108 in 15° & 90° .120 in 15° & 90°	Convertible	0.100 lb

### 2 Pc. Double-X™ Hemostat Plier Set

- Maximum reach without exceeding center point of interference
- Jaws open wider than the handles for added reach in tight locations
- Flush rivets for strength with a narrow profile
- Compound joint allows access with minimal handle movement
- Manufactured from alloy steel for improved strength and durability
- Locking function allows you to vary clamping force



Cat. No.	Included Storage	Product Weight
82111	None	0.65 lb

Cat. No.	Description
82034	Double-X™ Straight Hemostat Pliers
82035	Double-X™ 45° Hemostat Pliers

### Straight Hemostat Double-X™ Pliers

- Maximum reach without exceeding center point of interference
- Jaws open wider than the handles for added reach in tight locations
- Flush rivets for strength with a narrow profile
- Compound joint allows access with minimal handle movement
- Straight nose design
- Manufactured from stainless steel for improved strength and durability
- Locking function allows you to vary clamping force



Cat. No.	Overall Length	Jaw Length	Jaw Width	Jaw Thickness	Jaw Capacity	Jaw Type	Wire Cutter	Product Weight
82034	10 in	4.22 in	0.16 in	0.13 in	2.87 in	Hemostat	No	0.23 lb

### 45° Hemostat Double-X™ Pliers

- Maximum reach without exceeding center point of interference
- Jaws open wider than the handles for added reach in tight locations
- Flush rivets for strength with a narrow profile
- Compound joint allows access with minimal handle movement
- 45° bent nose design
- Manufactured from stainless steel for improved strength and durability
- Locking function allows you to vary clamping force



Cat. No.	Overall Length	Jaw Length	Jaw Width	Jaw Thickness	Jaw Capacity	Jaw Type	Wire Cutter	Product Weight
82035	10 in	4.09 in	0.16 in	0.13 in	2.87 in	Hemostat	No	0.23 lb

### 12 Pc. Fixed Tip Combination Snap Ring Pliers Set

- Remove and install internal and external snap rings
- Fixed tips for everyday professional use
- Straight jaws for deeper access and 45° & 90° jaws for excellent line of sight to the snap ring
- Comfort grip handles to reduce user hand fatigue
- Includes the four most popular tip sizes
- Includes blow mold case for storage and organization



Cat. No.	Included Storage	Product Weight
3495	Blow Mold Case	5.15 lb

Cat. No.	Description	Cat. No.	Description
3483DD	Straight Fixed Tip Convertible Snap Ring Pliers 0.038	3489	Straight Fixed Tip Convertible Snap Ring Pliers 0.070
3484D	45° Fixed Tip Convertible Snap Ring Pliers 0.038	3490D	45° Fixed Tip Convertible Snap Ring Pliers 0.070
3485D	90° Fixed Tip Convertible Snap Ring Pliers 0.038	3491	90° Fixed Tip Convertible Snap Ring Pliers 0.070
3486	Straight Fixed Tip Convertible Snap Ring Pliers 0.047	3492	Straight Fixed Tip Convertible Snap Ring Pliers 0.090
3487	45° Fixed Tip Convertible Snap Ring Pliers 0.047	3493	45° Fixed Tip Convertible Snap Ring Pliers 0.090
3488D	90° Fixed Tip Convertible Snap Ring Pliers 0.047	3494	90° Fixed Tip Convertible Snap Ring Pliers 0.090

### Fixed Tip Snap Ring Pliers

- Versatile heavy-duty design
- Remove and install internal and external snap rings
- Fixed tips for everyday professional use
- Comfort grip handles to reduce user hand fatigue



Cat. No.	Overall Length	Tip Description	Jaw Type	Product Weight
3483DD	6 in	0.038" Straight	Convertible	0.16 lb
3484D	5.75 in	0.038" 45°	Convertible	0.16 lb
3485D	5.75 in	0.038" 90°	Convertible	0.16 lb
3486	6 in	0.047" Straight	Convertible	0.16 lb
3487	6 in	.047 in 45°	Convertible	0.16 lb
3488D	5.75 in	.047 in 90°	Convertible	0.16 lb
3489	7.75 in	.07 in Straight	Convertible	0.27 lb
3490D	7.75 in	.07 in 45°	Convertible	0.27 lb
3491	7.37 in	.07 in 90°	Convertible	0.27 lb
3492	9 in	.09 in Straight	Convertible	0.50 lb
3493	9.25 in	.09 in 45°	Convertible	0.50 lb
3494	9 in	.09 in 90°	Convertible	0.50 lb

### Fixed Tip Convertible Snap Ring Pliers

- Removes and installs internal and external snap rings
- Comfort grip handles to reduce user hand fatigue
- Jaws spread up to 1-1/4" wide
- Straight tips with a 0.07" diameter



Cat. No.	Tip Description	Jaw Type	Product Weight
1715D	0.070 in	Convertible	0.10 lb

### 6 Pc. Cam-Lock Style Convertible Snap Ring Plier Set

- Changes quickly from internal to external ring applications
- Push the button on the knob and rotate to change
- Fits internal and external rings, 1/4" to 2" diameter
- Professional dipped grips wipe clean easily
- Popular tip diameters and styles included
- Included blow mold case for storage and organization



Cat. No.	Included Storage	Product Weight
3859D	Blow Mold Case	0.40 lb

Cat. No.	Description	Cat. No.	Description
-	6" 18° Cam-Lock Pliers .038"	-	5-3/4" 90° Cam-Lock Pliers .047"
-	5-7/8" 90° Cam-Lock Pliers .038"	-	7-3/8" 18° Cam-Lock Pliers .07"
-	6-1/8" 18° Cam-Lock Pliers .047"	-	7" 90° Cam-Lock Pliers .07"

### 4 Pc. 7" Fixed Tip Snap Ring Plier Set

- Remove and install internal and external snap rings
- Fixed tips for everyday professional use
- Forged design for strength and durability
- Tapered jaw design allows increased reach and access
- Tapered tip design for improved snap ring retention
- Straight jaws for deeper access and 90° jaws for excellent line of sight to the snap ring
- Professional easy clean dipped grips



Cat. No.	Included Storage	Product Weight
82150	None	1.5 lb

Cat. No.	Description	Cat. No.	Description
82136	7" Straight Fixed Tip External Snap Ring Pliers	82139	7" Straight Fixed Tip Internal Snap Ring Pliers
82137	7" 90° Fixed Tip External Snap Ring Pliers	82140	7" 90° Fixed Tip Internal Snap Ring Pliers

### Straight Fixed Tip Internal Snap Ring Pliers

- Remove and install internal snap rings
- Fixed tips for everyday professional use
- Forged design for strength and durability
- Tapered jaw design allows increased reach and access
- Tapered tip design for improved snap ring retention
- Straight jaws for deeper access
- Professional easy clean dipped grips



Cat. No.	Overall Length	Tip Description	Jaw Type	Product Weight
82133	5 in	.049 in Straight	Internal	0.18 lb
82139	7 in	.07 in Straight	Internal	0.29 lb
82145	9 in	.09 in Straight	Internal	0.68 lb

### Straight Fixed Tip External Snap Ring Pliers

- Remove and install external snap rings
- Fixed tips for everyday professional use
- Forged design for strength and durability
- Tapered jaw design allows increased reach and access
- Tapered tip design for improved snap ring retention
- Straight jaws for deeper access
- Professional easy clean dipped grips



Cat. No.	Overall Length	Tip Description	Jaw Type	Product Weight
82130	5 in	.049 in Straight	External	0.19 lb
82136	7 in	.07 in Straight	External	0.31 lb
82142	9 in	.09 in Straight	External	0.65 lb

### 90° Fixed Tip Internal Snap Ring Pliers

- Remove and install internal snap rings
- Fixed tips for everyday professional use
- Forged design for strength and durability
- Tapered jaw design allows increased reach and access
- Tapered tip design for improved snap ring retention
- 90° jaws for excellent line of sight to the snap ring
- Professional easy clean dipped grips



Cat. No.	Overall Length	Tip Description	Jaw Type	Product Weight
82134	5 in	.049 in 90°	Internal	0.18 lb
82140	7 in	.07 in 90°	Internal	0.29 lb
82146	9 in	.09 in 90°	Internal	0.68 lb



### 90° Fixed Tip External Snap Ring Pliers

- Remove and install external snap rings
- Fixed tips for everyday professional use
- Forged design for strength and durability
- Tapered jaw design allows increased reach and access
- Tapered tip design for improved snap ring retention
- 90° jaws for excellent line of sight to the snap ring
- Professional easy clean dipped grips



Cat. No.	Overall Length	Tip Description	Jaw Type	Product Weight
82131	5 in	.049 in 90°	External	0.19 lb
82137	7 in	.07 in 90°	External	0.31 lb
82143	9 in	.09 in 90°	External	0.65 lb

### Fixed Tip Internal Snap Ring Pliers

- For use with internal retaining rings
- Fixed tips for simplified operation
- Tips are precision formed and induction hardened for an accurate fit and long life
- Meets or exceeds ASME and US Federal specifications
- Made in the USA



Cat. No.	Overall Length	Jaw Length	Tip Description	Jaw Width	Jaw Type	Product Weight
67-971G	5.437 in	1.875 in	.038 in Straight	.75 in	Internal	0.155 lb

### Fixed Tip External Retaining Ring Pliers

- For use with external retaining rings
- Fixed tips for simplified operation
- Tips are precision formed and induction hardened for an accurate fit and long life
- Meets or exceeds ASME and US Federal specifications
- Made in the USA



Cat. No.	Overall Length	Jaw Length	Tip Description	Jaw Width	Jaw Type	Product Weight
67-927G	5.437 in	1.781 in	.035 in 90° External	.875 in	External	0.135 lb

### Fixed Tip External Lock Ring Pliers

- Remove and install snap rings without holes
- Used primarily on brakes, transmissions, and pedal or clutch shafts
- Scored jaws grip rings securely without holes
- Professional dipped grips wipe clean easily



Cat. No.	Jaw Opening	Overall Length	Jaw Capacity	Jaw Type	Product Weight
2534D	.875 in	5.5 in	.875 in	External	0.45 lb

### 3 Pc. Convertible Retaining Ring Plier Set

- Use with internal or external retaining rings
- Contains 3 pliers and 3 replacement tip sets
- Spring loaded handles speed operation
- Replaceable tips are locked into place with a set screw
- Works on shafts and bore diameters from 1/8" to 4"
- Includes blow mold case for storage and organization
- Meets or exceeds ASME B107.19-2004 and US Federal Spec. GGG-P-480E
- Made in the USA



Cat. No.	Included Storage	Product Weight
68-079G	Blow Mold Case	3.530 lb

Cat. No.	Description	Cat. No.	Description
3150D	Small Universal Convertible Retaining Ring Pliers	-	Replacement Tips for 3150D Pliers
3151	Large Universal Convertible Retaining Ring Pliers	-	Replacement Tips for 3151D Pliers
3152D	Extra Large Universal Convertible Retaining Ring Pliers	68-076G	Replacement Tips for 3152D Pliers

### 2 Pc. Heavy-Duty Retaining Ring Plier Set

- Contains one external plier (for shaft diameters 1- 1/2" to 3-3/4") and one internal plier (for bore diameter 2-7/16" to 4")
- Includes eight sets of replaceable tips. 108 Straight, 15°, 45° & 90°. 120 Straight, 15°, 45° & 90°
- Included plastic case for storage and organization
- Meets or exceeds ASME and US Federal specifications
- Made in the USA



Cat. No.	Included Storage	Product Weight
68-080G	Plastic Case	2.635 lb

Cat. No.	Description	Cat. No.	Description
68-082G	4 Pairs .108 Tips Straight 15° 45° & 90°	-	1 Pair Each Tips .108 Straight, 15°, 45° & 90°
68-083G	4 Pairs .120 Tips Straight 15° 45° & 90°	-	1 Pair Each Tips .120 Straight, 15°, 45° & 90°

### 3 Pc. Light Duty Retaining Ring Plier Set

- Contains one 6-1/4" external plier (for shaft diameters 3/8" - 2"), one 6-1/4" internal plier (for bore diameter 3/8" - 2")
- Includes four pairs of replaceable tips 0.047 straight, 0.070 straight, 0.047 45° and 0.038 90°
- Pliers not available seperately
- Includes plastic case for storage and organization
- Meets or exceeds ASME and US Federal specifications
- Made in the USA



Cat. No.	Included Storage	Product Weight
68-065G	Plastic Case	0.725 lb

Cat. No.	Description
-	Internal Retaining Ring Pliers 3/8" - 2"
-	External Retaining Ring Pliers 3/8" - 2"
-	2 Pair Each Tips .047 45° .038 90°

### Super Heavy-Duty Internal Retaining Ring Pliers

- Provides the necessary leverage to expand or contract large retaining rings during installation or removal
- Spring loaded ratcheting mechanism lets you compress or expand the ring gradually, then locks at the desired size
- For use with internal retaining rings only
- Can be used on retaining rings up to 2-3/4" wide
- Replaceable tips available 68-097G
- Meets or exceeds ASME and US Federal specifications
- Made in the USA



Cat. No.	Overall Length	Jaw Length	Tip Description	Jaw Width	Jaw Type	Product Weight
68-090G	16 in	3.625 in	1 Pair Each .120 Straight 45° & 90°	1.812 in	Internal	2.160 lb

### Super Heavy-Duty External Retaining Ring Pliers

- Provides the necessary leverage to expand or contract large retaining rings during installation or removal
- Spring loaded ratcheting mechanism lets you compress or expand the ring gradually, then locks at the desired size
- For use with external retaining rings only
- Can be used on retaining rings up to 2-3/4" wide
- Replaceable tips available 68-097G
- Meets or exceeds ASME and US Federal specifications
- Made in the USA



Cat. No.	Overall Length	Jaw Length	Tip Description	Jaw Width	Jaw Type	Product Weight
68-095G	16 in	3.437 in	1 Pair Each .120 Straight 45° & 90°	2.937 in	External	2.160 lb

### Heavy-Duty Combination Snap Ring Pliers

- Use to remove and install heavy-duty snap rings
- Internal snap rings from 2-7/16" to 3-1/2" diameter
- External snap rings from 1-1/2" to 4" diameter
- Tips lock securely into the jaws
- Screwdriver handle design maintains proper jaw position during use
- Includes 3 pairs of interchangeable tips



Cat. No.	Overall Length	Tip Description	Product Weight
2012D	9.5 in	.108 in 15° & 45° .123 in 45°	1.30 lb

### Extra Large Universal Convertible Retaining Ring Pliers

- For use on internal rings 1-13/16" to 4" and external rings 1-1/2" to 4"
- Push button to easily convert from internal to external snap rings
- Ratcheting feature locks the snap ring in the desired position, reducing hand fatigue
- Professional dipped grips wipe clean easily
- Replacement tips available: part number 315277



Cat. No.	Overall Length	Tip Description	Jaw Type	Product Weight
3152D	10.25 in	.09 in .108 in .12 in 15° & 90°	Convertible	1.20 lb

### Universal Convertible Retaining Ring Pliers

- Easily convert from internal to external rings by moving a lever, no pins to push
- Hex shaped locking guides hold tips securely
- Spring loaded handle for faster work with less hand strain
- Comfort grip handles to reduce user hand fatigue
- Pliers come with 5 pairs of color coded tips and a hex wrench



Cat. No.	Size	Overall Length	Tip Description	Jaw Type	Product Weight
3150D	Small	6.25 in	.038 in Straight & 90° .047 in Straight & 90° .024 in Straight	Convertible	0.30 lb
3151	Large	8 in	.038 in Straight & 90° .047 in Straight & 90° .07 in Straight	Convertible	0.60 lb

### Internal Snap Ring Pliers Interchangeable Tips

- Remove and install internal snap rings from 3/8" to 1-3/4" diameter
- Includes 5 pairs of interchangeable tips
- Replace tips easily using a 5/64" hex key
- Comfort grip handles to reduce user hand fatigue
- Compatible with 447 and 448DD replacement tip sets



Cat. No.	Overall Length	Tip Description	Jaw Type	Product Weight
445	6.5 in	.039 in .048 in .074 in 15° .039 in 45° .047 in 90°	Internal	0.35 lb

### External Snap Ring Pliers Interchangeable Tips

- Removes and installs external snap rings from 1/4" to 1-7/16" diameter
- Includes five pairs of interchangeable points
- Replace tips easily using a 5/64" hex key
- Comfort grip handles to reduce user hand fatigue
- Compatible with 447 and 448DD replacement tip sets



Cat. No.	Overall Length	Tip Description	Jaw Type	Product Weight
446D	6.5 in	.039 in .048 in .074 in 15° .039 in 45° .047 in 90°	External	0.35 lb

### 9 Pairs of Interchangeable Snap Ring Plier Tips

- Includes 9 pairs of interchangeable tips
- Replace tips easily using a 5/64" hex key
- For use with 445 or 446D snap ring pliers



Cat. No.	Used On	Tip Description	Product Weight
448DD	445 446D	1 Pair Each .039 in .047 in .074 in 15° 45° & 90°	0.08 lb

### 5 Pairs of Interchangeable Snap Ring Plier Tips

- Includes 5 pairs of interchangeable tips
- Replace tips easily using a 5/64" hex key
- For use with 445 or 446D snap ring pliers



Cat. No.	Used On	Tip Description	Product Weight
447	445 446D	1 Pair Each .039 in .047 in .074 in 15° .039 in 45° .047 in 90°	0.06 lb

### 5 Pairs of Interchangeable Retaining Ring Plier Tips

- For use with internal and external convertible pliers
- Each tip set comes in a plastic pouch and includes a hex key
- Meets or exceeds ASME and US Federal specifications
- Works with pliers 68-071G
- Made in the USA



Cat. No.	Used On	Tip Description	Jaw Type	Product Weight
68-076G	68-079G	1 Pair Each .090 in 15° & 90° .108 in 15° .120 in 15° & 90°	Convertible	0.115 lb



### 4 Pairs of Heavy-Duty Interchangeable Retaining Ring Plier Tips

- For use with heavy-duty retaining ring pliers
- Meets or exceeds ASME and US Federal specifications
- Made in the USA
- Works with pliers 68-080G



Cat. No.	Used On	Tip Description	Jaw Type	Product Weight
68-082G	68-080G	.108 in Straight 15° 45° & 90°	Convertible	0.070 lb
68-083G	68-080G	.120 in Straight 15° 45° & 90°	Convertible	0.070 lb

### 3 Pairs of Super Heavy-Duty Interchangeable Retaining Ring Plier Tips

- Includes three pairs of replaceable tips .12 in Straight, 45° & 90°
- Works with pliers 68-095G & 68-090G
- Made in the USA



Cat. No.	Used On	Tip Description	Jaw Type	Product Weight
68-097G	68-095G	.120 in Straight 45° & 90°	Internal & External	0.260 lb

### 3 Pairs of Heavy-Duty Interchangeable Snap Ring Plier Tips

- Includes 3 pairs of interchangeable tips and 1 pair of tip clamps with 2 Screws
- Replace tips easily with a 3/32" hex key
- For use with 2012D snap ring pliers



Cat. No.	Used On	Tip Description	Product Weight
457	2012D	.108 in 15° & 45° .123 in 45°	0.10 lb

RATCHETS, SOCKETS, AND DRIVE TOOLS

WRENCHES

IMPACT

TORQUE WRENCHES

SCREWDRIVERS & NUTDRIVERS

PLIERS

CUTTING AND FILING

STRIKING AND STRUCK

PRY BARS

LIGHTING

AUTOMOTIVE SPECIALTY

TOOL STORAGE

MASTER SETS





**114 Pc. SAE & Metric Ratcheting Tap and Die Tool Set**

- Die adapters work on round and hex shaped dies
- Ratcheting T-handles wind dies with a 5° swing arc and have a reversing lever to eliminate hand-over-hand turning
- Twist Lock guide system reduces the "walk back" of the die guide and keeps the dies centered while cutting
- Die adapters work with the 3/8" drive Pass-Thru™ ratchet and socket system as well as socket accessories
- Auto-locking feature allow the tap adapters to be removed safely
- Drive extension adapters provide greater access in confined areas when used with 3/8" drive extensions
- Ratcheting T-wrench works with GEARWRENCH Pass-Thru™ socket system
- Blow mold carrying case with tilted tap holders for easy access and storage
- Set includes 2 ratcheting T-handles, 3 sizes of tap adapters and 2 sizes of die adapters, 2 extension adapters and a sliding T for the adapters, a 4mm hex key, 5 screw extractors, SAE and Metric thread gauges, and 48 taps and dies in SAE and Metric sizes ranging from 4-40 to 3/4" and 3mm to 18mm
- Meets or exceeds ANSI, ASME, DIN, and Federal specifications



Cat. No.	Included Storage	Product Weight
82812	Blow Mold Case	18.25 lb



Cat. No.	Description	Cat. No.	Description
82800	Large Ratcheting T Wrench	388711N	3/8 x 16 NC Plug Tap
82801	Large Locking Tap Adapter	388712N	3/8 x 24 NF Plug Tap
82802D	Large Hex Die Adapter	388713N	7/16 x 14 NC Plug Tap
3881	Medium Ratcheting T Wrench	388714N	7/16 x 20 NF Plug Tap
3883	Medium Tap Adapter	388715N	1/2 x 13 NC Plug Tap
3882	Small Tap Adapter	388716N	1/2 x 20 NF Plug Tap
3884D	Medium Hex Die Adapter	82856N	9/16 x 12 NC Plug Tap
82803D	3/8" Drive Male Extension Adapter	82857N	9/16 x 18 NF Plug Tap
82804	3/8" Drive Female Extension Adapter	82858N	5/8 x 11 NC Plug Tap
-	Sliding "T" for Adapters	82859N	5/8 x 18 NF Plug Tap
-	4mm Hex Key	82860N	3/4 x 10 NC Plug Tap
-	5 Screw Extractors	82861N	3/4 x 16 NF Plug Tap
-	Metric Thread Gauge	388717N	3mm x 0.50 NC Taper Tap
-	SAE Thread Gauge	388718N	3mm x 0.60 NC Taper Tap
388701N	4 x 40 NC Taper Tap	388719N	4mm x 0.70 NC Taper Tap
388702N	6 x 32 NC Taper Tap	388720N	4mm x 0.75 NC Taper Tap
388703N	8 x 32 NC Taper Tap	388721N	5mm x 0.80 NC Taper Tap
388704N	10 x 24 NC Taper Tap	388722N	5mm x 0.90 NC Taper Tap
388705N	10 x 32 NF Taper Tap	388723N	6mm x 1.00 NC Taper Tap
388706N	12 x 24 NC Taper Tap	388724N	7mm x 1.00 NC Taper Tap
388734N	1/8 - 27 NPT Tap	388725N	8mm x 1.25 NC Plug Tap
388733N	1/8 - 28 BSP Tap	388726N	9mm x 1.00 NF Plug Tap
82862N	1/4 - 18 NPT Tap	388727N	9mm x 1.25 NC Plug Tap
388769N	1/4 - 19 BSP Tap	388728N	10mm x 1.25 NF Plug Tap
388707N	1/4 x 20 NC Taper Tap	388729N	10mm x 1.50 NC Plug Tap
388708N	1/4 x 28 NF Taper Tap	388730N	11mm x 1.50 NC Plug Tap
388709N	5/16 x 18 NC Taper Tap	388731N	12mm x 1.50 NF Plug Tap
388710N	5/16 x 24 NF Taper Tap	388732N	12mm x 1.75 NC Plug Tap

Cat. No.	Description	Cat. No.	Description
82850N	14mm x 1.25 NF Plug Tap	82865N	5/8 x 11 NC Hex Die
82851N	14mm x 2.00 NC Plug Tap	82866N	5/8 x 18 NF Hex Die
82852N	16mm x 1.50mm NF Plug Tap	82867N	3/4 x 10 NC Hex Die
82853N	16mm x 2.00 NC Plug Tap	82868N	3/4 x 16 NF Hex Die
82854N	18mm x 1.50 NF Plug Tap	388751N	3mm x 0.50 NC Hex Die
82855N	18mm x 2.50 NC Plug Tap	388752N	3mm x 0.60 NC Hex Die
388735N	4 x 40 NC Hex Die	388753N	4mm x 0.70 NC Hex Die
388736N	6 x 32 NC Hex Die	388754N	4mm x 0.75 NC Hex Die
388737N	8 x 32 NC Hex Die	388755N	5mm x 0.80 NC Hex Die
388738N	10 x 24 NC Hex Die	388756N	5mm x 0.90 NC Hex Die
388739N	10 x 32 NF Hex Die	388757N	6mm x 1.00 NC Hex Die
388740N	12 x 24 NC Hex Die	388758N	7mm x 1.00 NC Hex Die
388767N	1/8 - 27 NPT Hex Die	388759N	8mm x 1.25 NC Hex Die
388768N	1/8 - 28 BSP Hex Die	388760N	9mm x 1.00 NF Hex Die
82869N	1/4 - 18 NPT Hex Die	388761N	9mm x 1.25 NC Hex Die
82876N	1/4 - 19 BSP Hex Die	388762N	10mm x 1.25 NF Hex Die
388741N	1/4 x 20 NC Hex Die	388763N	10mm x 1.50 NC Hex Die
388742N	1/4 x 28 NF Hex Die	388764N	11mm x 1.50 NC Hex Die
388743N	5/16 x 18 NC Hex Die	388765N	12mm x 1.50 NF Hex Die
388744N	5/16 x 24 NF Hex Die	388766N	12mm x 1.75 NC Hex Die
388745N	3/8 x 16 NC Hex Die	82870N	14mm x 1.25 NF Hex Die
388746N	3/8 x 24 NF Hex Die	82871N	14mm x 2.00 NC Hex Die
388747N	7/16 x 14 NC Hex Die	82872N	16mm x 1.50 NF Hex Die
388748N	7/16 x 20 NF Hex Die	82873N	16mm x 2.00 NC Hex Die
388749N	1/2 x 13 NC Hex Die	82874N	18mm x 1.50 NF Hex Die
388750N	1/2 x 20 NF Hex Die	82875N	18mm x 2.50 NC Hex Die
82863N	9/16 x 12 NC Hex Die		
82864N	9/16 x 18 NF Hex Die		

### 75 Pc. SAE & Metric Medium Ratcheting Tap and Die Tool Set

- Die adapter works on round and hex shaped dies
- Ratcheting T-handles wind dies with a 5° swing arc and have a reversing lever to eliminate hand-over-hand turning
- Twist Lock guide system reduces the "walk back" of the die guide and keeps dies centered while cutting
- Die adapters work with the 3/8" drive Pass-Thru™ ratchet and socket system as well as socket accessories
- Auto-locking feature allow the tap adapters to be removed safely
- Spring-loaded cap allows for quick release of large tap adapter
- Drive extension adapters provide greater access in confined areas when used with 3/8" drive extensions
- Ratcheting T-wrench works with GEARWRENCH Pass-Thru™ socket system
- Blow mold carrying case with tilted tap holders for easy access and storage



Cat. No.	Included Storage	Product Weight
3887	Blow Mold Case	7.22 lb

Cat. No.	Description	Cat. No.	Description
3881	Medium Ratcheting T Wrench	388721N	5mm x 0.80 NC Taper Tap
3882	Small Tap Adapter	388722N	5mm x 0.90 NC Taper Tap
3883	Medium Tap Adapter	388723N	6mm x 1.00 NC Taper Tap
3884D	Medium Hex Die Adapter	388724N	7mm x 1.00 NC Taper Tap
-	Sliding "T" for Adapters	388725N	8mm x 1.25 NC Plug Tap
-	SAE screw pitch gauge	388726N	9mm x 1.00 NF Plug Tap
-	Metric screw pitch gauge	388727N	9mm x 1.25 NC Plug Tap
-	4mm Hex Key	388728N	10mm x 1.25 NF Plug Tap
-	Spacer Adapter	388729N	10mm x 1.50 NC Plug Tap
388701N	4 x 40 NC Taper Tap	388730N	11mm x 1.50 NC Plug Tap
388702N	6 x 32 NC Taper Tap	388731N	12mm x 1.50 NF Plug Tap
388703N	8 x 32 NC Taper Tap	388732N	12mm x 1.75 NC Plug Tap
388704N	10 x 24 NC Taper Tap	388735N	4 x 40 NC Hex Die
388705N	10 x 32 NF Taper Tap	388736N	6 x 32 NC Hex Die
388706N	12 x 24 NC Taper Tap	388737N	8 x 32 NC Hex Die
388707N	1/4 x 20 NC Taper Tap	388738N	10 x 24 NC Hex Die
388708N	1/4 x 28 NF Taper Tap	388739N	10 x 32 NF Hex Die
388709N	5/16 x 18 NC Taper Tap	388740N	12 x 24 NC Hex Die
388710N	5/16 x 24 NF Taper Tap	388741N	1/4 x 20 NC Hex Die
388711N	3/8 x 16 NC Plug Tap	388742N	1/4 x 28 NF Hex Die
388712N	3/8 x 24 NF Plug Tap	388743N	5/16 x 18 NC Hex Die
388713N	7/16 x 14 NC Plug Tap	388744N	5/16 x 24 NF Hex Die
388714N	7/16 x 20 NF Plug Tap	388745N	3/8 x 16 NC Hex Die
388715N	1/2 x 13 NC Plug Tap	388748N	7/16 x 20 NF Hex Die
388716N	1/2 x 20 NF Plug Tap	388749N	1/2 x 13 NC Hex Die
388733N	1/8 - 28 BSP Tap	388750N	1/2 x 20 NF Hex Die
388734N	1/8 - 27 NPT Tap	388751N	3mm x 0.50 NC Hex Die
388717N	3mm x 0.50 NC Taper Tap	388752N	3mm x 0.60 NC Hex Die
388718N	3mm x 0.60 NC Taper Tap	388753N	4mm x 0.70 NC Hex Die
388719N	4mm x 0.70 NC Taper Tap	388754N	4mm x 0.75 NC Hex Die
388720N	4mm x 0.75 NC Taper Tap	388755N	5mm x 0.80 NC Hex Die
388756N	5mm x 0.90 NC Hex Die	388763N	10mm x 1.50 NC Hex Die

Cat. No.	Description	Cat. No.	Description
388757N	6mm x 1.00 NC Hex Die	388764N	11mm x 1.50 NC Hex Die
388758N	7mm x 1.00 NC Hex Die	388765N	12mm x 1.50 NF Hex Die
388759N	8mm x 1.25 NC Hex Die	388766N	12mm x 1.75 NC Hex Die
388760N	9mm x 1.00 NF Hex Die	388767N	1/8 - 27 NPT Hex Die
388761N	9mm x 1.25 NC Hex Die	388768N	1/8 - 28 BSP Hex Die
388762N	10mm x 1.25 NF Hex Die		

### 40 Pc. SAE Ratcheting Tap and Die Tool Set

- Die adapter works on round and hex shaped dies
- Ratcheting T-handles wind dies with a 5° swing arc and have a reversing lever to eliminate hand-over-hand turning
- Twist Lock guide system reduces the "walk back" of the die guide and keeps the dies centered while cutting
- Die adapters work with the 3/8" drive Pass-Thru™ ratchet and socket system as well as socket accessories
- Auto-locking feature allow the tap adapters to be removed safely
- Spring-loaded cap allows for quick release of large tap adapter
- Drive extension adapters provide greater access in confined areas when used with 3/8" drive extensions
- Ratcheting T-wrench works with GEARWRENCH Pass-Thru™ socket system
- Blow mold case with tilted tap holders for easy access and storage



Cat. No.	Included Storage	Product Weight
3885	Blow Mold Case	4.55 lb

Cat. No.	Description	Cat. No.	Description
3881	Medium Ratcheting T Wrench	388714N	7/16 x 20 NF Plug Tap
3882	Small Tap Adapter	388715N	1/2 x 13 NC Plug Tap
3883	Medium Tap Adapter	388716N	1/2 x 20 NF Plug Tap
3884D	Medium Hex Die Adapter	388734N	1/8 - 27 NPT Tap
-	Sliding "T" for Adapters	388735N	4 x 40 NC Hex Die
-	Thread gauge	388736N	6 x 32 NC Hex Die
-	4mm Hex Key	388737N	8 x 32 NC Hex Die
-	Spacer Adapter	388738N	10 x 24 NC Hex Die
388701N	4 x 40 NC Taper Tap	388739N	10 x 32 NF Hex Die
388702N	6 x 32 NC Taper Tap	388740N	12 x 24 NC Hex Die
388703N	8 x 32 NC Taper Tap	388767N	1/8 - 27 NPT Hex Die
388704N	10 x 24 NC Taper Tap	388741N	1/4 x 20 NC Hex Die
388705N	10 x 32 NF Taper Tap	388742N	1/4 x 28 NF Hex Die
388706N	12 x 24 NC Taper Tap	388743N	5/16 x 18 NC Hex Die
388707N	1/4 x 20 NC Taper Tap	388744N	5/16 x 24 NF Hex Die
388708N	1/4 x 28 NF Taper Tap	388745N	3/8 x 16 NC Hex Die
388709N	5/16 x 18 NC Taper Tap	388746N	3/8 x 24 NF Hex Die
388710N	5/16 x 24 NF Taper Tap	388747N	7/16 x 14 NC Hex Die
388711N	3/8 x 16 NC Plug Tap	388748N	7/16 x 20 NF Hex Die
388712N	3/8 x 24 NF Plug Tap	388749N	1/2 x 13 NC Hex Die
388713N	7/16 x 14 NC Plug Tap	388750N	1/2 x 20 NF Hex Die

### 40 Pc. Metric Ratcheting Tap and Die Tool Set

- Die adapter works on round and hex shaped dies
- Ratcheting T-handles wind dies with a 5° swing arc and have a reversing lever to eliminate hand-over-hand turning
- Twist Lock guide system reduces the “walk back” of the die guide and keeps the dies centered while cutting
- Die adapters work with the 3/8” drive Pass-Thru™ ratchet and socket system as well as socket accessories
- Auto-locking feature allow the tap adapters to be removed safely
- Spring-loaded cap allows for quick release of large tap adapter
- Drive extension adapters provide greater access in confined areas when used with 3/8” drive extensions
- Ratcheting T-wrench works with GEARWRENCH Pass-Thru™ socket system
- Blow mold case with tilted tap holders for easy access and storage



Cat. No.	Included Storage	Product Weight
3886	Blow Mold Case	4.47 lb

Cat. No.	Description	Cat. No.	Description
3881	Medium Ratcheting T Wrench	388730N	11mm x 1.50 NC Plug Tap
3882	Small Tap Adapter	388731N	12mm x 1.50 NF Plug Tap
3883	Medium Tap Adapter	388732N	12mm x 1.75 NC Plug Tap
3884D	Medium Hex Die Adapter	388733N	1/8 - 28 BSP Tap
-	Sliding “T” for Adapters	388751N	3mm x 0.50 NC Hex Die
-	Thread gauge	388752N	3mm x 0.60 NC Hex Die
-	4mm Hex Key	388753N	4mm x 0.70 NC Hex Die
-	Spacer Adapter	388754N	4mm x 0.75 NC Hex Die
388717N	3mm x 0.50 NC Taper Tap	388755N	5mm x 0.80 NC Hex Die
388718N	3mm x 0.60 NC Taper Tap	388756N	5mm x 0.90 NC Hex Die
388719N	4mm x 0.70 NC Taper Tap	388757N	6mm x 1.00 NC Hex Die
388720N	4mm x 0.75 NC Taper Tap	388758N	7mm x 1.00 NC Hex Die
388721N	5mm x 0.80 NC Taper Tap	388759N	8mm x 1.25 NC Hex Die
388722N	5mm x 0.90 NC Taper Tap	388760N	9mm x 1.00 NF Hex Die
388723N	6mm x 1.00 NC Taper Tap	388761N	9mm x 1.25 NC Hex Die
388724N	7mm x 1.00 NC Taper Tap	388762N	10mm x 1.25 NF Hex Die
388725N	8mm x 1.25 NC Plug Tap	388763N	10mm x 1.50 NC Hex Die
388726N	9mm x 1.00 NF Plug Tap	388764N	11mm x 1.50 NC Hex Die
388727N	9mm x 1.25 NC Plug Tap	388765N	12mm x 1.50 NF Hex Die
388728N	10mm x 1.25 NF Plug Tap	388766N	12mm x 1.75 NC Hex Die
388729N	10mm x 1.50 NC Plug Tap	388768N	1/8 - 28 BSP Hex Die

### 11 Pc. Ratcheting Tap and Die Accessory Set

- Die adapters work on round and hex shaped dies
- Ratcheting T-handles wind dies with a 5° swing arc and have a reversing lever to eliminate hand-over-hand turning
- Twist Lock guide system reduces the “walk back” of the die guide and keeps the dies centered while cutting
- Auto-locking feature allow the tap adapters to be removed safely
- Ratcheting T-wrench works with GEARWRENCH Pass-Thru™ socket system
- Includes blow mold case for storage and organization



Cat. No.	Included Storage	Product Weight
82807	Blow Mold Case	6.96 lb

Cat. No.	Description	Cat. No.	Description
3881	Medium Ratcheting T Wrench	82802D	Large Hex Die Adapter
3882	Small Tap Adapter	82803D	3/8” Drive Male Extension Adapter
3883	Medium Tap Adapter	82804	3/8” Drive Female Extension Adapter
3884D	Medium Hex Die Adapter	-	4mm Hex Key
82800	Large Ratcheting T Wrench	-	Sliding “T” for Adapters
82801	Large Locking Tap Adapter		

### 5 Pc. Ratcheting Tap and Die Accessory Set

- Die adapter works on round and hex shaped dies
- Ratcheting T-handles wind dies with a 5° swing arc and have a reversing lever to eliminate hand-over-hand turning
- Twist Lock guide system reduces the “walk back” of the die guide and keeps the dies centered while cutting
- Die adapters work with the 3/8” drive Pass-Thru™ ratchet and socket system as well as socket accessories
- Auto-locking feature allow the tap adapters to be removed safely
- Ratcheting T-wrench works with GEARWRENCH Pass-Thru™ socket system
- Includes blow mold case for storage and organization



Cat. No.	Included Storage	Product Weight
3880	Blow Mold Case	2.65 lb

Cat. No.	Description	Cat. No.	Description
3881	Medium Ratcheting T Wrench	3884D	Medium Hex Die Adapter
3882	Small Tap Adapter	-	Sliding “T” for Adapters
3883	Medium Tap Adapter		



### 4 Pc. Ratcheting Tap and Die Accessory Set

- Eliminates hand-over-hand turning
- Auto-locking feature allow the tap adapters to be removed safely
- Spring-loaded cap allows for quick release of large tap adapter
- Die adapter works on round and hex shaped dies
- Includes blow mold case for storage and organization



Cat. No.	Included Storage	Product Weight
82806	Blow Mold Case	5.165 lb

Cat. No.	Description	Cat. No.	Description
82800	Large Ratcheting T Wrench	82802D	Large Hex Die Adapter
82801	Large Locking Tap Adapter	-	Sliding "T" for Adapters

### Ratcheting "T" Wrench

- 72 tooth fine ratcheting mechanism has a 5° swing arc decreases hand-over-hand turning
- Flush mounted reversing lever allows user to change direction without removing the wrench
- Ratcheting T-wrench works with GEARWRENCH Pass-Thru™ socket system



Cat. No.	Size	Lock / Spring	Product Weight
3881	Medium #4 - 1/2 in 3mm - 12mm	No	1.00 lb
82800	Large 9/16 in - 3/4 in 14mm - 18mm	No	1.55 lb

### Tap Adapters

- Designed for use with the GearRatchet™ Pass-Thru™ ratchet system
- Can be used manually with included 5" handle
- Bright, full polish chrome finish easily wipes clean and resists corrosion



Cat. No.	Size	Lock / Spring	Product Weight
3882	Small .11 in - .191 in	Yes	0.50 lb
3883	Medium .219 in - .28 in	Yes	0.50 lb

### Large Locking Tap Adapter

- Designed for use with the GearRatchet™ Pass-Thru™ ratchet system
- Auto locking feature allows for safe removal of tap adapter
- Spring loaded cap allows for quick-release of large tap adapter
- Accommodates tap sizes from 9/16" - 3/4" and 14mm - 18mm
- Bright, full polish chrome finish easily wipes clean and resists corrosion



Cat. No.	Size	Lock / Spring	Product Weight
82801	Large 9/16 in - 3/4 in 14mm - 18mm	Yes	1.17 lb

### Hex Die Adapter

- Designed for use with the GearRatchet™ Pass-Thru™ ratchet system
- Works on round and hex shaped dies
- Bright, full polish chrome finish easily wipes clean and resists corrosion
- Tighten screw to securely hold die in place
- Black knurled wheel centers die in adapter



Cat. No.	Size	Lock / Spring	Product Weight
3884D	Medium	No	0.50 lb
82802D	Large	No	0.61 lb

### 2 Pc. 3/8" Drive Extension Adapter Set

- Improve access of GEARWRENCH tap and die system by combining both adapters and any standard 3/8" drive extension
- Use 82803D to convert GEARWRENCH Pass-Thru™ ratchets to be used with standard 3/8" drive tools and sockets
- 82803D features top mounted quick release button for ease of use
- 82804 fits both the 3882 and 3883 tap adapters
- Bright, full polish chrome finish easily wipes clean and resists corrosion



Cat. No.	Included Storage	Product Weight
82805D	None	0.16 lb

Cat. No.	Description
82803D	3/8" Drive Male Extension Adapter
82804	3/8" Drive Female Extension Adapter



### 3/8" Drive Extension Adapters

- Improve access of GEARWRENCH tap and die system by combining both adapters and any standard 3/8" drive extension
- Use 82803D to convert GEARWRENCH Pass-Thru™ ratchets to be used with standard 3/8" drive tools and sockets
- 82803D features top mounted quick release button for ease of use
- 82804 fits both the 3882 and 3883 tap adapters
- Bright, full polish chrome finish easily wipes clean and resists corrosion



Cat. No.	Description	Lock / Spring	Product Weight
82803D	3/8" Drive Male Extension Adapter	Yes	0.11 lb
82804	3/8" Drive Female Extension Adapter	No	0.57 lb

### Open Stock Taps

- Most commonly used sizes of plug and taper taps
- Cuts or forms inside thread on a drilled hole
- Tapered cutting edges
- Taper taps give a less aggressive cut than plug taps in small diameters
- Clear laser etched size markings for easy identification
- Manufactured from carbon steel



Cat. No.	Description	Product Weight	Cat. No.	Description	Product Weight
388701N	4 x 40 NC Taper Tap	0.020 lb	388717N	3mm x 0.50 NC Taper Tap	0.015 lb
388702N	6 x 32 NC Taper Tap	0.010 lb	388718N	3mm x 0.60 NC Taper Tap	0.006 lb
388703N	8 x 32 NC Taper Tap	0.020 lb	388719N	4mm x 0.70 NC Taper Tap	0.020 lb
388704N	10 x 24 NC Taper Tap	0.030 lb	388720N	4mm x 0.75 NC Taper Tap	0.020 lb
388705N	10 x 32 NF Taper Tap	0.030 lb	388721N	5mm x 0.80 NC Taper Tap	0.024 lb
388706N	12 x 24 NC Taper Tap	0.030 lb	388722N	5mm x 0.90 NC Taper Tap	0.030 lb
388707N	1/4 x 20 NC Taper Tap	0.028 lb	388723N	6mm x 1.00 NC Taper Tap	0.135 lb
388708N	1/4 x 28 NF Taper Tap	0.035 lb	388724N	7mm x 1.00 NC Taper Tap	0.035 lb
388709N	5/16 x 18 NC Taper Tap	0.055 lb	388725N	8mm x 1.25 NC Plug Tap	0.037 lb
388710N	5/16 x 24 NF Taper Tap	0.040 lb	388726N	9mm x 1.00 NF Plug Tap	0.155 lb
388711N	3/8 x 16 NC Plug Tap	0.060 lb	388727N	9mm x 1.25 NC Plug Tap	0.050 lb
388712N	3/8 x 24 NF Plug Tap	0.060 lb	388728N	10mm x 1.25 NF Plug Tap	0.055 lb
388713N	7/16 x 14 NC Plug Tap	0.075 lb	388729N	10mm x 1.50 NC Plug Tap	0.060 lb
388714N	7/16 x 20 NF Plug Tap	0.085 lb	388730N	11mm x 1.50 NC Plug Tap	0.060 lb
388715N	1/2 x 13 NC Plug Tap	0.750 lb	388731N	12mm x 1.50 NF Plug Tap	0.090 lb
388716N	1/2 x 20 NF Plug Tap	0.065 lb	388732N	12mm x 1.75 NC Plug Tap	0.070 lb
82856N	9/16 x 12 NC Plug Tap	0.115 lb	82850N	14mm x 1.25 NF Plug Tap	0.120 lb
82857N	9/16 x 18 NF Plug Tap	0.155 lb	82851N	14mm x 2.00 NC Plug Tap	0.141 lb

Cat. No.	Description	Product Weight	Cat. No.	Description	Product Weight
82858N	5/8 x 11 NC Plug Tap	0.160 lb	82852N	16mm x 1.50mm NF Plug Tap	0.178 lb
82859N	5/8 x 18 NF Plug Tap	0.195 lb	82853N	16mm x 2.00 NC Plug Tap	0.195 lb
82860N	3/4 x 10 NC Plug Tap	0.291 lb	82854N	18mm x 1.50 NF Plug Tap	0.277 lb
82861N	3/4 x 16 NF Plug Tap	0.290 lb	82855N	18mm x 2.50 NC Plug Tap	0.110 lb
388734N	1/8 - 27 NPT Tap	0.155 lb	388733N	1/8 - 28 BSP Tap	0.055 lb
82862N	1/4 - 18 NPT Tap	0.100 lb	388769N	1/4 - 19 BSP Tap	0.100 lb

### Open Stock Dies

- Most commonly used sizes of hex dies
- Cuts external thread on round materials such as rods or bolts
- Solid hex dies are made for cleaning up damaged threads
- Clear laser etched size markings for easy identification
- Manufactured from carbon steel



Cat. No.	Description	Product Weight	Cat. No.	Description	Product Weight
388735N	4 x 40 NC Hex Die	0.065 lb	388751N	3mm x 0.50 NC Hex Die	0.066 lb
388736N	6 x 32 NC Hex Die	0.040 lb	388752N	3mm x 0.60 NC Hex Die	0.070 lb
388737N	8 x 32 NC Hex Die	0.165 lb	388753N	4mm x 0.70 NC Hex Die	0.065 lb
388738N	10 x 24 NC Hex Die	0.180 lb	388754N	4mm x 0.75 NC Hex Die	0.070 lb
388739N	10 x 32 NF Hex Die	0.180 lb	388755N	5mm x 0.80 NC Hex Die	0.075 lb
388740N	12 x 24 NC Hex Die	0.075 lb	388756N	5mm x 0.90 NC Hex Die	0.080 lb
388741N	1/4 x 20 NC Hex Die	0.175 lb	388757N	6mm x 1.00 NC Hex Die	0.035 lb
388742N	1/4 x 28 NF Hex Die	0.075 lb	388758N	7mm x 1.00 NC Hex Die	0.070 lb
388743N	5/16 x 18 NC Hex Die	0.020 lb	388759N	8mm x 1.25 NC Hex Die	0.070 lb
388744N	5/16 x 24 NF Hex Die	0.065 lb	388760N	9mm x 1.00 NF Hex Die	0.065 lb
388745N	3/8 x 16 NC Hex Die	0.060 lb	388761N	9mm x 1.25 NC Hex Die	0.060 lb
388746N	3/8 x 24 NF Hex Die	0.065 lb	388762N	10mm x 1.25 NF Hex Die	0.061 lb
388747N	7/16 x 14 NC Hex Die	0.080 lb	388763N	10mm x 1.50 NC Hex Die	0.061 lb
388748N	7/16 x 20 NF Hex Die	0.065 lb	388764N	11mm x 1.50 NC Hex Die	0.059 lb
388749N	1/2 x 13 NC Hex Die	0.060 lb	388765N	12mm x 1.50 NF Hex Die	0.059 lb
388750N	1/2 x 20 NF Hex Die	0.060 lb	388766N	12mm x 1.75 NC Hex Die	0.060 lb
82863N	9/16 x 12 NC Hex Die	0.160 lb	82870N	14mm x 1.25 NF Hex Die	0.165 lb
82864N	9/16 x 18 NF Hex Die	0.170 lb	82871N	14mm x 2.00 NC Hex Die	0.170 lb
82865N	5/8 x 11 NC Hex Die	0.145 lb	82872N	16mm x 1.50 NF Hex Die	0.160 lb
82866N	5/8 x 18 NF Hex Die	0.160 lb	82873N	16mm x 2.00 NC Hex Die	0.165 lb
82867N	3/4 x 10 NC Hex Die	0.150 lb	82874N	18mm x 1.50 NF Hex Die	0.160 lb
82868N	3/4 x 16 NF Hex Die	0.145 lb	82875N	18mm x 2.50 NC Hex Die	0.055 lb
388767N	1/8 - 27 NPT Hex Die	0.025 lb	388768N	1/8 - 28 BSP Hex Die	0.065 lb
82869N	1/4 - 18 NPT Hex Die	0.190 lb	82876N	1/4 - 19 BSP Hex Die	0.160 lb

### 4 Pc. Standard Bastard File Set

- Ergonomic, dual material comfort grip handle
- Laser etched part number on the file for quick identification
- Tool grade steel provides outstanding cutting ability
- Great for deburring, rounding, and removing tough edges
- Includes 8 In. flat, round, half round, and triangle file
- 7" working blade length
- Includes tray for storage and organization



Cat. No.	Included Storage	Product Weight
82820	Tray	2.22 lb

Cat. No.	Description	Cat. No.	Description
82822D	8" Flat Bastard File	82824	8" Half Round Bastard File
82823	8" Round Bastard File	82825	8" Triangle Bastard File

### Flat Bastard File

- Ergonomic, dual material comfort grip handle
- Laser etched part number on the file for quick identification
- Ideal for machinists and builders, machinery, ship, or engine
- Can be used effectively by repairmen and others who require rapid removal of metal
- Used for removing flash and other particles
- Double cut on both sides for quicker material removal
- Single cut on edges to produce a smooth finish
- 7" working blade length



Cat. No.	Blade Length	Handled	File Cut	Shape	Overall Length	Product Weight
82822D	8 in	Ergonomic	Bastard	Flat	12.75 in	0.46 lb

### Round Bastard File

- Ergonomic, dual material comfort grip handle
- Laser etched part number on the file for quick identification
- Can be used to file circular openings or concave surfaces
- Provides spiral-cut shape for smoother finish
- Also ideal for enlarging curved or round openings
- Single cut to produce a smooth finish
- 7" working blade length



Cat. No.	Blade Length	Handled	File Cut	Shape	Overall Length	Product Weight
82823	8 in	Ergonomic	Bastard	Round	12.75 in	0.30 lb

### Half Round Bastard File

- Ergonomic, dual material comfort grip handle
- Laser etched part number on the file for quick identification
- Perfect for use on concave, convex, and flat surfaces
- File is rounded on 1 side and flat on the other
- Double cut on both sides for quicker material removal
- 7" working blade length



Cat. No.	Blade Length	Handled	File Cut	Shape	Overall Length	Product Weight
82824	8 in	Ergonomic	Bastard	Half Round	12.75 in	0.45 lb

### Triangle Bastard File

- Ergonomic, dual material comfort grip handle
- Laser etched part number on the file for quick identification
- Used for cutting and cleaning corners
- Triangular shape for accessing tight internal angles and squaring corners
- Double cut on all sides for quicker material removal
- 7" working blade length



Cat. No.	Blade Length	Handled	File Cut	Shape	Overall Length	Product Weight
82825	8 in	Ergonomic	Bastard	Triangle	12.75 in	0.45 lb

### 6 Pc. Mini Bastard File Set

- Ergonomic, dual material comfort grip handle
- Laser etched part number on the file for quick identification
- Intended for intricate filing and smoothing
- Set includes flat, half round, round, knife, square, and triangle files
- Includes pouch for storage and organization
- 7-3/8" overall length
- 3" working blade length



Cat. No.	Included Storage	Product Weight
82821	Pouch	0.79 lb

Cat. No.	Description	Cat. No.	Description
-	4" Mini Flat File	-	4" Mini Round File
-	4" Mini Half Round File	-	4" Mini Square File
-	4" Mini Knife File	-	4" Mini Triangle File

### External Thread Restorer Files

- Use to restore worn or damaged external threads on bolts and pipes
- Start filing by overlapping several good threads with file
- Files both right and left hand threads
- Quickly restores threads with durable, fast cutting teeth



Cat. No.	Edge Type	Pitch	Overall Length	Product Weight
2228D	Metric	0.8 1 1.25 1.5 1.75 2 2.5 3	8.5 in	0.35 lb
2229D	SAE	11 12 13 14 16 18 20 24	8.5 in	0.35 lb
2249D	SAE	9 10 12 16 20 27 28 32	8.5 in	0.36 lb

### 5 Pc. Straight Fluted Screw Extractor Set

- Removes broken studs, set screws, pipe, and grease fittings
- Drill hole in broken studs with left-hand bit, seat the extractor in hole, tap lightly with a hammer to seat, turn counterclockwise with a tap wrench to remove
- Features undercut flutes for a more positive grip



Cat. No.	Included Storage	Product Weight
720DD	None	0.30 lb

Cat. No.	Description	Cat. No.	Description
1109D	1/4" & 5/16" Screw Extractor	1112D	1/2" & 9/16" Screw Extractor
1110D	3/8" Screw Extractor	1113DD	5/8" Screw Extractor
1111D	7/16" Screw Extractor		

### Straight Fluted Screw Extractors

- Removes broken studs, set screws, pipe, and grease fittings
- Remove screws by seating the extractor, then turning to loosen
- Features undercut flutes for a more positive grip



Cat. No.	For Use on Screw Sizes	For Use on Pipe Sizes	Use Drill Size	Minimum Depth of Drilled Hole	Overall Length	Product Weight
1109D	.25 in .312 in	N/A	.125 in	3/8 in	2.25 in	0.05 lb
1110D	.375 in	N/A	.187 in	1/2 in	2.5 in	0.05 lb
1111D	.437 in	1/8 in	.234 in	1/2 in	2.75 in	0.10 lb
1112D	.5 in .562 in	1/4 in	.312 in	1/2 in	3 in	0.17 lb
1113DD	.625 in	3/8 in	.375 in	3/8 in	3.25 in	0.20 lb

### 4 Pc. Spiral Screw Extractor Set

- Used to remove broken, embedded or damaged screws and studs
- Drill a hole in the screw and place an extractor into the hole
- Tap lightly with a hammer then turn counterclockwise with a tap wrench to use
- Ideally used for extracting screws
- Spiral blades grip the screw tightly



Cat. No.	Included Storage	Product Weight
2419D	None	0.25 lb

Cat. No.	Description	Cat. No.	Description
-	#12 - 5/16" Spiral Screw Extractor	-	7/16" - 9/16" Spiral Screw Extractor
-	5/16" - 7/16" Spiral Screw Extractor	-	9/16" - 3/4" Spiral Screw Extractor

### Folding Pocket Knife

- Drop point style blade for general purpose cutting
- Titanium coated stainless steel blade for added strength
- Heavy-duty full metal frame for greater durability
- Spring-assisted opening mechanism offers one hand use
- Dual thumb studs let you open the knife easily with either hand
- Liner lock secures the blade in the open position
- Slim, ergonomic handle designed for maximum comfort
- Reversible belt clip for simplified transport



Cat. No.	Blade Length	Handle Length	Lock / Spring	Overall Length	Product Weight
82882	3.125 in	4.875 in	Yes	7.312 in	.23 lb

### Cable Cutter

- For cutting stranded style cables and battery cables
- Designed for use on either copper or aluminum cable
- Compound action requires less force to cut
- Dual material grips for ergonomic comfort
- Not intended for use on steel cable
- Includes carrying holster



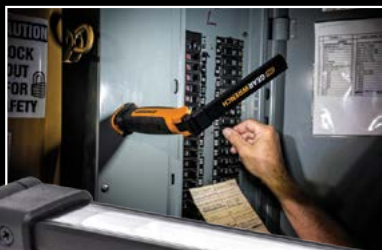
Cat. No.	Capacity	Maximum Capacity Copper	Overall Length	Product Weight
82009	.34375 in	1/0 AWG	9.75 in	1.03 lb



# Work Lights with GEARWRENCH® skills



30 Lumen Tip LED lights  
hard-to-reach places



Magnetic base  
for easy positioning



We made them ultra-thin so you can see into the tightest spots and gave them magnetic bases and 360° pivoting heads for pinpoint targeting. GEARWRENCH Constant Current battery technology maintains rated lumen output, so these lights never go dim.

Ask your mobile dealer or industrial distributor for a demo. You'll never lose light again.



RATCHETS, SOCKETS, AND DRIVE TOOLS

WRENCHES

IMPACT

TORQUE WRENCHES

SCREWDRIVERS & NUTDRIVERS

PLIERS

CUTTING AND FILING

**STRIKING AND STRUCK**

PRY BARS

LIGHTING

AUTOMOTIVE SPECIALTY

TOOL STORAGE

MASTER SETS





### 5 Pc. Hammer Set

- Starter set of hammers and mallets
- Includes one rubber mallet and one each of soft face, drilling, dead blow, and ball pein hammers
- Precision hardened striking face on the ball pein hammer resists damage and applies a solid hit
- Dead blow design sustains and maximizes impact force while absorbing the shock of impact
- Durable drilling hammer for heavy-duty use with punches, chisels, and star drills
- Non-sparking, non-marring rubber mallet head won't harm your target surface
- Comes with a durable storage tray to keep your work area organized
- Fiberglass handle absorbs the force of each strike
- Ergonomically molded comfort grip handle



Cat. No.	Included Storage	Product Weight
82303D	Tray	11.53 lb

Cat. No.	Description	Cat. No.	Description
-	16 oz Dead Blow Hammer with Composite Handle	82255	3 lb. Drilling Hammer with Fiberglass Handle
82260	12 oz. Soft Face Hammer with Black Comfort Grip Handle	82251	16 oz. Ball Pein Hammer with Fiberglass Handle
82259	16 oz. Rubber Mallet with Hickory Handle		

### Ball Pein Hammers with Comfort Grip Fiberglass Handles

- Drop-forged head made from durable alloy steel resists damage from heavy-duty use
- Black finish with fully polished face, cheeks, and pein
- Precision hardened striking face resists damage and applies a solid hit
- Fiberglass handle absorbs the force of each strike
- Ergonomically molded comfort grip handle
- Meets ASME B107.400



Cat. No.	Head Weight (Ounces)	Head Length	Face Diameter	Face Finish	Handle Length	Overall Length	Product Weight
82250	8 oz	3.3 in	.906 in	Polished	9.5 in	12 in	0.80 lb
82251	16 oz	3.9 in	1.18 in	Polished	10.9 in	14 in	1.50 lb
82252	24 oz	4.6 in	1.38 in	Polished	13 in	16 in	2.19 lb
82253	32 oz	4.9 in	1.53 in	Polished	13 in	16 in	2.62 lb

### Ball Pein Hammers with Tether Ready Fiberglass Handles

- MaxxLock head-to-handle locking system uses epoxy and wedges for ultimate pull off resistance
- Steel reinforced copper tether point is perfect for working at any height
- Drop-forged head made from durable alloy steel resists damage from heavy-duty use
- Bold, black finish with fully polished face, cheeks, and pein
- Handle built with a fiberglass core and polypropylene wrap to provide strength and durability
- Slip-resistant reverse tier grip stays in your hand and lets you swing freely
- Assembled in the USA with global materials



Cat. No.	Head Weight (Ounces)	Head Length	Face Diameter	Face Finish	Handle Length	Overall Length	Product Weight
69-713G	24 oz	4.4 in	1.35 in	Polished	11 in	14 in	2 lb
69-715G	32 oz	5 in	1.45 in	Polished	11 in	14 in	2.5 lb

### Curved Claw Hammer with Comfort Grip Fiberglass Handle

- Standard claw hammer for driving and pulling nails
- Ideally suited for all types of general construction
- Not intended for use with punches or chisels
- Precision hardened striking face resists damage
- Fiberglass handle absorbs each blow to reduce vibration
- Ergonomically molded comfort grip handle



Cat. No.	Head Weight (Ounces)	Head Length	Face Diameter	Face Finish	Handle Length	Overall Length	Product Weight
82254	16 oz	5.1 in	1.1 in	Polished	10.8 in	13 in	1.545 lb

### Drilling Hammer with Comfort Grip Fiberglass Handle

- Durable hammer for heavy-duty use with punches, chisels, and star drills
- Precision hardened striking face resists damage on demanding jobs
- Fiberglass handle absorbs each blow to reduce vibrations
- Molded, ergonomically designed comfort grip handle



Cat. No.	Head Weight (Pounds)	Head Length	Face Diameter	Face Finish	Handle Length	Overall Length	Product Weight
82255	3 lb	4.1 in	1.38 in	Polished	8.7 in	11 in	3.535 lb

### Dead Blow Hammers with Comfort Grip Handles

- Canister filled with steel shot in the hammer's head creates a dead blow effect to reduce rebound
- Dead blow design also sustains impact, maximizes force, and absorbs the shock of impact
- Polyurethane head is resistant to cuts, splits, abrasions, and extremely cold temperatures
- Steel handle welded to the head assembly for improved strength and durability
- Resistant to gas, brake fluid, anti-freeze and more, with a polyurethane head and rubber handle
- Rubber handle has a knurled texture and flared back end for improved non-slip grip



Cat. No.	Head Weight (Pounds)	Head Length	Face Diameter	Face Finish	Handle Length	Overall Length	Product Weight
82240	1 lb	3.9 in	1.5 in	Polyurethane	6.3in	11 in	1.12 lb
82241	1.25 lb	3.9 in	1.8 in	Polyurethane	6.3in	12 in	1.50 lb
82242	1.75 lb	4.3 in	1.9 in	Polyurethane	6.7in	14 in	2.06 lb
82243	2.75 lb	5.1 in	2.3 in	Polyurethane	6.7in	15 in	3.06 lb
82244	3 lb	5.4 in	2.5 in	Polyurethane	6.7in	15 in	3.37 lb

### Dead Blow Ball Pein Hammers

- Canister filled with steel shot in the hammer's head creates a dead blow effect to reduce rebound
- Dead blow design also sustains impact, maximizes force, and absorbs the shock of impact
- Non-sparking, hot-cast polyurethane body covers the steel shot chamber and the steel reinforced handle
- Steel face and pein excel at striking punches and chisels or shaping and straightening unhardened metals
- Steel reinforced handle is strong and safe, built to resist breaking from an overstrike
- Knurled texture on the handle with a flanged back end combine for a sure non-slip grip
- Red polyurethane body is highly visible and durable enough for heavy-duty work
- Made in the USA



Cat. No.	Head Weight (Ounces)	Head Length	Face Diameter	Face Finish	Handle Length	Overall Length	Product Weight
68-516G	14.4 oz	4.188 in	1.25 in	Polished	8.5 in	12.75 in	1.63 lb
68-524G	22.4 oz	4.5 in	1.5 in	Polished	8.5 in	13 in	2.25 lb
68-532G	31.2 oz	4.812 in	1.75 in	Polished	8.812 in	13.62 in	2.94 lb
68-540G	31.2 oz	4.812 in	1.75 in	Polished	11.375 in	16.5 in	3.10 lb

### Dead Blow Hammers

- Canister filled with steel shot in the hammer's head creates a dead blow effect to reduce rebound
- Dead blow design also sustains impact, maximizes force, and absorbs the shock of impact
- Non-sparking, hot-cast polyurethane body covers the steel shot chamber and the steel reinforced handle
- Polyurethane face doesn't mar surfaces or absorb liquids, resists chipping and splitting, and reduces striking noise
- Steel reinforced handle is strong and safe, built to resist breaking from an overstrike
- Knurled texture on the handle with a flanged back end combine for a sure non-slip grip
- Red polyurethane body is highly visible and durable enough for heavy-duty work
- Meets or exceeds US federal spec. GGG-H-33A
- Made in the USA



Cat. No.	Head Weight (Ounces)	Head Length	Face Diameter	Face Finish	Handle Length	Overall Length	Product Weight
69-530G	7.2 oz	3.125 in	1.25 in	Polyurethane	7 in	10.12 in	0.8 lb
69-531G	11.2 oz	3.75 in	1.75 in	Polyurethane	7.5 in	11.25 in	1.3 lb
69-532G	16 oz	4.125 in	2 in	Polyurethane	8.62 in	12.75 in	1.6 lb
69-533G	29.6 oz	4.625 in	2.25 in	Polyurethane	9.75 in	14.37 in	2.8 lb
69-534G	38.4 oz	5.375 in	2.75 in	Polyurethane	9.875 in	15.25 in	3.3 lb

### Slimline Dead Blow Hammers

- Canister filled with steel shot in the hammer's head creates a dead blow effect to reduce rebound
- Dead blow design also sustains impact, maximizes force, and absorbs the shock of impact
- Non-sparking, hot-cast polyurethane body covers the steel shot chamber and the steel reinforced handle; no exposed metal
- Slim-profile polyurethane face doesn't mar surfaces or absorb liquids, resists chipping and splitting, and reduces striking noise
- Steel reinforced handle is strong and safe, built to resist breaking from an overstrike
- Knurled texture on the handle with a flanged back end combine for a sure non-slip grip
- Red polyurethane body is highly visible and durable enough for heavy-duty work
- Meets or exceeds US federal spec. GGG-H-33A
- Made in the USA



Cat. No.	Head Weight (Ounces)	Head Length	Face Diameter	Face Finish	Handle Length	Overall Length	Product Weight
69-540G	3.2 oz	2.875 in	0.875 in	Polyurethane	6.5 in	9.5 in	0.5 lb
69-541G	9.6 oz	4.187 in	1.25 in	Polyurethane	6.437 in	10.65 in	1.1 lb
69-542G	12 oz	4.25 in	1.5 in	Polyurethane	7.875 in	12.12 in	1.4 lb
69-543G	15.2 oz	5.187 in	1.75 in	Polyurethane	7 in	12.75 in	1.6 lb

### Sledge Head Dead Blow Hammers

- Canister filled with steel shot in the hammer's head creates a dead blow effect to reduce rebound
- Dead blow design also sustains impact, maximizes force, and absorbs the shock of impact
- Non-sparking, hot-cast polyurethane body covers the steel shot chamber and the steel reinforced handle; no exposed metal
- Slim-profile polyurethane face doesn't mar surfaces or absorb liquids, resists chipping and splitting, and reduces striking noise
- Steel reinforced handle is strong and safe, built to resist breaking from an overstrike
- Knurled texture on the handle with a flanged back end combine for a sure non-slip grip
- Red polyurethane body is highly visible and durable enough for heavy-duty work
- Meets or exceeds US federal spec. GGG-H-33A
- Made in the USA



Cat. No.	Head Weight (Pounds)	Head Length	Face Diameter	Face Finish	Handle Length	Overall Length	Product Weight
69-550G	3.65 lb	7 in	2.75 in	Polyurethane	13 in	20 in	5.5 lb
69-551G	3.65 lb	7 in	2.75 in	Polyurethane	23 in	30 in	9.0 lb
69-552G	6.65 lb	8 in	3.25 in	Polyurethane	22 in	30 in	10.5 lb
69-554G	6.65 lb	8 in	3.25 in	Polyurethane	28 in	36 in	12.0 lb

### Powerdrive Dead Blow Hammers with Comfort Grip Fiberglass Handles

- Canister filled with steel shot in the hammer's head creates a dead blow effect to reduce rebound
- Dead blow design sustains and maximizes the impact force while it absorbs the shock of the strike
- Non-sparking thermoplastic head material covers the steel shot chamber and doesn't mar surfaces
- Balanced fiberglass handle is permanently bonded to the head
- Ergonomically shaped handle has a black comfort grip
- Meets or exceeds US federal spec. GGG-H-33A
- Made in the USA



Cat. No.	Head Weight (Ounces)	Head Length	Face Diameter	Face Finish	Handle Length	Overall Length	Product Weight
69-501G	16 oz	4 in	1.875 in	Polyurethane	10 in	12.25 in	1.67 lb
69-503G	32 oz	5 in	2.125 in	Polyurethane	12 in	14 in	2.5 lb
69-505G	48 oz	4.75 in	2.375 in	Polyurethane	11.5 in	14.25 in	3.5 lb
69-507G	64 oz	5 in	2.625 in	Polyurethane	12.25 in	15.5 in	4.5 lb

### Sledge Hammers with Tether Ready Fiberglass Handles

- MaxxLock head-to-handle locking system uses epoxy and wedges for ultimate pull-off resistance
- Tether ring made of steel-reinforced copper for working at any height
- Drop-forged head built from alloy steel and finished in black with a polished face and bevels
- Handle has a fiberglass core with a polypropylene wrap to provide strength and durability
- Slip-resistant reverse tier handle provides a superior grip
- Assembled in the USA from global materials



Cat. No.	Head Weight (Pounds)	Head Length	Face Diameter	Face Finish	Handle Length	Overall Length	Product Weight
69-700G	3 lb	4.25 in	1.625 in	Polished	11 in	14 in	3.635 lb
69-701G	4 lb	4.75 in	1.75 in	Polished	11 in	14 in	4.250 lb
69-703G	6 lb	5.75 in	1.812 in	Polished	21 in	24.5 in	8.145 lb
69-705G	8 lb	6.375 in	2 in	Polished	20 in	24.75 in	9.0 lb
69-707G	8 lb	6.375 in	2 in	Polished	28 in	32 in	9.0 lb
69-709G	10 lb	6.75 in	2.125 in	Polished	28 in	32 in	11.0 lb
69-711G	11 lb	7.625 in	2.25 in	Polished	28 in	32.25 in	12.0 lb

### Brass Head Sledge Hammers with Tether Ready Fiberglass Handles

- MaxxLock head-to-handle locking system uses epoxy and wedges for ultimate pull-off resistance
- Tether ring made of steel-reinforced copper for working at any height
- Non-sparking brass head with two polished striking faces
- Handle has a fiberglass core with a polypropylene wrap to provide strength and durability
- Slip-resistant reverse tier handle provides a superior grip
- Assembled in the USA from global materials



Cat. No.	Head Weight (Pounds)	Head Length	Face Diameter	Face Finish	Handle Length	Overall Length	Product Weight
69-717G	2.5 lb	3.5 in	1.312 in	Polished	11 in	14 in	2.940 lb
69-719G	4 lb	3.625 in	1.625 in	Polished	11 in	14 in	4.375 lb

### Rubber Mallet with Comfort Grip Fiberglass Handle

- Solid, non-sparking, non-marring rubber head
- Balanced fiberglass handle is permanently bonded to the head
- Ergonomically shaped, black comfort grip handle
- Meets or exceeds US federal spec. GGG-H-33A
- Made in the USA



Cat. No.	Head Weight (Pounds)	Head Length	Face Diameter	Face Finish	Handle Length	Overall Length	Product Weight
69-490G	2 lb	4 in	2.45 in	Rubber	12 in	16 in	2.25 lb

### Rubber Mallet with Hickory Handle

- Solid, hickory handle is lightweight, but durably strong
- Non-sparking, non-marring rubber head won't harm your target surface
- General use hammer for a variety of professional and DIY applications
- Used in construction, metal working, MRO, and other trades professions



Cat. No.	Head Weight (Pounds)	Head Length	Face Diameter	Face Finish	Handle Length	Overall Length	Product Weight
82259	1 lb	3.8 in	2.13 in	Rubber	10.2 in	11 in	1.22 lb

### Soft Face Hammer with Comfort Grip Alloy Steel Handle

- Ergonomically shaped handle has a black comfort grip
- Comes with soft (cream) and medium hard (yellow) tips
- Alloy steel handle for strength and durability
- Interchangeable tips have a rounded shape to resist chipping or splitting
- Available replacement tips 82260S (Soft) 82260H (Medium Hard)
- Ideal for light-duty assembly applications where you don't want to mar the surface



Cat. No.	Head Weight (Ounces)	Head Length	Face Diameter	Thread Size	Handle Length	Overall Length	Product Weight
82260	12 oz	4 in	1.18 in	5/16-18	11 in	15 in	1.11 lb

### Soft Face Hammer Tips 1-1/4 in Diameter

- Replacement tips for soft face hammer 82260
- Color coded for easy identification soft (cream) medium hard (yellow)
- Tips thread directly into the hammer head
- Rounded shape to resist chipping or splitting
- Non-marring surface helps reduce noise when striking metal objects
- Ideal for light-duty assembly applications where you don't want to mar the surface



Cat. No.	Head Weight (Ounces)	Head Length	Face Diameter	Thread Size	Hardness	Color	Hardness Conversion	Product Weight
82260H	1 oz	1.5 in	1.25 in	5/16-18	Med. Hard	Cream	Rawhide Hardwood Lead	0.08 lb
82260S	1 oz	1.5 in	1.25 in	5/16-18	Soft	Yellow	Soft Rubber Soft Lead Wood	0.08 lb

### Soft Face Hammers with Comfort Grip Fiberglass Handles

- Ergonomically shaped handle has a black comfort grip
- Ideal for light-duty assembly applications where you don't want to mar the surface
- Replaceable tips available in a range of hardness ratings
- Fiberglass handle absorbs the force of each strike for comfortable use
- Interchangeable tips have a rounded shape to resist chipping or splitting
- Made in the USA



Cat. No.	Head Weight (Ounces)	Head Length	Face Diameter	Thread Size	Handle Length	Overall Length	Product Weight
69-003G	8 oz	2 in	1 in	1/4-20	10 in	11.25 in	0.765 lb
69-009G	12 oz	2.375 in	1.5 in	5/16-18	11 in	12.5 in	0.935 lb
69-013G	16 oz	2.375 in	1.5 in	5/16-18	11 in	12.5 in	1.010 lb
69-017G	20 oz	2.625 in	2 in	3/8-16	11.75 in	13.75 in	1.360 lb
69-019G	32 oz	2.625 in	2 in	3/8-16	11.75 in	13.75 in	2.055 lb
69-033G	96 oz	3.75 in	3 in	1/2-13	12 in	15 in	5.315 lb



**Soft Face Hammer Tips**

- Soft-face tips are color coded to indicate their degree of hardness
- Tips thread directly into the hammer head
- Tips don't mar surfaces or absorb liquids
- Resists chipping and splitting from a durable yet soft construction
- Ideal for reducing the noise produced by striking metal objects
- Meets or exceeds US federal spec. GGG-H-33A
- Made in the USA



Cat. No.	Head Weight (Ounces)	Head Length	Face Diameter	Thread Size	Hardness	Color	Hardness Conversion	Product Weight
69-143G	.75 oz	1.25 in	1 in	1/4-20	Medium	Red	Wood, Rubber, Rawhide, Brass	0.047 lb
69-145G	.75 oz	1.25 in	1 in	1/4-20	Tough	Green	Rawhide, Hardwood, Plastic, Lead	0.047 lb
69-146G	.75 oz	1.25 in	1 in	1/4-20	Med. Hard	Cream	Rawhide, Hardwood, Lead	0.047 lb
69-148G	.75 oz	1.25 in	1 in	1/4-20	Hard	Black	Rawhide, Plastic, Micarta, Fiber	0.047 lb
69-149G	.75 oz	1.25 in	1 in	1/4-20	Extra Hard	Yellow	Rawhide, Micarta, Fiber, Copper	0.047 lb
69-153G	2 oz	1.4 in	1.5 in	5/16-18	Medium	Red	Wood, Rubber, Rawhide, Brass	0.090 lb
69-155G	2 oz	1.4 in	1.5 in	5/16-18	Tough	Green	Rawhide, Hardwood, Plastic, Lead	0.100 lb
69-156G	2 oz	1.4 in	1.5 in	5/16-18	Med. Hard	Cream	Rawhide, Hardwood, Lead	0.200 lb
69-158G	2 oz	1.4 in	1.5 in	5/16-18	Hard	Black	Rawhide, Plastic, Micarta, Fiber	0.090 lb
69-159G	2 oz	1.4 in	1.5 in	5/16-18	Extra Hard	Yellow	Rawhide, Micarta, Fiber, Copper	0.095 lb
69-163G	3 oz	1.812 in	2 in	3/8-16	Medium	Red	Wood, Rubber, Rawhide, Brass	0.210 lb
69-165G	3 oz	1.812 in	2 in	3/8-16	Tough	Green	Rawhide, Hardwood, Plastic, Lead	0.215 lb
69-166G	3 oz	1.812 in	2 in	3/8-16	Med. Hard	Cream	Rawhide, Hardwood, Lead	0.300 lb
69-168G	3 oz	1.812 in	2 in	3/8-16	Hard	Black	Rawhide, Plastic, Micarta, Fiber	0.205 lb
69-169G	3 oz	1.812 in	2 in	3/8-16	Extra Hard	Yellow	Rawhide, Micarta, Fiber, Copper	0.210 lb
69-182G	4 oz	2.625 in	3 in	1/2-13	Soft	Brown	Soft Rubber, Soft Lead, Wood	0.750 lb
69-183G	4 oz	2.625 in	3 in	1/2-13	Medium	Red	Wood, Rubber, Rawhide, Brass	0.750 lb
69-185G	4 oz	2.625 in	3 in	1/2-13	Tough	Green	Rawhide, Hardwood, Plastic, Lead	0.620 lb
69-188G	4 oz	2.625 in	3 in	1/2-13	Hard	Black	Rawhide, Plastic, Micarta, Fiber	0.560 lb
69-189G	4 oz	2.625 in	3 in	1/2-13	Extra Hard	Yellow	Rawhide, Micarta, Fiber, Copper	0.595 lb

**Brass Hammers with Comfort Grip Fiberglass Handles**

- Soft, brass head is non-sparking and designed to prevent damage to the work surface
- Ideal for working near combustible materials, or driving bushings and gears
- Striking face is machined flat for the most even blow distribution
- Fiberglass handle provides balance and is permanently bonded to the head
- Ergonomically shaped handle has a black comfort grip
- Meets or exceeds US federal spec. GGG-H-33A
- Made in the USA



Cat. No.	Head Weight (Ounces)	Head Length	Face Diameter	Face Finish	Handle Length	Overall Length	Product Weight
69-513G	24 oz	3.375 in	1.063 in	Polished	10 in	12 in	2.100 lb
69-515G	40 oz	3.5 in	1.5 in	Polished	10 in	12 in	3.035 lb
69-517G	64 oz	2.25 in	1.875 in	Polished	9.75 in	12 in	3.840 lb

**Brass Hammers with Hickory Handles**

- Soft, brass head is non-sparking and designed to prevent damage to the work surface
- Ideal for working near combustible materials, or driving bushings and gears
- Striking face is machined flat for the most even blow distribution
- Hickory handle is flame treated, clear lacquered, and securely wedged into the hammer head
- Made in the USA



Cat. No.	Head Weight (Ounces)	Head Length	Face Diameter	Face Finish	Handle Length	Overall Length	Product Weight
81-110G	8 oz	2.1 in	1 in	Polished	9.5 in	11 in	0.66 lb
81-111G	16 oz	2.6 in	1.25 in	Polished	9.5 in	11 in	1.17 lb
81-112G	32 oz	4 in	1.5 in	Polished	10 in	13 in	2.42 lb

### Copper Hammers with Hickory Handles

- Soft, copper head is non-sparking and designed to prevent damage to the work surface
- Ideal for working near combustible materials, or driving bushings and gears
- Striking face is machined flat for the most even blow distribution
- Hickory handle is flame treated, clear lacquered, and securely wedged into the hammer head
- Made in the USA



Cat. No.	Head Weight (Ounces)	Head Length	Face Diameter	Face Finish	Handle Length	Overall Length	Product Weight
69-480G	24 oz	3 in	1.25 in	Polished	10 in	13 in	2.055 lb
69-485G	32 oz	3.5 in	1.63 in	Polished	12 in	14 in	2 lb

### 27 Pc. Punch and Chisel Set

- Precision hardened chisels for cutting metal rivets, bolts, and nuts
- Pin punches for driving out pins and rivets during final removal
- Center punches for marking center lines or pilot drill locations
- Long taper punch lets you install or remove pins and shafts, and aligns holes with ease
- Starter punches for both starting and installing pins or rivets
- Includes tool roll for storage and organization



Cat. No.	Included Storage	Product Weight
82306	Tool Roll	9.29 lb

Cat. No.	Description	Cat. No.	Description
82261	1/4" x 4-3/4" Cold Chisel	82275	3/16" x 5-1/2" Pin Punch
82262	3/8" x 5" Cold Chisel	82276	1/4" x 7" Pin Punch
82263	7/16" x 5-1/2" Cold Chisel	82277	5/16" x 7" Pin Punch
82264	1/2" x 6" Cold Chisel	82278	1/8" x 8" Long Taper Punch
82265	5/8" x 6-1/2" Cold Chisel	82279	5/32" x 8-1/2" Long Taper Punch
82266	3/4" x 7" Cold Chisel	82280	3/16" x 9" Long Taper Punch
82267	7/8" x 7-1/2" Cold Chisel	82281	1/4" x 11" Long Taper Punch
82268	1" x 8" Cold Chisel	82282	5/32" x 5" Starter Punch
82269	15/16" x 4-1/4" Center Punch	82283	3/16" x 5" Starter Punch
82270	5/32" x 5" Center Punch	82284	1/4" x 6" Starter Punch
82271	1/4" x 5-1/2" Center Punch	82285	1/8" x 4-1/2" Starter Punch
82272	3/32" x 4-3/4" Pin Punch	82286	5/16" x 7" Starter Punch
82273	1/8" x 5" Pin Punch	82287	3/8" x 8" Starter Punch
82274	5/32" x 5-1/4" Pin Punch		

### 19 Pc. Punch and Chisel Set

- Manufactured from high alloy steel for incredible strength
- Heat treated for long lasting durability
- Cutting edges and tips ground to a precise angle for improved performance and a longer tool life
- Black oxide finish with a visible "Wear safety goggles" reminder
- Hex stock fits securely into a punch and chisel holder and doesn't roll on work surfaces
- Made in the USA
- Includes tool roll for storage and organization



Cat. No.	Included Storage	Product Weight
70-567G	Tool Roll	9.100 lb

Cat. No.	Description	Cat. No.	Description
70-000G	Punch and Chisel Holder	70-197G	1/4" x 11" Drift Punch
70-103G	3/32" x 4-3/4" Pin Punch	70-199G	5/16" x 11" Drift Punch
70-105G	1/8" x 5" Pin Punch	70-201G	3/8" x 15" Drift Punch
70-109G	3/16" x 5-1/4" Pin Punch	70-239G	5/16" x 6" Center Punch
70-131G	1/4" x 7" Pin Punch	70-309G	1/2" x 6" Cold Chisel
70-155G	3/32" x 4-1/2" Starting Punch	70-311G	5/8" x 6-1/2" Cold Chisel
70-157G	1/8" x 4-1/2" Starting Punch	70-313G	3/4" x 7" Cold Chisel
70-161G	3/16" x 5" Starting Punch	70-315G	7/8" x 7-1/2" Cold Chisel
70-165G	1/4" x 6" Starting Punch	70-317G	1" x 8" Cold Chisel
70-193G	3/16" x 9" Drift Punch		

### 12 Pc. Punch and Chisel Set

- Precision hardened chisels for cutting metal rivets, bolts, and nuts
- Pin punches for driving out pins and rivets during final removal
- Center punch for marking center lines or pilot drill locations
- Long taper punch lets you install or remove pins and shafts, and aligns holes with ease
- Starter punches for both starting and installing pins or rivets
- Meets or exceeds ASME B107.47
- Includes tool roll for storage and organization



Cat. No.	Included Storage	Product Weight
82305	Tool Roll	1.97 lb

Cat. No.	Description	Cat. No.	Description
82261	1/4" x 4-3/4" Cold Chisel	82273	1/8" x 5" Pin Punch
82262	3/8" x 5" Cold Chisel	82274	5/32" x 5-1/4" Pin Punch
82264	1/2" x 6" Cold Chisel	82275	3/16" x 5-1/2" Pin Punch
82265	5/8" x 6-1/2" Cold Chisel	82278	1/8" x 8" Long Taper Punch
82270	5/32" x 5" Center Punch	82283	3/16" x 5" Starter Punch
82272	3/32" x 4-3/4" Pin Punch	82285	1/8" x 4-1/2" Starter Punch

### 5 Pc. Punch and Chisel Set

- 1/2" wide chisel for cutting into metal rivets, bolts, and nuts
- Pin punches for final removal to drive out pins and rivets
- Center punch for marking center lines or pilot drill locations



Cat. No.	Included Storage	Product Weight
82304	None	0.61 lb

Cat. No.	Description	Cat. No.	Description
82264	1/2" x 6" Cold Chisel	82274	5/32" x 5-1/4" Pin Punch
82270	5/32" x 5" Center Punch	82275	3/16" x 5-1/2" Pin Punch
82273	1/8" x 5" Pin Punch		

### Punch and Chisel Holder

- Protects against hand injuries for increased workplace safety
- Holds punches and chisels up to 1-1/16" hex stock size
- V-shaped head grasps the punch or chisel securely on 3 sides, reducing the risk of injury
- Tri-oval shaped handle fits ergonomically in hand, increasing comfort and reducing fatigue
- Made in the USA



Cat. No.	Overall Length Min	Overall Length Max	Stock Size	Product Weight
70-000G	7.5 in	8.75 in	1.062 in	0.71 lb

### 19 Pc. Punch Set

- Manufactured from high alloy steel for incredible strength
- Heat treated for long lasting durability
- Cutting edges and tips ground to a precise angle for improved performance and a longer tool life
- Black oxide finish inscribed with a visible "Wear safety goggles" reminder
- Hex stock fits securely into a punch and chisel holder and doesn't roll on work surfaces
- Made in the USA
- Includes tool roll for storage and organization



Cat. No.	Included Storage	Product Weight
70-550G	Tool Roll	5.300 lb

Cat. No.	Description	Cat. No.	Description
70-000G	Punch and Chisel Holder	70-161G	3/16" x 5" Starting Punch
70-103G	3/32" x 4-3/4" Pin Punch	70-165G	1/4" x 6" Starting Punch
70-105G	1/8" x 5" Pin Punch	70-167G	5/16" x 6" Starting Punch
70-107G	5/32" x 5-1/4" Pin Punch	70-189G	1/8" x 8" Drift Punch
70-109G	3/16" x 5-1/4" Pin Punch	70-193G	3/16" x 9" Drift Punch
70-131G	1/4" x 7" Pin Punch	70-197G	1/4" x 11" Drift Punch
70-133G	5/16" x 7" Pin Punch	70-235G	5/32" x 5" Center Punch
70-155G	3/32" x 4-1/2" Starting Punch	70-239G	5/16" x 6" Center Punch
70-157G	1/8" x 4-1/2" Starting Punch	70-255G	7/64" x 5" Prick Punch
70-159G	5/32" x 5" Starting Punch		

### 5 Pc. Pin Punch Set

- Used to drive out pins and rivets during final removal
- Softened and tapered striking end reduces the potential to chip
- Ground surface finish for improved ease of identification
- Precision-hardened working ends
- Meets or exceeds ASME B107.47



Cat. No.	Included Storage	Product Weight
82309	None	0.78 lb

Cat. No.	Description	Cat. No.	Description
82273	1/8" x 5" Pin Punch	82276	1/4" x 7" Pin Punch
82274	5/32" x 5-1/4" Pin Punch	82277	5/16" x 7" Pin Punch
82275	3/16" x 5-1/2" Pin Punch		

**Pin Punches**

- Used to drive out pins and rivets during final removal
- Softened and tapered striking end reduces the potential to chip
- Ground surface for improved ease of identification
- Precision hardened working end
- Meets or exceeds ASME B107.47



Cat. No.	Point Diameter	Stock Size	Overall Length	Product Weight
82272	.093 in	.312 in	4.75 in	0.09 lb
82273	.125 in	.312 in	5 in	0.09 lb
82274	.156 in	.312 in	5.25 in	0.10 lb
82275	.187 in	.312 in	5.5 in	0.09 lb
82276	.25 in	.375 in	7 in	0.19 lb
82277	.312 in	.5 in	7 in	0.32 lb

**Pin Punches**

- Manufactured from high alloy steel for incredible strength
- Heat treated for long lasting durability
- Pin area has been precision ground to prevent binding
- Black oxide finish inscribed with a visible "Wear safety goggles" reminder
- Hex stock fits securely into a punch and chisel holder and reduces rolling on work surfaces
- Made in the USA



Cat. No.	Point Diameter	Stock Size	Overall Length	Product Weight
70-101G	.062 in	.25 in	4.25 in	0.080 lb
70-103G	.093 in	.312 in	4.75 in	0.100 lb
70-105G	.125 in	.312 in	5 in	0.150 lb
70-107G	.156 in	.312 in	5.25 in	0.095 lb
70-109G	.187 in	.375 in	5.25 in	0.140 lb
70-129G	.218 in	.375 in	7 in	0.175 lb
70-131G	.25 in	.375 in	7 in	0.190 lb
70-133G	.312 in	.437 in	7 in	0.330 lb

**10 Pc. Tool Steel Pin Punch Set**

- Manufactured from shock-resistant tool steel for unequalled strength, toughness, and durability without brittleness
- Full shank is heat treated, hardened, and tempered to extend the life of the tool
- Pin area is precision ground to prevent binding in the work area
- Modified parabolic head directs striking force to the center of the tool to resist mushrooming or chipping
- Black oxide finish inscribed with a visible "Wear safety goggles" reminder
- Hex stock fits securely into a punch and chisel holder and reduces rolling on work surfaces
- Made in the USA
- Includes tool roll for storage and organization



Cat. No.	Included Storage	Product Weight
70-552G	Tool Roll	2.005 lb

Cat. No.	Description	Cat. No.	Description
70-110G	1/16" x 4" Tool Steel Pin Punch	70-120G	7/32" x 5-1/2" Tool Steel Pin Punch
70-112G	3/32" x 4-1/2" Tool Steel Pin Punch	70-122G	1/4" x 5-3/4" Tool Steel Pin Punch
70-114G	1/8" x 4-3/4" Tool Steel Pin Punch	70-124G	9/32" x 5-3/4" Tool Steel Pin Punch
70-116G	5/32" x 5" Tool Steel Pin Punch	70-126G	5/16" x 6" Tool Steel Pin Punch
70-118G	3/16" x 5-1/4" Tool Steel Pin Punch	70-128G	3/8" x 6" Tool Steel Pin Punch

**7 Pc. Tool Steel Pin Punch Set**

- Manufactured from shock-resistant tool steel for unequalled strength, toughness, and durability without brittleness
- Full shank is heat treated, hardened, and tempered to extend the life of the tool
- Pin area is precision ground to prevent binding in the work area
- Modified parabolic head directs striking force to the center of the tool to resist mushrooming and chipping
- Black oxide finish inscribed with a visible "Wear safety goggles" reminder
- Hex stock fits securely into a punch and chisel holder and reduces rolling on work surfaces
- Made in the USA
- Includes tool roll for storage and organization



Cat. No.	Included Storage	Product Weight
70-553G	Tool Roll	1.035 lb

Cat. No.	Description	Cat. No.	Description
70-110G	1/16" x 4" Tool Steel Pin Punch	70-118G	3/16" x 5-1/4" Tool Steel Pin Punch
70-112G	3/32" x 4-1/2" Tool Steel Pin Punch	70-120G	7/32" x 5-1/2" Tool Steel Pin Punch
70-114G	1/8" x 4-3/4" Tool Steel Pin Punch	70-122G	1/4" x 5-3/4" Tool Steel Pin Punch
70-116G	5/32" x 5" Tool Steel Pin Punch		



### Tool Steel Pin Punch

- Manufactured from shock-resistant tool steel for unequalled strength, toughness, and durability without brittleness
- Full shank is heat treated, hardened, and tempered to extend the life of the tool
- Pin area is precision ground to prevent binding in the work area
- Modified parabolic head directs striking force to the center of the tool to resist mushrooming and chipping
- Black oxide finish inscribed with a visible "Wear safety goggles" reminder
- Hex stock fits securely into a punch and chisel holder and reduces rolling on work surfaces
- Meets or exceeds ASME B107.48M and US federal spec. GGG-P-831F
- Made in the USA



Cat. No.	Point Diameter	Stock Size	Overall Length	Product Weight
70-110G	.062 in	.25 in	4 in	0.050 lb
70-112G	.093 in	.312 in	4.5 in	0.085 lb
70-114G	.125 in	.312 in	4.75 in	0.100 lb
70-116G	.156 in	.312 in	5 in	0.080 lb
70-118G	.187 in	.375 in	5.25 in	0.200 lb
70-120G	.218 in	.375 in	5.5 in	0.150 lb
70-122G	.25 in	.375 in	5.75 in	0.170 lb
70-124G	.281 in	.375 in	5.75 in	0.225 lb
70-126G	.312 in	.437 in	6 in	0.240 lb
70-128G	.375 in	.5 in	6 in	0.305 lb

### 7 Pc. Roll Pin Punch Set

- Manufactured from high alloy steel for incredible strength
- Heat treated for long lasting durability
- Ball area in the center of the tip fits into the body of the punch
- Black oxide finish inscribed with a visible "Wear safety goggles" reminder
- Hex stock fits securely into a punch and chisel holder and reduces rolling on work surfaces
- Made in the USA
- Includes pouch for storage and organization



Cat. No.	Included Storage	Product Weight
70-557G	Tool Roll	0.690 lb

Cat. No.	Description	Cat. No.	Description
70-260G	1/16" x 2-3/4" Roll Pin Punch	70-268G	3/16" x 4-1/2" Roll Pin Punch
70-262G	3/32" x 3-1/2" Roll Pin Punch	70-270G	7/32" x 5" Roll Pin Punch
70-264G	1/8" x 4" Roll Pin Punch	70-272G	1/4" x 5-1/2" Roll Pin Punch
70-266G	5/32" x 4-1/2" Roll Pin Punch		

### Roll Pin Punches

- Manufactured from high alloy steel for incredible strength
- Heat-treated for long-lasting durability
- Ball area in the center of the tip fits into the body of the pin
- Black oxide finish inscribed with a visible "Wear safety goggles" reminder
- Hex-shaped stock fits securely into a punch and chisel holder and doesn't roll on work surfaces
- Made in the USA



Cat. No.	Point Diameter	Stock Size	Overall Length	Product Weight
70-260G	.062 in	.25 in	2.75 in	0.030 lb
70-262G	.093 in	.25 in	3.5 in	0.035 lb
70-264G	.125 in	.25 in	4 in	0.350 lb
70-266G	.156 in	.25 in	4.5 in	0.040 lb
70-268G	.187 in	.375 in	4.5 in	0.080 lb
70-270G	.218 in	.375 in	5 in	0.095 lb
70-272G	.25 in	.437 in	5.5 in	0.130 lb
70-274G	.312 in	.437 in	6 in	0.170 lb
70-276G	.375 in	.5 in	6 in	0.230 lb
70-280G	.5 in	.625 in	6 in	0.640 lb

### 5 Pc. Tool Steel Long Pin Punch Set

- Manufactured from shock-resistant tool steel for unequalled strength, toughness, and durability without brittleness
- Full shank is heat treated, hardened, tempered to extend the life of the tool
- Pin area is precision ground to prevent binding in the work area
- Modified parabolic head directs striking force to the center of the tool to resist mushrooming and chipping
- Black oxide finish inscribed with a visible "Wear safety goggles" reminder
- Hex stock fits securely into a punch and chisel holder and reduces rolling on work surfaces
- Made in the USA
- Includes tool roll for storage and organization



Cat. No.	Included Storage	Product Weight
70-556G	Tool Roll	1.180 lb

Cat. No.	Description	Cat. No.	Description
70-047G	5/16" x 8" Tool Steel Long Pin Punch	70-043G	3/16" x 8" Tool Steel Long Pin Punch
70-045G	1/4" x 8" Tool Steel Long Pin Punch	70-042G	5/32" x 8" Tool Steel Long Pin Punch
70-044G	7/32" x 8" Tool Steel Long Pin Punch		

### Tool Steel Long Pin Punch

- Manufactured from shock-resistant tool steel for unequalled strength, toughness, and durability without brittleness
- Full shank is heat treated, hardened, and tempered to extend the life of the tool
- Pin area is precision ground to prevent binding in the work area
- Modified parabolic head directs striking force to the center of the tool to resist mushrooming and chipping
- Black oxide finish inscribed with a visible "Wear safety goggles" reminder
- Hex stock fits securely into a punch and chisel holder and reduces rolling on work surfaces
- Meets or exceeds ASME B107.48m and US federal spec. GGG-P-831F
- Made in the USA



Cat. No.	Point Diameter	Stock Size	Overall Length	Product Weight
70-041G	.125 in	.312 in	8 in	0.250 lb
70-042G	.156 in	.312 in	8 in	0.150 lb
70-043G	.187 in	.375 in	8 in	0.250 lb
70-044G	.218 in	.375 in	8 in	0.180 lb
70-045G	.25 in	.375 in	8 in	0.190 lb
70-047G	.312 in	.437 in	8 in	0.300 lb
70-049G	.375 in	.5 in	8 in	0.360 lb

### 4 Pc. Long Taper Punch Set

- Used to install or remove pins and shafts, or to align holes
- Softened and tapered striking end reduces the potential to chip
- Ground surface finish for improved ease of identification
- Precision hardened working ends ideal for punching metal



Cat. No.	Included Storage	Product Weight
82307	None	1.72 lb

Cat. No.	Description	Cat. No.	Description
82278	1/8" x 8" Long Taper Punch	82280	3/16" x 9" Long Taper Punch
82279	5/32" x 8-1/2" Long Taper Punch	82281	1/4" x 11" Long Taper Punch

### Long Taper Punches

- Used to install or remove pins and shafts, or to align holes
- Softened and tapered striking end reduces the potential to chip
- Ground surface finish for greater ease of identification
- Precision hardened working end is ideal for punching metal
- Meets or exceeds ASME B107.47



Cat. No.	Point Diameter	Stock Size	Overall Length	Product Weight
82278	.125 in	.375 in	8 in	0.21 lb
82279	.156 in	.5 in	8.5 in	0.36 lb
82280	.187 in	.5 in	9 in	0.38 lb
82281	.25 in	.625 in	11 in	0.79 lb

### Center Punches

- Ideal for marking center lines and pilot drill locations
- Striking end is softened and tapered to reduce chipping
- Ground surface finish offers better ease of identification
- Precision hardened working end toughened to punch metal
- Meets or exceeds ASME B107.47



Cat. No.	Point Diameter	Stock Size	Overall Length	Product Weight
82269	.937 in	.25 in	4.25 in	0.06 lb
82270	.156 in	.375 in	5 in	0.13 lb
82271	.25 in	.437 in	5.5 in	0.20 lb

### Center Punches

- Manufactured from high alloy steel for incredible strength
- Heat treated for long lasting durability
- Pointed tip marks intersecting center lines, hole locations, or pilot drill starting points in metal
- Black oxide finish inscribed with a visible "Wear safety goggles" reminder
- Hex stock fits securely into a punch and chisel holder and reduces rolling on work surfaces
- Made in the USA



Cat. No.	Point Diameter	Stock Size	Overall Length	Product Weight
70-233G	.156 in	.312 in	4.375 in	0.08 lb
70-235G	.156 in	.375 in	5 in	0.14 lb
70-239G	.312 in	.5 in	6 in	0.40 lb
70-241G	.375 in	.625 in	6.25 in	0.50 lb

### Starter Punches

- Designed for both starting and installing either pins or rivets
- Softened and tapered striking end reduces chipping
- Ground surface finish makes identification easy
- Precision hardened working end for long-lasting durability
- Meets or exceeds ASME B107.47



Cat. No.	Point Diameter	Stock Size	Overall Length	Product Weight
82282	.156 in	.375 in	5 in	0.14 lb
82283	.187 in	.375 in	5 in	0.14 lb
82284	.25 in	.5 in	6 in	0.29 lb
82285	.125 in	.312 in	4.5 in	0.09 lb
82286	.312 in	.625 in	7 in	0.54 lb
82287	.375 in	.75 in	8 in	0.86 lb

### Starting Punches

- Manufactured from high alloy steel for incredible strength
- Heat treated for long lasting durability
- Flat tip with a precision ground taper used to install and remove pins or shafts
- Black oxide finish inscribed with a visible "Wear safety goggles" reminder
- Hex stock fits securely into a punch and chisel holder and reduces rolling on work surfaces
- Made in the USA



Cat. No.	Point Diameter	Stock Size	Overall Length	Product Weight
70-155G	.093 in	.312 in	4.5 in	0.080 lb
70-157G	.125 in	.312 in	4.5 in	0.135 lb
70-159G	.156 in	.375 in	5 in	0.125 lb
70-161G	.187 in	.375 in	5 in	0.150 lb
70-165G	.25 in	.5 in	6 in	0.330 lb
70-167G	.312 in	.5 in	6 in	0.535 lb

### Prick Punches

- Manufactured from high alloy steel for incredible strength
- Heat treated for long lasting durability
- Pointed tip is ideal for scribing, punching, and marking screw holes in sheet metal
- Black oxide finish inscribed with a visible "Wear safety goggles" reminder
- Hex stock fits securely into a punch and chisel holder and reduces rolling on work surfaces
- Made in the USA



Cat. No.	Point Diameter	Stock Size	Overall Length	Product Weight
70-255G	.109 in	.375 in	5 in	0.13 lb

### Drift Punches

- Manufactured from high alloy steel for increased strength
- Heat treated for long lasting durability
- Precision ground taper ends in a flat point for installing or removing pins and shafts
- Useful for aligning holes in multiple components
- Black oxide finish inscribed with a visible "Wear safety goggles" reminder
- Hex stock fits securely into a punch and chisel holder and reduces rolling on work surfaces
- Made in the USA



Cat. No.	Point Diameter	Stock Size	Overall Length	Product Weight
70-189G	.125 in	.312 in	8 in	0.250 lb
70-193G	.187 in	.5 in	9 in	0.500 lb
70-195G	.218 in	.5 in	10 in	0.495 lb
70-197G	.25 in	.625 in	12 in	0.855 lb
70-199G	.312 in	.625 in	12 in	0.905 lb
70-201G	.375 in	.75 in	15 in	1.400 lb

### 3 Pc. Brass Drift Punch Set

- Non-marring design is ideal for delivering strong blows without damaging the work surface
- Non-sparking design is great for heavy-duty work in mines or explosive atmospheres where sparks are dangerous
- Flat tip can be used for installing or removing pins and shafts, or for aligning holes in multiple pieces
- Made in the USA



Cat. No.	Included Storage	Product Weight
70-545G	None	1.74 lb

Cat. No.	Description
70-291G	3/4" x 8" Brass Drift Punch
70-293G	1/2" x 7" Brass Drift Punch
70-294G	3/8" x 6" Brass Drift Punch

### Brass Drift Punches

- Non-marring design is ideal for delivering strong blows without damaging the work surface
- Non-sparking design is great for heavy-duty work in mines or explosive atmospheres where sparks are dangerous
- Flat tip useful for installing or removing pins and shafts, or for aligning holes in multiple pieces
- Made in the USA



Cat. No.	Point Diameter	Stock Size	Overall Length	Product Weight
70-291G	.75 in	.75 in	8 in	1.09 lb
70-293G	.25 in	.5 in	7 in	0.43 lb
70-294G	.375 in	.375 in	6 in	0.22 lb

### 3 Pc. Brass Pin Punch Set

- Non-marring design, ideal for delivering strong blows without damaging the work surface
- Non-sparking design, great for heavy-duty work in mines or explosive atmospheres where sparks are dangerous
- Area surrounding the pin is precision ground and tapered towards a point to prevent binding
- Made in the USA



Cat. No.	Included Storage	Product Weight
70-546G	None	0.83 lb

Cat. No.	Description
70-295G	1/2" x 4" Brass Pin Punch
70-296G	3/8" x 6" Brass Pin Punch
70-297G	1/4" x 6" Solid Brass Punch

### Brass Pin Punch

- Non-marring design is ideal for delivering strong blows without damaging the work surface
- Non-sparking design is great for heavy-duty work in mines or explosive atmospheres where sparks are dangerous
- Area surrounding the pin is precision ground and tapered towards a point to prevent binding
- Made in the USA



Cat. No.	Point Diameter	Stock Size	Overall Length	Product Weight
70-295G	.5 in	.375 in	4 in	0.19 lb
70-296G	.375 in	.5 in	6 in	0.32 lb

### Flat Tip Brass Punch

- Non-marring design is ideal for delivering strong blows without damaging the work surface
- Non-sparking design is great for heavy-duty work in mines or explosive atmospheres where sparks are dangerous
- Flat tip useful for installing or removing pins and shafts, or for aligning holes in multiple pieces
- Made in the USA



Cat. No.	Point Diameter	Stock Size	Overall Length	Product Weight
70-297G	.25 in	.5 in	6 in	0.32 lb



### 4 Pc. Cold Chisel Set

- Designed to cut metal, such as wrought iron, steel, brass, or aluminum
- For cutting rivets, bolts, and nuts
- Softened and tapered striking end reduces the risk of chipping
- Ground surface for ease of identification
- Precision hardened working ends



Cat. No.	Included Storage	Product Weight
82308	None	1.35 lb

Cat. No.	Description	Cat. No.	Description
82263	7/16" x 5-1/2" Cold Chisel	82265	5/8" x 6-1/2" Cold Chisel
82264	1/2" x 6" Cold Chisel	82266	3/4" x 7" Cold Chisel

### Cold Chisels

- Designed to cut metal, such as wrought iron, steel, brass, or aluminum
- For cutting rivets, bolts, and nuts
- Softened and tapered striking end reduces the potential to chip
- Ground surface for ease of identification
- Precision hardened working ends
- Meets or exceeds ASME B107.47



Cat. No.	Width of Cut	Stock Size	Overall Length	Product Weight
82261	.25 in	.25 in	4.75 in	0.08 lb
82262	.375 in	.312 in	5 in	0.13 lb
82263	.437 in	.375 in	5.5 in	0.18 lb
82264	.5 in	.375 in	6 in	0.20 lb
82265	.625 in	.375 in	6.5 in	0.36 lb
82266	.75 in	.625 in	7 in	0.60 lb
82267	.875 in	.75 in	7.5 in	0.91 lb
82268	1 in	.875 in	8 in	1.29 lb

### 10 Pc. Cold Chisel Set

- Manufactured from high alloy steel for maximum strength
- Heat-treated to provide long-lasting durability
- Cutting edges ground to a precise angle for most efficient cutting and a long life
- Black oxide finish inscribed with a visible "Wear safety goggles" reminder
- Hex stock fits securely into a punch and chisel holder and reduces rolling on work surfaces
- Made in the USA
- Includes tool roll for storage and organization



Cat. No.	Included Storage	Product Weight
70-563G	Tool Roll	6.00 lb

Cat. No.	Description	Cat. No.	Description
70-301G	1/4" x 5" Cold Chisel	70-311G	5/8" x 6-1/2" Cold Chisel
70-303G	5/16" x 5" Cold Chisel	70-313G	3/4" x 7" Cold Chisel
70-305G	3/8" x 5-1/8" Cold Chisel	70-315G	7/8" x 7-1/2" Cold Chisel
70-307G	7/16" x 6 Cold Chisel	70-317G	1" x 8" Cold Chisel
70-309G	1/2" x 6" Cold Chisel	70-319G	1-1/8" x 8" Cold Chisel

### 7 Pc. Cold Chisel Set

- Manufactured from high alloy steel for maximum strength
- Heat treated to provide long lasting durability
- Cutting edges ground to a precise angle for most efficient cutting and a long life
- Black oxide finish inscribed with a visible "Wear safety goggles" reminder
- Hex stock fits securely into a punch and chisel holder and reduces rolling on work surfaces
- Made in the USA
- Includes tool roll for storage and organization

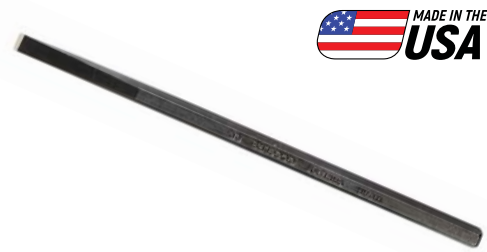


Cat. No.	Included Storage	Product Weight
70-562G	Tool Roll	2.81 lb

Cat. No.	Description	Cat. No.	Description
70-303G	5/16" x 5" Cold Chisel	70-311G	5/8" x 6-1/2" Cold Chisel
70-305G	3/8" x 5-1/8" Cold Chisel	70-313G	3/4" x 7" Cold Chisel
70-307G	7/16" x 6 Cold Chisel	70-315G	7/8" x 7-1/2" Cold Chisel
70-309G	1/2" x 6" Cold Chisel		

### Cold Chisels

- Manufactured from high alloy steel for maximum strength
- Heat treated to provide long lasting durability
- Cutting edge ground to a precise angle for most efficient cutting and a long life
- Black oxide finish inscribed with a visible "Wear safety goggles" reminder
- Hex stock fits securely into a punch and chisel holder and reduces rolling on work surfaces
- Made in the USA



Cat. No.	Width of Cut	Stock Size	Overall Length	Product Weight
70-301G	.25 in	.25 in	5 in	0.320 lb
70-303G	.312 in	.25 in	5 in	0.320 lb
70-305G	.375 in	.312 in	5.125 in	0.150 lb
70-307G	.437 in	.375 in	6 in	0.175 lb
70-309G	.5 in	.437 in	6 in	0.350 lb
70-311G	.625 in	.5 in	6.5 in	0.370 lb
70-313G	.75 in	.625 in	7 in	0.595 lb
70-315G	.875 in	.75 in	7.5 in	0.900 lb
70-317G	1 in	.875 in	8 in	1.260 lb
70-319G	1.125 in	.875 in	8 in	1.320 lb

### 5 Pc. Tool Steel Cold Chisel Set

- Manufactured from high alloy steel for maximum strength
- Heat treated to provide long lasting durability
- Cutting edges ground to a precise angle for most efficient cutting and a long life
- Black oxide finish inscribed with a visible "Wear safety goggles" reminder
- Hex stock fits securely into a punch and chisel holder and reduces rolling on work surfaces
- Made in the USA
- Includes tool roll for storage and organization



Cat. No.	Included Storage	Product Weight
70-560G	Tool Roll	2.64 lb

Cat. No.	Description	Cat. No.	Description
70-325G	3/8" x 5-1/2" Tool Steel Cold Chisel	70-333G	3/4" x 7" Tool Steel Cold Chisel
70-329G	1/2" x 6" Tool Steel Cold Chisel	70-335G	7/8" x 7-1/2" Tool Steel Cold Chisel
70-331G	5/8" x 6-1/2" Tool Steel Cold Chisel		

### Tool Steel Cold Chisels

- Manufactured from shock-resistant tool steel for unequalled strength, toughness, and durability, without brittleness
- Full shank is heat treated, hardened, and tempered to resist mushrooming and chipping, extending the life of the tool
- Cutting edge ground to a precise angle for more efficient cutting and a long tool life
- Modified parabolic head directs the striking force to the center of the tool
- Black oxide finish inscribed with a visible "Wear safety goggles" reminder
- Hex stock fits securely into a punch and chisel holder and reduces rolling on work surfaces
- Meets or exceeds ASME B209.1 and US federal spec. GGG-C-313C
- Made in the USA



Cat. No.	Width of Cut	Stock Size	Overall Length	Product Weight
70-325G	.375 in	.312 in	5.5 in	0.125 lb
70-329G	.5 in	.437 in	6 in	0.270 lb
70-331G	.625 in	.5 in	6.5 in	0.355 lb
70-333G	.75 in	.625 in	7 in	0.585 lb
70-335G	.875 in	.75 in	7.5 in	0.895 lb

### Extra Long Cold Chisels

- Manufactured from shock-resistant tool steel for unequalled strength, toughness, and durability, without brittleness
- Full shank is heat treated, hardened, and tempered to resist mushrooming and chipping, extending the life of the tool
- Cutting edge ground to a precise angle for more efficient cutting and a long tool life
- Modified parabolic head directs the striking force to the center of the tool
- Black oxide finish inscribed with a visible "Wear safety goggles" reminder
- Hex stock fits securely into a punch and chisel holder, reducing the tendency to roll on work surfaces
- Meets or exceeds ASME B209.1 and US federal spec. GGG-C-313C
- Made in the USA



Cat. No.	Width of Cut	Stock Size	Overall Length	Product Weight
70-353G	.75 in	.625 in	12 in	1.095 lb
70-367G	1 in	.75 in	12 in	1.515 lb



**Bluetooth® Speaker/Radio**



- IP65 dust and water resistance
- 4' AC/DC cord included, USB and wall adapter
- 6 hours unconnected run time, 12 on just FM radio



• FM Radio with built in antenna

- Built in microphone
- 4400mAh/3.7V rechargeable Li-Ion battery

- Multi-Link Feature allows for up to two speakers on one source

- USB port with 5V/1A output to charge other devices



- microSD port for MP3 playback

- **Bluetooth™**
- Bluetooth 4.2 compatible

- MULTI LINK FEATURE™**  
OPERATES TWO SPEAKERS
- RECHARGEABLE™**  
LI-ION BATTERY
- BUILT-IN MICROPHONE™**  
FOR RECEIVING CALLS
- CHARGES OTHER™**  
ELECTRONIC DEVICES
- UP TO 12 HOURS™**  
RUN TIME

**FORGE AHEAD**

RATCHETS, SOCKETS, AND DRIVE TOOLS

WRENCHES

IMPACT

TORQUE WRENCHES

SCREWDRIVERS & NUTDRIVERS

PLIERS

CUTTING AND FILING

STRIKING AND STRUCK

PRY BARS

LIGHTING

AUTOMOTIVE SPECIALTY

TOOL STORAGE

MASTER SETS



**FORGE AHEAD**

### 3 Pc. Indexing Pry Bar Set

- Able to reach areas inaccessible to a fixed head tool for improved access
- Heads rotate 180° through 14 locking positions for unparalleled access and leverage
- Compact design allows for work in tight spaces
- Smooth head profile fits into low access areas, making quick work of pry jobs in cramped areas
- Designed for demolition, repositioning equipment, industrial work, aligning steel components, or moving engines
- Exceeds ASME and ANSI requirements for proven strength, making it the perfect tool for heavy-duty automotive or industrial work



Cat. No.	Included Storage	Product Weight
82301D	None	4.33 lb

Cat. No.	Description
82208	1/4" x 8" Indexing Pry Bar
82210	3/8" x 10" Indexing Pry Bar
82216	3/8" x 16" Indexing Pry Bar

### 2 Pc. Indexing Pry Bar Set

- Able to reach areas inaccessible to a fixed head tool for improved access
- Heads rotate 180° through 14 locking positions for unparalleled access and leverage
- Compact design allows for work in tight spaces
- Smooth head profile fits into low access areas, making quick work of pry jobs in cramped areas
- Designed for demolition, repositioning equipment, industrial work, aligning steel components, or moving engines
- Exceeds ASME and ANSI requirements for proven strength, making it the perfect tool for heavy-duty automotive or industrial work



Cat. No.	Included Storage	Product Weight
82300	None	2.43 lb

Cat. No.	Description	Cat. No.	Description
82208	1/4" x 8" Indexing Pry Bar	82216	3/8" x 16" Indexing Pry Bar

### Indexing Pry Bars

- Able to reach areas inaccessible to a fixed head tool for improved access
- Heads rotate 180° through 14 locking positions for unparalleled access and leverage
- Compact design allows for work in tight spaces
- Smooth head profile fits into low access areas, making quick work of pry jobs in cramped areas
- Designed for demolition, repositioning equipment, industrial work, aligning steel components, or moving engines
- Exceeds ASME and ANSI requirements for proven strength, making it the perfect tool for heavy-duty automotive or industrial work



Cat. No.	Tip Width	Blade Length	Overall Length	Product Weight
82208	.250 in	3 in	8 in	0.87 lb
82210	.375 in	3 in	10 in	1.08 lb
82216	.375 in	3 in	16 in	1.69 lb
82224	.865 in	5.5 in	24 in	5.10 lb
82233	.865 in	5.5 in	33 in	5.90 lb

### Extendable Indexing Pry Bars

- Expandable and adjustable to reach areas inaccessible to a fixed head tool for improved access
- Head rotates 180° through 14 locking positions for unparalleled access and leverage
- Compact design allows for work in tight spaces
- Designed for demolition, repositioning equipment, industrial work, aligning steel components, or moving engines
- Grooved head profile grips and holds securely, even in tight confines and at the fullest extension
- Exceeds ASME and ANSI requirements for proven strength, making it the perfect tool for heavy-duty automotive or industrial work



Cat. No.	Tip Width	Blade Length	Cont. Length	Ext. Length	Product Weight
82220	.812 in	5.5 in	21 in	33.5 in	5.28 lb
82248	.875 in	6.5 in	29 in	48.0 in	10.21 lb



### 3 Pc. Acetate Handle Pry Bar Set

- Improved leverage in medium-duty and heavy-duty automotive and industrial applications
- Angled tip for increased leverage and access in confined areas
- Black phosphate coating on the shaft to resist corrosion
- Specially formulated acetate handle for greater resistance to cold temperatures and drops
- Comfortable ergonomic handle provides a secure grip



Cat. No.	Included Storage	Product Weight
82403	Tray	4.03 lb

Cat. No.	Description
82412	9/16" x 12" Angled Tip Pry Bar
82417	5/8" x 17" Angled Tip Pry Bar
82425	3/4" x 25" Angled Tip Pry Bar

### Acetate Handle Pry Bars

- Improved leverage in medium-duty and heavy-duty automotive and industrial applications
- Angled tip gives you increased leverage and access to confined areas
- Black phosphate coating on the shaft to resist corrosion
- Specially formulated acetate handle for greater resistance to cold temperatures and drops
- Comfortable ergonomic handle provides a secure grip



Cat. No.	Tip Width	Stock Size	Blade Length	Overall Length	Product Weight
82408	0.41 in	0.250 in	4.00 in	8 in	0.22 lb
82412	0.58 in	0.375 in	7.25 in	12 in	0.59 lb
82417	0.60 in	0.375 in	12.25 in	17 in	0.78 lb
82425	0.77 in	0.500 in	18.25 in	25 in	1.77 lb
82431	0.79 in	0.500 in	24.25 in	31 in	2.19 lb
82436	0.79 in	0.500 in	29.25 in	36 in	2.53 lb

### 18" Rolling Wedge Bar

- Manufactured from alloy steel for maximum strength and durability
- Tapered end is perfect for aligning bolt holes ensuring proper assembly
- Rolling wedge head provides maximum leverage for wedging and removing seals
- Black oxide coating to resist corrosion
- Ideally used in construction, automotive, industrial, and MRO applications



Cat. No.	Overall Length	Overall Width	Overall Height	Product Weight
82200	18 in	1.5 in	1.5 in	1.58 lb

### 4 Pc. Aligning & Rolling Head Pry Bar Set



- Manufactured from alloy steel for maximum strength and durability
- Rolling head provides maximum leverage, allowing you to pry objects apart or lift and rotate heavy machinery
- Chiseled edge is designed for demolition, prying, and aligning
- Tapered end is perfect for aligning bolt holes ensuring proper assembly
- Set includes 16 and 24 inch aligning pry bars and 15 and 18 inch rolling head pry bars
- Ideally used in construction, industrial, and MRO applications
- Made in the USA



Cat. No.	Included Storage	Product Weight
70-578G	None	8.250 lb

Cat. No.	Description	Cat. No.	Description
70-519G	1/2" x 15" Rolling Head Bar	70-521G	5/8" x 18" Rolling Head Bar
70-503G	5/8" x 16" Aligning Pry Bar	70-505G	3/4" x 24" Aligning Pry Bar

**Aligning Pry Bars**

- Manufactured from alloy steel for maximum strength and durability
- Angled tip provides increased leverage even in hard-to-reach spaces
- Tapered end is perfect for aligning bolt holes ensuring proper assembly
- Chiseled edge is designed for demolition, prying, and aligning
- Ideally used in construction, industrial, and MRO applications
- Made in the USA



Cat. No.	Tip Width	Stock Size	Blade Length	Overall Length	Product Weight
70-501G	0.500 in	0.500 in	2.50 in	14 in	0.55 lb
70-503G	0.625 in	0.625 in	3.00 in	16 in	1.35 lb
70-505G	0.750 in	0.750 in	4.00 in	24 in	3.08 lb
70-507G	0.875 in	0.875 in	4.50 in	30 in	4.93 lb
70-509G	1.062 in	0.875 in	4.75 in	46 in	7.97 lb
70-511G	1.187 in	1.062 in	4.25 in	54 in	10.45 lb

**Rolling Head Pry Bars**

- Manufactured from alloy steel for maximum strength and durability
- Rolling head provides maximum leverage, allowing you to pry objects apart or lift and rotate heavy machinery
- Tapered end is perfect for aligning bolt holes ensuring proper assembly
- Ideally used in construction, automotive, industrial and MRO applications
- Made in the USA



Cat. No.	Tip Width	Stock Size	Blade Length	Overall Length	Product Weight
70-517G	0.375 in	0.375 in	1.000 in	9 in	0.31 lb
70-519G	0.500 in	0.500 in	1.250 in	15 in	0.69 lb
70-521G	0.625 in	0.625 in	1.375 in	18 in	1.59 lb

PRY BARS

RATCHETS, SOCKETS, AND DRIVE TOOLS

WRENCHES

IMPACT

TORQUE WRENCHES

SCREWDRIVERS & NUTDRIVERS

PLIERS

CUTTING AND FILING

STRIKING AND STRUCK

PRY BARS

**LIGHTING**

AUTOMOTIVE SPECIALTY

TOOL STORAGE

MASTER SETS



### Rechargeable LED Area Lights

- Variable level LED light with COB technology
- Meets IP67 water resistance rating for limited water immersion
- Rechargeable lithium ion battery provides up to 10 hours of run time
- Offers constant current so the light won't dim as the battery runs low
- Durable aluminum and composite housing with glass lens to withstand rugged use
- Indicator light turns on when fully charged
- Runs on both AC and battery power for stationary and portable use
- Light pivots to direct the beam where you need it
- AC charging cord included
- 1 year limited warranty



Cat. No.	Description	Light Settings	Lumens per Setting	Magnetic	Product Weight
83124	1000 Lumen Rechargeable Area Light with AC Adapter	2	500/1000	Yes	2.2 lb
83139	3000 Lumen Rechargeable Area Light with AC Adapter	5	600/1200/1800/2400/3000	No	4.8 lb

### Rechargeable LED Work Light

- Dual LED 250 and 500 lumen ratings with COB technology
- Single 150 lumen inspection light on top
- Sealed water resistant IP65 rating for dust and water spray
- Rechargeable lithium ion battery with charging indicator provides up to 5 hours of run time
- Offers constant current so the light won't dim as the battery runs low
- Protective rubber outer cover to help prevent damage
- Indicator light turns on when fully charged
- Magnetic base and fold away rotating hang hook for easy positioning
- Mini DC cord included
- 1 year limited warranty



Cat. No.	Description	Light Settings	Lumens per Setting	Magnetic	Overall Length	Product Weight
83138	500 Lumen Rechargeable Work Light with Charging Station	2	250/500	Yes	9 in	1.7 lb

### Rechargeable LED Compact Work Light

- Dual LED 150 and 300 lumen ratings with COB technology
- Single 100 lumen penlight
- Sealed water resistant IP54 rating for dust and water spray
- Rechargeable lithium ion battery with indicator provides up to 4 hours of run time
- Offers constant current so the light won't dim as the battery runs low
- Light pivots 180° to direct the beam where you need it
- Magnet and hang hook in base for easy positioning
- USB type C cord included
- 1 year limited warranty



Cat. No.	Description	Light Settings	Lumens per Setting	Magnetic	Overall Length	Product Weight
83352	300 Lumen Rechargeable Compact Work Light	2	150/300	Yes	8.38 in	0.440 lb

### Rechargeable LED Wing Light

- Dual LED 500 and 1000 lumen ratings with COB technology
- Single 400 lumen spotlight
- Sealed water resistant IP54 rating for dust and water spray
- Rechargeable lithium ion battery with indicator provides up to 4 hours of run time
- Offers constant current so the light won't dim as the battery runs low
- Light pivots 180° to direct the beam where you need it
- Magnet and hang hook in base for easy positioning
- USB type C cord included
- 1 year limited warranty



Cat. No.	Description	Number of Light Settings	Number of Lumens per Setting	Magnetic	Overall Length	Product Weight
83351	1000 Lumen Rechargeable Wing Light	2	500/1000	Yes	2.49 in	0.990 lb

### Rechargeable Ultra-Thin Flex-Head LED Work Lights

- Dual LED settings with COB technology
- Single 30 lumen light on top
- Rechargeable lithium ion battery with charging indicator provides up to 6 hours of run time
- Offers constant current so the light won't dim as the battery runs low
- 360° flex-head directs light into hard to reach places
- Indicator changes from red to green when fully charged
- Memory function remembers your last setting and automatically starts at that level
- Magnet and hang hook in base for easy positioning
- Mini DC cord included
- 1 year limited warranty



Cat. No.	Description	Light Settings	Lumens per Setting	Magnetic	Maximum Length	Product Weight
83134	8" Professional 150 Lumen Ultra-Thin Flex-Head Work Light	2	75/150	Yes	8.375 in	0.44 lb
83135	12-1/2" Professional 500 Lumen Ultra-Thin Flex-Head Work Light	2	250/500	Yes	12.5 in	1.06 lb

### Rechargeable LED Head Light

- Dual LED 100 and 200 lumen ratings with COB technology
- Sealed water resistant IP54 rating for dust and water spray
- Rechargeable lithium ion battery with charging indicator provides up to 4 hours of run time
- Offers constant current so the light won't dim as the battery runs low
- Two way expandable head strap with security clips for work helmets
- Indicator changes from red to green when fully charged
- Mini DC cord included
- 1 year limited warranty



Cat. No.	Description	Light Settings	Lumens per Setting	Product Weight
83137	200 Lumen Rechargeable Head Lamp	2	100/200	0.88 lb

### Rechargeable LED Flashlight

- Dual LED 250 and 500 lumen ratings with COB technology
- Sealed water resistant IP54 rating for dust and water spray
- Rechargeable lithium ion battery provides up to 5 hours of run time
- Offers constant current so the light won't dim as the battery runs low
- Solid aluminum housing with glass lens
- Indicator changes from red to green when fully charged
- Mini DC cord included
- Pouch 83123P is available separately
- 1 year limited warranty



Cat. No.	Description	Light Settings	Lumens per Setting	Overall Length	Product Weight
83123	500 Lumen Rechargeable Flashlight	2	250/500	6.25 in	0.15 lb

### Rechargeable LED Penlight

- 125 lumen LED rated light with COB technology
- Sealed water resistant IP54 rating for dust and water spray
- Rechargeable lithium ion battery provides up to 2-1/2 hours of run time
- Offers constant current so the light won't dim as the battery runs low
- Solid aluminum housing with glass lens and pocket clip
- Indicator changes from red to green when fully charged
- Mini DC cord included
- 1 year limited warranty



Cat. No.	Description	Light Settings	Lumens per Setting	Overall Length	Product Weight
83122	125 Lumen Rechargeable Penlight	1	125	6.5 in	0.07 lb

### Light Accessories

- Cable works with GEARWRENCH lights: 83122, 83123, 83134, 83135, 83137 & 83138
- Pouch works with GEARWRENCH flashlight 83123 (not included)



Cat. No.	Description	Color	Overall Length	Overall Width	Overall Height	Fits Tool	Product Weight
83123P	Pouch for Flashlight 83123	Black	7.25 in	2.5 in	1.5 in	83123	0.15 lb
83125	Replacement 3' USB/Pin Connection Cable	Black	39.5 in	.75 in	.375 in	83122 83123 83134 83135 83137 83138	0.15 lb



**Rechargeable LED Winglight with Underhood Rack**

- Dual LED 500 and 1000 lumen ratings with COB technology
- Single 400 lumen spotlight
- Sealed water resistant IP54 rating for dust and water spray
- Rechargeable lithium ion battery with indicator provides up to 4 hours of run time
- Offers constant current so the light won't dim as the battery runs low
- Light pivots 180° to direct the beam where you need it
- Magnet and hang hook in base for easy positioning
- Light works separately or with underhood rack
- USB type C cord included
- 1 year limited warranty



Cat. No.	Description	Light Settings	Lumens per Setting	Magnetic	Overall Length	Product Weight
83350	1000 Lumen Rechargeable Wing Light with Underhood Rack	2	500/1000	Yes	38 in	5.070 lb

RATCHETS, SOCKETS, AND DRIVE TOOLS

WRENCHES

IMPACT

TORQUE WRENCHES

SCREWDRIVERS & NUTDRIVERS

PLIERS

CUTTING AND FILING

STRIKING AND STRUCK

PRY BARS

LIGHTING

**AUTOMOTIVE SPECIALTY**

TOOL STORAGE

MASTER SETS



### Straight Hose Clamp Pliers

- For use on flat band hose clamps
- Easy to use locking feature
- Comfort grip handles to reduce user hand fatigue
- One end notched other end open



Cat. No.	Jaw Opening	Overall Length	Product Weight
3976D	1.5 in	9 in	0.75 lb

### Angled Hose Clamp Pliers

- For use on flat band hose clamps
- Angled jaws for improved access around obstructions
- Easy to use locking feature
- Comfort grip handles to reduce user hand fatigue



Cat. No.	Jaw Opening	Overall Length	Product Weight
3977	1.5 in	9 in	0.84 lb

### Cable Hose Clamp Pliers

- Used to easily remove or install spring/flat band type hose clamps
- Cable allows for use on difficult to reach clamps
- Can be used on clamps from 0" - 2" and from 1" to 3"
- Black phosphate finish to resist corrosion



Cat. No.	UPC No.	Packaging	Overall Length	Wire Crimper	Jaw Length	Jaw Width	Jaw Thickness	Jaw Capacity	Jaw Type	Wire Cutter	Product Weight
82115	099575082153	Carded	36.5 in	No	3 in	.5 in	.31 in	0 in - 3 in	Hose Clamp	No	1.355 lb

### Corbin Style Hose Clamp Pliers

- Designed for use on corbin style hose clamps
- Plier tips trap and hold the clamp, then swivel for multiple access angles
- Easy to use locking feature
- Comfort grip handles to reduce user hand fatigue
- V-notch on both tips



Cat. No.	Overall Length	Product Weight
3975D	9 in	0.74 lb

### Heavy-Duty Large Hose Clamp Pliers

- Designed for use on flat ear style hose clamps
- Plier tips trap and hold the clamp, then swivel for multiple access angles
- Easy to use locking feature
- Comfort grip handles to reduce user hand fatigue



Cat. No.	Overall Length	Product Weight
3978D	10.5 in	0.85 lb

### Automatic Locking Ratcheting Hose Pinch Off Pliers

- Pinch off pliers eliminate the need to drain a cooling system during servicing
- Pliers squeeze hoses shut, and jaws swivel for parallel clamping
- Automatically locking ratchet
- Maximum capacity of 1" outside hose diameter
- Comfort grip handles to reduce user hand fatigue
- Not for use on wire-reinforced hose



Cat. No.	Overall Length	Jaw Length	Jaw Capacity	Product Weight
145	10 in	2.5 in	1 in	0.85 lb

### Hose Pinch Off Pliers

- Ideal for use on radiator or heater hoses and water, air, vacuum or fuel lines
- Extra long hand grips for improved control
- Clamping mechanism locks automatically, with no screws or levers to set or adjust
- Black oxide finish to resist corrosion
- Professional, ergonomic dipped grips wipe clean easily



Cat. No.	Overall Length	Jaw Capacity	Product Weight
3791	5.5 in	.75 in	0.43 lb
3792D	9.25 in	1.25 in	0.75 lb
3793	14 in	2.5 in	1.24 lb

### Remote Control Starter Switch

- Bypass the ignition switch on any engine with a solenoid starter switch
- Lets you crank the engine while working in the engine compartment
- Made of heavy-duty construction and has 32"-long lead
- Connect from the positive battery terminal to the energizing terminal of solenoid
- Use for GE generator, starter, electrical, fuel pump and compression tests and for setting ignition points and adjusting tappets
- 6 and 12 volt use only
- Wire rated capacity 8 amp
- Caution: Care should be taken to keep away from hot or rotating components



Cat. No.	Description	Product Weight
124DD	Remote Control Starter Switch	0.40 lb

### Flywheel Turner

- Hook into flywheel teeth to rotate the crankshaft
- Use when working on clutches, transmissions, installing rings or other jobs that require the crankshaft to be in a specific position
- Spring tension aids tool engagement on the flywheel



Cat. No.	Description	Product Weight
2270	Flywheel Turner	0.88 lb

### Compression Tester

- Checks cylinder compression from 0 to 300 PSI and 0 to 21 kg/cm2
- Adapters fit 14 and 18mm Spark Plug Holes and Special Air-Hold Valve is included to Reset Gauge Easily
- Tester has a 16" rubber hose and is a serviceable product
- Includes special air-hold valve to easily reset gauge



Cat. No.	Description	Product Weight
2428D	Compression Tester	0.90 lb
242875	Replacement Gauge for Compression Tester 2428D	0.12 lb

### 10 Pc. Oil Pressure Check Kit

- Test engine oil pressure at the oil filter on most passenger cars and light trucks
- Five different adapters are included for both domestic and imported engines
- Gauge is calibrated to read max pressure from 0 to 100 PSI



Cat. No.	Included Storage	Product Weight
3289	None	2.65 lb

Cat. No.	Description	Cat. No.	Description
-	Pressure Gauge and Hose Assembly	-	3/4-16 UN2B Zinc Adaptor
-	Pressure Bell	-	13/16 - 16 UN2B Zinc Adaptor
-	Chrysler Small Diameter Spacer Ring	-	18mm x 1.5 6-H Black Oil Dip Adaptor
-	Chevrolet V8 Large Diameter Spacer Ring	-	20mm x 1.5 6-H Black Oil Dip Adaptor
-	Chevrolet V8 Threaded Adaptor Sleeve	-	22mm x 1.5 6-H Black Oil Dip Adaptor

### Fuel Line Quick Disconnect Tool

- Tool releases the fuel line locking mechanism
- Applications include 1989 and newer GM, 1990 and newer Ford and some 1990 and newer Mazda vehicles
- Fits 5/16" and 3/8" fuel lines
- All-metal construction and design built for strength and durability
- Handles are easy to grasp and offer a strong grip for maximum torque



Cat. No.	Size	Product Weight
3321	5/16 in 3/8 in	0.15 lb



## Engine/Automatic Transmission Oil Pressure Check Kit

- Use on all domestic cars and light trucks, as well as most import cars and light trucks
- Includes: 2-1/2" gauge ranging from 0 to 300 PSI, 6" neoprene (Oil-Proof) hose, brass adapters for SAE and metric and an instruction sheet



Cat. No.	Included Storage	Product Weight
3343D	None	1.25 lb

Cat. No.	Description	Size	Cat. No.	Description	Size
-	Tester with 6" Hose	1/8-27 NPT Male	-	Brass Adapter	1/8-27 NPT Female 1/4-18 NPT Male
-	90° Brass Elbow (Qty 2)	1/8-27 NPT Female 1/8-27 NPT Male	-	Brass Adapter	1/4-18 NPT Female 3/8-18 NPT Male
-	Brass 2" Extension Adapter	1/8-27 NPT Male 1/8-27 NPT Male	-	Brass Adapter	1/8-27 NPT Male 1/4-18 NPT Male
-	Brass Adapter	1/8-27 NPT Female 1/8-27 NPT Female	-	Brass Adapter	1/8-27 NPT Female 8mm x 1.0 Male (3 Notches)
-	Brass Adapter	1/8-27 NPT Female 1/8-28 BSPT Male (2 Notches)	-	Brass Adapter	1/8-27 NPT Female 10mm x 1.0 Male (1 Notch)

## 8 Pc. Sensor & Sending Socket Set

- Designed for the removal and installation of oxygen sensors, oil pressure sending units, and vacuum switches
- Includes 1/2" drive 1-13/16" socket for oil sending unit
- Includes 3/8" drive 7/8" slotted socket for PVS, TVS and O2 sending units
- Includes 1/2" drive 1-1/16" socket for thermal sensor units
- Includes 3/8" drive 7/8" (22mm) socket for oxygen sensor units
- Includes 3/8" drive 1-1/16" Deep socket for oil pressure sending units
- Includes 1/2" drive 7/8" (22mm) socket for O2 sensor units
- Includes 3/8" drive 7/8" (22mm) low profile offset socket for O2 sensor unit
- Includes blow mold case for storage and organization



Cat. No.	Included Storage	Product Weight
41720	Blow Mold Case	5.68 lb

Cat. No.	Description	Cat. No.	Description
3920D	3/8" Drive Slotted Socket for PVS, TVS & O2 Socket 7/8"	3926D	3/8" Drive Short Access Socket 1-1/16"
3922D	3/8" Drive Oxygen Sensor Socket 7/8" (22mm)	3924D	1/2" Drive Oxygen Sensor Socket 7/8" (22mm)
3925D	3/8" Drive Low Profile Offset Oxygen Sensor Socket 7/8" (22mm)	3921D	1/2" Drive Thermal Sensor Socket 1-1/16"
3923D	3/8" Drive Deep Oil Pressure Sending Socket 1-1/16"	3919D	1/2" Drive Oil Sender Socket 1-3/16" (29mm)

## 1-3/16 (29mm) 1/2" Drive Oil Sender Socket

- 1-3/16" (29mm) 1/2" drive oil sender socket
- Fits 1-3/16" oil pressure sending units found on late-80's and mid-90's GM vehicles
- 90mm Long
- Black oxide coating to resist corrosion



Cat. No.	Drive Tang Size	Size	Overall Length	Product Weight
3919D	1/2 in	1-3/16 in, 29mm	1.14 in	0.20 lb

## 7/8" Slotted Socket for PVS, TVS, and O2 Socket

- Removes and Installs Vacuum Switches with a 7/8" Hex
- Also Fits Some Oxygen Sensors (90mm Long)
- Black oxide coating to resist corrosion



Cat. No.	Drive Tang Size	Size	Overall Length	Product Weight
3920D	3/8 in	7/8 in	3.54 in	0.20 lb

## 1/2" Drive 1-1/16" Thermal Sensor Socket

- Remove and Install 1973-1977 GM Thermal Sensor Switch
- Also Fits Some Oil Pressure Sending Units (85mm Long)
- Black oxide coating to resist corrosion



Cat. No.	Drive Tang Size	Size	Overall Length	Product Weight
3921D	1/2 in	1-1/16 in	3.34 in	0.20 lb

## 7/8" (22mm) 3/8" Drive Oxygen Sensor Socket

- Removes and installs oxygen sensors in most domestic and some imported vehicles
- Slotted socket allows for wire clearance
- 80mm in length
- Black oxide coating to resist corrosion



Cat. No.	Drive Tang Size	Size	Overall Length	Product Weight
3922D	3/8 in	7/8 in, 22mm	3.14 in	0.20 lb



### 1-1/16" 3/8" Drive Deep Oil Pressure Sending Socket

- Deep well allows for up to 2-5/8" clearance
- Works on most 1991-Newer GM vehicles using oil pressure gauge: 4 cylinder & 3.1 liter V6
- 1987-Newer Chrysler vehicles with light and gauge oil pressure switches
- Black oxide coating to resist corrosion
- Overall length 2-11/12 in



Cat. No.	Drive Tang Size	Size	Overall Length	Product Weight
3923D	3/8 in	1-1/16 in	2.92 in	0.20 lb

### 7/8" (22mm) Oxygen Sensor Socket

- Ideal for oxygen sensors in exhaust manifolds of 1981 and later model cars and trucks.
- 7/8 inch - 22mm 8 point socket with offset drive hole
- Designed for use with a 1/2" square drive tool
- Compact, low clearance head
- Black oxide coating to resist corrosion
- 50mm long
- Caution: Not intended for use on power tools



Cat. No.	Drive Tang Size	Size	Overall Length	Product Weight
3924D	1/2 in	7/8 in, 22mm	1.96 in	0.20 lb

### 7/8" (22mm) Low Profile Offset Oxygen Sensor Socket

- Removes and Installs Oxygen Sensors in Most Domestic and Some Imported Vehicles
- 30mm Long
- Black oxide coating to resist corrosion



Cat. No.	Drive Tang Size	Size	Overall Length	Product Weight
3925D	3/8 in	7/8 in, 22mm	1.18 in	0.20 lb

### 1-1/16" 3/8" Drive Short Access Socket

- For access to some Chrysler vehicles (54mm Long)
- Black oxide coating to resist corrosion



Cat. No.	Drive Tang Size	Size	Overall Length	Product Weight
3926D	3/8 in	1-1/16 in	2.13 in	0.20 lb

### 15 Pc. Locking Flex Head Ratcheting Serpentine Belt Tool Set

- Combining the innovation of a GEARWRENCH ratcheting wrench with the requirements of the serpentine belt removal tool to provide the best possible combination
- Complete tool set for removing or installing the serpentine belt on vehicles with a spring loaded belt tensioner pulley
- Long bar can hold sockets directly or attach to the ratcheting wrench for maximum access



Cat. No.	Included Storage	Product Weight
89000	Blow Mold Case	3.530

Cat. No.	Description	Cat. No.	Description
89042	7/8" 12 Point Locking Flex Head Double Box Ratcheting Wrench	368078	3/8" Drive 6 Point Socket 16mm
368071	Long Bar	368079	3/8" Drive 6 Point Socket 17mm
368073	3/8" Adapter	368080	3/8" Drive 6 Point Socket 18mm
368074	1/2" Adapter	368084	3/8" Drive 6 Point Socket 19mm
368075	3/4" Adapter	368081	3/8" Drive Crowfoot Socket 13mm
368085	3/8" Drive 6 Point Socket 13mm	368082	3/8" Drive Crowfoot Socket 14mm
368076	3/8" Drive 6 Point Socket 14mm	368083	3/8" Drive Crowfoot Socket 15mm
368077	3/8" Drive 6 Point Socket 15mm		

### 15 Pc. Ratcheting Serpentine Belt Tool Set

- Combining the innovation of a GEARWRENCH ratcheting wrench with the requirements of the serpentine belt removal tool to provide the best possible combination
- Complete tool set for removing or installing the serpentine belt on vehicles with a spring loaded belt tensioner pulley
- Long bar can hold sockets directly or attach to the ratcheting wrench for maximum access



Cat. No.	Included Storage	Product Weight
3680D	Blow Mold Case	3.70 lb

Cat. No.	Description	Cat. No.	Description
368072	Ratcheting Wrench	368078	3/8" Drive 6 Point Socket 16mm
368071	Long Bar	368079	3/8" Drive 6 Point Socket 17mm
368073	3/8" Adapter	368080	3/8" Drive 6 Point Socket 18mm
368074	1/2" Adapter	368084	3/8" Drive 6 Point Socket 19mm
368075	3/4" Adapter	368081	3/8" Drive Crowfoot Socket 13mm
368085	3/8" Drive 6 Point Socket 13mm	368082	3/8" Drive Crowfoot Socket 14mm
368076	3/8" Drive 6 Point Socket 14mm	368083	3/8" Drive Crowfoot Socket 15mm
368077	3/8" Drive 6 Point Socket 15mm		

### 12 Point SAE Locking Flex Double Box Ratcheting Wrench

- 72 tooth ratcheting box end needs a minimal 5° to move fasteners vs. 30° for standard wrenches
- Off-corner loading design on box ends provide better grip and reduces fastener rounding
- Pass-Thru™ technology and thin head fit down any length of threaded rod for unparalleled access
- Locking flexible head provides access to hard-to-reach bolts and fasteners
- Size conveniently stamped on both ends of the beam for quick identification
- Manufactured from alloy steel for better strength and longer tool life
- Bright, full polish chrome finish wipes easily clean to resist rust and corrosion



Cat. No.	Size	Overall Length	Product Weight
89042	7/8 in	9.05 in	.57

### 10 Pc Serpentine Belt Tool Set

- Used to release tension on serpentine belt self-adjusting idler pulley
- Push or pull to release tension
- Crowfoot wrenches provide maximum coverage and access
- Long bar is 3/8" drive, short bar is 1/2" drive



Cat. No.	Included Storage	Product Weight
3414D	None	3.01 lb

Cat. No.	Description	Cat. No.	Description
-	Long Bar	-	3/8" Drive 12 Point Socket 18mm
-	Short Bar	-	3/8" Drive 12 Point Socket 19mm
-	3/8" Drive 12 Point Socket 13mm	368081	3/8" Drive Crowfoot Socket 13mm
-	3/8" Drive 12 Point Socket 15mm	368082	3/8" Drive Crowfoot Socket 14mm
-	3/8" Drive 12 Point Socket 16mm	368083	3/8" Drive Crowfoot Socket 15mm

### Serpentine Belt Grabber Tool

- Ergonomic spring loaded handle remotely activates the belt grabber for belt routing
- Fingers easily control the serpentine belt during installation and removal
- Works faster and easier than standard belt hook tools
- Corrosion resistant steel to promote long life



Cat. No.	Magnetic	Overall Length	Product Weight
3684D	No	27 in	0.78 lb

### 8 Pc. Fan Clutch Service Set

- Covers most vehicles with bolt on pulleys and also newer Chrysler engines with press on pulleys requiring special pins to hold housing
- Features the patented universal pulley holder
- Black oxide coating to resist corrosion
- Includes blow mold case for storage and organization

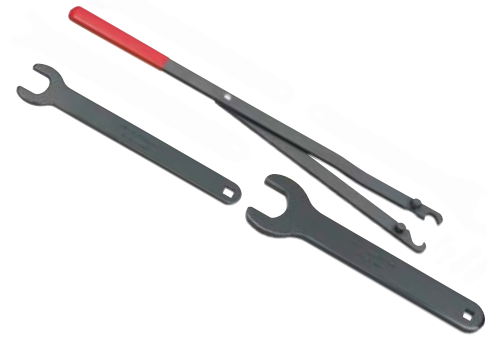


Cat. No.	Included Storage	Product Weight
41580D	Blow Mold Case	14.12 lb

Cat. No.	Description	Cat. No.	Description
3900	Universal Pulley Holder with Small and Large Pins	-	22mm Fan Nut Wrench
3473	1/2" Drive Diesel Fan Clutch Wrench 48mm	-	36mm Fan Nut Wrench
3901D	Pulley Holder Pin Set Small 5mm x 8mm	3422	1/2" Drive Ford 4.9L Fan Clutch Wrench 40mm
3902D	Pulley Holder Pin Set Large 6mm x 10mm 7.5mm x 18mm	-	50mm Fan Nut Wrench

### 4 Pc. Pulley Holder and Fan Clutch Tool Kit

- Eliminates the need for various size holding wrenches
- Remove and replace thermostatic fan assemblies
- Works on Ford Trucks W/2.8-L, 2.9-L, 3.0-L, 4.0-L, 4.9-L, and 5.0-L engines; Dodge Trucks W/3.9-L, 5.2-L, 5.9-L, 8.0-L V10 engines; GM trucks W/4.3-L, 5.0-L and 5.7-L engines



Cat. No.	Included Storage	Product Weight
3472	None	5.10 lb

Cat. No.	Description	Cat. No.	Description
3900	Universal Pulley Holder with Small and Large Pins	-	36mm Fan Nut Wrench
3901D	Pulley Holder Pin Set Small 5mm x 8mm	3422	1/2" Drive Ford 4.9L Fan Clutch Wrench 40mm

### Universal Pulley Holder

- Designed to trap and hold bolt-on pulleys by the mounting bolts on most applications
- When used in conjunction with fan clutch wrenches it is especially useful in removing and replacing thermostatic fan assemblies while eliminating the need for various size holding wrenches
- Applications for use fan clutch removal works with Ford trucks W/2.8-L, 2.9-L, 3.0-L, 4.0-L, 4.9-L, and 5.0-L engines
- Dodge trucks W/3.9-L, 5.2-L, 5.9-L, 8.0-L and V10 engines
- GM trucks W/4.3-L, 5.0-L and 5.7-L engines
- Jeeps W/5.2-L engines



Cat. No.	Included Storage	Product Weight
3900	None	1.50 lb

Cat. No.	Description
-	Universal Pulley Holder
3901D	Pulley Holder Pin Set Small 5mm x 8mm
3902D	Pulley Holder Pin Set Large 6mm x 10mm 7.5mm x 18mm

### Ford Fan Clutch Wrench, 4.9 L

- Removes thermostatic fan assembly on 1993-newer 4.9-L Ford engines
- Opening is 40mm (1.575")
- Black oxide coating to resist corrosion
- Durable steel construction



Cat. No.	Size	Overall Length	Product Weight
3422	40mm	1.57 in	0.26 lb

### Fan Clutch Wrench - Diesel

- Use in conjunction with the universal pulley holder 3900 to remove and replace the thermostatic fan assembly on Ford 6.9-L, 7.3-L, and 7.3-L Diesel engines
- Designed for use with a 1/2" square drive tool and a torque wrench
- Refer to factory service manual for torque specifications and thread direction
- Wrench opening is 48mm (1.889")



Cat. No.	Size	Overall Length	Product Weight
3473	48mm	10 in	1.53 lb

### 2 Pc. Fan Clutch Pulley Holder Set - Ford Powerstroke 6.0/6.4 Liter

- Designed for fan clutch removal on 2003-newer Ford 6.0-L Power Stroke® engines
- Grips and securely holds the pulley housing
- Loosens and removes oval or round hole holding nuts
- Black oxide coating to resist corrosion
- Includes blow mold case for storage and organization



Cat. No.	Included Storage	Product Weight
3950	Blow Mold Case	11.24 lb

Cat. No.	Description
-	Fan Clutch Wrench
-	Pulley Holder

### Honda Acura Crankshaft Holding Tool

- Holds crankshaft in place allowing for removal of hard-to-loosen crankshaft damper bolts
- Proper angle ensures easy access to crankshaft damper bolts
- Fits most Honda & Acura 4-cylinder applications from 1990-newer
- One man operation tool speeds up repair
- Designed for use with a 1/2" square drive tool



Cat. No.	Drive Tang Size	Product Weight
3970D	1/2 in	1.2950 lb

### 12 Pc. Pulley Puller and Installer Set

- Ideal for removing pressed-on alternator and power steering pulleys on GM, Ford and Chrysler engines
- Threaded end installs GM alternator and power steering pulleys, including Quad 4
- Reverse the jaws to pull the alternator internal bearing
- Will not work on 3.3-L and 3.5-L Chrysler engines
- Included blow mold case for storage and organization



Cat. No.	Included Storage	Product Weight
2897D	Blow Mold Case	2.25 lb

Cat. No.	Description	Cat. No.	Description
289780	Puller Body (A)	289786	Screw Installer for Quad 4 (H)
289781	Jaw & Screw Assembly (B)	289787	Puller Pin for GM 3.1 (J)
289782	Jackscrew (C)	289788	Screw Installer for GM 3.1 (K)
289783	Button (D)	289789	Screw Installer for Ford 4.6 (M)
289784	Bearing (E) and Washer (F)	289790	Screw Installer for Others (N)
289785	Puller Pin for Quad 4 (G)		

### 6 Pc. Power Steering Pump Puller Set

- Fits pulley hubs with diameters of 1-1/8", 1-1/4", 1-5/16" and 1-3/8"
- Includes a disconnect tool, bushing and screw set
- Pulls pulleys on GM belt driven vacuum pumps
- Pulls pressed on water pump pulleys of GM V6 engines
- Includes blow mold case for storage and organization



Cat. No.	Included Storage	Product Weight
41560D	Blow Mold Case	4.23 lb

Cat. No.	Description
3893D	Transmission Oil Cooler Line Disconnect Tool
41561D	Bushing and Screw Set A
41562D	Bushing and Screw Set B

### 9 Pc. Bushing Remover and Inserter Set

- Use to remove and insert bushings such as those in cars, trucks, buses, tractors, construction and off-road equipment
- Sizes are Stamped on Each Bushing Adapter
- To use, select proper size adapter and drive bushing into place
- Sizes range from 1-5/16" to 1-3/4"
- Includes blow mold case for storage and organization



Cat. No.	Included Storage	Product Weight
31430	Blow Mold Case	4.90 lb

Cat. No.	Description	Cat. No.	Description
-	Bushing Adapter (1-9/32 to 1-3/4")	-	Bushing Adapter (1-9/16 to 1-11/16")
-	Bushing Adapter (1-5/16 to 1-7/16")	-	Bushing Adapter (1-3/4")
-	Bushing Adapter (1-11/32 to 1-1/2")	-	Driver Nut
-	Bushing Adapter (1-7/16 to 1-9/16")	-	Driver #1
-	Bushing Adapter (1-1/2 to 1-5/8")		



### 37 Pc. Master Bolt Grip Set

- Works on harmonic balancers, steering wheels, crankshaft pulleys and gears
- Capable of handling almost every two- or three-way bolt pull possible on most cars, pickup trucks, SUVs and small engines
- Corrosion resistant for lasting durability
- Steel construction



Cat. No.	Included Storage	Product Weight
41600	Blow Mold Case	7.16 lb

Cat. No.	Description	Cat. No.	Description
41601	3 Way Yoke for Bolt Grip Set	41603	Black Metric Bolt Set
41602	4 Pc. Puller Tip Set	41605	Center Screws for Puller

### 14 Pc. Harmonic Balancer Installer

- Installs drive pulleys on harmonic balancers
- Includes a complete range of adapters
- Comes with thrust bearing for ease of use



Cat. No.	Included Storage	Product Weight
36790D	Blow Mold Case	3.34 lb

Cat. No.	Description	Cat. No.	Description
367980	Center Screw	367982	Adapter 10mm x 1.5
367981	Bushing & Washer Kit	367978	Adapter 12mm x 1.5
367976	Adapter 7/16-20	367983	Adapter 12-1.75
367973	Adapter 1/2-20	367971	Adapter 14mm x 1.5
367977	Adapter 9/16-18	367984	Adapter 14mm x 2.0
367975	Adapter 5/8-18	367985	Adapter 16mm x 1.5
367974	Adapter 3/4-16	367972	Adapter 16-2.0

### 12 Pc. Harmonic Balancer Puller

- Puller removes balancers, pulleys, and gears with tapped holes
- Floating swivel prevents damage to the shaft end
- Four slots in the yoke allow for 2 or 3 hole applications
- Tool bolts to balancer with center screw on the end of the crankshaft
- Tighten while tapping on the screw head to remove balancer
- Puller includes 3/8-24 UNF, 5/16-18 UNC, 3/8-16 UNC and 10mm x 1.5mm screws for most American and imported cars



Cat. No.	Included Storage	Product Weight
2286D	None	2.25 lb

Cat. No.	Description	Cat. No.	Description
228675	Yoke and Swivel Screw	-	5/16-18 2 OAL Screw x 2
-	3/8-16 4 OAL Screw x 2	-	10mm x 1.5 2.25 OAL Screw x 2
-	3/8-24 2 OAL Screw x 3		

### Piston Ring Compressor Set

- Install pistons from 2-7/8" to 4-3/8" and 73mm to 117mm
- Includes pliers and 7 bands
- Pliers can be used parallel or perpendicular to the cylinder block
- Fine tooth ratcheting lock allows you to compress bands in small increments
- Set works by placing a band around the piston, covering the rings and hooking pliers into the band and squeezing
- With the band tightly around the piston, insert piston into cylinder and tap lightly with hammer handle to install
- Includes blow mold case for storage and organization



Cat. No.	Included Storage	Product Weight
850DD	Blow Mold Case	2.18 lb

Cat. No.	Description	Size	Cat. No.	Description	Size
1114D	Self-Locking Piston Ring Compressor Pliers	2-5/8 in-5-7/8 in 67mm-149mm	1122D	Piston Ring Compressor Band	3-5/8 in-3-7/8 in 92mm-98 mm
1119D	Piston Ring Compressor Band	2-7/8 in-3-1/8 in 73mm-79 mm	1123D	Piston Ring Compressor Band	3-7/8 in-4-1/8 in 98mm-104 mm
1120D	Piston Ring Compressor Band	3-1/8 in-3-3/8 in 79mm-85mm	1124D	Piston Ring Compressor Band	4-1/8 in-4-3/8 in 104mm-111 mm
1121D	Piston Ring Compressor Band	3-3/8 in-3-5/8 in 85mm-92 mm	1125D	Piston Ring Compressor Band	4-3/8 in-4-5/8 in 111mm-117 mm

### Piston Ring Compressor Pliers

- Used to install pistons from 2-5/8" to 5-7/8" and 67mm to 149mm in diameter
- Fine tooth ratcheting lock allows you to compress bands in small increments
- Can be used parallel or perpendicular to the cylinder block on most bands



Cat. No.	Wire Crimper	Jaw Capacity	Jaw Type	Wire Cutter	Product Weight
1114D	No	2-5/8 in - 5-7/8 in 67mm - 149mm	Piston Ring Compressor	No	0.80 lb

### Piston Ring Compressor Bands

- Compress piston rings from 2-7/8 to 4-5/8" and 73mm - 117mm in diameter
- Work with 1114D pliers
- 1-1/2" band width



Cat. No.	Size	Fits Tool	Product Weight
1119D	2-7/8 in - 3-1/8 in 73mm - 79 mm	850DD 1114D	0.20 lb
1120D	3-1/8 in - 3-3/8 in 79mm - 85mm	850DD 1114D	0.22 lb
1121D	3-3/8 in - 3-5/8 in 85mm - 92 mm	850DD 1114D	0.24 lb
1122D	3-5/8 in - 3-7/8 in 92mm - 98 mm	850DD 1114D	0.24 lb
1123D	3-7/8 in - 4-1/8 in 98mm - 104 mm	850DD 1114D	0.26 lb
1124D	4-1/8 in - 4-3/8 in 104mm - 111 mm	850DD 1114D	0.26 lb
1125D	4-3/8 in - 4-5/8 in 111mm - 117 mm	850DD 1114D	0.32 lb

### Engine Cylinder Hone

- Hone and remove glaze from engine cylinders from 2" to 7" and 51mm to 177mm in diameter
- Adjust spring tension for positive cutting action and set diameter with spread limiter
- Includes medium grit stones no. 240



Cat. No.	Size	Grit	Fits Tool	Product Weight
2833D	2 in - 7 in 51mm - 177mm	240	2834D 2835D 2836DD	0.90 lb

### Engine Hone Replacement Stones

- 3 peice replacement stone set
- Use with engine cylinder hone 2833D



Cat. No.	Overall Length	Grit	Fits Tool	Product Weight
3157	3 in	240	2833D	0.200 lb
2834D	4 in	100	2833D	0.30 lb
2835D	4 in	240	2833D	0.25 lb
2836DD	4 in	400	2833D	0.25 lb

### Engine Cylinder Flex-Hones

- Hone engine cylinders 3-1/4" to 4-1/8" and 83mm to 105mm in diameter to produce a plateaued finish for fast ring seating and better oil retention for longer engine life
- Hone life is in excess of 1000 cylinders
- Requires no setup
- Use variable-speed 3/8" electric hand drill and move the Flex-Hone® up and down in the cylinder until desired results are obtained



Cat. No.	Size	Grit	Product Weight
2486	3-1/4 in - 3-1/2 in 83mm - 89mm	120	0.75 lb
2487D	3-1/2 in - 3-3/4 in 89mm - 95mm	120	0.75 lb
2488D	3-3/4 in - 4-1/8 in 95mm - 105mm	120	0.90 lb

### Heavy Duty Engine Cylinder Flex-Hones

- Heavy-duty hone engine cylinders, 2-3/4" to 4-1/2" and 70mm to 114mm in diameter
- Deliver the same plateaued finish as the standard-duty, but are longer lasting
- Each abrasive globule is attached to high density nylon filament to enhance durability
- Produces a controlled surface condition unobtainable by any other method
- A high percentage plateaued surface is produced free of cut, torn or folded metal
- Provides the perfect surface finish without distortion



Cat. No.	Size	Grit	Product Weight
2491	3-1/4 in - 3-1/2 in 82mm - 89mm	120	0.90 lb
2493DD	4 in - 4-1/2 in 101mm - 114mm	120	1.30 lb

### Exhaust and Tailpipe Cutter

- Cut pipes 3/4" to 3" and 19mm to 76mm in diameter
- Fifteen blades effectively cut pipe so only 1/4 turn is needed for a complete cut
- Serviceable tool works in hard-to-reach areas
- Will not cut double-wall pipes
- Keep well oiled
- Not for use on stainless steel



Cat. No.	Description	Chain Length	Overall Length	Fits Tool	Product Weight
2031DD	Exhaust and Tailpipe Cutter	13 in	-	-	1.16 lb
203182D	Replacement Cutting Chain	13 in	14.5 in	2031DD	0.32 lb

### Exhaust and Tailpipe Expander

- Flare, shape and expand tailpipes to ensure a tight fit and prevent exhaust leaks
- Turn handle to adjust the expander to the diameter of the pipe
- Pipe size 1-1/2" to 2-1/2" and 38mm to 63.5mm



Cat. No.	Size	Product Weight
2071D	1-13/16 in - 2-1/2 in	2.65 lb

### 4 Pc. Scraper Set

- Includes 4 flat scrapers
- Dual material handle offers a more comfortable grip and higher performance
- Oil and solvent resistant handle provides a longer tool life
- Black oxide coating to resist corrosion
- Square steel shaft



Cat. No.	Included Storage	Product Weight
84080	Tray	2.11 lb

Cat. No.	Description	Cat. No.	Description
84081	1/4" Wide Scraper	84083	1" Wide Scraper Long
84082	1/2" Wide Scraper	84084	1" Wide Scraper Short

### 2 Pc. Scraper Set

- Includes reverse and offset scrapers
- Dual material handle offers a more comfortable grip and higher performance
- Oil and solvent resistant handle provides a longer tool life
- Black oxide coating to resist corrosion
- Square steel shaft



Cat. No.	Included Storage	Product Weight
84070	Tray	1.15 lb

Cat. No.	Description
84071	1" Wide Reverse Scraper
84072	1" Wide Offset Scraper

### Offset Scraper

- Offset scraper
- Dual material handle offers a more comfortable grip and higher performance
- Oil and solvent resistant handle provides a longer tool life
- Black oxide coating to resist corrosion
- Square steel shaft



Cat. No.	Size	Product Weight
84072	1 in	0.540 lb

### 1/4" Wide Scraper

- Flat scraper blade
- Dual material handle offers a more comfortable grip and higher performance
- Oil and solvent resistant handle provides a longer tool life
- Black oxide coating to resist corrosion
- Square steel shaft



Cat. No.	Size	Product Weight
84081	1/4 in	0.330 lb

### 1/2" Wide Scraper

- Flat scraper blade
- Dual material handle offers a more comfortable grip and higher performance
- Oil and solvent resistant handle provides a longer tool life
- Black oxide coating to resist corrosion
- Square steel shaft



Cat. No.	Size	Product Weight
84082	1/2 in	0.380 lb

### 1" Wide Scraper Long

- Flat scraper blade
- Dual material handle offers a more comfortable grip and higher performance
- Oil and solvent resistant handle provides a longer tool life
- Black oxide coating to resist corrosion
- Square steel shaft



Cat. No.	Size	Product Weight
84083	1 in	0.395 lb

### 1" Knot-type Wire-End Brush

- Brush removes rust, carbon and paint from metal and other surfaces
- Designed for heavy-duty use and consists of industrial tempered straight twisted wire 0.020"
- Use with electric drills, pneumatic tools or flexible shaft equipment
- Face diameter: 1"
- Shank diameter: 1/4"
- Maximum safe free speed: 20,000 RPM



Cat. No.	Shaft Diameter	Face Diameter	Product Weight
2312DD	1/4 in	1 in	0.45 lb

### 2-1/2" Wire Cup Brush

- Brush removes light scale, rust and paint from surfaces
- Designed for light-duty use with 0.014" high carbon steel wire
- Use in electric drills or flexible shaft equipment



Cat. No.	Description	Product Weight
2314D	2-1/2" Wire Cup Brush	0.86 lb

### Curved Handle Wire Scratch Brush

- Clean carbon, dirt and paint from metal and other surfaces with this wooden-handle brush
- Approximately 14" overall length
- Bristle area: 3 x 19 rows, 1-1/8" trim and 6" long



Cat. No.	Handle Length	Overall Length	Product Weight
2310D	8 in	14 in	0.35 lb

### Shoe Handle Wire Scratch Brush

- Hardwood-handle brush cleans dirt, carbon and rust from metal and other surfaces
- Bristles are densely packed over 5-1/4"
- Approximately 10" overall length
- Bristle area: 4 x 16 rows and 1-1/8" trim



Cat. No.	Handle Length	Overall Length	Product Weight
2311D	4.75 cm	10 in	0.35 lb



### Parts Cleaning Brush

- Brush removes grease and dirt from automotive parts
- Strong handle with durable polypropylene bristles will hold up under repeated use in cleaning solvents



Cat. No.	Handle Length	Product Weight
242	6 in	0.20 lb

### Stainless Steel Brush

- Brush has hand-tied stainless steel tufts for cleaning corrosion from parts without scratching
- Brush size: 3/8" x 1-3/8"
- Handle length: 7"



Cat. No.	Handle Length	Product Weight
2309D	7 in	0.05 lb

### GM Transmission Oil Cooler Line Disconnect Tool

- Works on transmission oil cooler lines on: 1987-newer Olds Toronado, Buick Riviera and Reatta, Cadillac Eldorado, Seville and Concours; and 1989-newer GM 1/2", 3/4", and 1-ton pickups
- 5/16 lines only not for 3/8" found on 3/4 or 1 ton pick-up



Cat. No.	Fits Tool	Product Weight
3893D	41560	0.15 lb

### 5/16" Side Terminal Battery Wrench

- Use on 5/16" battery terminal bolts found on GM and many domestic vehicles
- Insulated vinyl grip handle to prevent electrical shock
- Reversible, ratcheting box wrench
- Satin chrome plated finish to resist corrosion
- Overall dimensions: 5-5/8" x 3/4"



Cat. No.	Size	Overall Length	Product Weight
3367	5/16 in	5.625 in	0.33 lb

### Battery Terminal Puller

- Use puller to remove the battery terminal clamp without damaging the battery post
- Works on corroded spring-type clamps
- Loosen the clamp bolt, place jaws under each side of the battery cable clamp and tighten the center screw until the clamp is free



Cat. No.	Size	Product Weight
202D	1/4 in - 1-1/8 in	0.50 lb

### Battery Terminal Spreader and Cleaner

- Clean and spread battery cable terminals
- Sharp teeth effectively clean corrosion from the clamp
- Squeeze the handle to spread the clamp



Cat. No.	Overall Length	Product Weight
204D	10 in	0.60 lb

### Battery Nut Pliers

- Loosen and tighten nuts on battery terminal clamps
- Offset handles ideal for working in cramped areas
- Serrated jaws provide a firm grip
- Bright, full polish chrome finish easily wipes clean and resists corrosion
- Comfort grip handles to reduce user hand fatigue



Cat. No.	Jaw Opening	Jaw Length	Jaw Width	Jaw Thickness	Jaw Capacity	Product Weight
203D	1.75 in	.5 in	.5 in	.375 in	1.75 in	0.45 lb

### Three-Way Battery Tool

- Sharp steel blades remove corrosion and put a correct angle on terminal clamps and posts
- Use the 6-Blade, tapered reamer to quickly clean terminal clamps
- Post cleaners are marked positive and negative, and are sized to accurately fit terminal posts and cut the correct angle
- Proper cleaning of terminals and posts ensures perfect contact



Cat. No.	Description	Product Weight
2173DD	Three-Way Battery Tool	0.15 lb

### Metal Battery Brush

- Durable metal brush to remove corrosion and dirt from battery terminals and cable clamps
- Rugged metal case has a long life
- External brush cleans cable clamps and the internal brush cleans terminal posts



Cat. No.	Size	Product Weight
206D	1-3/4 in	0.25 lb

### Plastic Battery Brush

- Removes corrosion and dirt from battery terminals and cable clamps
- High-impact, plastic case will not corrode or soften brush in cleaning solutions
- External brush cleans cable clamps and the internal brush cleans terminal posts



Cat. No.	Description	Product Weight
201D	Battery Brush	0.16 lb

### Battery Carrying Strap, Top Mount

- Carry top-terminal batteries with this strong, plastic strap
- Ends are marked and sized to accurately fit positive and negative terminals
- Not harmed by battery acid
- Overall length: 14"



Cat. No.	Overall Length	Product Weight
205D	14 in	0.25 lb

### Low-Voltage Circuit Tester

- Tests voltage in 6 and 12V systems by grounding the clip and touching the probe to the point being tested
- Tester bulb will light if power is present
- 4-1/2 foot lead length
- Replacement bulb part number 12675



Cat. No.	Description	Product Weight
129D	6 & 12 Volt Low Voltage Circuit Tester	0.43 lb

### Replacement Bulbs for Voltage Testers

- Replacement bulb for voltage testers



Cat. No.	Size	Fits Tool	Product Weight
12675	GE 1449	129D	0.01 lb

### Ignition Testers

- Accurately check for spark in ignition systems without removing spark plug from engine
- Testers verify that energy is sufficient for spark plug to fire
- Attach spark plug wire to tester end
- Clamp tester to engine as ground
- Crank engine and check for spark



Cat. No.	Description	Voltage	Product Weight
2757D	Standard Ignition Tester	40,000 volt systems 12KV	0.15 lb

### Distributor Clamp Wrench

- Reaches around obstructions to turn distributor lock
- Fits 1/2" and 9/16" lock nuts
- Use adapter to join wrenches or attach wrench to a 3/8" ratchet or extension



Cat. No.	Included Storage	Product Weight
104	None	0.60 lb

Cat. No.	Description
-	1/2" Distributor Clamp Wrench
-	9/16" Distributor Clamp Wrench
-	Distributor Clamp Coupler

### Electrical Wire Stripper and Crimper

- All purpose gripping, crimper, cutter and stripper pliers
- Serrated jaws on the nose provide greater gripping and twisting capabilities
- Professional, ergonomic dipped grips wipe clean easily
- Crimper works on insulated and non-insulated terminals
- Insulated electrical 22-20 to 12-10 AWG wires
- Non-insulated auto 7mm and 8mm and electrical 22-20 to 22-10 AWG sizes
- Bolt sizes 4-40, 5-40, 6-32, 8-32, 10-32 and 10-24



Cat. No.	Overall Length	Strips Wire Sizes, No.	Crimps Wire Sizes, No.	Cuts Bolt Sizes	Wire Crimper	Wire Size	Edge Type/Cut Capacity	Product Weight
2162D	8.25 in	Insulated 22-20 to 12-10 AWG Non-Insulated Electrical 22-20 to 22-10 AWG Non-Insulated Automotive 7mm - 8mm	Insulated 22-20 to 12-10 AWG Non-Insulated Electrical 22-20 to 22-10 AWG Non-Insulated Automotive 7mm - 8mm	4-40 5-40 6-32 8-32 10-24 10-32	Yes	Insulated 22-20 to 12-10	Standard	0.50 lb

### Spark Plug Terminal Pliers

- Safely removes spark plug cables preventing cable damage
- Coated jaws provide a secure grip on spark plug boot
- Provides greater access in confined spaces
- Comfort grip handles to reduce user hand fatigue
- Manufactured from durable alloy steel with black oxide coating



Cat. No.	Jaw Length	Jaw Width	Jaw Capacity	Product Weight
135D	.5 in	.5 in	1.25 in	0.53 lb

### 14mm and 18mm Spark Plug Open Thread Chaser

- Clean and restore spark plug threads with a 13/16" socket
- Rubber ring eliminates slipping
- Services most cars



Cat. No.	Size	Product Weight
730D	14mm 18mm	0.30 lb

### 5 Pc. Magnetic Swivel Spark Plug Socket Set

- Swivel design provides better access to hard to reach spark plugs
- Magnetic insert holds plug for removal and installation
- Rubber insert protects spark plug and centers the socket
- Designed for use with a 3/8" square drive tool
- Manufactured from alloy steel for better strength and longer tool life
- Bright, full polish chrome finish wipes easily clean to resist rust and corrosion



Cat. No.	Included Storage	Product Weight
80601	Blow Mold Case	3.190 lb

Cat. No.	Description	Cat. No.	Description
3931D	3/8" Drive 6 Point 2-1/2" Spark Plug Socket 9/16"	3928D	3/8" Drive 6 Point 6" Magnetic Swivel Spark Plug Socket 5/8"
3938D	3/8" Drive 6 Point 6" Magnetic Swivel Spark Plug Socket 9/16"	3929D	3/8" Drive 6 Point 11" Magnetic Swivel Spark Plug Socket 5/8"
3927D	3/8" Drive 6 Point 4" Magnetic Swivel Spark Plug Socket 5/8"		

### 3 Pc. Magnetic Swivel Spark Plug Set

- Long reach 5/8" magnetic swivel spark plug socket set
- Lengths of 4", 6", and 11"
- Swivel allows for reach past manifold
- Corrosion resistant finish
- Includes blow mold case for storage and organization



Cat. No.	Included Storage	Product Weight
41740D	Blow Mold Case	1.96 lb

Cat. No.	Description
3927D	3/8" Drive 6 Point 4" Magnetic Swivel Spark Plug Socket 5/8"
3928D	3/8" Drive 6 Point 6" Magnetic Swivel Spark Plug Socket 5/8"
3929D	3/8" Drive 6 Point 11" Magnetic Swivel Spark Plug Socket 5/8"

### 8 Pc. Long Hook & Pick Set

- 9" overall length for reach
- Blades are securely fixed in the handle so they do not twist during use
- Ergonomic tri-lobe dual material handle provides the optimal balance of strength and efficiency
- Oil and solvent resistant handle provides a longer tool life
- Full polish alloy steel blade prevents rust and corrosion
- Blades laser etched with part number for quick identification
- Includes tray for storage and organization
- Meets or exceeds ASME standards for performance and quality



Cat. No.	Included Storage	Product Weight
84010	Tray	1.12 lb

Cat. No.	Description	Cat. No.	Description
84011	Long Full Hook	84015	Long Complex Pick
84012	Long 90 Degree Pick	84016	Long Angle Hook Pick
84013	Long 45 Degree Pick	84017	Long Combination Pick
84014	Long Double Angle Pick	84018	Long Straight Pick

### 4 Pc. Heavy-Duty Long Hook & Pick Set

- 14" overall length for reach
- Blades are securely fixed in the handle so they do not twist during use
- Ergonomic tri-lobe dual material handle provides the optimal balance of strength and efficiency
- Oil and solvent resistant handle provides a longer tool life
- Full polish alloy steel blade prevents rust and corrosion
- Blades laser etched with part number for quick identification
- Includes tray for storage and organization
- Meets or exceeds ASME standards for performance and quality



Cat. No.	Included Storage	Product Weight
84020	Tray	2.14 lb

Cat. No.	Description	Cat. No.	Description
84021	Heavy-Duty Full Hook	84023	Heavy-Duty 90 degree Pick
84022	Heavy-Duty Straight Pick	84024	Heavy-Duty Combination Pick



### 7 Pc. Hook & Pick Set

- Variety of shapes to leverage or pull parts, springs, and cotter pins
- Access around wiring, hoses, and other engine bay obstacles
- Full polish alloy steel blade prevents rust and corrosion
- Ergonomic tri-lobe dual material handle provides the optimal balance of strength and efficiency
- Oil and solvent resistant handle provides a longer tool life
- Blades laser etched with part number for quick identification
- Meets or exceeds ASME standards for performance and quality



Cat. No.	Included Storage	Product Weight
84000D	Tray	1.56 lb

Cat. No.	Description	Cat. No.	Description
84001D	5" Cotter Pin Puller	84005	3-1/8" 90° Mini Hook
84002D	4" Hose Pick Puller	84006	3-1/8" Straight Mini Hook
84003D	4-1/2" Awl	84007	3-1/8" Mini Offset Hook
84004D	3-1/8" Mini Full Hook		

### 5 Pc. Hook and Pick Set

- 3-1/2" aluminum handle
- Includes the following heat-treated, high carbon steel picks: o-ring, 90°, straight and hook
- Use to pull o-rings, seals, cotter pins and brushes quickly and easily
- Magnet handle retrieves small ferrous metal parts easily
- Includes pouch for storage and organization



Cat. No.	Included Storage	Product Weight
3121D	Pouch	1.10 lb

Cat. No.	Description	Cat. No.	Description
-	Straight Pick	-	Hook Pick
-	90° Pick	-	Magnetic Screw on Handle
-	O-Ring Pick		

### 4 Pc. Mini Hook & Pick Set

- Variety of shapes to leverage or pull parts, springs, and cotter pins
- Access around wiring, hoses, and other engine bay obstacles
- Full polish alloy steel blade prevents rust and corrosion
- Ergonomic tri-lobe dual material handle provides the optimal balance of strength and efficiency
- Oil and solvent resistant handle provides a longer tool life
- Included in Set: Mini Full Hook, 90° Mini Hook, Mini Straight Hook, Mini Offset Hook
- Includes pouch for storage and organization
- Meets or exceeds ASME standards for performance and quality



Cat. No.	Included Storage	Product Weight
84040	Pouch	0.44 lb

Cat. No.	Description	Cat. No.	Description
84004D	3-1/8" Mini Full Hook	84006	3-1/8" Straight Mini Hook
84005	3-1/8" 90° Mini Hook	84007	3-1/8" Mini Offset Hook

### Long Full Hook

- 9" overall length for reach
- Use for hooking springs and retrieving nuts, washers and tools
- Blades are securely fixed in the handle so they do not twist during use
- Ergonomic tri-lobe dual material handle provides the optimal balance of strength and efficiency
- Oil and solvent resistant handle provides a longer tool life
- Full polish alloy steel blade prevents rust and corrosion
- Blades laser etched with part number for quick identification
- Meets or exceeds ASME standards for performance and quality



Cat. No.	Overall Length	Product Weight
84011	9 in	0.08 lb

### Long 90 Degree Pick

- 9" overall length for reach
- Use for removing seals, o-rings and removing dirt from grooves
- Blades are securely fixed in the handle so they do not twist during use
- Ergonomic tri-lobe dual material handle provides the optimal balance of strength and efficiency
- Oil and solvent resistant handle provides a longer tool life
- Full polish alloy steel blade prevents rust and corrosion
- Blades laser etched with part number for quick identification
- Meets or exceeds ASME standards for performance and quality



Cat. No.	Overall Length	Product Weight
84012	9 in	0.08 lb

### Long 45 Degree Pick

- 9" overall length for reach
- Use for removing seals, o-rings and removing dirt from grooves
- Blades are securely fixed in the handle so they do not twist during use
- Ergonomic tri-lobe dual material handle provides the optimal balance of strength and efficiency
- Oil and solvent resistant handle provides a longer tool life
- Full polish alloy steel blade prevents rust and corrosion
- Blades laser etched with part number for quick identification
- Meets or exceeds ASME standards for performance and quality



Cat. No.	Overall Length	Product Weight
84013	9 in	0.08 lb

### Long Double Angle Pick

- 9" overall length for reach
- Use for releasing clips, moving and pulling wires, removing seals and o-rings
- Blades are securely fixed in the handle so they do not twist during use
- Ergonomic tri-lobe dual material handle provides the optimal balance of strength and efficiency
- Oil and solvent resistant handle provides a longer tool life
- Full polish alloy steel blade prevents rust and corrosion
- Blades laser etched with part number for quick identification
- Meets or exceeds ASME standards for performance and quality



Cat. No.	Overall Length	Product Weight
84014	9 in	0.08 lb

### Long Complex Pick

- 9" overall length for reach
- Use for removing seals, o-rings and gaskets
- Blades are securely fixed in the handle so they do not twist during use
- Ergonomic tri-lobe dual material handle provides the optimal balance of strength and efficiency
- Oil and solvent resistant handle provides a longer tool life
- Full polish alloy steel blade prevents rust and corrosion
- Blades laser etched with part number for quick identification
- Meets or exceeds ASME standards for performance and quality



Cat. No.	Overall Length	Product Weight
84015	9 in	0.08 lb

### Long Angle Hook Pick

- 9" overall length for reach
- Use for removing seals, o-rings and gaskets
- Blades are securely fixed in the handle so they do not twist during use
- Ergonomic tri-lobe dual material handle provides the optimal balance of strength and efficiency
- Oil and solvent resistant handle provides a longer tool life
- Full polish alloy steel blade prevents rust and corrosion
- Blades laser etched with part number for quick identification
- Meets or exceeds ASME standards for performance and quality



Cat. No.	Overall Length	Product Weight
84016	9 in	0.08 lb

### Long Combination Pick

- 9" overall length for reach
- Use for removing seals, o-rings and gaskets
- Blades are securely fixed in the handle so they do not twist during use
- Ergonomic tri-lobe dual material handle provides the optimal balance of strength and efficiency
- Oil and solvent resistant handle provides a longer tool life
- Full polish alloy steel blade prevents rust and corrosion
- Blades laser etched with part number for quick identification
- Meets or exceeds ASME standards for performance and quality



Cat. No.	Overall Length	Product Weight
84017	9 in	0.08 lb

### Long Straight Pick

- 9" overall length for reach
- Use as scratch awl or hole punch
- Blades are securely fixed in the handle so they do not twist during use
- Ergonomic tri-lobe dual material handle provides the optimal balance of strength and efficiency
- Oil and solvent resistant handle provides a longer tool life
- Full polish alloy steel blade prevents rust and corrosion
- Blades laser etched with part number for quick identification
- Meets or exceeds ASME standards for performance and quality



Cat. No.	Overall Length	Product Weight
84018	9 in	0.08 lb

### Heavy-Duty Full Hook

- 14" overall length for reach
- Use for removing hoses, hooking lines and retrieving tools
- Blades are securely fixed in the handle so they do not twist during use
- Ergonomic tri-lobe dual material handle provides the optimal balance of strength and efficiency
- Oil and solvent resistant handle provides a longer tool life
- Full polish alloy steel blade prevents rust and corrosion
- Blades laser etched with part number for quick identification
- Meets or exceeds ASME standards for performance and quality



Cat. No.	Overall Length	Product Weight
84021	14 in	0.42 lb

### Heavy-Duty Straight Pick

- 14" overall length for reach
- Use as scratch awl or hole punch
- Blades are securely fixed in the handle so they do not twist during use
- Ergonomic tri-lobe dual material handle provides the optimal balance of strength and efficiency
- Oil and solvent resistant handle provides a longer tool life
- Full polish alloy steel blade prevents rust and corrosion
- Blades laser etched with part number for quick identification
- Meets or exceeds ASME standards for performance and quality



Cat. No.	Overall Length	Product Weight
84022	14 in	0.38 lb

### Heavy-Duty 90 degree Pick

- 14" overall length for reach
- Use for hose removal, prying apart components or removing dirt and debris from grooves
- Blades are securely fixed in the handle so they do not twist during use
- Ergonomic tri-lobe dual material handle provides the optimal balance of strength and efficiency
- Oil and solvent resistant handle provides a longer tool life
- Full polish alloy steel blade prevents rust and corrosion
- Blades laser etched with part number for quick identification
- Meets or exceeds ASME standards for performance and quality



Cat. No.	Overall Length	Product Weight
84023	14 in	0.40 lb

### Heavy-Duty Combination Pick

- 14" overall length for reach
- Use for removing seals, o-rings and gaskets
- Blades are securely fixed in the handle so they do not twist during use
- Ergonomic tri-lobe dual material handle provides the optimal balance of strength and efficiency
- Oil and solvent resistant handle provides a longer tool life
- Full polish alloy steel blade prevents rust and corrosion
- Blades laser etched with part number for quick identification
- Meets or exceeds ASME standards for performance and quality



Cat. No.	Overall Length	Product Weight
84024	14 in	0.40 lb

### 4" Hose Puller Pick

- 8" overall length for reach
- Use for removing springs clamps or other prying
- Blades are securely fixed in the handle so they do not twist during use
- Ergonomic tri-lobe dual material handle provides the optimal balance of strength and efficiency
- Oil and solvent resistant handle provides a longer tool life
- Full polish alloy steel blade prevents rust and corrosion
- Blades laser etched with part number for quick identification
- Meets or exceeds ASME standards for performance and quality



Cat. No.	Overall Length	Product Weight
84002D	8 in	0.22 lb

### 4-1/2" Awl

- 9.5" overall length for reach
- Use as scratch awl or hole punch
- Blades are securely fixed in the handle so they do not twist during use
- Ergonomic tri-lobe dual material handle provides the optimal balance of strength and efficiency
- Oil and solvent resistant handle provides a longer tool life
- Full polish alloy steel blade prevents rust and corrosion
- Blades laser etched with part number for quick identification
- Meets or exceeds ASME standards for performance and quality



Cat. No.	Overall Length	Product Weight
84003D	9.5 in	0.20 lb

### 5" Cotter Pin Puller

- 9.5" overall length for reach
- Use for seal pick and other general cleaning projects, including cotter pins
- Blades are securely fixed in the handle so they do not twist during use
- Ergonomic tri-lobe dual material handle provides the optimal balance of strength and efficiency
- Oil and solvent resistant handle provides a longer tool life
- Full polish alloy steel blade prevents rust and corrosion
- Blades laser etched with part number for quick identification
- Meets or exceeds ASME standards for performance and quality



Cat. No.	Overall Length	Product Weight
84001D	9.5 in	0.26 lb

### 3-1/8" Mini Full Hook

- 6.5" overall length for reach
- Use for hooking springs and other objects
- Small size for tight access areas
- Blades are securely fixed in the handle so they do not twist during use
- Ergonomic tri-lobe dual material handle provides the optimal balance of strength and efficiency
- Oil and solvent resistant handle provides a longer tool life
- Full polish alloy steel blade prevents rust and corrosion
- Blades laser etched with part number for quick identification
- Meets or exceeds ASME standards for performance and quality



Cat. No.	Overall Length	Product Weight
84004D	6.5 in	0.16 lb

### 3-1/8" 90° Mini Hook

- 6.5" overall length for reach
- Use for seal pick removal
- Small size for tight access areas
- Blades are securely fixed in the handle so they do not twist during use
- Ergonomic tri-lobe dual material handle provides the optimal balance of strength and efficiency
- Oil and solvent resistant handle provides a longer tool life
- Full polish alloy steel blade prevents rust and corrosion
- Blades laser etched with part number for quick identification
- Meets or exceeds ASME standards for performance and quality



Cat. No.	Overall Length	Product Weight
84005	6.5 in	0.07 lb

### 3-1/8" Straight Mini Hook

- 6.5" overall length for reach
- Use for hole punch or a mini scratch awl
- Small size for tight access areas
- Blades are securely fixed in the handle so they do not twist during use
- Ergonomic tri-lobe dual material handle provides the optimal balance of strength and efficiency
- Oil and solvent resistant handle provides a longer tool life
- Full polish alloy steel blade prevents rust and corrosion
- Blades laser etched with part number for quick identification
- Meets or exceeds ASME standards for performance and quality



Cat. No.	Overall Length	Product Weight
84006	6.5 in	0.07 lb



### 3-1/8" Mini Offset Hook

- 6.5" overall length for reach
- Use for seals and delicate cleaning applications
- Small size for tight access areas
- Blades are securely fixed in the handle so they do not twist during use
- Ergonomic tri-lobe dual material handle provides the optimal balance of strength and efficiency
- Oil and solvent resistant handle provides a longer tool life
- Full polish alloy steel blade prevents rust and corrosion
- Blades laser etched with part number for quick identification
- Meets or exceeds ASME standards for performance and quality



Cat. No.	Overall Length	Product Weight
84007	6.5 in	0.16 lb

### 4 Pc. Door Panel Remover Set

- Used to remove door panels without damage
- Designed for various types of clips
- Ergonomic tri-lobe dual material handle provides the optimal balance of strength and efficiency
- Oil and solvent resistant handle provides a longer tool life
- Square steel shaft
- Black oxide coating to resist corrosion



Cat. No.	Included Storage	Product Weight
84060	None	2.34 lb

Cat. No.	Description	Cat. No.	Description
84061	20" Door Panel Remover	84064	Door Panel Remover - V
84063	Door Panel Remover - Square	84065	Trim Pad Tool

### 20" Door Panel Remover

- Used to remove door panels without damage
- Designed for various types of clips
- Ergonomic tri-lobe dual material handle provides the optimal balance of strength and efficiency
- Oil and solvent resistant handle provides a longer tool life
- Square steel shaft
- Black oxide coating to resist corrosion



Cat. No.	Overall Length	Product Weight
84061	25 in	0.73 lb

### 10" Door Panel Remover U Shape

- Used to remove door panels without damage
- Designed for various types of clips
- Ergonomic tri-lobe dual material handle provides the optimal balance of strength and efficiency
- Oil and solvent resistant handle provides a longer tool life
- Square steel shaft
- Black oxide coating to resist corrosion



Cat. No.	Overall Length	Product Weight
84062	13.5 in	0.42 lb

### Door Panel Remover - Square

- Used to remove door panels without damage
- Works on various types of plastic fasteners that hold on weather stripping, radiator shrouds, fender linings, air dams and other plastic or rubber parts.
- Removes Professional push clips that are widely used for car panel, door trim, bumper and fender for GM Ford Toyota Nissan Chrysler Honda, etc.
- Ergonomic tri-lobe dual material handle provides the optimal balance of strength and efficiency
- Oil and solvent resistant handle provides a longer tool life
- Square steel shaft
- Black oxide coating to resist corrosion



Cat. No.	Overall Length	Product Weight
84063	9 in	0.85 lb

### Door Panel Remover - V

- Used to remove door panels without damage
- Designed for various types of clips
- Works on various types of plastic fasteners that hold on weather stripping, radiator shrouds, fender linings, air dams and other plastic or rubber parts.
- Ergonomic tri-lobe dual material handle provides the optimal balance of strength and efficiency
- Oil and solvent resistant handle provides a longer tool life
- Square steel shaft
- Black oxide coating to resist corrosion



Cat. No.	Overall Length	Product Weight
84064	9 in	0.45 lb

### Trim Pad Tool

- Used to remove trim pad without damage
- Designed for various types of clips
- Works on various types of plastic fasteners that hold on weather stripping, radiator shrouds, fender linings, air dams and other plastic or rubber parts.
- Oil and solvent resistant handle provides a longer tool life
- Square steel shaft
- Black oxide coating to resist corrosion



Cat. No.	Overall Length	Product Weight
84065	9 in	0.50 lb

### 3 Pc. Body Clip Set

- 30° and 80° offset push pin pliers
- Panel clip pliers with V design for removal of standard clips without center pins
- Lifts the center pin and pulls anchor in one simple step
- Fits into pin slots and under the center pin
- Tapered end for easy access
- Double cushion grip handle
- Quickly removes plastic anchors that have center pins without damage to pins or anchor



Cat. No.	Included Storage	Product Weight
41850	None	1 lb

Cat. No.	Description
3705	Panel Clip Pliers
3729	Push Pin Removal Pliers - 30°
3888D	Push Pin Pliers - 80°

### 2 Pc. Push Pin Pliers Set

- 30° and 80° offset push pin pliers
- Specially designed for removal of push pins With center locking pin
- Quickly removes plastic anchors that have center pins without damage to pins or anchor
- Lifts the center pin and pulls anchor in one simple step
- Anchors common on Honda, Toyota, GM, Ford, Chrysler and Many Other Late Model Vehicles
- Fits into pin slots and under the center pin
- Double Cushion Grip Handle



Cat. No.	Included Storage	Product Weight
41840D	None	0.90 lb

Cat. No.	Description
3729	Push Pin Removal Pliers - 30°
3888D	Push Pin Pliers - 80°

### Push Pin Removal Pliers - 30° Offset

- Specially designed for removal of push pins with center locking pin
- Quickly removes plastic anchors that have center pins without damage to pins or anchor
- Lifts the center pin and pulls anchor in one simple step
- Anchors common on Honda, Toyota, GM, Ford, Chrysler and Many Other Late Model Vehicles
- Fits into pin slots and under the center pin
- Tapered end for easy access and 30° offset



Cat. No.	Overall Length	Overall Length	Product Weight
3729	7.5 in	7.5 in	0.45 lb

### Push Pin Pliers - 80°

- Specially designed for removal of push pins With center locking pin
- Quickly removes plastic anchors that have center pins without damage to pins or anchor
- Lifts the center pin and pulls anchor in one simple step
- Anchors common on Honda, Toyota, GM, Ford, Chrysler and Many Other Late Model Vehicles
- Fits into pin slots and under the center pin
- Tapered end for easy access and 80° offset



Cat. No.	Overall Length	Overall Length	Product Weight
3888D	7.5 in	7.5 in	0.45 lb

### Panel Clip Pliers

- Features a unique two-step tip that provides better support under the clip head than conventional panel clip pliers
- Added support allows removal of panel clips without damaging the clip
- Double cushion-grip handle



Cat. No.	Overall Length	Overall Length	Product Weight
3705	9.75 in	9.75 in	0.57 lb

### 2 Pc. Hog Ring Pliers Set

- 6.5" overall length for reach
- Used for upholstery work on a variety of domestic and foreign cars
- 45° hog ring plier
- Straight hog ring plier
- Ideal for installation of hog ring fasteners
- Specially made to grip and mold hog rings for closure
- Spring loaded to hold hog ring in jaws during use
- Cushion grip handle helps reduce hand fatigue
- Maximum jaw opening 1"



Cat. No.	Included Storage	Product Weight
3702D	None	1.50 lb

Cat. No.	Description
3703D	Straight Hog Ring Pliers
3704D	45° Hog Ring Pliers

### Hog Ring Pliers Straight

- 6.5" overall length for reach
- Used for upholstery work on a variety of domestic and foreign cars
- Straight hog ring plier
- Ideal for installation of hog ring fasteners
- Specially made to grip and mold hog rings for closure
- Spring loaded to hold hog ring in jaws during use
- Cushion grip handle helps reduce hand fatigue
- Maximum jaw opening 1"



Cat. No.	Overall Length	Product Weight
3703D	6.5 in	0.75 lb

### Hog Ring Pliers 45 Degree

- 6.5" overall length for reach
- Used for upholstery work on a variety of domestic and foreign cars
- 45° hog ring plier
- Ideal for installation of hog ring fasteners
- Specially made to grip and mold hog rings for closure
- Spring loaded to hold hog ring in jaws during use
- Cushion grip handle helps reduce hand fatigue
- Maximum jaw opening 1"



Cat. No.	Overall Length	Product Weight
3704D	6.5 in	0.75 lb

### Window Moulding Remover

- Removes window moulding clips on GM and Ford vehicles
- Place jaw flat against glass
- Locate clips and roll them out with tip, keeping jaw flat to glass
- Strong handle for better control



Cat. No.	Overall Length	Product Weight
2038D	10 in	0.21 lb

### Mini Scraper

- Use for light scraping on wood, metal and glass
- Small size allows for scraping in confined areas
- Includes plastic sleeve handle for comfort
- Comes in convenient standard pack of 30 in countertop merchandiser
- Includes 1-1/2" blade



Cat. No.	Blade Width	Overall Length	Product Weight
3390	1.5 in	5 in	0.10 lb

### All-Purpose Scraper and Sticker Remover

- Remove inspection stickers, dealer price labels and paint from glass
- Tool locks into 3 operating positions to reach hard-to-get-at slanting windshields and uses single-edge razor blades
- Cutting edge folds into the handle for safe storage
- Includes 1-1/2" blade



Cat. No.	Blade Width	Overall Length	Product Weight
2106	1.5 in	11 in	0.29 lb

### Long Reach Scraper

- 7" long reach scraper is ideal for use where added extension is needed, such as deep recessed dash boards in mini-vans
- Contains two replacement blades, including one plastic blade which will not harm coated windows
- Replacement plastic blade available 352870



Cat. No.	Overall Length	Fits Tool	Product Weight
3528D	10 in	-	0.53 lb
352870	1 in	3528D	0.02 lb

### 7 Pc. Body Tool Set

- General body tool and dolly set for automotive repairs
- Hickory handles are flame treated for reliable strength
- Fine polished finish on the surface of the dollies
- Set includes both soft and cross faced striking surfaces
- Includes blow mold case for storage and organization



Cat. No.	Included Storage	Product Weight
82302	Blow Mold Case	12.35 lb

Cat. No.	Description	Cat. No.	Description
-	Smooth Faced Bumping Hammer W/ Square & Round Face	-	Toe Dolly
-	Smooth Faced Cross Chisel Hammer	-	Wedge Dolly
-	Crossed Face Shrinking Hammer	-	Heel Dolly
-	General Purpose Dolly		



### 15 Pc. Brake Service Set

- Kit works on both disc and drum brake systems
- Use to adjust clearance between drum brakes and shoe, remove and install shoe return springs and brake pads
- Heavy duty brake spreader can be used with either a 5/16" socket wrench or by hand
- Brake lining thickness gauge - color coded brake gauge identifies thickness levels for brake lining inspection
- Includes blow mold case for storage and organization



Cat. No.	Included Storage	Product Weight
41520	Blow Mold Case	5.98 lb

Cat. No.	Description	Cat. No.	Description
287D	Drum Brake Adjusting Tool	80421	3/8" Drive Hex Bit SAE Socket 3/8"
298D	12" Brake Spring Pliers	80428D	3/8" Drive Hex Bit Metric Socket 7mm
2774D	Universal Brake Shoe Retaining Spring Tool	80429	3/8" Drive Hex Bit Metric Socket 8mm
3163D	Disc Brake Piston Tool	80431	3/8" Drive Hex Bit Metric Socket 10mm
3355D	3/8" Drive GM & Ford Disc Brake Piston Tool	80451	3/8" Drive Torx® Bit Socket T40
3525D	Heavy-Duty Brake Pad Separator	80452	3/8" Drive Torx® Bit Socket T45
3962	Brake Lining Thickness	80454	3/8" Drive Torx® Bit Socket T50
80419	3/8" Drive Hex Bit SAE Socket 1/4"		

### 11 Pc. Rear Brake Caliper Set

- Designed for vehicles with brake pistons that are mechanically tied to the parking brake and require a turning action to push back
- Set covers most domestic and import vehicles
- Includes blow mold case for storage and organization



Cat. No.	Included Storage	Product Weight
41540	Blow Mold Case	5.14 lb

Cat. No.	Description	Cat. No.	Description
-	Applicator & Pad for Brake Tool	-	Adapter 5: 1-3/8", 2 Pin, 3/8" Drive
-	Adapter 0: 2-1/2", 1 Pin	-	Adapter 6: 1-5/8", 2 Pin (L)
-	Adapter 2: 2", 3 Pin	-	Adapter 7: 1-5/8", 2 Pin (S)
-	Adapter 3: 2-1/4" 3 Step	-	Adapter 8: 1-7/8", 1 Pin
-	Adapter 4: 1-1/4", 2 Pin	-	Adapter P: 2-1/4", 1 Pin

### Brake Spring Pliers

- Tool easily removes and installs shoe return springs on most drum brakes
- Socket end removes spring from anchor stud and notched end installs spring on anchor
- Bright, full polish chrome finish wipes easily clean to resist rust and corrosion



Cat. No.	Overall Length	Product Weight
298D	12 in	0.90 lb

### Drum Brake Adjusting Tool

- Tool adjusts clearance between drum brake and brake shoe
- Fits through a slot in the backing plate and turns the star wheel
- Ends of tool are offset for hard to reach area on small cars
- Offset end improves leverage for greater torque



Cat. No.	Description	Product Weight
287D	Drum Brake Adjusting Tool	0.25 lb

### Universal Brake Shoe Retaining Spring Tool

- Double-ended tool removes and installs small and large car drum brake retaining springs
- 5/8" to 11/16" and 11/16" to 7/8" diameter special sockets grip retaining washers
- Push and turn to remove or install



Cat. No.	Size	Product Weight
2774D	5/8 in - 11/16 in 11/16 in - 7/8 in	0.30 lb

### Disc Brake Piston Tool

- Designed to rotate the parking-brake-activated piston back into the caliper cylinder when replacing worn pads on vehicles equipped with 4-wheel disc brakes
- Tool functions on most domestic and import vehicles
- Caution: Not intended for use on power tools



Cat. No.	Drive Tang Size	Product Weight
3163D	3/8 in	0.20 lb

### GM-Ford Disc Brake Piston Tool

- Rotates piston back on GM and Ford vehicles equipped with rear wheel disc brakes
- Fits GM Vehicles with 2-1/8 and 1-7/8" pistons and Ford vehicles 1987 to current with rear disc brakes
- Designed for use with a 3/8" square drive tool
- Caution: For intended use only



Cat. No.	Drive Tang Size	Product Weight
3355D	3/8 in	0.20 lb

### Heavy Duty Brake Pad Separator

- Helps to move front disc brake pistons back into position while installing new brake shoes
- Works with most disc brake systems with single piston caliper
- Features heavy-duty center screw and pressure plate for extended use
- Use with a 1/2" wrench or socket
- Upgraded with a knob that allows for use with both a 5/16" socket wrench or by hand
- Heavy-duty plate to reduce bending
- Solid swivel foot will not collapse or crush under pressure
- Caution: Not intended for use on power tools



Cat. No.	Description	Product Weight
3525D	Heavy-Duty Brake Pad Separator	0.83 lb

### One-Man Brake Bleeder

- Attach bleeder to loosened bleeder screw and pump brake pedal until all air bubbles are removed from the hose
- Two adapters fit most bleeder screws and prevent leakage while keeping the hose in place
- Anti-suck back valve on end of hose



Cat. No.	Description	Product Weight
2538D	One-Man Brake Bleeder	0.80 lb

### Air Pump Brake Bleeder Tank

- Diaphragm-type bleeder for conventional and anti-lock brake systems allows for one-man operation
- Diaphragm keeps brake fluid and air separated
- Custom adaptors available for many makes and models
- Holds approximately 4 gallons
- Includes combination quick coupler plus automatic fluid shut-off
- Caution: For use with DOT 2, 3, 4 and 5 brake fluids only, not for use with any other brake/hydraulic fluids



Cat. No.	Description	Product Weight
3795D	Air Pump Brake Bleeder Tank	20.6 lb

### Hand Pump Brake Bleeder Tank

- Safe, portable tank fills and pressurizes standard and power brake systems
- Operates from hand pump pressure, eliminating the need for an air compressor
- Only a few pumps are needed to build pressure to 10 to 15 PSI
- Tank is serviceable and features quick disconnect coupler and shut-off valve that is used as a source for brake fluid when topping off master cylinders with brake bleeder adapter attached



Cat. No.	Description	Product Weight
2901D	Hand Pump Brake Bleeder Tank	5.50 lb
222273	Pressure Gauge for Brake Bleeder 2901D	0.35 lb
222276	Quick Disconnect Coupler for Brake Bleeder 2901D	0.03 lb
290171	O-Ring for Brake Bleeder 2901D	0.01 lb

### Brake Bleeder Adapter, 100 Series to 2100 Series

- Converts classic 2222 and classic 2901 brake bleeder tanks to new 37XX series master cylinder adapters
- Male insert to 4 ball bearing connector-flare in middle



Cat. No.	Description	Product Weight
37951	Brake Bleeder Tank Adapter Converts Classic 2222 to 3700 Series Master Cylinder Adapters	0.25 lb

### Brake Bleeder Adapter, 2100 Series to 100 Series

- Converts 3795D and 2901D brake bleeder tanks to classic KD brand master cylinder adapters
- Male insert to 6 ball bearing connector-flare on the top



Cat. No.	Description	Product Weight
37952	Brake Bleeder Tank Adapter Converts New 3795D Brake Bleeder to Classic Master Cylinder Adapters	0.24 lb

### Dual Bleeding Attachment

- For pressurizing brake systems when bleeding dual round top reservoirs
- Features quick disconnect fittings for fast setup
- Use with 3795D and 2901D brake bleeding tanks



Cat. No.	Description	Product Weight
3787	Dual Bleeding Attachment for Brake Bleeders 2901D & 3795D	0.93 lb

### Universal Adapter 3.25" Diameter

- Pressurize brake systems on many applications across many makes
- Use With 3-1/2" round reservoirs
- Use with 3795D and 2901D brake bleeding tanks
- Requires brake bleeder adaptor 37951



Cat. No.	Description	Product Weight
3788	Universal Round Adapter 3-1/4" for Brake Bleeders 2901D & 3795D	0.97 lb

### Universal Adapter 3.75" X 7.75"

- Pressurize brake systems on many applications across many makes
- Use with rectangular reservoirs under 3.75" X 7.75" common on trucks and full sized vehicles
- Adapter for use with 3795D and 2901D brake bleeding tanks
- Requires brake bleeder adaptor 37951



Cat. No.	Description	Product Weight
3789	Universal Adapter 3-3/4" x 7-3/4" for Brake Bleeders 2901d & 3795D	3.86 lb

### Universal Round Adapter 4-1/8"

- Pressurize brake systems on many applications across many makes
- Use with 4-1/8" round reservoirs
- Adapter for use with 3795D and 2901D brake bleeding tanks
- Requires brake bleeder adaptor 37951



Cat. No.	Description	Product Weight
3790D	Universal Round Adapter 4-1/8" for Brake Bleeders 2901D & 3795D	2.23 lb

### GM Bypass Adapter

- Pressurizes brake systems on most GM applications
- Adapter for use with 3795D and 2901D brake bleeding tanks
- Requires brake bleeder adaptor 37951
- Caution: For intended use only



Cat. No.	Description	Product Weight
3796	GM Bypass Adapter for Brake Bleeders 2901D & 3795D	1.18 lb

### 12 Pc. Tubing Service Set

- For tubing service
- Broad tubing application including double flare, bend, cut, ream, and deburr
- Includes adapter sizes: 3/16 in 1/4 in 5/16 in 3/8 in 7/16 in 1/2 in 5/8 in
- Includes blow mold case for storage and organization



Cat. No.	Included Storage	Product Weight
41590D	Blow Mold Case	3.70 lb

Cat. No.	Description	Cat. No.	Description
2189D	3/16", 1/4", 5/16" & 3/8" Tubing Bender Pliers	41594	7 Pc. Adapter Kit
2107D	Mini Tubing Cutter	41595	Holding Bar
3905D	Deburring Tool	41596	Yoke

### 18 Pc. Combined Double/Bubble Flaring Tool Kit

- Complete double and bubble flaring tool assortment
- Slots on yoke firmly engage with bar assembly
- Includes corresponding adapters for forming double flares
- Forged alloy steel and hardened
- Precisely flares tubing up to 0.040" wall thickness to SAE/metric 45° flares
- Hardened bar assembly clamps 11 tubing sizes: 3/16 in 1/4 in 5/16 in 3/8 in 1/2 in 4mm 4.7mm 6mm 8mm 10mm
- Includes blow mold case for storage and organization



Cat. No.	Included Storage	Product Weight
41880D	Blow Mold Case	7.35 lb

Cat. No.	Description	Cat. No.	Description
2107D	Mini Tubing Cutter	3905D	Deburring Tool
41593	10 Pc. Double Flaring Adapter Set	41592	SAE/Metric Bar Assembly
41599	4 Pc. Adapter Kit	41597	Universal Yoke

### 10 Pc. Double Flaring Tool Kit

- Complete double flaring tool assortment
- Slots on yoke firmly engage with bar assembly
- Includes corresponding adapters for forming double flares
- Precisely flares tubing up to 0.040" wall thickness to SAE 45° Flares
- Hardened bar assembly clamps 7 tubing sizes: 3/16 in 1/4 in 5/16 in 3/8 in 7/16 in 5/8 in and 1/2 in
- Do not use on stainless steel tubing
- Includes blow mold case for storage and organization



Cat. No.	Included Storage	Product Weight
41860	Blow Mold Case	4.05 lb

Cat. No.	Description	Cat. No.	Description
3905D	Deburring Tool	41595	Holding Bar
41594	7 Pc. Adapter Kit	41597	Universal Yoke

### 7 Pc. Bubble Flaring Tool Kit

- Complete bubble flaring tool assortment
- Slots on yoke firmly engage with bar assembly
- Includes corresponding adapters for forming double flares
- Precisely flares tubing up to 0.040" wall thickness to metric 45° flares
- Hardened bar assembly clamps 4 tubing sizes: 4.7mm 6mm 8mm 10mm
- Do not use on stainless steel tubing
- Includes blow mold case for storage and organization



Cat. No.	Included Storage	Product Weight
41870	Blow Mold Case	4.35 lb

Cat. No.	Description	Cat. No.	Description
3905D	Deburring Tool	41598D	Holding Bar
41599	4 Pc. Adapter Kit	41597	Universal Yoke



### Dual SAE and Metric Bar Assembly

- Dual SAE and metric bar assembly
- Clamps 11 tubing sizes
- Use with 3/16 in 1/4 in 5/16 in 3/8 in 7/16 in 5/8 in 1/2 in 4.7mm 6mm 8mm 10mm size tubing
- Hardened bar assembly



Cat. No.	Fits Tool	Fastener Size	Product Weight
41592	41880D	3/16 in 1/4 in 5/16 in 3/8 in 7/16 in 5/8 in 1/2 in 4.7mm 6mm 8mm 10 mm	1.400 lb

### 10 Pc. Double Flaring Adapter Set

- 10 Pc. Double Flaring Adapter Set
- For use with yoke to form flares
- Includes 3/16 in 1/4 in 5/16 in 3/8 in 7/16 in 1/2 in 4.7mm 6mm 8mm 10mm double flaring adapters



Cat. No.	Included Storage	Product Weight
41593	None	0.315 lb

Cat. No.	Description	Cat. No.	Description
-	3/16" Double Flaring Adapter	-	1/2" Double Flaring Adapter
-	1/4" Double Flaring Adapter	-	4.7mm Double Flaring Adapter
-	5/16" Double Flaring Adapter	-	6mm Double Flaring Adapter
-	3/8" Double Flaring Adapter	-	8mm Double Flaring Adapter
-	7/16" Double Flaring Adapter	-	10mm Double Flaring Adapter

### Mini Tubing Cutter

- Cut thin-wall steel, plastic, copper and brass tubing From 1/8" to 5/8" in diameter
- Two rollers provide burr-free cut
- Small size allows cutter to fit into tight areas
- Outstanding for cutting brake lines



Cat. No.	Jaw Opening	Product Weight
2107D	.125 in - .625 in	0.21 lb

### Tubing Bender

- Bend 3/16", 1/4", 5/16", and 3/8" diameter tubing without kinking
- Heavy-duty construction provides years of service



Cat. No.	Size	Product Weight
2517D	.1875 in .25 in .3125 in .375 in	0.60 lb

### Tubing Bender Pliers

- Bend 3/16", 1/4", 5/16" and 3/8" copper and steel tubing
- Tool makes tight bends without the tube collapsing
- Roller adapters are included for each tubing size
- Place tubing between the adapter and studs and squeeze the handles to bend



Cat. No.	Size	Product Weight
2189D	.1875 in .25 in .3125 in .375 in	1.17 lb

### Deburring Tool

- Deburring tool for removing rough edges for better flaring tube fit
- Durable steel blade



Cat. No.	Description	Product Weight
3905D	Deburring Tool	0.15 lb

### Brake Cylinder Hone

- Tool hones drum brake wheel cylinders and disc brake calipers from 3/4" to 2-1/2" and 19mm to 64mm in diameter
- Sleeve makes insertion in cylinder easy and protects stones when not in use
- Use with a variable-speed drill
- Use 2004D stone set for disc brake honing and 266 for drum Brake Honing



Cat. No.	Size	Fits Tool	Product Weight
265D	3/4 in - 2-1/2 in 19mm - 64mm	2004D 266	0.25 lb

### Economy Brake and Engine Cylinder Hone Set

- Multi-purpose set includes 3 complete cylinder hones plus one set of 2" medium grit stones 302975
- 3 arm brake, master and wheel cylinder hone 3/4" to 2-1/2" capacity
- 2 arm small car brake wheel cylinder hone 1/2" to 1-3/4" capacity
- 3 arm disc brake caliper honing 1-1/4" to 3-1/2" capacity
- 3-arm disc is ideal for lawn and garden small-engine cylinder honing when used with the included set of 2" stones



Cat. No.	Included Storage	Product Weight
3029	None	0.60 lb

Description	Product Name	Capacity	Size	Grit
2 Arm	Small Car Brake Wheel Cylinder Hone	1/2" - 1-3/4"	1-1/8"	Medium
3 Arm	Brake, Master & Wheel Cylinder Hone	3/4" - 2-1/2"	1-1/8"	Medium
3 Arm	Disc Brake Caliper Hone Lawn & Garden Small Engine Cylinder Hone	1-1/4" - 3-1/2"	3/4" 2"	Medium

### Cylinder Hone Replacement Stones

- 3 peice replacement stone set



Cat. No.	Description	Size	Grit	Fits Tool	Product Weight
2004D	Disc Brake Cylinder Honing Stones	3/4 in	400	265D	0.32 lb
266	Drum Brake Cylinder Honing Stones	1-1/8 in	320	265D	0.23 lb
302975	Brake & Engine Cylinder Hone Stones	2 in	Medium	3029	0.11 lb

### Brake Lining Thickness Gauge

- Color coded brake gauge identifies thickness levels for brake lining inspection
- All steel construction
- Gauges fastened together for ease of use
- Green 8mm (.315") 10mm (.393") 12mm (.472")
- Yellow 4mm (.157") 5mm (.196") 6mm (.236")
- Red 2mm (.078") 3mm (.118")



Cat. No.	Product Weight
3962	0.58 lb

Description	Description	Description
Green 12mm/.472"	Yellow 6mm/.236"	Red 3mm/.118"
Green 10mm/.393"	Yellow 5mm/.196"	Red 2mm/.078"
Green 8mm/.315"	Yellow 4mm/.157"	

### Disc Brake Lining Wear Gauge

- Gauge measures brake lining remaining on bonded pads in 1/32" graduations
- Tool checks measurement without removing caliper
- Insert tips between the edge of the rotor and steel back up plates on the disc pads
- Measures from 1/8" to 3/4" and 3.1mm to 19mm
- Caution: Not for use on disc brake pads with riveted lining



Cat. No.	Size	Overall Length	Overall Width	Overall Height	Product Weight
2116D	1/8 in - 3/4 in	6.25 in	5 in	.125 in	0.20 lb

### Brake Lining Gauge, Wide Band

- Measures bonded brake lining from 0 to 1/2" in 1/64" graduations
- Place gauge over brake shoe to take reading
- For use with larger hard to remove oil filters
- For use with a 1/2 inch square drive tools
- Designed for the high torque requirements of truck filters



Cat. No.	Drive Tang Size	Size	Product Weight
2324D	1/2 in	0 in - 1/2 in	0.35 lb

### Brake Resetting Gauge

- Used to set the proper clearance between brake lining and drum prior to assembly
- Inside calipers measure drum diameters and outside calipers transfer measurement to brake shoes
- Knurled knob locks tool at measurement
- Diameter range: 6-1/2" to 14-1/4"
- Calibrated in 1/32" (1mm) increments



Cat. No.	Size	Product Weight
3377	6-1/2 in - 14-1/4 in	1.50 lb

### 6" Digital Caliper with Large LCD window

- LCD displays up to 5 digits
- Glass window over LCD is clearer and does not wear out
- Color coded off, on/zero and SAE/metric
- Stainless steel frame with hardened jaws, graduated
- Scale and thumb roll
- 4 way measurement, inside, outside, depth & step
- Resolution/repeatability 0.001" X 0.01mm
- Data output unterface
- Fitted in a plastic box



Cat. No.	Description	Product Weight
3756D	6" Digital Caliper with Large LCD window	0.76 lb

### Dial Indicator Set with On/Off Stand

- English dial gauge range: 0-1.3", gradations: 0.001"
- Centered v-magnet for strongest grip on round or flat surfaces
- Powerful 130 lb pull
- Two magnetic mounting surfaces: bottom and back
- Swivel adapter to mount all AGD dial indicators with lug backs
- Universal dovetail clamp for dial test indicators
- On/off Switch
- Center rod 1/2" diameter x 7" high



Cat. No.	Description	Product Weight
3761	Dial Indicator Set with on/off Stand	4.64 lb

### Electronic Digital Rotor Micrometer

- Manual power on/off
- 0"-1.3" and 0mm-76mm Grad. 0.001"
- 3-1/2" deep throat
- SAE/metric system interchange at any position
- Zero setting at any position
- Data output interface
- Measures thickness of inside groves
- Includes blow mold case for storage and organization



Cat. No.	Description	Product Weight
3763	Electronic Digital Rotor Micrometer	3.72 lb

### Digital Brake Rotor Gauge

- 0" to 6"
- Manual power on/off
- SAE/metric system interchange at any position
- Zero setting at any position
- Data output interface
- Measure wear dimension of the brake rotors
- Resolution/repeatability 0.0005" x 0.01mm
- Includes plastic case for storage and organization



Cat. No.	Description	Product Weight
3774D	6" Digital SAE/Metric Brake Rotor Gauge	1.01 lb

### Digital Brake Drum Gauge

- 3" to 16"
- Preset at 1-1/2" depth with indicators for 0.5" and 1"
- Manual power on/off
- SAE/metric system interchange at any position
- Zero setting at any position
- Data output interface
- Measure wear dimension of the brake drum
- Resolution/repeatability 0.0005" X 0.01mm
- Includes plastic case for storage and organization



Cat. No.	Description	Product Weight
3777	10" Digital SAE/Metric Brake Drum Gauge	4.06 lb

### Angle Finder with Magnetic Base

- Use finder to measure angles of most parts such as frame angle for setting truck front ends
- Forward or backward pitch
- Magnet in the base holds tool in place
- Graduated in 1/2° increments



Cat. No.	Measuring Range	Product Weight
2968D	0° - 360°	0.80 lb

### 7 Pc. Axle Nut Set

- Ideal for removing and installing axle nuts during heavy-duty applications
- Deep socket style
- Designed for use with a 1/2" square drive tool
- 6-point metric sockets
- Use with a ratchet, breaker bar, impact wrench or torque wrench
- Includes blow mold case for storage and organization



Cat. No.	Included Storage	Product Weight
41650	Blow Mold Case	12.39 lb

Cat. No.	Description	Cat. No.	Description
3907D	1/2" Drive 6 Point Deep Axle Nut Socket GM & Ford 29mm	3908D	1/2" Drive 6 Point Deep Axle Nut Socket GM 35mm
3161D	1/2" Drive 6 Point Deep Axle Nut Socket GM 30mm	3162D	1/2" Drive 6 Point Deep Axle Nut Socket GM 36mm
3270D	1/2" Drive 6 Point Deep Axle Nut Socket Honda & Chrysler 32mm	3909D	1/2" Drive 6 Point Deep Axle Nut Socket GM & Ford 38mm
3449D	1/2" Drive 6 Point Deep Axle Nut Socket GM 34mm		

### Axle Nut Sockets

- Perfect for removing and installing axle nuts during heavy-duty applications
- Extra long socket offers more access
- Designed for use with a 1/2" square drive tool
- 6 point metric sockets
- Black oxide coating to resist corrosion
- Overall length of 3-1/2"



Cat. No.	Drive Tang Size	Drive Type	Size	Overall Length	Model	Product Weight
3907D	1/2 in	Square	29mm	3.5 in	GM & Ford	0.80 lb
3161D	1/2 in	Square	30mm	3.5 in	GM	1.25 lb
3270D	1/2 in	Square	32mm	3.5 in	Honda & Chrysler	1.45 lb
3449D	1/2 in	Square	34mm	3.5 in	GM	1.55 lb
3908D	1/2 in	Square	35mm	3.5 in	GM	1.76 lb
3162D	1/2 in	Square	36mm	3.5 in	GM	2.05 lb
3909D	1/2 in	Square	38mm	3.5 in	GM & Ford	2.22 lb

### 6 Pc. Spindle Nut Set

- 6 chrome vanadium steel 1/2" drive sockets are for most 4WD SUV's and light truck axle locknut applications
- Use with a torque wrench, ratchet, or breaker bar
- Large 4WD spindle puller 3910D (shown third from left) but is no longer available individually
- 2467 - 4-lug socket for removing and installing 4-Slot front axle locknuts on 1986-newer F-series 1/2-ton trucks, full-size Bronco with Dana 44 axle, 1984-92 Ford Ranger, and Bronco II with manual hubs and Dodge trucks
- 3937 - 4-lug socket for removing and installing 4-slot front axle locknuts on 1993-newer Ford Ranger, Bronco II, and Explorer with manual hubs; 1995-newer F-series 1/2-, 3/4-, and 1-ton trucks and full-size Bronco with manual hubs; 1959-85 F-series 1/2- and 3/4-ton trucks and full-size Bronco; 1960-90 GM 1/2-ton trucks and full-size Blazer/Jimmy; 1969-72 International 1/2-Ton trucks; 1969-89 Dodge 1/2-ton trucks with manual hubs
- 2770D - 6-lug socket for removing and installing 4-slot front axle locknuts on 1978-84 Ford F-series 4WD heavy-duty 3/4- and 1-ton trucks; 1973-81 GM 4WD 3/4- and 1-ton trucks
- 3195 - Ford 4-lug locknut socket for high-shear rotating nuts on 1985-newer F-250 and F-350 truck rear axles, and Dana 80 rear axles of Ford Super Duty trucks
- 3911D - Toyota 4-lug locknut socket; services high-torque locknuts on Toyota 4WD vehicles having free-wheel (lock out) hubs; 1995 - newer Tacoma; 1996-newer T100 and 4Runner; not for 2-wheel drive vehicles
- 3910D - Removes front spindle to access needle bearing when lubricating and aligning front wheels; 5/8"-18 fine thread permits use with slide hammer; fits spindle thread sizes 2"-16, 1"-5/8"-16, and 38mm-15; full-size GM, Ford, and Jeep with Dana front axles
- Includes blow mold case for storage and organization



Cat. No.	Included Storage	Product Weight
41660D	Blow Mold Case	13.48 lb

Cat. No.	Description	Cat. No.	Description
3195D	4-Lug Socket with Extension	3937	4-Lug 4WD Spindle Nut Socket
3910D	4WD Spindle Puller	2467	1/2" Drive 4-Lug 4WD Spindle Nut Socket 1/2 to 3/4 Ton Dana 44
3911D	Toyota Lock Nut Tool	2770D	1/2" Drive 6-Lug 4WD Spindle Nut Socket 3/4 to 1 Ton Dana 44



### 4-Wheel-Drive Spindle Nut Wrench

- Removes spindle nuts on 4-wheel drive vehicles
- Uniquely designed lugs for maximum strength
- Designed for use with a 1/2" square drive tool
- Works on Ford vehicles with ratcheting type lock nuts on front axle
- Caution: Not intended for use on power tools



Cat. No.	Drive Tang Size	Model	Product Weight
2467	1/2 in	1/2 to 3/4 Ton Dana 44	1.35 lb
2770D	1/2 in	1 Ton Dana 44	1.50 lb
3246D	1/2 in	Dana Axle or Dana 50IFS	1.80 lb

### Toyota Lock Nut Tool

- Toyota 4-lug locknut socket
- Services high-torque locknuts on Toyota 4wd vehicles having free-wheel lock out hubs: 1995-newer Tacoma; 1996-newer T100 and 4Runner
- Designed for use with a 1/2" square drive tool
- Not for 2WD vehicles
- 2-1/2" center diameter, 1/4" deep
- 1.73" top pin to top pin
- Caution: Not intended for use on power tools



Cat. No.	Drive Tang Size	Model	Product Weight
3911D	1/2 in	Toyota	0.80 lb

### 4-Lug 4WD Spindle Nut Socket 1/2" Drive

- 55mm internal x 65 mm external
- 4-lug socket for removing and installing 4-slot front axle locknuts on 1993-newer Ford Ranger, Bronco II, and Explorer with manual hubs; 1995-newer F-Series 1/2-, 3/4-, and 1-ton trucks and full-size Bronco with manual hubs; 1959-85 F-series 1/2- and 3/4-ton trucks and full-size Bronco; 1960-90 GM 1/2-ton trucks and full-size Blazer/Jimmy; 1969-72 International 1/2-ton Trucks; 1969-89 Dodge 1/2-ton trucks with manual hubs
- Designed for use with a 1/2" square drive tool
- Overall length 3.215 in
- Caution: Not intended for use on power tools



Cat. No.	Drive Tang Size	Size	Model	Overall Length	Product Weight
3937	1/2 in	55mm Internal x 65 mm External	Ford	3.215 in	1.02 lb

### Ford Spindle Nut Wrench

- Specially designed wrench removes Ford high-shear ratcheting locknut on popular F250/350 series trucks
- Includes a centering snout to help locate special axle nut and uniquely designed lugs for maximum strength
- Designed for use with a 1/2" square drive tool
- Use on 1985 and newer Ford F250-350 with Dana 80 rear axle, and 10 1/4" ring gear, 1987 E350 and newer with Dana 80 rear axle and 10 1/4" ring gear, 1988 and newer F Super Duty with Dana 80 rear axle and 10 1/4" ring gear
- Overall length 3-1/2 in
- Caution: Not intended for use on power tools



Cat. No.	Drive Tang Size	Model	Product Weight
3195D	1/2 in	Ford	2.03 lb

### 10 Pc. Bearing Race and Seal Set

- Install tapered bearing races and seals without damage to the component or housing
- Includes a driver handle plus 9 popular bearing and seal drivers ranging from 1.565" to 3.180"
- Includes blow mold case for storage and organization



Cat. No.	Included Storage	Product Weight
41630D	Blow Mold Case	4.74 lb

Cat. No.	Description	Cat. No.	Description
41631D	Driver Handle	41636D	2.470" Driver
41632	1.565" Driver	41637	2.555" Driver
41633	1.750" Driver	41638	2.830" Driver
41634	1.961" Driver	41639	2.995" Driver
41635	2.325" Driver	41640	3.180" Driver

### Hand Bearing Packer

- Self-contained bearing packer saves time and can be used anywhere
- No air line or grease gun required
- Packs 50 to 60 bearings without refilling
- Transparent, impact resistant cup allows grease level check
- Use on all cage-type roller and ball bearings up to 2" bore



Cat. No.	Description	Product Weight
2775D	Hand Bearing Packer	0.90 lb

### Wheel Weight Tool

- Installs, removes, trims and tightens all types of clip-on wheel weights
- Features a special plastic-type material on the hammer head for safe, mar-free installation of specially coated wheel weights used on alloy wheels
- Plastisol-dipped handle for comfort
- Replacement plastic tip 335804
- Caution: For intended use only



Cat. No.	Description	Product Weight
3358	Wheel Weight Tool	1.10 lb
335804	Replacement Plastic Tip for Wheel Weight Tool 3358	0.23 lb

### 8 Pc. SAE/Metric Stud Removal Set

- SAE and metric stud remover set
- Designed and tested to reach studs in difficult work areas
- Includes four popular SAE sizes
- Includes four popular metric sizes
- Includes blow mold case for storage and organization



Cat. No.	Included Storage	Product Weight
41760D	Blow Mold Case	2.55 lb

Cat. No.	Description	Cat. No.	Description
41761	3/8" Drive Stud Removal Socket 6mm	41768D	3/8" Drive Stud Removal Socket 1/4"
41762D	3/8" Drive Stud Removal Socket 8mm	41767D	3/8" Drive Stud Removal Socket 5/16"
41763D	1/2" Drive Stud Removal Socket 10mm	41765	1/2" Drive Stud Removal Socket 3/8"
41764	1/2" Drive Stud Removal Socket 12mm	41766	1/2" Drive Stud Removal Socket 7/16"

### Stud Removal Sockets

- Designed and tested to reach studs in difficult work areas
- Manufactured from alloy steel for better strength and longer tool life
- Corrosion resistant finish
- Designed for use with a square drive tool



Cat. No.	Drive Tang Size	Size	Overall Length	Product Weight
41761	3/8 in	6mm	1.765 in	0.15 lb
41762D	3/8 in	8mm	1.77 in	0.15 lb
41763D	1/2 in	10mm	1.96 in	0.15 lb
41764	1/2 in	12mm	1.96 in	0.15 lb
41765	1/2 in	3/8 in	1.965 in	0.15 lb
41766	1/2 in	7/16 in	1.965 in	0.15 lb
41767D	3/8 in	5/16 in	1.76 in	0.15 lb
41768D	3/8 in	1/4 in	1.77 in	0.15 lb

### Universal Nut Cracker

- Splits stubborn nuts in 7/16" - 3/4" and 11mm - 19mm sizes across their flats
- Works in channels not accessible to other, larger tools
- Parallel action of pusher cracks nuts without damaging bolt threads
- Chisel rotates through 360° to line up parallel to the bolt
- Simply tighten the screw until the nut splits
- Rugged drop-forged frame provides professional strength
- Not for use on heat-treated nuts
- Tools total length is 6-3/4"
- Dependable tool for heavy-duty use



Cat. No.	Size	Overall Length	Product Weight
715D	7/16 in - 3/4 in 11mm - 19mm	6-3/4 in	1.50 lb

### 6 Pc. 3/8" Drive Impact Driver Set

- Free frozen bolts and screws by twisting the tool in the direction of the rotation and holding while striking with a hammer
- Reverse action to tighten bolts
- Set is standard 3/8" square drive and includes a 3/8" square drive adapter for 5/16" hex bits
- Four-bit set includes Phillips® #2 #3 Slotted 6 & 8 and 8 & 10



Cat. No.	Included Storage	Product Weight
1140D	Blow Mold Case	1.53 lb

Cat. No.	Description	Cat. No.	Description
-	3/8" Drive Impact Driver	412403	#3 Phillips® Insert Bit
-	Bit Holder	412406	Slotted Sizes 6 & 8 Insert Bit
412402	#2 Phillips® Insert Bit	412410	Slotted Sizes 8 & 10 Insert Bit

### Stud Extractor

- Removes 1/4" - 3/4" and 6mm - 19mm studs
- Cam wheel grips within 9/32" of flat surface to hold stud
- Drive socket will not bind
- Designed for use with a 1/2" square drive tool



Cat. No.	Drive Tang Size	Size	Product Weight
1708DD	1/2 in	1/4 in - 3/4 in 6mm - 19mm	0.85 lb

### 11 Pc. Brake Caliper Bit Socket Set

- Includes most popular sizes for domestic and import vehicles
- Bright, full polish chrome finish wipes easily clean to resist rust and corrosion
- Press fit S2 steel insert bits
- Large hard stamped size identification



Cat. No.	Included Storage	Product Weight
88910	Socket Rail	1.470 lb

Cat. No.	Description	Cat. No.	Description
80419	3/8" Drive Hex Bit SAE Socket 1/4"	80451	3/8" Drive Torx® Bit Socket T40
80420	3/8" Drive Hex Bit SAE Socket 5/16"	80452	3/8" Drive Torx® Bit Socket T45
80421	3/8" Drive Hex Bit SAE Socket 3/8"	80453	3/8" Drive Torx® Bit Socket T47
80428D	3/8" Drive Hex Bit Metric Socket 7mm	80454	3/8" Drive Torx® Bit Socket T50
80429	3/8" Drive Hex Bit Metric Socket 8mm	80455	3/8" Drive Torx® Bit Socket T55
80431	3/8" Drive Hex Bit Metric Socket 10mm		

### Pro Swivoil™ Filter Wrench

- 180° swivel action
- Dual material handle provides greater comfort and better gripping force
- Stainless and plated steel material band for corrosion resistance
- Dimpled for extra gripping power
- Specially designed to fit today's oil filters



Cat. No.	Size	Fastener Size	Product Weight
3941	Small	2.52 in - 2.99 in 64mm - 76 mm	1.20 lb
3942	Medium	2.87 in - 3.27 in 73mm - 83 mm	1.30 lb
3943	Large	3.50 in - 3.90 in 89mm - 99 mm	1.30 lb
3944	Extra Large	3.78 in - 4.37 in 96mm - 111 mm	1.40 lb

### Swivoil™ Filter Wrench

- Wrenches are made of high-quality steel with a zinc-plated yoke and a blackened band for resistance to rust and corrosion
- Plastisol-dipped handle will not slide off during use
- Even hard-to-reach oil filters will come off easily with this swivel-handle oil filter wrench
- Unique yoke and link assembly allow a good grip, but will not crush the filter
- Swivel tension is adjusted easily by using the nut and bolt on the handle



Cat. No.	Size	Fastener Size	Product Weight
3324D	Small	2.50 in - 3.00 in 64mm - 76 mm	0.70 lb
3083D	Medium	2.88 in - 3.25 in 73mm - 83 mm	0.70 lb
3082D	Large	3.50 in - 3.88 in 89mm - 98 mm	0.75 lb
3527	Extra Large	3.88 in - 4.38 in 96mm - 111 mm	0.80 lb

### Square Drive Oil Filter Wrench

- Use this in hard-to-reach places to remove filters 3-7/16" to 3-3/4" and 87mm to 95mm in diameter
- Use with a 3/8 drive tool
- Will not crush filter
- Caution: Not intended for use on power tools



Cat. No.	Drive Tang Size	Drive Type	Fastener Size	Product Weight
2029DD	3/8 in	Square	3.44 in - 3.75 in 87mm - 95 mm	0.48 lb

### 5 Pc. Oil Filter End Cap Wrench Set

- Provides high torque capacity
- Handles 140 ft-lbs. of torque to remove even the most stubborn filters
- Metal drive insert will not deform or break even after years of service
- Designed for use with a 3/8" square drive tool
- Caution: Not intended for use on power tools
- Includes blow mold case for storage and organization



Cat. No.	Included Storage	Product Weight
3865	Blow Mold Case	1.25 lb

Cat. No.	Description	Cat. No.	Description
3860D	3/8" Drive 14 Flute Oil Filter End Cap Metric Wrench 65 & 67mm	3862D	3/8" Drive 14 Flute Oil Filter End Cap Metric Wrench 76mm
3863	3/8" Drive 15 Flute Oil Filter End Cap Metric Wrench 93mm	3864D	3/8" Drive 36 Flute Oil Filter End Cap Metric Wrench 76, 80 & 93mm
3861D	3/8" Drive 15 Flute Oil Filter End Cap Metric Wrench 74 & 76mm		

### Filter Cap Wrenches

- Provides high torque capacity
- Handles 140 ft-lbs. of torque to remove even the most stubborn filters
- Metal drive insert will not deform or break even after years of service
- Designed for use with a 3/8" square drive tool
- Caution: Not intended for use on power tools



Cat. No.	Drive Tang Size	Drive Type	Number of Flutes	Fastener Size	Product Weight
3861D	3/8 in	Fluted	15	74mm 76mm	0.25 lb
3862D	3/8 in	Fluted	14	76mm	0.25 lb
3864D	3/8 in	Fluted	36	76mm 80mm 93mm	0.25 lb

### Adjustable Oil Filter Wrench Pliers

- Pliers cover a complete range of filter removal from 2" to 5" and 50mm to 125mm in diameter
- Ratchet and lock mechanism allow for multiple settings for sure fit, eliminating slippage
- Jaws are grooved for better holding of the filter
- Forged for superior strength
- Plastisol coated handles provide a firm grip



Cat. No.	Fastener Size	Product Weight
3508D	2.00 in - 5.00 in 50mm - 125 mm	1.17 lb

### Oil Filter Wrench Pliers

- Pliers remove stubborn, stuck filters
- Unique, dual-handle styling allows for better leverage to bear down harder
- Tool is forged for superior strength and double dipped handles provide a firm grip



Cat. No.	Fastener Size	Product Weight
3369	2.75 in - 3.13 in	1.20 lb
3368	2.31 in - 3.63 in	1.25 lb
3369F	2.50 in - 3.25 in	1.16 lb
3368F	2.69 in - 3.75 in	1.22 lb



### Heavy Duty Oil Filter Wrenches, Wide Band

- Extra wide 3" band for better grip and reduced canister damage
- Designed for use with a 1/2" square drive tool
- Caution: Not intended for use on power tools



Cat. No.	Drive Tang Size	Drive Type	Fastener Size	Product Weight
2320W	1/2 in	Square	4.13 in - 4.50 in 105mm - 115 mm	0.45 lb
2321W	1/2 in	Square	4.38 in - 5.25 in 110mm - 130 mm	0.55 lb
2322W	1/2 in	Square	4.75 in - 5.50 in 120mm - 140 mm	0.65 lb

### Heavy-Duty Oil Filter Wrenches

- Wrenches are designed for high torque requirements of truck filters
- Designed for use with a 1/2" square drive tool
- 1-1/2" wide bands for added strength and increased grip area
- Caution: Not intended for use on power tools



Cat. No.	Drive Tang Size	Drive Type	Fastener Size	Product Weight
2320D	1/2 in	Square	3.75 in - 4.50 in 95mm - 115 mm	2.00 lb
2321	1/2 in	Square	4.50 in - 5.25 in 115mm - 135 mm	2.10 lb
2322D	1/2 in	Square	5.25 in - 5.75 in 135mm - 150 mm	2.54 lb

### Universal 3-Jaw Oil Filter Wrench

- Remove all passenger car and light-duty truck spin-on type filters with this wrench
- Sizes range from 2-1/2" to 3-3/4"
- Designed for use with a 3/8" square drive tool



Cat. No.	Drive Tang Size	Drive Type	Fastener Size	Product Weight
3288D	3/8 in	Square	2.50 in - 3.75 in	0.50 lb

### Chain Wrench, 1/2" Square Drive

- Wrap tool around any shape item from .63" to 5" and 16mm to 127mm in diameter and apply torque
- Designed for use with a 1/2" square drive tool
- Chain Length - 16-1/4"



Cat. No.	Drive Tang Size	Drive Type	Fastener Size	Chain Length	Product Weight
2595D	1/2 in	Square	.63 in - 5.00 in 16mm - 127 mm	16.25 in	1.73 lb

### Nylon Strap Oil Filter Wrench

- Use wrench on oil filters up to a 6" and 152mm diameter
- Strong nylon belt will not slip
- Designed for use with a 1/2" square drive tool



Cat. No.	Drive Tang Size	Drive Type	Fastener Size	Product Weight
3149	1/2 in	Square	0 in - 6.00 in 0mm - 152 mm	0.50 lb

### Heavy Duty Oil Filter Strap Wrench

- Strap is made of high strength oil resistant nylon and handle is made of forged steel
- Chrome plated 3/8" and 1/2" drive engagement
- Handles filters with diameters Up to 9" and 229mm especially high torque requirements on truck and tractors
- Use with a 3/8 or 1/2 drive tool



Cat. No.	Drive Tang Size	Drive Type	Fastener Size	Product Weight
3529D	3/8 in 1/2 in	Square	0 in - 9.00 in 0mm - 229 mm	0.67 lb

### 6 Pc. Oil Canister Socket Set Service Kit

- Low profile sockets for better access
- Set includes 6 common sizes 24mm 27mm 29mm 32mm 36mm 38mm
- Black oxide coating to resist corrosion
- Includes blow mold case for storage and organization



Cat. No.	Included Storage	Product Weight
41890	Blow Mold Case	2.08 lb

Cat. No.	Description	Cat. No.	Description
3935	3/8" Drive Oil Filter Metric Socket 24mm	3932D	3/8" Drive Oil Filter Metric Socket 32mm
3933D	3/8" Drive Oil Filter Metric Socket 27mm	3934D	3/8" Drive Oil Filter Metric Socket 36mm
-	3/8" Drive Oil Filter Metric Socket 29mm	3939D	3/8" Drive Oil Filter Metric Socket 38mm

### Oil Filter Sockets

- Low profile sockets for better access
- Fits canister type oil filter caps on vehicles that use 32mm filter caps
- Black oxide coating to resist corrosion
- Designed for use with a 3/8" square drive tool
- Caution: Not intended for use on power tools



Cat. No.	Drive Tang Size	Drive Type	Fastener Size	Product Weight
3935	3/8 in	6 Point	24mm	0.22 lb
3933D	3/8 in	6 Point	27mm	0.25 lb
3932D	3/8 in	6 Point	32mm	0.30 lb
3934D	3/8 in	6 Point	36mm	0.35 lb
3939D	3/8 in	6 Point	38mm	0.45 lb

### 7 Pc. Magnetic Oil Drain Plug Socket Set

- Oil drain plug sockets have magnetic core and off-corner loading design
- Knurled "speed ring" provides quick removal and installation
- Serrated edges provide added grip for hard-to-reach fasteners
- Anodized color-coded aluminum
- Fits most domestic and import vehicles
- Can be used with Pass-Thru™ ratchets featuring GearRatchet™ handles, or standard 3/8" drive ratchets
- Includes blow mold case for storage and organization



Cat. No.	Included Storage	Product Weight
3870D	Blow Mold Case	2.43 lb

Cat. No.	Description	Cat. No.	Description
235080GR	3/8" Drive Pass-Thru™ 72 Tooth Ratchet 8"	3875D	16 mm Magnetic Oil Drain Plug Socket
3872D	13 mm Magnetic Oil Drain Plug Socket	3876D	17 mm Magnetic Oil Drain Plug Socket
3873D	14 mm Magnetic Oil Drain Plug Socket	3877D	19 mm Magnetic Oil Drain Plug Socket
3874D	15 mm Magnetic Oil Drain Plug Socket		

### Magnetic Oil Drain Plug Sockets

- Oil drain plug sockets have magnetic core and off-corner loading design
- Knurled "speed ring" provides quick removal and installation
- Serrated edges provide added grip for hard-to-reach fasteners
- Anodized color-coded aluminum
- Fits most domestic and import vehicles
- Can be used with Pass-Thru™ ratchets featuring GearRatchet™ handles, or standard 3/8" drive ratchets
- Color coded for easy size identification



Cat. No.	Color	Drive Tang Size	Drive Type	Fastener Size	Product Weight
3872D	Red	3/8 in	6 Point	13 mm	0.150 lb
3873D	Green	3/8 in	6 Point	14 mm	0.150 lb
3874D	Purple	3/8 in	6 Point	15 mm	0.155 lb
3875D	Gold	3/8 in	6 Point	16 mm	0.160 lb
3876D	Black	3/8 in	6 Point	17 mm	0.165 lb
3877D	Blue	3/8 in	6 Point	19 mm	0.180 lb

### 18 Pc. Steering Service Set

- Can remove a steering wheel from most domestic and import cars with or without telescoping tilt columns
- Use the puller legs with the steering wheel puller to remove steering wheels on late model GM vehicles
- Steering wheel lock plate depressor also included
- Includes blow mold case for storage and organization



Cat. No.	Included Storage	Product Weight
41620D	Blow Mold Case	4.36 lb

Cat. No.	Description	Cat. No.	Description
3509D	Steering Wheel Lock Plate Remover	-	Lock Plate Remover Collars & Nut Washer
3510D	Steering Wheel Puller Legs	-	Screw Package
3906D	Steering Wheel Pivot Pin	2291D	Steering Wheel Puller Kit
-	Lock Plate Depressor Frame		

### Steering Wheel Lock-Plate Remover and Installer

- Fits GM cars with SIR air bags
- Works on older GM, Chrysler, and AMC vehicles previously serviced by part #2414
- Narrower yoke prevents damage to the lock plate
- Separate SAE (black) and metric (zinc) threaded collars screw to the center steering column
- Center screw uses a 3/8" wrench
- Supplied hex screw locks down telescoping steering columns while removing lock plate
- Hex screw can be stored on side of puller yoke



Cat. No.	Fits Tool	Model	Product Weight
3509D	41620	GM Chrysler AMC	1.30 lb

### Pivot Pin Remover

- Tilt steering columns are much easier to service when your tool box has one of these pivot pin removers in it
- Works on 1969-current GM, Chrysler, and Ford vehicles with Saginaw steering columns



Cat. No.	Fits Tool	Model	Product Weight
3906D	41620	GM Chrysler Ford	0.15 lb

### 5 Pc. Front End Service Set

- Allows for easy removal of the most popular types of pitman arms, tie rods, and ball joints
- Includes pitman arm puller
- Includes ball joint separator
- Includes tie rod end puller
- Includes blow mold case for storage and organization



Cat. No.	Included Storage	Product Weight
41690	Blow Mold Case	12.65 lb

Cat. No.	Description	Cat. No.	Description
2289D	Pitman Arm Puller	-	Tie Rod Puller
3916D	Universal Ball Joint Separator	-	Universal Tie Rod End Remover
3917D	Tie Rod End Puller and Pitman Arm Puller		

### Ball Joint Separator

- Tool separates ball joints from steering knuckles
- Insert 15/16" opening between parts and strike with hammer to separate
- Separator is forged to withstand hard usage
- Overall length 12 in



Cat. No.	Size	Overall Length	Product Weight
2287D	15/16"	12 in	1.99 lb

### Tie Rod Separator

- Powerful tool separates tie rods
- Insert 21/32" opening between parts and strike with hammer to separate
- Separator is forged to withstand hard usage
- Overall length 12 in
- Caution: for intended use only



Cat. No.	Size	Overall Length	Product Weight
2288D	21/32"	12 in	2.02 lb

### Universal Ball Joint Separator

- Separates the ball joint from the spindle support arm on domestic and import front wheel drive vehicles
- Adjustable for different sized ball joints
- Works on ball joints from 1-1/8" - 2-1/8" and 30mm - 56mm in size
- Uses a 5/16" socket



Cat. No.	Size	Fits Tool	Product Weight
3916D	1-1/8" - 2-1/8" 30mm - 56mm	41690	1.13 lb

### Tie Rod End Puller and Pitman Arm Puller

- Use as a pitman arm remover for many small domestic rear wheel drive vehicles
- Use as a tie rod end puller for many domestic and import vehicles
- Works on tie rods and pitman arms from 1-1/16" - 2-1/8" and 27mm - 56mm



Cat. No.	Size	Fits Tool	Product Weight
3917D	1-1/6" - 2-1/8" 27mm - 56mm	41690	1.00 lb

### Pitman Arm Puller

- Puller removes full-size pitman arms
- Mount jaws over pitman arm and turn center screw with wrench until tight
- Strike center screw with hammer to release pitman arm
- No other tools are needed
- Puller has a drop-forged and heat-treated steel yoke
- Screw size 5/8"-18 thread



Cat. No.	Size	Fits Tool	Product Weight
2289D	5/8-18 Thread	41690	1.95 lb

### CV Boot Clamp Tool

- Allows for proper installation of CV boot
- Crimps joints while with center pushing feature
- Use 1/2" drive ratchet or torque wrench
- High leverage design



Cat. No.	Drive Tang Size	Product Weight
3955	1/2 in	1.25 lb

### Macpherson Strut Spring Compressor

- Use this tough tool for quick and easy replacement of struts, springs and shock absorbers
- Compress springs both on or off the vehicle with hand or power tools
- Maximum capacity: 6" outside diameter
- Wire diameter: 5/8"
- Caution: follow instructions provided with this tool



Cat. No.	Size	Product Weight
3387	6" OD 5/8" Wire Diameter	6.47 lb

### CV Joint Boot Clamp Tightening Wrench

- Works by hand or ratchet with 1/2" socket
- Includes built in cutter
- Use wrench to securely fasten Band-It® style free end clamps, roll band and clips or Band-It Jr® style pre-formed CV boot clamps
- Mandrel tightens the clamp, holding it in place until the ears of the clamp are folded down
- Use built in cutter to remove excess band material



Cat. No.	Fits Tool	Product Weight
3191D	1/2" Socket	0.55 lb



### 10 Pc. Clutch Aligning Set

- Align single disc clutches on American and imported cars, light trucks and tractors
- Adapter fits through clutch plate and into pilot bushing or bearing
- Tapered cone fits into clutch hole and aligns clutch plate properly
- Set includes shaft and 8 two-stepped pilot bearing adapters covering 16 sizes
- Plate aligning cone has 1-1/8" maximum diameter taper



Cat. No.	Included Storage	Product Weight
2420D	Blow Mold	2.08 lb

Description	Size	Description	Size
Pilot Bushing Cone Taper	.734" - 1.17" and 18.64mm - 29.72mm	Black Adapters for Domestic	.561" & .590" 14.2mm & 15mm
Zinc Adapter for Imports	.472" & .500" 12mm & 12.7mm	Black Adapters for Domestic	.749" & .787" 19mm & 20mm
Zinc Adapter for Imports	.622" & .641" 15.8mm & 16mm	Black Adapters for Domestic	.812" & .874" 20.6mm & 22.2mm
Zinc Adapter for Imports	.688" & .710" 17.4mm & 18mm	Black Adapters for Domestic	.984" & 1.181" 25mm & 30mm
Zinc Adapter for Imports	.826" & .875" 21mm & 22.2mm		

### Seal Puller

- Removes oil and grease seals on automobiles and light trucks
- 2 tip sizes for most applications
- Insert tip behind seal and use leverage to remove
- Caution: Do not use as a striking tool
- Caution: For intended use only



Cat. No.	Size	Handle Length	Overall Length	Product Weight
3245	1 in 1-1/4 in	4.75 in	12.5 in	0.55 lb

### Steering Wheel Puller Kit

- Pulls steering wheels on most US and imported cars
- Includes special bolts (5/16"-18 UNC) for use on GM vehicles with SIR units
- Floating swivel on center screw prevents damage to steering column
- Five sets of bolts included (3/8"-16" UNC, 5/16"-18" UNC, 5/16"-24" UNF, 1/4"-28" UNF, and 8mm x 1.25mm)
- Will also remove crankshaft pulleys on Chrysler 2.2L and 2.5L engines



Cat. No.	Description	Size	Fits Tool	Product Weight
2291D	Steering Wheel Puller Kit	1/4-28 UNF 3/8-16 UNC 5/16-18 UNC 5/16-24 UNF 8 x 1.25mm	41620	2.13 lb

### 5 Pc. Pneumatic Tie Rod/Ball Joint Separator Kit

- Works with hand and pneumatic air systems to remove tie rods, ball joint and pitman arm assemblies
- Includes popular sizes 11/16 in 15/16 in 1-1/8 in
- Bright, full polishes chrome finish easily wipes cleans to resist corrosion
- Knurled handle for better grip
- Includes blow mold case for storage and organization



Cat. No.	Included Storage	Product Weight
41610	Blow Mold Case	4.70 lb

Cat. No.	Description
-	11/16" Tie Rod Ball Joint Separator
-	15/16" Tie Rod Ball Joint Separator
-	1-1/8" Tie Rod Ball Joint Separator

### Deluxe Feeler Gauge

- Gauge measures clearances from .0015" to .035" and .038mm to .889mm
- Blades have both SAE and metric measurements
- Also includes one .010" brass blade to use with electronic ignitions
- Blade length: 3-5/16 in
- Blade width: 1/2 in
- Each blade has sizes marked for easy identification



Cat. No.	Product Weight
161D	0.25 lb

Size	Size	Size	Size
.0015"/.038mm	.008"/.203mm	.015"/.381mm	.023"/.584mm
.002"/.051mm	.009"/.229mm	.016"/.406mm	.024"/.610mm
.0025"/.063mm	.010"/.254mm	.017"/.432mm	.025"/.635mm
.003"/.076mm	.010"/.254mm Brass	.018"/.457mm	.026"/.660mm
.004"/.102mm	.011"/.279mm	.019"/.483mm	.028"/.711mm
.005"/.127mm	.012"/.305mm	.020"/.508mm	.030"/.762mm
.006"/.152mm	.013"/.330mm	.021"/.533mm	.032"/.813mm
.007"/.178mm	.014"/.356mm	.022"/.559mm	.035"/.889mm

### Feeler Gauge

- Gauge measures clearances from .002 to .025" and .051mm to .635mm
- Blades have both SAE and metric measurements
- 2-1/2" rule and 15 blades
- Blade length: 3-5/16 in
- Blade width: 1/2 in
- Each blade has sizes marked for easy identification



Cat. No.	Product Weight
162D	0.14 lb

Size	Size	Size	Size
.002"/.051mm	.006"/.152mm	.013"/.330mm	.020"/.508mm
.003"/.076mm	.008"/.203mm	.014"/.356mm	.022"/.559mm
.004"/.102mm	.011"/.279mm	.016"/.406mm	.025"/.635mm
.005"/.127mm	.012"/.305mm	.018"/.457mm	

### Metric Feeler Gauge

- Gauge measures clearances from .04mm to 1mm
- For ignition and general purpose measuring
- Blade Lengths: 3" Long
- Blade width: 1/2 in
- Each blade has size marked for easy identification



Cat. No.	Product Weight
2274D	0.22 lb

Size	Size	Size	Size
.04mm	.15mm	.50mm	.85mm
.05mm	.20mm	.55mm	.90mm
.06mm	.25mm	.60mm	.95mm
.07mm	.30mm	.65mm	1mm
.08mm	.35mm	.70mm	
.09mm	.40mm	.75mm	
.10mm	.45mm	.80mm	

### Valve-Tappet Feeler Gauge

- Gauge measures valve tappet clearances from .008" to .026" and .203mm to .660mm
- Blades have both SAE and metric measurements
- Blades have a 45° offset for better access
- For ignition and general purpose measuring
- Blade length: 3-3/4 in
- Each blade has sizes marked for easy identification



Cat. No.	Product Weight
163D	0.16 lb

Size	Size	Size	Size
.008"/.203mm	.013"/.330mm	.016"/.406mm	.020"/.508mm
.010"/.254mm	.014"/.356mm	.018"/.457mm	.026"/.660mm
.012"/.305mm	.015"/.381mm	.019"/.483mm	

### Go-No-Go Feeler Gauge

- 22 blades cover the complete range of sizes from .004" to .027" and .10mm to .69mm
- Blades have both SAE and metric measurements
- Gauge checks clearance measurements with a 0.002" range
- Stepped blades quickly indicate if clearance falls within the specified range
- Blade length: 3"
- Each blade has sizes marked for easy identification



Cat. No.	Product Weight
2424D	0.21 lb

Size	Size	Size	Size
.004"/.102mm	.006"/.152mm	.010"/.254mm	.012"/.305mm
.005"/.127mm	.007"/.178mm	.011"/.279mm	.013"/.330mm
.006"/.152mm	.008"/.203mm	.012"/.305mm	.014"/.356mm
.007"/.178mm	.009"/.229mm	.013"/.330mm	.015"/.381mm
.008"/.203mm	.010"/.254mm	.014"/.356mm	.016"/.406mm
.009"/.229mm	.011"/.279mm	.015"/.381mm	.017"/.432mm
		.016"/.406mm	.018"/.457mm
		.017"/.432mm	.019"/.483mm
		.018"/.457mm	.020"/.508mm
		.019"/.483mm	.021"/.533mm
		.020"/.508mm	.022"/.559mm
		.021"/.533mm	.023"/.584mm
		.022"/.559mm	.024"/.610mm
		.023"/.584mm	.025"/.635mm
		.024"/.610mm	.026"/.660mm
		.025"/.635mm	.027"/.686mm

### Spark Plug Gap and Feeler Gauge Set

- Use to set and measure spark plug gaps plus other ignition clearances from .010" to .045" and .254mm to 1.143mm
- Blades have both SAE and metric measurements
- 6 wire gauges check spark plug gaps and 12 straight blades check other clearances
- Includes a double-ended electrode tool for easy adjustments
- Blade length: 3-5/16 in
- Each blade has sizes marked for easy identification



Cat. No.	Product Weight
164	0.19 lb

Size	Size	Size	Size
.010"/.254mm	.018"/.457mm	.025"/.635mm	.035"/.889mm
.012"/.305mm	.019"/.483mm	.026"/.660mm	.040"/1.016mm
.015"/.381mm	.020"/.508mm	.025"/.635mm	.045"/1.143mm
.016"/.406mm	.022"/.559mm	.030"/.762mm	
.017"/.432mm	.024"/.610mm	.034"/.864mm	

### Spark Plug Gap Wire Gauge

- Use gauge to measure spark plug electrode gaps from .025" to .045" and .635mm to 1.143mm
- Gauge includes 2 electrode adjusting tools
- Most popular "standard ignition" spark plug gapping wire sizes
- Round wire in this gauge permit exact gap checking at all angles



Cat. No.	Product Weight
166D	0.08 lb

Size	Size	Size
.025"/.635mm	.034"/.864mm	.040"/1.016mm
.030"/.762mm	.035"/.889mm	.045"/1.143mm

### Spark Plug Gap Gauge

- Circular coin-type ramp gauge
- Easily measures spark plug gaps
- From .020" to .100" and .6mm to 2.4mm
- Gap spreader tool on top
- Convenient tether point
- Satin chrome finish to resist corrosion



Cat. No.	Feeler Gauge Sizes (inch)	Feeler Gauge Sizes (mm)	Product Weight
3293D	.02 in .30 in .40 in .50 in .60 in .70 in .80 in .90 in .100 in	.6mm .8mm 1.0mm 1.2mm 1.4mm 1.6mm 1.8mm 2.0mm 2.2mm 2.4mm	0.05 lb

### Mechanic's Stethoscope

- Locates the source of engine noise quickly
- Listen for trouble by tracing the sound of flowing water, oil, gas or steam
- Identify piston slap, worn gears, faulty valves, water pump failure, damaged gaskets and defective bearings
- Shock-resistant handle disassembles for storage



Cat. No.	Description	Product Weight
835D	Mechanic's Stethoscope	0.25 lb

### Telescoping Inspection Mirrors

- Perfect for inspecting hidden areas
- Mirror swivels to almost any position



Cat. No.	Mirror Shape	Mirror Size	Overall Length Min	Overall Length Max	Product Weight
2840D	Round	1.25 in	4.75 in	17 in	0.10 lb
84085	Rectangular	2.125 in x 3.5 in	6.5 in	29.75 in	0.25 lb
84086	Round	2.25 in	6.5 in	36.375 in	0.16 lb

### 18" Flexible Magnetic Pickup Tool

- Retrieve small ferrous metal parts easily
- Nickel plated tool has a powerful permanent magnet
- Shaft flexes to go around corners
- Magnet diameter: 1/2 in



Cat. No.	Magnetic Tip Outside Diameter	Overall Length	Product Weight
1711D	1/2 in	18 in	0.25 lb

### Telescoping Magnetic Pickup Tool

- Pick up hard-to-reach ferrous metal parts or tools
- Includes pocket clip



Cat. No.	Magnetic Tip Outside Diameter	Overall Length Min	Overall Length Max	Product Weight
2593	9/32 in	5.5 in	25.56 in	0.08 lb
84089	5/8 in	7.5 in	33.25 in	0.12 lb

### 23" Flexible Retrieving Tool

- Retrieve small objects from hard-to-reach places
- Push the button to open the claws and release to grab



Cat. No.	Magnetic	Overall Length	Product Weight
2391	No	23 in	0.23 lb

### 2-Ton and 5-Ton Ratcheting Puller Set

- Ratcheting pullers have a time-saving, indexing jaw design
- Legs index into position and stay in place, letting you easily support the puller and quickly connect each jaw one at a time to the pulley without help
- Pullers can also be converted to two- and three-leg pullers
- Jaws can be reversed from external to internal style in seconds
- Maximum spread of 3-1/4 inches on 2 ton puller
- Maximum spread of 5 inches on 5 ton puller
- Includes blow mold case for storage and organization



Cat. No.	Included Storage	Product Weight
3627	Blow Mold Case	5.13 lb

Cat. No.	Description
3624D	2 Ton 2 or 3 Jaw Internal/External Ratcheting Puller
3625	5 Ton 2 or 3 Jaw Internal/External Ratcheting Puller

### 2-Ton Ratcheting Puller

- Ratcheting pullers have a time-saving, indexing jaw design
- Legs index into position and stay in place, letting you easily support the puller and quickly connect each jaw one at a time to the pulley without help
- Pullers can also be converted to two- and three-leg pullers
- Jaws can be reversed from external to internal style in seconds
- Maximum spread of 3-1/4 inches
- Includes blow mold case for storage and organization



Cat. No.	Included Storage	Product Weight
3624D	Blow Mold Case	2.55 lb

Cat. No.	Description
362401	3 Pc. Leg Set - 2 Ton Puller
362402	Yoke - 2 Ton Puller
362403	Screw - 2 Ton Puller



### 5-Ton Ratcheting Puller

- Ratcheting pullers have a time-saving, indexing jaw design
- Legs index into position and stay in place, letting you easily support the puller and quickly connect each jaw one at a time to the pulley without help
- Pullers can also be converted to two- and three-leg pullers
- Jaws can be reversed from external to internal style in seconds
- Maximum spread of 5 inches
- Includes blow mold case for storage and organization



Cat. No.	Included Storage	Product Weight
3625	Blow Mold Case	3.31 lb

Cat. No.	Description
362501	3 Pc. Leg Set - 5 Ton Puller
362502	Yoke - 5 Ton Puller
362503	Screw - 5 Ton Puller

### 5-Ton Ratcheting Regular/Long Leg Puller

- Ratcheting pullers have a time-saving, indexing jaw design
- Legs index into position and stay in place, letting you easily support the puller and quickly connect each jaw one at a time to the pulley without help
- Pullers can also be converted to two- and three-leg pullers
- Jaws can be reversed from external to internal style in seconds
- Maximum spread of 5 inches on regular legs
- Maximum spread of 7-1/2 inches on long legs
- Includes blow mold case for storage and organization



Cat. No.	Included Storage	Product Weight
3628D	Blow Mold Case	6.22 lb

Cat. No.	Description	Cat. No.	Description
362501	3 Pc. Leg Set - 5 Ton Puller	362502	Yoke - 5 Ton Puller
362801	3 Pc. Long Leg Set - 5 Ton Puller	362503	Screw - 5 Ton Puller

### 7-Ton Ratcheting Puller

- Ratcheting pullers have a time-saving, indexing jaw design
- Legs index into position and stay in place, letting you easily support the puller and quickly connect each jaw one at a time to the pulley without help
- Pullers can also be converted to two- and three-leg pullers
- Jaws can be reversed from external to internal style in seconds
- Maximum spread of 10 inches
- Includes blow mold case for storage and organization



Cat. No.	Included Storage	Product Weight
3626	Blow Mold Case	6.80 lb

Cat. No.	Description
362601	3 Pc. Leg Set - 7 Ton Puller
362602	Yoke - 7 Ton Puller
362603	Screw - 7 Ton Puller

### Ratcheting Puller Replacement Parts

- Ratcheting puller replacement parts for 2 5 and 7 ton pullers



Cat. No.	Description	Fits Tool	Product Weight
362403	Screw - 2 Ton Puller	3624	0.15 lb
362502	Yoke - 5 Ton Puller	3625	1.21 lb
362503	Screw - 5 Ton Puller	3625	0.57 lb
362603	Screw - 7 Ton Puller	3626	1.42 lb
362801	3 Pc. Long Leg Set - 5 Ton Puller	3628	2.55 lb

### Combination 2 Jaw Reversible Internal/External Pullers

- Reversible jaws for internal and external applications



Cat. No.	Ton	Reach/Length	Jaw Capacity	Screw Size	Screw Length	Upper Jaw Thickness	Lower Jaw Thickness	Upper Jaw Width	Lower Jaw Width	Product Weight
3551D	2	3-1/2 in	5 in	3/8 - 24	4-7/8 in	3/16 in	1/8 in	5/16 in	1/2 in	1.02 lb
3552	5	5-3/4 in	8 in	9/16 - 20	7 in	1/4 in	5/16 in	3/8 in	3/4 in	2.52 lb

### Combination 2 & 3 Jaw Reversible Internal/External Pullers

- Reversible jaws for internal and external applications



Cat. No.	Ton	Reach/Length	Jaw Capacity	Screw Size	Screw Length	Upper Jaw Thickness	Lower Jaw Thickness	Upper Jaw Width	Lower Jaw Width	Product Weight
3561	2	3-1/2 in	5 in	3/8 - 24	4-7/8 in	3/16 in	1/8 in	5/16 in	1/2 in	1.30 lb
3562D	5	5-3/4 in	8 in	9/16 - 20	7 in	3/8 in	3/4 in	3/8 in	3/4 in	2.50 lb
3563	7	5 in	9 in	11/16 - 18	7-1/2 in	3/8 in	3/8 in	1 in	1 in	6.05 lb

### 3 Pc. Rear Axle Bearing Puller Set

- Three pullers designed to make the removal of semi-floating rear axle bearings easier
- 1" X 1-7/8" puller
- 1-5/16" X 2-3/8" puller
- 1-3/8" X 2-7/8" puller
- 5/8" - 18 threads
- Includes blow mold case for storage and organization



Cat. No.	Included Storage	Product Weight
41710	Blow Mold Case	3.3 lb

Cat. No.	Description
-	1" x 1-7/8" Puller
-	1-5/16" x 2-3/8" Puller
-	1-3/8" x 2-7/8" Puller

### 10 Way Slide Hammer Puller Set

- Provides a wide range of puller applications such as: flange type axles, oil seals and other press fit parts
- Jaws can be set up for 2 or 3 jaw internal or external pulling jobs
- Includes blow mold case for storage and organization



Cat. No.	Included Storage	Product Weight
41700D	Blow Mold Case	17.0 lb

Cat. No.	Description	Cat. No.	Description
3591D	5-1/2 lb. Slide Hammer with 5/8"-18 Threaded End	41707	3 Pc. Adapter Set
41704	2 Way Yoke	41708	Leg Package & Screws
41705	3 Way Yoke	230071D	Shallow Flange
41706	Center Bolt & Cone	230075D	Deep Flange

### 24" Basic Slide Hammer Unit

- 5 lb hammer
- 5/8" - 18 threaded end
- May be used with an internal pulling attachment with female or male female threaded adapters



Cat. No.	Overall Length	Overall Width	Overall Height	Thread Size	Fits Tool	Product Weight
3591D	24 in	4 in	3.5 in	5/8" - 18	41700	7.05 lb

### Adjustable Height Shop Stool

- Powder coated metal frame for long lasting durability
- Seat swivels 360° for extra mobility
- Solvent resistant padded seat
- Air shock adjustable seat to suit any need
- Seat height adjustment lever easily moves seat up and down
- Seat height adjusts from 26 to 31 inches
- 225 pound capacity



Cat. No.	Color	Lowest Position	Highest Position	Overall Length	Overall Width	Product Weight
86992	Black & Orange	26-1/2 in	31 in	19 in	19 in	14.3 lb

### Adjustable Height Tractor Seat

- Powder coated metal frame for long lasting durability
- Seat swivels 360° for extra mobility
- Solid solvent resistant rubber seat
- Air shock adjustable seat to suit any need
- Seat height adjustment lever easily moves seat up and down
- Seated height adjusts from 18 to 22 inches
- 225 pound capacity
- Heavy duty 3-1/2" casters
- 5 magnetic parts trays in the base for convenient storage
- Easy 3 piece set up



Cat. No.	Color	Lowest Position	Highest Position	Overall Length	Overall Width	Product Weight
86994	Black & Orange	20-1/2 in	25 in	17 in	17 in	26.460 lb

### Adjustable Height Mobile Work Table

- Powder coated metal frame for long lasting durability
- Height adjusts from 35 to 48 inches
- Solid solvent resistant EVA mat
- 125 pound center load capacity, 65 pounds on edges
- Tray includes compartments and slots for easy access to tools and small parts
- Bumper guards on corners
- Large 3" casters for ease of movement
- Textured aluminum handle can be mounted in up or down position for user comfort
- 1 year limited warranty



Cat. No.	Color	Lowest Position	Highest Position	Overall Length	Overall Width	Product Weight
83166	Black & Orange	35 in	48 in	20 in	30 in	38.800 lb

### 41" Creeper

- 41" custom molded composite frame
- Super durable reinforced EVA back and head rest
- Includes (6) 3 inch TPC ball bearing casters to reduce vibration
- 300 pound capacity
- Metal plates next to headrest for easy mounting of magnetic lights
- Magnetic parts trays for convenient storage
- Low profile for increased under vehicle clearance



Cat. No.	Color	Overall Length	Overall Width	Overall Height	Product Weight
86995	Orange	40.75 in	20.5 in	5.75 in	13.000 lb

### Fender Cover, Magnetic

- Features sewn in magnets which stay on any metal surface easily
- Helps keep vehicle finish free of grease and scratches
- Thick slip resistant vinyl cleans up easily
- Oil resistant
- 1 year limited warranty



Cat. No.	Color	Overall Length	Overall Width	Overall Height	Product Weight
86991	Black	15.275 in	34.25 in	.122 in	1.53 lb

### Kneeling Pad

- Extra large footprint
- Solvent resistant EVA foam
- Magnetic parts tray for convenient storage
- Internal handle for easy carrying and storage
- 225 pound capacity



Cat. No.	Color	Overall Length	Overall Width	Overall Height	Product Weight
86996	Black & Orange	24 in	16 in	1 in	1.180 lb

**Bluetooth® Speaker**

- Bluetooth® 4.2 compatible with built in antenna for FM radio
- 6 hours of unconnected run time
- Full rubber wrap to help survive a 3 foot drop
- Meets IP65 specs for dust and water resistance
- Multi-link feature allows for two speakers to share one source
- Speakerphone utilizes built-in microphone
- 10 watt dual speakers
- 3.5mm AUX input and a microSD port
- USB port with 5V/1A output to charge
- 6 month limited warranty



Cat. No.	Overall Length	Overall Width	Overall Height	Product Weight
86997	8.75 in	2.75 in	3.5 in	2.000 lb

**Scriber**

- Sharp, tempered point scribes metal
- Hooked end removes o-rings, seals and gaskets
- 90° hook
- 8 inch length



Cat. No.	Overall Length	Product Weight	Shelf Pack Qty.
2979	8 in	0.15 lb	25

RATCHETS, SOCKETS, AND DRIVE TOOLS

WRENCHES

IMPACT

TORQUE WRENCHES

SCREWDRIVERS & NUTDRIVERS

PLIERS

CUTTING AND FILING

STRIKING AND STRUCK

PRY BARS

LIGHTING

AUTOMOTIVE SPECIALTY

**TOOL STORAGE**

MASTER SETS





### 72" 21 Drawer Roller Cabinet Extreme Tools® Series

- Quick release self-latching drawer pulls slide shut automatically
- One piece extruded aluminum anodized drawer pulls
- Drawers use full extension ball bearing slides rated to a 150 lbs load limit per pair
- Internal support bars and panels for heavy-duty professional work
- 3 extra long 51" drawers for improved organization and accessibility
- PVC drawer liners come standard
- Tubular coded lock and keys have a chrome plated bezel
- High gloss powder coat finish resists marring and damage
- Heavy-duty "Mag Wheel" casters along with a durable, industrial strength 12 gauge steel caster channels and bottom frame combine for a load rating of 1,100 lbs per caster
- 15mm MDF laminated with black PVC top surface, stainless steel top GW7225ST also available



Cat. No.	Caster Size	Storage Volume	Width	Depth	Height	Drawer Liners	Drawer Slides	Product Weight
GW722520RCBKC-02	6 in x 2 in	37,727 cubic in.	72 in	25 in	47 in	Yes	Full-Extension Ball Bearing	700 lb

Drawer Description	Drawer Width	Drawer Depth	Drawer Height	Drawer Load Weight
Left - 1 Drawer	50.51 in	22.09 in	5.2 in	300 lb
Left - 2 Drawers	50.51 in	22.09 in	2.24 in	150 lb
Center - 3 Drawers	33.10 in	22.09 in	2.24 in	150 lb
Center - 2 Drawers	33.11 in	22.09 in	5.2 in	300 lb
Side - 8 Drawers	14.84 in	22.09 in	2.24 in	150 lb
Side - 5 Drawers	14.84 in	22.09 in	5.2 in	300 lb

### 72" 12 Drawer Top Chest Extreme Tools® Series

- Quick release self-latching drawer pulls slide shut automatically
- One piece extruded aluminum anodized drawer pulls
- Drawers use full-extension ball bearing slides rated to a 150 lbs load limit per pair
- Internal support bars and panels for heavy-duty professional work
- Large open area to store unusually long or oversized items
- PVC drawer liners come standard
- Tubular coded lock and keys provide improved security
- High gloss powder coat finish resists marring and damage
- 5 year limited warranty



Cat. No.	Used On	Storage Volume	Width	Depth	Height	Drawer Liners	Gas Shock	Drawer Slides	Product Weight
GW722512CHBKC	GW722520RCBKC-02	19,631 cubic in.	72 in	25 in	22.25 in	Yes	Yes	Full-Extension Ball Bearing	367 lb

Drawer Description	Drawer Width	Drawer Depth	Drawer Height	Drawer Load Weight
Center - 3 Drawers	33.1 in	22.07 in	1.85 in	150 lb
Side - 6 Drawers	14.84 in	22.07 in	1.85 in	150 lb
Center - 1 Drawer	33.1 in	22.07 in	4.8 in	300 lb
Side - 2 Drawers	14.84 in	22.07 in	4.8 in	300 lb

### 72" Hutch Extreme Tools® Series

- Adjustable shelf with built-in slots and holes for organizing tools
- Shelf is engineered so you can hang accessories from it
- Included power tool rack holds a variety of tools
- Included media or electronics stand for ease of use
- Includes a power strip with USB ports for convenient charging
- High gloss powder coat finish resists marring and damage
- Two gas struts hold lid securely in the open position
- Socket and tool holder and can organizer help to keep your workspace clean
- Design fits easily onto GEARWRENCH Extreme Tools® 72" rolling cabinets
- 5 year limited warranty; 90 days for electrical components



Cat. No.	Used On	Width	Depth	Height	Gas Shock	Product Weight
GW722501HCBKC	GW722520RCBKC-02	72 in	25 in	22.25 in	Yes	132 lb

### 55" 12 Drawer Roller Cabinet Extreme Tools® Series

- Quick release self-latching drawer pulls slide shut automatically
- One piece extruded aluminum anodized drawer pulls
- Drawers use full extension ball bearing slides rated to a 150 lbs load limit per pair
- Internal support bars and panels for heavy-duty professional work
- 3 extra long 51" drawers for improved organization and accessibility
- PVC drawer liners come standard
- Tubular coded lock and keys have a chrome plated bezel
- High gloss powder coat finish resists marring and damage
- Heavy-duty "Mag Wheel" casters along with a durable, industrial strength 12 gauge steel caster channels and bottom frame combine for a load rating of 1,100 lbs per caster
- 15mm MDF laminated with black PVC top surface, stainless steel top GW5525ST also available



Cat. No.	Caster Size	Storage Volume	Width	Depth	Height	Drawer Liners	Drawer Slides	Product Weight
GW552512RCBKC	6 in x 2 in	25,799 cubic in.	54.6 in	25 in	46 in	Yes	Full-Extension Ball Bearing	478 lb

Drawer Description	Drawer Width	Drawer Depth	Drawer Height	Drawer Load Weight
Full Width - 1 Drawer	50.51 in	22.07 in	4.77 in	300 lb
Full Width - 2 Drawer	50.51 in	22.07 in	1.85 in	150 lb
Left - 3 Drawers	14.84 in	22.07 in	1.85 in	150 lb
Right - 3 Drawers	33.10 in	22.07 in	1.85 in	150 lb
Left - 1 Drawer	14.84 in	22.07 in	10.7 in	300 lb
Side - 2 Drawers	33.11 in	22.07 in	4.77 in	300 lb

### 55" 8 Drawer Top Chest Extreme Tools® Series

- Quick release self-latching drawer pulls slide shut automatically
- One piece extruded aluminum anodized drawer pulls
- Drawers use full extension ball bearing slides rated to a 150 lbs load limit per pair
- Internal support bars and panels for heavy-duty professional work
- Large open area to store unusually long or oversized items
- PVC drawer liners come standard
- Tubular coded lock and keys provide improved security
- High gloss powder coat finish resists marring and damage
- 5 year limited warranty

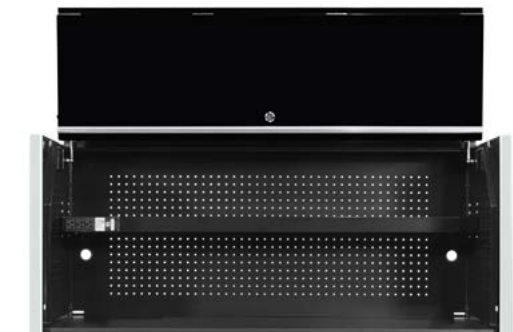


Cat. No.	Used On	Storage Volume	Width	Depth	Height	Drawer Liners	Gas Shock	Drawer Slides	Product Weight
GW552508CHBKC	GW552512RCBKC	14,908 cubic in.	54.625 in	25 in	22.25 in	Yes	Yes	Full-Extension Ball Bearing	245 lb

Drawer Description	Drawer Width	Drawer Depth	Drawer Height	Drawer Load Weight
Left - 3 Drawers	14.84 in	22.07 in	1.85 in	150 lb
Right - 3 Drawers	33.10 in	22.07 in	1.85 in	150 lb
Left - 1 Drawer	14.84 in	22.07 in	4.8 in	300 lb
Right - 1 Drawer	33.10 in	22.07 in	4.8 in	300 lb

### 55" Hutch Extreme Tools® Series

- Adjustable shelf with built-in slots and holes for organizing tools
- Shelf is engineered so you can hang accessories from it
- Included power tool rack holds a variety of tools
- Included media or electronics stand for ease of use
- Includes a power strip with USB ports for convenient charging
- High gloss powder coat finish resists marring and damage
- Two gas struts hold lid securely in the open position
- Socket and tool holder and can organizer help to keep your workspace clean
- Design fits easily onto GEARWRENCH Extreme Tools® 55" rolling cabinets
- 5 year limited warranty; 90 days for electrical components



Cat. No.	Used On	Width	Depth	Height	Gas Shock	Product Weight
GW552501HCBKC	GW552512RCBKC	55 in	25 in	22.25 in	Yes	102 lb

### Stainless Steel Work Top Extreme Tools® Series

- Optional work surface for installation over existing MDF top on Extreme Tools® Series Cabinets
- Grade 304 stainless steel provides improved durability and resistance to oxidation or corrosion
- 1 mm thickness
- 5 year limited warranty



Cat. No.	Used On	Overall Length	Overall Width	Overall Height	Product Weight
GW5525ST	GW552512RCBKC	55 in	25 in	1.75 in	40 lb
GW7225ST	GW722520RCBKC-02	72 in	25 in	1.75 in	64 lb

### Side Box Extreme Tools® Series

- Quick release self-latching full width polished aluminum drawer pulls
- One piece extruded aluminum anodized drawer pulls
- Drawers use full extension ball bearing slides rated to a 100 lbs load limit per pair
- Deep drawers use double slides load rated to 200 lbs per drawer
- Features 3 deep drawers and 5 standard drawers
- PVC drawer liners come standard
- Tubular coded lock and keys for improved security
- High gloss powder coat finish resists marring and damage
- Side box can be key coded to match roller cabinet
- 5 year limited warranty



Cat. No.	Used On	Storage Volume	Width	Depth	Height	Drawer Liners	Drawer Slides	Product Weight
GW192508SBBKC	GW552512RCBKC GW722520RCBKC-02	7,718 cubic in.	19 in	25 in	39.25 in	Yes	Full-Extension Ball Bearing	189 lb

Drawer Description	Drawer Width	Drawer Depth	Drawer Height	Drawer Load Weight
5 Drawers	14.84 in	22.07 in	1.85 in	100 lb
3 Drawers	14.84 in	22.07 in	4.77 in	200 lb

### Side Locker Extreme Tools® Series

- Quick release self-latching full width polished aluminum drawer pulls
- One piece extruded aluminum anodized drawer pulls
- Drawers use full extension ball bearing slides rated to a 100 lbs load limit per pair
- Deep drawers use double slides load rated to 200 lbs per drawer
- Features 1 deep drawer, 5 standard drawers, 1 fixed shelf and 2 adjustable shelves
- PVC drawer liners come standard
- Tubular coded lock and keys for improved security
- High gloss powder coat finish resists marring and damage
- Locker can be key coded to match roller cabinet
- 5 year limited warranty



Cat. No.	Used On	Storage Volume	Width	Depth	Height	Drawer Liners	Drawer Slides	Product Weight
GW192503SLBKC	GW552512RCBKC GW722520RCBKC-02	3,052 cubic in.	19 in	25 in	61 in	Yes	Full-Extension Ball Bearing	157 lb

### 53" 9 Drawer Roller Cabinet XL Series™

- 20 gauge steel cabinet body, middle, and large drawers; 22 gauge steel small drawers
- Brushed aluminum handles and drawer pulls
- Ball bearing drawer slides with auto return system
- Trigger lock drawer system keeps drawers in their place
- Top mat is 9mm thick
- Drawer liners made of black foam in all the drawers
- High-gloss powder coat finish resists scratches or damage
- Set of 2 fixed and 2 locking casters, each 5" x 2" in size
- Barrel-style lock for improved safety
- 3 year limited warranty



Cat. No.	Color	Caster Size	Storage Volume	Width	Depth	Height	Drawer Liners	Drawer Slides	Product Weight
83158	Black & Silver	5 in x 2 in	15,661 cu. in.	53 in	19 in	39.5 in	Yes	Ball Bearing	326 lb

Drawer Description	Drawer Width	Drawer Depth	Drawer Height	Drawer Load Weight
Full Width - 1 Drawer	48 in	15.5 in	3.75 in	132 lb
Left - 2 Drawers	29.5 in	15.5 in	2.25 in	88 lb
Left - 1 Drawer	29.5 in	15.5 in	5.5 in	88 lb
Left - 1 Drawer	29.5 in	15.5 in	8.5 in	88 lb
Right - 3 Drawers	16 in	15.5 in	2.25 in	88 lb
Right - 1 Drawer	16 in	15.5 in	11.5 in	132 lb

### 42" 11 Drawer Roller Cabinet XL Series™

- 20 gauge steel cabinet body, middle, and large drawers; 22 gauge steel small drawers
- Brushed aluminum handles and drawer pulls
- Ball bearing drawer slides with auto return system
- Trigger lock drawer system keeps drawers in their place
- Top mat is 9mm thick
- Drawer liners made of black foam in all the drawers
- High-gloss powder coat finish resists scratches or damage
- Set of 2 fixed and 2 locking casters, each 5" x 2" in size
- Barrel-style lock for improved safety
- 3 year limited warranty



Cat. No.	Color	Caster Size	Storage Volume	Width	Depth	Height	Drawer Liners	Drawer Slides	Product Weight
83157	Black & Silver	5 in x 2 in	12,320 cu. in.	42 in	19 in	39 in	Yes	Ball Bearing	301.8 lb

Drawer Description	Drawer Width	Drawer Depth	Drawer Height	Drawer Load Weight
Full Width - 1 Drawer	36.75 in	15.5 in	3.75 in	132 lb
Left - 5 Drawers	22.75 in	15.5 in	2.25 in	88 lb
Left - 1 Drawer	22.75 in	15.5 in	5.5 in	88 lb
Right - 3 Drawers	12.25 in	15.5 in	2.25 in	88 lb
Right - 1 Drawer	12.25 in	15.5 in	11.75 in	132 lb

### 42" 8 Drawer Chest XL Series™

- Chest body made from 20 gauge steel; drawers made from 22 gauge steel
- Brushed aluminum handles and drawer pulls
- Ball bearing drawer slides with auto return system
- Trigger lock drawer system keeps drawers in their place
- Top storage gives you quick access to tools and supplies
- High gloss powder coat finish resists marring and damage
- Handles on both side for improved portability
- Barrel-style lock for improved safety
- 3 year limited warranty



Cat. No.	Color	Used On	Storage Volume	Width	Depth	Height	Drawer Liners	Gas Shock	Drawer Slides	Product Weight
83156	Black & Silver	83157	7,814 cu. in.	41 in	18.25 in	20.5 in	Yes	Yes	Ball Bearing	167.5 lb

Drawer Description	Drawer Width	Drawer Depth	Drawer Height	Drawer Load Weight
Left - 4 Drawers	22.5 in	15.5 in	2.25 in	88 lb
Right - 4 Drawers	12 in	15.5 in	2.25 in	88 lb

### 26" 7 Drawer Roller Cabinet XL Series™

- 20 gauge steel cabinet body, middle, and large drawers; 22 gauge steel small drawers
- Brushed aluminum handles and drawer pulls
- Ball bearing drawer slides with auto return system
- Trigger lock drawer system keeps drawers in their place
- Top mat is 9mm thick
- Drawer liners made of black foam in all the drawers
- High-gloss powder coat finish resists scratches or damage
- Set of 2 fixed and 2 locking casters, each 5" x 2" in size
- Barrel-style lock for improved safety
- 3 year limited warranty



Cat. No.	Color	Caster Size	Storage Volume	Width	Depth	Height	Drawer Liners	Drawer Slides	Product Weight
83155	Black & Silver	5 in x 2 in	7,673 cu. in.	26.5 in	18 in	39 in	Yes	Ball Bearing	158.3 lb

Drawer Description	Drawer Width	Drawer Depth	Drawer Height	Drawer Load Weight
5 Drawers	22.25 in	15.5 in	2.25 in	88 lb
2 Drawers	22.25 in	15.5 in	5.5 in	88 lb

### 26" 4 Drawer Chest XL Series™

- Chest body made from 20 gauge steel; drawers made from 22 gauge steel
- Brushed aluminum handles and drawer pulls
- Ball bearing drawer slides with auto return system
- Trigger lock drawer system keeps drawers in their place
- Top storage gives you quick access to tools and supplies
- Removable hand tool tray to take tools directly to your job
- High gloss powder coat finish resists marring and damage
- Handles on both side for improved portability
- Barrel-style lock for improved safety
- 3 year limited warranty



Cat. No.	Color	Used On	Storage Volume	Width	Depth	Height	Drawer Liners	Gas Shock	Drawer Slides	Product Weight
83154	Black & Silver	83155	4,547 cu. in.	26 in	16 in	19 in	Yes	Yes	Ball Bearing	78.9 lb

Drawer Description	Drawer Width	Drawer Depth	Drawer Height	Drawer Load Weight
Top Tray	17 in	6.75 in	1.75 in	20 lb
4 Drawers	25.75 in	17.5 in	2.75 in	88 lb



### 42" 11 Drawer Mobile Work Station

- Heavy-duty, 20 gauge steel frame and drawers provide superior strength
- 19,000 cubic inch storage capacity and a 2,000 pound load capacity
- Drawers use full extension ball bearing slides rated to a 100 lbs load limit
- Top drawer features customizable partition system for ease-of-use
- EVA drawer liners come standard as well as a 6mm thick EVA top mat
- Built-in charging station with 6 outlets and 2 USB ports
- Peg board surface and can shelf on one side and secure lockable side cabinet on the other
- Vise mount capability for heavy-duty work
- Four 6" x 2" polyurethane casters for greater mobility and strength; 2 stationary and 2 dual-locking that lock caster pivot and wheel rotation
- 5 year limited warranty



Cat. No.	Color	Caster Size	Storage Volume	Width	Depth	Height	Drawer Liners	Drawer Slides	Product Weight
83169	Black & Orange	6 in x 2 in	19,000 cu. in.	45.5 in	25.4 in	41 in	Yes	Ball Bearing	317 lb

Drawer Description	Drawer Width	Drawer Depth	Drawer Height	Drawer Load Weight
Full Width - 1 Drawer	28.62 in	20.91 in	4.29 in	100 lb
Left - 3 Drawers	17.64 in	21.38 in	3.03 in	100 lb
Left - 1 Drawer	17.64 in	21.38 in	4.65 in	100 lb
Left - 1 Drawer	17.64 in	21.38 in	7.99 in	200 lb
Right - 3 Drawers	8.9 in	21.38 in	3.03 in	100 lb
Right - 1 Drawer	8.9 in	21.38 in	4.65 in	100 lb
Right - 1 Drawer	8.9 in	21.38 in	7.99 in	200 lb
Side Locker	22.2 in	5.31 in	23.11 in	

### Mobile Work Station



83169 Mobile Work Station

- Vise mounting capability
- Heavy-duty top surface

- Heavy-duty 20 gauge steel frame
- 2,000 lb. total load capacity
- 19,000 cubic inch storage capacity
- Side storage holds cans, gloves, towels



- Customizable partitions in top drawer
- 100 pound bearing locking drawer slides



- Extra large 6"x2" PU casters for smooth and easily mobility
- Dual locking caster design

Integrated charging station with 2 USB ports



### 33" 4 Drawer Tool Cart

- 42" tall cart offers greater storage capacity
- Heavy gauge steel body for 650 lb. load capacity
- Recessed 'through holes' in till area allow for the secure storage of extra long items like pry bars
- 4 large, heavy-duty polyurethane casters for greater mobility and strength; 2 stationary and 2 dual-locking that lock caster pivot and wheel rotation
- Includes convenient external bolt on power tool rack
- Heavy-duty chrome side handle with rubber grip for durability and control
- Full-height corner bumpers protect cart and surroundings
- Smooth bottom tray and durable side storage is ideal to hold a range of items
- Simple and fast assembly without any loose nuts or washers
- 5 year limited warranty



Cat. No.	Color	Caster Size	Storage Volume	Width	Depth	Height	Drawer Liners	Gas Shock	Drawer Slides	Product Weight
83168	Black & Orange	5 in x 2 in	10,762 cu. in.	33.03 in	21.1 in	42 in	Yes	Yes	Ball Bearing	153.3 lb

Drawer Description	Drawer Width	Drawer Depth	Drawer Height	Drawer Load Weight
Top Tray	31.7 in	18.5 in	4.9 in	
Top Drawers	13.2 in	17.4 in	2.7 in	100 lb
Middle Drawer	13.2 in	17.4 in	2.7 in	100 lb
Bottom Drawer	27.5 in	17.4 in	6.7 in	100 lb
Bottom Tray	32.1 in	20.2 in	3.2 in	

### 32" 2 Drawer Tool Cart

- 42" tall cart has 64% larger storage capacity than the previous model
- 50% greater load capacity to handle heavy-duty work
- Each drawer built 14% larger and stronger
- 4 large, heavy-duty polyurethane casters for greater mobility and strength; 2 stationary and 2 dual-locking that lock caster pivot and wheel rotation
- External power tool rack provides easy access
- Internal storage for long items like pry bars
- Corner bumpers minimize damage to the cart or surroundings
- Smooth bottom tray is ideal for storage
- Simple and fast assembly without any loose nuts or washers
- 5 year limited warranty



Cat. No.	Color	Caster Size	Storage Volume	Width	Depth	Height	Drawer Liners	Gas Shock	Drawer Slides	Product Weight
83167	Black & Orange	5 in x 2 in	7,609 cubic in.	32.5 in	20.4 in	42 in	Yes	Yes	Ball Bearing	110.57 lb

Drawer Description	Drawer Width	Drawer Depth	Drawer Height	Drawer Load Weight
Top Tray	31.7 in	18.5 in	4.9 in	
2 Drawers	27.5 in	17.4 in	2.8 in	100 lb
Bottom Tray	32.1 in	20.2 in	3.2 in	

### 20" 3 Drawer Steel Tool Box

- Portable tool box with ball bearing drawer slides
- Keyed center lock for improved security
- Black powder coat wipes easily clean and resists rust and corrosion
- 1 year limited warranty



Cat. No.	Color	Width	Depth	Height	Storage Volume	Drawer Slides	Product Weight
83151	Black & Silver	20 in	8.5 in	12 in	2,040 cu. in.	Ball Bearing	20 lb

Drawer Description	Drawer Width	Drawer Depth	Drawer Height	Drawer Load Weight
Top Tray	19.9 in	7.6 in	2.1 in	17.6 lb
3 Drawers	17.6 in	7.6 in	2.1 in	11 lb

### 20" Steel Tote Box

- Dual latch with locking clasps
- 741 cubic inches of storage volume
- Steel body construction with a black paint finish
- Includes a tote tray
- 1 year limited warranty



Cat. No.	Color	Width	Depth	Height	Storage Volume	Product Weight
83130	Black	20 in	7.75 in	8.5 in	1,250 cu. in.	11.61 lb

### 16-1/2" Plastic Tool Box

- Plastic hand box with a comfort grip handle
- Includes tote tray
- Two compartments in the lid
- 1,051 cubic inches of storage volume
- 1 year limited warranty



Cat. No.	Color	Width	Depth	Height	Storage Volume	Product Weight
83148	Red & Black	16.5 in	6 in	6.5 in	644 cu. in.	3.70 lb

### 16" Handled Tote Bag

- Durable, all weather material construction
- Solid reinforced bottom for stability and water resistance
- 42" removable adjustable strap with a padded shoulder area
- Steel tube handle with foam cushioned grips
- Large main compartment with 10 internal pockets to organize smaller items
- 10 external pockets for storing tools and equipment
- 2 external straps for easy storage of levels
- 1 year limited warranty



Cat. No.	Color	Width	Depth	Height	Product Weight
83146	Black & Orange	8.25 in	16 in	11 in	4.03 lb

### 16" Tool Bag

- Durable, all weather material construction
- Solid reinforced bottom for stability and water resistance
- 14 external pockets for storing tools and equipment
- Large, zippered main compartment with 8 internal pockets to organize smaller items
- 48" removable adjustable strap with a padded shoulder area
- 2 padded handles for comfortable carrying
- 1 year limited warranty



Cat. No.	Color	Width	Depth	Height	Product Weight
83147	Black & Orange	8 in	16 in	12.75 in	3.79 lb

### 4 Pc. Trap Mat Universal Tool Drawer Liners

- Universal pattern holds most tool shapes
- Low profile, fits in most tool drawers 2" and above
- Standard 16" x 22" can be segmented easy into smaller dimensions
- Solvent resistant foam material resists tearing
- Strong enough to stop tools from shifting
- Quiet mobility for carts that move about



Cat. No.	Color	Overall Length	Overall Width	Overall Height	Product Weight
83370	Black	22 in	16 in	1.5 in	1.760 lb

### Magnetic Socket Rail with Clips

- Rotating socket clips make loading and unloading easy
- Aluminum frame keeps rails straight and secure
- Every clip has a ball bearing socket retention system
- Solid magnetic plates secure rails to any steel surface
- Sockets can easily rotate 360° for quick identification
- Padded back prevents scratches and marring
- Rails can be mounted to walls or tool boards using the holes on either end
- Includes 14 socket organizer clips



Cat. No.	Drive Size	Color	Overall Length	Number of Clips	Product Weight
83126	1/4 in	Black & Orange	14.5 in	14	0.48 lb
83127	3/8 in	Black & Orange	15.5 in	14	0.55 lb
83128	1/2 in	Black & Orange	12 in	14	0.58 lb

### 3 Pc. Socket Rail Set

- Sliding clip system allows for configurable clips that slide within the rail
- Drilled at the end for easy attachment to the wall, workbench, or drawer
- Made of durable glass nylon
- 1/4" and 1/2" drive rails include 13 socket clips
- 3/8" drive rails include 14 socket clips



Cat. No.	Included Storage	Product Weight
83103	None	1.04 lb

Cat. No.	Description
-	1/4" Drive 12" Socket Rail with 13 Clips
-	3/8" Drive 12" Socket Rail with 14 Clips
-	1/2" Drive 12" Socket Rail with 13 Clips

### Socket Rails with Clips

- Sliding clip system allows for configurable clips that slide within the rail
- Drilled at the end for easy attachment to the wall, workbench, or drawer
- Made of durable glass nylon
- Available in red, green, or blue for easy identification



Cat. No.	Drive Size	Color	Overall Length	Number of Clips	Product Weight
83105	1/4 in	Red	9 in	13	0.23 lb
83109	1/4 in	Green	9 in	13	0.23 lb
83106	1/4 in	Blue	9 in	13	0.23 lb
83101	3/8 in	Red	15 in	14	0.37 lb
83110	3/8 in	Green	15 in	14	0.37 lb
83107	3/8 in	Blue	15 in	14	0.37 lb
83102	1/2 in	Red	15 in	13	0.37 lb
83111	1/2 in	Green	15 in	13	0.37 lb
83108	1/2 in	Blue	15 in	13	0.37 lb

### Socket Rail Clips Sets

- Sliding clip system allows for configurable clips that slide within the rail
- Made from heavy-duty black plastic
- Ball detent design holds the sockets securely on clips
- 3 clips per shelf pack

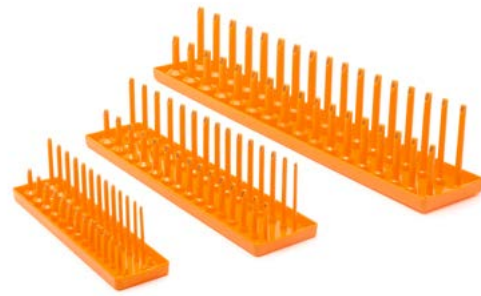


Cat. No.	Number of Clips	Drive Size	Color	Product Weight
83112D	3	1/4 in	Black	0.02 lb
83113D	3	3/8 in	Black	0.03 lb
83114D	3	1/2 in	Black	0.05 lb



### Socket Tray Sets

- Space saving design preferred by, and designed for, professionals
- Set includes racks for 1/4" 3/8" and 1/2" drives
- Vertical storage design for easy access in limited space
- Color coded, black has SAE labels and orange has metric labels
- Sturdy, break resistant pins have professional strength
- Quick to read size markers on the top of each pin
- Each rack can hold both standard and deep sockets



Cat. No.	Color	Overall Length	Overall Width	Overall Height	Product Weight
83118	Black	20.5 in, 13.25 in, 9 in	3.5 in, 3 in, 2.125 in	4 in, 3.125 in, 2.5 in	1.470 lb
83119	Orange	20.5 in, 13.25 in, 9 in	3.5 in, 3 in, 2.125 in	4 in, 3.125 in, 2.5 in	1.470 lb

### Reversible Wrench Racks

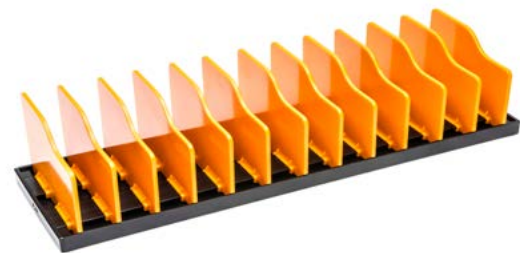
- Takes up 30% less space in your tool drawer
- Self-aligning, reversible side rails with a quick-change design
- Wrenches always face forward for easy size identification
- Reinforced construction from a composite plastic material
- Includes 2 side rail colors for easy differentiation



Cat. No.	Description	Color	Overall Length	Overall Width	Overall Height	Product Weight
83120	2 Pc. 13 Slot Reversible Wrench Rack	Orange	9 in	6.5 in	1.25 in	1.15 lb
83121	2 Pc. 16 Slot Reversible Wrench Rack	Orange	14.5 in	7.5 in	1.5 in	1.81 lb

### Vertical Plier Rack

- Vertical storage organizers use up to 50% less space than horizontal organizers
- Customizable and versatile storage solution
- 12 customizable compartments
- Store up to 12 pliers neatly in the organizer
- Drop-in system and contoured fins provide quick access



Cat. No.	Color	Overall Length	Overall Width	Overall Height	Product Weight
83129	Orange	12 in	3.125 in	2.75 in	0.90 lb

### Universal Tool Tray

- 10 compartments of various sizes keep parts and tools organized
- 11" x 16" size fits into most common tool box drawers
- Parts and tools are easily visible against the molten orange color
- Sturdy plastic construction lets you carry your tools right to the job



Cat. No.	Color	Overall Length	Overall Width	Overall Height	Product Weight
83117	Orange	16 in	11 in	1.5 in	1.75 lb

### 9-1/2" Rectangular Universal Magnetic Parts Tray

- The ultimate tool for holding fasteners, small parts, and other hardware while on the job
- Tray can mount horizontally or vertically to match your needs
- Swiveling plastic rim keeps non-magnetic parts from falling out of the tray when hung vertically
- Plastic rim can also serve as a handle for easy transport
- Non-scratch magnet won't damage your work area



Cat. No.	Color	Overall Length	Overall Width	Overall Height	Product Weight
83115	Black	5.5 in	9.5 in	1.75 in	2.55 lb

### 6" Circular Universal Magnetic Parts Tray

- The ultimate tool for holding fasteners, small parts, and other hardware while on the job
- Tray can mount horizontally or vertically to match your needs
- Swiveling plastic rim keeps non-magnetic parts from falling out of the tray when hung vertically
- Plastic rim can also serve as a handle for easy transport
- Non-scratch magnet won't damage your work area



Cat. No.	Color	Overall Length	Overall Width	Overall Height	Product Weight
83104	Black	6 in	6 in	1.75 in	1.80 lb



## **CustomMAXX™** Foam Drawer Inserts

### **MAXX ACCESS. MAXX CONTROL.**

Ordering foam drawer inserts used to be hard.  
Now it's easy with GEARWRENCH CustomMAXX™.

GEARWRENCH CustomMAXX™ Foam Drawer Insert Tool Access and Control System is the new way to make sure every tool in your inventory is organized and accounted for. CustomMAXX inserts are totally customizable. High quality closed-cell foam is laser-cut to precisely fit any brand toolbox or tool.

#### **It's easy and quick.**

CustomMAXX™ is web-based. Just log on at [GEARWRENCH/custommaxx](http://GEARWRENCH/custommaxx) to set up your account and request a password. Having an account lets you create your own custom tool layouts and save them for future re-orders or modifications. Select your toolboxes and tools from the extensive CustomMAXX database of over 3,700 products or upload photos from your desktop or smartphone. Choose options like foam color, insert thickness, and quantity. Then just drag and drop your tools into place to create your inserts exactly like you want them.

#### **See your inserts and get pricing.**

CustomMAXX shows you exactly how your inserts will look as soon as you enter your selections. Then just hit "ADD TO CART" and CustomMAXX will generate a suggested retail price quote. Take that to your local distributor to get final pricing and place your order.

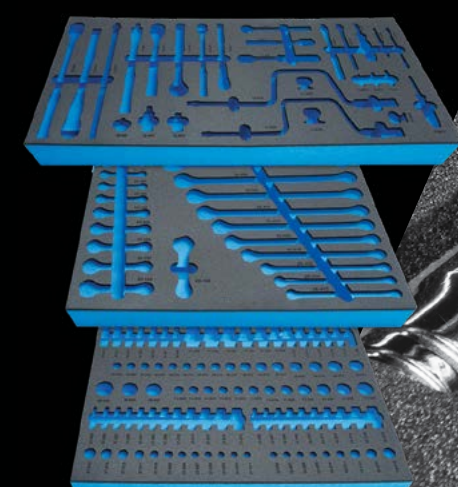
#### **Bundle your CustomMAXX order and save.**

When you order GEARWRENCH tools and/or tool storage cabinets along with CustomMAXX foam drawer inserts, you can earn substantial extra savings. You can specify existing GEARWRENCH tool sets or create your own tool assortments.

#### **CustomMAXX makes layout easy.**

Just drag and drop your tool images into place. CustomMAXX handles details like alignment, clearance requirements, and finger/thumb access openings.

- Select from seven different foam colors
- Choose from four foam thicknesses
- Select how snug your tools will fit into the foam: tight, regular or loose
- Bundle your foam insert order with other GEARWRENCH products, such as tool sets or tool storage





Universal sizing fits SAE up to 1", and metric up to 25mm

Drop in feature, self aligning and reversible rails

Reinforced composite material

30% space saving design with reversible feature

**30% MORE SPACE**

**NO LOCK | DROP-IN™**  
FOR QUICK ACCESS

**REVERSIBLE SYSTEM™**  
FOR CONDENSED STORAGE

**83121** 2 Pc. 16 Wrench Reversible Rack

**83120** 2 Pc. 13 Wrench Reversible Rack

Color coded:  
- Metric - Molten Orange  
- SAE - Black

Sturdy, break resistant pins

Quick identification on top of pins

**83118** 3 Pc. SAE Socket Rack Set

**83119** 3 Pc. Metric Socket Rack Set

Fits standard and deep sockets:  
1/4" Drive: 1/8" - 5/8" or 4 - 15mm  
3/8" Drive: 1/4" - 1" or 6 - 20mm  
1/2" Drive: 3/8" - 1-1/4" or 10 - 27mm

**FITS STANDARD AND DEEP LENGTH SOCKETS™**

**SPACE SAVING DESIGN™**  
FOR COMPACT STORAGE

**83129** Adjustable Pliers Rack

Save up to 50% more space

Keeps pliers organized by standing on their side

All fins are adjustable for various size pliers

**ADJUSTABLE FINS™**  
FOR VERSATILE STORAGE

**NO LOCK | DROP-IN™**  
FOR QUICK ACCESS

Rotating socket clips make loading and unloading easy

Clips have ball bearing socket holders

Solid magnetic plates secure rails in any position

Aluminum frame keeps rails straight and secure

Three popular sizes  
- 1/4", 3/8", and 1/2"  
- 16 Clips for each

**ROTATES 360°™**  
FOR EASE OF USE

**MAGNETIC BASE FOR EASY POSITIONING™**

**83126** 1/4" Dr. Magnetic Socket Rail

**83127** 3/8" Dr. Magnetic Socket Rail

**83128** 1/2" Dr. Magnetic Socket Rail

RATCHETS, SOCKETS, AND DRIVE TOOLS

WRENCHES

IMPACT

TORQUE WRENCHES

SCREWDRIVERS & NUTDRIVERS

PLIERS

CUTTING AND FILING

STRIKING AND STRUCK

PRY BARS

LIGHTING

AUTOMOTIVE SPECIALTY

TOOL STORAGE

MASTER SETS





### 121 Pc. Auto TEP Introductory Set

- 84 tooth 1/4" and 3/8" drive ratchets
- Extensions – 1/4" and 3/8" drive
- Universal Joint – 3/8" drive
- Sockets – 1/4" and 3/8" drive in SAE and metric sizes
- Wrenches – long pattern combination in SAE and metric sizes
- Screwdrivers – 6 piece set
- Pliers – 3 piece set, Punches and Chisels – 5 piece set
- Hex Keys -13 piece long arm set
- General Purpose Tools – hammers, utility knife, flashlight, locking pliers, safety glasses
- Automotive Specialty Tools – low voltage circuit tester, feeler gauge, gasket scraper



\* Please Note: Most tools GEARWRENCH branded. May include other leading Apex Tool Group brands.

Cat. No.	Included Storage	Product Weight
83090	Metal Hand Box	47.050 lb

Cat. No.	Description	Cat. No.	Description
129D	6 & 12 Volt Low Voltage Circuit Tester	81659	11/16" 12 Point Long Pattern Combination Wrench
162D	15 Blade SAE/Metric Feeler Gauge	81660	3/4" 12 Point Long Pattern Combination Wrench
80001	Dual Material Phillips® Screwdriver #1 x 3"	81661	13/16" 12 Point Long Pattern Combination Wrench
80007	Dual Material Phillips® Screwdriver #2 x 4"	81662	7/8" 12 Point Long Pattern Combination Wrench
80013	Dual Material Slotted Screwdriver 1/4" x 4"	81663	15/16" 12 Point Long Pattern Combination Wrench
80015	Dual Material Slotted Screwdriver 1/8" x 4"	81664	1" 12 Point Long Pattern Combination Wrench
80022	Dual Material Slotted Screwdriver 3/8" x 8"	81665	8mm 12 Point Long Pattern Combination Wrench
80023	Dual Material Slotted Screwdriver 5/16" x 6"	81666	9mm 12 Point Long Pattern Combination Wrench
82063	10" Straight Jaw Tongue and Groove Pliers	81667	10mm 12 Point Long Pattern Combination Wrench
82071	7" Heavy-Duty Diagonal Cutting Pliers	81668	11mm 12 Point Long Pattern Combination Wrench
82073	7-1/2" Long Nose Side Cutting Pliers	81669	12mm 12 Point Long Pattern Combination Wrench
C10CVN	10" Curved Jaw Locking Plier With Wire Cutter	81670	13mm 12 Point Long Pattern Combination Wrench
82251	16 oz. Ball Pein Hammer with Fiberglass Handle	81671	14mm 12 Point Long Pattern Combination Wrench
82260	12 oz. Soft Face Hammer with Black Comfort Grip Handle	81672	15mm 12 Point Long Pattern Combination Wrench
82264	1/2" x 6" Cold Chisel	81673	16mm 12 Point Long Pattern Combination Wrench
82270	5/32" x 5" Center Punch	81674	17mm 12 Point Long Pattern Combination Wrench
82273	1/8" x 5" Pin Punch	81675	18mm 12 Point Long Pattern Combination Wrench
82274	5/32" x 5-1/4" Pin Punch	81676	19mm 12 Point Long Pattern Combination Wrench
82275	3/16" x 5-1/2" Pin Punch	81677	20mm 12 Point Long Pattern Combination Wrench
56603G	13 Piece Long Arm SAE Hex Key Set	81678	21mm 12 Point Long Pattern Combination Wrench
WKF2	Quick-Change Folding Blade Utility Knife	81679	22mm 12 Point Long Pattern Combination Wrench
83122	125 Lumen Rechargeable Penlight	81011F	1/4" Drive 84 Tooth Teardrop Ratchet 5"
84083	1" Wide Scraper Long	81211F	3/8" Drive 84 Tooth Teardrop Ratchet 8-1/4"
-	Safety Glasses	81128	1/4" Drive Spinner Handle 7-3/4"
83130	20" Black Steel Tote Box	81113D	1/4" Drive Extension 3"
81656	1/2" 12 Point Long Pattern Combination Wrench	81116	1/4" Drive Extension 6"
81657	9/16" 12 Point Long Pattern Combination Wrench	81241	3/8" Drive Extension 3"
81658	5/8" 12 Point Long Pattern Combination Wrench	81242	3/8" Drive Extension 6"

Cat. No.	Description	Cat. No.	Description
80403	3/8" Drive 6 Point 2-1/2" Spark Plug Socket 13/16"	80353	3/8" Drive 6 Point Standard SAE Socket 7/16"
80105	1/4" Drive 6 Point Standard SAE Socket 3/16"	80355	3/8" Drive 6 Point Standard SAE Socket 9/16"
80107	1/4" Drive 6 Point Standard SAE Socket 1/4"	80357	3/8" Drive 6 Point Standard SAE Socket 11/16"
80109	1/4" Drive 6 Point Standard SAE Socket 5/16"	80359	3/8" Drive 6 Point Standard SAE Socket 13/16"
80111	1/4" Drive 6 Point Standard SAE Socket 3/8"	80361	3/8" Drive 6 Point Standard SAE Socket 15/16"
80113D	1/4" Drive 6 Point Standard SAE Socket 1/2"	80374	3/8" Drive 6 Point Standard Metric Socket 6mm
80125	1/4" Drive 6 Point Standard Metric Socket 4mm	80376	3/8" Drive 6 Point Standard Metric Socket 8mm
80127	1/4" Drive 6 Point Standard Metric Socket 5.5mm	80378	3/8" Drive 6 Point Standard Metric Socket 10mm
80129	1/4" Drive 6 Point Standard Metric Socket 7mm	80380	3/8" Drive 6 Point Standard Metric Socket 12mm
80131D	1/4" Drive 6 Point Standard Metric Socket 9mm	80382	3/8" Drive 6 Point Standard Metric Socket 14mm
80133	1/4" Drive 6 Point Standard Metric Socket 11mm	80384	3/8" Drive 6 Point Standard Metric Socket 16mm
80135D	1/4" Drive 6 Point Standard Metric Socket 13mm	80386	3/8" Drive 6 Point Standard Metric Socket 18mm
80137	1/4" Drive 6 Point Standard Metric Socket 15mm		3/8" Drive 6 Point Standard Metric Socket 19mm
80351	3/8" Drive 6 Point Standard SAE Socket 5/16"		

### 238 Pc. Career Builder TEP Starter Set

- 84 tooth 1/4", 3/8" and 1/2" drive ratchets
- Extensions – 1/4", 3/8" and 1/2" drive
- Universal Joints – 1/4", 3/8" and 1/2" drive
- Sockets – 1/4" and 3/8" drive in standard and deep, SAE and metric, 1/2" drive in standard length SAE and metric
- Wrenches – long pattern combination in SAE and metric
- Screwdrivers – 12 piece set, Files – 4 piece set
- Pliers – 4 pieces set, Punches and Chisels – 12 piece set
- Hex Keys - 22 pieces long arm
- General Purpose Tools – pry bar, hammers, utility knife, flash light, locking pliers, safety glasses, tape measure
- Automotive Specialty Tools – low voltage circuit tester, feeler gauge, gasket scraper and more



\* Please Note: Most tools GEARWRENCH branded. May include other leading Apex Tool Group brands.

Cat. No.	Included Storage	Product Weight
83091	None	63.000 lb

Cat. No.	Description	Cat. No.	Description
129D	6 & 12 Volt Low Voltage Circuit Tester	82825	8" Triangle Bastard File
162D	15 Blade SAE/Metric Feeler Gauge	WKF2	Quick-Change Folding Blade Utility Knife
84086	2-1/4" Round Telescoping Inspection Mirror	83122	125 Lumen Rechargeable Penlight
80965	12" Cushion Grip High Tension Hacksaw Frame	84083	1" Wide Scraper Long
82011	9-1/2" Dual Material Tongue and Groove Pliers	C10CVN	10" Curved Jaw Locking Plier With Wire Cutter
82012	7" Dual Material Diagonal Cutting Pliers	C6NVN	Long Nose Locking Plier
82013	8" Dual Material Long Nose Pliers	-	Safety Glasses
82014	8" Dual Material Slip Joint Pliers	PHV1316N	3/4" x 16' Hi-Viz® Orange P1000 Tape Measure
82216	3/8" x 16" Indexing Pry Bar	80000	Dual Material Phillips® Screwdriver #0 x 2-1/2"
82251	16 oz. Ball Pein Hammer with Fiberglass Handle	80001	Dual Material Phillips® Screwdriver #1 x 3"
82255	3 lb. Drilling Hammer with Fiberglass Handle	80004	Dual Material Phillips® Screwdriver #1 x 6"
82259	16 oz. Rubber Mallet with Hickory Handle	80005	Dual Material Phillips® Screwdriver #2 x 1-1/2"
82260	12 oz. Soft Face Hammer with Black Comfort Grip Handle	80007	Dual Material Phillips® Screwdriver #2 x 4"
82261	1/4" x 4-3/4" Cold Chisel	80011	Dual Material Phillips® Screwdriver #3 x 6"
82262	3/8" x 5" Cold Chisel	80012D	Dual Material Slotted Screwdriver 1/4" x 1-1/2"
82264	1/2" x 6" Cold Chisel	80013	Dual Material Slotted Screwdriver 1/4" x 4"
82265	5/8" x 6-1/2" Cold Chisel	80014	Dual Material Slotted Screwdriver 1/4" x 6"
82270	5/32" x 5" Center Punch	80018D	Dual Material Slotted Screwdriver 3/16" x 6"
82272	3/32" x 4-3/4" Pin Punch	80022	Dual Material Slotted Screwdriver 3/8" x 8"
82273	1/8" x 5" Pin Punch	80023	Dual Material Slotted Screwdriver 5/16" x 6"
82274	5/32" x 5-1/4" Pin Punch	2282D	5-5/8" Slotted Screw Starter
82275	3/16" x 5-1/2" Pin Punch	56612G	13 Piece Long Arm SAE Ball-Plus® Hex Key Set
82278	1/8" x 8" Long Taper Punch	56615G	9 Piece Long Arm Metric Ball-Plus® Hex Key Set
82283	3/16" x 5" Starter Punch	81650	1/4" 12 Point Long Pattern Combination Wrench
82285	1/8" x 4-1/2" Starter Punch	81651D	9/32" 12 Point Long Pattern Combination Wrench
82822D	8" Flat Bastard File	81652D	5/16" 12 Point Long Pattern Combination Wrench
82823	8" Round Bastard File	81653	11/32" 12 Point Long Pattern Combination Wrench
82824	8" Half Round Bastard File	81654	3/8" 12 Point Long Pattern Combination Wrench

Cat. No.	Description	Cat. No.	Description
81656	1/2" 12 Point Long Pattern Combination Wrench	80112	1/4" Drive 6 Point Standard SAE Socket 7/16"
81658	5/8" 12 Point Long Pattern Combination Wrench	80114D	1/4" Drive 6 Point Standard SAE Socket 9/16"
81660	3/4" 12 Point Long Pattern Combination Wrench	80116D	1/4" Drive 6 Point Deep SAE Socket 7/32"
81662	7/8" 12 Point Long Pattern Combination Wrench	80118	1/4" Drive 6 Point Deep SAE Socket 9/32"
81664	1" 12 Point Long Pattern Combination Wrench	80120D	1/4" Drive 6 Point Deep SAE Socket 11/32"
81666	9mm 12 Point Long Pattern Combination Wrench	80122D	1/4" Drive 6 Point Deep SAE Socket 7/16"
81668	11mm 12 Point Long Pattern Combination Wrench	80124	1/4" Drive 6 Point Deep SAE Socket 9/16"
81670	13mm 12 Point Long Pattern Combination Wrench	80126	1/4" Drive 6 Point Standard Metric Socket 5mm
81672	15mm 12 Point Long Pattern Combination Wrench	80128	1/4" Drive 6 Point Standard Metric Socket 6mm
81674	17mm 12 Point Long Pattern Combination Wrench	80130	1/4" Drive 6 Point Standard Metric Socket 8mm
81676	19mm 12 Point Long Pattern Combination Wrench	80132	1/4" Drive 6 Point Standard Metric Socket 10mm
81678	21mm 12 Point Long Pattern Combination Wrench	80134	1/4" Drive 6 Point Standard Metric Socket 12mm
81011F	1/4" Drive 84 Tooth Teardrop Ratchet 5"	80136	1/4" Drive 6 Point Standard Metric Socket 14mm
81304F	1/2" Drive 84 Tooth Teardrop Ratchet 11"	80138	1/4" Drive 6 Point Deep Metric Socket 4mm
81113D	1/4" Drive Extension 3"	80140	1/4" Drive 6 Point Deep Metric Socket 5.5mm
81241	3/8" Drive Extension 3"	80142	1/4" Drive 6 Point Deep Metric Socket 7mm
81341	1/2" Drive Extension 5"	80144	1/4" Drive 6 Point Deep Metric Socket 9mm
80100	1/4" Drive Universal Joint	80146D	1/4" Drive 6 Point Deep Metric Socket 11mm
80600D	1/2" Drive Universal Joint	80148	1/4" Drive 6 Point Deep Metric Socket 13mm
80403	3/8" Drive 6 Point 2-1/2" Spark Plug Socket 13/16"	80150	1/4" Drive 6 Point Deep Metric Socket 15mm
80106	1/4" Drive 6 Point Standard SAE Socket 7/32"	80351	3/8" Drive 6 Point Standard SAE Socket 1/4"
80108	1/4" Drive 6 Point Standard SAE Socket 9/32"	80353	3/8" Drive 6 Point Standard SAE Socket 5/16"
80110	1/4" Drive 6 Point Standard SAE Socket 11/32"	80355	3/8" Drive 6 Point Standard SAE Socket 7/16"

continued on next page



**Career Builder TEP Starter Set** ■ *continued from previous page*

Cat. No.	Description	Cat. No.	Description
80356	3/8" Drive 6 Point Standard SAE Socket 5/8"	80392	3/8" Drive 6 Point Deep Metric Socket 10mm
80357	3/8" Drive 6 Point Standard SAE Socket 11/16"	80393D	3/8" Drive 6 Point Deep Metric Socket 11mm
80358	3/8" Drive 6 Point Standard SAE Socket 3/4"	80394D	3/8" Drive 6 Point Deep Metric Socket 12mm
80359	3/8" Drive 6 Point Standard SAE Socket 13/16"	80395	3/8" Drive 6 Point Deep Metric Socket 13mm
80360	3/8" Drive 6 Point Standard SAE Socket 7/8"	80396	3/8" Drive 6 Point Deep Metric Socket 14mm
80361	3/8" Drive 6 Point Standard SAE Socket 15/16"	80397	3/8" Drive 6 Point Deep Metric Socket 15mm
80362	3/8" Drive 6 Point Standard SAE Socket 1"	80398	3/8" Drive 6 Point Deep Metric Socket 16mm
80363	3/8" Drive 6 Point Deep SAE Socket 1/4"	80399	3/8" Drive 6 Point Deep Metric Socket 17mm
80364	3/8" Drive 6 Point Deep SAE Socket 5/16"	80400	3/8" Drive 6 Point Deep Metric Socket 18mm
80365	3/8" Drive 6 Point Deep SAE Socket 3/8"	80401	3/8" Drive 6 Point Deep Metric Socket 19mm
80366	3/8" Drive 6 Point Deep SAE Socket 7/16"	80603	1/2" Drive 6 Point Standard SAE Socket 1/2"
80367	3/8" Drive 6 Point Deep SAE Socket 1/2"	80604	1/2" Drive 6 Point Standard SAE Socket 9/16"
80368	3/8" Drive 6 Point Deep SAE Socket 9/16"	80605	1/2" Drive 6 Point Standard SAE Socket 5/8"
80369	3/8" Drive 6 Point Deep SAE Socket 5/8"	80606	1/2" Drive 6 Point Standard SAE Socket 11/16"
80370D	3/8" Drive 6 Point Deep SAE Socket 11/16"	80607D	1/2" Drive 6 Point Standard SAE Socket 3/4"
80371	3/8" Drive 6 Point Deep SAE Socket 3/4"	80608	1/2" Drive 6 Point Standard SAE Socket 13/16"
80372	3/8" Drive 6 Point Deep SAE Socket 13/16"	80609	1/2" Drive 6 Point Standard SAE Socket 7/8"
80373	3/8" Drive 6 Point Deep SAE Socket 7/8"	80610D	1/2" Drive 6 Point Standard SAE Socket 15/16"
80374	3/8" Drive 6 Point Standard Metric Socket 6mm	80611	1/2" Drive 6 Point Standard SAE Socket 1"
80375	3/8" Drive 6 Point Standard Metric Socket 7mm	80612	1/2" Drive 6 Point Standard SAE Socket 1-1/16"
80376	3/8" Drive 6 Point Standard Metric Socket 8mm	80613	1/2" Drive 6 Point Standard SAE Socket 1-1/8"
80377	3/8" Drive 6 Point Standard Metric Socket 9mm	80624	1/2" Drive 6 Point Standard Metric Socket 12mm
80378	3/8" Drive 6 Point Standard Metric Socket 10mm	80625	1/2" Drive 6 Point Standard Metric Socket 13mm
80379	3/8" Drive 6 Point Standard Metric Socket 11mm	80626D	1/2" Drive 6 Point Standard Metric Socket 14mm
80380	3/8" Drive 6 Point Standard Metric Socket 12mm	80627	1/2" Drive 6 Point Standard Metric Socket 15mm
80381	3/8" Drive 6 Point Standard Metric Socket 13mm	80628	1/2" Drive 6 Point Standard Metric Socket 16mm
80382	3/8" Drive 6 Point Standard Metric Socket 14mm	80629	1/2" Drive 6 Point Standard Metric Socket 17mm
80383	3/8" Drive 6 Point Standard Metric Socket 15mm	80630	1/2" Drive 6 Point Standard Metric Socket 18mm
80384	3/8" Drive 6 Point Standard Metric Socket 16mm	80631	1/2" Drive 6 Point Standard Metric Socket 19mm
80385	3/8" Drive 6 Point Standard Metric Socket 17mm	80632	1/2" Drive 6 Point Standard Metric Socket 20mm
80386	3/8" Drive 6 Point Standard Metric Socket 18mm	80633	1/2" Drive 6 Point Standard Metric Socket 21mm
80387	3/8" Drive 6 Point Standard Metric Socket 19mm	80634	1/2" Drive 6 Point Standard Metric Socket 22mm
80388	3/8" Drive 6 Point Deep Metric Socket 6mm	80635	1/2" Drive 6 Point Standard Metric Socket 23mm
80389	3/8" Drive 6 Point Deep Metric Socket 7mm	80636D	1/2" Drive 6 Point Standard Metric Socket 24mm
80390	3/8" Drive 6 Point Deep Metric Socket 8mm		
80391	3/8" Drive 6 Point Deep Metric Socket 9mm		

**36 Pc. Auto Body TEP Career Builder Add-on Set**



Cat. No.	Included Storage	Product Weight
2038D	Window Molding Remover	84007
2311D	Shoe Handle Wire Scratch Brush	84063
-	Smooth Faced Cross Chisel Hammer	84065
-	Crossed Face Shrinking Hammer	80172
-	Heel Dolly	80174
-	Wedge Dolly	80176D
84001D	5" Cotter Pin Puller	80451
84003D	4-1/2" Awl	80453
84005	3-1/8" 90° Mini Hook	80455

Cat. No.	Description	Cat. No.	Description
84007	3-1/8" Mini Offset Hook	84063	Door Panel Remover - Square
84065	Trim Pad Tool	80172	1/4" Drive Torx® Bit Socket T10
80172	1/4" Drive Torx® Bit Socket T15	80174	1/4" Drive Torx® Bit Socket T20
80174	1/4" Drive Torx® Bit Socket T25	80176D	1/4" Drive Torx® Bit Socket T27
80176D	1/4" Drive Torx® Bit Socket T30	80451	3/8" Drive Torx® Bit Socket T40
80451	3/8" Drive Torx® Bit Socket T45	80453	3/8" Drive Torx® Bit Socket T47
80453	3/8" Drive Torx® Bit Socket T50	80455	3/8" Drive Torx® Bit Socket T55
80455	3/8" Drive Torx® Bit Socket T60		

## 257 Pc. Auto TEP Intermediate Set

- 84 tooth 1/4", 3/8" and 1/2" drive ratchets
- Extensions – 1/4", 3/8" and 1/2" drive
- Universal Joints – 1/4", 3/8" and 1/2"
- Sockets – 1/4" and 3/8" drive in standard and deep, SAE and metric, 1/2" drive in standard length SAE and metric
- Wrenches – long pattern combination in SAE and metric
- Screwdrivers – 12 piece set
- Pliers – 7 piece set and Double-X, Punches and Chisels – 12 piece set
- Hex Keys - 22 pieces long arm
- General Purpose Tools – hacksaw, hammers, utility knife, flashlight, locking pliers, safety glasses, tape measure
- Automotive Specialty Tools – low voltage circuit tester, feeler gauge, gasket scraper, screw starters, brake tools, inspection tools, and more



\* Please Note: Most tools GEARWRENCH branded. May include other leading Apex Tool Group brands.

Cat. No.	Included Storage	Product Weight
83095	None	71.000 lb

Cat. No.	Description	Cat. No.	Description
129D	6 & 12 Volt Low Voltage Circuit Tester	82259	16 oz. Rubber Mallet with Hickory Handle
162D	15 Blade SAE/Metric Feeler Gauge	82255	3 lb. Drilling Hammer with Fiberglass Handle
2840D	1-1/4" Round Telescopic Magnifying Mirror with Pocket Clip	82261	1/4" x 4-3/4" Cold Chisel
2593	25-1/2" Telescoping Magnetic Pickup Tool 1-1/2 lb. Capacity	82262	3/8" x 5" Cold Chisel
2774D	Universal Brake Shoe Retaining Spring Tool	82264	1/2" x 6" Cold Chisel
298D	12" Brake Spring Pliers	82265	5/8" x 6-1/2" Cold Chisel
3163D	Disc Brake Piston Tool	82270	5/32" x 5" Center Punch
84083	1" Wide Scraper Long	82272	3/32" x 4-3/4" Pin Punch
WKF2	Quick-Change Folding Blade Utility Knife	82273	1/8" x 5" Pin Punch
80965	12" Cushion Grip High Tension Hacksaw Frame	82274	5/32" x 5-1/4" Pin Punch
PHV1316N	3/4" x 16" Hi-Viz® Orange P1000 Tape Measure	82275	3/16" x 5-1/2" Pin Punch
83122	125 Lumen Rechargeable Penlight	82278	1/8" x 8" Long Taper Punch
-	Safety Glasses	82283	3/16" x 5" Starter Punch
82012	7" Dual Material Diagonal Cutting Pliers	82285	1/8" x 4-1/2" Starter Punch
82013	8" Dual Material Long Nose Pliers	80000	Dual Material Phillips® Screwdriver #0 x 2-1/2"
82014	8" Dual Material Slip Joint Pliers	80001	Dual Material Phillips® Screwdriver #1 x 3"
82025	8" Dual Material Lineman's Pliers	80004	Dual Material Phillips® Screwdriver #1 x 6"
82028	8" Dual Material End Cutting Nipper Pliers	80005	Dual Material Phillips® Screwdriver #2 x 1-1/2"
82011	9-1/2" Dual Material Tongue and Groove Pliers	80007	Dual Material Phillips® Screwdriver #2 x 4"
82020D	12" Dual Material Straight Jaw Groove Joint Pliers	80011	Dual Material Phillips® Screwdriver #3 x 6"
C5CVN	5" Curved Jaw Locking Plier With Wire Cutter	80012D	Dual Material Slotted Screwdriver 1/4" x 1-1/2"
C6NVN	Long Nose Locking Plier	80013	Dual Material Slotted Screwdriver 1/4" x 4"
C10CVN	10" Curved Jaw Locking Plier With Wire Cutter	80014	Dual Material Slotted Screwdriver 1/4" x 6"
82005D	Double-X™ Straight Pliers	80018D	Dual Material Slotted Screwdriver 3/16" x 6"
2162D	Electrical Wire Stripper and Crimper	80022	Dual Material Slotted Screwdriver 3/8" x 8"
3151	Large Universal Convertible Retaining Ring Pliers	80023	Dual Material Slotted Screwdriver 5/16" x 6"
82260	12 oz. Soft Face Hammer with Black Comfort Grip Handle	2283	5-5/8" Phillips® Screw Starter
82251	16 oz. Ball Pein Hammer with Fiberglass Handle	2282D	5-5/8" Slotted Screw Starter

Cat. No.	Description	Cat. No.	Description
56615G	9 Piece Long Arm Metric Ball-Plus® Hex Key Set	81211F	3/8" Drive 84 Tooth Teardrop Ratchet 8-1/4"
80171	1/4" Drive Torx® Bit Socket T8	81307	1/2" Drive Breaker Bar 15"
80173	1/4" Drive Torx® Bit Socket T15	81241	3/8" Drive Extension 3"
80175	1/4" Drive Torx® Bit Socket T25	81341	1/2" Drive Extension 5"
80177D	1/4" Drive Torx® Bit Socket T30	80549	3/8" Drive Universal Joint
80452	3/8" Drive Torx® Bit Socket T45	80402	3/8" Drive 6 Point 2-1/2" Spark Plug Socket 5/8"
80454	3/8" Drive Torx® Bit Socket T50	80105	1/4" Drive 6 Point Standard SAE Socket 3/16"
80667	1/2" Drive Torx® Bit Socket T60	80107	1/4" Drive 6 Point Standard SAE Socket 1/4"
81651D	9/32" 12 Point Long Pattern Combination Wrench	80109	1/4" Drive 6 Point Standard SAE Socket 5/16"
81653	11/32" 12 Point Long Pattern Combination Wrench	80111	1/4" Drive 6 Point Standard SAE Socket 3/8"
81655	7/16" 12 Point Long Pattern Combination Wrench	80113D	1/4" Drive 6 Point Standard SAE Socket 1/2"
81657	9/16" 12 Point Long Pattern Combination Wrench	80115	1/4" Drive 6 Point Deep SAE Socket 3/16"
81659	11/16" 12 Point Long Pattern Combination Wrench	80117	1/4" Drive 6 Point Deep SAE Socket 1/4"
81661	13/16" 12 Point Long Pattern Combination Wrench	80119	1/4" Drive 6 Point Deep SAE Socket 5/16"
81663	15/16" 12 Point Long Pattern Combination Wrench	80121	1/4" Drive 6 Point Deep SAE Socket 3/8"
81665	8mm 12 Point Long Pattern Combination Wrench	80123	1/4" Drive 6 Point Deep SAE Socket 7/16"
81667	10mm 12 Point Long Pattern Combination Wrench	80125	1/4" Drive 6 Point Deep SAE Socket 9/16"
81669	12mm 12 Point Long Pattern Combination Wrench	80127	1/4" Drive 6 Point Standard Metric Socket 4mm
81671	14mm 12 Point Long Pattern Combination Wrench	80129	1/4" Drive 6 Point Standard Metric Socket 5mm
81673	16mm 12 Point Long Pattern Combination Wrench	80131D	1/4" Drive 6 Point Standard Metric Socket 6mm
81675	18mm 12 Point Long Pattern Combination Wrench	80133	1/4" Drive 6 Point Standard Metric Socket 7mm
81677	20mm 12 Point Long Pattern Combination Wrench	80135D	1/4" Drive 6 Point Standard Metric Socket 8mm
81679	22mm 12 Point Long Pattern Combination Wrench	80137	1/4" Drive 6 Point Standard Metric Socket 9mm

continued on next page

**Auto TEP Intermediate Set** ■ *continued from previous page*

Cat. No.	Description	Cat. No.	Description
80138	1/4" Drive 6 Point Deep Metric Socket 4mm	80381	3/8" Drive 6 Point Standard Metric Socket 13mm
80139	1/4" Drive 6 Point Deep Metric Socket 5mm	80382	3/8" Drive 6 Point Standard Metric Socket 14mm
80140	1/4" Drive 6 Point Deep Metric Socket 5.5mm	80383	3/8" Drive 6 Point Standard Metric Socket 15mm
80141	1/4" Drive 6 Point Deep Metric Socket 6mm	80384	3/8" Drive 6 Point Standard Metric Socket 16mm
80142	1/4" Drive 6 Point Deep Metric Socket 7mm	80385	3/8" Drive 6 Point Standard Metric Socket 17mm
80143	1/4" Drive 6 Point Deep Metric Socket 8mm	80386	3/8" Drive 6 Point Standard Metric Socket 18mm
80144	1/4" Drive 6 Point Deep Metric Socket 9mm	80387	3/8" Drive 6 Point Standard Metric Socket 19mm
80145	1/4" Drive 6 Point Deep Metric Socket 10mm	80388	3/8" Drive 6 Point Deep Metric Socket 6mm
80146D	1/4" Drive 6 Point Deep Metric Socket 11mm	80389	3/8" Drive 6 Point Deep Metric Socket 7mm
80147	1/4" Drive 6 Point Deep Metric Socket 12mm	80390	3/8" Drive 6 Point Deep Metric Socket 8mm
80148	1/4" Drive 6 Point Deep Metric Socket 13mm	80391	3/8" Drive 6 Point Deep Metric Socket 9mm
80149	1/4" Drive 6 Point Deep Metric Socket 14mm	80392	3/8" Drive 6 Point Deep Metric Socket 10mm
80150	1/4" Drive 6 Point Deep Metric Socket 15mm	80393D	3/8" Drive 6 Point Deep Metric Socket 11mm
80350	3/8" Drive 6 Point Standard SAE Socket 1/4"	80394D	3/8" Drive 6 Point Deep Metric Socket 12mm
80351	3/8" Drive 6 Point Standard SAE Socket 5/16"	80395	3/8" Drive 6 Point Deep Metric Socket 13mm
80352	3/8" Drive 6 Point Standard SAE Socket 3/8"	80396	3/8" Drive 6 Point Deep Metric Socket 14mm
80353	3/8" Drive 6 Point Standard SAE Socket 7/16"	80397	3/8" Drive 6 Point Deep Metric Socket 15mm
80354	3/8" Drive 6 Point Standard SAE Socket 1/2"	80398	3/8" Drive 6 Point Deep Metric Socket 16mm
80355	3/8" Drive 6 Point Standard SAE Socket 9/16"	80399	3/8" Drive 6 Point Deep Metric Socket 17mm
80356	3/8" Drive 6 Point Standard SAE Socket 5/8"	80400	3/8" Drive 6 Point Deep Metric Socket 18mm
80357	3/8" Drive 6 Point Standard SAE Socket 11/16"	80401	3/8" Drive 6 Point Deep Metric Socket 19mm
80358	3/8" Drive 6 Point Standard SAE Socket 3/4"	80603	1/2" Drive 6 Point Standard SAE Socket 1/2"
80359	3/8" Drive 6 Point Standard SAE Socket 13/16"	80604	1/2" Drive 6 Point Standard SAE Socket 9/16"
80360	3/8" Drive 6 Point Standard SAE Socket 7/8"	80605	1/2" Drive 6 Point Standard SAE Socket 5/8"
80361	3/8" Drive 6 Point Standard SAE Socket 15/16"	80606	1/2" Drive 6 Point Standard SAE Socket 11/16"
80362	3/8" Drive 6 Point Standard SAE Socket 1"	80607D	1/2" Drive 6 Point Standard SAE Socket 3/4"
80363	3/8" Drive 6 Point Deep SAE Socket 1/4"	80608	1/2" Drive 6 Point Standard SAE Socket 13/16"
80364	3/8" Drive 6 Point Deep SAE Socket 5/16"	80609	1/2" Drive 6 Point Standard SAE Socket 7/8"
80365	3/8" Drive 6 Point Deep SAE Socket 3/8"	80610D	1/2" Drive 6 Point Standard SAE Socket 15/16"
80366	3/8" Drive 6 Point Deep SAE Socket 7/16"	80611	1/2" Drive 6 Point Standard SAE Socket 1"
80367	3/8" Drive 6 Point Deep SAE Socket 1/2"	80612	1/2" Drive 6 Point Standard SAE Socket 1-1/16"
80368	3/8" Drive 6 Point Deep SAE Socket 9/16"	80613	1/2" Drive 6 Point Standard SAE Socket 1-1/8"
80369	3/8" Drive 6 Point Deep SAE Socket 5/8"	80624	1/2" Drive 6 Point Standard Metric Socket 12mm
80370D	3/8" Drive 6 Point Deep SAE Socket 11/16"	80625	1/2" Drive 6 Point Standard Metric Socket 13mm
80371	3/8" Drive 6 Point Deep SAE Socket 3/4"	80626D	1/2" Drive 6 Point Standard Metric Socket 14mm
80372	3/8" Drive 6 Point Deep SAE Socket 13/16"	80627	1/2" Drive 6 Point Standard Metric Socket 15mm
80373	3/8" Drive 6 Point Deep SAE Socket 7/8"	80628	1/2" Drive 6 Point Standard Metric Socket 16mm
80374	3/8" Drive 6 Point Standard Metric Socket 6mm	80629	1/2" Drive 6 Point Standard Metric Socket 17mm
80375	3/8" Drive 6 Point Standard Metric Socket 7mm	80630	1/2" Drive 6 Point Standard Metric Socket 18mm
80376	3/8" Drive 6 Point Standard Metric Socket 8mm	80631	1/2" Drive 6 Point Standard Metric Socket 19mm
80377	3/8" Drive 6 Point Standard Metric Socket 9mm	80632	1/2" Drive 6 Point Standard Metric Socket 20mm
80378	3/8" Drive 6 Point Standard Metric Socket 10mm	80633	1/2" Drive 6 Point Standard Metric Socket 21mm
80379	3/8" Drive 6 Point Standard Metric Socket 11mm	80634	1/2" Drive 6 Point Standard Metric Socket 22mm
80380	3/8" Drive 6 Point Standard Metric Socket 12mm	80635	1/2" Drive 6 Point Standard Metric Socket 23mm
		80636D	1/2" Drive 6 Point Standard Metric Socket 24mm

**257 Pc. Diesel TEP Intermediate Set**



Cat. No.	Included Storage	Product Weight
162D	15 Blade SAE/Metric Feeler Gauge	82275
2593	25-1/2" Telescoping Magnetic Pickup Tool 1-1/2 lb. Capacity	82270
84083	1" Wide Scraper Long	82285
83122	125 Lumen Rechargeable Penlight	82262
-	Safety Glasses	82265
82220	13/16" x 33" Extendable Indexing Pry Bar	80005
82013	8" Dual Material Long Nose Pliers	80011
82011	9-1/2" Dual Material Tongue and Groove Pliers	80012D
C5CVN	5" Curved Jaw Locking Plier With Wire Cutter	80013
C10CVN	10" Curved Jaw Locking Plier With Wire Cutter	80018D
82255	3 lb. Drilling Hammer with Fiberglass Handle	80023
82260	12 oz. Soft Face Hammer with Black Comfort Grip Handle	2282D
82273	1/8" x 5" Pin Punch	56615G

Cat. No.	Description	Cat. No.	Description
82275	3/16" x 5-1/2" Pin Punch	80005	Dual Material Phillips® Screwdriver #2 x 1-1/2"
82270	5/32" x 5" Center Punch	80011	Dual Material Phillips® Screwdriver #3 x 6"
82285	1/8" x 4-1/2" Starter Punch	80012D	Dual Material Slotted Screwdriver 1/4" x 1-1/2"
82262	3/8" x 5" Cold Chisel	80013	Dual Material Slotted Screwdriver 1/4" x 4"
82265	5/8" x 6-1/2" Cold Chisel	80018D	Dual Material Slotted Screwdriver 3/16" x 6"
80005	Dual Material Phillips® Screwdriver #1 x 6"	80023	Dual Material Slotted Screwdriver 5/16" x 6"
80011	Dual Material Phillips® Screwdriver #2 x 4"	2282D	5-5/8" Slotted Screw Starter
80012D	Dual Material Phillips® Screwdriver #0 x 2-1/2"	56615G	9 Piece Long Arm Metric Ball-Plus® Hex Key Set
80013	Dual Material Phillips® Screwdriver #1 x 3"		
80018D	Dual Material Slotted Screwdriver 1/4" x 6"		
80023	Dual Material Slotted Screwdriver 3/8" x 8"		
2282D	5-5/8" Phillips® Screw Starter		
56615G	13 Piece Long Arm SAE Hex Key Set		

*continued on next page*



## Diesel TEP Intermediate Set ■ continued from previous page

Cat. No.	Description	Cat. No.	Description
81128	1/4" Drive Spinner Handle 7-3/4"	81677	20mm 12 Point Long Pattern Combination Wrench
80171	1/4" Drive Torx® Bit Socket T8	81678	21mm 12 Point Long Pattern Combination Wrench
80172	1/4" Drive Torx® Bit Socket T10	81679	22mm 12 Point Long Pattern Combination Wrench
80173	1/4" Drive Torx® Bit Socket T15	81741	23mm 12 Point Long Pattern Combination Wrench
80174	1/4" Drive Torx® Bit Socket T20	81742	24mm 12 Point Long Pattern Combination Wrench
80175	1/4" Drive Torx® Bit Socket T25	81743	27mm 12 Point Long Pattern Combination Wrench
80176D	1/4" Drive Torx® Bit Socket T27	81744	30mm 12 Point Long Pattern Combination Wrench
80177D	1/4" Drive Torx® Bit Socket T30	81745D	32mm 12 Point Long Pattern Combination Wrench
80451	3/8" Drive Torx® Bit Socket T40	81011F	1/4" Drive 84 Tooth Teardrop Ratchet 5"
80452	3/8" Drive Torx® Bit Socket T45	81211F	3/8" Drive 84 Tooth Teardrop Ratchet 8-1/4"
80453	3/8" Drive Torx® Bit Socket T47	81304F	1/2" Drive 84 Tooth Teardrop Ratchet 11"
80454	3/8" Drive Torx® Bit Socket T50	81307	1/2" Drive Breaker Bar 15"
80455	3/8" Drive Torx® Bit Socket T55	81113D	1/4" Drive Extension 3"
80667	1/2" Drive Torx® Bit Socket T60	81241	3/8" Drive Extension 3"
81650	1/4" 12 Point Long Pattern Combination Wrench	81242	3/8" Drive Extension 6"
81651D	9/32" 12 Point Long Pattern Combination Wrench	81341	1/2" Drive Extension 5"
81652D	5/16" 12 Point Long Pattern Combination Wrench	81342	1/2" Drive Extension 10"
81653	11/32" 12 Point Long Pattern Combination Wrench	80100	1/4" Drive Universal Joint
81654	3/8" 12 Point Long Pattern Combination Wrench	80549	3/8" Drive Universal Joint
81655	7/16" 12 Point Long Pattern Combination Wrench	80600D	1/2" Drive Universal Joint
81656	1/2" 12 Point Long Pattern Combination Wrench	80402	3/8" Drive 6 Point 2-1/2" Spark Plug Socket 5/8"
81657	9/16" 12 Point Long Pattern Combination Wrench	80403	3/8" Drive 6 Point 2-1/2" Spark Plug Socket 13/16"
81658	5/8" 12 Point Long Pattern Combination Wrench	80105	1/4" Drive 6 Point Standard SAE Socket 3/16"
81659	11/16" 12 Point Long Pattern Combination Wrench	80106	1/4" Drive 6 Point Standard SAE Socket 7/32"
81660	3/4" 12 Point Long Pattern Combination Wrench	80107	1/4" Drive 6 Point Standard SAE Socket 1/4"
81661	13/16" 12 Point Long Pattern Combination Wrench	80108	1/4" Drive 6 Point Standard SAE Socket 9/32"
81662	7/8" 12 Point Long Pattern Combination Wrench	80109	1/4" Drive 6 Point Standard SAE Socket 5/16"
81663	15/16" 12 Point Long Pattern Combination Wrench	80110	1/4" Drive 6 Point Standard SAE Socket 11/32"
81664	1" 12 Point Long Pattern Combination Wrench	80111	1/4" Drive 6 Point Standard SAE Socket 3/8"
81733	1-1/16" 12 Point Long Pattern Combination Wrench	80112	1/4" Drive 6 Point Standard SAE Socket 7/16"
81734	1-1/8" 12 Point Long Pattern Combination Wrench	80113D	1/4" Drive 6 Point Standard SAE Socket 1/2"
81735	1-1/4" 12 Point Long Pattern Combination Wrench	80114D	1/4" Drive 6 Point Standard SAE Socket 9/16"
81736	6mm 12 Point Long Pattern Combination Wrench	80125	1/4" Drive 6 Point Standard Metric Socket 4mm
81737	7mm 12 Point Long Pattern Combination Wrench	80126	1/4" Drive 6 Point Standard Metric Socket 5mm
81665	8mm 12 Point Long Pattern Combination Wrench	80127	1/4" Drive 6 Point Standard Metric Socket 5.5mm
81666	9mm 12 Point Long Pattern Combination Wrench	80128	1/4" Drive 6 Point Standard Metric Socket 6mm
81667	10mm 12 Point Long Pattern Combination Wrench	80129	1/4" Drive 6 Point Standard Metric Socket 7mm
81668	11mm 12 Point Long Pattern Combination Wrench	80128	1/4" Drive 6 Point Standard Metric Socket 6mm
81669	12mm 12 Point Long Pattern Combination Wrench	80129	1/4" Drive 6 Point Standard Metric Socket 7mm
81670	13mm 12 Point Long Pattern Combination Wrench	80128	1/4" Drive 6 Point Standard Metric Socket 6mm
81671	14mm 12 Point Long Pattern Combination Wrench	80130	1/4" Drive 6 Point Standard Metric Socket 8mm
81672	15mm 12 Point Long Pattern Combination Wrench	80131D	1/4" Drive 6 Point Standard Metric Socket 9mm
81673	16mm 12 Point Long Pattern Combination Wrench	80132	1/4" Drive 6 Point Standard Metric Socket 10mm
81674	17mm 12 Point Long Pattern Combination Wrench	80133	1/4" Drive 6 Point Standard Metric Socket 11mm
81675	18mm 12 Point Long Pattern Combination Wrench	80134	1/4" Drive 6 Point Standard Metric Socket 12mm
81676	19mm 12 Point Long Pattern Combination Wrench	80135D	1/4" Drive 6 Point Standard Metric Socket 13mm
		80136	1/4" Drive 6 Point Standard Metric Socket 14mm
		80137	1/4" Drive 6 Point Standard Metric Socket 15mm
		80350	3/8" Drive 6 Point Standard SAE Socket 1/4"

Cat. No.	Description	Cat. No.	Description
80352	3/8" Drive 6 Point Standard SAE Socket 3/8"	80400	3/8" Drive 6 Point Deep Metric Socket 18mm
80354	3/8" Drive 6 Point Standard SAE Socket 1/2"	80603	1/2" Drive 6 Point Standard SAE Socket 1/2"
80356	3/8" Drive 6 Point Standard SAE Socket 5/8"	80605	1/2" Drive 6 Point Standard SAE Socket 5/8"
80358	3/8" Drive 6 Point Standard SAE Socket 3/4"	80607D	1/2" Drive 6 Point Standard SAE Socket 3/4"
80360	3/8" Drive 6 Point Standard SAE Socket 7/8"	80609	1/2" Drive 6 Point Standard SAE Socket 7/8"
80362	3/8" Drive 6 Point Standard SAE Socket 1"	80611	1/2" Drive 6 Point Standard SAE Socket 1"
80375	3/8" Drive 6 Point Standard Metric Socket 7mm	80613	1/2" Drive 6 Point Standard SAE Socket 1-1/8"
80377	3/8" Drive 6 Point Standard Metric Socket 9mm	80625	1/2" Drive 6 Point Standard Metric Socket 13mm
80379	3/8" Drive 6 Point Standard Metric Socket 11mm	80627	1/2" Drive 6 Point Standard Metric Socket 15mm
80381	3/8" Drive 6 Point Standard Metric Socket 13mm	80629	1/2" Drive 6 Point Standard Metric Socket 17mm
80383	3/8" Drive 6 Point Standard Metric Socket 15mm	80631	1/2" Drive 6 Point Standard Metric Socket 19mm
80385	3/8" Drive 6 Point Standard Metric Socket 17mm	80633	1/2" Drive 6 Point Standard Metric Socket 21mm
80387	3/8" Drive 6 Point Standard Metric Socket 19mm	80635	1/2" Drive 6 Point Standard Metric Socket 23mm
80364	3/8" Drive 6 Point Deep SAE Socket 5/16"	80614	1/2" Drive 6 Point Deep SAE Socket 1/2"
80366	3/8" Drive 6 Point Deep SAE Socket 7/16"	80616	1/2" Drive 6 Point Deep SAE Socket 5/8"
80368	3/8" Drive 6 Point Deep SAE Socket 9/16"	80618	1/2" Drive 6 Point Deep SAE Socket 3/4"
80370D	3/8" Drive 6 Point Deep SAE Socket 11/16"	80620	1/2" Drive 6 Point Deep SAE Socket 7/8"
80372	3/8" Drive 6 Point Deep SAE Socket 13/16"	80637	1/2" Drive 6 Point Deep Metric Socket 10mm
80388	3/8" Drive 6 Point Deep Metric Socket 6mm	80639	1/2" Drive 6 Point Deep Metric Socket 12mm
80390	3/8" Drive 6 Point Deep Metric Socket 8mm	80641	1/2" Drive 6 Point Deep Metric Socket 14mm
80392	3/8" Drive 6 Point Deep Metric Socket 10mm	80643	1/2" Drive 6 Point Deep Metric Socket 16mm
80394D	3/8" Drive 6 Point Deep Metric Socket 12mm	80645	1/2" Drive 6 Point Deep Metric Socket 18mm
80396	3/8" Drive 6 Point Deep Metric Socket 14mm		1/2" Drive 6 Point Deep Metric Socket 19mm
80398	3/8" Drive 6 Point Deep Metric Socket 16mm		



## 90 Pc. Aviation TEP Introductory Set

- 84 tooth 1/4" and 3/8" drive ratchets 3/8" drive spinner handle
- Extensions – 1/4" and 3/8" drive
- Universal Joints – 1/4" and 3/8" drive
- Sockets – 1/4" and 3/8" drive standard and deep, SAE sizes
- Wrenches – long pattern combination in SAE and metric sizes
- Screwdrivers – 6 piece set
- Pliers – 4 piece set
- General Purpose Tools – ear muffs, safety glasses, tool box with tote
- Specialty Tools – flexible pickup tool, inspection tools, wire stripper/crimper, scraper, and more



\* Please Note: Most tools GEARWRENCH branded. May include other leading Apex Tool Group brands.

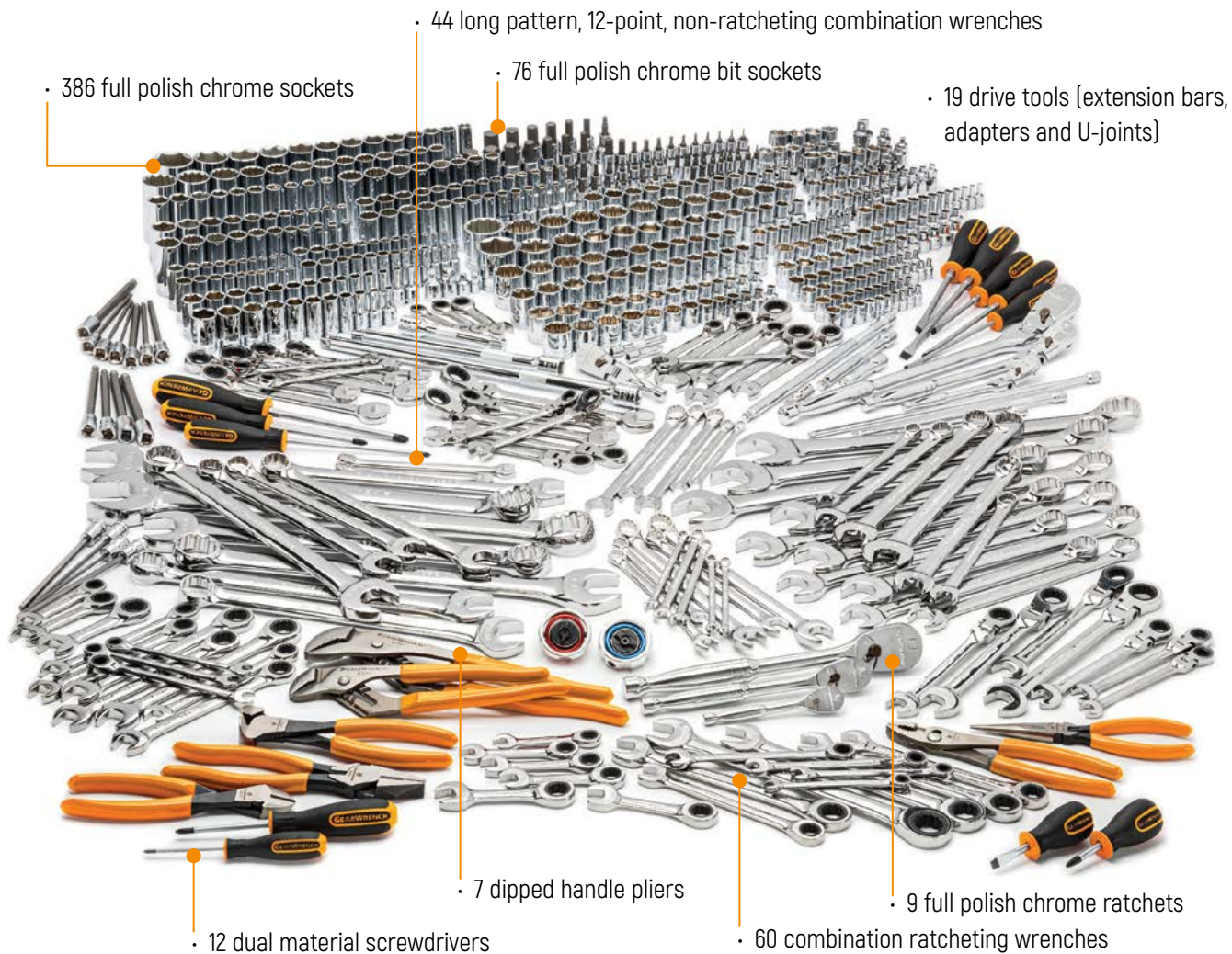
Cat. No.	Included Storage	Product Weight
83080	Metal Hand Box	31.500 lb

Cat. No.	Description	Cat. No.	Description
2162D	Electrical Wire Stripper and Crimper	81659	11/16" 12 Point Long Pattern Combination Wrench
2391	23" Flexible Retrieving Tool	81660	3/4" 12 Point Long Pattern Combination Wrench
-	Putty Knife	81661	13/16" 12 Point Long Pattern Combination Wrench
2593	25-1/2" Telescoping Magnetic Pickup Tool 1-1/2 lb. Capacity	81662	7/8" 12 Point Long Pattern Combination Wrench
2840D	1-1/4" Round Telescopic Magnifying Mirror with Pocket Clip	81663	15/16" 12 Point Long Pattern Combination Wrench
2979	Scriber	81664	1" 12 Point Long Pattern Combination Wrench
-	Ear Muffs	81011F	1/4" Drive 84 Tooth Teardrop Ratchet 5"
-	Safety Glasses	81211F	3/8" Drive 84 Tooth Teardrop Ratchet 8-1/4"
83130	20" Black Steel Tote Box	81128	1/4" Drive Spinner Handle 7-3/4"
80001	Dual Material Phillips® Screwdriver #1 x 3"	81239	3/8" Drive Speeder Handle 16-3/4"
80007	Dual Material Phillips® Screwdriver #2 x 4"	81113D	1/4" Drive Extension 3"
80013	Dual Material Slotted Screwdriver 1/4" x 4"	81116	1/4" Drive Extension 6"
80015	Dual Material Slotted Screwdriver 1/8" x 4"	81242	3/8" Drive Extension 6"
80022	Dual Material Slotted Screwdriver 3/8" x 8"	80100	1/4" Drive Universal Joint
80023	Dual Material Slotted Screwdriver 5/16" x 6"	80549	3/8" Drive Universal Joint
2283	5-5/8" Phillips® Screw Starter	80210	1/4" Drive 12 Point Standard SAE Socket 3/16"
2282D	5-5/8" Slotted Screw Starter	80211	1/4" Drive 12 Point Standard SAE Socket 7/32"
82012	7" Dual Material Diagonal Cutting Pliers	80212	1/4" Drive 12 Point Standard SAE Socket 1/4"
82013	8" Dual Material Long Nose Pliers	80213	1/4" Drive 12 Point Standard SAE Socket 9/32"
82014	8" Dual Material Slip Joint Pliers	80214	1/4" Drive 12 Point Standard SAE Socket 5/16"
82011	9-1/2" Dual Material Tongue and Groove Pliers	80215D	1/4" Drive 12 Point Standard SAE Socket 11/32"
81650	1/4" 12 Point Long Pattern Combination Wrench	80216	1/4" Drive 12 Point Standard SAE Socket 3/8"
81651D	9/32" 12 Point Long Pattern Combination Wrench	80217	1/4" Drive 12 Point Standard SAE Socket 7/16"
81652D	5/16" 12 Point Long Pattern Combination Wrench	80218	1/4" Drive 12 Point Standard SAE Socket 1/2"
81653	11/32" 12 Point Long Pattern Combination Wrench	80219	1/4" Drive 12 Point Standard SAE Socket 9/16"
81654	3/8" 12 Point Long Pattern Combination Wrench	80220	1/4" Drive 12 Point Deep SAE Socket 3/16"
81655	7/16" 12 Point Long Pattern Combination Wrench	80221	1/4" Drive 12 Point Deep SAE Socket 7/32"
81656	1/2" 12 Point Long Pattern Combination Wrench	80222	1/4" Drive 12 Point Deep SAE Socket 1/4"
81657	9/16" 12 Point Long Pattern Combination Wrench	80223D	1/4" Drive 12 Point Deep SAE Socket 9/32"
81658	5/8" 12 Point Long Pattern Combination Wrench	80224	1/4" Drive 12 Point Deep SAE Socket 5/16"

Cat. No.	Description	Cat. No.	Description
80226	1/4" Drive 12 Point Deep SAE Socket 3/8"	80508	3/8" Drive 12 Point Standard SAE Socket 1"
80228	1/4" Drive 12 Point Deep SAE Socket 1/2"	80510D	3/8 Drive 12 Point Deep SAE Socket 5/16"
80496	3/8" Drive 12 Point Standard SAE Socket 1/4"	80512	3/8 Drive 12 Point Deep SAE Socket 7/16"
80498	3/8" Drive 12 Point Standard SAE Socket 3/8"	80514	3/8 Drive 12 Point Deep SAE Socket 9/16"
80500D	3/8" Drive 12 Point Standard SAE Socket 1/2"	80516	3/8 Drive 12 Point Deep SAE Socket 11/16"
80502	3/8" Drive 12 Point Standard SAE Socket 5/8"	80518	3/8 Drive 12 Point Deep SAE Socket 13/16"
80504	3/8" Drive 12 Point Standard SAE Socket 3/4"		
80506D	3/8" Drive 12 Point Standard SAE Socket 7/8"		

## 613-Pc Master Mechanic's Hand Tool Set

MASTER SETS



Part Number	Description					
89060	613-Pc Master Mechanic's Hand Tool Set					
Product Type	Unit Count	Sizes Included	Product Type	Unit Count	Sizes Included	
Standard Handle Ratchet	3	1/4"x1, 3/8"x1, 1/2"x1	Phillips® Bit Socket	3	3/8"x3	
Flex Head Ratchet	3	1/4"x1, 3/8"x1, 1/2"x1	Pozidriv® Bit Socket	1	3/8"x1	
Stubby Flex Head Ratchet	1	3/8"x1	12pt Long Pattern Non-Ratcheting Wrench	44	SAEx19 MMx25	
Gimbal Ratchet	2	1/4"x1, 3/8"x1	Ratcheting Wrench	20	SAEx10 MMx10	
Universal Joint	3	1/4"x1, 3/8"x1, 1/2"x1	Stubby Ratcheting Wrench	12	SAEx6 MMx6	
Extension Bar	12	1/4"x5, 3/8"x4, 1/2"x3	Reversing Ratcheting Wrench	14	SAEx7 MMx7	
Female to Male Drive Adapter	4	1/4, 3/8"x2, 1/2"	Flex Head Ratcheting Wrench	14	SAEx7 MMx7	
Standard 6pt Full Polish Chrome Socket	77	1/4"x23, 3/8"x27, 1/2"x27	Tongue & Groove Pliers	2	10", 12"	
Standard 6pt Full Polish Chrome Flex Socket	36	1/4"x19, 3/8"x17	Diagonal Pliers	1	7"	
Semi-Deep 6pt Full Polish Chrome Socket	48	1/4"x23, 3/8"x25	Slip Joint Pliers	1	6"	
Deep 6pt Full Polish Chrome Socket	71	1/4"x23, 3/8"x25, 1/2"x23	Long Nose Pliers	1	7-1/2"	
Standard 12pt Full Polish Chrome Socket	85	1/4"x23, 3/8"x27, 1/2"x35	Linemans Pliers	1	8"	
Deep 12pt Full Polish Chrome Socket	69	1/4"x23, 3/8"x25, 1/2"x21	End Nipper Pliers	1	7"	
Standard Hex Bit Socket	54	1/4"x16, 3/8"x24, 1/2"x14	Cabinet Tip Screwdriver	1	3/16"x6"	
Long Length Ball End Hex Bit Socket	15	3/8"x15	Slotted Tip Screwdriver	5	1/4"x2", 1/4"x4", 1/4"x6", 5/16"x6", 3/8"x8"	
Slotted Bit Socket	3	3/8"x3	Phillips® Tip Screwdriver	6	#0x2-1/2", #1x3", #1x6", #2x1-1/2", #2x4", #3x6"	