



Hella marine
Vision and Innovation



Product News

Latest additions to the Hella marine range



LED Sea Hawk-R

7w 550 Lumen

Compact, high performance LED floodlights

New !

Sea Hawk-R

LED Floodlights



Future technology has been applied to the successful Sea Hawk series for class leading efficiency and guaranteed durability.

Hi-tech materials

Sea Hawk-R housings are 'Non-metal', injection moulded from a revolutionary thermally conductive polymer that is highly resistant to degradation, even under harsh UV.

This advanced material draws heat away from internal electronics for reliable long-term operation. Utilising thermal polymer eliminates the requirement for a aluminium housing in this class of floodlight, removing potential surface deterioration and material corrosion risks associated with coated metal in the harsh marine environment.

The lens is precision moulded from high performance Grilamid® for strength and durability.

Multivolt™ 9-33V DC

Advanced electronics ensure reliable illumination and lamp protection even under severe voltage fluctuations and low battery voltages.

Engineered light pattern

Sophisticated optics deliver a broad and even illumination without glare or harsh point sources. Specifically developed to illuminate a wide, close-range spread over a cockpit, foredeck or working area.

Pre-wired with twin core marine cable

High quality sealed cable assemblies for time saving, completely sealed installations.

Designed and manufactured in New Zealand

Sea Hawk lamps carry a 5 year warranty.



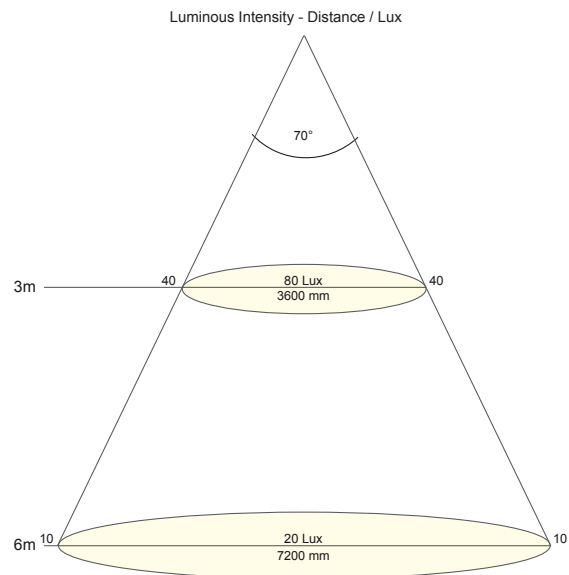
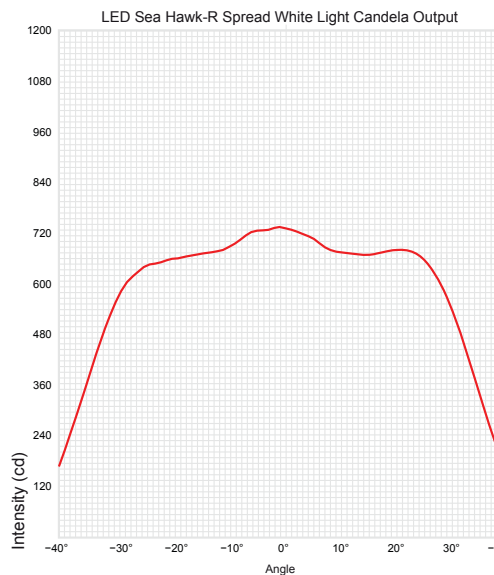
Friction mounts allow adjustment without tools.



Completely sealed lamp and cable entry. Polished 316 stainless steel bracket.



Sea Hawk-R Candela and Lux performance.

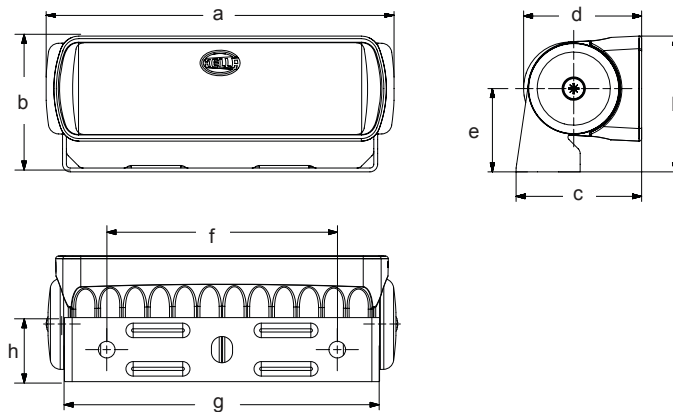


Hella marine Sea Hawk-R series. Compact, high performance LED floodlights



Packaging for
aftermarket presentation

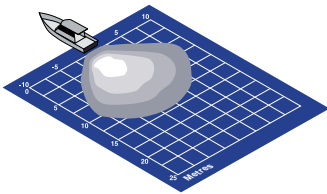
Material Description	'Non metal' thermally conductive polymer housing Heavy duty Grilamid® lens
Bracket	Polished 316 stainless steel
Colour Temperature	5000K (White) / 3000K (Warm White)
Cable	Pre-wired with 0.5m of twin core marine cable
Operating Voltage	Multivolt™ 9-33V DC
Degree of Protection	IP 67 - Completely Sealed
Power Consumption	7W (0.58A@12V / 0.29A@24V)
Weight	250g (including cable)
Light Output	550 lumens (White) / 380 lumens (Warm White)
Approvals	CE, C-Tick



Dimensions

a = 136mm	/ 5.35"
b = 53.0mm	/ 2.08"
c = 49.0mm	/ 1.93"
d = 46.0mm	/ 1.81"
e = 32.5mm	/ 1.28"
f = 90.0mm	/ 3.54"
g = 123mm	/ 4.84"
h = 25.0mm	/ 0.98"

Sea Hawk-R Bracket Mount



LED
Multivolt

White Light LED Floodlights - Spread

Voltage	Housing Colour	Part Number
9-33V DC	Black Housing	2LT 980 573-011
9-33V DC	White Housing	2LT 980 573-021



LED
Multivolt

Warm White Light LED Floodlights - Spread

Voltage	Housing Colour	Part Number
9-33V DC	Black Housing	2LT 980 573-051
9-33V DC	White Housing	2LT 980 573-061

