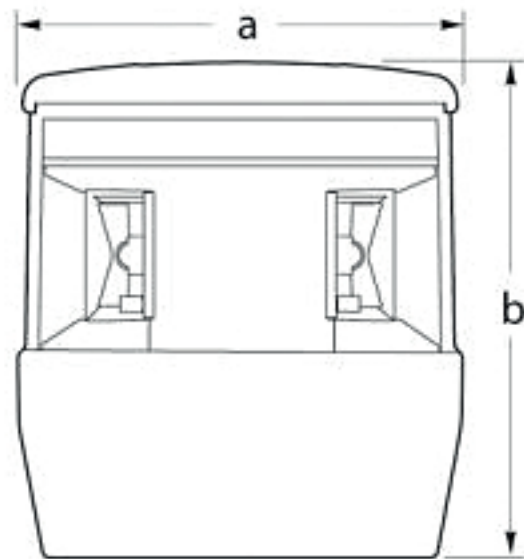
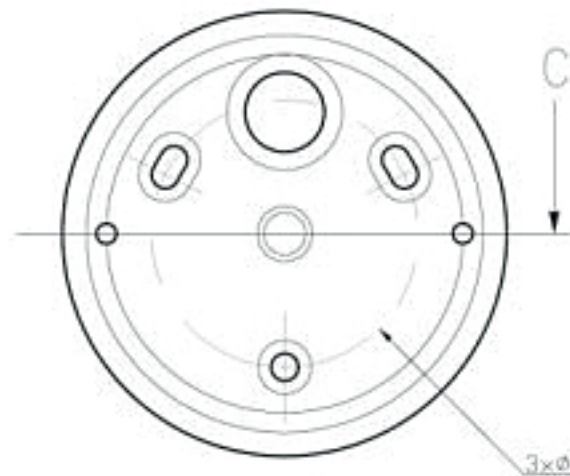


Top Profile



Side Profile



Mounting Layout

**Dimensions**

a = 85mm / 3.35"

b = 95mm / 3.74"