

**DuraLed<sup>®</sup> 12 White LED Universal High Efficacy Lamp**  
**Dualvolt 12 / 24V DC**

**Introduction**

Hella LED lamps offer many advantages over conventional bulb lamps including significantly reduced power consumption, and a high tolerance to shock and vibration for an ultra long service life.

**Installation**

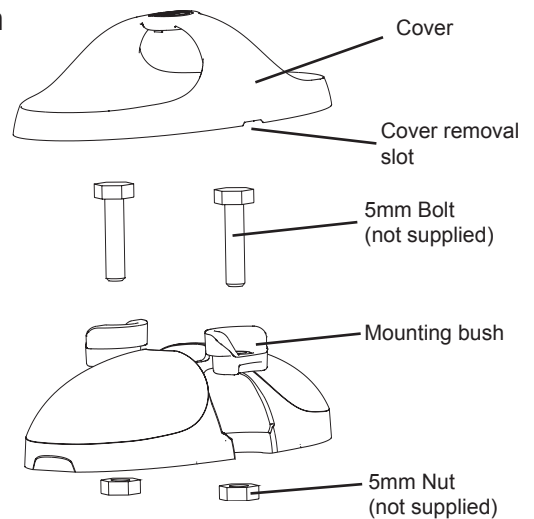
Lamp should be mounted on a flat surface. Drill two 6mm diameter holes at 47mm centres.

5mm diameter screws or bolts are recommended to mount the lamp using the mounting bushes provided.

If passing the cable through a hole, ensure there are no sharp edges to cut or chafe the cable. Drill a cable exit hole 6mm diameter in the position as shown on diagram.

Connect lamp wiring as per table below.

Try to keep the cable as long as possible, preferably join the cable inside a sealed cable junction box.



**Wiring Colour Coding**

This lamp is Dualvolt capable, allowing full light output on both 12 and 24 volt electrical systems. LED modules are polarity conscious. Reverse polarity will not damage this product but will inhibit its function.

Hella recommends wire connections be soldered, and heat shrink tubing applied to seal the joint.

| Colour | Connect to   | Power Consumption |
|--------|--------------|-------------------|
| Red    | Signal (+)   | 3W                |
| Black  | Negative (-) | -                 |

**NB:** Lamp must be protected by a fuse rated at 5 amperes maximum.

## Introduction

This Dualvolt LED lamp offers many advantages over conventional bulb lamps. Significantly reduced power consumption, ultra long life and high tolerance to shock and vibration make this LED lamp the ideal choice for industrial and commercial applications.

## Electromagnetic Compatibility (EMC)

This LED lamp is an electronic device. The electrical circuits contain components that suppress possible interference, both emission as well as susceptibility, to the limits prescribed in the European Union Directive 2004/104/EC.

To avoid false signals or interference, it is standard practice that sensitive instrumentation such as ABS and Tachometers etc. are provided with direct earths.

## Protection against damage due to voltage spikes

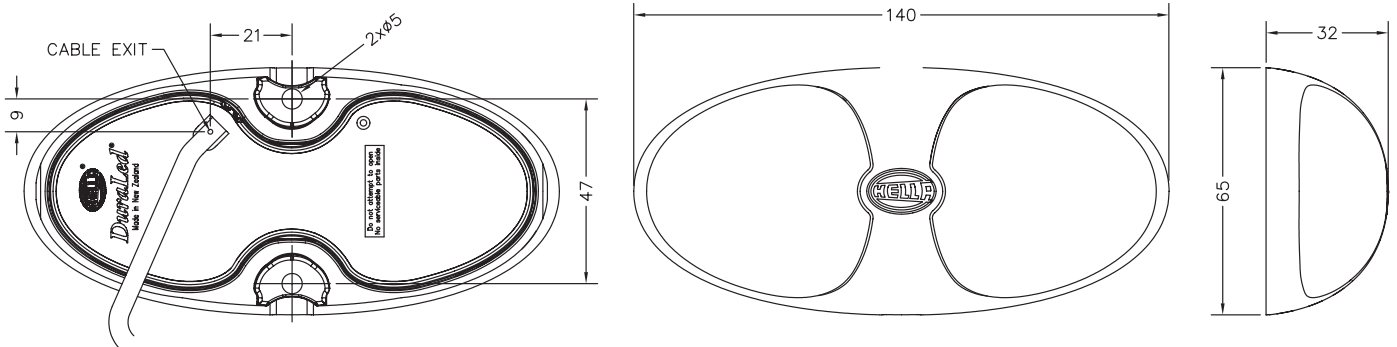
This Dualvolt LED lamp is protected against damage from positive voltage spikes caused by events such as load dump conditions up to severity level 3 of ISO 7637-2 and contains a Transient Voltage Suppressor (TVS) designed to withstand a pulse of up to 5000 watts.

The lamp is protected against reverse polarity connection and negative voltage spikes of up to 1000 volts.

## Electric Welding

Electric Welding may damage the LED lamps. For LED lamps, Hella recommends the negative connection to be wired isolated from the vehicle chassis. If the lamp uses the chassis as the earth return it is recommended that this earth return is disconnected during electric welding.

## General Dimensions (mm)



## Warranty Statement

Congratulations! The product you have selected comes from Hella - one of the world's leading manufacturers of automotive and marine products.

Hella branded products are covered by a warranty against manufacturing or material defects. (For further details check Hella's terms of trade with your dealer).

The lamp module is sealed and does not have any serviceable parts inside; opening the module will invalidate warranty.

In the unlikely event that you should experience a problem with your purchase, please contact your Hella dealer where you purchased the product.

