



**Hella marine**  
Vision and Innovation

# Product News

Latest addition to the Hella marine range

**New!**

## NaviLED PRO Horizontal Deck Mount Adaptor



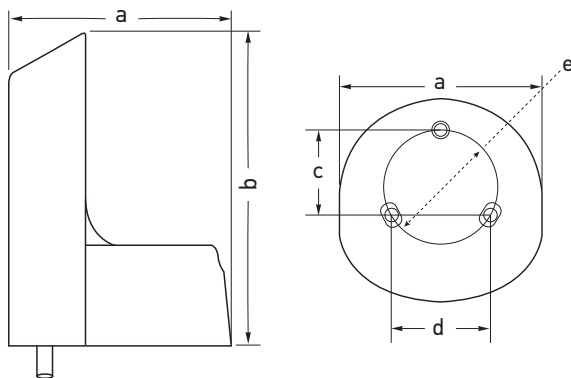
The NaviLED PRO series of navigation lamps has been the preferred choice of commercial and large recreational vessels for over a decade. With the new Horizontal Deck Mount Adaptor accessory it increases the installation flexibility of the NaviLED PRO range. Now the lamps can be mounted on horizontal surfaces, expanding the mounting options and catering to customers with larger vessels.

In addition to the increased mounting configurations, large vessels often prefer a larger fitting to match proportionately with the size of the boat. This new adaptor increases the physical appearance of the lamp by 50%.

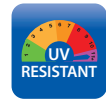
The Horizontal Deck Mount Adaptor is ideal when retrofitting old incandescent lamps that were often deck mounted designs, and caters for both rear and bottom exit cabling.

The option of either black or white matches the NaviLED Pro offerings to compliment the installed appearance.

- Mount NaviLED PRO lamps on horizontal surfaces
- Fits existing product range including Port, Starboard, Stern, Masthead, Bi-colour
- Increases physical dimensions for larger vessels
- Innovative design hides fastenings
- Space for cable gland beneath adaptor
- UV and impact resistant material



**Dimensions**  
a = 90mm / 3.54"  
b = 128mm / 5"  
c = 38mm / 1.5"  
d = 44mm / 1.73"  
e = 50.8mm / 2"



The Horizontal Adaptor Bracket is available in either Black or White and manufactured using a heavy duty acrylic that is UV, salt water and impact resistant.



Innovative design means hidden fastenings for tidy installation. There is also room to fit a cable gland beneath the adaptor.

### NaviLED PRO Deck Mount Adaptor

| Housing | Part Number     | MOQ      |
|---------|-----------------|----------|
| Black   | 8HG 241 287-802 | 2 pieces |
| White   | 8HG 241 287-812 | 2 pieces |