

NEMA NO.	RATING	POLE/WIRE	CAT.NO	CORROSION RESISTANT ^[B]	UL	CSA	FED SPEC	CONFIGURATION	VOLTAGE COLOR CODE
L5-20R	125V	2P/3W GROUNDING	HBL2313 HBL2313BK ^[C] HBL2313EBK ^[D]	HBL23CM13	YES	YES	YES		YELLOW
L6-20R	250V	2P/3W GROUNDING	HBL2323 HBL2323BK ^[C] HBL2323EBK ^[D]	HBL23CM23	YES	YES	YES		BLUE
L7-20R	277VAC	2P/3W GROUNDING	HBL2333	----	YES	YES	YES		GRAY
L8-20R	480VAC	2P/3W GROUNDING	HBL2343	----	YES	YES	YES		RED
L9-20R	600VAC	2P/3W GROUNDING	HBL2353	----	YES	YES	YES		BLACK
L24-20R	347VAC	2P/3W GROUNDING	HBL3723	----	YES	YES	YES		BLACK

LIST OF PARTS		
DESCRIPTION	MATERIAL	FINISH
COVER	NYLON	BLACK
CORD CLAMP	NYLON	NATURAL
CONTACT BODY	NYLON	NATURAL
RETAINER	POLY CARBONATE	CLEAR
CONTACTS	.031 BRASS	
WIRE CLAMP	.080 CRS	NICKEL PLATE
#10 TERMINAL SCREWS	BRASS	^[A]
#10 GROUND SCREW	BRASS	GREEN
ASSEMBLY FASTENERS	STEEL	ZINC PLATE
INSERTS	NYLON	BLACK
DUST SHIELD	TPE	BLACK

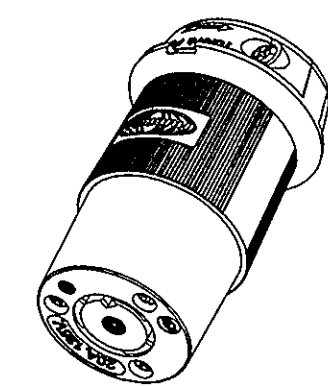
DIMENSION SHEET FOR CAT. NO. SEE TABLE

REPAIRABLE NON-REPAIRABLE

B

M-7901

10



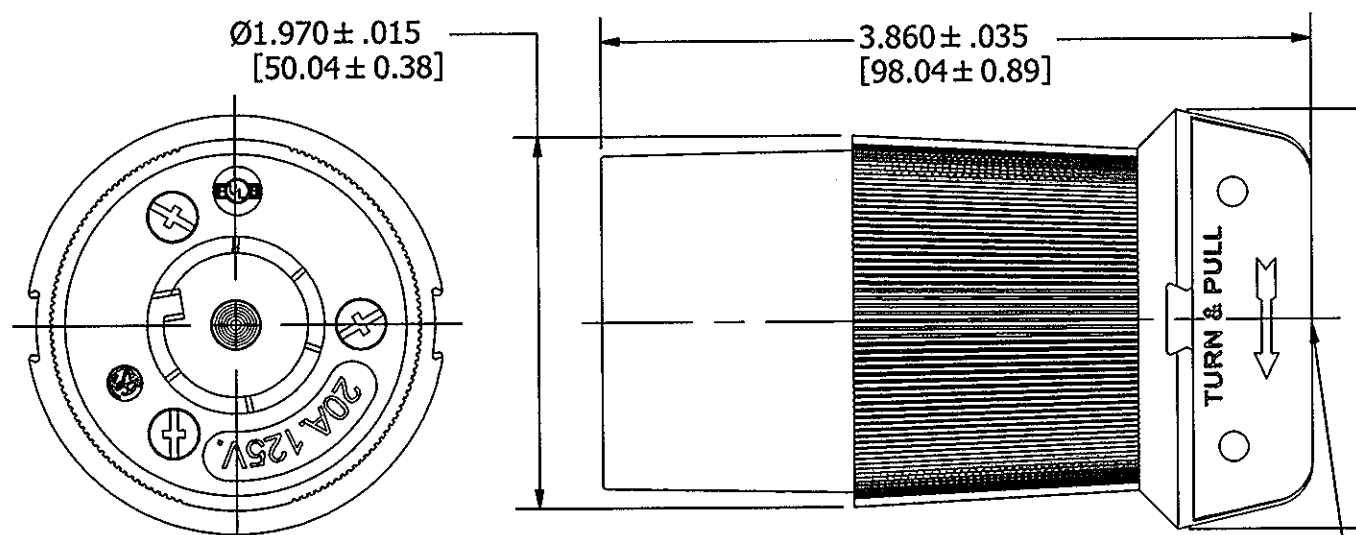
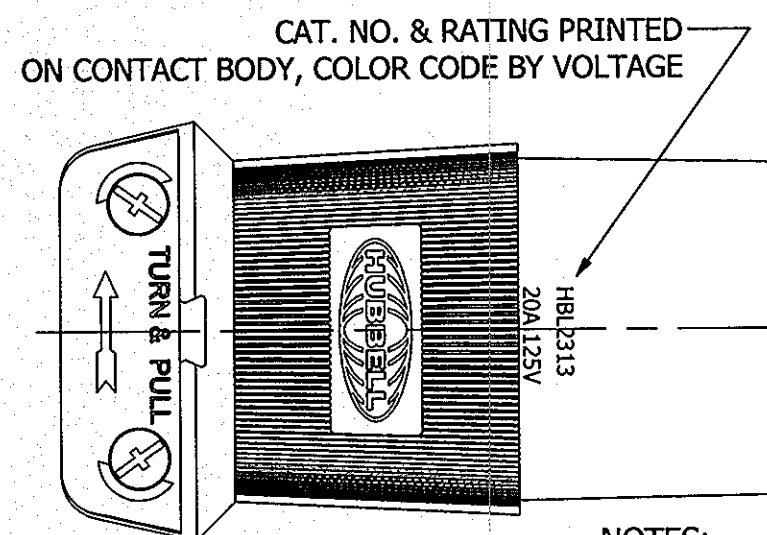
CATALOG NO. HBL2313
NOT SHOWN TO SCALE

10	REDRAWN WITH EMBEDDED CAD MODEL WITH NO CHANGES TO PART GEOMETRY PER DCN 21895	DJP	2/5/16
REV	DESCRIPTION	APP	DATE

THE DESIGN AND DIMENSIONS OF THE PRODUCT SHOWN ON THIS DRAWING ARE SUBJECT TO CHANGE WITHOUT NOTICE

TITLE
20A 3-WIRE TWIST-LOCK CONNECTOR

TOLERANCES UNLESS OTHERWISE SPECIFIED		WIRING DEVICE-KELLEMS HUBBELL INCORPORATED SHELTON, CT	
.XX = ± .01	.XXX = ± .005	DR. BY B.C.	APP. BY ZIMM
ANGLES = ± 2'		TR. BY	SCALE 1:1
		CHK. BY ZIMM	DATE 02/12/98



NOTES:

- DIMENSIONS ARE IN INCHES [mm]
- ALL SCREWS ARE COMBINATION PHILLPS/SLOTTED/ROBERTSON HEAD.
- COMPONENT FINISHES:
 - ^[A] WHITE FINISH ON NEUTRAL CONTACT WHEN USED.
 - ^[B] CM DEVICES SAME AS ABOVE EXEPT: COVER & CORD CLAMP YELLOW; TERMINAL SCREWS & CONTACT - NICKEL PLATED WIRE CLAMPS - BRASS, NICKEL PLATE; ASSEM FASTENERS - STAINLESS STEEL
 - ^[C] BK DEVICES ARE SAME AS ABOVE EXCEPT ALL BLACK.
 - ^[D] E DEVICES PROVIDED WITH CORD CLAMP INSERTS