

Twist-Lock® Devices  
 20A, 125V AC; 2 Pole, 3 Wire Grounding  
 Corrosion Resistant Insulgrip® Connector

# HUBBELL

## Features

- Ribbed nylon housing provides a secure grip and impact and chemical resistance.
- Superior cord grip design protects terminations from excess strain.
- Integral dust shield protects wiring chamber from dust or contaminants.

## Ordering Information

Description	Cord Diameter	UPC	Catalog Number
Corrosion resistant, yellow nylon.	.360"-.930"(9-24)	783585038100	HBL23CM13

## Listings

Listed to UL 498  
 Fed.Spec. W-C-596  
 Certified to CSA C22.2 No.42

## Specifications

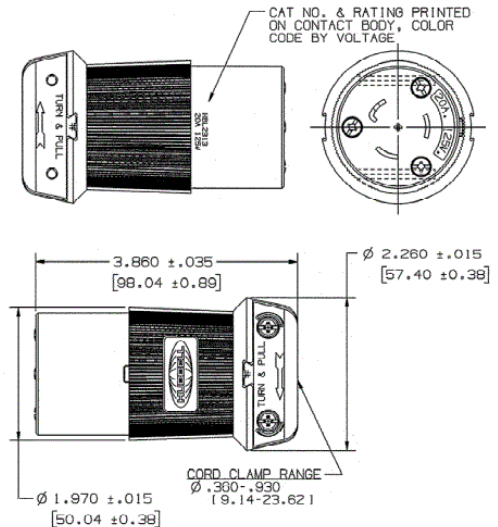
Housing / Cord Clamp	Nylon
Terminal Retainer	Clear polycarbonate
Contacts	Nickel Plated Brass
Terminal Screws	#10-32 Bronze (Phillips / Slotted / Robertson)
Terminal Clamp	Cold rolled steel – nickel plated
Assembly Screws	Steel - nickel plated

## Performance

Electrical	
Current Interrupting	Certified for current interrupting at full rated current
Dielectric Voltage	Withstands 2,000V minimum

Mechanical	
Terminal Accommodation	#16 AWG - #8 AWG stranded copper wire only.
Terminal Identification	Terminals identified in accordance with UL 498

Environmental	
Flammability	HB or better per UL94 or CSA 22.2 No. 0.6
Moisture Resistance	IP20 Suitability
Operating Temperatures	Maximum Continuous 75°C Minimum -40°C (w/o impact)



## Accessories

Plug	HBL23CM11
Weatherproof Boot	HBL60CM32

## Resources

Customer Use Drawing  
 eCatalog

## 20 Amp Twist-Lock® Devices and Accessories

Plugs, receptacles and connectors only.



20A 125V  
NEMA L5-20R  
UL/CSA



HBL23CM10

### 20A 125V Twist-Lock® Devices

Description	Catalog Number
Yellow single receptacle has Rynite® body and abuse resistant nylon face. <b>IP20 SUITABILITY.</b>	<b>HBL23CM10</b>
Yellow Insulgrip® plug has rugged nylon housing and cord grip with range of .36-.93 in. (9-24) that utilizes a unique offset jaws arrangement to provide secure strain relief. <b>IP20 SUITABILITY.</b>	<b>HBL23CM11</b>
Yellow Insulgrip connector body has rugged nylon housing and cord with range of .36-.93 in. (9-24) that utilizes a unique offset jaws arrangement to provide secure strain relief. <b>IP20 SUITABILITY.</b>	<b>HBL23CM13</b>
Yellow Valise plug has one-piece nylon housing, assembles easily with two screws. Built-in cord grip has range of .33-.72 in. (8.3-18.2). <b>IP20 SUITABILITY.</b>	<b>HBL23CM11V</b>



HBL23CM11



HBL23CM13

### Accessories

Description	Catalog Number
Yellow polycarbonate spring-loaded lift cover for weather-proofing HBL23CM10 receptacle. Meets the most stringent requirements of UL's three listing categories for weatherproof plates. Stainless steel screws and neoprene gasket included for mounting to FS/FD type weatherproof boxes. <b>IP44 SUITABILITY.</b>	<b>HBL74CM25WOA</b>
Same as HBL74CM25WOA except gray in color.	<b>HBL7425WOA</b>
Same as HBL74CM25WOA except white in color.	<b>HBL74CM25WOAW</b>
Yellow Seal-Tite® cover for weatherproofing HBL26CM11 or HBL23CM11 plugs. <b>IP44 SUITABILITY.</b> Note: Fits Insulgrip devices only.	<b>HBL60CM31**</b>
Same as HBL60CM31 except white in color.	<b>HBL60CM31W**</b>
Yellow Seal-Tite cover for weatherproofing HBL26CM13 or HBL23CM13 connector bodies when used on extension cords or adapters. <b>IP44 SUITABILITY.</b> Note: Fits Insulgrip devices only.	<b>HBL60CM32**</b>
Yellow vinyl Seal-Tite cover for weatherproofing HBL23CM13V or HBL26CM13V connector bodies. <b>IP44 SUITABILITY.</b> Note: Fits Valise® devices only.	<b>HBL60CM32V**</b>
Yellow Seal-Tite cover for weatherproofing HBL23CM11V or HBL26CM11V plugs. <b>IP44 SUITABILITY.</b> Note: Fits Valise devices only.	<b>HBL60CM31V**</b>
Three conductor, #12 AWG type STW, yellow PVC jacketed portable cord with jute fillers for added flexibility. Ideal for making cable sets, extension cords and adapters as will not mark boat's deck. Available in 250 ft. (76.2m) length only.	<b>YC312250</b>

Note: \*\*Not UL Listed or CSA Certified.



HBL23CM11V



HBL60CM31



HBL60CM31V



HBL60CM32



HBL60CM32V



HBL74CM25WOA



YC312250

Rynite® is a registered trademark of E. I. DuPont.