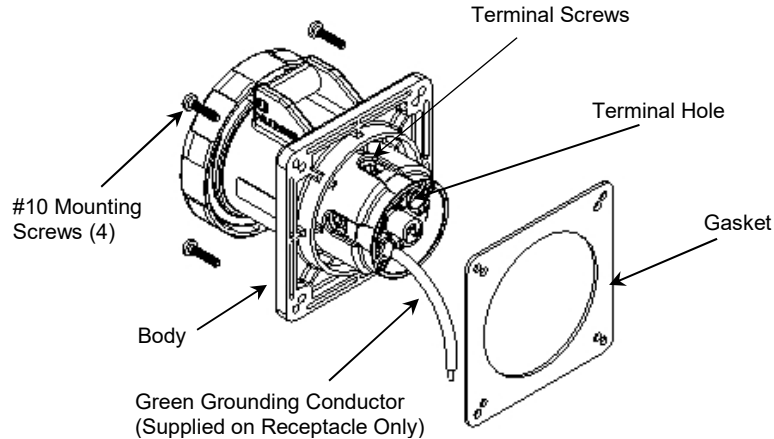


MARINE PIN & SLEEVE

Installation Instructions

Wiring Instructions - 100A Receptacles



WARNING: BE SURE POWER IS OFF BEFORE STARTING.

NOTICE: For installation only by a qualified electrician in accordance with the National Electrical Code[®], Canadian Electrical Code, local codes, and the following instructions.

CAUTION: RISK OF ELECTRIC SHOCK. Disconnect power before installing. Never wire energized electrical components.

ATTENTION: RISQUE DE CHOC ÉLECTRIQUE. Débrancher le circuit avant l'installation. Ne jamais faire les connexions sur circuit vivant.

CAUTION: USE COPPER CONDUCTORS ONLY.

ATTENTION: EMPLOYER UNIQUEMENT AVEC FIL DE CUIVER.


NOTE: Due to the harshness of a marine environment, it is very important that **ALL** contact surfaces be kept clean and periodically sprayed with a corrosion resistant electrical contact cleaner/lubricant (such as LPS-1 made by Holt Lloyd Corp., Tucker, Georgia).

1. Check to see that the rating, molded on side of the device, is correct for the installation.
2. Select conductors of a size having suitable ampacity in accordance with the 60°C column of Table 310-16 of the National Electrical Code[®], NFPA 70, and Table 2 of the Canadian Electrical Code, Part I. Use copper conductors only, having a minimum insulation temperature of 75°C. Terminals accept conductor sizes #2 through #1/0 AWG.
3. Strip each conductor per Table I. Insert the conductor into marked terminal hole according to Table II.

NOTE: DO NOT TIN CONDUCTOR. Crossing one ungrounded conductor (Line) over the grounded conductor (Neutral) may be necessary with five-wire devices.

4. Torque terminal screws per Table I.

Strip Conductor	Inch Millimeter	1-1/2 38
Torque Terminal Screws	Lb.- In. N•M	75 8.5

Termination Identification	Use For
G, Green, 	Equipment Grounding Conductor
W, White, N	Grounded Circuit Conductors (Neutral)
L1, L2, L3, or Blank or R1 S2, T3, or Blank or X, Y, Z or Blank	Ungrounded Circuit Conductors (Line, Hot)

