


OVERVIEW

Following are instructions for the in-dash mount installation of the APEX control head. We encourage you to read this guide before starting the installation, so you may understand the installation requirements.

Technical Support: If you find that any items are missing from your installation kit, visit our Web site at humminbird.com or call Humminbird® Technical Support at **1-800-633-1468**.

Supplies: In addition to the hardware supplied with your accessory, you will need a drill and various drill bits, a cutting tool for the dashboard material, various hand tools [including a 3/16" [4.78 mm] adjustable wrench and a #2 Phillips screwdriver for the front mount option or a 7/16" [11 mm] adjustable wrench for the rear mount option], safety glasses and dust mask, masking tape, and a towel or cloth.


 **WARNING!** Do NOT use power tools to secure the hardware. We encourage you to read the installation instructions so you may understand the installation requirements.

 **NOTE:** Product supplies and features are subject to change without notice.

1 | Plan the Mounting Location

Start by locating a suitable, flat area of the dashboard for mounting. Consider the following to find the best mounting location:

- **Interference:** The mounting location must provide adequate distance from electric motors or any equipment that may cause electronic interference.
- **Stability:** The mounting area should be protected from waves, shock, vibration, and water.
- **Depth:** The mounting area should have a depth of 4" [102 mm] for the front-mount installation and 5.5" [139.7 mm] for the rear-mount installation to allow space for the control head and cables.
- **Ventilation:** The area beneath the mounting surface should be well-ventilated.
- **Accessibility:** The location should be easily accessible for all cables to reach the ports on the back of the control head.
- **Multiple Control Heads:** If you plan to install more than one control head side by side, leave a minimum space of 1 7/16" [36.2 mm] between mounting holes. This will allow for 1/4" [7 mm] between control heads with the covers installed and space for the bracket under the dashboard. Take your measurement from the front, left or right side of the control head cut line. **See the template for more information.**

 **NOTE:** If a cable is too short for your application, extension cables are available. For assistance, contact Humminbird Technical Support.

2 | Cut the In-Dash Mounting Hole

To in-dash mount the APEX control head, start by placing the components on the surfaces where you intend to install them.

1. Review the instructions, measurements, and cutting options indicated on the In-dash Mounting Template.
2. Tape the template to the chosen in-dash mounting location.
3. Using the template, select the cutting method that is best for your boat:
 - Drill one entry hole away from the main cut line that is large enough to insert the blade of your cutting tool.

OR

 - Using a 7/16" drill bit, drill the 4 corner holes [inside the main cut line] as shown on the template. Use one of the corner holes as an entry hole, or drill an additional entry hole away from the main cut line.

APEX™ SERIES IN-DASH MOUNTING Installation Guide

532752-1_A

4. Carefully begin cutting toward the cut line, and continue cutting to the **inside of the line** around the template.
5. **Test the Mounting Hole:** Install the control head in the mounting hole to test the fit. Make adjustments to the mounting hole as needed. Remove the template when finished.
6. Thoroughly clean and deburr the mounting hole.

3 | Install the Control Head

Follow the instructions in this section based on whether you are going to complete a front mount or rear mount installation.

Front Mount Installation

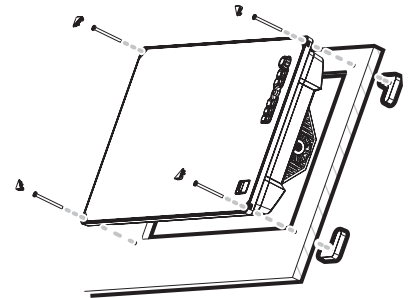
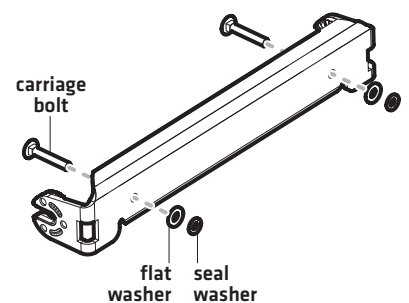
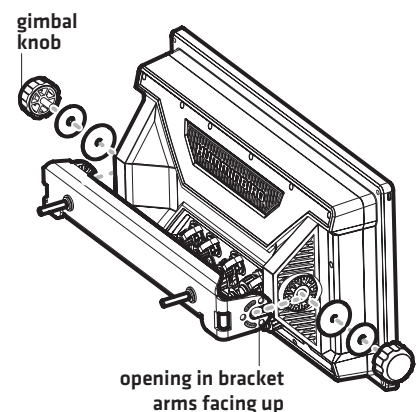
1. Insert a small tool [tip: a paper clip works well] behind each corner piece to pop out the corner cover [see the illustration *Front Mount In-Dash Installation*]. Set the corner covers aside.
2. From the front of the dashboard, with the control head screen facing out, carefully lower the control head into the mounting hole.
3. Press down lightly on the control head. Confirm the control head is seated flush against the dashboard. Make adjustments, as needed.
4. With the control head in place, use a transfer punch or pencil to mark the four corner screw holes to the dash.
5. Remove the control head from the dash and set it aside.
6. Use a 3/16" [4.78 mm] drill bit to drill the four corner-mount screw holes.
7. Insert a bolt into the drilled corner hole. Remove the tape backing from the L-bracket nut. From under the dashboard, begin to fasten the bolt to the L-bracket nut. Make sure the L-bracket nut is aligned with the dash cut-out, and lift the bolt to bring the L-bracket nut to the underside of the dash. Apply pressure to the L-bracket nut for 30 seconds to activate the adhesive tape, and then remove the bolt.
8. Repeat for the other 3 L-bracket nuts.
9. From the front of the dashboard, with the control head screen facing out, carefully lower the control head back into the mounting hole.
10. Apply a small amount of anti-seize to each bolt. Fasten a bolt into each corner hole on the control head until it contacts the bottom of the nut. **Hand-tighten only!**
11. Use a #2 Phillips screwdriver to tighten each bolt an additional 3/4 turn. **Hand-tighten only!**
12. Replace the four corner covers.

⚠ WARNING! Do NOT use power tools to secure the hardware.

Rear Mount Installation

To install the in-dash mount bracket, you will need the gimbal knobs included with your control head.

1. Place the control head on a towel or cloth, with the screen facing down, on a stable and level surface.
2. See the illustration *Installing the Bolts*. Install the carriage bolts [1/4" - 20] onto the bracket with the flat washer [1/4" x 3/4"] and seal washer [1/4" x 1/2"] in the order shown in the illustration. Hand tighten the washers fully until they are flat and secure on the bracket.
3. Line up the bracket arms with the ratchets on the side of the control head. The opening in the bracket arms should face up [away from the control head ports]. Adjust the bracket so it is parallel with the control head screen. See the illustration *Installing the Bracket*.
4. Install the gimbal knobs into each side of the control head. **Hand-tighten only!** See the illustration *Installing the Bracket*.

Front Mount In-Dash Installation

Installing the Bolts

Installing the Bracket


APEX™ SERIES IN-DASH MOUNTING Installation Guide

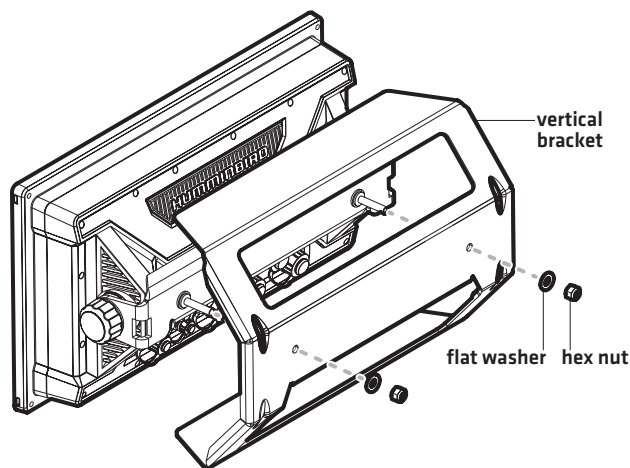
532752-1_A

- From the front of the dashboard, with the control head screen facing out, carefully lower the control head into the mounting hole.

NOTE: If the control head will not fit through the mounting hole, remove one of the gimbal knobs and angle the control head into the mounting hole. Replace the gimbal knob before proceeding to step 6.

- Press down lightly on the control head. Confirm the control head is centered and flush against the dashboard. Make adjustments, as needed.
- From under the dashboard, insert the vertical bracket holes over the bolts. Ensure the top and bottom of the vertical bracket is evenly aligned and flush against the dash. See the illustration *Installing the Vertical Bracket*.
- Install a flat washer [1/4" x 3/4"] and hex nut [1/4" - 20] onto each carriage bolt. See the illustration *Installing the Vertical Bracket*. Use a 7/16" adjustable wrench to hand-tighten the nuts until the assembly is secured. Then tighten no more than 2 additional turns. **Hand-tighten only!**

Do NOT over-tighten the hex nuts. The bracket should remain straight without bending.

Installing the Vertical Bracket

4 | Connect the Cables

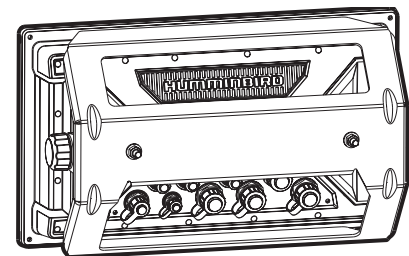
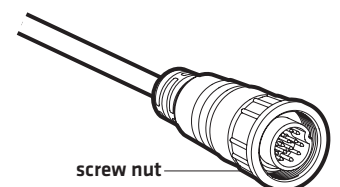
In this step, you will route the cables to the control head connector panel.

CAUTION! Do NOT mount the cables where the connectors could be submerged in water or flooded. If cables are installed in a splash-prone area, it may be helpful to apply dielectric grease to the inside of the connectors to prevent corrosion. Dielectric grease can be purchased separately from a general hardware or automotive store.

- Route the cables to the control head through the bottom opening in the vertical bracket. See the illustration *Routing Cables to the Control Head*.
- Connect each cable to the appropriate ports on the control head. The ports are labeled, and the connectors are keyed to prevent incorrect installation.
- Hand-tighten the screw nut on each cable to secure the connection. See the illustration *Hand-Tightening the Screw Nut*.

Cover any unused ports with the tethered caps to prevent potential damage.

- Your control head is ready for operation. See the Quick Start Guide to get started and download the APEX/SOLIX Operations Manual from our Web site at humminbird.com.

Routing Cables to the Control Head

Hand-Tightening the Screw Nut


1-Year Limited Warranty

We warrant the original retail purchaser that products made by Humminbird have been manufactured free from defects in materials and workmanship. This warranty is effective for one year from the date of original retail purchase. Humminbird products found to be defective and covered by this warranty will be repaired or replaced free of charge at Humminbird's option and returned to the customer freight prepaid. Humminbird's sole responsibility under this warranty is limited to the repair or replacement of a product that has been deemed defective by Humminbird. Humminbird is not responsible for charges connected with the removal of such product or reinstallation of replaced or repaired parts; or shipping charges to the factory or authorized service center [if outside the U.S.].

This warranty does not apply to a product that has been:

- Improperly installed;
- Used in an installation other than that recommended in the product installation and operation instructions, including commercial applications;
- Damaged or has failed because of an accident or abnormal operation;
- Repaired or modified by entities other than Humminbird.

Please retain your original receipt as a proof of the purchase date. This will be required for in-warranty service.

THIS WARRANTY IS EXPRESSLY IN LIEU OF ANY OTHER WARRANTIES, OBLIGATIONS OR LIABILITIES ON THE PART OF HUMMINBIRD AND WILL BE THE CUSTOMER'S EXCLUSIVE REMEDY, EXCEPT FOR ANY APPLICABLE IMPLIED WARRANTIES UNDER STATE LAW WHICH ARE HEREBY LIMITED IN DURATION TO ONE YEAR FROM THE DATE OF ORIGINAL PURCHASE. IN NO EVENT WILL HUMMINBIRD BE LIABLE FOR ANY INCIDENTAL OR CONSEQUENTIAL DAMAGES FOR BREACH OF ANY EXPRESS OR IMPLIED WARRANTY RELATING TO THE PRODUCTS.

Some states do not allow limitations on an implied warranty, or the exclusion of incidental or consequential damages, so the above exclusions may not apply to you. You may also have other rights, which vary from state to state.

Humminbird Service Policy

Even though you'll probably never need to take advantage of our incredible service policy, it's good to know that we back our products this confidently. We do it because you deserve the best. We will make every effort to repair your unit within three business days from the receipt of your unit at our factory. This does not include shipping time to and from our factory. Units received on Friday are typically shipped by the following Wednesday, units received Monday are typically shipped by Thursday, etc.

All repair work is performed by factory-trained technicians to meet exacting factory specifications. Factory-serviced units go through the same rigorous testing and quality control inspections as new production units.

After the original warranty period, a standard flat rate service charge will be assessed for each repair [physical damage and missing parts are not included]. Any repairs made after the original warranty will be warranted for an additional 90 days after service has been performed by our factory technicians. You can contact Technical Support or visit our Web site to verify the flat rate repair fee for your product [visit the Product Support section]:

<http://www.humminbird.com>

We reserve the right to deem any product unserviceable when replacement parts are no longer available or impossible to obtain. This Service Policy is valid in the United States only. This applies only to Humminbird products returned to our factory in Eufaula, Alabama. This Service Policy is subject to change without notice.


**DOMESTIC (USA) CUSTOMERS:
PLEASE DO NOT RETURN THIS PRODUCT TO STORE FOR SERVICE**

For all technical issues please call **1-800-633-1468**
or visit **humminbird.com**, click **SUPPORT**.

Please reference product serial number and model number when contacting Humminbird.

Returning Your Unit for Service

Before sending your unit in for repair, please contact the factory, either by phone or by email, to obtain a Repair Authorization Number for your unit.

 **NOTE:** Please do not return your Humminbird to the store for service.

Please have your product model name and serial number available before calling the factory. If you contact the factory by e-mail, please include your product model name and serial number in the e-mail, and use Request for Repair Authorization Number for your e-mail subject header. You should include your Repair Authorization Number in all subsequent communications about your unit.

For **IN-WARRANTY** service, complete the following steps:

- Obtain a Repair Authorization Number from Humminbird Technical Support.
- Tag product with your name, street address, phone number and your assigned Repair Authorization Number.
- Include a brief written description of the problem.
- Include a copy of your receipt (to show proof and date of purchase).
- Return product freight prepaid to Humminbird, using an insured carrier with delivery confirmation.

For **OUT-OF-WARRANTY** service, complete the following steps:

- Obtain a Repair Authorization Number from Humminbird Technical Support.
- Include payment in the form of credit card number and expiration date, or a money order. Please do not send cash.
- Tag product with your name, street address, phone number and your assigned Repair Authorization Number.
- Include a brief written description of the problem.
- Return product freight prepaid to Humminbird, using an insured carrier with delivery confirmation.


Contact Humminbird


Web site: humminbird.com

E-mail: service@humminbird.com

Telephone: 1-800-633-1468

Direct Shipping: Humminbird
Service Department
678 Humminbird Lane
Eufaula, AL 36027 USA

 **WARNING!** Disassembly and repair of this electronic unit should only be performed by authorized service personnel. Any modification of the serial number or attempt to repair the original equipment or accessories by unauthorized individuals will void the warranty.

 **NOTE:** Product specifications and features are subject to change without notice.

ENVIRONMENTAL COMPLIANCE STATEMENT: It is the intention of Johnson Outdoors Marine Electronics, Inc. to be a responsible corporate citizen, operating in compliance with known and applicable environmental regulations, and a good neighbor in the communities where we make or sell our products.

WEEE DIRECTIVE: EU Directive 2002/96/EC "Waste of Electrical and Electronic Equipment Directive [WEEE]" impacts most distributors, sellers, and manufacturers of consumer electronics in the European Union. The WEEE Directive requires the producer of consumer electronics to take responsibility for the management of waste from their products to achieve environmentally responsible disposal during the product life cycle.

WEEE compliance may not be required in your location for electrical & electronic equipment (EEE), nor may it be required for EEE designed and intended as fixed or temporary installation in transportation vehicles such as automobiles, aircraft, and boats. In some European Union member states, these vehicles are considered outside of the scope of the Directive, and EEE for those applications can be considered excluded from the WEEE Directive requirement.



This symbol [WEEE wheelee bin] on product indicates the product must not be disposed of with other household refuse. It must be disposed of and collected for recycling and recovery of waste EEE.


Johnson Outdoors Marine Electronics, Inc. will mark all EEE products in accordance with the WEEE Directive. It is our goal to comply in the collection, treatment, recovery, and environmentally sound disposal of those products; however, these requirements do vary within European Union member states. For more information about where you should dispose of your waste equipment for recycling and recovery and/or your European Union member state requirements, please contact your dealer or distributor from which your product was purchased.

PRÉSENTATION DE L'INSTALLATION

Voici les instructions relatives à l'installation du montage de tableau de bord de la tête de commande APEX. Nous vous invitons à lire la notice avant de commencer l'installation afin de prendre connaissance des exigences.

Assistance technique : Si vous découvrez que des articles sont manquants dans votre trousse d'installation, rendez-vous sur notre site Web, humminbird.com, ou appelez le service d'assistance technique Humminbird® au **1-800-633-1468**.

Matériel : En plus de la quincaillerie fournie avec votre accessoire, vous aurez besoin d'une perceuse et de forets de différents diamètres, d'un outil de coupe pour le matériau du tableau de bord, de différents outils à main [y compris une clé à molette 3/16" [4,78 mm] et un tournevis cruciforme n° 2 pour l'option de montage avant ou une clé à molette de 7/16" [11 mm] pour l'option de montage arrière], de lunettes de sécurité, d'un masque antipoussière, de ruban-cache et d'une serviette ou d'un chiffon.


 **AVERTISSEMENT !** N'utilisez PAS des outils électriques pour fixer la quincaillerie. Nous vous encourageons à lire les directives pour mieux comprendre les exigences d'installation.

 **REMARQUE :** Le matériel et les fonctions du produit peuvent changer sans préavis.

1 | Préparation de l'emplacement de montage

Commencez par localiser un endroit plat sur le tableau de bord qui soit propice au montage. Tenez compte des facteurs suivants pour trouver le meilleur emplacement :

- **Interférences :** L'emplacement de montage doit se trouver à distance appropriée de tout équipement ou moteur électrique pouvant provoquer des interférences électroniques.
- **Stabilité :** La zone de montage doit être protégée des vagues, des chocs, des vibrations et de l'eau.
- **Profondeur :** La zone de montage doit avoir une profondeur de 102 mm [4 po] pour l'installation avant et de 139,7 mm [5,5 po] pour l'installation arrière afin de laisser de l'espace pour la tête de commande et les câbles.
- **Ventilation :** La zone située sous la surface de montage doit être bien ventilée.
- **Accessibilité :** L'emplacement doit être aisément accessible pour que tous les câbles puissent atteindre les ports situés au dos de la tête de commande.
- **Plusieurs têtes de commande :** Si vous prévoyez d'installer plus d'une tête de commande l'une à côté de l'autre, laissez un espace minimum de 36,2 mm [1 7/16 po] entre les trous de montage. Cela laissera un espace de 7 mm [1/4 po] entre les têtes de commande avec les couvercles installés, et un espace pour le support sous le tableau de bord. Prenez vos mesures depuis le côté avant, gauche ou droit de la ligne de coupe de la tête de commande. **Voir le gabarit pour de plus amples renseignements.**

 **REMARQUE :** Si les câbles sont trop courts pour votre application, des rallonges sont disponibles. Pour obtenir de l'aide, communiquez avec le service d'assistance technique de Humminbird.

2 | Percer le trou de montage du tableau de bord

Pour monter la tête de commande sur le tableau de bord, commencez par placer les composants sur les surfaces où vous envisagez de les installer.

1. Consultez les instructions, les mesures et les options de découpage indiquées sur le Gabarit de montage du tableau de bord.
2. Collez le gabarit sur l'emplacement de montage du tableau de bord choisi à l'aide d'un ruban adhésif.
3. En utilisant le gabarit, sélectionnez la méthode de découpage la mieux appropriée à votre bateau :
 - Percez un trou d'entrée à l'écart de la ligne de coupe principale, de telle sorte qu'il soit suffisamment grand pour que vous puissiez insérer la lame de votre outil de coupe.

OU

- En utilisant un foret de 11.11 mm [7/16 po], percez les 4 trous d'angles (à l'intérieur de la ligne de coupe principale), comme illustré sur le gabarit. Utilisez l'un des trous d'angle comme un trou d'entrée, ou percez un trou d'entrée supplémentaire à l'écart de la ligne de coupe principale.

DU MONTAGE DE TABLEAU DE BORD DE LA SÉRIE APEX™

532752-1_A

4. Commencez par découper soigneusement en direction de la **ligne de coupe**, puis suivez l'intérieur de cette ligne tout autour du gabarit.
5. **Vérifier le trou de montage** : Installez la tête de commande dans le trou de montage pour vérifier qu'elle s'insère correctement. Ajustez le trou de montage selon le besoin. Écartez le gabarit une fois la découpe terminée.
6. Nettoyez et ébavurez soigneusement le trou de montage.

3 | Installer la tête de commande

Suivez les instructions de cette section pour savoir si vous allez effectuer une installation avant ou arrière.

Installation du montage avant

1. Insérez un petit outil [conseil : une pince à papier fonctionne bien] derrière chaque pièce d'angle pour sortir le couvercle d'angle [voir l'illustration *Installation du tableau de bord à l'avant*]. Mettez les couvercles d'angle de côté.
2. Depuis l'avant de la tête de commande, avec l'écran de tête de commande tourné vers l'extérieur, abaissez soigneusement la tête de commande dans le trou de montage.
3. Appuyez légèrement sur la tête de commande. Vérifiez que la tête de commande est placée à plat contre le tableau de bord. Effectuez les ajustements nécessaires.
4. Une fois la tête de commande en place, utilisez un poinçon ou un crayon pour marquer les quatre trous de vis d'angle sur le tableau de bord.
5. Retirez la tête de commande du tableau de bord et mettez-la de côté.
6. Utilisez une mèche de 4.78 mm [3/16 po] pour percer les quatre trous de vis d'angle.
7. Insérez un boulon dans le trou d'angle percé. Retirez la bande adhésive de l'écrou du support en L. Sous le tableau de bord, commencez à fixer le boulon à l'écrou du support en L. Assurez-vous que l'écrou du support en L est aligné avec la découpe du tableau de bord, et soulevez le boulon pour amener l'écrou du support en L sous le tableau de bord. Appuyez sur l'écrou du support en L pendant 30 secondes pour activer le ruban adhésif, puis retirez le boulon.
8. Répétez pour les trois autres écrous de support en L.
9. Depuis l'avant de la tête de commande, avec l'écran de tête de commande tourné vers l'extérieur, abaissez soigneusement la tête de commande dans le trou de montage.
10. Appliquez une petite quantité d'anti-grippage sur chaque boulon. Fixez une vis dans chaque trou d'angle de la tête de commande jusqu'à ce qu'elle touche le fond du trou. **Serrez à la main seulement!**
11. Utilisez un tournevis cruciforme pour serrer chaque boulon de 3/4 de tour supplémentaire. **Serrez à la main uniquement!**
12. Remplacez les quatre couvercles d'angle.

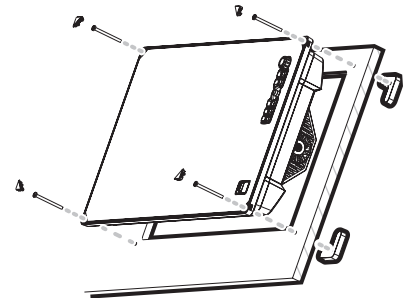
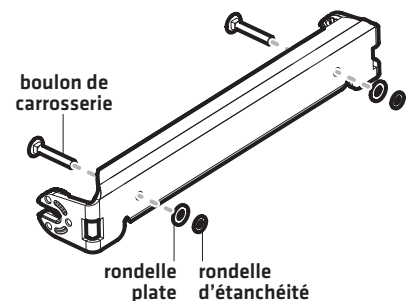
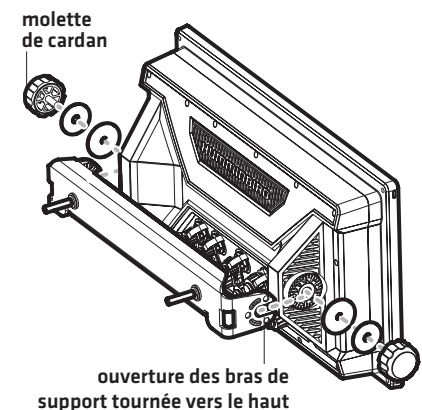


AVERTISSEMENT ! N'utilisez PAS des outils électriques pour fixer la quincaillerie.

Installation du montage arrière

Pour installer le support de montage du tableau de bord, vous aurez besoin des molettes de cadran incluses avec votre tête de commande.

1. Placez la tête de commande sur une serviette ou un chiffon, avec l'écran tourné vers le bas, sur une surface plane et stable.
2. Voir l'illustration *Installation des boulons*. Installez les boulons de carrosserie [7 mm [1/4 po] - 20] sur le support avec la rondelle plate [7 mm [1/4 po] x 19 mm [3/4 po]] et la rondelle d'étanchéité [7 mm [1/4 po] x 12,7 mm [1/2 po]] dans l'ordre indiqué sur l'illustration. Serrez complètement les rondelles à la main jusqu'à ce qu'elles soient à plat et fixées sur le support.
3. Alignez les bras du support aux mécanismes à rocher situés sur le côté de la tête de commande. L'ouverture des bras de support doit être orientée vers le haut [à l'écart des ports de la tête de commande]. Réglez le support pour qu'il soit parallèle à l'écran de la tête de commande. Voir l'illustration *Installation du support*.

Installation du tableau de bord à l'avant

Installation des boulons

Installation du support


DU MONTAGE DE TABLEAU DE BORD DE LA SÉRIE APEX™

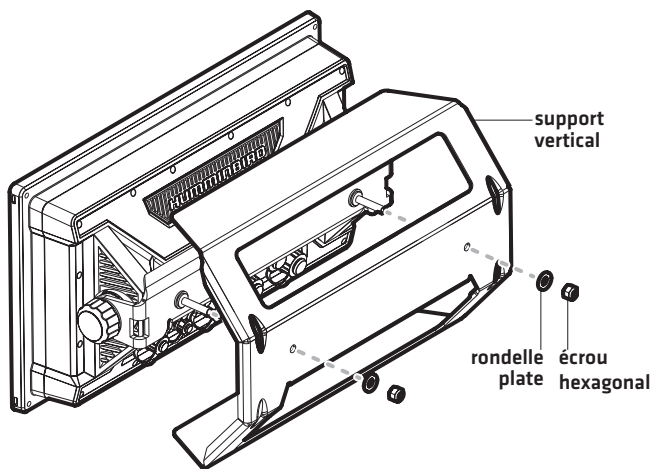
532752-1_A

4. Placez les molettes du cardan de chaque côté de la tête de commande. **Serrez à la main seulement!** Voir l'illustration *Installation du support*.
5. Depuis l'avant de la tête de commande, avec l'écran de tête de commande tourné vers l'extérieur, abaissez soigneusement la tête de commande dans le trou de montage.

REMARQUE : Si la tête de commande n'est pas correctement insérée dans le trou de montage, retirez l'une des molettes à cadran et positionnez la tête de commande dans le trou de montage. Remplacez la molette à cadran avant de continuer vers l'étape 6.

6. Appuyez légèrement sur la tête de commande. Vérifiez que la tête de commande est centrée et bien à plat contre le tableau de bord. Effectuez les ajustements nécessaires.
7. Depuis le dessous du tableau de bord, insérez les trous du support vertical dans les boulons. Assurez-vous que le haut et le bas du support vertical sont uniformément alignés et bien à plat sur le tableau de bord. Voir l'illustration *Installation du support vertical*.
8. Installez une rondelle plate [7 mm [1/4 po] x 19 mm [3/4 po]] et un écrou hexagonal [7 mm [1/4 po] - 20] sur chaque boulon de carrosserie. Voir l'illustration *Installation du support vertical*. Utilisez une clé réglable de 11 mm [7/16 po] pour serrer à la main les écrous jusqu'à ce que l'ensemble soit fixé. Puis serrez de 2 tours supplémentaires maximum. **Serrez à la main seulement!**

Ne serrez PAS excessivement les écrous hexagonaux. Le support doit rester droit sans plier.

Installation du support vertical

4 | Branchement des câbles

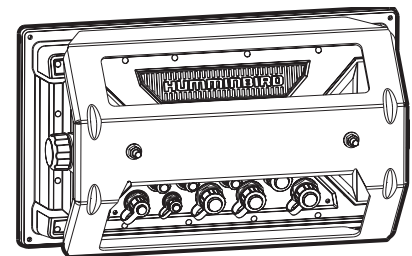
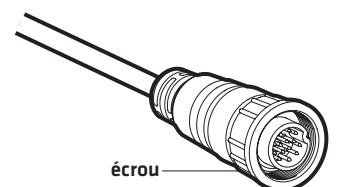
Dans cette étape, vous acheminerez les câbles vers le panneau du connecteur de la tête de commande.

⚠ MISE EN GARDE ! Ne PAS monter les câbles dans un endroit où les connecteurs pourraient être submergés. Si les câbles sont installés dans une zone où des éclaboussures sont possibles, il est préférable d'appliquer de la graisse diélectrique sur l'intérieur des connecteurs pour éviter la corrosion. Il est possible d'acheter la graisse diélectrique séparément dans une quincaillerie ou dans un magasin d'équipement automobile.

1. Acheminez les câbles vers la tête de commande à travers l'ouverture inférieure dans le support vertical. Voir l'illustration *Acheminement des câbles sur la tête de commande*.
2. Branchez chaque câble aux ports appropriés sur la tête de commande. Les prises sont étiquetées et les connecteurs sont clavetés afin de prévenir une mauvaise installation.
3. Serrez à la main l'écrou qui se trouve sur chaque câble de façon à ce que la connexion soit solide. Voir l'illustration *Serrage de l'écrou à la main*.

Couvrez les ports non utilisés éventuels avec les capuchons attachés pour prévenir tout dommage potentiel.

4. La tête de commande est prête à fonctionner. Reportez-vous au Guide de démarrage rapide pour commencer et téléchargez le Manuel d'utilisation APEX/SOLIX sur le site Web humminbird.com.

Acheminement des câbles sur la tête de commande

Serrage de l'écrou à la main


Garantie restreinte d'un (1) an

Nous garantissons à l'acheteur au détail initial que les produits fabriqués par Humminbird sont exempts de défauts de matière et de fabrication. Cette garantie est en vigueur pour une durée d'un an à partir de la date de l'achat initial. Les produits de Humminbird qui sont effectivement défectueux et couverts par cette garantie seront réparés ou remplacés sans frais, à la discrétion de Humminbird, et renvoyés au client, fret payé à l'avance. La seule responsabilité de Humminbird relativement à cette garantie se limite à réparer ou à remplacer un produit jugé défectueux par Humminbird. Humminbird n'est pas responsable des frais reliés à la désinstallation d'un tel produit ni à la réinstallation de la pièce remplacée ou réparée ; ou les frais d'expédition à l'usine ou au centre de service autorisé [si à l'extérieur des États-Unis].

Cette garantie ne couvre pas un produit qui a été :

- Mal installé;
- Installé d'une façon autre que celle recommandée dans la notice d'installation ou le mode d'emploi du produit, y compris les applications commerciales;
- Endommagé ou qui a cessé de fonctionner par suite d'un accident ou d'une utilisation anormale;
- Réparé ou modifié par une entité autre que Humminbird.

Veuillez conserver le reçu de caisse original comme preuve de la date d'achat. Il vous sera demandé pour toute réparation effectuée sous garantie.

CETTE GARANTIE EXPRESSE REMPLACE TOUTE AUTRE GARANTIE, OBLIGATION OU RESPONSABILITÉ DE LA PART DE HUMMINBIRD, ET CONSTITUE LE SEUL RECOURS DU CLIENT, EXCEPTION FAITE DE TOUTE GARANTIE APPLICABLE IMPLICITE EN VERTU D'UNE LOI PROVINCIALE (D'ÉTAT), LIMITÉE PAR LA PRÉSENTE À UNE DURÉE D'UN AN À PARTIR DE LA DATE D'ACHAT INITIALE. HUMMINBIRD NE POURRA EN AUCUN CAS ÊTRE TENUE RESPONSABLE DE TOUT DOMMAGE ACCESSOIRE OU CONSÉCUTIF À L'INOBSERVATION D'UNE GARANTIE EXPRESSE OU IMPLICITE RELATIVE AUX PRODUITS.

Certaines provinces ou certains États ne permettent ni l'imposition de restrictions sur les garanties implicites ni l'exclusion des dommages consécutifs ou indirects, alors ces restrictions ou exclusions pourraient ne pas vous concerner. Vous pourriez également bénéficier d'autres droits, qui varient d'une province (d'un État) à une (un) autre.

Politique de service après-vente de Humminbird

Même si vous n'aurez probablement jamais à utiliser notre politique rigoureuse de service après-vente, il est plaisant de savoir que nous soutenons nos produits avec tant de confiance. Nous agissons ainsi parce que nous croyons que vous méritez ce qu'il y a de mieux. Nous ferons tout en notre pouvoir pour réparer votre appareil en deçà de trois jours ouvrables, à partir de la date de réception de l'appareil à notre usine. Ce délai ne comprend pas la durée du transport jusqu'à notre usine, ni de notre usine jusqu'à vous. Les appareils reçus le vendredi sont habituellement retournés le mercredi suivant, les appareils reçus le lundi sont habituellement retournés le jeudi, et ainsi de suite.

Toutes les réparations sont effectuées en accord avec les spécifications rigoureuses de l'usine, par des techniciens formés en usine. Les appareils réparés en usine sont testés de la même façon et subissent les mêmes contrôles de qualité que les nouvelles unités en production.

À la fin de la période de garantie initiale, une évaluation des frais de service à tarif fixe régulier sera effectuée pour chaque appareil en réparation (dommages physiques et pièces manquantes non comprises). Toute réparation effectuée après la période de garantie initiale est garantie pendant 90 jours à partir de la date de la réparation par notre technicien en usine. Vous pouvez communiquer avec le support technique ou visitez notre site Web pour vérifier les frais de service à tarif fixe pour votre produit (voir la section de soutien technique sur les produits) :

<http://www.humminbird.com>

Nous nous réservons le droit de considérer un produit irréparable si les pièces de rechange sont discontinuées ou impossibles à obtenir. La politique de service après-vente n'est valide qu'aux États-Unis. Elle ne s'applique qu'aux produits Humminbird retournés à notre usine située à Eufaula, Alabama. La politique de service après-vente est modifiable sans préavis.

CLIENTÈLE NATIONALE (ÉTATS-UNIS) :

NE PAS RENVOYER CET APPAREIL EN MAGASIN POUR LE FAIRE RÉPARER

Pour toutes questions techniques, composez le **1-800-633-1468** ou consultez **humminbird.com** et cliquez sur **SUPPORT**.

Munissez-vous du numéro de série et du numéro de modèle de l'appareil avant d'appeler Humminbird.

Comment renvoyer votre appareil pour réparation

Avant de renvoyer votre appareil pour réparation, veuillez communiquer avec l'usine, soit par téléphone ou par courrier électronique, afin d'obtenir un numéro d'autorisation de réparation pour votre appareil.



REMARQUE : Ne pas renvoyer cet appareil en magasin pour le faire réparer.

Assurez-vous d'avoir le nom de modèle et le numéro de série de votre produit avant d'appeler l'usine. Si vous communiquez avec l'usine par courrier électronique, veuillez inclure le nom de modèle et le numéro de série de votre produit dans le message et inscrire Demande de numéro d'autorisation de réparation dans le sujet du courriel. Par la suite, vous devriez toujours vous référer à ce numéro d'autorisation de réparation lors de communications subséquentes au sujet de votre appareil.

Veuillez suivre les étapes suivantes pour les réparations à effectuer SOUS GARANTIE :

- Obtenir un numéro d'autorisation de réparation de support technique Humminbird.
- Étiqueter le produit du nom, de l'adresse et du téléphone, ainsi que du numéro d'autorisation de réparation.
- Décrire brièvement le problème.
- Joindre une copie du reçu [comme preuve d'achat et de date d'achat].
- Renvoyer le produit, fret payé à l'avance, à Humminbird. Assurer l'expédition et demander une preuve de livraison.

Veuillez suivre les étapes suivantes pour les réparations d'appareils N'ÉTANT PLUS SOUS GARANTIE :

- Obtenir un numéro d'autorisation de réparation de support technique Humminbird.
- Joindre le paiement soit en incluant un numéro de carte de crédit avec date d'expiration, soit en joignant un mandat postal ou bancaire. Ne pas envoyer d'argent comptant.
- Étiqueter le produit du nom, de l'adresse et du téléphone, ainsi que du numéro d'autorisation de réparation.
- Décrire brièvement le problème.
- Renvoyer le produit, fret payé à l'avance, à Humminbird. Assurer l'expédition et demander une preuve.

Pour communiquer avec Humminbird

site Web : humminbird.com

Courrier électronique : service@humminbird.com

Téléphone : 1-800-633-1468

Adresse d'expédition directe : Humminbird
Service Department
678 Humminbird Lane
Eufaula, AL 36027 USA



AVERTISSEMENT ! La réparation et le démontage de cet appareil électronique doivent être effectués uniquement par un personnel d'entretien autorisé. Toute modification du numéro de série ou réparation par un personnel non autorisé entraînera l'annulation de la garantie.



REMARQUE : Les caractéristiques et spécifications peuvent être modifiées sans préavis.

DÉCLARATION DE CONFORMITÉ AVEC L'ENVIRONNEMENT : Johnson Outdoors Marine Electronics, Inc. entend agir en de façon responsable, et respecter la réglementation environnementales connues et applicables et la politique de bon voisinage des communautés où elle fabrique et vend ses produits.

DIRECTIVE DEEE : La directive EU 2002/96/CE sur les « déchets d'équipements électriques et électroniques [DEEE] » concerne la plupart des distributeurs, vendeurs et fabricants d'équipements électroniques grand public dans l'Union européenne. La directive DEEE requiert que le producteur d'équipements électroniques grand public prenne en charge la gestion des déchets de leurs produits et mettent en oeuvre leur élimination en respectant l'environnement, pendant le cycle de vie du produit.

Il est possible que la conformité à la directive DEEE ne soit pas requise sur le site pour les équipements électriques et électroniques [EEE], ou pour les équipements EEE conçus et destinés à des installations temporaires ou fixes sur les véhicules de transport tels que les automobiles, les aéronefs ou les bateaux. Dans certains pays membres de l'Union européenne, ces véhicules n'entrent pas dans le domaine d'application de la directive, et les EEE pour ces applications peuvent être considérés exclus de la conformité à la directive WEEE.





Ce symbole [poubelle DEEE] figurant sur le produit indique qu'il ne doit pas être mis au rebut avec les autres déchets ménagers. Il doit être éliminé et recueilli pour le recyclage et la récupération des équipements EEE à mettre au rebut. Johnson Outdoors Marine Electronics, Inc. marque tous les produits EEE conformément à la directive DEEE. Notre but est de respecter les directives sur la collecte, le traitement, la récupération et la mise au rebut de ces produits en respectant l'environnement ; ces exigences varient toutefois d'un état membre à l'autre de l'Union européenne. Pour obtenir d'autres renseignements sur les sites d'élimination des déchets d'équipements en vue de leur recyclage et de leur récupération et/ou sur les exigences des états membres de l'Union européenne, renseignez-vous auprès du distributeur ou du lieu d'achat de votre produit.

TRANSOM TRANSDUCER Installation Guide

532508-4_A

The transom mount installation allows adjustment of both running angle and depth after the transducer is mounted, which enables you to tune the installation for best results. It is important to read the instructions completely and understand the mounting guidelines before beginning this installation.

 **NOTE:** Due to the wide variety of hulls, only general instructions are presented in this guide. Each boat hull represents a unique set of requirements that should be evaluated prior to installation. For detailed information about installing transducers on different hull types, download the Transducer Installation Resource Guide from our Web site at humminbird.com.

 **NOTE:** Your transducer may not look exactly like the transducer shown in the illustrations, but it will mount in exactly the same way.

INSTALLATION PREPARATION

Install the control head before you start the transducer installation. See the control head installation guide.

Review your boat manufacturer's owner's manual for recommended transducer installation locations and cable routing methods, as well as your transom and/or deadrise angle.

Read and understand your boat's warranty before starting this installation.

Visit our Web site at humminbird.com for additional information and resources for transducer installations. Also, visit youtube.com/humminbirdtv for informational videos.

Confirm your boat is level for the installation.

Consider your speed requirements.

Traveling over 65 mph with the transducer in the water is not recommended with the transom mount transducer, as damage may occur. If speed above 65 mph is critical, see the FAQ [Frequently Asked Questions] section of our Web site at humminbird.com.

Supplies: In addition to the hardware supplied with your transducer, you will need a powered hand drill and various drill bits, various hand tools, including a ruler or straightedge, a level, marker or pencil, Phillips-head screwdriver, flat head screw driver, a socket/nut driver, a 1/2" [13 mm] wrench and torque wrench, safety glasses and dust mask, marine-grade silicone sealant, and dielectric grease [optional]. You may also need extension cables and hardware for routing the cable to the control head.

INSTALLATION OVERVIEW

New Installation: Review *Turbulence-Free Mounting Guidelines* and proceed to section 1. **Mount the Transom Bracket to the Boat.**

Previously-installed Transducer: If you have a previously-installed XHS transducer on the transom, the bracket in this installation kit can be installed in the same location using the following instructions:

1. Line up the metal bracket with the previously-used mounting holes to confirm that the two slot holes match the previous installation. Fill any unused holes with marine-grade silicone sealant.

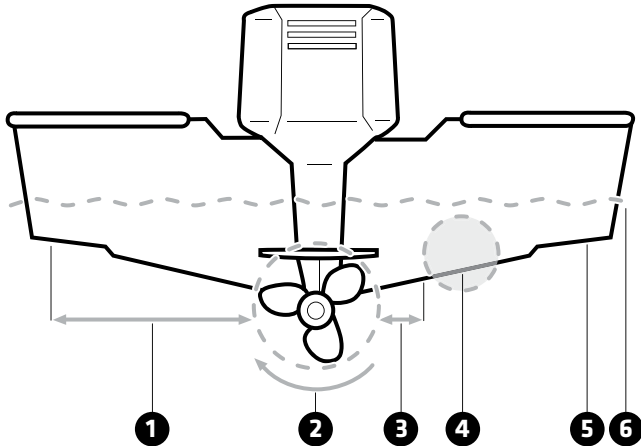
TRANSOM TRANSDUCER Installation Guide

532508-4_A


2. Make sure the boat is level on the trailer (from port to starboard and from bow to stern).
3. Proceed to section **2. Install the Transducer.**

TURBULENCE-FREE MOUNTING GUIDELINES

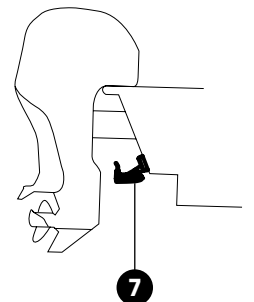
It is very important to locate the transducer in an area that is relatively free of turbulent water. Consider the following to find the best location with the least amount of turbulence:



- 1** **Avoid areas where there is turbulent water flow.** Turbulent water is normally confined to areas immediately aft of ribs, strakes, or rivets on the bottom of the boat, and in the immediate area of the propeller[s]. The best way to locate turbulence-free water is to view the transom while the boat is moving.
- 2** **Observe your propeller's direction of rotation** (in forward, as you're facing the stern of the boat from behind). Clockwise propellers create more turbulence on the port side. Counterclockwise propellers create more on the starboard side.
- 3** **Ensure there is adequate distance from the propeller[s].** On outboard or inboard/outboard boats, it is best to locate the transducer at least 15" (38.1 cm) to the side of the propeller[s].
- 4** **The ideal mounting location [right of the propeller[s]].** It is important to note that if you plan to trailer your boat, do not mount the transducer too close to trailer bunks or rollers to avoid moving or damaging the transducer during loading and unloading of the boat.
- 5** **For boats with stepped hulls,** it may be possible to mount the transducer on the step. Do not mount the transducer on the transom behind a step to avoid popping the transducer out of the water at higher speeds.
- 6** **The transducer must be mounted so that it is parallel with the waterline, but fully submerged in the water during operation.**
- 7** **If you have a Side Imaging® transducer,** the transducer must NOT have anything obstructing the 'view' of the side looking beams. For example, nothing can be in the line of sight of these beams [not a hull, motor, or other transducer, etc.]

 **NOTE:** You may need to tilt the motor up and out of the way when using the side looking beams.

Deadrise: The hydrodynamic shape of your transducer allows the sonar beams to point down without deadrise adjustment.



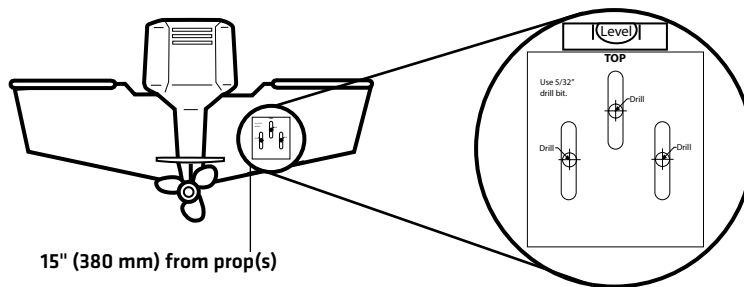
Unobstructed View: This jack plate installation gives the transducer safe distance from the motor and turbulence. The Side Imaging has a clear view side-to-side.

1 | Mount the Transom Bracket to the Boat

1. Confirm the boat is level on the trailer (both from port to starboard and from bow to stern).
2. Hold the mounting bracket against the transom of the boat in the location you have selected. Align the bracket horizontally, using the level. Make sure that the lower corner of the bracket does not protrude past the bottom of the hull.

If your propeller moves **clockwise** as the boat moves forward (as you're facing the stern of the boat from behind), mount the transducer on the starboard side. If your propeller moves **counterclockwise** as the boat moves forward (as you're facing the stern of the boat from behind), mount the transducer on the port side.

Using the Mounting Bracket to Mark the Drill Holes



3. Continue to hold the bracket on the transom of the boat, and use a pencil or marker to mark where to drill the three mounting holes. Mark the drill holes near the top of each slot, making sure that your mark is centered in the slot.
4. Make sure the drill bit is perpendicular to the actual surface of the transom, NOT parallel to the ground, before you drill.

Using a 5/32" [4.0 mm] bit, drill the three holes to a depth of approximately 1" [25 mm].

NOTE: On fiberglass hulls, it is best to use progressively larger drill bits to reduce the chance of chipping or flaking the outer coating.

5. Use a marine-grade silicone sealant to fill the drilled holes.
6. Align the transom bracket with the mounting holes. The center slot should be above the two outer slots. Confirm the bracket is level.
7. Using a hand socket/nut driver, install the three #10-1" [25 mm] screws into the drilled holes, but **do not tighten completely**.

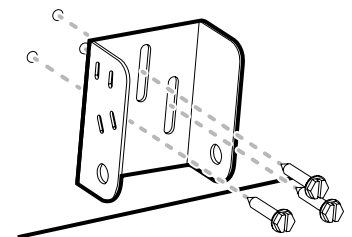
NOTE: Make sure the mounting screws are snug, but do not fully tighten the mounting screws at this time to allow the transducer assembly to slide for adjustment purposes.

2 | Install the Transducer

The transom bracket allows you to adjust the height, and the pivot bolts allow you to adjust the angle of the transducer. These adjustments help reduce cavitation and air bubbles around the transducer during operation.

1. Align the transducer bracket with the holes on top of the transducer.
2. Use a Phillips-head screwdriver to install a 7/16" [11 mm] screw and #8 split ring lock washer into each bracket hole (6 holes total). Hand tighten each screw until each split ring lock washer flattens. **Hand tighten only.**
3. Align the holes on the transducer bracket with the holes on the transom bracket.

Attaching the Bracket to the Transom

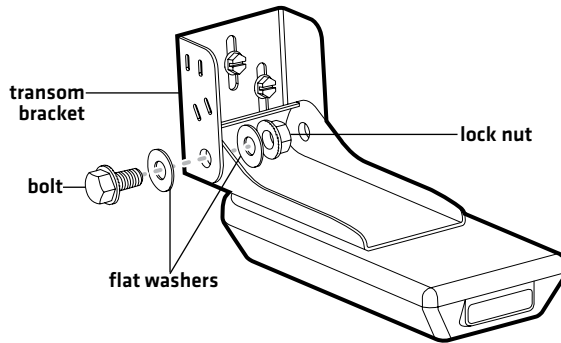


TRANSOM TRANSDUCER Installation Guide

532508-4_A

- Install the pivot bolt, 2 washers, and lock nut into the first hole as shown in the illustration *Installing the Transducer Bracket*. Repeat for the second hole.
- Use a 1/2" [13 mm] wrench to tighten the assembly, but do not fully tighten the hardware at this time [so you can make adjustments if needed after testing the installation].

Installing the Transducer Bracket



3 | Confirm the Mounting Angle

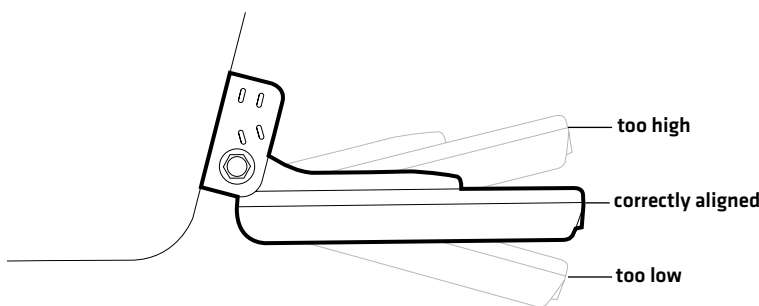
You will need to adjust the initial angle of the transducer both vertically and horizontally to confirm the transducer mounting angle.

- Confirm the height of the transducer is high enough on the transom so it is out of the jet stream when the boat is on plane and that it will be submerged in the water during trolling speeds.

To adjust the height, loosen the screws slightly in the transom bracket, and slide the bracket up or down using the slots. If you cannot access the screws, you may need to uninstall the transducer, adjust the height, and repeat the installation instructions in sections 1 and 2.

- Adjust the angle of the transducer**, so it is parallel with the length of the boat hull, with a slight down angle [approximately 5 degrees].

Adjusting the Transducer Running Angle



- Hand tighten the two pivot bolts, using a 1/2" [13 mm] wrench.



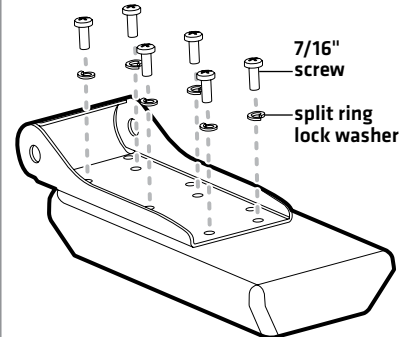
NOTE: You will finalize the installation after you route the cable and test the installation in the following procedures.

4 | Route the Cable

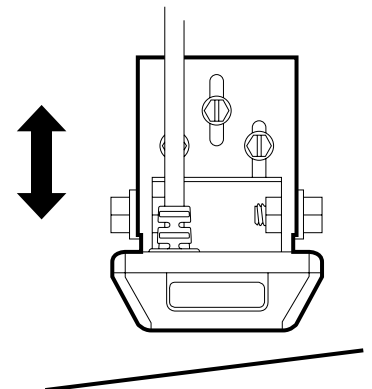
You can route the cable **over the transom** or **through a hole in the transom above the waterline**. Your boat may have a pre-existing wiring channel or conduit that you can use to route the cable. Select the routing method that is best for your boat configuration, and purchase any extension cables, cable clips, clamps, etc. as needed.

- It is best to route the cable to the side of the transducer so the transducer will not damage the cable during movement.

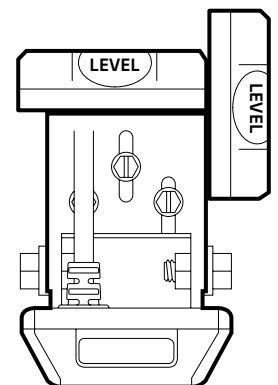
Attaching the Transducer Bracket



Adjusting the Height



Leveling the Bracket



TRANSOM TRANSDUCER Installation Guide

532508-4_A

- The transducer can pivot up to 90 degrees in the bracket. Allow enough slack in the cable for this movement.
- If you drill any holes, fill them with marine-grade silicone sealant.
- **Excess Cable:** If there is excess cable that needs to be gathered at one location, dress the cable routed from both directions so that a single loop is left extending from the storage location. Doubling the cable up from this point, form the cable into a coil. Storing excess cable using this method can reduce electronic interference.

⚠ CAUTION! Do not cut or shorten the transducer cable, and try not to damage the cable insulation. Route the cable as far as possible from any VHF radio antenna cables or tachometer cables to reduce the possibility of interference. If the cable is too short, extension cables are available to extend the transducer cable up to a total of 50'. For assistance, contact Humminbird® Technical Support.

⚠ CAUTION! Do NOT mount the cables where the connectors could be submerged in water or flooded. If cables are installed in a splash-prone area, it may be helpful to apply dielectric grease to the inside of the connectors to prevent corrosion. Dielectric grease can be purchased separately from a general hardware or automotive store.

5 | Connect the Cable

1. Connect the transducer cable to the transducer port on the control head or cable connector (if applicable).

The connector is keyed to prevent reversed installation, and insertion should be easy. Do not force the connectors into the ports.

If the cable connector is round, hand-tighten the screw nut to secure the cable connection. **Hand-tighten only!**

Refer to your control head installation guide for additional details.

6 | Test and Finish the Installation

Once you have installed the control head, the transducer, and have routed all the cables, you must perform a final test before locking the transducer in place.

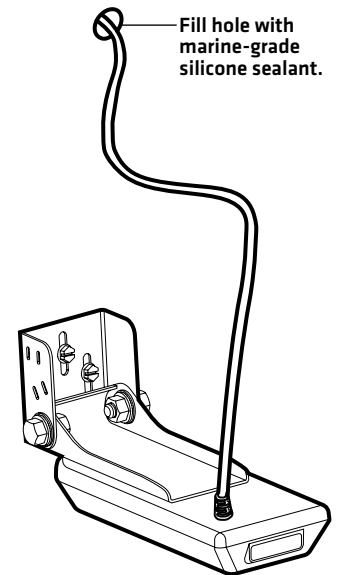
Testing should be performed with the boat in water deeper than 2 feet. The transducer should be fully submerged because the sonar signal cannot pass through air.

⚠ WARNING! The transducer must be fully submerged in water during operation because the sonar signal cannot pass through air. Air pinging can damage the transducer.

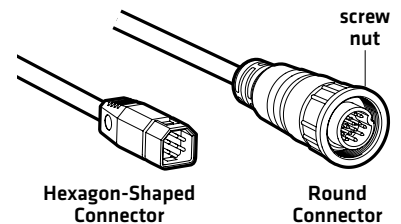
Test the Transducer Installation on the Control Head

1. Press the POWER key to turn on the control head.
If the transducer is detected, the control head will start Normal mode.
2. Select a Sonar View to display on-screen.
HELIX®: Press and hold the VIEW key. Select Sonar > Sonar View.
SOLIX®: Press the HOME key. Select a 2D Sonar View.
Other: See your control head operations manual.
3. If the bottom is visible on-screen with a digital depth readout, the unit is working properly.
4. **2D Sonar Test:** If the unit is working properly, gradually increase the boat speed to test high-speed performance.
5. Review the sonar returns displayed on the [2D] Sonar View. If the unit functions well at low speeds, but begins to skip or miss the bottom at higher speeds, the transducer requires adjustment.

Routing the Cable



Transducer Connectors



TRANSOM TRANSDUCER Installation Guide

532508-4_A

CAUTION! If you do change the transducer position, re-trace the position of the mounting bracket before proceeding.

- Side Imaging® Test:** Select a Side Imaging View.
HELIX: Press and hold the VIEW key. Select Sonar > Side Imaging View.
SOLIX: Press the Home key. Select a Side Imaging View.
Other: See your control head operations manual.
- Navigate the boat in a straight line at trolling speed. Confirm there is nothing obstructing the display of the side imaging beams.

Finalize the Transducer Installation

Once you have reached a consistently good sonar signal at the desired speeds, you are ready to lock down the transducer settings.

- Confirm the transom bracket is level and hand tighten the screws until they are secure. **Hand tighten only!**
 Fully tighten the two pivot bolts, using a 1/2" [13 mm] torque wrench to 12 ft-lbs. If you don't have a torque wrench, use a crescent/box wrench to hand tighten the two pivot bolts until they are secure, then turn the wrench 45 to 60 degrees more. **Hand tighten only!**

MAINTENANCE

If your transducer remains in the water for long periods of time, slush, algae and other marine growth can reduce the effectiveness of the transducer. Periodically clean the face of the transducer with a mild, marine-safe and plastic-safe soap or solution.

If your transducer remains out of the water for a long period of time, it may take some time to wet the transducer after it is returned to the water. Small air bubbles can cling to the surface of the transducer and interfere with proper operation. These bubbles will dissipate with time, or you may wipe the face of the transducer with your fingers after the transducer is in the water.

Contact Humminbird

Web site: humminbird.com

E-mail: service@humminbird.com

Telephone: 1-800-633-1468

Direct Shipping: Humminbird
 Service Department
 678 Humminbird Lane
 Eufaula, AL 36027 USA

WARNING! Disassembly and repair of this electronic unit should only be performed by authorized service personnel. Any modification of the serial number or attempt to repair the original equipment or accessories by unauthorized individuals will void the warranty.

WARNING! The transducer must be fully submerged in water during operation because the sonar signal cannot pass through air. Air pinging can damage the transducer.


NOTE: Download Humminbird installation guides and operations manuals from our Web site at humminbird.com.

NOTE: Product specifications and features are subject to change without notice.

ENVIRONMENTAL COMPLIANCE STATEMENT: It is the intention of Johnson Outdoors Marine Electronics, Inc. to be a responsible corporate citizen, operating in compliance with known and applicable environmental regulations, and a good neighbor in the communities where we make or sell our products.

WEEE DIRECTIVE: EU Directive 2002/96/EC "Waste of Electrical and Electronic Equipment Directive [WEEE]" impacts most distributors, sellers, and manufacturers of consumer electronics in the European Union. The WEEE Directive requires the producer of consumer electronics to take responsibility for the management of waste from their products to achieve environmentally responsible disposal during the product life cycle.


WEEE compliance may not be required in your location for electrical & electronic equipment (EEE), nor may it be required for EEE designed and intended as fixed or temporary installation in transportation vehicles such as automobiles, aircraft, and boats. In some European Union member states, these vehicles are considered outside of the scope of the Directive, and EEE for those applications can be considered excluded from the WEEE Directive requirement.


 This symbol [WEEE wheelee bin] on product indicates the product must not be disposed of with other household refuse. It must be disposed of and collected for recycling and recovery of waste EEE. Johnson Outdoors Marine Electronics, Inc. will mark all EEE products in accordance with the WEEE Directive. It is our goal to comply in the collection, treatment, recovery, and environmentally sound disposal of those products; however, these requirements do vary within European Union member states. For more information about where you should dispose of your waste equipment for recycling and recovery and/or your European Union member state requirements, please contact your dealer or distributor from which your product was purchased.

TRANSDUCTEUR TRANSOM Guide d'Installation

532508-4_A

L'installation sur le tableau arrière permet l'ajustement de l'angle de marche et de la profondeur une fois le transducteur monté, ce qui vous permet d'ajuster l'installation pour obtenir de meilleurs résultats. Lisez les instructions dans ce guide de transducteur complètement à comprendre les directives de montage avant de commencer l'installation.

 **REMARQUE :** En raison de la grande variété de coques, nous ne présentons dans cette notice que des directives d'installation générales. Chaque bateau présente des exigences particulières qu'il faut évaluer avant l'installation. Pour obtenir des informations détaillées sur l'installation de transducteurs sur différents types de coque, téléchargez le Guide des ressources d'installation des transducteurs sur notre site Web humminbird.com.

 **REMARQUE :** L'apparence de votre transducteur peut être différente de celles des transducteurs illustrés. Le montage est toutefois exactement le même.

PRÉPARATION DE L'INSTALLATION

Installez la tête de commande avant de commencer l'installation du transducteur. Consultez le guide d'installation de la tête de commande.

Consultez le manuel du propriétaire de votre bateau pour connaître les emplacements d'installation des transducteurs recommandés et les méthodes d'acheminement des câbles.

Lisez et comprenez la garantie de votre bateau avant de commencer cette installation.

Visitez notre site Web à humminbird.com pour plus d'informations et de ressources sur les installations de transducteurs. Visitez également [youtube.com/humminbirdtv](https://www.youtube.com/humminbirdtv) pour obtenir des vidéos d'information.

Confirmez que votre bateau est à niveau pour l'installation.

Considérez vos exigences de vitesse.

Pour éviter tout dommage, il est recommandé de ne pas dépasser 105 km / h [65 mi / h] lorsque le transducteur monté sur le tableau de bord est dans l'eau. Si la vitesse au-delà de 105 km/h [65 mph] est critique, consultez la section FAQ (Foire aux questions) de notre site Web à l'adresse humminbird.com.

Matériel : En plus du matériel fourni avec le transducteur, vous aurez besoin d'une perceuse électrique et de forets, ainsi que de divers outils à main, dont une règle ou règle d'ajusteur, un niveau, un marqueur ou crayon, tournevis à tête cruciforme, tournevis à tête plate, une clé à douille, clé de 13 mm [1/2 po] et clé dynamométrique, des lunettes de sécurité, un masque antipoussières et un agent d'étanchéité à base de silicone de qualité marine, et la graisse diélectrique [facultatif]. Vous pouvez aussi avoir besoin de câbles d'extension et de matériel pour la pose du câble à la tête de commande.

PRÉSENTATION DE L'INSTALLATION

Nouvelle installation : Consulter *Directives de montage sans turbulence* et passer à la section **1. Monter le support de tableau arrière sur le bateau.**

Transducteur précédemment installé : Si un transducteur XHS était précédemment installé sur le tableau arrière, le support inclus dans cette trousse d'installation peut être installé au même emplacement.

1. Alignez le support en métal sur les trous de montage existants pour confirmer que les trous correspondent à ceux de l'installation précédente, puis passez en revue les exigences

TRANSDUCTEUR TRANSOM Guide d'Installation

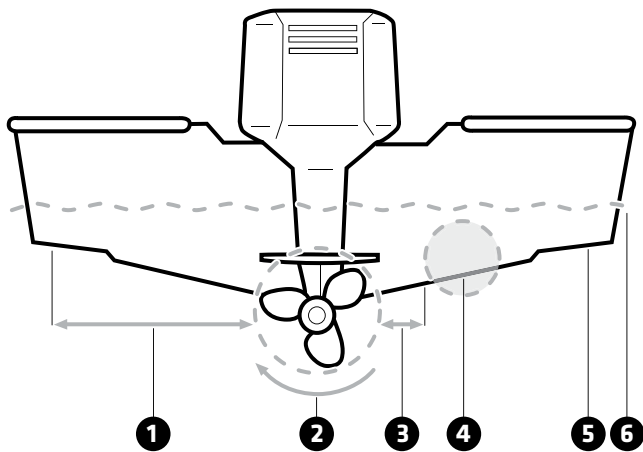
532508-4_A

d'installation incluses dans cette section. Remplissez tous les trous inutilisés avec un agent d'étanchéité à base de silicone de qualité marine.


2. Assurez-vous que le bateau est à niveau sur la remorque [du port au tribord et de la proue à la poupe].
3. Passer à la section 2. *Installer le transducteur.*

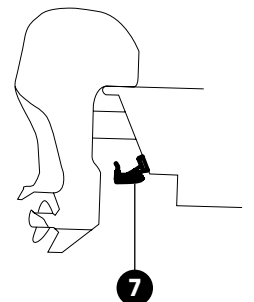
DIRECTIVES DE MONTAGE SANS TURBULENCE

Il est très important de positionner le transducteur à un endroit relativement libre de turbulences. Tenez compte des facteurs suivants pour déterminer l'emplacement où il y aura le moins de turbulences :



- 1 **Évitez les zones où il y a un écoulement d'eau turbulent.** Eau turbulente se limitent normalement aux zones situées directement à l'arrière des membrures, virures ou rangées de rivets sous le bateau et dans la zone immédiate de l'hélice [des hélices]. La meilleure façon de localiser un emplacement libre de turbulences est de regarder le tableau arrière lorsque le bateau se déplace.
- 2 **Observez le sens de rotation de votre hélice** [en marche avant, lorsque, situé à l'arrière du bateau, vous faites face à la poupe]. Les hélices à rotation horaire créent plus de turbulences à bâbord. Les hélices antihoraire créent plus sur le côté tribord.
- 3 **Assurez-vous qu'il y a une distance suffisante par rapport à l'hélice [s].** Sur les bateaux munis d'un moteur hors-bord ou semi-hors-bord, il vaut mieux placer le transducteur à une distance d'au moins 380 mm [15 po] à côté de l'hélice [des hélices].
- 4 **L'emplacement de montage idéal [à droite de l'hélice [s]].** Il est important de noter que si vous envisagez de remorquer votre bateau, ne montez pas le transducteur trop près des couchettes ou des rouleaux de la remorque pour éviter de déplacer ou d'endommager le transducteur pendant le chargement et le déchargement du bateau.
- 5 **Sur les bateaux ayant une coque à décrochement,** il est possible de monter le transducteur sur le décrochement. Ne montez pas le transducteur sur le tableau arrière, derrière un décrochement, sinon le transducteur pourrait émerger de l'eau à haute vitesse.
- 6 **Le transducteur doit être monté de manière à être parallèle à la ligne de flottaison, mais complètement immergé dans l'eau pendant le fonctionnement.**
- 7 **Si vous avez un transducteur à imagerie latérale,** il ne doit y avoir AUCUN obstacle obstruant les faisceaux latéraux, c'est-à-dire que rien ne doit se trouver dans le champ d'action de ces faisceaux [pas de coque, moteur, autre transducteur, etc.].

 **REMARQUE :** Vous pourriez avoir à incliner le moteur vers le haut et hors du champ d'action des faisceaux latéraux lorsque vous les utilisez.



Vue dégagée : La plaque de la prise donne au transducteur une distance sécurisée loin du moteur et de ses turbulences. L'imagerie latérale dispose d'une vue dégagée d'un côté à l'autre.

TRANSDUCTEUR TRANSOM Guide d'Installation

532508-4_A

Relevé de varangue : La forme hydrodynamique du transducteur lui permet de pointer directement vers le bas, sans qu'il soit nécessaire de régler l'angle de relevé de varangue.

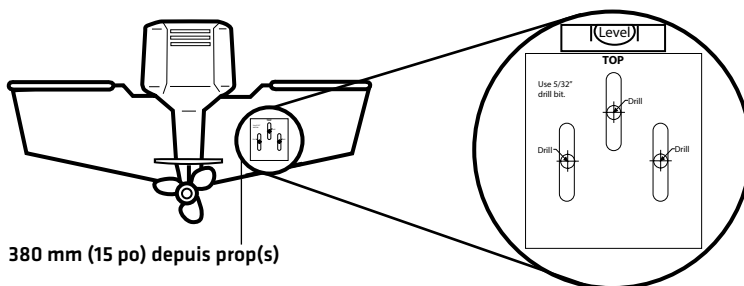
1 | Monter le support du transducteur sur le bateau

1. Assurez-vous que le bateau est de niveau sur la remorque, tant de bâbord à tribord que de la poupe à la proue, en plaçant un niveau sur le pont du bateau, dans une direction d'abord, puis dans l'autre.
2. Maintenez le support de montage contre le tableau arrière du bateau, à l'endroit déterminé au préalable.

Alignez le support horizontalement à l'aide du niveau. Assurez-vous que le coin inférieur du support ne dépasse pas du fond de la coque.


Si l'hélice tourne dans le sens horaire lorsque le bateau avance [lorsque, situé à l'arrière du bateau, vous faites face à la poupe], montez le transducteur à tribord. **Si l'hélice tourne dans le sens antihoraire** lorsque le bateau avance [lorsque, situé à l'arrière du bateau, vous faites face à la poupe], montez le transducteur à bâbord.

Utilisation du support de montage pour marquer les trous à percer




3. Continuez à maintenir le support sur le tableau arrière du bateau, puis servez-vous d'un crayon ou d'un marqueur pour marquer l'emplacement des trois trous de montage. Marquez les trous à percer près du haut de chaque fente, en vous assurant que la marque est centrée dans la fente.
4. Assurez-vous, avant de percer, que le foret de la perceuse est perpendiculaire à la surface du tableau arrière, et NON parallèle au sol.

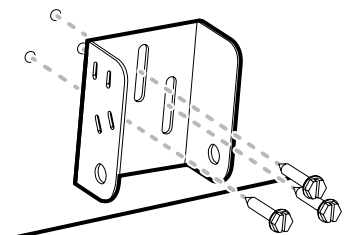
À l'aide d'un foret de 4 mm [5/32 po], percez les trois trous d'une profondeur approximative de 25 mm [1 po].

 **REMARQUE:** Pour les coques en fibre de verre, il vaut mieux commencer avec un foret d'un diamètre plus petit et utiliser des forets d'un diamètre plus grand par la suite afin de réduire les chances d'écailler le revêtement extérieur.

5. Servez-vous d'un agent d'étanchéité à base de silicone de qualité marine pour remplir les trous percés.
6. Alignez le tableau arrière avec les trous de montage. La fente du centre doit être au-dessus des deux autres fentes. Confirmez que le support est bien à niveau.
7. Avec une clé à douille, installez les trois vis à de n°10 - 25 mm [1 po] dans les trous percés, mais ne les serrez pas complètement.

 **REMARQUE :** Assurez-vous que les vis de montage maintiennent le support en place, mais ne les serrez pas à fond pour le moment afin de permettre à l'ensemble transducteur de glisser à des fins d'ajustement.

Fixation du support

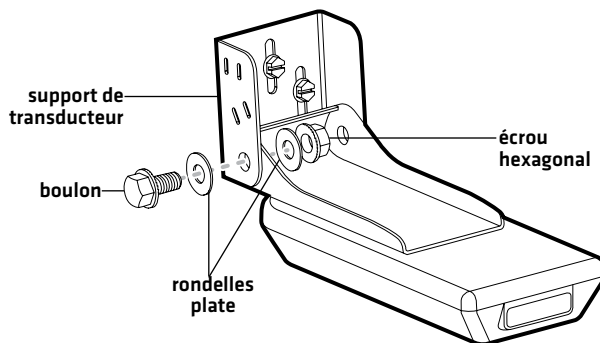


2 | Installer le transducteur

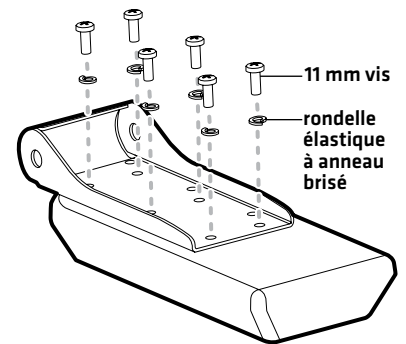
Le support pour tableau arrière vous permet d'ajuster la hauteur, et les boulons pivot vous permettent d'ajuster l'angle du transducteur. Ces ajustements permettent de réduire la cavitation et les bulles d'air autour du transducteur durant son fonctionnement.

1. Alignez le support du transducteur sur les trous en haut du transducteur.
2. Utilisez un tournevis à tête cruciforme pour installer une vis de 11 mm [7/16 po] et une rondelle élastique à anneau brisé n° 8 dans chaque trou sur le support. Serrez chaque vis à la main jusqu'à ce que la rondelle élastique à anneau brisé soit à plat. **Serrez les vis à la main seulement.**
3. Alignez les trous du support du transducteur avec les trous sur le tableau arrière.
4. Installez le boulon pivot, deux rondelles et un écrou dans le premier trou, comme indiqué dans l'illustration *Installation du support de transducteur*. Répétez la procédure pour le deuxième trou.
5. Utilisez une clé 13 mm [1/2 po] pour serrer l'assemblage, mais ne serrez pas encore complètement la quincaillerie [de sorte à pouvoir faire des ajustements au besoin après avoir testé l'installation].

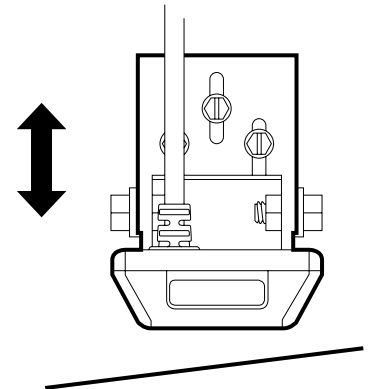
Installation du support de transducteur



Fixation du support de transducteur



Ajustement de la hauteur



3 | Confirmez l'angle de montage

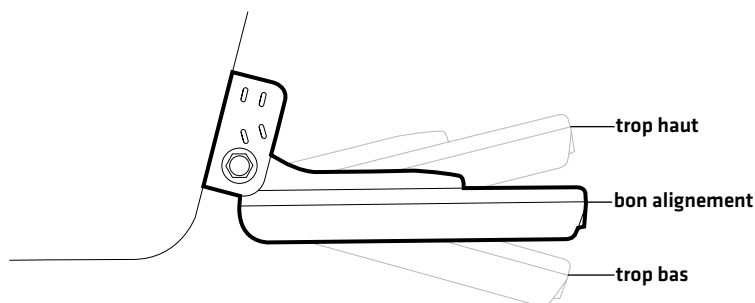
Vous devrez ajuster l'angle initial du transducteur à la fois verticalement et horizontalement pour confirmer l'angle de montage du transducteur.

1. Confirmez que la hauteur du transducteur sur le tableau arrière est suffisante de sorte que le transducteur soit éloigné du courant jet lorsque le bateau est en mouvement et qu'il soit submergé durant les vitesses de traîne.

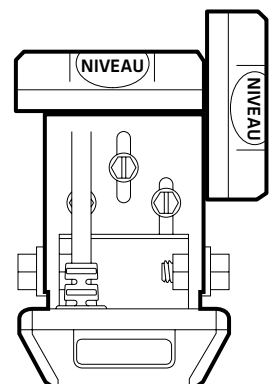
Pour ajuster la hauteur, desserrez légèrement les vis du support sur le tableau arrière, puis montez ou descendez le support en utilisant les rainures. Si les vis sont inaccessibles, il peut être nécessaire de désinstaller le transducteur, d'ajuster la hauteur et de répéter ensuite les instructions d'installation des sections 1 et 2.

2. **Ajustez l'angle du transducteur** de sorte qu'il soit parallèle à la longueur de la coque du bateau avec un léger angle vers le bas [environ 5°].

Ajustement de l'angle de fonctionnement du transducteur



Mise à niveau du support



TRANSDUCTEUR TRANSOM Guide d'Installation

532508-4_A

- Serrez les deux boulons pivot à l'aide d'une clé de 13 mm [1/2 po].



REMARQUE: Vous percerez le troisième trou de montage et complétez l'installation après avoir acheminé le câble et effectué des essais [dans les procédures suivantes].

4 | Acheminement du câble

Vous pouvez faire passer le câble par **dessus le tableau arrière du bateau** ou **à travers un trou dans le tableau ci-dessus la ligne de flottaison**. Il se peut que votre bateau soit déjà muni d'une canalisation ou conduite de câblage, que vous pourriez utiliser pour acheminer le câble du transducteur. Sélectionnez la méthode de routage qui est le mieux pour la configuration de votre bateau, et acheter de câbles d'extension, des serre-câbles, pinces, etc, si nécessaire.

- Il vaut mieux acheminer le câble à côté du transducteur afin que le transducteur ne l'endommage pas lors du déplacement du bateau.
- Le transducteur peut pivoter sur le support. Laissez assez de mou dans le câble pour accommoder ce mouvement.
- Si vous percez des trous, les remplir avec du mastic silicone de qualité marine.**
- Câble excédentaire :** Si le câble est un peu long et que vous devez ranger l'excédent quelque part, placez le câble que vous aurez tiré des deux directions de façon à ne former qu'une seule boucle. Doublez le câble à partir de ce point et enroulez-le en spirale. Le fait de ranger l'excès de câble de cette manière peut contribuer à réduire les interférences électroniques.



MISE EN GARDE ! Ne coupez pas le câble du transducteur pour le raccourcir et essayez de ne pas endommager le revêtement isolateur du câble. Gardez le câble le plus à l'écart possible de tout câble d'antenne de radio VHF ou de câble de tachymètre, afin de limiter les possibilités d'interférence. Si le câble du transducteur est trop court, vous pouvez vous procurer des rallonges pour le prolonger jusqu'à une longueur totale de 15 m [50 pi]. Pour obtenir de l'aide, contactez le support technique Humminbird.



MISE EN GARDE ! Ne montez PAS les câbles dans un endroit où les connecteurs pourraient être submergés. Si les câbles sont installés dans une zone où des éclaboussures sont possibles, il est préférable d'appliquer de la graisse diélectrique sur l'intérieur des connecteurs pour éviter la corrosion. Vous pouvez acheter la graisse diélectrique séparément dans une quincaillerie ou un magasin d'équipement automobile.

5 | Brancher le câble

- Branchez le câble de la sonde au port de transducteur sur la tête de commande.

Le connecteur est claveté afin de prévenir une installation inversée. L'insertion devrait être aisée. Ne forcez pas les connecteurs dans les ports.

Si le connecteur de câble est rond, serrez l'écrou à la main pour sécuriser le branchement. Serrez la vis à la main seulement !

Reportez-vous au guide d'installation de votre tête de commande pour plus de détails.

6 | Essai et fin de l'installation

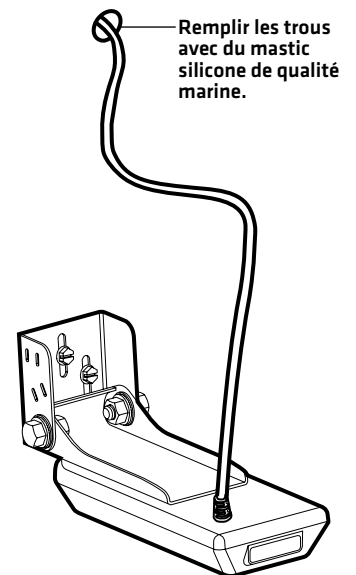
Lorsque vous avez terminé l'installation de la tête de commande, le transducteur et que vous avez acheminé tous les câbles, vous devez effectuer des essais avant de bloquer le transducteur en position.

Essais doivent être effectués bateau dans les eaux profondes de 60 cm [2 pi] ou plus. Le transducteur doit être complètement immergée car le signal sonar ne peut pas passer à travers l'air.

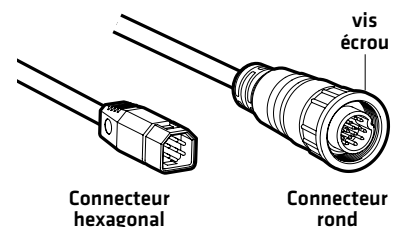


AVERTISSEMENT ! Le transducteur doit être complètement submergé dans l'eau pendant le fonctionnement car le signal du sonar ne peut pas traverser l'air. Un cliquetis d'air peut endommager le transducteur.

Acheminement du câble



Connecteurs du transducteur



Testez l'installation du transducteur sur la tête de commande

1. Appuyez sur la touche Mise en marche [POWER] pour mettre la tête de commande en marche.

Le tête de commande active le mode de fonctionnement normal si un transducteur est détecté.

2. Sélectionnez une vue sonar à afficher à l'écran.

HELIX : Appuyez sur la touche AFFICHAGE et tenez-la enfoncée. Sélectionnez Sonar > Vue sonar.

SOLIX : Appuyez sur la touche Accueil. Sélectionnez une vue sonar.

Autre : Consultez le guide d'utilisation de votre tête de commande.

3. Si le fond et un indicateur numérique de la profondeur sont visibles à l'écran, c'est que l'appareil fonctionne adéquatement.
4. **2D Sonar Test**: Si l'appareil fonctionne correctement, augmentez progressivement la vitesse du bateau pour tester les performances à haute vitesse.
5. Examinez les retours de sonar affichés sur la vue sonar [2D].



MISE EN GARDE ! Si vous décidez de changer la position du transducteur, retracez au préalable la position du support de montage.

6. **Essai de l'imagerie latérale** : Sélectionnez une vue d'imagerie latérale.

HELIX : Appuyez sur la touche VISUALISER sans la relâcher. Sélectionnez Sonar > Vue d'imagerie latérale.

SOLIX : Appuyez sur la touche Accueil. Sélectionnez une vue d'imagerie latérale.

Autre : Consultez le guide d'utilisation de votre tête de commande.

7. Naviguez en ligne droite à une vitesse comprise à la vitesse de pêche à la traîne. Confirmez qu'aucune obstruction n'apparaît des faisceaux d'imagerie latérale sur l'écran.

Finaliser l'installation du transducteur

Lorsque vous obtenez un bon signal continu du sonar, vous serez prêt à bloquer les réglages du transducteur.

8. Confirmer le support du tableau arrière est de niveau et serrez les vis jusqu'à ce qu'ils soient en sécurité. **Serrez à la main seulement!**

Serrez complètement les deux boulons pivot à l'aide d'une clé de 13 mm [1/2 po] à un couple de 12 pi-lb. Si vous ne disposez pas d'une clé dynamométrique, utiliser une clé à molette serrer à la main les deux boulons de pivot jusqu'à ce qu'ils soient en sécurité, puis tourner la clé 45 à 60 degrés de plus. **Serrez à la main seulement!**

ENTRETIEN

Si le transducteur demeure à l'eau pendant de longues périodes, les salissures peuvent réduire l'efficacité du transducteur. Nettoyez périodiquement la façade du transducteur avec un savon ou liquide doux et sans danger pour le plastique et pour le milieu biologique marin.

Si le transducteur est sorti de l'eau pendant une période prolongée, il faut le laisser reposer un certain temps après l'avoir remis dans l'eau. De petites bulles d'air peuvent adhérer à la surface du transducteur et gêner son fonctionnement. Ces bulles se dissipent avec le temps; vous pouvez également essuyer la surface du transducteur avec les doigts après l'avoir remis dans l'eau.

Pour communiquer avec Humminbirdsite Web : humminbird.comCourrier électronique : service@humminbird.com

Téléphone : 1-800-633-1468

Adresse d'expédition directe : Humminbird
Service Department
678 Humminbird Lane
Eufaula, AL 36027 USA



AVERTISSEMENT ! La réparation et/ou le démontage de cet appareil électronique doit être effectué uniquement par un personnel d'entretien autorisé. Toute modification du numéro de série et/ou réparation par un personnel non autorisé entraînera l'annulation de la garantie.



AVERTISSEMENT ! Le transducteur doit être complètement submergé dans l'eau pendant le fonctionnement car le signal du sonar ne peut pas traverser l'air. Un cliquetis d'air peut endommager le transducteur.



REMARQUE : Les guides d'utilisation et d'installation sont téléchargeables sur notre site Web à l'adresse humminbird.com.



REMARQUE : Les caractéristiques et spécifications de ce produit peuvent être modifiées sans préavis.

DÉCLARATION DE CONFORMITÉ AVEC L'ENVIRONNEMENT : Johnson Outdoors Marine Electronics, Inc. entend agir en de façon responsable, et respecter la réglementation environnementales connues et applicables et la politique de bon voisinage des communautés où elle fabrique et vend ses produits.

DIRECTIVE DEEE : La directive EU 2002/96/CE sur les « déchets d'équipements électriques et électroniques [DEEE] » concerne la plupart des distributeurs, vendeurs et fabricants d'équipements électroniques grand public dans l'Union européenne. La directive DEEE requiert que le producteur d'équipements électroniques grand public prenne en charge la gestion des déchets de leurs produits et mettent en oeuvre leur élimination en respectant l'environnement, pendant le cycle de vie du produit.

Il est possible que la conformité à la directive DEEE ne soit pas requise sur le site pour les équipements électriques et électroniques [EEE], ou pour les équipements EEE conçus et destinés à des installations temporaires ou fixes sur les véhicules de transport tels que les automobiles, les aéronefs ou les bateaux. Dans certains pays membres de l'Union européenne, ces véhicules n'entrent pas dans le domaine d'application de la directive, et les EEE pour ces applications peuvent être considérés exclus de la conformité à la directive WEEE.



Ce symbole [poubelle DEEE] figurant sur le produit indique qu'il ne doit pas être mis au rebut avec les autres déchets ménagers. Il doit être éliminé et recueilli pour le recyclage et la récupération des équipements EEE à mettre au rebut. Johnson Outdoors Marine Electronics, Inc. marque tous les produits EEE conformément à la directive DEEE. Notre but est de respecter les directives sur la collecte, le traitement, la récupération et la mise au rebut de ces produits en respectant l'environnement ; ces exigences varient toutefois d'un état membre à l'autre de l'Union européenne. Pour obtenir d'autres renseignements sur les sites d'élimination des déchets d'équipements en vue de leur recyclage et de leur récupération et/ou sur les exigences des états membres de l'Union européenne, renseignez-vous auprès du distributeur ou du lieu d'achat de votre produit.