



TROLLING MOTOR TRANSDUCER INSTALLATION GUIDE

Use the instructions in this guide to install the transducer on your trolling motor.

WARNING! Disconnect the trolling motor from all sources of electrical power before you start the installation.

NOTE: The procedures and features described in this guide are subject to change without notice. This guide was written in English and may have been translated to another language. Humminbird® is not responsible for incorrect translations or discrepancies between documents.

CAUTION! Do NOT install the hose clamps where they can come into contact with the trolling motor support rails.

NOTE: Your transducer may not look exactly like the transducer shown in the illustrations, but it will mount in exactly the same way.

Preparation

Read the instructions in this transducer guide completely to understand the mounting guidelines before starting the installation.

- Disconnect Power:** Disconnect the trolling motor from all sources of electrical power before you start the installation.
- Test Route the Cable Installation:** Test route the transducer cable connector to the control head and confirm that the cable is long enough for the planned route. Your boat may have a pre-existing wiring channel or conduit that you can use for the transducer cable. See section **3: Route the Cable** for requirements.

WARNING! Do not route the cable where it can be damaged by the trolling motor during operation or while stowing and deploying.

NOTE: If the cable is too short, extension cables are available.

1. Test the Transducer Prior to Installation

Prior to installation, test the transducer to make sure that no damage occurred during shipping.

- Confirm the control head is connected to power. See your control head installation guide for instructions.
- Connect the transducer cable to the control head. See section **4: Connect the Cable**.
- Lower the transducer into the water.

WARNING! The transducer must be fully submerged in water during operation because the sonar signal cannot pass through air. Air pinging can damage the transducer.

- Power On:** Press the POWER key to turn on the control head.

If the transducer is detected, the control head will start Normal mode.

- Select a 2D Sonar View to display on-screen.

If the bottom is visible on-screen with a digital depth readout, the transducer is working properly.

- Power Off:** Press and hold the POWER key.

- Remove the transducer from the water.

- Disconnect the transducer cable from the control head.

2. Mount the Transducer on the Trolling Motor

WARNING! Disconnect the trolling motor from all sources of electrical power before you start the installation.

WARNING! Confirm that the trolling motor is properly secured to the boat and will not shift during the installation.

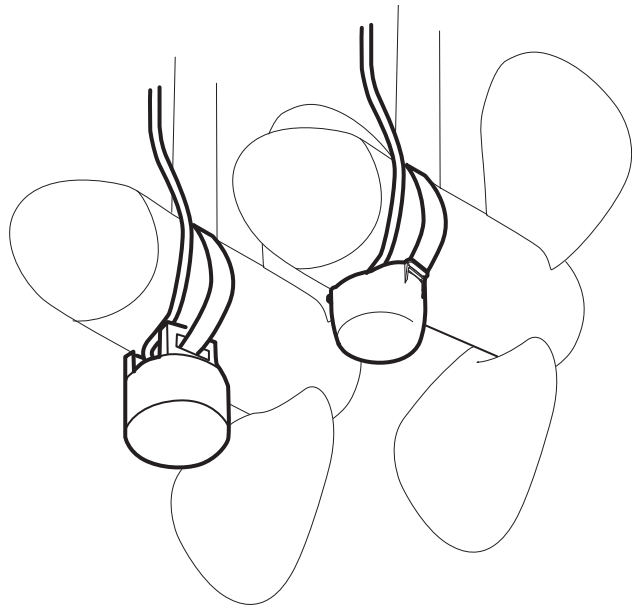
- Position the transducer on the underside of the motor housing.

Refer to the illustration that most resembles your accessory, noting any requirements for directional bias.

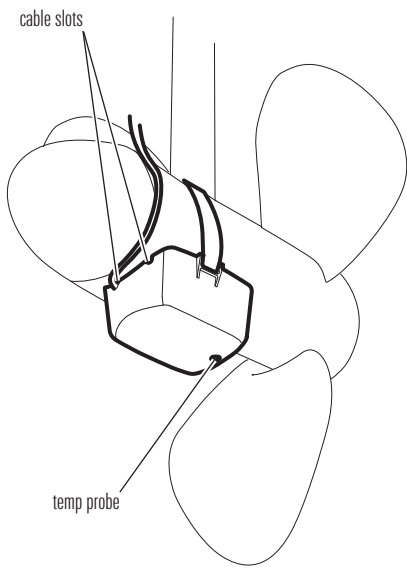
NOTE: Round, circular-bottomed transducers have no directional bias, and therefore orientation of these types of transducers is not as important. Rounded rectangular transducers, however, do have a directional bias, and must be installed as shown in the illustration.

Attaching the Transducer

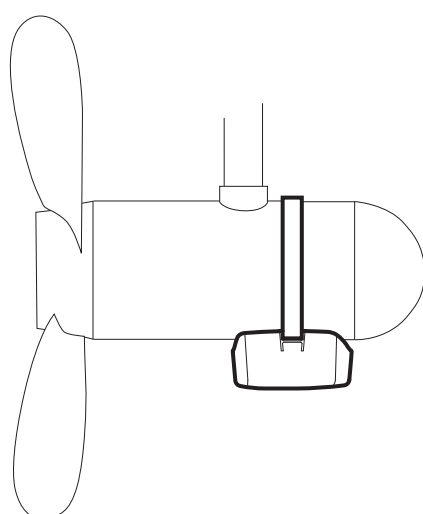
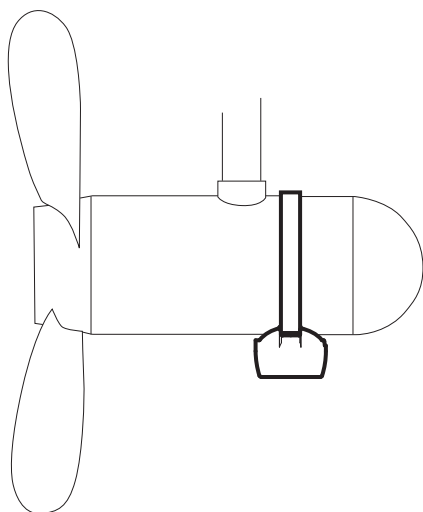
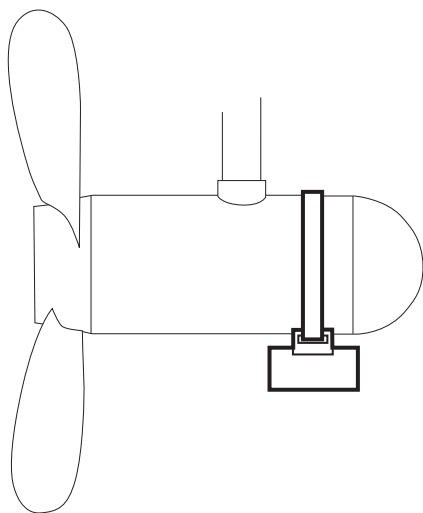
NOTE: The transducers shown below have no directional bias.



NOTE: The transducer shown below has a directional bias, and therefore need to be oriented according to the illustration below.



Side View of the Transducer



The transducer should be mounted forward of the motor shaft. Styles of transducer may differ from the illustration.

- Insert the hose clamp through both openings on the top of the transducer and pull the two ends up around the motor housing.

As you tighten the hose clamp, check to make sure that the transducer is properly aligned with the motor housing.

- After tightening the hose clamp, confirm that the transducer is securely attached to the motor housing and will not slip off while in operation.

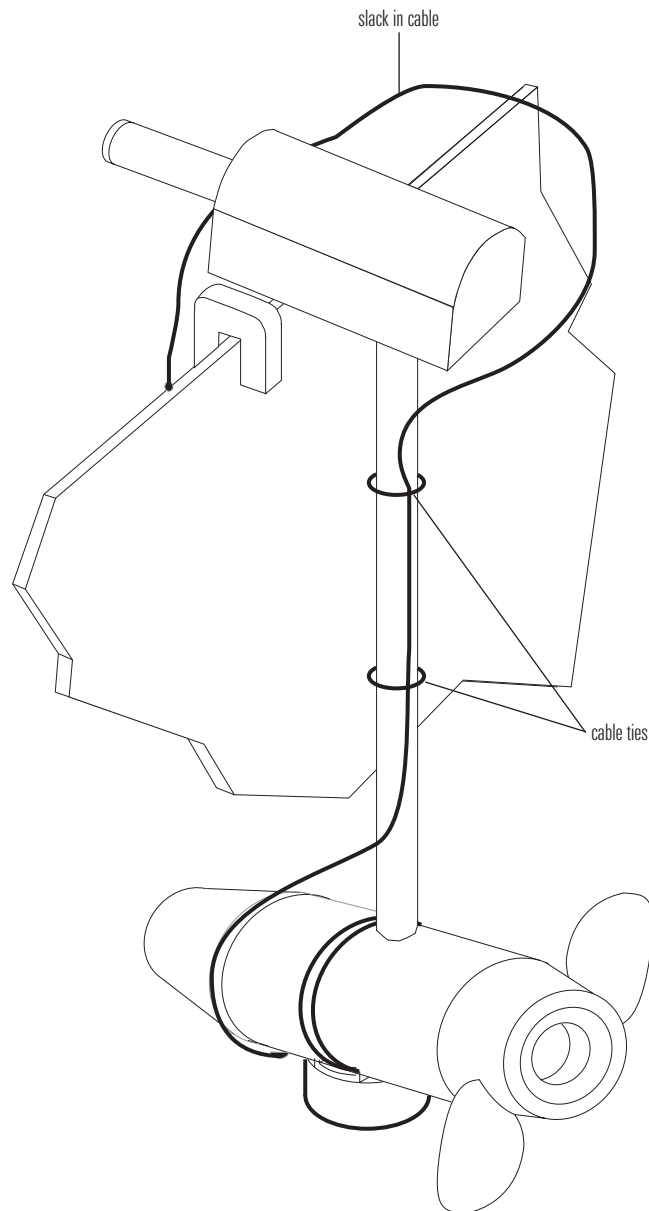
3. Route the Cable

As you route the cable from the trolling motor to the boat, it is important to secure the cable to the trolling motor shaft using the cable ties provided to prevent the cable from getting pinched or cut when the motor is stowed or deployed. As you route the cable to the control head, leave sufficient slack in the cable to allow for full movement and retraction of the trolling motor during normal operation.

NOTE: Your boat may have a pre-existing wiring channel or conduit that you can use for the transducer cable.

- Confirm the cable is long enough to accommodate the planned route.
- Route the transducer cable around the side of the motor housing and secure it to the motor shaft using the plastic cable ties which have been provided.
- Route the transducer cable to the control head.

Routing the Cable



CAUTION! Do not cut or shorten the transducer cable, and try not to damage the cable insulation. Route the cable as far as possible from any VHF radio antenna cables or tachometer cables to reduce the possibility of interference. If the cable is too short, extension cables are available to extend the transducer cable up to a total of 50' (15 m). Contact Humminbird Customer Service for details.

CAUTION! Do NOT mount the cables where the connectors could be submerged in water or flooded. If cables are installed in a splash-prone area, it may be helpful to apply dielectric grease to the inside of the connectors to prevent corrosion. Dielectric grease can be purchased separately from a general hardware or automotive store.

Excess Cable: If there is excess cable that needs to be gathered at one location, dress the cable routed from both directions so that a single loop is left extending from the storage location. Doubling the cable up from this point, form the cable into a coil. Storing excess cable using this method can reduce electronic interference.

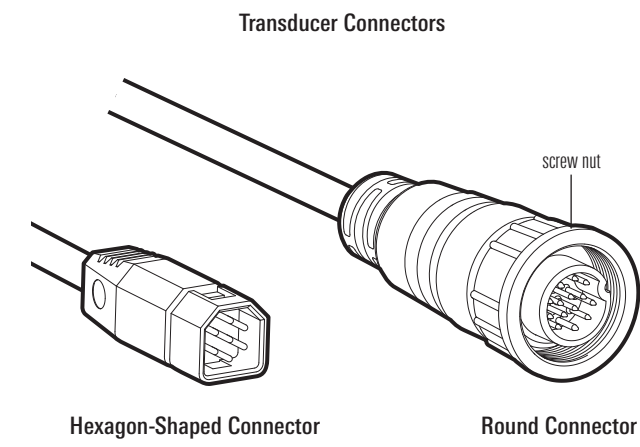
4. Connect the Cable

- Connect the transducer cable to the transducer port on the control head or the transducer slot on the cable tray (if applicable).

If the cable connector is round, hand-tighten the screw nut to secure the cable connection. **Hand-tighten only!**

NOTE: The cable connectors are labeled, and there are corresponding labels on the cable collector and control head. The connectors are keyed to prevent reversed installation, and insertion should be easy. Do not force the connectors into the ports.

NOTE: See your control head installation guide for details.



5. Test and Finish the Installation

When you have installed both the control head and the trolling motor transducer, and have routed all the cables, you must perform a final test to verify installation. Testing should be performed with the boat in water deeper than 2 feet. The transducer should be fully submerged because the sonar signal cannot pass through air (and air pinging can damage the transducer).

NOTE: Make sure the trolling motor is re-connected to the power source before performing this procedure.

- Power on the control head.
- Select a 2D sonar view to display on-screen.

If the bottom is visible on-screen with a digital depth readout, the transducer is working properly.

MAINTENANCE

If your transducer remains in the water for long periods of time, slush, algae and other marine growth can reduce the effectiveness of the transducer. Periodically clean the face of the transducer with a mild, marine-safe and plastic-safe soap or solution.

If your transducer remains out of the water for a long period of time, it may take some time to wet the transducer after it is returned to the water. Small air bubbles can cling to the surface of the transducer and interfere with proper operation. These bubbles will dissipate with time, or you may wipe the face of the transducer with your fingers after the transducer is in the water.

Important Notices

WARNING! The transducer must be fully submerged in water during operation because the sonar signal cannot pass through air. Air pinging can damage the transducer.

NOTE: Product specifications and features are subject to change without notice.

WARNING! Disassembly and repair of this electronic unit should only be performed by authorized service personnel. Any modification of the serial number or attempt to repair the original equipment or accessories by unauthorized individuals will void the warranty.

ENVIRONMENTAL COMPLIANCE STATEMENT: It is the intention of Johnson Outdoors Marine Electronics, Inc. to be a responsible corporate citizen, operating in compliance with known and applicable environmental regulations, and a good neighbor in the communities where we make or sell our products.

WEEE DIRECTIVE: EU Directive 2002/96/EC "Waste of Electrical and Electronic Equipment Directive (WEEE)" impacts most distributors, sellers, and manufacturers of consumer electronics in the European Union. The WEEE Directive requires the producer of consumer electronics to take responsibility for the management of waste from their products to achieve environmentally responsible disposal during the product life cycle.

WEEE compliance may not be required in your location for electrical & electronic equipment (EEE), nor may it be required for EEE designed and intended as fixed or temporary installation in transportation vehicles such as automobiles, aircraft, and boats. In some European Union member states, these vehicles are considered outside of the scope of the Directive, and EEE for those applications can be considered excluded from the WEEE Directive requirement.