

SAVE



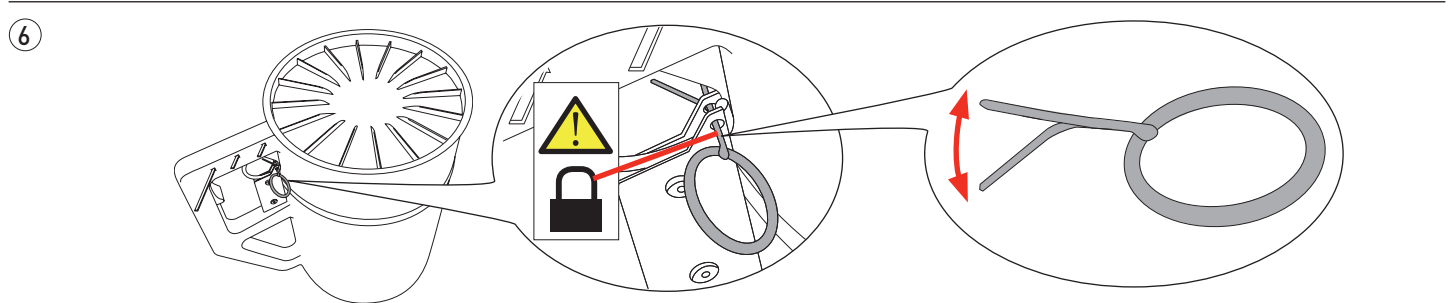
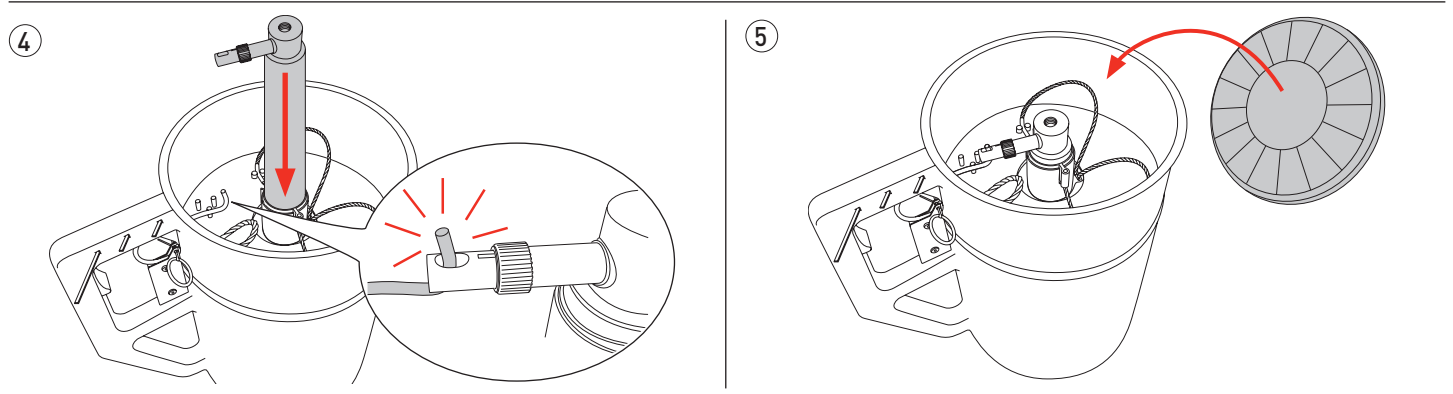
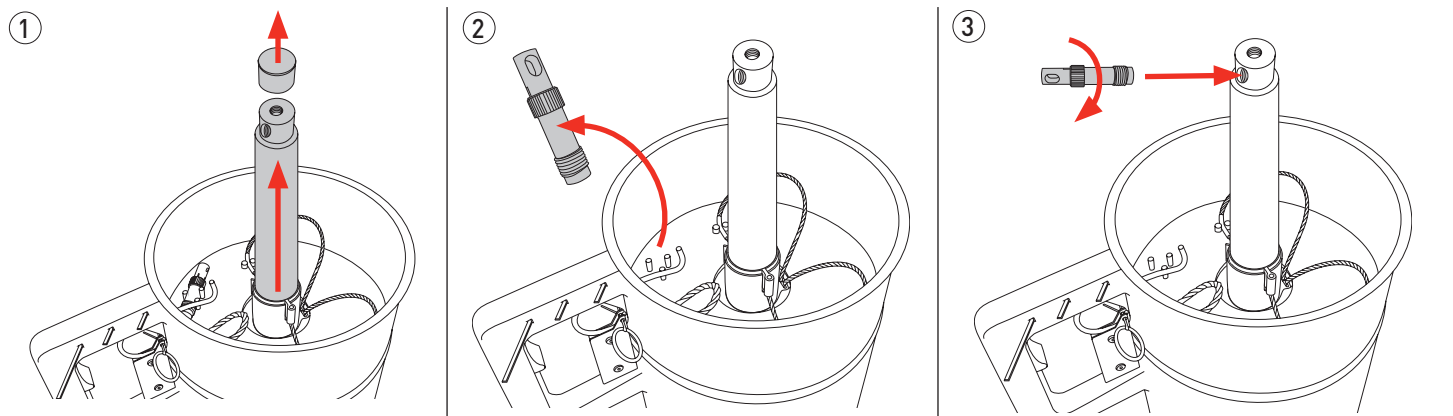
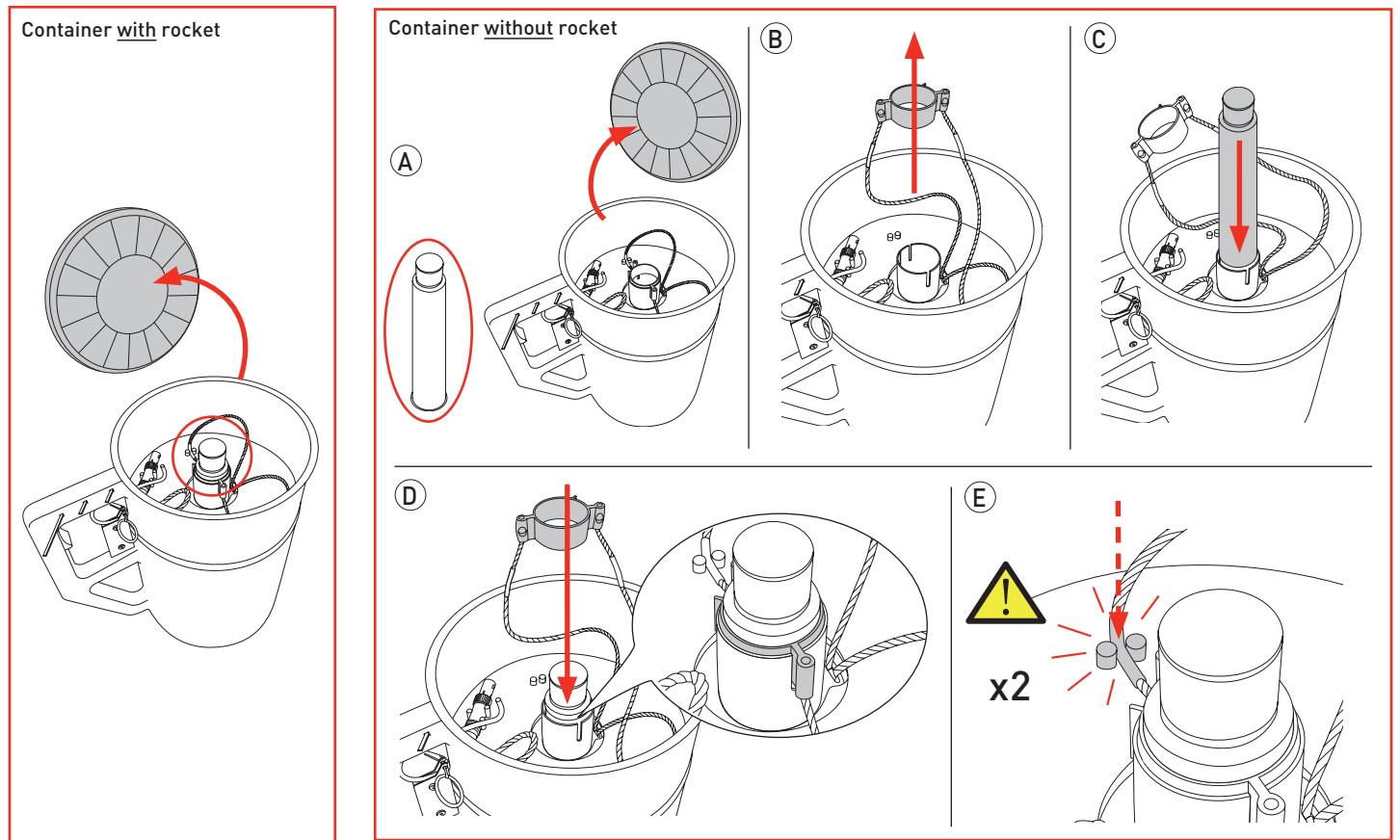
IKAROS

INSTRUCTIONS

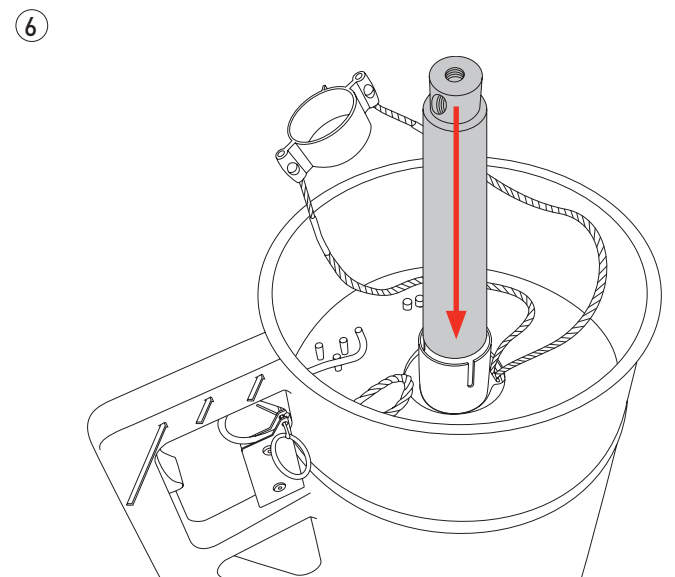
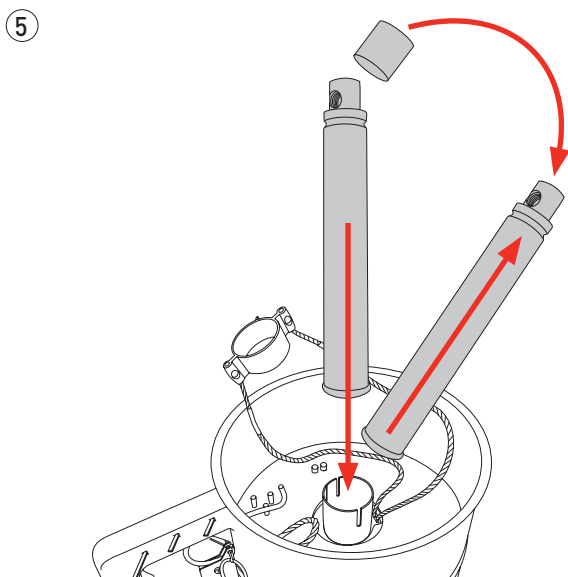
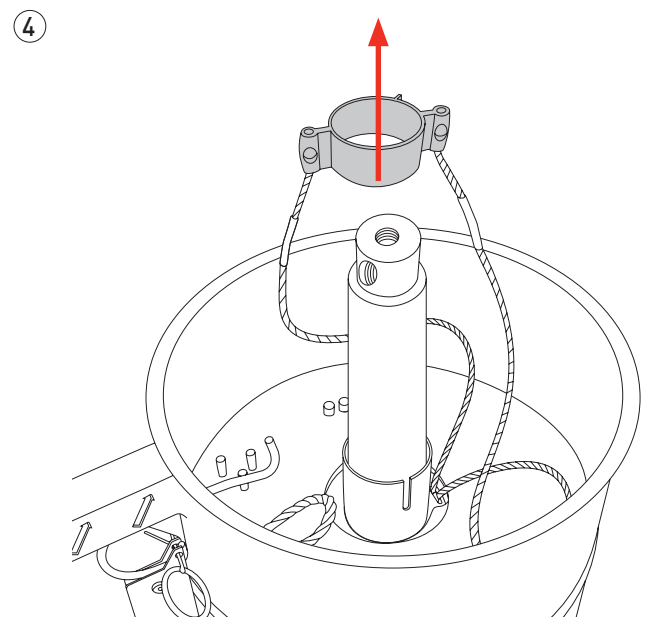
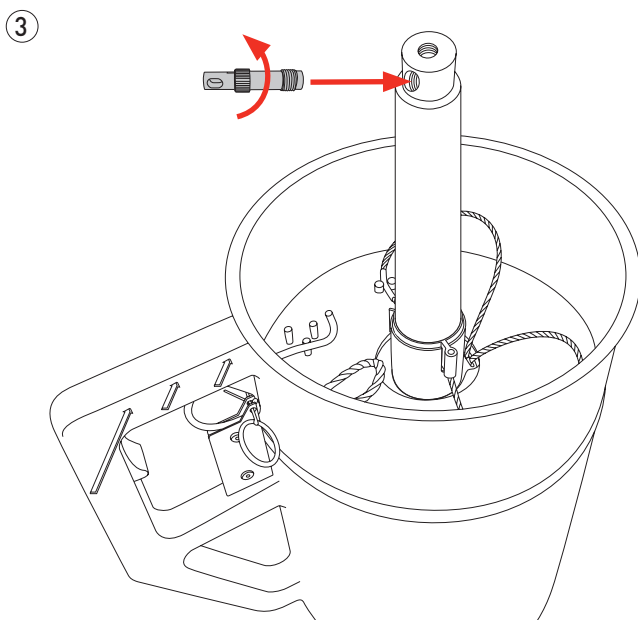
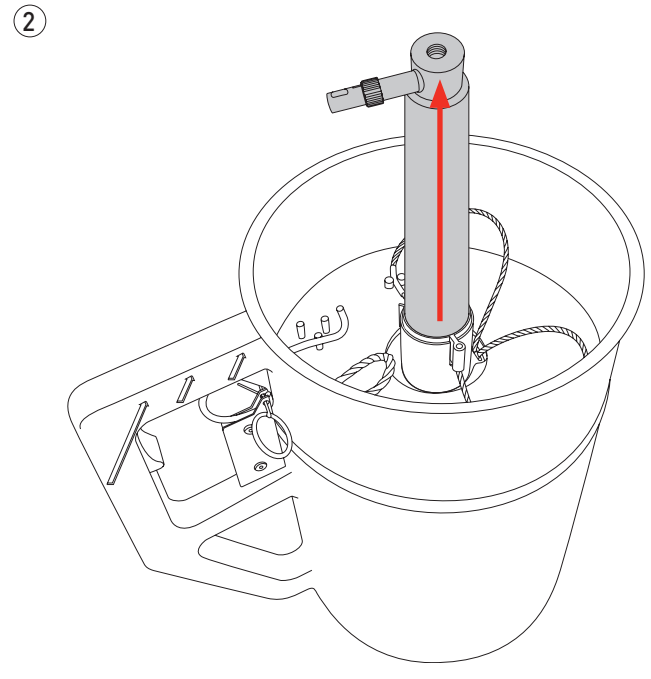
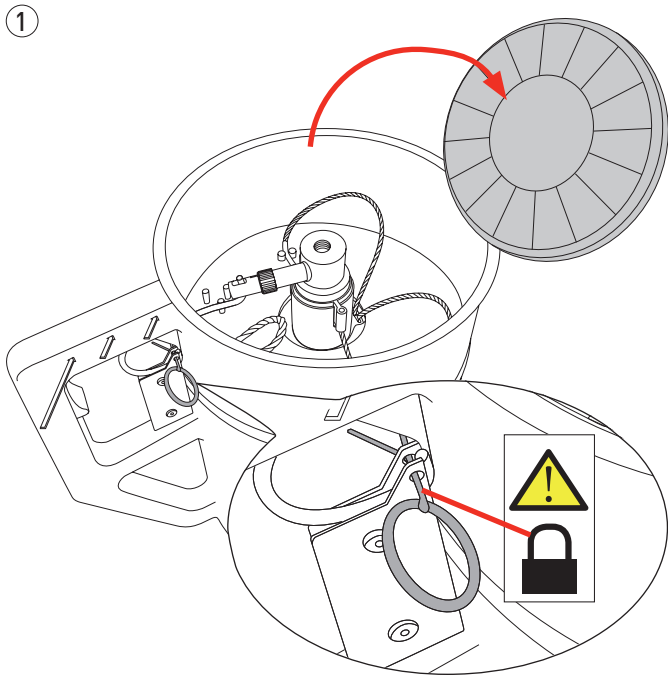
Arming the linethrower

Changing the rocket after expiry date

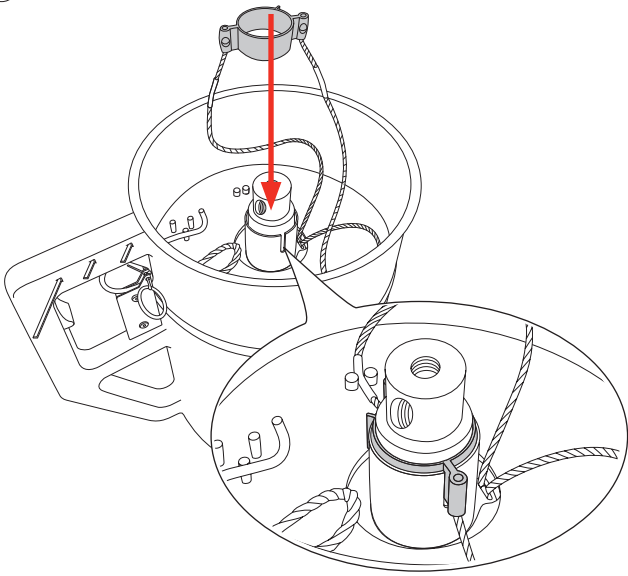
Arming



Replacement of expired rocket



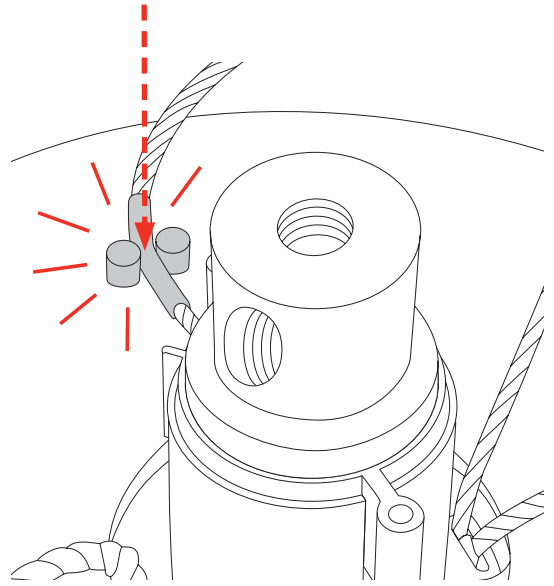
7



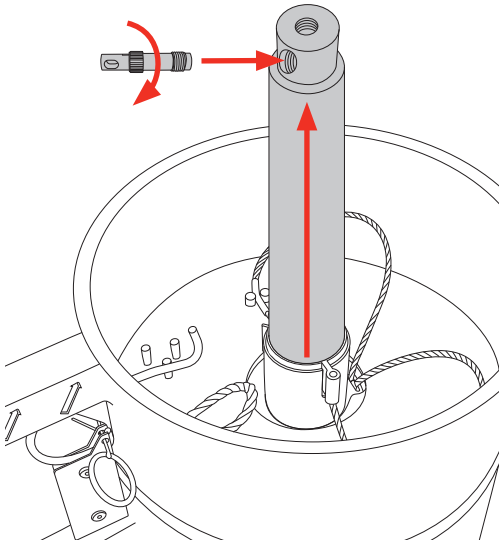
8



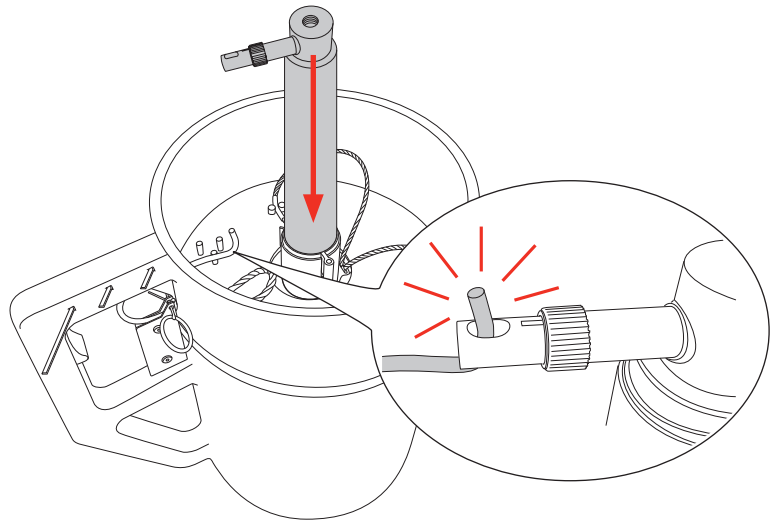
x2



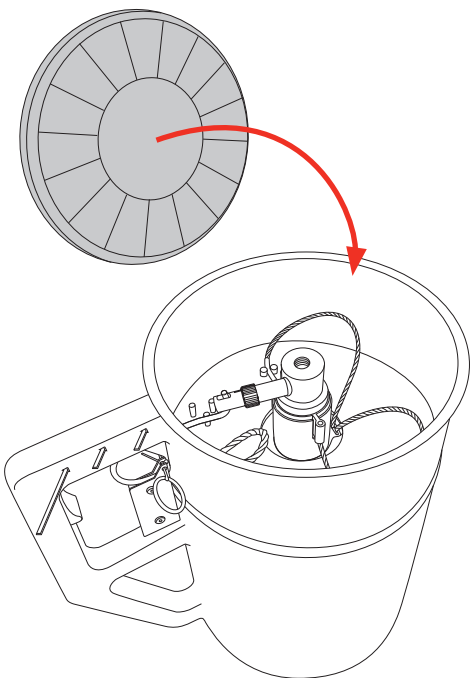
9



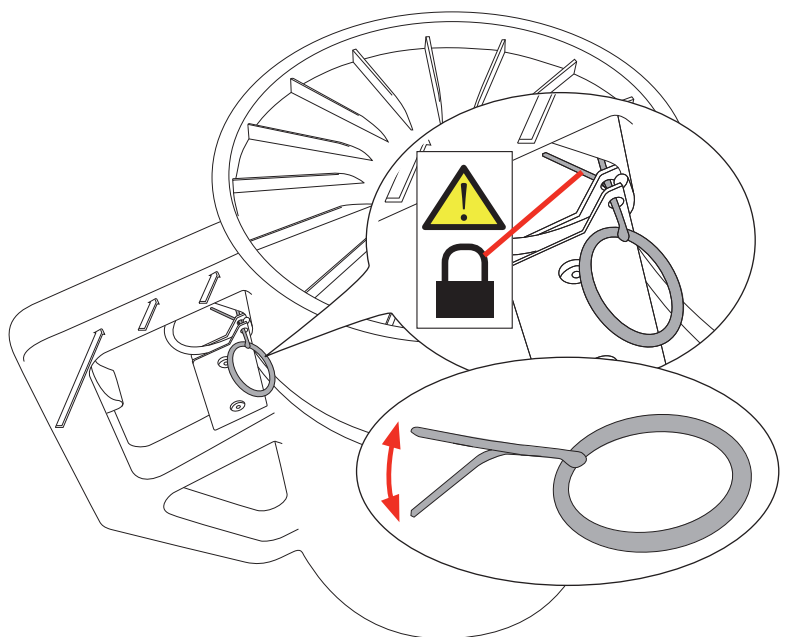
10



11



12





Our ref.:
Jessica Bergenström Karlsson

To who it may concern

We hereby inform that we have changed our routines regarding our IKAROS Linethrower. For better precision, remove the lid before you fire the Linethrower.



Kind Regards

Nammo LIAB-AB
Marketing

Lars Pihl
Senior director Marketing and Sales