

# INFINITY REFERENCE MARINE SPEAKERS

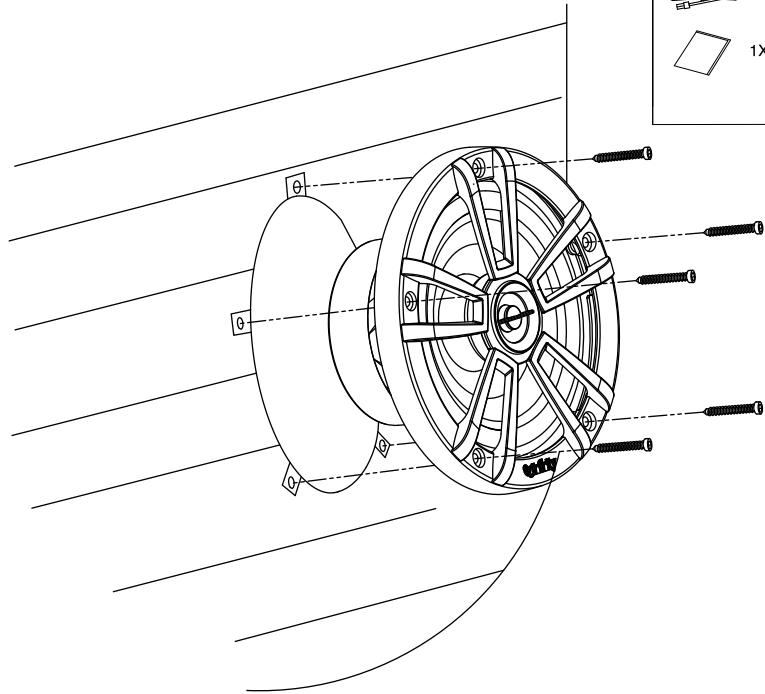
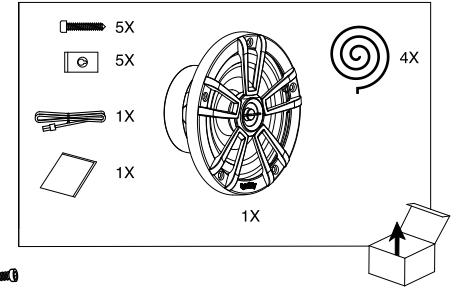
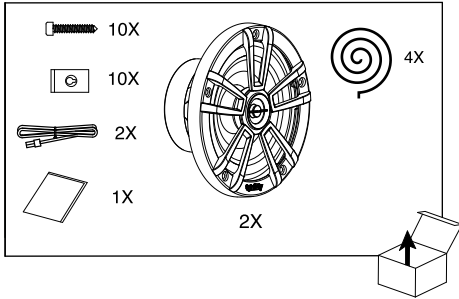


Marine Audio Multi-Element Speaker

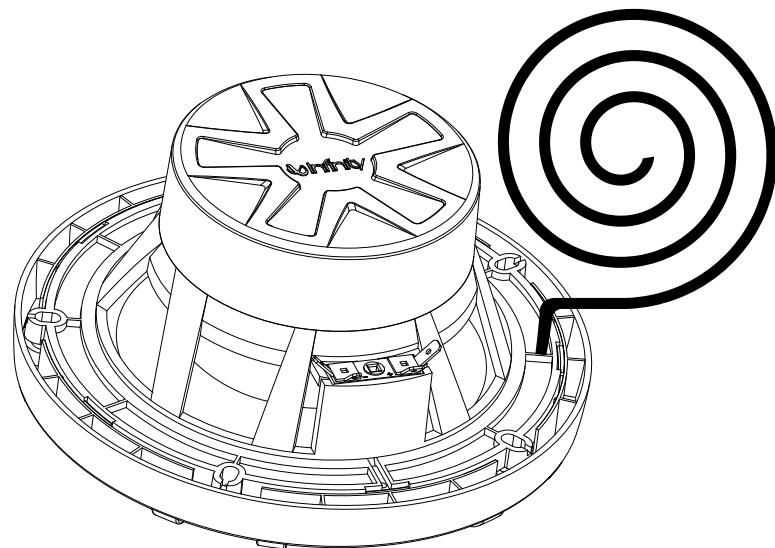
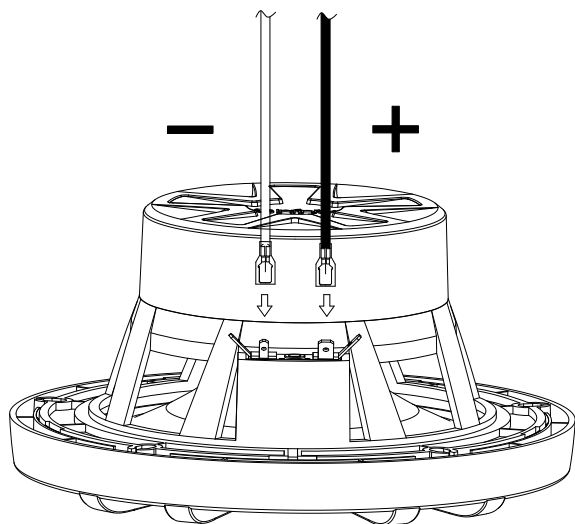
Installation manual

REFERENCE MARINE 622MLT  
REFERENCE MARINE 622MLW  
REFERENCE MARINE 822MLT  
REFERENCE MARINE 822MLW

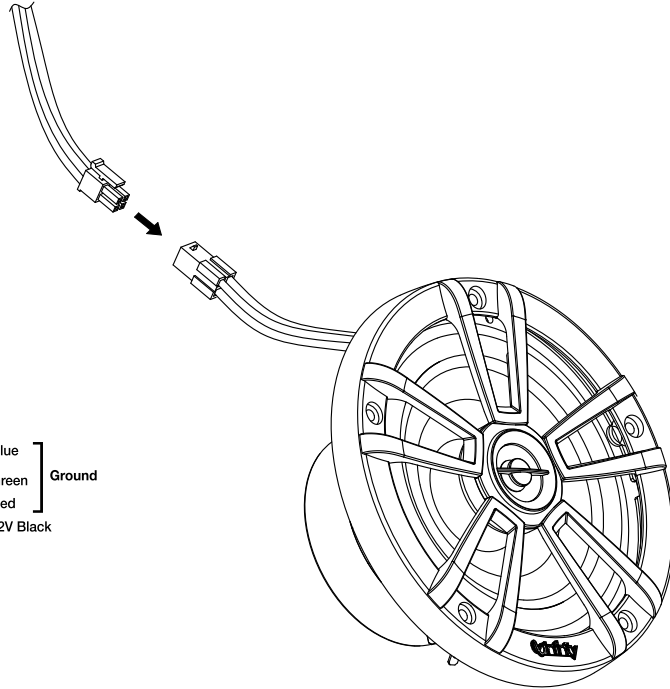
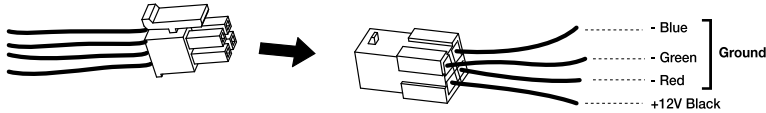
REFERENCE MARINE 1022MLT  
REFERENCE MARINE 1022MLW



REFERENCE MARINE 622MLT  
REFERENCE MARINE 622MLW  
REFERENCE MARINE 822MLT  
REFERENCE MARINE 822MLW  
REFERENCE MARINE 1022MLT  
REFERENCE MARINE 1022MLW



**REFERENCE MARINE 622MLT**  
**REFERENCE MARINE 622MLW**  
**REFERENCE MARINE 822MLT**  
**REFERENCE MARINE 822MLW**  
**REFERENCE MARINE 1022MLT**  
**REFERENCE MARINE 1022MLW**

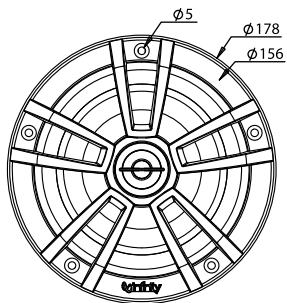
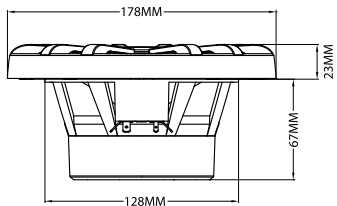


Lighting is controlled manually through hardwire connection, or with an external lighting controller (not included). When hard wiring the RGB lighting, the black lead is +12V and the Red/Green/Blue leads are ground (-). There are seven colors available through hardwire connection, depending on your wiring combination.

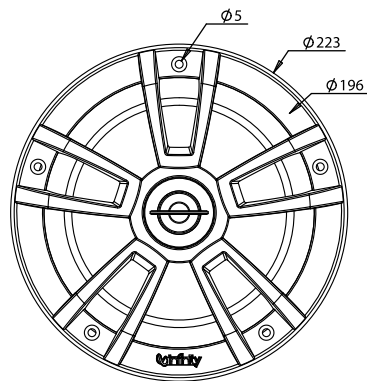
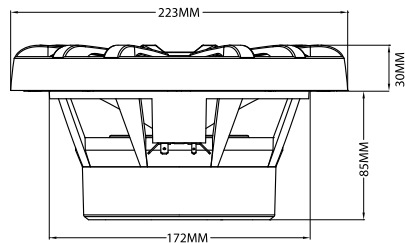
**Color Combinations:**

- +12V = Black
- (-) Red = Red
- (-) Green = Green
- (-) Blue = Blue
- (-) Red+Green = Yellow
- (-) Red+Blue = Purple
- (-) Blue+Green = Aquamarine
- (-) Red+Green+Blue = White

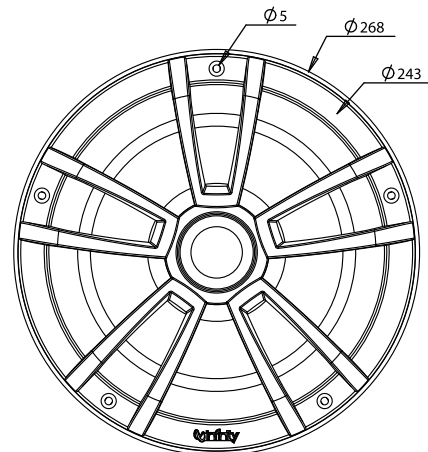
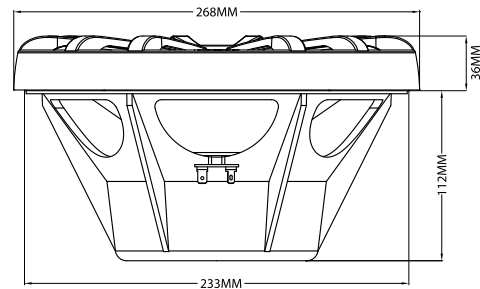
**REFERENCE MARINE 622MLT**  
**REFERENCE MARINE 622MLW**



**REFERENCE MARINE 822MLT**  
**REFERENCE MARINE 822MLW**



**REFERENCE MARINE 1022MLT**  
**REFERENCE MARINE 1022MLW**



SPECIFICATIONS	622MLT	622MLW	822MLT	822MLW	1022MLT	1022MLW
Type	6-1/2" (160mm) two-way marine audio multi-element speaker (titanium)	6-1/2" (160mm) two-way marine audio multi-element speaker (white)	8" (200mm) two-way marine audio multi-element speaker (titanium)	8" (200mm) two-way marine audio multi-element speaker (white)	10" (250mm) marine audio multi-element subwoofer (titanium)	Subwoofer multi-éléments audio marine 250 mm (10") (titane)
Continuous Power Handling	75W	75W	150W	150W	250W	250W
Peak Power Handling	225W	225W	450W	450W	750W	750W
Frequency Response	50Hz - 20kHz	50Hz - 20kHz	30Hz - 20kHz	30Hz - 20kHz	25Hz - 500Hz	25Hz - 500Hz
Nominal Impedance	4-Ohm	4-Ohm	4-Ohm	4-Ohm	4-Ohm	4-Ohm
Sensitivity (2.83V/1m)	92dB	92dB	92dB	92dB	89dB	89dB
External diameter	7-1/16" (178 mm)	7-1/16" (178 mm)	8-13/16" (223 mm)	8-13/16" (223 mm)	10-9/16" (268 mm)	10-9/16" (268 mm)
Mounting cutout diameter	5-1/16" (128 mm)	5-1/16" (128 mm)	6-13/16" (172 mm)	6-13/16" (172 mm)	9-3/16" (233 mm)	9-3/16" (233 mm)
Mounting depth	2-11/16" (67 mm)	2-11/16" (67 mm)	3- 3/8" (85 mm)	3- 3/8" (85 mm)	4-7/16" (112 mm)	4-7/16" (112 mm)

SPECIFICATIONS	622MLT	622MLW	822MLT	822MLW	1022MLT	1022MLW
BL (Tm)	5.69	5.69	8.16	8.16	10.22	10.22
DCR (ohms)	3.6	3.6	3.6	3.6	3.6	3.6
Mms (g)	12.27	12.27	28.65	28.65	84.37	84.37
Sd (cm <sup>2</sup> )	122.72	122.72	201.06	201.06	363.05	363.05
Cms (µm/N)	328	328	278	278	237	237
Vas (l)	6.95	6.95	15.81	15.81	43.85	43.85
Fs (Hz)	79.30	79.30	56.36	56.36	35.60	35.60
Qes	0.67	0.67	0.58	0.58	0.57	0.57
Qms	11.16	11.16	7.42	7.42	6.05	6.05
Qts	0.63	0.63	0.54	0.54	0.52	0.52
Crossover Point	3.5kHz	3.5kHz	3.0kHz	3.0kHz	NA	NA